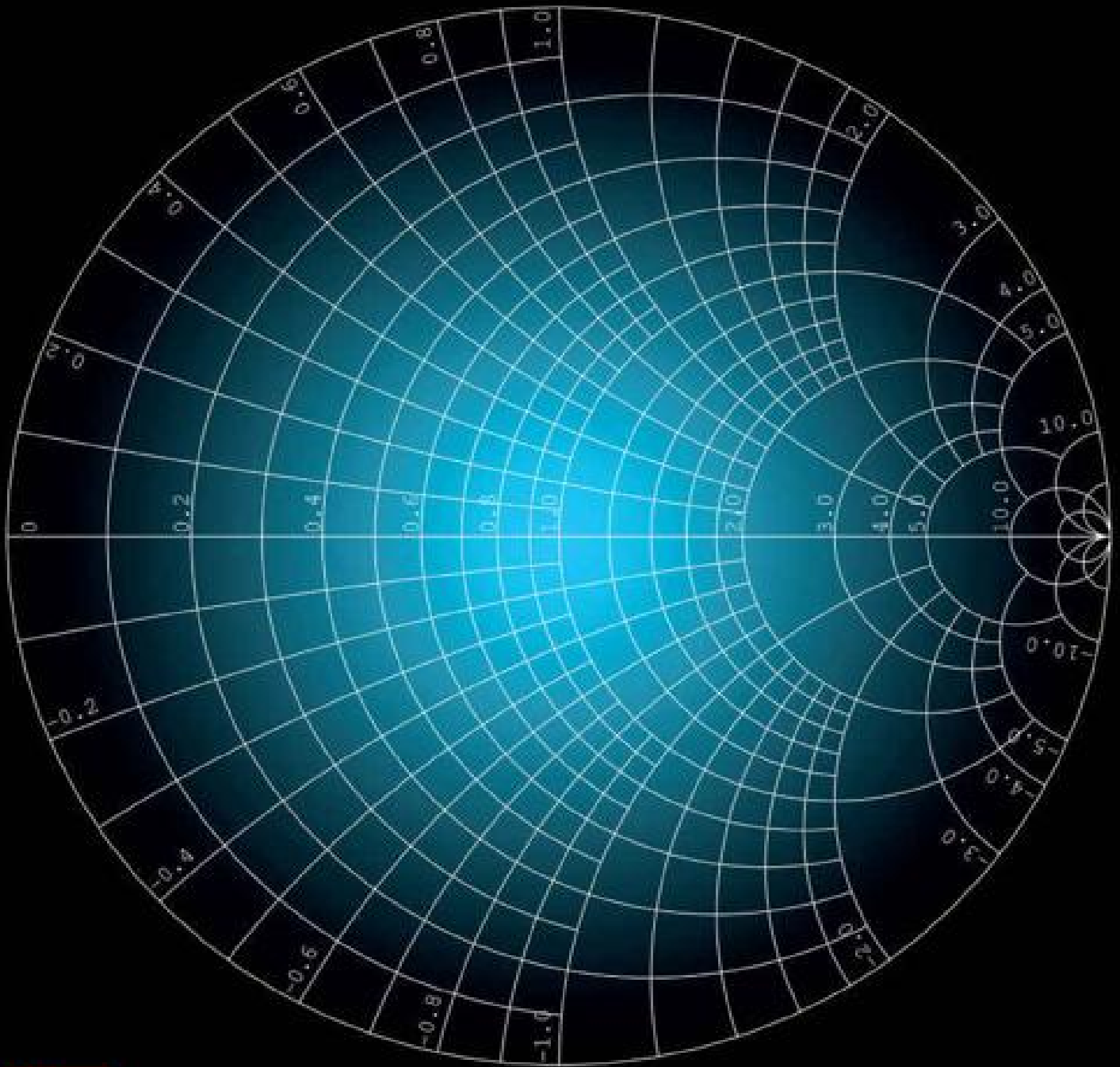


PRINCIPLES OF

FIFTH EDITION

ELECTRONIC COMMUNICATION SYSTEMS



LOUIS E. FRENZEL JR.

Principles of Electronic page i Communication Systems

Fifth Edition

Louis E. Frenzel Jr.



PRINCIPLES OF ELECTRONIC COMMUNICATION SYSTEMS, FIFTH EDITION

Published by McGraw Hill LLC, 1325 Avenue of the Americas, New York, NY 10019. Copyright © 2023 by McGraw Hill LLC. All rights reserved. Printed in the United States of America. Previous editions © 2016, 2008, and 2003. No part of this publication may be reproduced or distributed in any form or by any means, or stored in a database or retrieval system, without the prior written consent of McGraw Hill LLC, including, but not limited to, in any network or other electronic storage or transmission, or broadcast for distance learning.

Some ancillaries, including electronic and print components, may not be available to customers outside the United States.

This book is printed on acid-free paper.

1 2 3 4 5 6 7 8 9 LKV 27 26 25 24 23 22

ISBN 978-1-259-93279-3 (bound edition)

MHID 1-259-93279-6 (bound edition)

ISBN 978-1-260-78935-5 (loose-leaf edition)

MHID 1-260-78935-7 (loose-leaf edition)

Portfolio Manager: *Beth Bettcher*

Product Developer: *Beth Baugh*

Marketing Manager: *Lisa Granger*

Content Project Managers: *Jeni McAtee, Samantha Donisi*

Buyer: *Laura Fuller*

Designer: *Beth Blech*

Content Licensing Specialist: *Lorraine Buczek*
Cover Image: *Audrius Merfeldas/Shutterstock*
Compositor: *Aptara® , Inc.*

All credits appearing on page or at the end of the book are considered to be an extension of the copyright page.

Library of Congress Cataloging-in-Publication Data

Names: Frenzel, Louis E., Jr., 1938- author.

Title: Principles of electronic communication systems / Louis E Frenzel.

Description: Fifth edition. | New York, NY : McGraw Hill Education, 2022. | Includes index.

Identifiers: LCCN 2020024475 (print) | LCCN 2020024476 (ebook) | ISBN 9781260789355 (spiral bound) | ISBN 9781259932793 | ISBN 9781260789362 (ebook other)

Subjects: LCSH: Telecommunication—Textbooks. | Wireless communication systems—Textbooks.

Classification: LCC TK5101 .F664 2022 (print) | LCC TK5101 (ebook) | DDC 621.382—dc23

LC record available at <https://lcn.loc.gov/2020024475>

LC ebook record available at
<https://lcn.loc.gov/2020024476>

The Internet addresses listed in the text were accurate at the time of publication. The inclusion of a website does not indicate an endorsement by the authors or McGraw Hill LLC, and McGraw Hill LLC does not guarantee the accuracy of the information presented at these sites.

mheducation.com/highered

Preface ix

Chapter 1 Introduction to Electronic Communication 1

- 1-1** The Significance of Human Communication 3
- 1-2** Communication Systems 3
- 1-3** Types of Electronic Communication 5
- 1-4** Modulation and Multiplexing 8
- 1-5** The Electromagnetic Spectrum 12
- 1-6** Bandwidth 18
- 1-7** A Survey of Communication Applications 21
- 1-8** Jobs and Careers in the Communication Industry 23

Chapter 2 Electronic Fundamentals for Communications 31

- 2-1** Gain, Attenuation, and Decibels 32
- 2-2** Tuned Circuits 42

- 2-3 Filters 57
- 2-4 Fourier Theory 79

Chapter 3 Amplitude Modulation Fundamentals 94

- 3-1 AM Concepts 95
- 3-2 Modulation Index and Percentage of Modulation 97
- 3-3 Sidebands and the Frequency Domain 100
- 3-4 AM Power 106
- 3-5 Single-Sideband Modulation 110
- 3-6 Current AM/ASK Radio Usage 114
- 3-7 Classification of Radio Emissions 115

Chapter 4 Amplitude Modulator and Demodulator Circuits 119

- 4-1 Basic Principles of Amplitude Modulation 120
- 4-2 Amplitude Modulators 123
- 4-3 Amplitude Demodulators 131
- 4-4 Balanced Modulators 138
- 4-5 SSB Circuits 143

Chapter 5 Fundamentals of Frequency Modulation 150

- 5-1** Basic Principles of Frequency Modulation 151
- 5-2** Principles of Phase Modulation 153
- 5-3** Modulation Index and Sidebands 156
- 5-4** Noise Suppression Effects of FM 165
- 5-5** Frequency Modulation Versus Amplitude Modulation 169

Chapter 6 FM Circuits 174

- 6-1** Frequency Modulators 175
- 6-2** Phase Modulators 181
- 6-3** Frequency Demodulators 184
- 6-4** FSK Circuits 188

Chapter 7 Digital Communication Techniques 194

- 7-1** Digital Transmission of Data 195
- 7-2** Parallel and Serial Transmission 196
- 7-3** Data Conversion 199
- 7-4** Pulse Modulation 224
- 7-5** Digital Signal Processing 228

Chapter 8 Radio Transmitters 237

- 8-1** Transmitter Fundamentals 238
- 8-2** Carrier Generators 242

- 8-3** Power Amplifiers 260
- 8-4** Impedance-Matching Networks
278
- 8-5** Typical Transmitter Circuits 287

Chapter 9

Communication Receivers 291

- 9-1** Basic Principles of Signal
Reproduction 292
- 9-2** Superheterodyne Receivers 295
- 9-3** Frequency Conversion 297
- 9-4** Intermediate Frequency and
Images 306
- 9-5** Noise 311
- 9-6** Typical Receiver Circuits 323
- 9-7** Typical Receivers and
Transceivers 332

Chapter 10

Digital Data Transmission 340

- 10-1** Digital Codes 341
- 10-2** Principles of Digital
Transmission 343
- 10-3** Transmission Efficiency 350
- 10-4** Modem Concepts and Methods
355
- 10-5** Wideband Modulation 370
- 10-6** Broadband Modem Techniques
379

- 10-7** Error Detection and Correction 383
- 10-8** Protocols 393

Chapter 11 Multiplexing, Duplexing, and Multiple Access 401

- 11-1** Multiplexing Principles 402
- 11-2** Frequency-Division Multiplexing 403
- 11-3** Time-Division Multiplexing 408
- 11-4** Pulse-Code Modulation 415
- 11-5** Multiple Access 421
- 11-6** Duplexing 424

Chapter 12 Digital and Software-Defined Radios 428

- 12-1** Defining the Digital and Software-Defined Radios 429
- 12-2** Making SDR Possible 430
- 12-3** Replacing Analog Functions with Digital Processes 431
- 12-4** The Benefits of SDRs 431
- 12-5** Software-Defined Radio: Receivers 432
- 12-6** Software-Defined Radio: Transmitters 434
- 12-7** A Survey of Software-Defined Radios 435
- 12-8** Cognitive Radios 442

Chapter 13 Transmission Lines 445

- 13-1** Transmission Line Basics 446
- 13-2** Standing Waves 459
- 13-3** Transmission Lines as Circuit Elements 468
- 13-4** The Smith Chart 473

Chapter 14 Fundamentals of Networking, Local-Area Networks, and Ethernet 486

- 14-1** Network Fundamentals 487
- 14-2** LAN Hardware 495
- 14-3** Ethernet LANs 502
- 14-4** Advanced Ethernet 511
- 14-5** Special Ethernet Variations 513

Chapter 15 Wired Data Communications 518

- 15-1** Rationale for Serial I/O 519
- 15-2** Serial I/O Applications 520
- 15-3** Low-Speed Serial Interfaces 521
- 15-4** High-Speed Serial Interfaces 526

Chapter 16 Antennas and Wave Propagation 530

- 16-1** Antenna Fundamentals 531
- 16-2** Common Antenna Types 539
- 16-3** Radio Wave Propagation 562

Chapter 17 Internet Technologies 580

- 17-1** Internet Applications 581
- 17-2** Internet Transmission Systems 583
- 17-3** Cloud Networking and Virtual Systems 599
- 17-4** Storage-Area Networks 601
- 17-5** Internet Security 604
- 17-6** Internet Telephony 609

Chapter 18 Microwave and Millimeter-Wave Communication 614

- 18-1** Microwave Concepts 615
- 18-2** Microwave Transmission Lines and Devices 622
- 18-3** Waveguides and Cavity Resonators 632
- 18-4** Microwave Semiconductor Diodes 641
- 18-5** Microwave Tubes 644
- 18-6** Microwave Antennas 648
- 18-7** Microwave and Millimeter-Wave Applications 668

Chapter 19 Satellite Communication 681

- 19-1** Satellite Orbits 682
- 19-2** Satellite Communication Systems 689
- 19-3** Satellite Subsystems 693
- 19-4** Ground Stations 698
- 19-5** Satellite Applications 702
- 19-6** Global Navigation Satellite Systems 707

Chapter 20 Optical Communication 718

- 20-1** Optical Principles 719
- 20-2** Optical Communication Systems 723
- 20-3** Fiber-Optic Cables 728
- 20-4** Optical Transmitters and Receivers 740
- 20-5** Wavelength-Division Multiplexing 755
- 20-6** Passive Optical Networks 757
- 20-7** 400-Gbps Networks and Beyond 760

Chapter 21 Cell Phone Technologies 769

page vii

- 21-1** Cellular Telephone Systems 770

- 21-2** A Cellular Industry Overview 772
- 21-3** 2G and 3G Digital Cell Phone Systems 774
- 21-4** Long-Term Evolution and 4G Cellular Systems 776
- 21-5** Fifth-Generation Wireless Cellular 784
- 21-6** Smartphone Analysis 786
- 21-7** Base Stations and Small Cells 789

Chapter 22 Wireless Technologies 800

- 22-1** Wireless LAN 801
- 22-2** Bluetooth 808
- 22-3** ZigBee and Mesh Wireless Networks 810
- 22-4** Radio-Frequency Identification and Near-Field Communications 813
- 22-5** Ultrawideband Wireless 817
- 22-6** Optional Wireless Technologies 820
- 22-7** Internet of Things 823

Chapter 23 Communication Tests and Measurements 829

- 23-1** Communication Test Equipment 830

- 23-2** Common Communication Tests
849
- 23-3** Troubleshooting Techniques 867
- 23-4** Electromagnetic Interference
Testing 871

Answers to Selected Problems 881

Appendix A 883

Appendix B 885

Appendix C 887

Glossary 889

Index 909

**Mc
Graw
Hill
Education**

5011111

To Instructors

This new fifth edition of the *Principles of Electronic Communication Systems* has been fully reviewed and updated. A book such as this needs revision frequently as the technology changes continually. Of course, the fundamentals of electronics communications do not change. However, the ways these principles are applied do change occasionally. During the past five years since the introduction of the previous fourth edition, some major changes and additions have taken place. Most of these changes are important to those of you teaching communications technology and for those of you who are out looking for work in this field. A high percentage of the new jobs involves the most recent developments.

As a writer and editor for a major electronics magazine, I am able to keep up on all the new products and technologies by way of continuous monitoring and interacting with the industries and companies that design, manufacture, and apply the new equipment. Keeping track of all of this is a full-time job.

This new version of the book is a balance of standard fundamentals and principles plus an introduction to the most recent and relevant products and technologies. It also incorporates the suggestions that some of you have provided, for which I am grateful. Here are the highlights of this new edition. Note most of the chapter sequences and

numbers have changed and two new chapters (12 and 15) have been added.

- Chapters 1 through 7 are pretty much the same. Fundamentals do not change much, although these chapters were edited and updated.
- Chapters 8 and 9 on transmitters and receivers also remain pretty much the same except for minor updates. Also, some material from these chapters has been moved to the new Chapter 12 covering software-defined radios (SDRs).
- Chapters 10 and 11 have been reversed. It is important to cover the digital fundamentals before diving into multiplexing. Heavy edit.
- Chapter 12 is a new chapter covering software-defined radios.
- Chapter 13 on transmission lines has been updated.
- Chapter 14 on networking has been updated with enhancements to the Ethernet coverage.
- Chapter 15 is a totally new chapter that covers popular wired communication techniques and serial interfaces. Wire or cable, it's still a major form of communications.
- Chapter 16 on antennas and propagation has been updated.
- Chapter 17 on Internet technologies has been revised to include topics such as Internet telephony, virtualization, and cloud usage.
- Chapter 18 on microwaves and millimeter waves has been enhanced with increased coverage of relevant antenna technology such as MIMO and agile beam-forming phased arrays.

- Chapter 19 on satellites has been updated with new GPS information and other new material.
- Chapter 20 on optical technology received minor updating.
- Chapter 21 on the cellular technologies is page x virtually all new. LTE coverage has been updated and expanded. Full coverage of the new 5G New Radio standard and systems has been added.
- Chapter 22, covering the various popular short-range wireless technologies, has been extensively updated adding new Bluetooth (LE) and Wi-Fi 6 (802.11ax) versions. The Internet of Things (IoT) material has been increased and the full spectrum of new wireless standards and methods has been added.
- Chapter 23 on test and measurement has been updated with new instruments and methods. The addition of VNAs and S-parameters was overdue.

You will notice that I omitted mention of one chapter: previous Chapter 18 on telecommunications. This chapter covered legacy telephones and telephone systems. Wired telephones have been fading away for years, and today most people use only their cell phones. In fact, in many locations throughout the United States, local loop-wired telephone service is no longer available. Further, telephone companies are gradually sunsetting their wired service and putting most of their investments into the buildout of their wireless systems, especially the new 5G NR services. Employment opportunities in the wired telecom field have mostly disappeared. I felt it best to use the available space in this textbook on the more up-to-date technologies. Some of the more useful telecom material has been incorporated into other chapters as appropriate.

I have continued with the end-of-chapter Online Activities. It is essential that all of you who use this book know that there is more communications and wireless knowledge and information out there than you can ever absorb. A good Internet search is essential if you ever want to dig deeper or to look more broadly at any given subject. The topics I chose reflect current trends and applications.

I have tried to edit out the older discrete component circuits where appropriate and replace them with the equivalent IC devices used today. I have left in discussion of some popular discrete component circuits where they are still used. I know some of you still like to teach the older circuits. That's fine if you do, but you may want to point out that the real world uses more ICs as well as complete systems on a chip (SoC).

A mixed bag of new appendices has also been included. These are informational pieces on subjects that do not fit conveniently into the main chapters. Hopefully you will find them useful.

Before I conclude, let me give you my view of where the industry and technology are headed. These are not only the trends and developments I see but also what the market analysts and company CEOs are saying and thinking. Hopefully this will give you clues as to how to slant your course coverage and better target what graduates really need to know to get hired today. It is easy to fall into a pattern of teaching the same things repeatedly each semester as it is easier to proceed with previously developed materials than it is to add new relevant material. Don't be one of those who does a good job of teaching the history of communications but ignores the movements and emphasis that is needed out in the real world. The fundamentals are important and you must continue to teach them but also shift the emphasis as needed and add new material regularly. I hope this revised edition will help with that effort. Yes, I have taught this before so know there is

always more material to cover than there is time to include it.

Macro Trends

- 1.** The emphasis today is on systems more than on individual components and circuits. Engineers and technicians work with the end equipment, related modules, and subassemblies and not so much so with components. While you teach the components, put the focus on the application, including the related equipment, module, PCB or IC. A good approach is to use more block diagrams and signal flow discussions. Give the big picture or, as they say, the 10,000-ft view.
- 2.** Most new comm and wireless equipment today page xi operates at the microwave or millimeter-wave frequencies. Remember microwaves begin at 1 GHz. So common things like Bluetooth, ZigBee, satellite TV, and GPS are all microwave devices. Low-frequency gear is still around, of course, but virtually all new applications and equipment operate at frequencies from the 5-GHz 802.11ax Wi-Fi to the single-chip auto radars at 77 GHz. Most of the new 5G cellular gear operates in the range from 1 GHz to 6 GHz with all the new mmWave systems using the 28-, 37-, 39-GHz to 47-GHz bands. Electronics and communications at these frequencies are different. Start shifting your teaching emphasis to those components and circuits that work at those frequencies.
- 3.** What engineers and techs do all day is fuss with test gear. You must teach test and measurement. While the scope is still a prominent bench instrument, today the more useful RF instruments are the spectrum analyzer, vector network analyzer, and RF signal emulators and generators. I am sure you know that these instruments are extremely expensive. Few if any college labs can

afford them, but do work toward acquiring them. Buy used, borrow, or rent if you can so that you can give students at least some short lab experiences with them. And lectures and demos are better than nothing.

4. Add coverage of electromagnetic compatibility (EMC) and electromagnetic interference (EMI). There is so much wireless floating around out there that interference and coexistence of technologies have become problems. A major part of a wireless engineer's or technician's work is tracking down EMI and eliminating or minimizing it. This is another topic that requires specialized test gear.
5. Finally, make students realize that virtually every phase of communications and wireless is heavily regulated. Make sure they know about the FCC and NTIA, the spectrum issues, and all of the rules and regulations in the CFR 47 Parts 0-99, especially Parts 15 and 18. And mention all of the standards bodies and industry alliances. These often hidden or ignored organizations control the whole technology and industry and are dynamite sources of information.

Thanks for continuing to use this text. Let me and/or McGraw Hill know if you find any errors or if you wish to suggest additional or revised coverage.

To Students

This book is loaded with information. As you will probably discover, the course you are taking will probably not cover all the chapters as it is too much to include in one semester. Here are some of suggestions to help you make it through the course.

This book assumes that you have had some prior course or training in electronics. Most of you will have had the prerequisites in one or more college courses or acquired this knowledge in military service or company training

programs. Even self-study is a valid way to learn the fundamentals.

Then again, you may not have had any electronics background. If that is the case, you may want to get that background education before continuing here.

If you have had some basic electronics background but it has been a while since you have acquired it, you have probably forgotten much of this knowledge. One recommended solution is to keep one or more electronics fundamentals books around so you can look up what you forgot or never learned. Chapter 2 in this book covers much of what you probably learned in an AC Circuits course that should expedite your learning. My own McGraw Hill textbook, *Contemporary Electronics, Fundamentals, Devices, Circuits and Systems*, covers all that you should know.

Check out the book list in Appendix A that recommends those books I found to be helpful.

As it has turned out, the communications sector is page xii the largest part of the U.S. electronics industry. Because of that, many jobs are available. Taking this course and finishing your education should provide you with enough credentials to get one of those communications jobs. If you get one of those jobs, you may want to keep this textbook as a reference as you may need it occasionally. Anyway, good luck with the course, your education, and job search. Here's to your coming success.

Lou Frenzel

Acknowledgments

My special thanks to McGraw Hill portfolio manager Beth Bettcher for her continued support and encouragement to make this new edition possible. Thanks also to Beth Baugh and the other helpful McGraw Hill support staff, including Jeni McAtee and Alyson Platt. It has been a pleasure to work with all of you.

I also want to thank Nancy Friedrich of *Microwaves & RF* magazine and Bill Baumann from *Electronic Design* magazine, both of Penton Media Inc. (Now Endeavor Business Media), for permission to use sections of my articles in updating chapters 20 and 21.

My appreciation also goes out to those professors who reviewed the book and offered their feedback, criticism, and suggestions. Thanks for taking the time to provide that valuable input. I have implemented most of their recommendations. The following reviewers provided a wealth of good suggestions for the new edition:

John Bosshard

Texas A&M University

William I. Dolan

Kennebec Valley Community College

Byron Garry

South Dakota State University

Venkata Khambhammettu

ECPI University, Virginia Beach

Mervin Moats Jr.

Central Carolina Community College

Prentice Tyndall

Pitt Community College

With the latest input from industry and the suggestions from those who use the book, this edition should come closer than ever to being an ideal textbook for teaching current day communications electronics.

Lou Frenzel

Guided Tour

Learning Features

The fifth edition of *Principles of Electronic Communication Systems* retains the popular learning elements featured in previous editions. These include:

Electronic Fundamentals for Communications

Chapter Introduction

Each chapter begins with a brief introduction setting the stage for what the student is about to learn.

To understand communication electronics as presented in this book, you need a knowledge of certain basic principles of electronics, including the fundamentals of alternating-current (ac) and direct-current (dc) circuits, semiconductor operation and characteristics, and basic electronic circuit operation (amplifiers, oscillators, power supplies, and digital logic circuits). Some of the basics are particularly critical to understanding the chapters that follow. These include the expression of gain and loss in decibels, LC-tuned circuits, resonance and filters, and Fourier theory. The purpose of the chapter is to briefly review all these subjects. If you have studied the material before, it will anyway serve as a review and reference. If, because of your own school or the school's curriculum, you have not previously covered the material, use this chapter to learn the necessary information before you continue.

Chapter Objectives

Chapter Objectives provide a concise statement of expected learning outcomes.

- Objectives**
- After completing this chapter, you will be able to:
- Calculate voltage, current, gain, and attenuation in decibels and apply these formulas in applications involving cascaded circuits.
 - Explain the relationship between Q, resonant frequency, and bandwidth.
 - Describe the basic configuration of the different types of filters that are used in communication networks and compare and contrast active filters with passive filters.
 - Explain how using matched capacitor filters enhances selectivity.
 - Explain the benefits and operation of crystal, ceramic, SAW, and SAW filters.
 - State and explain the Fourier theory and give examples of how it is used.

Good To Know

Good To Know statements, found in margins, provide interesting added insights to topics being presented.

GOOD TO KNOW

From the standpoint of most new students, dB is the best concept. We used decibels frequently, and dB is again the preferred unit of most technical descriptions for electronic circuits. (Simpson, *Electronic Fundamentals*, McGraw-Hill, 2005, p. 435)

Intensity	Intensity
Quiet	0 dB
Whisper	20
Normal conversation	60
Shouting	100
Rock concert	120
Jet engine	140-150

Source: Paul A. Higgins, McGraw-Hill, 2005.

An often used reference level in communication is 1 mW. When a decibel value is computed by comparing a power value to 1 mW, the result is a value called the dBm. It is computed with the standard power decibel formula with 1 mW as the denominator of the ratio:

$$dBm = 10 \log \frac{P_{out}(W)}{0.001(W)}$$

Here, P_{out} is the actual power, or some power value you want to compare to 1 mW, and 0.001 is 1 mW expressed in watts.

The output of a 1-W amplifier expressed in dBm is, e.g.,

$$dBm = 10 \log \frac{1 \text{ watt}}{0.001} = 10 \log 1000 = 30(2) = 30 \text{ dBm}$$

Sometimes the output of a circuit or device is given in dBm. For example, if a microphone has an output of -30 dBm, the actual output power can be computed as follows:

$$-30 \text{ dBm} = 10 \log \frac{P_{out}}{0.001}$$

$$\frac{-30 \text{ dBm}}{10} = \log \frac{P_{out}}{0.001}$$

Therefore,

$$\frac{P_{out}}{0.001} = 10^{-30/10} = 10^{-3} = 0.001$$

$$P_{out} = 0.001 \times 0.001 = 10^{-6} = 10^{-3} \times 10^{-3} = 10^{-6} \text{ W} = 10^{-3} \times 10^{-3} = 1 \mu\text{W}$$

Examples

Each chapter contains worked-out Examples that demonstrate important concepts or circuit operations, including circuit analysis, applications, troubleshooting, and basic design.

Example 2-10

A power amplifier has an input of 40 mW across 10 Ω. The output is 1.0 V across an 8-Ω resistor. What is the power gain in decibels? You must compare the input and output power levels first.

$$P = \frac{V^2}{R}$$

Online Activities

These sections give students the opportunity to further explore new communications techniques, to dig deeper into the theory, and to become more adept at using the Internet to find needed information.

CHAPTER REVIEW

Online Activity

2-1 Exploring Filter Options

Objective: Use online tools to design practical filters.

Procedure: Designing filters need to be a check-tying and difficult process. It will be helpful, but much of the design of filter design has been automated by online programs that design the filter for you. Here are some options to explore:

1. Go to the Texas Instruments' website and search for the TI Application Report 504A95. Print this document for use later. What type of filters are covered in this document?
2. Using the procedures described in the Application Report, design a bandpass filter for 75 kHz. What is its bandwidth?
3. Go to the website listed below. What type of filters do these online tools cover?

4. Using the online tools, design a sixth-order low-pass filter for 40 MHz with an impedance of 75 Ω . Verify your design using two or more of the tools.

- <https://www.waltercityofit.com/FilterCalculator/>
- <http://www.electronics-world.com/online/FilterCalculator.html>
- www.sony.com/Filter
- www.mathworks.com/help/comm/ug/lowpass.html
- http://www.allnet.com/applets/FilterDesigner_v1_FilterDesigner.html

Questions

1. Looking at the two designs you completed above, look at the filter R_p , Z_0 , and Q values. What problems do you encounter in implementing these filters?
2. What is the most popular filter made (Chebyshev, elliptical, etc.) available in the design tools you used?

Questions

1. What happens to capacitive reactance as the frequency of operation increases?
2. As frequency decreases, how does the reactance of a coil vary?
3. What is skin effect, and how does it affect the Q of a coil?
4. What happens in a wire when a ferrite bead is placed around it?
5. What is the main goal in the widely used coil form that is shaped like a doughnut?
6. Describe the current and impedance in a series RLC circuit at resonance.
7. Describe the current and impedance in a parallel RLC circuit at resonance.
8. State in your own words the relationship between Q and the bandwidth of a tuned circuit.
9. What kind of filter is used to select a single signal frequency from many signals?
10. What kind of filter would you use to get rid of an annoying 120-Hz hum?
11. What does selectivity mean?
12. State the Fourier theory for power in circuits.
13. Outline the various other dB and dBS quantities.
14. Write the first four odd harmonics of 500 Hz.
15. What waveforms in stack up of even harmonics only? What waveforms in stack up of odd harmonics only?
16. Why is a nonreciprocal signal obtained when it passes through a filter?
17. What is the most common application of SSB and SSBM filters?

Problems

Students can obtain critical feedback by performing the Practice Problems at the end of the chapter. Answers to selected problems are found at the end of the book.

Problems

1. What is the gain of an amplifier with an output of 1.5 V and an input of 30 μV ?
2. What is the attenuation of a voltage divider like that in Fig. 2-3, where R_1 is 2.2 k Ω and R_2 is 1.1 k Ω ?
3. What is the overall gain or attenuation of the combination formed by cascading the circuits described in Problems 1 and 2?
4. Three amplifiers with gains of 10, 20, and 7 are cascaded. The input voltage is 120 μV . What are the overall gain and the output voltage of each stage?
5. A pair of communication equipment has two stages of amplification with gains of 40 and 80 and two loss stages with attenuation factors of 100 and 1000. The input voltage is 2.2 V. What are the overall gain or attenuation and the output voltage?

Critical Thinking

A wide variety of questions and problems are found at the end of each chapter. Those include circuit analysis, troubleshooting, critical thinking, and job interview questions.

Critical Thinking

1. Explain how capacitance and inductance can exist in a circuit without lumped capacitor and inductor components being present.
2. How can the voltage across the coil or capacitor in a series resonant circuit be greater than the source voltage at resonance?
3. What type of filter would you use to prevent the harmonics generated by a generator from entering the network?
4. What is the minimum notch frequency critical bandwidth needed to display a 2.2-GHz square wave?
5. Explain why it is possible to reduce the effective Q of a parallel resonant circuit by connecting a resistor in parallel with it.
6. A parallel resonant circuit has an inductance of 300 μH , a winding resistance of 1 Ω , and a capacitance of 15 pF. Calculate (a) resonant frequency, (b) Q , (c) bandwidth, (d) impedance at resonance.
7. For the previous circuit, what would the bandwidth be if you connected a 55-k Ω resistor in parallel with the tuned circuit?
8. What value of capacitor would you need to produce a high-pass filter with a cutoff frequency of 40 kHz with a resistor value of 2.2 k Ω ?
9. What is the minimum bandwidth needed to pass a periodic pulse train whose frequency is 20.0 kHz and duty cycle is 50 percent? 80 percent?
10. Refer to Fig. 2-80. Examine the various waveforms and Fourier expressions. What circuit do you think might make a good but simple frequency divider?

Introduction to Electronic Communication

Objectives

After completing this chapter, you will be able to:

- Explain the functions of the three main parts of an electronic communication system.
 - Describe the system used to classify different types of electronic communication and list examples of each type.
 - Discuss the role of modulation and multiplexing in facilitating signal transmission.
 - Define the electromagnetic spectrum and explain why the nature of electronic communication makes it necessary to regulate the electromagnetic spectrum.
 - Explain the relationship between frequency range and bandwidth and give the frequency ranges for spectrum uses ranging from voice to ultra-high-frequency television.
 - List the major branches of the field of electronic communication and describe the qualifications necessary for different jobs.
 - State the benefit of licensing and certification and name at least three sources.
-

When?	Where or Who?	What?
1837	Samuel Morse	Invention of the telegraph (patented in 1844).
1843	Alexander Bain	Invention of facsimile.
1866	United States and England	The first transatlantic telegraph cable laid.
1876	Alexander Bell	Invention of the telephone.
1887	Heinrich Hertz (German)	Discovery of radio waves.
1887	Guglielmo Marconi (Italian)	Demonstration of "wireless" communications by radio waves.
1901	Marconi (Italian)	First transatlantic radio contact made.
1903	John Fleming	Invention of the two-electrode vacuum tube rectifier.
1906	Reginald Fessenden	Invention of amplitude modulation; first electronic voice communication demonstrated.
1906	Lee de Forest	Invention of the triode vacuum tube.
1914	Hiram P. Maxim	Founding of American Radio Relay League, the first amateur radio organization.
1920	KDKA Pittsburgh	First radio broadcast.
1923	Vladimir Zworykin	Invention and demonstration of television.
1933–1939	Edwin Armstrong	Invention of the superheterodyne receiver and frequency modulation.
1939	United States	First use of two-way radio (walkie-talkies).
1940–1945	Britain, United States	Invention and perfection of radar (World War II).
1947	New York City, New York	First regular network TV broadcasts.
1948	John von Neumann and others	Creation of the first stored program electronic digital computer.
1948	Bell Laboratories	Invention of transistor.
1948	James Van Damager, California	First cable TV.
1953	RCA/NBC	First color TV broadcast.
1958–1959	Jack Kilby (Texas Instruments) and Robert Noyce (Fairchild)	Invention of integrated circuits.
1958–1962	United States	First communication satellite tested.
1961	United States	Citizens band radio first used.
1963	Cape Canaveral, Florida	Initial geosynchronous satellite.
1969	MIT, Stanford University	Prototype of Internet access developed.
1973–1976	Metcalfe	Ethernet and first LANs.
1975	United States	First personal computers.
1977	United States	First use of fiber-optic cable.
1982	Carnegie Melon University	First instance of Internet of Things (IoT).
1982	United States	TCP/IP protocol adopted.
1982–1990	United States	Internet development and first use.
1983	United States	Cellular telephone networks.
1993	United States	First browser Mosaic.
1994	Carl Malmud, United States	Internet radio begins.
1995	United States	Global Positioning System deployed.
1996–2001	Worldwide	First smartphones by BlackBerry, Nokia, Palm.
1997	United States	First wireless LANs.
2000	Worldwide	Third-generation digital cell phones.
2004–2006	United States	Social media begins.
2005–2007	United States	Beginning of streaming TV.
2007	California	Apple iPhone.
2009	United States	Transition: analog to HD digital broadcast TV.
2009	Worldwide	First fourth-generation LTE cellular networks.
2009	Worldwide	First 100 Gb/s fiber optical networks.
2019	Uruguay	Beginning of 5G cellular service.

1-1 The Significance of Human Communication

Communication is the process of exchanging information. People communicate to convey their thoughts, ideas, and feelings to others. The process of communication is inherent to all human life and includes verbal, nonverbal (body language), print, and electronic processes.

Communication

Two of the main barriers to human communication are language and distance. Language barriers arise between persons of different cultures or nationalities. Communicating over long distances is another problem. But that problem has been solved today with modern electronic communications.

Human communication took a dramatic leap forward in the late nineteenth century when electricity was discovered and its many applications were explored. The telegraph was invented in 1844 and the telephone in 1876. Radio was discovered in 1887 and demonstrated in 1895. Fig. 1-1 is a timetable listing important milestones in the history of electronic communication.

GOOD TO KNOW

Marconi is generally credited with inventing radio, but he did not. Although he was a key developer and the first deployer of radio, the real credit goes to Heinrich Hertz, who first discovered radio waves, and Nicola Tesla, who first developed real radio applications.

Well-known forms of electronic communication, such as the telephone, radio, TV, and the Internet, have increased our ability to share information. The way we do things and the success of our work and personal lives are directly

related to how well we communicate. It has been said that the emphasis in our society has now shifted from that of manufacturing and mass production of goods to the accumulation, packaging, and exchange of information. Ours is an information society, and a key part of it is communication. Without electronic communication, we could not access and apply the available information in a timely way.

This book is about electronic communication, and how electrical and electronic principles, components, circuits, equipment, and systems facilitate and improve our ability to communicate. Rapid communication is critical in our very fast-paced world. It is also addictive. Once we adopt and get used to any form of electronic communication, we become hooked on its benefits. In fact, we cannot imagine conducting our lives or our businesses without it. Just imagine our world without the telephone, radio, e-mail, television, cell phones, tablets, or computer networking.

1-2 Communication Systems

All electronic communication systems have a transmitter, a communication channel or medium, and a receiver. These basic components are shown in Fig. 1-2. The process of communication begins when a human being generates some kind of message, data, or other intelligence that must be received by others. A message may also be generated by a computer or electronic current. In *electronic communication systems*, the message is referred to as *information*, or an intelligence signal. This message, in the form of an electronic signal, is fed to the transmitter, which then transmits the message over the communication channel. The message is picked up by the receiver and relayed to another human. Along the way, noise is added in the communication channel and in the receiver. *Noise* is the

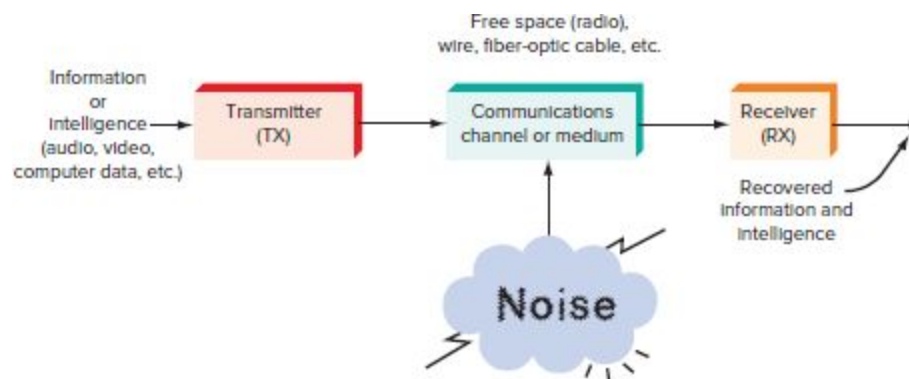
general term applied to any unwanted phenomenon that degrades or interferes with the transmitted information.

Electronic communication systems

Information

Noise

Figure 1-2 A general model of all communication systems.



Transmitter

The first step in sending a message is to convert it into electronic form suitable for transmission. For voice messages, a microphone is used to translate the sound into an electronic *audio* signal. For TV, a camera converts the light information in the scene to a video signal. In computer systems, the message is typed on a keyboard and converted to binary codes that can be stored in memory or transmitted serially. Transducers convert physical characteristics (temperature, pressure, light intensity, and so on) into electrical signals.

Audio

The *transmitter* itself is a collection of electronic page 4 components and circuits designed to convert the electrical signal to a signal suitable for transmission over a given communication medium. Transmitters are made up of

oscillators, amplifiers, tuned circuits and filters, modulators, frequency mixers, frequency synthesizers, and other circuits. The original intelligence signal usually modulates a higher-frequency carrier sine wave generated by the transmitter, and the combination is raised in amplitude by power amplifiers, resulting in a signal that is compatible with the selected transmission medium.

Transmitter

Communication Channel

The *communication channel* is the medium by which the electronic signal is sent from one place to another. Many different types of media are used in communication systems, including wire conductors, fiber-optic cable, and free space.

Communication channel

Electrical Conductors. In its simplest form, the medium may simply be a pair of wires that carry a voice signal from a microphone to a headset. It may be a coaxial cable such as that used to carry cable TV signals. Or it may be a twisted-pair cable used in a local-area network (LAN).

Optical Media. The communication medium may also be a fiber-optic cable or “light pipe” that carries the message on a light wave. These are widely used today to carry long-distance calls and all Internet communications. The information is converted to digital form that can be used to turn a laser diode off and on at high speeds. Alternatively, audio or video analog signals can be used to vary the amplitude of the light.

Free Space. When free space is the medium, the resulting system is known as radio. Also known as *wireless*, *radio* is

the broad general term applied to any form of wireless communication from one point to another. Radio makes use of the electromagnetic spectrum. Intelligence signals are converted to electric and magnetic fields that propagate nearly instantaneously through space over long distances. Communication by visible or infrared light also occurs in free space.

Wireless radio

Other Types of Media. Although the most widely used media are conducting cables and free space (radio), other types of media are used in special communication systems. For example, in sonar, water is used as the medium. Passive sonar “listens” for underwater sounds with sensitive hydrophones. Active sonar uses an echo-reflecting technique similar to that used in radar for determining how far away objects under water are and in what direction they are moving.

The earth itself can be used as a communication medium, because it conducts electricity and can also carry low-frequency sound waves.

Alternating-current (ac) power lines, the electrical page 5 conductors that carry the power to operate virtually all our electrical and electronic devices, can also be used as communication channels. The signals to be transmitted are simply superimposed on or added to the power line voltage. This is known as *carrier current transmission* or *power line communications (PLC)*. It is used for some types of remote control of electrical equipment.

Carrier current transmission

Receivers

A *receiver* is a collection of electronic components and circuits that accepts the transmitted message from the channel and converts it back to a form understandable by humans. Receivers contain amplifiers, oscillators, mixers, tuned circuits and filters, and a demodulator or detector that recovers the original intelligence signal from the modulated carrier. The output is the original signal, which is then read out or displayed. It may be a voice signal sent to a speaker, a video signal that is fed to an LCD screen for display, or binary data that is received by a computer and then printed out or displayed on a video monitor.

Receiver

Transceivers

Most electronic communication is two-way, and so both parties must have both a transmitter and a receiver. As a result, most communication equipment incorporates circuits that both send and receive. These units are commonly referred to as *transceivers*. All the transmitter and receiver circuits are packaged within a single housing and usually share some common circuits such as the power supply. Telephones, handheld radios, cellular telephones, and computer modems are examples of transceivers.

Transceiver

Attenuation

Signal *attenuation*, or degradation, is inevitable no matter what the medium of transmission. Attenuation is proportional to the square of the distance between the transmitter and the receiver. Media are also frequency-selective, in that a given medium will act as a low-pass filter to a transmitted signal, distorting digital pulses in addition to greatly reducing signal amplitude over long distances.

Thus considerable signal amplification, in both the transmitter and the receiver, is required for successful transmission. Any medium also slows signal propagation to a speed slower than the speed of light.

Attenuation

Noise

Noise is mentioned here because it is the bane of all electronic communications. Noise comes from many different sources including thermal agitation in components, power lines, atmospheric phenomena like lightning, other electrical and electronic equipment such as motors, relays, and power supplies. Most noise is experienced in the receiver part of any communications system. For that reason, we cover noise at that more appropriate time in Chapter 9. While some noise can be filtered out, the general way to minimize noise is to use components that contribute less noise and to lower their temperatures. The measure of noise is usually expressed in terms of the signal-to-noise (S/N) ratio (SNR), which is the signal power divided by the noise power and can be stated numerically or in terms of decibels (dB). Obviously, a very high SNR is preferred for best performance.

1-3 Types of Electronic Communication

Electronic communications are classified according to whether they are (1) one-way (simplex) or two-way (full duplex or half duplex) transmissions and (2) analog or digital signals.

Simplex

The simplest way in which electronic communication is conducted is one-way communications, normally referred to as *simplex communication*. Wireless microphones are a form of simplex communications. Other examples are shown in Fig. 1-3. The most common forms of simplex communication are radio and TV broadcasting. Satellite radio and TV are also simplex. Another example of one-way communication is transmission to a remotely controlled vehicle like a toy car or drone.

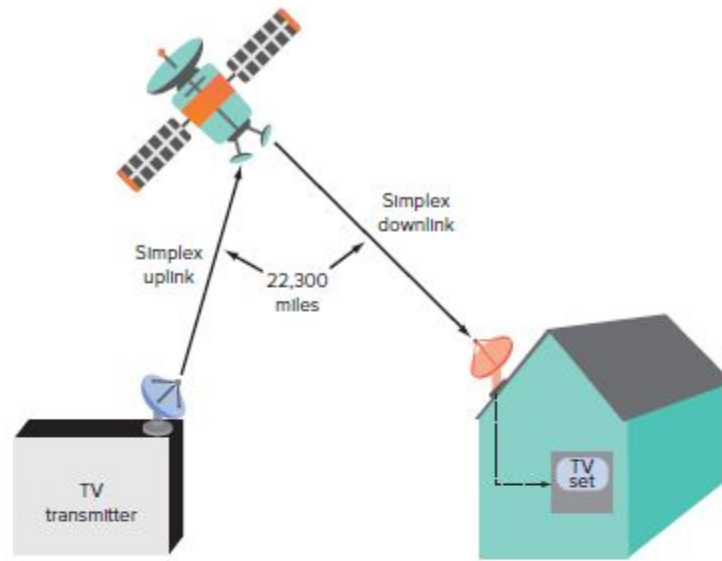
Simplex communication

In Fig. 1-3(a), the satellite transmits the TV programming to the home antenna and TV set. The TV does not talk back so this is a simplex downlink.

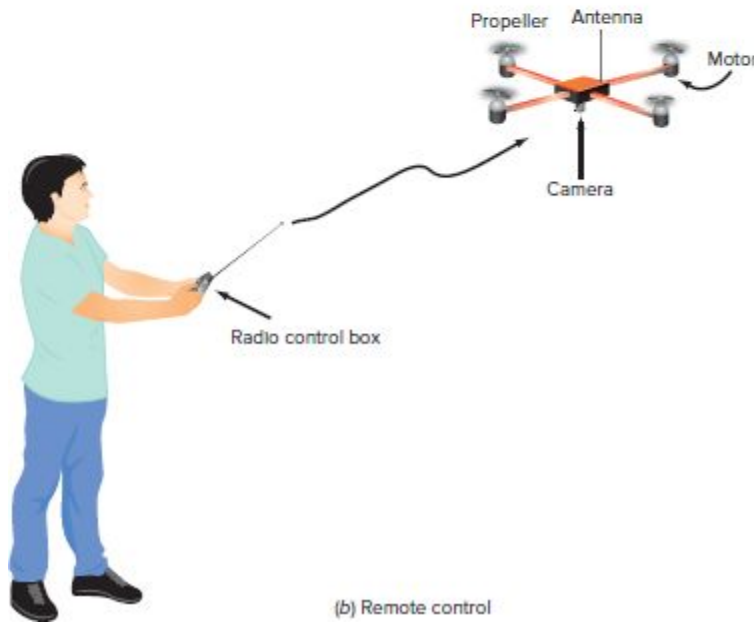
The satellite gets its programming material from a ground-based TV station that transmits it up to the satellite by way of a simplex uplink. No two-way communication takes place. The up and down links are separate simplex connections.

Another example is shown in Fig. 1-3(b). The control link to the drone is simplex. However, if the drone's camera transmits video back to the operator, a form of duplex transmission is taking place.

Figure 1-3 Simplex communication.



(a) Satellite TV broadcasting



(b) Remote control

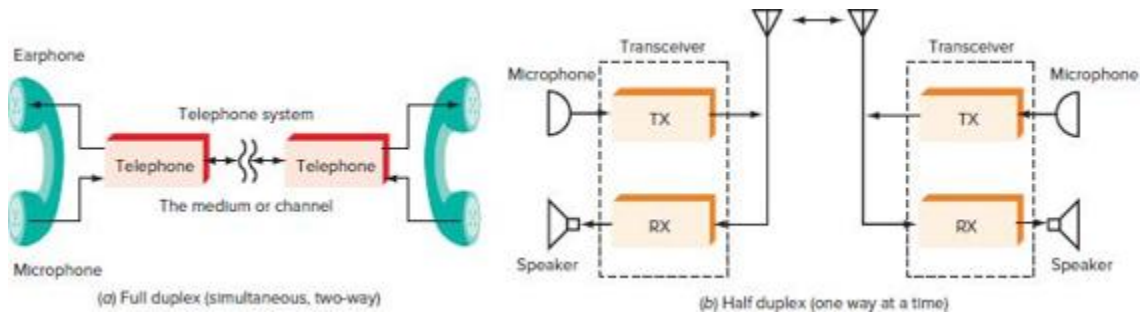
Full Duplex

The bulk of electronic communication is two-way, or *duplex communication*. Typical duplex applications are shown in Fig. 1-4. For example, people communicating with one another over the telephone can talk and listen simultaneously, as Fig. 1-4(a) illustrates. This is called *full duplex communication*.

Duplex communication

Full duplex communication

Figure 1-4 Duplex communication. (a) Full duplex (simultaneous two-way). (b) Half duplex (one way at a time).



Full duplex also applies to wired communications. For example, a cable between two locations may have two pairs of wires. Each pair is used for one of the two directions of transmission. This permits the exchange of information simultaneously over both pairs in both directions.

Half Duplex

The form of two-way communication in which only one party transmits at a time is known as *half duplex communication* [see Fig. 1-4(b)]. The communication is two-way, but the direction alternates: the communicating parties take turns transmitting and receiving. Most radio transmissions, such as those used in the military, fire, police, aircraft, marine, and other services, are half duplex communication. Citizens band (CB), Family Radio, and amateur radio communication are also half duplex.

Half duplex communication

Half duplex operation is often used in some wired communications. A common arrangement is a single two-wire bus to which two or more communications nodes (transceivers) are connected. All of the nodes share the bus.

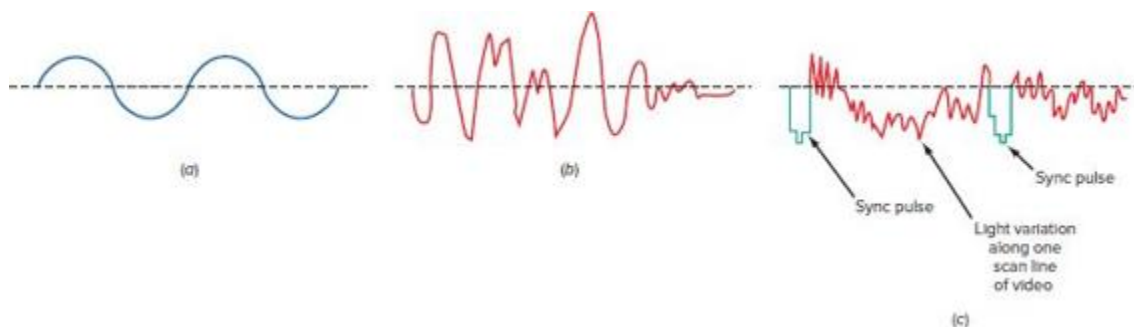
This means that two or more nodes cannot transmit at the same time without interfering with one another. Nodes take turns so that only one transmits at a time.

Analog Signals

An *analog signal* is a smoothly and continuously varying voltage or current. Some typical analog signals are shown in Fig. 1-5. A sine wave is a single-frequency analog signal. Voice and video voltages are analog signals that vary in accordance with the sound or light variations that are analogous to the information being transmitted. Sensors measuring physical characteristics like temperature, pressure, or light level produce analog signals.

Analog signal

Figure 1-5 Analog signals. (a) Sine wave “tone.” (b) Voice. (c) Video (TV) signal.



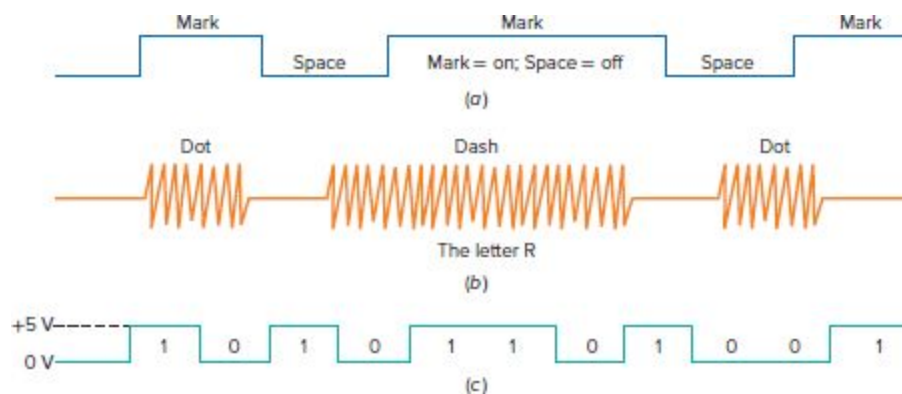
Digital Signals

Digital signals, in contrast to analog signals, do not vary continuously, but change in steps or in discrete increments. Most digital signals use binary or two-state codes. Some examples are shown in Fig. 1-6. The earliest forms of both wire and radio communication used a type of on/off digital code. The telegraph used Morse code, with its system of

short and long signals (dots and dashes) to designate letters and numbers. See Fig. 1-6(a). In radio telegraphy, also known as continuous-wave (CW) transmission, a sine wave signal is turned off and on for short or long durations to represent the dots and dashes. Refer to Fig. 1-6(b).

Digital signal

Figure 1-6 Digital signals. (a) Telegraph (Morse code). (b) Continuous-wave (CW) code. (c) Serial binary code.



Data used in computers is also digital. Binary codes representing numbers, letters, and special symbols are transmitted serially by wire, radio, or optical medium. The most commonly used digital code in communications is the *American Standard Code for Information Interchange (ASCII*, pronounced “ask key”). Fig. 1-6(c) shows a serial binary code.

ASCII

Many transmissions are of signals that originate in digital form, e.g., telegraphy messages or computer data, but that must be converted to analog form to match the transmission medium. An example is the transmission of digital data over the telephone network, which was designed to handle analog voice signals only. If the digital data is converted to analog signals, such as tones in the

audio frequency range, it can be transmitted over the telephone network.

Modulation

Multiplexing

Analog signals can also be transmitted digitally. It is very common today to take voice or video analog signals and digitize them with an analog-to-digital (A/D) converter. The data can then be transmitted efficiently in digital form and processed by computers and other digital circuits.

GOOD TO KNOW

Multiplexing has been used in the music industry to create stereo sound. In stereo radio, two signals are transmitted and received— one for the right and one for the left channel of sound. (For more information on multiplexing, see Chap. 10.)

1-4 Modulation and Multiplexing

Modulation and multiplexing are electronic techniques for transmitting information efficiently from one place to another. *Modulation* makes the information signal more compatible with the medium, and *multiplexing* allows more than one signal to be transmitted concurrently over a single medium. Modulation and multiplexing techniques are basic to electronic communication. Once you have mastered the fundamentals of these techniques, you will easily understand how most modern communication systems work.

Baseband Transmission

Before it can be transmitted, the information or intelligence must be converted to an electronic signal compatible with

the medium. For example, a microphone changes voice signals (sound waves) into an analog voltage of varying frequency and amplitude. This signal is then passed over wires to a speaker or headphones. This is the way the telephone system works.

A video camera generates an analog signal that represents the light variations along one scan line of the picture. This analog signal is usually transmitted over a coaxial cable. Binary data is generated by a keyboard attached to a computer. The computer stores the data and processes it in some way. The data is then transmitted on cables to peripherals such as a printer or to other computers over a LAN. Regardless of whether the original information or intelligence signals are analog or digital, they are all referred to as baseband signals.

In a communication system, baseband information signals can be sent directly and unmodified over the medium or can be used to modulate a carrier for transmission over the medium. Putting the original voice, video, or digital signals directly into the medium is referred to as *baseband transmission*. For example, in many telephone and intercom systems, it is the voice itself that is placed on the wires and transmitted over some distance to the receiver. In most computer networks, the digital signals are applied directly to coaxial or twisted-pair cables for transmission to another computer.

Baseband transmission

In many instances, baseband signals are incompatible with the medium. As a result, the baseband information signal, be it audio, video, or data, is normally used to modulate a high-frequency signal called a *carrier*. The higher-frequency carriers radiate into space more efficiently than the baseband signals themselves. Such wireless signals consist of both electric and magnetic fields. These electromagnetic signals, which are able to travel through

space for long distances, are also referred to as *radio-frequency (RF) waves*, or just radio waves.

Carrier

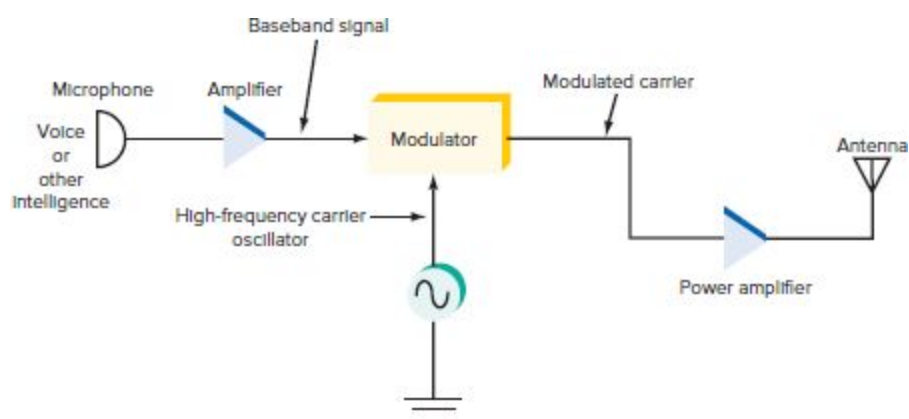
Radio-frequency (RF) wave

Broadband Transmission

Modulation is the process of having a baseband voice, video, or digital signal modify another, higher-frequency signal, the carrier. The process is illustrated in Fig. 1-7. The information or intelligence to be sent is said to be *impressed* upon the carrier. The carrier is usually a sine wave generated by an oscillator. The carrier is fed to a circuit called a modulator along with the baseband intelligence signal. The intelligence signal changes the carrier in a unique way. The modulated carrier is amplified and sent to the antenna for transmission. This process is called *broadband transmission*.

Broadband transmission

Figure 1-7 Modulation at the transmitter.



Consider the common mathematical expression for page 10 a sine wave:

$$v = V_p \sin (2\pi ft + \theta) \quad \text{or} \quad v = V_p \sin (\omega t + \theta)$$

where v = instantaneous value of sine wave voltage

V_p = peak value of sine wave

f = frequency, Hz

ω = angular velocity = $2\pi f$

t = time, s

$\omega t = 2\pi ft$ = angle, rad ($360^\circ = 2\pi$ rad)

θ = phase angle

The three ways to make the baseband signal change the carrier sine wave are to vary its amplitude, vary its frequency, or vary its phase angle. The two most common methods of modulation are *amplitude modulation (AM)* and *frequency modulation (FM)*. In AM, the baseband information signal called the modulating signal varies the amplitude of the higher-frequency carrier signal, as shown in Fig. 1-8(a). It changes the V_p part of the equation. In FM, the information signal varies the frequency of the carrier, as shown in Fig. 1-8(b). The carrier amplitude remains constant. FM varies the value of f in the first angle term inside the parentheses. Varying the phase angle produces *phase modulation (PM)*. Here, the second term inside the parentheses (θ) is made to vary by the intelligence signal. Phase modulation produces frequency modulation; therefore, the PM signal is similar in appearance to a frequency-modulated carrier. Two common examples of transmitting digital data by modulation are given in Fig. 1-9. In Fig. 1-9(a), the data is converted to frequency-varying tones. This is called *frequency-shift keying (FSK)*. In Fig. 1-9(b), the data introduces a 180° -phase shift. This is called *phase-shift keying (PSK)*. Devices called *modems (modulator-demodulator)* translate the data from digital to analog and back again. Both FM and PM are forms of angle modulation.

Amplitude modulation (AM)

Frequency modulation (FM)

Phase modulation (PM)

Frequency-shift keying (FSK)

Phase-shift keying (PSK)

Modems

Figure 1-8 Types of modulation. (a) Amplitude modulation. (b) Frequency modulation.

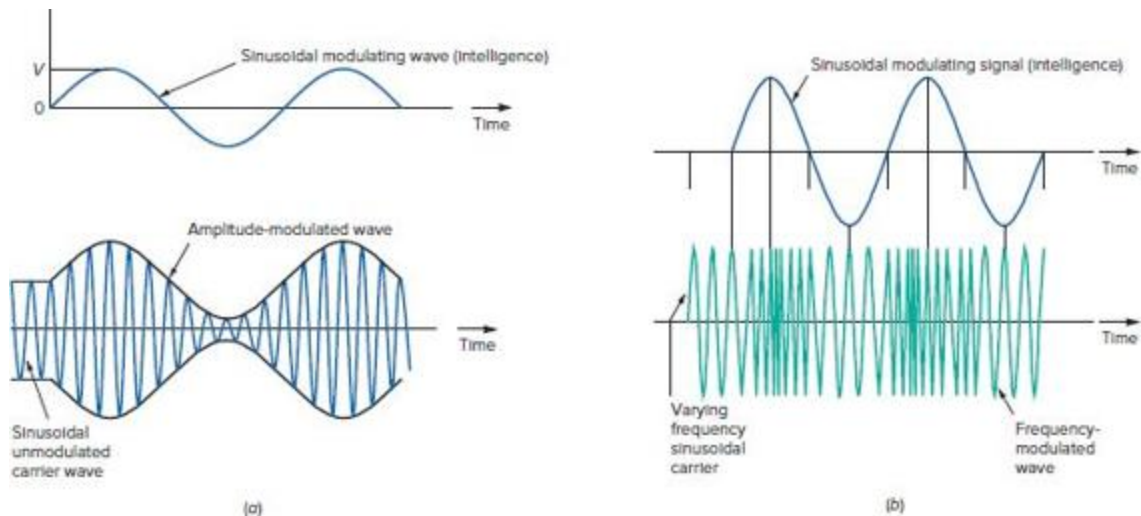
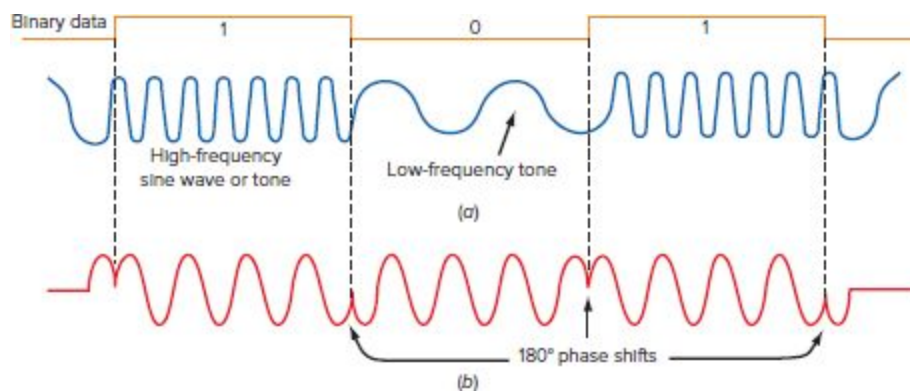
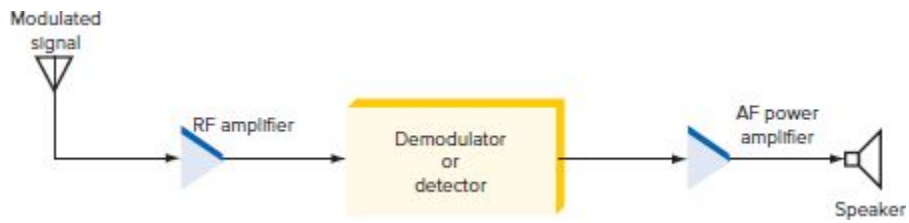


Figure 1-9 Transmitting binary data in analog form. (a) FSK. (b) PSK.



At the receiver, the carrier with the intelligence signal is amplified and then demodulated to extract the original baseband signal. Another name for the demodulation process is detection. (See Fig. 1-10.)

Figure 1-10 Recovering the intelligence signal at the receiver.



Multiplexing

The use of modulation also permits another technique, known as multiplexing, to be used. Multiplexing is the process of allowing two or more signals to share the same medium or channel; see Fig. 1-11. A multiplexer converts the individual baseband signals to a composite signal that is used to modulate a carrier in the transmitter. At the receiver, the composite signal is recovered at the demodulator, then sent to a demultiplexer where the individual baseband signals are regenerated (see Fig. 1-12).

Figure 1-11 Multiplexing at the transmitter.

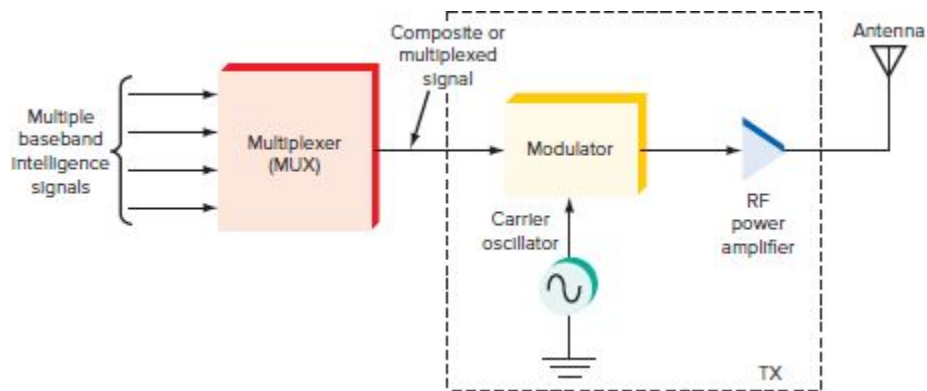
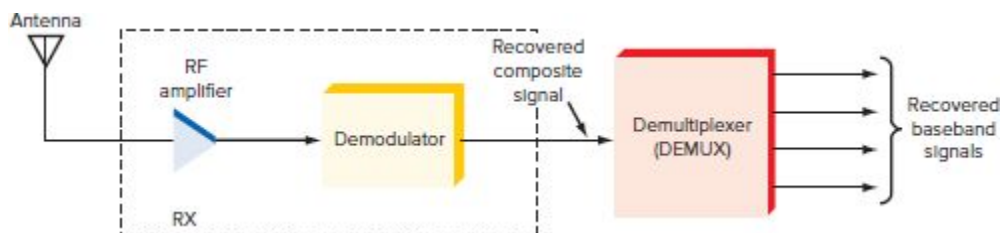


Figure 1-12 Demultiplexing at the receiver.



There are three basic types of multiplexing: frequency division, time division, and code division. In *frequency-division multiplexing*, the intelligence signals modulate subcarriers on different frequencies that are then added together, and the composite signal is used to modulate the carrier. In optical networking, wavelength division multiplexing (WDM) is equivalent to frequency-division multiplexing for optical signal.

Frequency-division multiplexing

In *time-division multiplexing*, the multiple intelligence signals are sequentially sampled, and a small piece of each is used to modulate the carrier. If the information signals are sampled fast enough, sufficient details are transmitted that at the receiving end the signal can be reconstructed with great accuracy.

Time-division multiplexing

In code-division multiplexing, the signals to be transmitted are converted to digital data that is then uniquely coded with a faster binary code. The signals modulate a carrier on the same frequency. All use the same communications channel simultaneously. The unique coding is used at the receiver to select the desired signal.

1-5 The Electromagnetic Spectrum

Electromagnetic waves are signals that oscillate; i.e., the amplitudes of the electric and magnetic fields vary at a specific rate. The field intensities fluctuate up and down, and the polarity reverses a given number of times per second. The electromagnetic waves vary sinusoidally. Their frequency is measured in cycles per second (cps) or hertz (Hz). These oscillations may occur at a very low frequency

or at an extremely high frequency. The range of electromagnetic signals encompassing all frequencies is referred to as the *electromagnetic spectrum*.

Electromagnetic spectrum

All electrical and electronic signals that radiate into free space fall into the electro- magnetic spectrum. Not included are signals carried by cables. Signals carried by cable may share the same frequencies of similar signals in the spectrum, but they are not radio signals. Fig. 1-13 shows the entire electromagnetic spectrum, giving both frequency and wavelength. Within the middle ranges are located the most commonly used radio frequencies for two-way communication, TV, cell phones, wireless LANs, radar, and other applications. At the upper end of the spectrum are infrared and visible light. Fig. 1-14 is a listing of the generally recognized segments in the spectrum used for electronic communication.

Figure 1-13 The electromagnetic spectrum.

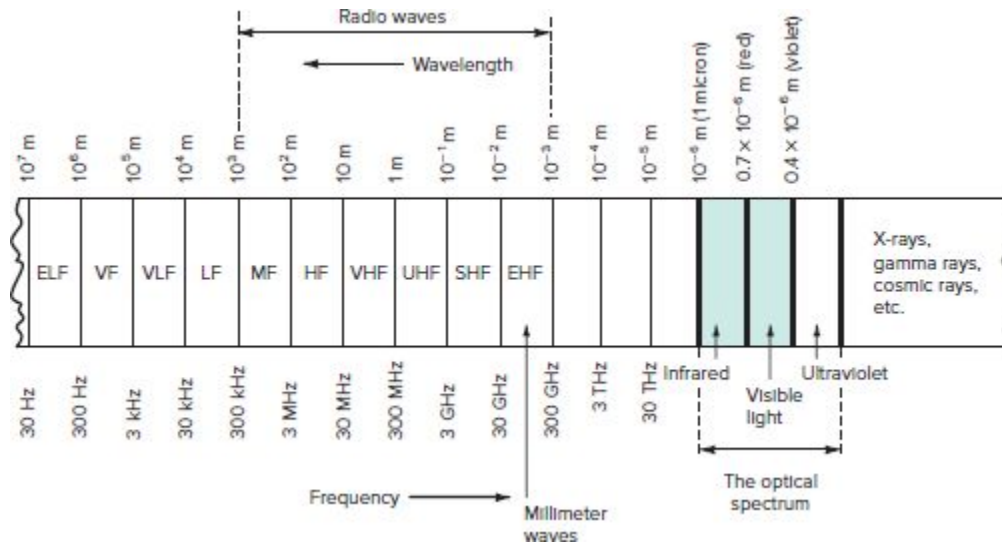


Figure 1-14 The electromagnetic spectrum used in electronic communication.

Name	Frequency	Wavelength
Extremely low frequencies (ELFs)	30–300 Hz	10^7 – 10^6 m
Voice frequencies (VFs)	300–3000 Hz	10^6 – 10^5 m
Very low frequencies (VLFs)	3–30 kHz	10^5 – 10^4 m
Low frequencies (LFs)	30–300 kHz	10^4 – 10^3 m
Medium frequencies (MFs)	300 kHz–3 MHz	10^3 – 10^2 m
High frequencies (HF)	3–30 MHz	10^2 – 10^1 m
Very high frequencies (VHF)	30–300 MHz	10^1 –1 m
Ultra high frequencies (UHF)	300 MHz–3 GHz	1– 10^{-1} m
Super high frequencies (SHF)	3–30 GHz	10^{-1} – 10^{-2} m
Extremely high frequencies (EHF)	30–300 GHz	10^{-2} – 10^{-3} m
Infrared	—	0.7–10 μ m
The visible spectrum (light)	—	0.4–0.8 μ m

Units of Measure and Abbreviations:
kHz = 1000 Hz
MHz = 1000 kHz = 1×10^6 = 1,000,000 Hz
GHz = 1000 MHz = 1×10^9 = 1,000,000 kHz
= 1×10^9 = 1,000,000,000 Hz
m = meter
 μ m = micrometer = $\frac{1}{1,000,000}$ m = 1×10^{-6} m

Frequency and Wavelength

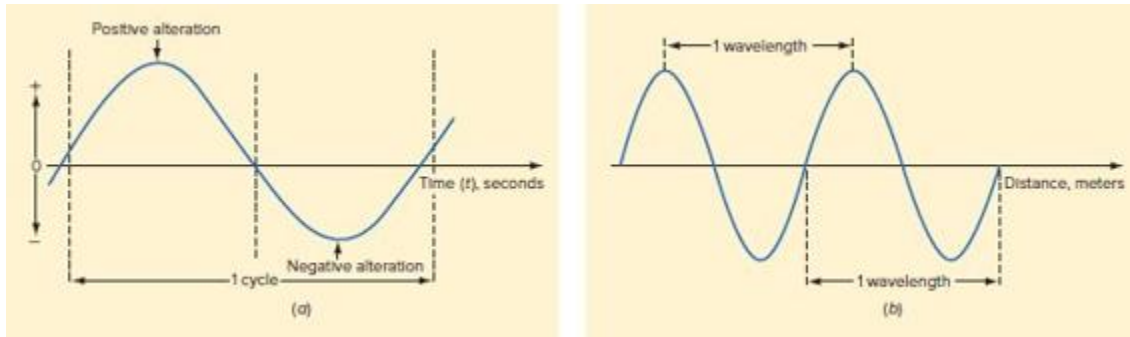
A given signal is located on the frequency spectrum according to its frequency and wavelength.

Frequency. *Frequency* is the number of times a particular phenomenon occurs in a given period of time. In electronics, frequency is the number of cycles of a repetitive wave that occurs in a given time period. A cycle consists of two voltage polarity reversals, current reversals, or electromagnetic field oscillations. The cycles repeat, forming a continuous but repetitive wave. Frequency is measured in cycles per second (cps). In electronics, the unit of frequency is the hertz, named for the German physicist Heinrich Hertz, who was a pioneer in the field of electromagnetics. One cycle per second is equal to one hertz, abbreviated (Hz). Therefore, 440 cps = 440 Hz.

Frequency

Fig. 1-15(a) shows a sine wave variation of voltage. One positive alternation and one negative alternation form a cycle. If 2500 cycles occur in 1 s, the frequency is 2500 Hz.

Figure 1-15 Frequency and wavelength. (a) One cycle. (b) One wavelength.



Prefixes representing powers of 10 are often used page 14 to express frequencies. The most frequently used prefixes are as follows:

$$k = \text{kilo} = 1000 = 10^3$$

$$M = \text{mega} = 1,000,000 = 10^6$$

$$G = \text{giga} = 1,000,000,000 = 10^9$$

$$T = \text{tera} = 1,000,000,000,000 = 10^{12}$$

Thus, $1000 \text{ Hz} = 1 \text{ kHz}$ (kilohertz). A frequency of 9,000,000 Hz is more commonly expressed as 9 MHz (megahertz). A signal with a frequency of 15,700,000,000 Hz is written as 15.7 GHz (gigahertz).

PIONEERS OF ELECTRONICS

In 1887 German physicist Heinrich Hertz was the first to demonstrate the effect of electromagnetic radiation through space. The distance of transmission was only a few feet, but this transmission proved that radio waves could travel from one place to another without the need for any connecting wires. Hertz also proved that radio waves, although invisible, travel at the same velocity as light waves. (Grob/Schultz, *Basic Electronics*, 9th ed., Glencoe/McGraw Hill, 2003, p. 4)

Wavelength. *Wavelength* is the distance occupied by one cycle of a wave, and it is usually expressed in meters. One meter (m) is equal to 39.37 in (just over 3 ft, or 1 yd). Wavelength is measured between identical points on succeeding cycles of a wave, as Fig. 1-15(b) shows. If the signal is an electromagnetic wave, one wavelength is the distance that one cycle occupies in free space. It is the distance between adjacent peaks or valleys of the electric and magnetic fields making up the wave.

Wavelength

Wavelength is also the distance traveled by an electromagnetic wave during the time of one cycle. Electromagnetic waves travel at the speed of light, or 299,792,800 m/s. The speed of light and radio waves in a vacuum or in air is usually rounded off to 300,000,000 m/s (3×10^8 m/s), or 186,000 mi/s. The speed of transmission in media such as a cable is less.

The wavelength of a signal, which is represented by the Greek letter λ (lambda), is computed by dividing the speed of light by the frequency f of the wave in hertz: $\lambda = 300,000,000/f$. For example, the wavelength of a 4,000,000-Hz signal is

$$\lambda = 300,000,000/4,000,000 = 75 \text{ m}$$

If the frequency is expressed in megahertz, the formula can be simplified to $\lambda(\text{m}) = 300/f(\text{MHz})$ or $\lambda(\text{ft}) = 984 f(\text{MHz})$.

The 4,000,000-Hz signal can be expressed as 4 MHz. Therefore $\lambda = 300/4 = 75 \text{ m}$.

A wavelength of 0.697 m, as in the second equation in Example 1-1, is known as a *very high frequency signal wavelength*. Very high frequency wavelengths are sometimes expressed in centimeters (cm). Since 1 m equals 100 cm, we can express the wavelength of 0.697 m in Example 1-1 as 69.7, or about 70 cm.

Very high frequency signal wavelength

Example 1-1

Find the wavelengths of (a) a 150-MHz, (b) a 430-MHz, (c) an 8-MHz, and (d) a 750-kHz signal.

$$\text{a. } \lambda = \frac{300,000,000}{150,000,000} = \frac{300}{150} = 2 \text{ m}$$

$$\text{b. } \lambda = \frac{300}{430} = 0.697 \text{ m}$$

$$\text{c. } \lambda = \frac{300}{8} = 37.5 \text{ m}$$

d. For Hz (750 kHz = 750,000 Hz):

$$\lambda = \frac{300,000,000}{750,000} = 400 \text{ m}$$

For MHz (750 kHz = 0.75 MHz):

$$\lambda = \frac{300}{0.75} = 400 \text{ m}$$

If the wavelength of a signal is known or can be page 15 measured, the frequency of the signal can be calculated by rearranging the basic formula $f = 300/\lambda$. Here, f is in megahertz and λ is in meters. As an example, a signal with a wavelength of 14.29 m has a frequency of $f = 300/14.29 = 21 \text{ MHz}$.

Example 1-2

A signal with a wavelength of 1.5 m has a frequency of

$$f = \frac{300}{1.5} = 200 \text{ MHz}$$

Example 1-3

A signal travels a distance of 75 ft in the time it takes to complete 1 cycle. What is its frequency?

$$\begin{aligned}1 \text{ m} &= 3.28 \text{ ft} \\ \frac{75 \text{ ft}}{3.28} &= 22.86 \text{ m} \\ f &= \frac{300}{22.86} = 13.12 \text{ MHz}\end{aligned}$$

Example 1-4

The maximum peaks of an electromagnetic wave are separated by a distance of 8 in. What is the frequency in megahertz? In gigahertz?

$$\begin{aligned}1 \text{ m} &= 39.37 \text{ in} \\ 8 \text{ in} &= \frac{8}{39.37} = 0.203 \text{ m} \\ f &= \frac{300}{0.203} = 1477.8 \text{ MHz} \\ \frac{1477.8}{10^3} &= 1.4778 \text{ GHz}\end{aligned}$$

Frequency Ranges from 30 Hz to 300 GHz

For the purpose of classification, the electromagnetic frequency spectrum is divided into segments, as shown in Fig. 1-13. The signal characteristics and applications for each segment are discussed in the following paragraphs.

Extremely Low Frequencies. *Extremely low frequencies (ELFs)* are in the 30- to 300-Hz range. These include ac power line frequencies (50 and 60 Hz are common), as well as those frequencies in the low end of the human audio range.

Extremely low frequency (ELF)

Voice Frequencies. *Voice frequencies (VFs)* are in the range of 300 to 3000 Hz. This is the normal range of human speech. Although human hearing extends from approximately 20 to 20,000 Hz, most intelligible sound occurs in the VF range.

Voice frequency (VF)

Very Low Frequencies. *Very low frequencies (VLFs)* extend from 9 kHz to 30 kHz and include the higher end of the human hearing range up to about 15 or 20 kHz. Many musical instruments make sounds in this range as well as in the ELF and VF ranges. The VLF range is also used in some government and military communication. For example, VLF radio transmission is used by the navy to communicate with submarines.

Very low frequency (VLF)

Low Frequencies. *Low frequencies (LFs)* are in the 30- to 300-kHz range. The primary communication services using this range are in aeronautical and marine navigation. Frequencies in this range are also used as *subcarriers*, signals that are modulated by the baseband information. Usually, two or more subcarriers are added, and the combination is used to modulate the final high-frequency carrier.

Low frequency (LF)

Subcarrier

Medium Frequencies. *Medium frequencies (MFs)* are in the 300- to 3000-kHz (0.3- to 3.0-MHz) range. The major application of frequencies in this range is AM radio broadcasting (535 to 1605 kHz). Other applications in this range are various marine and amateur radio communication.

Medium frequency (MF)

High Frequencies. *High frequencies (HF)* are in the 3- to 30-MHz range. These are the frequencies generally known as short waves. All kinds of simplex broadcasting and half duplex two-way radio communication take place in this range. Broadcasts from many foreign countries occur in this range. Government and military services use these frequencies for two-way communication. An example is diplomatic communication between embassies. Amateur radio and CB communication also occur in this part of the spectrum.

High frequency (HF)

Very High Frequencies. *Very high frequencies (VHF)* encompass the 30- to 300-MHz range. This popular frequency range is used by many services, including land mobile radio, marine and aeronautical communication, FM radio broadcasting (88 to 108 MHz), and television channels 2 through 13. Radio amateurs also have 2- and 6-m bands in this frequency range.

Very high frequency (VHF)

White Spaces. White spaces are unused TV channels. Several years ago, most TV stations abandoned their spectrum assignments in the 2 to 13 channel range. They moved to one of the higher TV channels in the 14 to 51 range. Because of this, there are many unused channels. Therefore, these 6-MHz-wide channels can be used for other

applications. These channels lie in the 54- to 698-MHz range. The specific channels abandoned vary from one geographical area to another. The 6 MHz of channel bandwidth permits them to carry high-speed data for telemetry service or some IoT application. Use of these white spaces does not require a license, but the user must register with a database that all nodes will use to check for other activity on a channel before using it. This listen-before-talk approach is part of a transmission scheme called cognitive radio (CR). CR is an automated system that lets multiple users share an unused channel when it is available. The Federal Communications Commission (FCC) restricts the transmit power level, but at these low frequencies with an appropriate modulation method for digital data and a good antenna, a range of many miles can be achieved. New standards have been developed to serve this wireless activity. To date, there have not been many adopters.

Ultrahigh Frequencies. *Ultrahigh frequencies* page 17 (UHF_s) encompass the 300- to 3000-MHz range.

This, too, is a widely used portion of the frequency spectrum. It includes the UHF TV channels 14 through 51, and it is used for land mobile communication and services such as cellular telephones as well as for military communication. Some radar and navigation services occupy this portion of the frequency spectrum, and radio amateurs also have bands in this range.

Ultrahigh frequency (UHF)

Microwaves and SHFs. Frequencies between the 1000-MHz (1-GHz) and 30-GHz range are called *microwaves*. Microwave ovens usually operate at 2.45 GHz. *Superhigh frequencies (SHFs)* are in the 3- to 30-GHz range. These microwave frequencies are widely used for satellite communication and radar. Wireless LANs like Wi-Fi and many cellular telephone systems also occupy this region.

Superhigh frequency (SHF)

Microwave

Extremely High Frequencies. *Extremely high frequencies (EHFs)* extend from 30 to 300 GHz. Electromagnetic signals with frequencies higher than 30 GHz are referred to as *millimeter waves*. Equipment used to generate and receive signals in this range is extremely complex and expensive, but there is growing use of this range for satellite communication telephony, computer data, fifth-generation (5G) cellular networks, and some specialized radar.

Extremely high frequency (EHF)

Millimeter wave

Frequencies Between 300 GHz and the Optical Spectrum. Sometimes referred to as the terahertz region, this portion of the spectrum is virtually uninhabited. It is a cross between RF and optical. Lack of hardware and components limits its use.

Optical spectrum

Visible spectrum

Light

Infrared region

The Optical Spectrum

Right above the millimeter wave region is what is called the *optical spectrum*, the region occupied by light waves. There are three different types of light waves: infrared, visible, and ultraviolet.

Infrared. The *infrared region* is sandwiched between the highest radio frequencies (i.e., millimeter waves) and the visible portion of the electromagnetic spectrum. Infrared occupies the range between approximately 0.1 millimeter

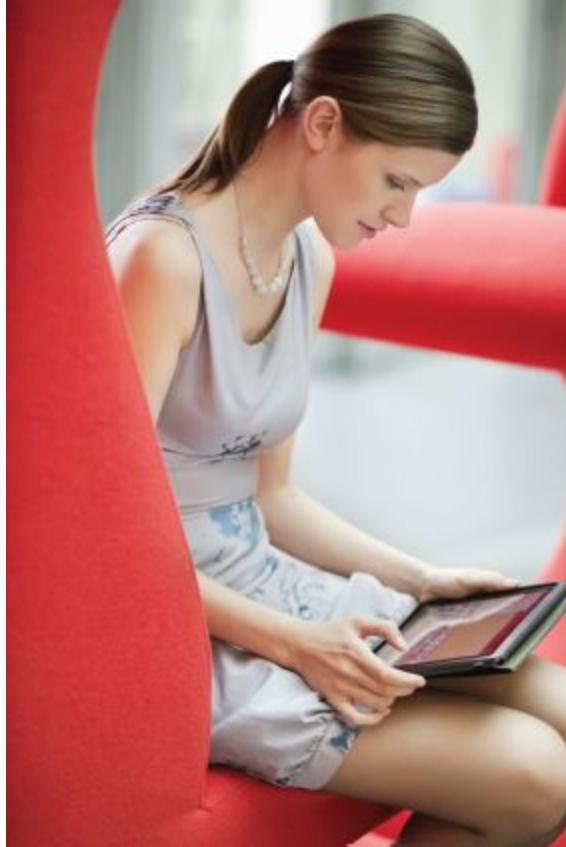
(mm) and 700 nanometers (nm), or 100 to 0.7 micrometer (μm). One micrometer is one-millionth of a meter. Infrared wavelengths are often given in micrometers or nanometers.

Infrared radiation is generally associated with heat. Infrared is produced by light bulbs, our bodies, and any physical equipment that generates heat. Infrared signals can also be generated by special types of light-emitting diodes (LEDs) and lasers.

Infrared signals are used for various special kinds of communication. For example, infrared is used in astronomy to detect stars and other physical bodies in the universe, and for guidance in weapons systems, where the heat radiated from airplanes or missiles can be picked up by infrared detectors and used to guide missiles to targets. Infrared is also used in most new TV remote-control units where special coded signals are transmitted by an infrared LED to the TV receiver for the purpose of changing channels, setting the volume, and performing other functions. Infrared is the basis for all fiber-optic communication.

Infrared signals have many of the same properties as signals in the visible spectrum. Optical devices such as lenses and mirrors are often used to process and manipulate infrared signals, and infrared light is the signal usually propagated over fiber-optic cables.

The tablet computer has become a popular communications device thanks to Wi-Fi and cellular links.



Fabrice Lerouge/Onoky Photography/SuperStock

The Visible Spectrum. Just above the infrared region is the *visible spectrum* we ordinarily refer to as *light*. Light is a special type of electromagnetic radiation that has a wavelength in the 0.4- to 0.8- μm range (400 to 800 nm). Light wavelengths are usually expressed in terms of angstroms (\AA). An angstrom is one ten-thousandth of a micrometer; for example, $1 \text{\AA} = 10^{-10} \text{ m}$. The visible range is approximately 8000 \AA (red) to 4000 \AA (violet). Red is low-frequency or long-wavelength light, whereas violet is high-frequency or short-wavelength light.

GOOD TO KNOW

page 18

Although it is expensive to build a fiber-optic or wireless network, servicing each additional user is cost-effective. The more users a network has, the lower the overall cost.

Light is used for various kinds of communication. Light waves can be modulated and transmitted through glass fibers, just as electric signals can be transmitted over wires. The great advantage of light wave signals is that their very high frequency gives them the ability to handle a tremendous amount of information. That is, the bandwidth of the baseband signals can be very wide.

Light signals can also be transmitted through free space. Various types of communication systems have been created using a laser that generates a light beam at a specific visible frequency. Lasers generate an extremely narrow beam of light, which is easily modulated with voice, video, and data information.

Ultraviolet. *Ultraviolet light (UV)* covers the range from about 4 to 400 nm. Ultraviolet generated by the sun is what causes sunburn. Ultraviolet is also generated by mercury vapor lights and some other types of lights such as fluorescent lamps and sun lamps. Ultraviolet is not used for communication; its primary use is medical.

Ultraviolet light (UV)

Beyond the visible region are the X-rays, gamma rays, and cosmic rays. These are all forms of electromagnetic radiation, but they do not figure into communication systems and are not covered here.

1-6 Bandwidth

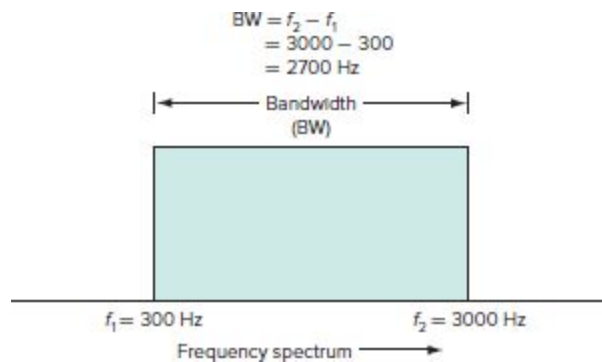
Bandwidth (BW) is that portion of the electromagnetic spectrum occupied by a signal. It is also the frequency range over which a receiver or other electronic circuit operates. More specifically, bandwidth is the difference between the upper and lower frequency limits of the signal

or the equipment operation range. Fig. 1-16 shows the bandwidth of the voice frequency range from 300 to 3000 Hz. The upper frequency is f_2 and the lower frequency is f_1 . The bandwidth, then, is

Bandwidth (BW)

$$BW = f_2 - f_1$$

Figure 1-16 Bandwidth is the frequency range over which equipment operates or that portion of the spectrum occupied by the signal. This is the voice frequency bandwidth.



Example 1-5

A commonly used frequency range is 902 to 928 MHz. What is the width of this band?

$$\begin{aligned} f_1 &= 902 \text{ MHz} & f_2 &= 928 \text{ MHz} \\ BW &= f_2 - f_1 = 928 - 902 = 26 \text{ MHz} \end{aligned}$$

Example 1-6

Automotive radar has been assigned a bandwidth of 5 GHz. If the low-frequency limit is 76 GHz, what is the

upper-frequency limit?

$$BW = 5 \text{ GHz} \quad f_1 = 76 \text{ GHz}$$

$$BW = f_1 - f_2$$

$$f_2 = BW + f_1 = 5 + 76 = 81 \text{ GHz}$$

Channel Bandwidth

When information is modulated onto a carrier somewhere in the electromagnetic spectrum, the resulting signal occupies a small portion of the spectrum surrounding the carrier frequency. The modulation process causes other signals, called *sidebands*, to be generated at frequencies above and below the carrier frequency by an amount equal to the modulating frequency. For example, in AM broadcasting, audio signals up to 5 kHz can be transmitted. If the carrier frequency is 1000 kHz, or 1 MHz, and the modulating frequency is 5 kHz, sidebands will be produced at $1000 - 5 = 995 \text{ kHz}$ and at $1000 + 5 = 1005 \text{ kHz}$. In other words, the modulation process generates other signals that take up spectrum space. It is not just the carrier at 1000 kHz that is transmitted. Thus the term *bandwidth* refers to the range of frequencies that contain the information. The term *channel bandwidth* refers to the range of frequencies required to transmit the desired information.

Sideband

Channel bandwidth

The bandwidth of the aforementioned AM signal is the difference between the highest and lowest transmitting frequencies: $BW = 1005 \text{ kHz} - 995 \text{ kHz} = 10 \text{ kHz}$. In this case, the channel bandwidth is 10 kHz. An AM broadcast signal, therefore, takes up a 10-kHz piece of the spectrum.

Signals transmitting on the same frequency or on overlapping frequencies do, of course, interfere with one another. Thus a limited number of signals can be transmitted in the frequency spectrum. As communication activities have grown over the years, there has been a continuous demand for more frequency channels over which communication can be transmitted. This has caused a push for the development of equipment that operates at the higher frequencies. Prior to World War II, frequencies above 1 GHz were virtually unused, since there were no electronic components suitable for generating signals at those frequencies. But technological developments over the years have given us many microwave components such as klystrons, magnetrons, and traveling-wave tubes, and today transistors, integrated circuits, and other semiconductor devices that routinely work in the microwave and millimeter wave ranges.

More Room at the Top

The benefit of using the higher frequencies for communication carriers is that a signal of a given bandwidth represents a smaller percentage of the spectrum at the higher frequencies than at the lower frequencies. For example, at 1000 kHz, the 10-kHz-wide AM signal discussed earlier represents 1 percent of the spectrum:

$$\begin{aligned}\% \text{ of spectrum} &= \frac{10 \text{ kHz}}{1000 \text{ kHz}} \times 100 \\ &= 1\%\end{aligned}$$

But at 1 GHz, or 1,000,000 kHz, it represents only page 20 one-thousandth of 1 percent:

$$\begin{aligned}\% \text{ of spectrum} &= \frac{10 \text{ kHz}}{1,000,000 \text{ kHz}} \times 100 \\ &= 0.001\%\end{aligned}$$

GOOD TO KNOW

The Federal Communications Commission (FCC) was formed in 1934 to regulate interstate and foreign communication. A primary function of the FCC is to allocate bands of frequencies and set limitations on broadcast power for different types of radio and TV operations. The FCC also monitors broadcasts to detect unlicensed operations and technical violations. In addition to TV and radio stations, the FCC licenses about 50 million transmitters operated by individuals, businesses, ships and airplanes, emergency services, and telephone systems. FCC policy is set by five commissioners who are appointed by the President for five-year terms.

In practice, this means that there are many more 10-kHz channels at the higher frequencies than at the lower frequencies. In other words, there is more spectrum space for information signals at the higher frequencies.

The higher frequencies also permit wider-bandwidth signals to be used. A TV signal, e.g., occupies a bandwidth of 6 MHz. Such a signal cannot be used to modulate a carrier in the MF or HF ranges because it would use up all the available spectrum space. Television signals are transmitted in the VHF and UHF portions of the spectrum, where sufficient space is available.

Today, virtually the entire frequency spectrum between approximately 30 kHz and 100 GHz has been spoken for. Some open areas and portions of the spectrum are not heavily used, but for the most part, the spectrum is filled with communication activities of all kinds generated from all over the world. There is tremendous competition for these frequencies, not only between companies, individuals, and government services in individual carriers but also between the different nations of the world. The electromagnetic spectrum is one of our most precious natural resources. Some even feel that there is a spectrum shortage that inherently limits new wireless developments. Because of this, communication engineering is devoted to making the best use of that finite spectrum. A considerable amount of

effort goes into developing communication techniques that will minimize the bandwidth required to transmit given information and thus conserve spectrum space. This provides more room for additional communication channels and gives other services or users an opportunity to take advantage of it. Many of the techniques discussed later in this book evolved in an effort to minimize transmission bandwidth.

Spectrum Management

Governments of the United States and other countries recognized early on that the frequency spectrum was a valuable and finite natural resource and so set up agencies to control spectrum use. In the United States, Congress passed the Communications Act of 1934. This Act and its various amendments established regulations for the use of spectrum space. It also established the FCC, a regulatory body whose function is to allocate spectrum space, issue licenses, set standards, and police the airwaves. The Telecommunications Act of 1996 has also greatly influenced the use of spectrum. The FCC controls all telephone and radio communications in this country and, in general, regulates all electromagnetic emissions. The FCC even auctions off available segments of spectrum to the highest bidder. Telecommunications companies seeking new spectrum for more cell phone coverage are the main buyers. The *National Telecommunications and Information Administration (NTIA)* performs a similar function for government and military services. Other countries have similar organizations.

National Telecommunications and Information Administration (NTIA)

International Telecommunications Union (ITU)

The *International Telecommunications Union (ITU)*, an agency of the United Nations that is headquartered in

Geneva, Switzerland, comprises 189 member countries that meet at regular intervals to promote cooperation and negotiate national interests. Typical of these meetings are the World Administrative Radio Conferences, held approximately every two years. Various committees of the ITU set standards for various areas within the communication field. The ITU brings together the various countries to discuss how the frequency spectrum is to be divided up and shared. Because many of the signals generated in the spectrum do not carry for long distances, countries can use these frequencies simultaneously without interference. On the other hand, some ranges of the frequency spectrum can literally carry signals around the world. As a result, countries must negotiate with one another to coordinate usage of various portions of the high-frequency spectrum to prevent mutual interference.

Regulations

The rules and regulations for communications in the United States are defined by the Code of Federal Regulations (CFR) 47, Parts 0 through 100. Anyone working in the communications field should be familiar with it. You can find it online via the FCC website or order it from the Government Printing Office (GPO).

Standards

Standards are specifications and guidelines that companies and individuals follow to ensure compatibility between transmitting and receiving equipment in communication systems. Although the concepts of communication are simple, there are obviously many ways to send and receive information. A variety of methods are used to modulate, multiplex, and otherwise process the information to be

transmitted. If each system used different methods created at the whim of the designing engineer, the systems would be incompatible with one another and no communication could take place. In the real world, standards are set and followed so that when equipment is designed and built, compatibility is ensured. The term used to describe the ability of equipment from one manufacturer to work compatibly with that of another is *interoperability*.

Standards

Interoperability

Standards are detailed outlines of principles of operation, blueprints for construction, and methods of measurement that define communication equipment. Some of the specifications covered are modulation methods, frequency of operation, multiplexing methods, word length and bit formats, data transmission speeds, line coding methods, and cable and connector types. These standards are set and maintained by numerous nonprofit organizations around the world. Committees made up of individuals from industry and academia meet to establish and agree upon the standards, which are then published for others to use. Other committees review, revise, and enhance the standards over time, as needs change.

In working in the communication field, you will regularly encounter many different standards. For example, there are standards for long-distance telephone transmission, digital cell phones, local-area networks, and computer modems. Listed below are organizations that maintain standards for communication systems. For more details, go to the corresponding website.

American National Standards Institute (ANSI)—
www.ansi.org

Electronic Industries Alliance (EIA)—www.eia.org

European Telecommunications Standards Institute (ETSI)
—www.etsi.org

Institute of Electrical and Electronics Engineers (IEEE)—
www.ieee.org

International Telecommunications Union (ITU)—
www.itu.org

Internet Engineering Task Force (IETF)—www.ietf.org

Optical Internetworking Forum (OIF)—www.oiforum.com

Telecommunications Institute of America (TIA)—
www.tiaonline.org

Third Generation Partnership Project (3GPP)—
www.3gpp.org

1-7 A Survey of Communication Applications

The applications of electronic techniques to communication are so common and pervasive that you are already familiar with most of them. You use the telephone, listen to the radio, and watch TV. You also use other forms of electronic communication, such as cellular telephones, ham radios, CB and Family radios, home wireless networks for Internet access, texting, electronic mail, and remote-control garage door openers. Fig. 1-17 lists all the various major applications of electronic communication.

SIMPLEX (ONE-WAY)

1. *AM and FM radio broadcasting.* Stations broadcast music, news, weather reports, and programs for entertainment and information. It includes shortwave.
2. *Digital radio.* There is both satellite and terrestrial. Radio programming is transmitted in digital format.
3. *TV broadcasting.* Stations broadcast entertainment, informational, and educational programs by radio.
4. *Digital television (DTV).* Radio transmission of television programming is performed by digital methods, both satellite and terrestrial, e.g., high-definition television (HDTV) and Internet Protocol Television (IPTV). IPTV is also known as streaming video or over the top (OTT) TV.
5. *Cable television.* Movies, sports events, and other programs are distributed to subscribers by fiber-optic and coaxial cable.
6. *Facsimile.* Printed visual material is transmitted over telephone lines. A facsimile, or fax, machine scans a document and converts it to electronic signals that are sent over the telephone system for reproduction in printed form by another fax machine. Faxes can also be sent from a computer.
7. *Wireless remote control.* This category includes a device that controls any remote item by radio or infrared. Examples are missiles, satellites, drones, robots, toys, and other vehicles or remote plants or stations. A remote keyless entry device, garage door opener, and the remote control on your TV set are other examples.
8. *Internet of Things (IoT).* The monitoring or control of remote devices, appliances, and other items in a home, office, or other facility is usually accomplished by a combination of wireless and Internet connectivity.
9. *Navigation and direction-finding services.* Special stations transmit signals that can be picked up by receivers for the purpose of identifying exact location (latitude and longitude) or determining direction and/or distance from a station. Such systems employ both land-based and satellite stations. The services are used primarily by boats and ships or airplanes, although systems for cars and trucks are being developed. The Global Positioning System (GPS) which uses 24 satellites is the most widely used.
10. *Telemetry.* Measurements are transmitted over a long distance. Telemetry systems use sensors to determine physical conditions (temperature, pressure, flow rate, voltages, frequency, etc.) at a remote location. The sensors modulate a carrier signal that is sent by wire or radio to a remote receiver that stores and/or displays the data for analysis. Examples are satellites, rockets, pipelines, plants, and factories.
11. *Radio astronomy.* Radio signals, including infrared, are emitted by virtually all heavenly bodies such as stars and planets. With the use of large directional antennas and sensitive high-gain receivers, these signals may be picked up and used to plot star locations and study the universe. Radio astronomy is an alternative and supplement to traditional optical astronomy.
12. *Surveillance.* Surveillance means discreet monitoring or "spying." Electronic techniques are widely used by police forces, governments, the military, business and industry, and others to gather information for the purpose of gaining some competitive advantage. Techniques include phone taps, tiny wireless "bugs," clandestine listening stations, and reconnaissance airplanes and satellites.
13. *Music services.* Continuous background music is transmitted for doctors' offices, stores, elevators, and so on by local FM radio stations on special high-frequency subcarriers that cannot be picked up by conventional FM receivers. Internet music services like Apple Music, Spotify, Pandora, Google Play, Amazon Music, and many others are also available.
14. *Internet radio and video.* Music and video are delivered on a computer via the Internet.

DUPLEX (TWO-WAY)

15. *Telephones.* One-on-one verbal communication is transmitted over the vast worldwide telephone networks employing wire, fiber optics, radio, and satellites.
 - a. Cordless telephones provide short-distance wireless communication for cord-free convenience.
 - b. Cell phones provide worldwide wireless communications via handsets and base stations and the wired telephone system. In addition to voice communications, cell phones facilitate e-mail, Internet access, instant message service, video, and games.

(continues on next page)

- c. Internet telephones, known as voice over the Internet protocol (VoIP) phones, use high-speed broadband services (cable, DSL, wireless, fiber) over the Internet to provide digital voice communications.
 - d. Satellite phones use low-earth-orbit satellites to give worldwide voice service from any remote location on earth.
16. *Two-way radio.* Commercial, industrial, and government communication is transmitted between vehicles, hand-held units, and base stations. Examples include police, fire, taxi, forestry service, trucking companies, aircraft, marine, military, and government.
 17. *Radar.* This special form of communication makes use of reflected microwave signals for the purpose of detecting ships, planes, and missiles and for determining their range, direction, and speed. Most radar is used in military applications, but civilian aircraft and marine services also use it. Police use radar in speed detection and enforcement. Advanced driver assistance systems (ADAS) in many newer vehicles use radar for speed control, automated braking, and obstacle detection.
 18. *Sonar.* In underwater communication, audible base-band signals use water as the transmission medium. Submarines and ships use sonar to detect the presence of enemy submarines. Passive sonar uses audio receivers to pick up water, propeller, and other noises. Active sonar is like an underwater radar with which reflections from a transmitted ultrasonic pulse are used to determine the direction, range, and speed of an underwater target.
 19. *Amateur radio.* This is a hobby for individuals interested in radio communication. Individuals may become licensed "hams" to build and operate two-way radio equipment for personal communication with other hams.
 20. *Citizens radio.* Citizens band (CB) radio is a special service that any individual may use for personal communication with others. Most CB radios are used in trucks and cars for exchanging information about traffic conditions, speed traps, and emergencies.
 21. *Family Radio Service.* This is a two-way personal communication with handheld units over short distances (<2 mi).
 22. *The Internet.* Worldwide interconnections via fiber-optic networks, telecommunications companies, cable TV companies, Internet service providers, and others provide World Wide Web (WWW) access to millions of websites and pages and electronic mail (e-mail).
 23. *Wide-Area Networks (WANs).* Worldwide fiber-optic networks provide long-distance telephone and Internet services.
 24. *Metropolitan-area networks (MANs).* Networks of computers transmit over a specific geographic area such as a college campus, company facility, or city. Normally they are implemented with fiber-optic cable, but may also be coaxial cable or wireless.
 25. *Local-area networks (LANs).* Wired (or wireless) interconnections of personal computers (PCs), laptops, servers, or mainframe computers within an office or building for the purpose of e-mail, Internet access, or the sharing of mass storage, peripherals, data, and software.

1-8 Jobs and Careers in the Communication Industry

The electronics industry is roughly divided into four major specializations. The largest in terms of people employed and the dollar value of equipment purchased is the communications field, closely followed by the computer field. The industrial control and instrumentation fields are considerably smaller. Hundreds of thousands of employees are in the communication field, and billions of dollars' worth of equipment is purchased each year. The growth rate varies from year to year depending upon the economy, technological developments, and other factors. But, as in most areas in electronics, the communication field has

grown steadily over the years, thanks to the Internet and the exploding cellular industry, creating a relatively constant opportunity for employment. If your interests lie in communication, you will be glad to know that there are many opportunities for long-term jobs and careers. The next section outlines the types of jobs available and the major kinds of employers.

Types of Jobs

The two major types of technical positions available in the communication field are engineer and technician.

Engineers. *Engineers* design communication equipment and systems. They have bachelor's (B.S.E.E.), master's (M.S.E.E.), or doctoral (Ph.D.) degrees in electrical engineering, giving them a strong science and mathematics background combined with specialized education in electronic circuits and equipment. Engineers work from specifications and create new integrated circuits, equipment or systems, which are then manufactured.

Engineer

Many engineers have a bachelor's degree in electronics technology from a technical college or university. Some typical degree titles are bachelor of technology (B.T.), bachelor of engineering technology (B.E.T.), and bachelor of science in engineering technology (B.S.E.T.).

Bachelor of technology programs are sometimes extensions of two-year associate degree programs. In the two additional years required for a bachelor of technology degree, the student takes more complex electronics courses along with additional science, math, and humanities courses. The main difference between the B.T. graduate and the engineering graduate is that the technologist usually takes courses that are more practical and hands-on than

engineering courses. Holders of B.T. degrees can generally design electronic equipment and systems but do not typically have the depth of background in analytical mathematics or science that is required for complex design jobs. However, B.T. graduates are generally employed as engineers. Although many do design work, others are employed in engineering positions in manufacturing and field service rather than design.

Some engineers specialize in design; others work in manufacturing, testing, quality control, and management, among other areas. Engineers may also serve as field service personnel, installing and maintaining complex equipment and systems. If your interest lies in the design of communication equipment, then an engineering position may be for you.

Although a degree in electrical engineering is generally the minimum entrance requirement for engineers' jobs in most organizations, people with other educational backgrounds (e.g., physics and math) do become engineers. Technicians who obtain sufficient additional education and appropriate experience may go on to become engineers.

Technicians. *Technicians* have some kind of postsecondary education in electronics, from a vocational or technical school, a community college, or a technical institute. Many technicians are educated in military training programs. Most technicians have an average of two years of formal post-high school education and an associate degree. Common degrees are associate in arts (A.A.), associate in science (A.S.) or associate of science in engineering technology or electronic engineering technology (A.S.E.T. or A.S.E.E.T.), and associate in applied science (A.A.S.). The A.A.S. degrees tend to cover more occupational and job-related subjects; the A.A. and A.S. degrees are more general and are designed to provide a foundation for transfer to a bachelor's degree program. Technicians with an associate degree from

a community college can usually transfer to a bachelor of technology program and complete the bachelor's degree in another two years. However, associate degree holders are usually not able to transfer to an engineering degree program but must literally start over if the engineering career path is chosen.

Technician

Technicians are most often employed in service jobs. The work typically involves equipment installation, troubleshooting and repair, testing and measuring, maintenance and adjustment, or operation. Technicians in such positions are sometimes called *field service technicians*, *field service engineers*, or *customer representatives*.

Technicians can also be involved in engineering. Engineers may use one or more technicians to assist in the design of equipment. They build and troubleshoot prototypes and in many cases actually participate in equipment design. A great deal of the work involves testing and measuring. In this capacity, the technician is known as an *engineering technician*, *lab technician*, *engineering assistant*, or *associate engineer*.

Technicians are also employed in manufacturing. page 25 They may be involved in the actual building and assembling of the equipment, but more typically are concerned with final testing and measurement of the finished products. Other positions involve quality control or repair of defective units. One type of high-paid technician in short supply is the tower climber who installs, maintains, and repairs antennas, cabling, and lighting.

Other Positions. There are many jobs in the communication industry other than those of engineer or technician. For example, there are many outstanding jobs in

technical sales. Selling complex electronic communication equipment often requires a strong technical education and background. The work may involve determining customer needs and related equipment specifications, writing technical proposals, making sales presentations to customers, and attending shows and exhibits where equipment is sold. The pay potential in sales is generally much higher than that in the engineering or service positions.

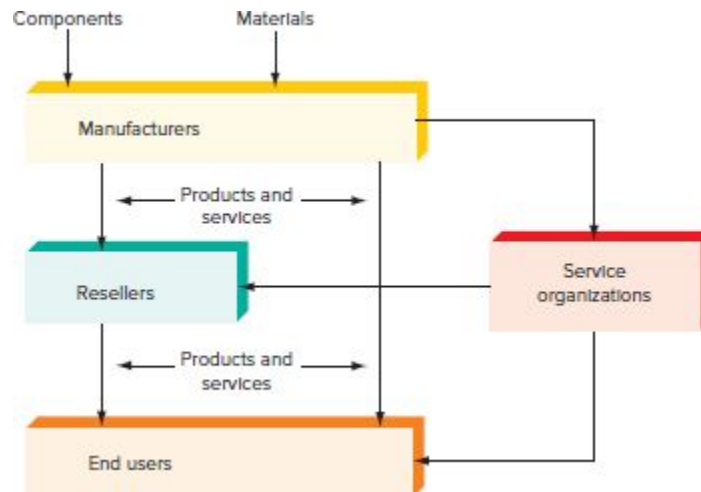
Another position is that of technical writer. Technical writers generate the technical documentation for communication equipment and systems, producing installation and service manuals, maintenance procedures, and customer operations manuals. This important task requires considerable depth of education and experience.

Finally, there is the position of trainer. Engineers and technicians are often used to train other engineers and technicians or customers. With the high degree of complexity that exists in communication equipment today, there is a major need for training. Many individuals find education and training positions to be very desirable and satisfying. The work typically involves developing curriculum and programs, generating the necessary training manuals and presentation materials, creating online training, and conducting classroom training sessions in-house or at a customer site.

Major Employers

The overall structure of the communication electronics industry is shown in Fig. 1-18. The four major segments of the industry are manufacturers, resellers, service organizations, and end users.

Figure 1-18 Structure of the communication electronics industry.



Manufacturers. It all begins, of course, with customer needs. Manufacturers translate customer needs into products, purchasing components and materials from other electronics companies to use in creating the products. Engineers design the products, and manufacturing produces them. Manufacturing also includes the companies that make the components like integrated circuits, transistors, capacitors, and other basic parts. There are jobs for engineers, technicians, salespeople, field service personnel, technical writers, and trainers.

Resellers. Manufacturers who do not sell products page 26 directly to end users sell the products to reselling organizations, which in turn sell them to the end user. For example, a manufacturer of marine communication equipment may not sell directly to a boat owner but instead to a regional distributor or marine electronics store or shop. This shop not only sells the equipment but also takes care of installation, service, and repairs. A cellular telephone or fax machine manufacturer also typically sells to a distributor or dealer who takes care of sales and service. Most of the jobs available in the reselling segment of the industry are in sales, service, and training.

Service Organizations. These companies usually perform some kind of service, such as repair, installation, or maintenance. One example is an avionics company that does installation or service work on electronic equipment for private planes. Another is a systems integrator, a company that designs and assembles a piece of communication equipment or more often an entire system by using the products of other companies. Systems integrators put together systems to meet special needs and customize existing systems for particular jobs. Other types of service organization are the communications services providers like cellular network carriers (e.g., AT&T, Verizon), Internet providers, cable TV companies, and Internet web companies (e.g., Google, Yahoo, Amazon).

End Users. The end user is the ultimate customer—and a major employer. Today, almost every person and organization is an end user of communication equipment. The major categories of end users in the communication field are:

- Telephone companies
- Radio users—mobile, marine, aircraft, etc.
- Radio and TV broadcast stations and cable TV companies
- Business and industry users of satellites, networks, etc.
- Transportation companies (airlines, shipping, railroads)
- Government and military
- Internet companies
- Personal and hobby
- Consumers

There are an enormous number of communication jobs with end users. Most are of the service type: installation, repair, maintenance, and operation of equipment.

Most communication technicians perform installation, maintenance, and troubleshooting.



Fuse/Getty Images

Licensing and Certification

page 27

A good way to validate your knowledge of communications electronics is to obtain a relevant license or certification.

For engineers, there is the professional engineering (PE) license or registration. Engineering specialties include one in Electrical and Computer: Electronics, Controls, and Communications. The license requires a bachelor's degree in engineering, several examinations, and a minimum of years of work experience in the field. Some jobs require an FCC license to ensure your competence in electronics and knowledge of the related rules and regulations. Otherwise, the main benefit of a license or certification is to prove your knowledge and skills to a prospective employer. Such a credential is an added bonus to any A.A.S., B.S.E.T., or B.S.E.E. degree you may get. For some employers, a license or certification may be acceptable in lieu of a degree.

Licensing and certification typically require taking an exam on communications topics. The FCC exam includes tests on rules and regulations as well as electronic fundamentals and communications circuits, equipment, and practices. Most certifications also have exams that cover the same electronic fundamentals and communications circuits, equipment, and practices. Some certifications require a specific amount of job experience.

Listed below are some of the licenses and certifications available for communications.

- FCC General Radiotelephone Operators License (GROL)—Two-part exam on rules and regulations and communications electronics. An optional exam on radar is available. No job experience is required.
- International Society of Certified of Electronic Technicians (ISCET)—This organization offers several basic certifications in electronic fundamentals as well as a journeyman certification in a variety of electronic specializations including communications. No job experience is required.
- Electronic Technicians Association International (ETA-I)—This organization offers a wide range of certifications on electronics with specializations in electronic fundamentals, communications, radar, fiber optics, and several others.
- The International Association for Radio, Telecommunications and Electromagnetics (iNARTE)—This organization offers multiple certifications in all phases of communications, including telecommunications, electromagnetic compatibility, and wireless devices at both the technician and engineering levels. These certifications require various education levels (degrees) and job experience as well as exams.

- Cisco—This company is a major supplier of networking and wireless equipment and offers certifications in many networking-related areas. An example is the Cisco Certified Network Associate (CCNA) Wireless. Cisco certification is widely recognized throughout industry.
- For engineers, there is the professional engineering (PE) license or registration. Engineering specialties include one in Electrical and Computer: Electronics, Controls, and Communications. The license requires a bachelor's degree in engineering, several examinations, and a minimum number of years of relevant work experience.
- The Institute of Electrical and Electronic Engineers (IEEE) offers the Wireless Communications Engineering Technology (WCET) certification. This credential is given after one passes a comprehensive and rigorous exam on wireless fundamentals with an emphasis on cellular technology.

There are other certifications for a variety of specialties that you will discover. Many of the certifying organizations, such as ETA-I, ISCET, and iNARTE, are also granted authority to give the FCC GROL exams. The GROL is probably the best overall credential to have for wireless jobs, and you may wish to complement it with a certification appropriate to the work you are seeking.

Certification and licensing is an excellent way to page 28 prove to yourself and any employer that you are knowledgeable and competent in communications. Give serious consideration to this opportunity.

CHAPTER REVIEW

Online Activity

1-1 Exploring the Regulatory Agencies

Objective: Become familiar with the FCC and NTIA.

Procedure:

1. Go to the FCC website at www.fcc.gov.
2. Explore the website.
3. Go to the NTIA website at www.nita.doc.gov.
4. Explore the website.
5. Use these websites and their search feature to answer the questions below.

Questions:

1. To whom does the FCC report within the government?
2. To whom does the NTIA report within the government?
3. What is the purpose and function of the FCC?
4. What is the purpose and function of the NTIA?
5. What is the FCC Code of Federal Regulations (CFR) Title 47?
6. On the NTIA website, locate the large colorful frequency spectrum chart. Examine it to see what services are identified and where they are located. Is the chart available as a wall chart for purchase?

1-2 Examining FCC Rules and Regulations

Objective: Investigate FCC CFR Title 47 and find answers to electronic communication rules and regulations.

Procedure:

1. Go to the FCC website www.fcc.gov.
2. Click on the rules and regulations link on the left.
3. Access FCC CFR Title 47.
4. Study the different parts.
5. Use this reference to answer the questions below.

Questions:

1. What is contained in Subpart A of Part 2 that may be useful?
2. In Part 2, what communications services can occupy the spectrum from 108 to 138 MHz?
3. What part pertains to commercial operators' licenses?
4. Describe briefly what is in Part 15.
5. Describe briefly what is in Part 18.
6. Which part covers TV broadcasting?
7. What part covers radar?
8. What parts cover Citizens' Band radio and the Family Radio Service? State the frequency bands of each.
9. Is cable TV regulated by the FCC? Which part if so?
10. List all of the modes and modulation methods allowed by amateur radio operation.
11. Which part covers RF interference and electromagnetic compatibility?
12. Which parts cover cell phones and wireless local-area networks?

1-3 Investigate Licensing and Certification

Objective: To learn more about the benefits of licensing and certification and how to obtain them.

Procedure:

1. Go to the FCC website www.fcc.gov.
2. On the FCC site, locate the information on commercial operators' licenses (GROL).

3. Go to each of the following websites and investigate these major licensing and certification sources:
 - a. International Society of Certified Electronic Technicians—www.iset.org.
 - b. Electronic Technician Association International—www.eta-i.org.
 - c. The International Association for Radio, Telecommunications and Electromagnetics—www.narte.org.
 - d. National Council of Examiners for Engineering and Surveying (NCEES).
4. Check out the certification options at Cisco and Microsoft.
5. Answer the questions below.

Questions:

page 29

1. What is the GROL and who is required to have one?
2. What is the procedure for getting a GROL?
3. List any available supplements to the GROL.
4. List the basic requirements for a communications-related certification from each of the organizations listed above. Which one appeals to you most?
5. Which certification requires education and job experience qualifications?

Questions

1. In what century did electronic communication begin?
2. Name the four main elements of a communication system, and draw a diagram that shows their relationship.
3. List five types of media used for communication, and state which three are the most commonly used.

4. Name the device used to convert an information signal to a signal compatible with the medium over which it is being transmitted.
5. What piece of equipment acquires a signal from a communication medium and recovers the original information signal?
6. What is a transceiver?
7. What are two ways in which a communication medium can affect a signal?
8. What is another name for *communication medium*?
9. What is the name given to undesirable interference that is added to a signal being transmitted?
10. Name three common sources of interference.
11. What is the name given to the original information or intelligence signals that are transmitted directly via a communication medium?
12. Name the two forms in which intelligence signals can exist.
13. What is the name given to one-way communication? Give three examples.
14. What is the name given to simultaneous two-way communication? Give three examples.
15. What is the term used to describe two-way communication in which each party takes turns transmitting? Give three examples.
16. What type of electronic signals are continuously varying voice and video signals?
17. What are on/off intelligence signals called?
18. How are voice and video signals transmitted digitally?
19. What terms are often used to refer to original voice, video, or data signals?
20. What technique must sometimes be used to make an information signal compatible with the medium over which it is being transmitted?
21. What is the process of recovering an original signal called?

- 22.** What is a broadband signal?
- 23.** Name the process used to transmit two or more baseband signals simultaneously over a common medium.
- 24.** Name the technique used to extract multiple intelligence signals that have been transmitted simultaneously over a single communication channel.
- 25.** What is the name given to signals that travel through free space for long distances?
- 26.** What does a radio wave consist of?
- 27.** Calculate the wavelength of signals with frequencies of 1.5 kHz, 18 MHz, and 22 GHz in miles, feet, and centimeters, respectively.
- 28.** Why are audio signals not transmitted directly by electromagnetic waves?
- 29.** What is the human hearing frequency range?
- 30.** What is the approximate frequency range of the human voice?
- 31.** Do radio transmissions occur in the VLF and LF ranges?
- 32.** What is the frequency range of AM radio broadcast stations?
- 33.** What is the name given to radio signals in the high-frequency range?
- 34.** In what segment of the spectrum do TV channels 2 to 13, and FM broadcasting, appear?
- 35.** List five major uses of the UHF band.
- 36.** What are frequencies above 1 GHz called?
- 37.** What are the frequencies just above the EHF range called?
- 38.** What is a micrometer, and what is it used to measure?
- 39.** Name the three segments of the optical frequency spectrum.
- 40.** What is a common source of infrared signals?
- 41.** What is the approximate spectrum range of infrared signals?

42. Define the term *angstrom* and explain how it is used.
43. What is the wavelength range of visible light?
44. Which two channels or media do light signals use for electronic communication?
45. Name two methods of transmitting visual data over a telephone network.
46. What is the name given to the signaling of individuals at remote locations by radio?
47. What term is used to describe the process of making measurements at a distance?
48. List four ways radio is used in the telephone system.
49. What principle is used in radar?
50. What is underwater radar called? Give two examples.
51. What is the name of a popular radio communication hobby?
52. What device enables computers to exchange digital data over the telephone network?
53. What do you call the systems of interconnections of PCs and other computers in offices or buildings?
54. What is a generic synonym for radio?
55. Name the three main types of technical positions available in the communication field.
56. What is the main job of an engineer?
57. What is the primary degree for an engineer?
58. What is the primary degree for a technician?
59. Name a type of technical degree in engineering other than engineer or technician.
60. Can the holder of an associate of technology degree transfer the credits to an engineering degree program?
61. What types of work does a technician ordinarily do?
62. List three other types of jobs in the field of electronic communication that do not involve engineering or technician's work.
63. What are the four main segments of the communication industry? Explain briefly the function of

each.

64. Why are standards important?

65. What types of characteristics do communication standards define?

Problems

1. Calculate the frequency of signals with wavelengths of 40 m, 5 m, and 8 cm. ♦
2. In what frequency range does the common ac power line frequency fall?
3. What is the primary use of the SHF and EHF ranges? ♦

♦ *Answers to Selected Problems follow Chap. 23.*

Critical Thinking

1. Name three ways that a higher-frequency signal called the carrier can be varied to transmit the intelligence.
2. Name two common household remote-control units, and state the type of media and frequency ranges used for each.
3. How is radio astronomy used to locate and map stars and other heavenly bodies?
4. In what segment of the communication field are you interested in working, and why?
5. Assume that all the electromagnetic spectrum from ELF through microwaves was fully occupied. Explain some ways that communication capability could be added.
6. What is the speed of light in feet per microsecond? In inches per nanosecond? In meters per second?
7. Make a general statement comparing the speed of light with the speed of sound. Give an example of how the principles mentioned might be demonstrated.

- 8.** List five real-life communication applications not specifically mentioned in this chapter.
- 9.** “Invent” five new communication methods, wired or wireless, that you think would be practical.
- 10.** Assume that you have a wireless application you would like to design, build, and sell as a commercial product. You have selected a target frequency in the UHF range. How would you decide what frequency to use, and how would you get permission to use it?
- 11.** Make an exhaustive list of all the electronic communication products that you own, have access to at home or in the office, and/or use on a regular basis.
- 12.** You have probably seen or heard of a simple communication system made of two paper cups and a long piece of string. How could such a simple system work?

Electronic Fundamentals for Communications

To understand communication electronics as presented in this book, you need a knowledge of certain basic principles of electronics, including the fundamentals of alternating-current (ac) and direct-current (dc) circuits, semiconductor operation and characteristics, and basic electronic circuit operation (amplifiers, oscillators, power supplies, and digital logic circuits). Some of the basics are particularly critical to understanding the chapters that follow. These include the expression of gain and loss in decibels, *LC* tuned circuits, resonance and filters, and Fourier theory. The purpose of this chapter is to briefly review all these subjects. If you have studied the material before, it will simply serve as a review and reference. If, because of your own schedule or the school's curriculum, you have not previously covered this material, use this chapter to learn the necessary information before you continue.

Objectives

After completing this chapter, you will be able to:

- Calculate voltage, current, gain, and attenuation in decibels and apply these formulas in applications involving cascaded circuits.

- Explain the relationship between Q, resonant frequency, and bandwidth.
- Describe the basic configuration of the different types of filters that are used in communication networks and compare and contrast active filters with passive filters.
- Explain how using switched capacitor filters enhances selectivity.
- Explain the benefits and operation of crystal, ceramic, SAW, and BAW filters.
- State and explain the Fourier theory and give examples of how it is used.

2-1 Gain, Attenuation, and Decibels

Most electronic circuits in communication are used to process signals, i.e., to manipulate signals to produce a desired result. All signal processing circuits involve either gain or attenuation.

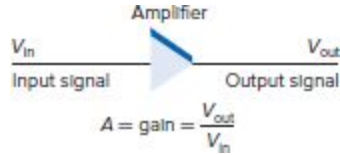
Gain

Gain means amplification. If a signal is applied to a circuit such as the amplifier shown in Fig. 2-1 and the output of the circuit has a greater amplitude than the input signal, the circuit has gain. Gain is simply the ratio of the output to the input. For input (V_{in}) and output (V_{out}) voltages, voltage gain A_v is expressed as follows:

Gain

$$A_v = \frac{\text{output}}{\text{input}} = \frac{V_{out}}{V_{in}}$$

Figure 2-1 An amplifier has gain.



The number obtained by dividing the output by the input shows how much larger the output is than the input. For example, if the input is $150 \mu\text{V}$ and the output is 75 mV , the gain is $A_v = (75 \times 10^{-3}) / (150 \times 10^{-6}) = 500$.

The formula can be rearranged to obtain the input or the output, given the other two variables: $V_{out} = V_{in} \times A_v$ and $V_{in} = V_{out} / A_v$.

If the output is 0.6 V and the gain is 240 , the input is $V_{in} = 0.6 / 240 = 2.5 \times 10^{-3} = 2.5 \text{ mV}$.

Example 2-1

What is the voltage gain of an amplifier that produces an output of 750 mV for a $30\text{-}\mu\text{V}$ input?

$$A_v = \frac{V_{out}}{V_{in}} = \frac{750 \times 10^{-3}}{30 \times 10^{-6}} = 25,000$$

Since most amplifiers are also power amplifiers, the same procedure can be used to calculate power gain A_p :

$$A_p = \frac{P_{out}}{P_{in}}$$

where P_{in} is the power input and P_{out} is the power output.

Example 2-2

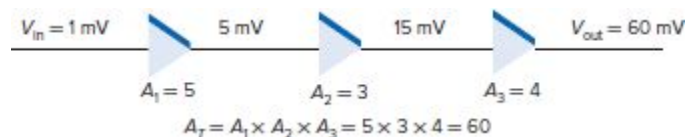
The power output of an amplifier is 6 watts (W). The power gain is 80. What is the input power?

$$A_p = \frac{P_{\text{out}}}{P_{\text{in}}} \quad \text{therefore} \quad P_{\text{in}} = \frac{P_{\text{out}}}{A_p}$$

$$P_{\text{in}} = \frac{6}{80} = 0.075 \text{ W} = 75 \text{ mW}$$

When two or more stages of amplification or other [page 33](#) forms of signal processing are cascaded, the overall gain of the combination is the product of the individual circuit gains. Fig. 2-2 shows three amplifiers connected one after the other so that the output of one is the input to the next. The voltage gains of the individual circuits are marked. To find the total gain of this circuit, simply multiply the individual circuit gains: $A_T = A_1 \times A_2 \times A_3 = 5 \times 3 \times 4 = 60$.

Figure 2-2 Total gain of cascaded circuits is the product of individual stage gains.



If an input signal of 1 mV is applied to the first amplifier, the output of the third amplifier will be 60 mV. The outputs of the individual amplifiers depend upon their individual gains. The output voltage from each amplifier is shown in Fig. 2-2.

Example 2-3

Three cascaded amplifiers have power gains of 5, 2, and 17. The input power is 40 mW. What is the output

power?

$$A_p = A_1 \times A_2 \times A_3 = 5 \times 2 \times 17 = 170$$

$$A_p = \frac{P_{\text{out}}}{P_{\text{in}}} \quad \text{therefore} \quad P_{\text{out}} = A_p P_{\text{in}}$$

$$P_{\text{out}} = 170(40 \times 10^{-3}) = 6.8 \text{ W}$$

Example 2-4

A two-stage amplifier has an input power of $25 \mu\text{W}$ and an output power of 1.5 mW . One stage has a gain of 3. What is the gain of the second stage?

$$A_p = \frac{P_{\text{out}}}{P_{\text{in}}} = \frac{1.5 \times 10^{-3}}{25 \times 10^{-6}} = 60$$

$$A_p = A_1 \times A_2$$

If $A_1 = 3$, then $60 = 3 \times A_2$ and $A_2 = 60/3 = 20$.

Attenuation

page 34

Attenuation refers to a loss introduced by a circuit or component. Many electronic circuits, sometimes called stages, reduce the amplitude of a signal rather than increase it. If the output signal is lower in amplitude than the input, the circuit has loss, or attenuation. Like gain, attenuation is simply the ratio of the output to the input. The letter A is used to represent attenuation as well as gain:

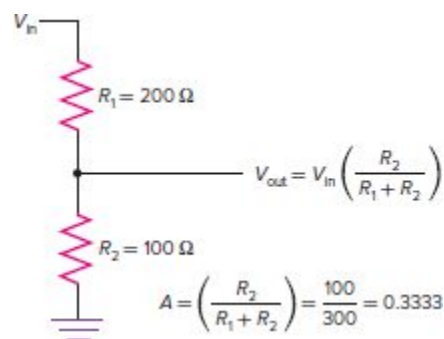
Attenuation

$$\text{Attenuation } A = \frac{\text{output}}{\text{input}} = \frac{V_{\text{out}}}{V_{\text{in}}}$$

Circuits that introduce attenuation have a gain that is less than 1. In other words, the output is some fraction of the input.

An example of a simple circuit with attenuation is a voltage divider such as that shown in Fig. 2-3. The output voltage is the input voltage multiplied by a ratio based on the resistor values. With the resistor values shown, the gain or attenuation factor of the circuit is $A = R_2/(R_1 + R_2) = 100/(200 + 100) = 100/300 = 0.3333$. If a signal of 10 V is applied to the attenuator, the output is $V_{out} = V_{in}A = 10(0.3333) = 3.333$ V.

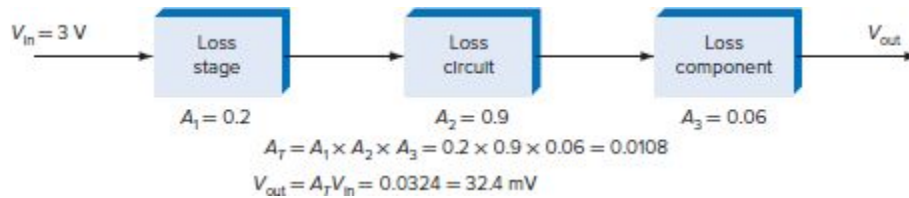
Figure 2-3 A voltage divider introduces attenuation.



When several circuits with attenuation are cascaded, the total attenuation is, again, the product of the individual attenuations. The circuit in Fig. 2-4 is an example. The attenuation factors for each circuit are shown. The overall attenuation is

$$A_T = A_1 \times A_2 \times A_3$$

Figure 2-4 Total attenuation is the product of individual attenuations of each cascaded circuit.



With the values shown in Fig. 2-4, the overall attenuation is

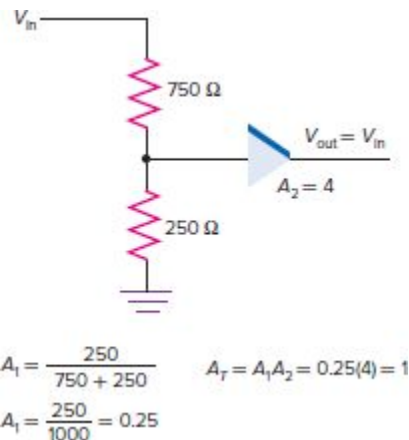
$$A_T = 0.2 \times 0.9 \times 0.06 = 0.0108$$

Given an input of 3 V, the output voltage is

$$V_{out} = A_T V_{in} = 0.0108(3) = 0.0324 = 32.4 \text{ mV}$$

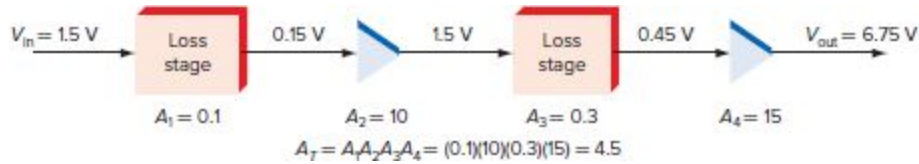
It is common in communication systems and page 35 equipment to cascade circuits and components that have gain and attenuation. For example, loss introduced by a circuit can be compensated for by adding a stage of amplification that offsets it. An example of this is shown in Fig. 2-5. Here the voltage divider introduces a 4-to-1 voltage loss, or an attenuation of 0.25. To offset this, it is followed with an amplifier whose gain is 4. The overall gain or attenuation of the circuit is simply the product of the attenuation and gain factors. In this case, the overall gain is $A_T = A_1 A_2 = 0.25(4) = 1$.

Figure 2-5 Gain exactly offsets the attenuation.



Another example is shown in Fig. 2-6, which shows two attenuation circuits and two amplifier circuits. The individual gain and attenuation factors are given. The overall circuit gain is $A_T = A_1 A_2 A_3 A_4 = (0.1)(10)(0.3)(15) = 4.5$.

Figure 2-6 The total gain is the product of the individual stage gains and attenuations.



For an input voltage of 1.5 V, the output voltage at each circuit is shown in Fig. 2-6.

In this example, the overall circuit has a net gain. But in some instances, the overall circuit or system may have a net loss. In any case, the overall gain or loss is obtained by multiplying the individual gain and attenuation factors.

Example 2-5

A voltage divider such as that shown in Fig. 2-5 has values of $R_1 = 10 \text{ k}\Omega$ and $R_2 = 470 \Omega$.

- a.** What is the attenuation?

$$A_1 = \frac{R_2}{R_1 + R_2} = \frac{470}{10,470} \quad A_1 = 0.045$$

- b.** What amplifier gain would you need to offset the loss for an overall gain of 1?

$$A_T = A_1 A_2$$

where A_1 is the attenuation and A_2 is the amplifier gain.

$$1 = 0.045A_2 \quad A_2 = \frac{1}{0.045} = 22.3$$

Note: To find the gain that will offset the loss for unity gain, just take the reciprocal of attenuation: $A_2 = 1/A_1$.

Example 2-6

An amplifier has a gain of 45,000, which is too much for the application. With an input voltage of $20 \mu\text{V}$, what attenuation factor is needed to keep the output voltage from exceeding 100 mV? Let A_1 = amplifier gain = 45,000; A_2 = attenuation factor; A_T = total gain.

$$A_T = \frac{V_{\text{out}}}{V_{\text{in}}} = \frac{100 \times 10^{-3}}{20 \times 10^{-6}} = 5000$$

$$A_T = A_1 A_2 \quad \text{therefore} \quad A_2 = \frac{A_T}{A_1} = \frac{5000}{45,000} = 0.1111$$

Decibels

The gain or loss of a circuit is usually expressed in *decibels (dB)*, a unit of measurement that was originally created as a way of expressing the hearing response of the human ear to various sound levels. A decibel is one-tenth of a bel.

Decibel (dB)

When gain and attenuation are both converted to decibels, the overall gain or attenuation of an electronic circuit can be computed by simply adding the individual gains or attenuations, expressed in decibels.

It is common for electronic circuits and systems to have extremely high gains or attenuations, often in excess of 1

million. Converting these factors to decibels and using logarithms result in smaller gain and attenuation figures, which are easier to use.

Decibel Calculations. The formulas for computing the decibel gain or loss of a circuit are

$$\text{dB} = 20 \log \frac{V_{\text{out}}}{V_{\text{in}}} \quad (1)$$

$$\text{dB} = 20 \log \frac{I_{\text{out}}}{I_{\text{in}}} \quad (2)$$

$$\text{dB} = 10 \log \frac{P_{\text{out}}}{P_{\text{in}}} \quad (3)$$

Formula (1) is used for expressing the voltage gain or attenuation of a circuit; formula (2), for current gain or attenuation. The ratio of the output voltage or current to the input voltage or current is determined as usual. The base-10 or common log of the input/output ratio is then obtained and multiplied by 20. The resulting number is the gain or attenuation in decibels.

Formula (3) is used to compute power gain or page 37 attenuation. The ratio of the power output to the power input is computed, and then its logarithm is multiplied by 10.

Example 2-7

- a. An amplifier has an input of 3 mV and an output of 5 V. What is the gain in decibels?

$$\text{dB} = 20 \log \frac{5}{0.003} = 20 \log 1666.67 = 20(3.22) = 64.4$$

- b. A filter has a power input of 50 mW and an output of 2 mW. What is the gain or attenuation?

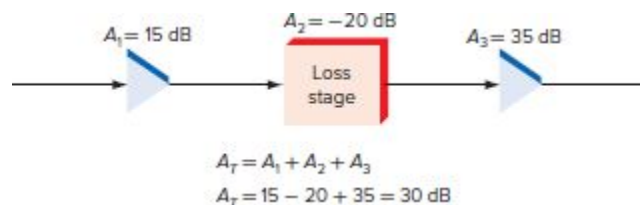
$$\text{dB} = 10 \log \frac{2}{50} = 10 \log 0.04 = 10(-1.398) = -13.98$$

Note that when the circuit has gain, the decibel figure is positive. If the gain is less than 1, which means that there is an attenuation, the decibel figure is negative.

Now, to calculate the overall gain or attenuation of a circuit or system, you simply add the decibel gain and attenuation factors of each circuit. An example is shown in Fig. 2-7, where there are two gain stages and an attenuation block. The overall gain of this circuit is

$$A_T = A_1 + A_2 + A_3 = 15 - 20 + 35 = 30 \text{ dB}$$

Figure 2-7 Total gain or attenuation is the algebraic sum of the individual stage gains in decibels.



Decibels are widely used in the expression of gain and attenuation in communication circuits. The table on the next page shows some common gain and attenuation factors and their corresponding decibel figures.

Ratios less than 1 give negative decibel values, indicating attenuation. Note that a 2:1 ratio represents a 3-dB power gain or a 6-dB voltage gain.

Antilogs. To calculate the input or output voltage or power, given the decibel gain or attenuation and the output or input, the *antilog* is used. The antilog is the number obtained when the base is raised to the logarithm, which is the exponent:

Antilog

$$\text{dB} = 10 \log \frac{P_{\text{out}}}{P_{\text{in}}} \quad \text{and} \quad \frac{\text{dB}}{10} = \log \frac{P_{\text{out}}}{P_{\text{in}}}$$

and

$$\frac{P_{\text{out}}}{P_{\text{in}}} = \text{antilog} \frac{\text{dB}}{10} = \log^{-1} \frac{\text{dB}}{10}$$

The antilog is simply the base 10 raised to the $\text{dB}/10$ power.

page 38

dB GAIN OR ATTENUATION		
Ratio (Power or Voltage)	Power	Voltage
0.000001	-60	-120
0.00001	-50	-100
0.0001	-40	-80
0.001	-30	-60
0.01	-20	-40
0.1	-10	-20
0.5	-3	-6
1	0	0
2	3	6
10	10	20
100	20	40
1000	30	60
10,000	40	80
100,000	50	100

Remember that the logarithm y of a number N is the power to which the base 10 must be raised to get the number.

$$N = 10^y \quad \text{and} \quad y = \log N$$

Since

$$\text{dB} = 10 \log \frac{P_{\text{out}}}{P_{\text{in}}}$$
$$\frac{\text{dB}}{10} = \log \frac{P_{\text{out}}}{P_{\text{in}}}$$

Therefore

$$\frac{P_{\text{out}}}{P_{\text{in}}} = 10^{\text{dB}/10} = \log^{-1} \frac{\text{dB}}{10}$$

The antilog is readily calculated on a scientific calculator. To find the antilog for a common or base-10 logarithm, you normally press the **Inv** or **2nd** function key on the calculator and then the **log** key. Sometimes the log key is marked with 10^x , which is the antilog. The antilog with base e is found in a similar way, by using the **Inv** or **2nd** function on the **ln** key. It is sometimes marked e^x , which is the same as the antilog.

Example 2-8

A power amplifier with a 40-dB gain has an output power of 100 W. What is the input power?

$$\text{dB} = 10 \log \frac{P_{\text{out}}}{P_{\text{in}}} \quad \text{antilog} = \log^{-1}$$

$$\frac{\text{dB}}{10} = \log \frac{P_{\text{out}}}{P_{\text{in}}}$$

$$\frac{40}{10} = \log \frac{P_{\text{out}}}{P_{\text{in}}}$$

$$4 = \log \frac{P_{\text{out}}}{P_{\text{in}}}$$

$$\text{antilog } 4 = \text{antilog} \left(\log \frac{P_{\text{out}}}{P_{\text{in}}} \right)$$

$$\log^{-1} 4 = \frac{P_{\text{out}}}{P_{\text{in}}}$$

$$\frac{P_{\text{out}}}{P_{\text{in}}} = 10^4 = 10,000$$

$$P_{\text{in}} = \frac{P_{\text{out}}}{10,000} = \frac{100}{10,000} = 0.01 \text{ W} = 10 \text{ mW}$$

Example 2-9

An amplifier has a gain of 60 dB. If the input voltage is $50 \mu\text{V}$, what is the output voltage?

Since

$$\text{dB} = 20 \log \frac{V_{\text{out}}}{V_{\text{in}}}$$

$$\frac{\text{dB}}{20} = \log \frac{V_{\text{out}}}{V_{\text{in}}}$$

Therefore

$$\frac{V_{\text{out}}}{V_{\text{in}}} = \log^{-1} \frac{\text{dB}}{20} = 10^{\text{dB}/20}$$

$$\frac{V_{\text{out}}}{V_{\text{in}}} = 10^{60/20} = 10^3$$

$$\frac{V_{\text{out}}}{V_{\text{in}}} = 10^3 = 1000$$

$$V_{\text{out}} = 1000V_{\text{in}} = 1000(50 \times 10^{-6}) = 0.05 \text{ V} = 50 \text{ mV}$$

dBm. When the gain or attenuation of a circuit is page 40 expressed in decibels, implicit is a comparison between two values, the output and the input. When the ratio is computed, the units of voltage or power are canceled, making the ratio a dimensionless, or relative, figure. When you see a decibel value, you really do not know the actual voltage or power values. In some cases, this is not a problem; in others, it is useful or necessary to know the actual values involved. When an absolute value is needed, you can use a *reference value* to compare any other value.

Reference value

dBm

An often used reference level in communication is 1 mW. When a decibel value is computed by comparing a power value to 1 mW, the result is a value called the *dBm*. It is computed with the standard power decibel formula with 1 mW as the denominator of the ratio:

$$\text{dBm} = 10 \log \frac{P_{\text{out}}(\text{W})}{0.001(\text{W})}$$

Here P_{out} is the output power, or some power value you want to compare to 1 mW, and 0.001 is 1 mW expressed in watts.

The output of a 1-W amplifier expressed in dBm is, e.g.,

$$\text{dBm} = 10 \log \frac{1}{0.001} = 10 \log 1000 = 10(3) = 30 \text{ dBm}$$

Sometimes the output of a circuit or device is given in dBm. For example, if a microphone has an output of -50 dBm , the actual output power can be computed as follows:

$$-50 \text{ dBm} = 10 \log \frac{P_{\text{out}}}{0.001}$$

$$\frac{-50 \text{ dBm}}{10} = \log \frac{P_{\text{out}}}{0.001}$$

Therefore

$$\frac{P_{\text{out}}}{0.001} = 10^{-50 \text{ dBm}/10} = 10^{-5} = 0.00001$$

$$P_{\text{out}} = 0.001 \times 0.00001 = 10^{-3} \times 10^{-5} = 10^{-8} \text{ W} = 10 \times 10^{-9} = 10 \text{ nW}$$

GOOD TO KNOW

From the standpoint of sound measurement, 0 dB is the least perceptible sound (hearing threshold), and 120 dB equals the pain threshold of sound. This list shows intensity levels for common sounds. (Tippens, *Physics*, 6th ed., Glencoe/McGraw Hill, 2001, p. 497)

<i>Sound</i>	<i>Intensity level, dB</i>
Hearing threshold	0
Rustling leaves	10
Whisper	20
Quiet radio	40
Normal conversation	65
Busy street corner	80
Subway car	100
Pain threshold	120
Jet engine	140-160

Tippens, Paul E. *Physics*. McGraw Hill. 2001.

Example 2-10

A power amplifier has an input of 90 mV across $10 \text{ k}\Omega$. The output is 7.8 V across an $8\text{-}\Omega$ speaker. What is the power gain in decibels? You must compute the input and output power levels first.

$$P = \frac{V^2}{R}$$

$$P_{\text{in}} = \frac{(90 \times 10^{-3})^2}{10^4} = 8.1 \times 10^{-7} \text{ W}$$

$$P_{\text{out}} = \frac{(7.8)^2}{8} = 7.605 \text{ W}$$

$$A_p = \frac{P_{\text{out}}}{P_{\text{in}}} = \frac{7.605}{8.1 \times 10^{-7}} = 9.39 \times 10^6$$

$$A_p (\text{dB}) = 10 \log A_p = 10 \log 9.39 \times 10^6 = 69.7 \text{ dB}$$

dBc. This is a decibel gain attenuation figure where [page 41](#) the reference is the carrier. The carrier is the base communication signal, a sine wave that is modulated. Often the amplitude's sidebands, spurious or interfering signals, are referenced to the carrier. For example, if the spurious signal is 1 mW compared to the 10-W carrier, the dBc is

$$\text{dBc} = 10 \log \frac{P_{\text{signal}}}{P_{\text{carrier}}}$$

$$\text{dBc} = 10 \log \frac{0.001}{10} = 10(-4) = -40$$

Example 2-11

An amplifier has a power gain of 28 dB. The input power is 36 mW. What is the output power?

$$\frac{P_{\text{out}}}{P_{\text{in}}} = 10^{\text{dB}/10} = 10^{2.8} = 630.96$$

$$P_{\text{out}} = 630.96 P_{\text{in}} = 630.96(36 \times 10^{-3}) = 22.71 \text{ W}$$

Example 2-12

A circuit consists of two amplifiers with gains of 6.8 and 14.3 dB and two filters with attenuations of -16.4 and -2.9 dB. If the output voltage is 800 mV, what is the input voltage?

$$A_T = A_1 + A_2 + A_3 + A_4 = 6.8 + 14.3 - 16.4 - 2.9 = 1.8 \text{ dB}$$

$$A_T = \frac{V_{\text{out}}}{V_{\text{in}}} = 10^{\text{dB}/20} = 10^{1.8/20} = 10^{0.09}$$

$$\frac{V_{\text{out}}}{V_{\text{in}}} = 10^{0.09} = 1.23$$

$$V_{\text{in}} = \frac{V_{\text{out}}}{1.23} = \frac{800}{1.23} = 650.4 \text{ mV}$$

Example 2-13

Express $P_{\text{out}} = 12.3$ dBm in watts.

$$\frac{P_{\text{out}}}{0.001} = 10^{\text{dBm}/10} = 10^{12.3/10} = 10^{1.23} = 17$$

$$P_{\text{out}} = 0.001 \times 17 = 17 \text{ mW}$$

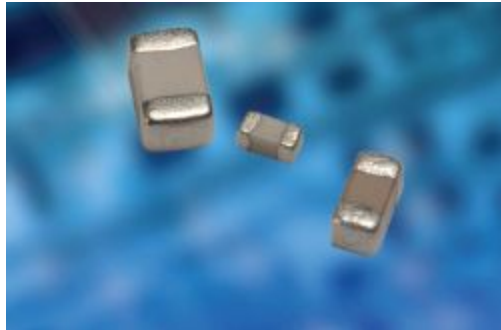
2-2 Tuned Circuits

Virtually all communication equipment contains *tuned circuits*, circuits made up of inductors and capacitors that resonate at specific frequencies. In this section, you will review how to calculate the reactance, resonant frequency, impedance, Q , and bandwidth of series and parallel resonance circuits.

Tuned circuit

Reactive Components

All tuned circuits and many filters are made up of inductive and capacitive elements, including discrete components such as coils and capacitors and the stray and distributed inductance and capacitance that appear in all electronic circuits. Both coils and capacitors offer an opposition to alternating-current flow known as *reactance*, which is expressed in ohms (abbreviated Ω). Like resistance, reactance is an opposition that directly affects the amount of current in a circuit. In addition, reactive effects produce a phase shift between the currents and voltages in a circuit. Capacitance causes the current to lead the applied voltage, whereas inductance causes the current to lag the applied voltage. Coils and capacitors used together form tuned, or resonant, circuits.



Chip capacitors.

AVX Corporation

Capacitors. A *capacitor* used in an ac circuit continually charges and discharges. A capacitor tends to oppose voltage changes across it. This translates to an opposition to alternating current known as *capacitive reactance* X_C .

The reactance of a capacitor is inversely proportional to the value of capacitance C and operating frequency f . It is given by the familiar expression

$$X_c = \frac{1}{2\pi fC}$$

The reactance of a 100-pF capacitor at 2 MHz is

$$X_c = \frac{1}{6.28(2 \times 10^6)(100 \times 10^{-12})} = 796.2 \Omega$$

The formula can also be used to calculate either frequency or capacitance depending on the application. These formulas are

$$f = \frac{1}{2\pi X_c C} \quad \text{and} \quad C = \frac{1}{2\pi f X_c}$$

The wire leads of a capacitor have resistance and inductance, and the dielectric has leakage that appears as a resistance value in parallel with the capacitor. These characteristics, which are illustrated in Fig. 2-8, are sometimes referred to as *residuals* or parasitics. The series resistance and inductance are very small, and the leakage resistance is very high, so these factors can be ignored at low frequencies. At radio frequencies, however, these residuals become noticeable, and the capacitor functions as a complex *RLC* circuit. Most of these effects can be greatly minimized by keeping the capacitor leads very short. This problem is mostly eliminated by using the newer chip capacitors, which have no leads as such.

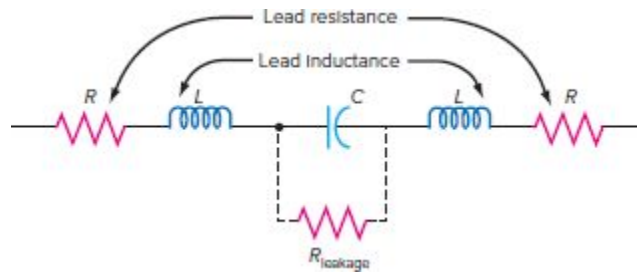
Reactance

Capacitor

Capacitive reactance

Residual

Figure 2-8 What a capacitor looks like at high frequencies.



GOOD TO KNOW

Stray and distributed capacitances and inductances can greatly alter the operation and performance of a circuit.

Capacitance is generally added to a circuit by a [page 43](#) capacitor of a specific value, but capacitance can occur between any two conductors separated by an insulator. For example, there is capacitance between the parallel wires in a cable, between a wire and a metal chassis, and between parallel adjacent copper patterns on a printed-circuit board. These are known as *stray*, or *distributed*, *capacitances*. Stray capacitances are typically small, but they cannot be ignored, especially at the high frequencies used in communication. Stray and distributed capacitances can significantly affect the performance of a circuit.

Stray (or distributed) capacitance

Inductors. An *inductor*, also called a *coil* or *choke*, is simply a winding of multiple turns of wire. When current is passed through a coil, a magnetic field is produced around the coil. If the applied voltage and current are varying, the magnetic field alternately expands and collapses. This causes a voltage to be self-induced into the coil winding, which has the effect of opposing current changes in the coil. This effect is known as *inductance*.

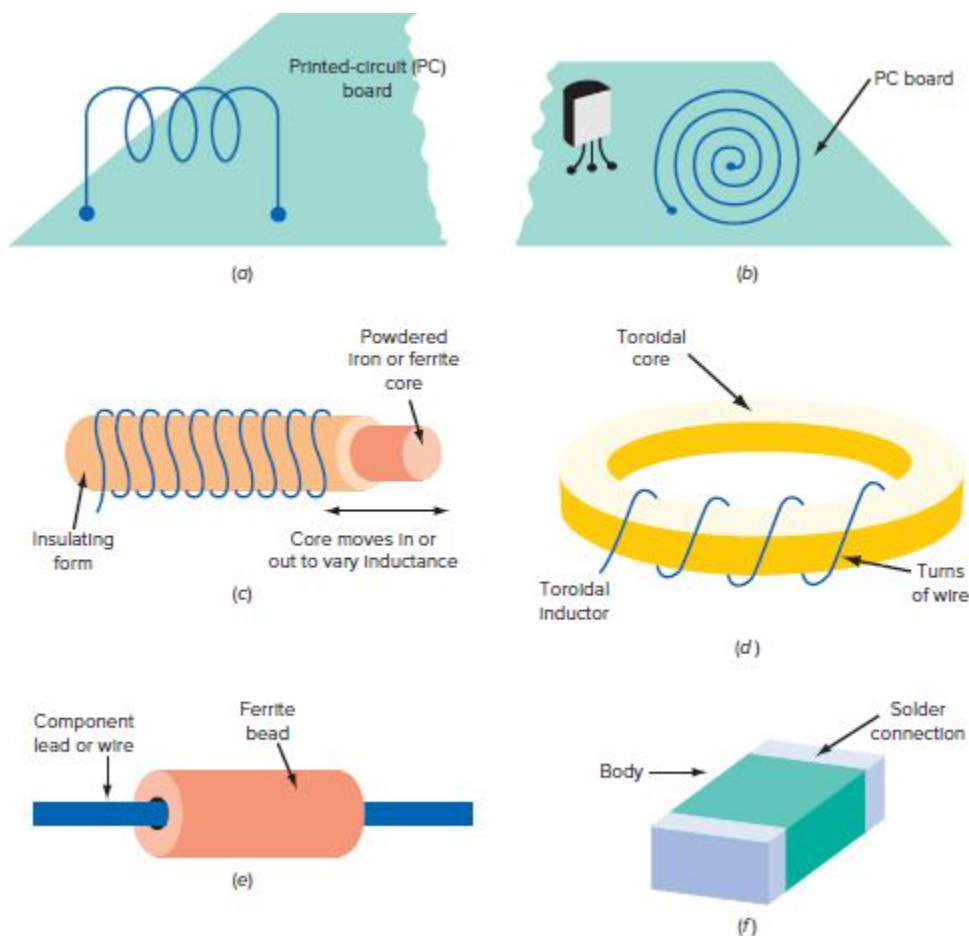
Inductor (coil or choke)

Inductance

The basic unit of inductance is the henry (H). Inductance is directly affected by the physical characteristics of the coil, including the number of turns of wire in the inductor, the spacing of the turns, the length of the coil, the diameter of the coil, and the type of magnetic core material. Practical inductance values are in the millihenry ($\text{mH} = 10^{-3} \text{H}$), microhenry ($\mu\text{H} = 10^{-6} \text{H}$), and nanohenry ($\text{nH} = 10^{-9} \text{H}$) regions.

Fig. 2-9 shows several different types of inductor coils.

Figure 2-9 Types of inductors. (a) Heavy self-supporting wire coil. (b) Inductor made as copper pattern. (c) Insulating form. (d) Toroidal inductor. (e) Ferrite bead inductor. (f) Chip inductor.



- Fig. 2-9(a) is an inductor made of a heavy, self-supporting wire coil.

- In Fig. 2-9(b) the inductor is formed of a copper spiral that is etched right onto the board itself.
- In Fig. 2-9(c) the coil is wound on an insulating form containing a powdered iron or ferrite core in the center, to increase its inductance.
- Fig. 2-9(d) shows another common type of inductor, one using turns of wire on a toroidal or doughnut-shaped form.
- Fig. 2-9(e) shows an inductor made by placing a small ferrite bead over a wire; the bead effectively increases the wire's small inductance.
- Fig. 2-9(f) shows a chip inductor. It is typically no more than $\frac{1}{8}$ to $\frac{1}{4}$ in long. A coil is contained within the body, and the unit is soldered to the circuit board with the end connections. These devices look exactly like chip resistors and capacitors.

In a dc circuit, an inductor will have little or no effect. Only the ohmic resistance of the wire affects current flow. However, when the current changes, such as during the time the power is turned off or on, the coil will oppose these changes in current.

When an inductor is used in an ac circuit, this opposition becomes continuous and constant and is known as *inductive reactance*. Inductive reactance X_L is expressed in ohms and is calculated by using the expression

Inductive reactance

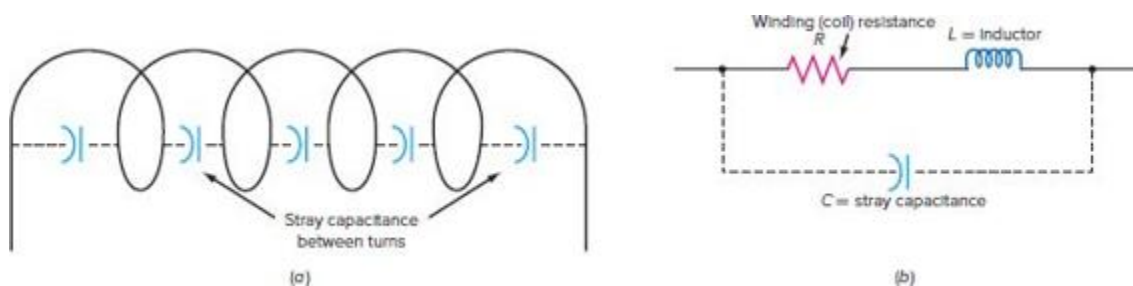
$$X_L = 2\pi fL$$

For example, the inductive reactance of a $40\text{-}\mu\text{H}$ coil at 18 MHz is

$$X_L = 6.28(18 \times 10^6)(40 \times 10^{-6}) = 4522 \Omega$$

In addition to the resistance of the wire in an inductor, there is stray capacitance between the turns of the coil. See Fig. 2-10(a). The overall effect is as if a small capacitor were connected in parallel with the coil, as shown in Fig. 2-10(b). This is the equivalent circuit of an inductor at high frequencies. At low frequencies, capacitance may be ignored, but at radio frequencies, it is sufficiently large to affect circuit operation. The coil then functions not as a pure inductor, but as a complex RLC circuit with a self-resonating frequency.

Figure 2-10 Equivalent circuit of an inductor at high frequencies. (a) Stray capacitance between turns. (b) Equivalent circuit of an inductor at high frequencies.



Any wire or conductor exhibits a characteristic [page 44](#) inductance. The longer the wire, the greater the inductance. Although the inductance of a straight wire is only a fraction of a microhenry, at very high frequencies the reactance can be significant. For this reason, it is important to keep all lead lengths short in interconnecting components in RF circuits. This is especially true of capacitor and transistor leads, since stray or distributed inductance can significantly affect the performance and characteristics of a circuit.

Another important characteristic of an inductor is [page 45](#) its *quality factor* Q , the ratio of inductive power to resistive power:

Quality factor Q

$$Q = \frac{I^2 X_L}{I^2 R} = \frac{X_L}{R}$$

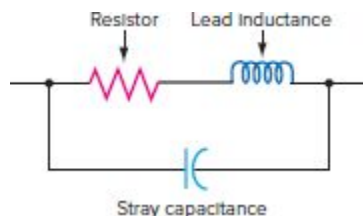
This is the ratio of the power returned to the circuit to the power actually dissipated by the coil resistance. For example, the Q of a $3\text{-}\mu\text{H}$ inductor with a total resistance of $45\ \Omega$ at 90 MHz is calculated as follows:

$$Q = \frac{2\pi fL}{R} = \frac{6.28(90 \times 10^6)(3 \times 10^{-6})}{45} = \frac{1695.6}{45} = 37.68$$

Resistors. At low frequencies, a standard low-wattage color-coded *resistor* offers nearly pure resistance, but at high frequencies its leads have considerable inductance, and stray capacitance between the leads causes the resistor to act as a complex *RLC* circuit, as shown in Fig. 2-11. To minimize the inductive and capacitive effects, the leads are kept very short in radio applications.

Resistor

Figure 2-11 Equivalent circuit of a resistor at high (radio) frequencies.



The tiny resistor chips used in surface-mount construction of the electronic circuits preferred for radio equipment have practically no leads except for the metallic end pieces soldered to the printed-circuit board. They have virtually no lead inductance and little stray capacitance.

Many resistors are made from a carbon-composition material in powdered form sealed inside a tiny housing to which leads are attached. The type and amount of carbon

material determine the value of these resistors. They contribute noise to the circuit in which they are used. The noise is caused by thermal effects and the granular nature of the resistance material. The noise contributed by such resistors in an amplifier used to amplify very low level radio signals may be so high as to obliterate the desired signal.

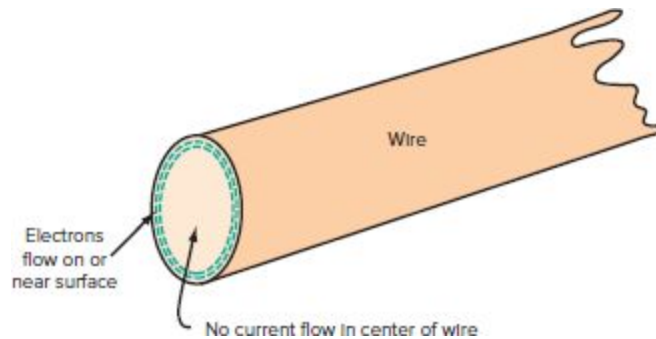
To overcome this problem, film resistors were developed. They are made by depositing a carbon or metal film in spiral form on a ceramic form. The size of the spiral and the kind of metal film determine the resistance value. Carbon film resistors are quieter than carbon-composition resistors, and metal film resistors are quieter than carbon film resistors. Metal film resistors should be used in amplifier circuits that must deal with very low level RF signals. Most surface-mount resistors are of the metallic film type.

Skin Effect. The resistance of any wire conductor, whether it is a resistor or capacitor lead or the wire in an inductor, is primarily determined by the ohmic resistance of the wire itself. However, other factors influence it. The most significant one is *skin effect*, the tendency of electrons flowing in a conductor to flow near and on the outer surface of the conductor frequencies in the VHF, UHF, and microwave regions (Fig. 2-12). This has the effect of greatly decreasing the total cross-sectional area of the conductor, thus increasing its resistance and significantly affecting the performance of the circuit in which the conductor is used. For example, skin effect lowers the Q of an inductor at the higher frequencies, causing unexpected and undesirable effects. Thus many high-frequency coils, particularly those in high-powered transmitters, are made with copper tubing. Since current does not flow in the center of the conductor, but only on the surface, tubing provides the most efficient conductor. Very thin conductors, such as a copper pattern on a printed-circuit board, are also used. Often these

conductors are silver- or gold-plated to further reduce their resistance.

Skin effect

Figure 2-12 Skin effect increases wire and inductor resistance at high frequencies.



Tuned Circuits and Resonance

page 46

A tuned circuit is made up of inductance and capacitance and resonates at a specific frequency, the resonant frequency. In general, the terms *tuned circuit* and *resonant circuit* are used interchangeably. Because tuned circuits are frequency-selective, they respond best at their resonant frequency and at a narrow range of frequencies around the resonant frequency.

Tuned (resonant) circuit

Series Resonant Circuits. A *series resonant circuit* is made up of inductance, capacitance, and resistance, as shown in Fig. 2-13. Such circuits are often referred to as *LCR circuits* or *RLC circuits*. The inductive and capacitive reactances depend upon the frequency of the applied voltage. Resonance occurs when the inductive and capacitive reactances are equal. A plot of reactance versus frequency is shown in Fig. 2-14, where f_r is the resonant frequency.

Series resonant circuit

LCR circuit

RLC circuit

Figure 2-13 Series RLC circuit.

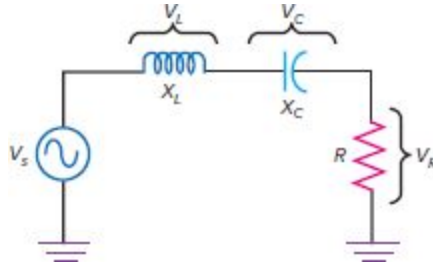
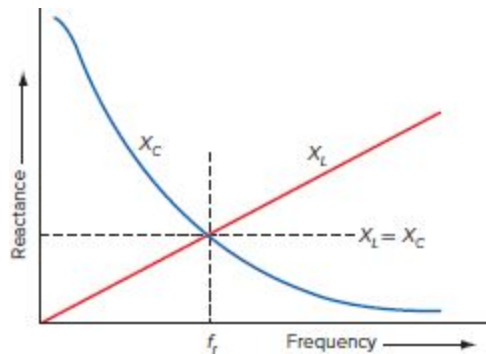


Figure 2-14 Variation of reactance with frequency.



The total impedance of the circuit is given by the [page 47](#) expression

$$Z = \sqrt{R^2 + (X_L - X_C)^2}$$

When X_L equals X_C , they cancel each other, leaving only the resistance of the circuit to oppose the current. At resonance, the total circuit impedance is simply the value of all series resistances in the circuit. This includes the resistance of the coil and the resistance of the component leads, as well as any physical resistor in the circuit.

The resonant frequency can be expressed in terms of inductance and capacitance. A formula for resonant

frequency can be easily derived. First, express X_L and X_C as an equivalence: $X_L = X_C$. Since

$$X_L = 2\pi f_r L \quad \text{and} \quad X_C = \frac{1}{2\pi f_r C}$$

we have

$$2\pi f_r L = \frac{1}{2\pi f_r C}$$

Solving for f_r gives

$$f_r = \frac{1}{2\pi\sqrt{LC}}$$

In this formula, the frequency is in hertz, the inductance is in henrys, and the capacitance is in farads.

Example 2-14

What is the resonant frequency of a 2.7-pF capacitor and a 33-nH inductor?

$$\begin{aligned} f_r &= \frac{1}{2\pi\sqrt{LC}} = \frac{1}{6.28\sqrt{33 \times 10^{-9} \times 2.7 \times 10^{-12}}} \\ &= 5.33 \times 10^8 \text{ Hz or } 533 \text{ MHz} \end{aligned}$$

It is often necessary to calculate capacitance or inductance, given one of those values and the resonant frequency. The basic resonant frequency formula can be rearranged to solve for either inductance and capacitance as follows:

$$L = \frac{1}{4\pi^2 f^2 C} \quad \text{and} \quad C = \frac{1}{4\pi^2 f^2 L}$$

For example, the capacitance that will resonate at a frequency of 18 MHz with a 12- μ H inductor is determined as follows:

$$C = \frac{1}{4\pi^2 f_r^2 L} = \frac{1}{39.478(18 \times 10^6)^2 (12 \times 10^{-6})}$$
$$= \frac{1}{39.478(3.24 \times 10^{14})(12 \times 10^{-6})} = 6.5 \times 10^{-12} \text{ F or } 6.5 \text{ pF}$$

Example 2-15

What value of inductance will resonate with a 12-pF capacitor at 49 MHz?

$$L = \frac{1}{4\pi^2 f_r^2 C} = \frac{1}{39.478(49 \times 10^6)^2 (12 \times 10^{-12})}$$
$$= 8.79 \times 10^{-7} \text{ H or } 879 \text{ nH}$$

As indicated earlier, the basic definition of resonance in a series tuned circuit is the point at which X_L equals X_C . With this condition, only the resistance of the circuit impedes the current. The total circuit impedance at resonance is $Z = R$. For this reason, resonance in a series tuned circuit can also be defined as the point at which the circuit impedance is lowest and the circuit current is highest. Since the circuit is resistive at resonance, the current is in phase with the applied voltage. Above the resonant frequency, the inductive reactance is higher than the capacitive reactance, and the inductor voltage drop is greater than the capacitor voltage drop. Therefore, the circuit is inductive, and the current will lag the applied voltage. Below resonance, the capacitive reactance is higher than the inductive reactance; the net reactance is capacitive, thereby producing a leading

current in the circuit. The capacitor voltage drop is higher than the inductor voltage drop.

The response of a series resonant circuit is illustrated in Fig. 2-15, which is a plot of the frequency and phase shift of the current in the circuit with respect to frequency.

At very low frequencies, the capacitive reactance is much greater than the inductive reactance; therefore, the current in the circuit is very low because of the high impedance. In addition, because the circuit is predominantly capacitive, the current leads the voltage by nearly 90° . As the frequency increases, X_C goes down and X_L goes up. The amount of leading phase shift decreases. As the values of reactances approach one another, the current begins to rise. When X_L equals X_C their effects cancel and the impedance in the circuit is just that of the resistance. This produces a current peak, where the current is in phase with the voltage (0°). As the frequency continues to rise, X_L becomes greater than X_C . The impedance of the circuit increases and the current decreases. With the circuit predominantly inductive, the current lags the applied voltage. If the output voltage were being taken from across the resistor in Fig. 2-13, the response curve and phase angle of the voltage would correspond to those in Fig. 2-15. As Fig. 2-15 shows, the current is highest in a region centered on the resonant frequency. The narrow frequency range over which the current is highest is called the *bandwidth*. This area is illustrated in Fig. 2-16.

Bandwidth

Figure 2-15 Frequency and phase response curves of a series resonant circuit.

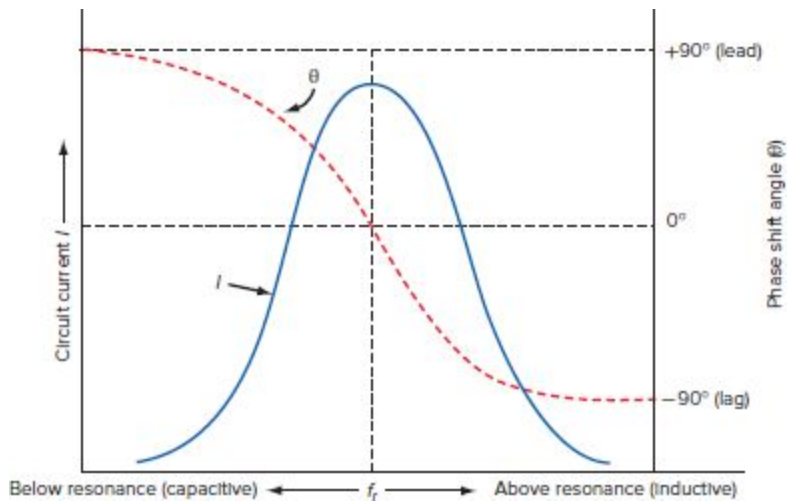
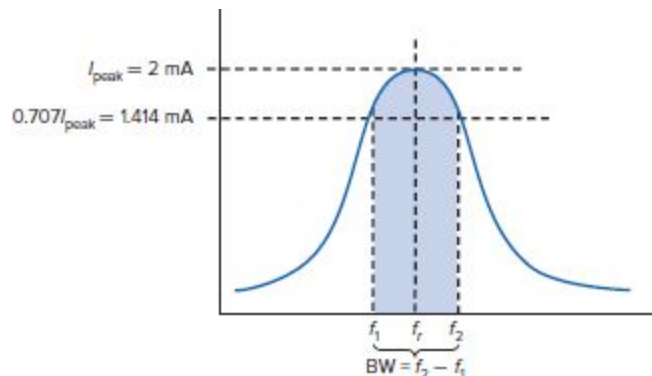


Figure 2-16 Bandwidth of a series resonant circuit.



The upper and lower boundaries of the bandwidth are defined by two cutoff frequencies designated f_1 and f_2 . These cutoff frequencies occur where the current amplitude is 70.7 percent of the peak current. In the figure, the peak circuit current is 2 mA, and the current at both the lower (f_1) and upper (f_2) cutoff frequencies is 0.707 of 2 mA or 1.414 mA.

Current levels at which the response is down 70.7 percent are called the *half-power points* because the power at the cutoff frequencies is one-half the power peak of the curve.

Half-power points

$$P = I^2 R = (0.707 I_{\text{peak}})^2 R = 0.5 I_{\text{peak}}^2 R$$

The bandwidth BW of the tuned circuit is defined as the difference between the upper and lower cutoff frequencies:

$$BW = f_2 - f_1$$

For example, assuming a resonant frequency of 75 kHz and upper and lower cutoff frequencies of 76.5 and 73.5 kHz, respectively, the bandwidth is $BW = 76.5 - 73.5 = 3$ kHz.

The bandwidth of a resonant circuit is determined by the Q of the circuit. Recall that the Q of an inductor is the ratio of the inductive reactance to the circuit resistance. This holds true for a series resonant circuit, where Q is the ratio of the inductive reactance to the total circuit resistance, which includes the resistance of the inductor plus any additional series resistance:

$$Q = \frac{X_L}{R_T}$$

Recall that bandwidth is then computed as

$$BW = \frac{f_r}{Q}$$

If the Q of a circuit resonant at 18 MHz is 50, then the bandwidth is $BW = 18/50 = 0.36$ MHz = 360 kHz.

Example 2-16

What is the bandwidth of a resonant circuit with a frequency of 28 MHz and a Q of 70?

$$BW = \frac{f_r}{Q} = \frac{28 \times 10^6}{70} = 400,000 \text{ Hz} = 400 \text{ kHz}$$

The formula can be rearranged to compute Q , given the frequency and the bandwidth:

$$Q = \frac{f_r}{BW}$$

Thus the Q of the circuit whose bandwidth was computed previously is $Q = 75 \text{ kHz}/3\text{kHz} = 25$.

Since the bandwidth is approximately centered on the resonant frequency, f_1 is the same distance from f_r as f_2 is from f_r . This fact allows you to calculate the resonant frequency by knowing only the cutoff frequencies:

$$f_r = \sqrt{f_1 \times f_2}$$

For example, if $f_1 = 175 \text{ kHz}$ and $f_2 = 178 \text{ kHz}$, the resonant frequency is

$$f_r = \sqrt{175 \times 10^3 \times 178 \times 10^3} = 176.5 \text{ kHz}$$

For a linear frequency scale, you can calculate the center or resonant frequency by using an average of the cutoff frequencies.

$$f_r = \frac{f_1 + f_2}{2}$$

If the circuit Q is very high (>100), then the response curve is approximately symmetric around the resonant frequency. The cutoff frequencies will then be roughly equidistant from the resonant frequency by the amount of $BW/2$. Thus the cutoff frequencies can be calculated if the bandwidth and the resonant frequency are known:

$$f_1 = f_r - \frac{BW}{2} \quad \text{and} \quad f_2 = f_r + \frac{BW}{2}$$

For instance, if the resonant frequency is 49 MHz (49,000 kHz) and the bandwidth is 10 kHz, then the cutoff

frequencies will be

$$f_1 = 49,000 \text{ kHz} - \frac{10k}{2} = 49,000 \text{ kHz} - 5 \text{ kHz} = 48,995 \text{ kHz}$$

$$f_2 = 49,000 \text{ kHz} + 5 \text{ kHz} = 49,005 \text{ kHz}$$

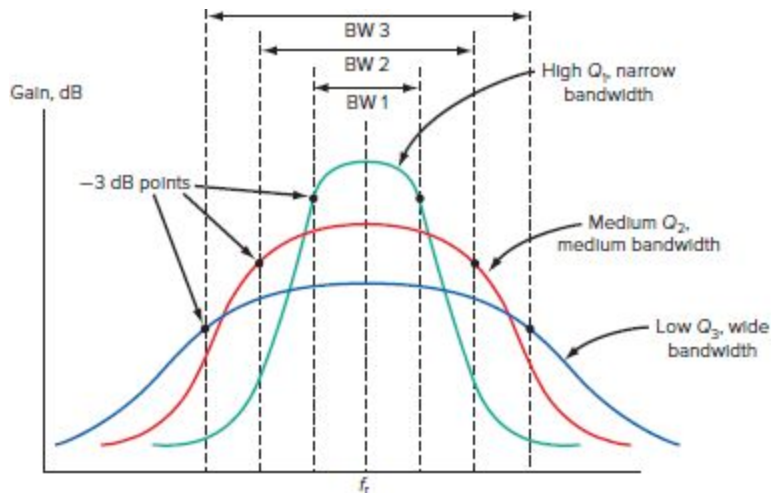
Keep in mind that although this procedure is an approximation, it is useful in many applications.

The bandwidth of a resonant circuit defines its *selectivity*, i.e., how the circuit responds to varying frequencies. If the response is to produce a high current only over a narrow range of frequencies, a narrow bandwidth, the circuit is said to be highly selective. If the current is high over a broader range of frequencies, i.e., the bandwidth is wider, the circuit is less selective. In general, circuits with high selectivity and narrow bandwidths are more desirable. However, the actual selectivity and bandwidth of a circuit must be optimized for each application.

Selectivity

The relationship between circuit resistance Q and page 51 bandwidth is extremely important. The bandwidth of a circuit is inversely proportional to Q . The higher Q is, the smaller the bandwidth. Low Q s produce wide bandwidths or less selectivity. In turn, Q is a function of the circuit resistance. A low resistance produces a high Q , a narrow bandwidth, and a highly selective circuit. A high circuit resistance produces a low Q , wide bandwidth, and poor selectivity. In most communication circuits, circuit Q s are at least 10 and typically higher. In most cases, Q is controlled directly by the resistance of the inductor. Fig. 2-17 shows the effect of different values of Q on bandwidth.

Figure 2-17 The effect of Q on bandwidth and selectivity in a resonant circuit.



Example 2-17

The upper and lower cutoff frequencies of a resonant circuit are found to be 8.07 and 7.93 MHz. Calculate (a) the bandwidth, (b) the approximate resonant frequency, and (c) Q .

a. $BW = f_2 - f_1 = 8.07 \text{ MHz} - 7.93 \text{ MHz} = 0.14 \text{ MHz} = 140 \text{ kHz}$

b. $f_r = \sqrt{f_1 f_2} = \sqrt{(8.07 \times 10^6)(7.93 \times 10^6)} = 8 \text{ MHz}$

c. $Q = \frac{f_r}{BW} = \frac{8 \times 10^6}{140 \times 10^3} = 57.14$

Example 2-18

What are the approximate 3-dB down frequencies of a resonant circuit with a Q of 200 at 16 MHz?

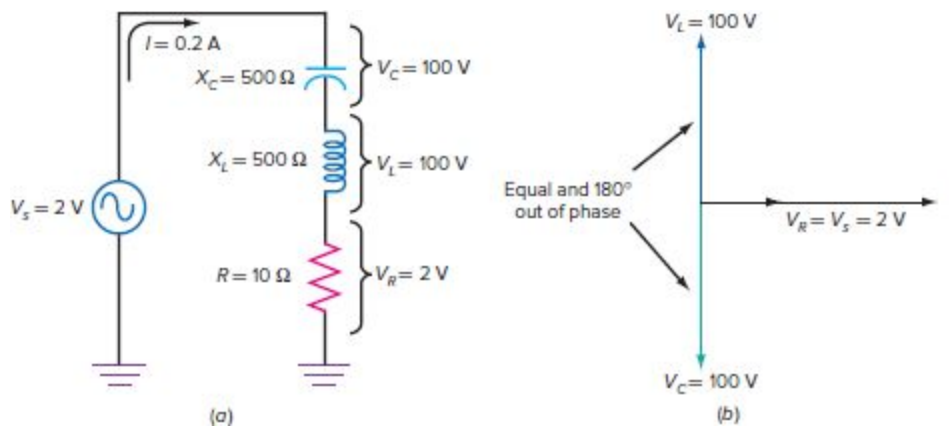
$$BW = \frac{f_r}{Q} = \frac{16 \times 10^6}{200} = 80,000 \text{ Hz} = 80 \text{ kHz}$$

$$f_1 = f_r - \frac{BW}{2} = 16,000,000 - \frac{80,000}{2} = 15.96 \text{ MHz}$$

$$f_2 = f_r + \frac{BW}{2} = 16,000,000 + \frac{80,000}{2} = 16.04 \text{ MHz}$$

Resonance produces an interesting but useful phenomenon in a series RLC circuit. Consider the circuit in Fig. 2-18(a). At resonance, assume $X_L = X_C = 500 \Omega$. The total circuit resistance is 10Ω . The Q of the circuit is then

Figure 2-18 Resonant step-up voltage in a series resonant circuit.



$$Q = \frac{X_L}{R} = \frac{500}{10} = 50$$

If the applied or source voltage v_s is 2 V, the circuit current at resonance will be

$$I = \frac{V_s}{R} = \frac{2}{10} = 0.2 \text{ A}$$

When the reactances, the resistances, and the page 52 current are known, the voltage drops across each component can be computed:

$$V_L = IX_L = 0.2(500) = 100 \text{ V}$$

$$V_C = IX_C = 0.2(500) = 100 \text{ V}$$

$$V_R = IR = 0.2(10) = 2 \text{ V}$$

As you can see, the voltage drops across the inductor and capacitor are significantly higher than the applied voltage.

This is known as the *resonant step-up voltage*. Although the sum of the voltage drops around the series circuit is still equal to the source voltage, at resonance the voltage across the inductor leads the current by 90° and the voltage across the capacitor lags the current by 90° [see Fig. 2-18(b)]. Therefore, the inductive and reactive voltages are equal but 180° out of phase. As a result, when added, they cancel each other, leaving a total reactive voltage of 0. This means that the entire applied voltage appears across the circuit resistance.

Resonant step-up voltage

The resonant step-up voltage across the coil or capacitor can be easily computed by multiplying the input or source voltage by Q :

$$V_L = V_C = QV_s$$

In the example in Fig. 2-18, $V_L = 50(2) = 100 \text{ V}$.

This interesting and useful phenomenon means page 53 that small applied voltages can essentially be stepped up to a higher voltage—a form of simple amplification without active circuits that is widely applied in communication circuits.

Example 2-19

A series resonant circuit has a Q of 150 at 3.5 MHz. The applied voltage is $3 \mu\text{V}$. What is the voltage across the capacitor?

$$V_C = QV_s = 150(3 \times 10^{-6}) = 450 \times 10^{-6} = 450 \mu\text{V}$$

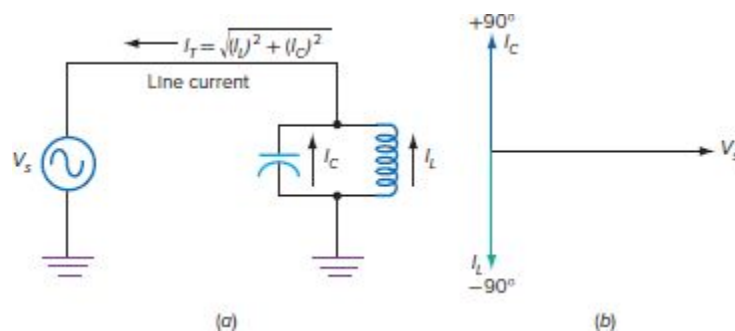
Parallel Resonant Circuits. A *parallel resonant circuit* is formed when the inductor and the capacitor are connected in parallel with the applied voltage, as shown in Fig. 2-19(a). In general, resonance in a parallel tuned circuit can also be defined as the point at which the inductive and capacitive reactances are equal. The resonant frequency is therefore calculated by the resonant frequency formula given earlier. If we assume lossless components in the circuit (no resistance), then the current in the inductor equals the current in the capacitor:

Parallel resonant circuit

$$I_L = I_C$$

Although the currents are equal, they are 180° out of phase, as the phasor diagram in Fig. 2-19(b) shows. The current in the inductor lags the applied voltage by 90° , and the current in the capacitor leads the applied voltage by 90° , for a total of 180° .

Figure 2-19 Parallel resonant circuit currents. (a) Parallel resonant circuit. (b) Current relationships in parallel resonant circuit.



Now, by applying Kirchhoff's current law to the circuit, the sum of the individual branch currents equals the total current drawn from the source. With the inductive and capacitive currents equal and out of phase, their sum is 0. Thus, at resonance, a parallel tuned circuit appears to have

infinite resistance, draws no current from the source and thus has infinite impedance, and acts as an open circuit. However, there is a high circulating current between the inductor and the capacitor. Energy is being stored and transferred between the inductor and the capacitor. Because such a circuit acts as a kind of storage vessel for electric energy, it is often referred to as a *tank circuit* and the circulating current is referred to as the *tank current*.

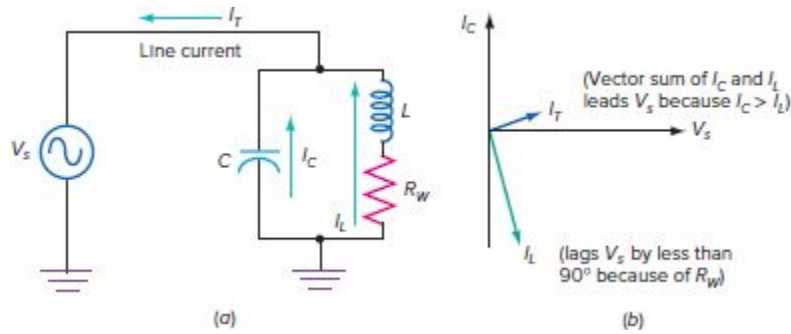
Tank circuit

In a practical resonant circuit where the components do have losses (resistance), the circuit still behaves as described above. Typically, we can assume that the capacitor has practically zero losses and the inductor contains a resistance, as illustrated in Fig. 2-20(a). At resonance, where $X_L = X_C$, the impedance of the inductive branch of the circuit is higher than the impedance of the capacitive branch because of the coil resistance. The capacitive current is slightly higher than the inductive current. Even if the reactances are equal, the branch currents will be unequal and therefore there will be some net current flow in the supply line. The source current will lead the supply voltage, as shown in Fig. 2-20(b). Nevertheless, the inductive and capacitive currents in most cases will cancel because they are approximately equal and of opposite phase, and consequently the line or source current will be significantly lower than the individual branch currents. The result is a very high resistive impedance, approximately equal to

Tank current

$$Z = \frac{V_s}{I_T}$$

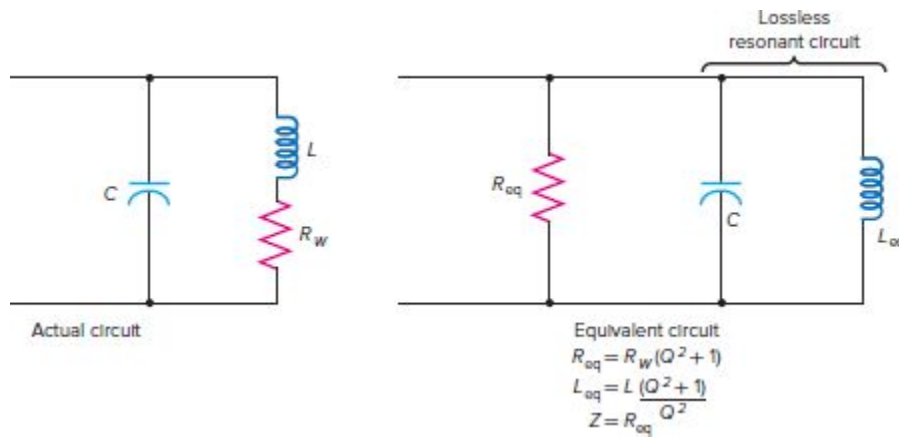
Figure 2-20 A practical parallel resonant circuit. (a) Practical parallel resonant circuit with coil resistance R_W . (b) Phase relationships.



The circuit in Fig. 2-20(a) is not easy to analyze. One way to simplify the mathematics involved is to convert the circuit to an equivalent circuit in which the coil resistance is translated to a parallel resistance that gives the same overall results, as shown in Fig. 2-21. The equivalent inductance L_{eq} and resistance R_{eq} are calculated with the formulas

$$L_{eq} = \frac{L(Q^2 + 1)}{Q^2} \quad \text{and} \quad R_{eq} = R_w(Q^2 + 1)$$

Figure 2-21 An equivalent circuit makes parallel resonant circuits easier to analyze.



and Q is determined by the formula

$$Q = \frac{X_L}{R_w}$$

where R_w is the coil winding resistance.

If Q is high, usually more than 10, L_{eq} is approximately equal to the actual inductance value L . The total impedance of the circuit at resonance is equal to the equivalent parallel resistance:

$$Z = R_{eq}$$

Example 2-20

What is the impedance of a parallel LC circuit with a resonant frequency of 52 MHz and a Q of 12? $L = 0.15 \mu\text{H}$.

$$Q = \frac{X_L}{R_w}$$

$$X_L = 2\pi fL = 6.28(52 \times 10^6)(0.15 \times 10^{-6}) = 49 \Omega$$

$$R_w = \frac{X_L}{Q} = \frac{49}{12} = 4.1 \Omega$$

$$Z = R_{eq} = R_w(Q^2 + 1) = 4.1(12^2 + 1) = 4.1(145) = 592 \Omega$$

If the Q of the parallel resonant circuit is greater than 10, the following simplified formula can be used to calculate the resistive impedance at resonance:

$$Z = \frac{L}{CR_w}$$

The value of R_w is the winding resistance of the coil.

Example 2-21

Calculate the impedance of the circuit given in Example 2-20 by using the formula $Z = L/CR_w$.

$$f_r = 52 \text{ MHz} \quad R_w = 4.1 \ \Omega \quad L = 0.$$

$$C = \frac{1}{4\pi^2 f_r^2 L} = \frac{1}{39.478(52 \times 10^6)^2(0.15 \times 10^{-6})}$$

$$= 6.245 \times 10^{-11}$$

$$Z = \frac{L}{CR_w} = \frac{0.15 \times 10^{-6}}{(62.35 \times 10^{-12})(4.1)} = 586 \ \Omega$$

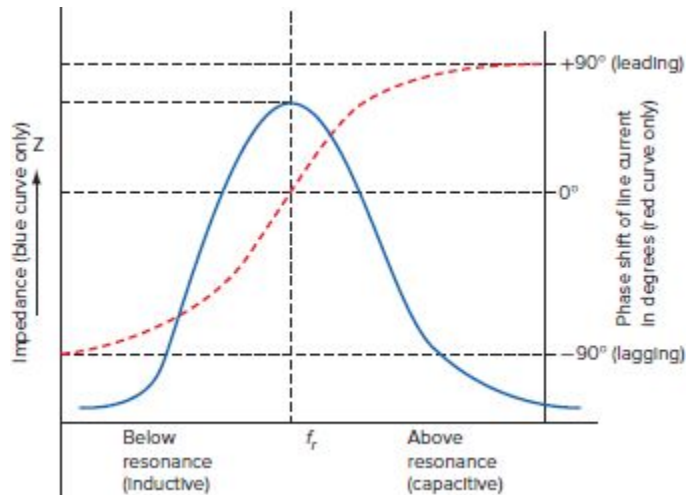
This is close to the previously computed value of $592 \ \Omega$. The formula $Z = L/CR_w$ is an approximation.

GOOD TO KNOW

The bandwidth of a circuit is inversely proportional to the circuit Q . The higher the Q , the smaller the bandwidth. Low Q values produce wide bandwidths or less selectivity.

A frequency and phase response curve of a parallel resonant circuit is shown in Fig. 2-22. Below the resonant frequency, X_L is less than X_C ; thus, the inductive current is greater than the capacitive current, and the circuit appears inductive. The line current lags the applied voltage. Above the resonant frequency, X_C is less than X_L ; thus, the capacitive current is more than the inductive current, and the circuit appears capacitive. Therefore, the line current leads the applied voltage. The phase angle of the impedance will be leading below resonance and lagging above resonance.

Figure 2-22 Response of a parallel resonant circuit.



At the resonant frequency, the impedance of the circuit peaks. This means that the line current at that time is at its minimum. At resonance, the circuit appears to have a very high resistance, and the small line current is in phase with the applied voltage.

Note that the Q of a parallel circuit, which was [page 56](#) previously expressed as $Q = X_L/R_W$, can also be computed with the expression

$$Q = \frac{R_p}{X_L}$$

where R_p is the equivalent parallel resistance, R_{eq} in parallel with any other parallel resistance, and X_L is the inductive reactance of the equivalent inductance L_{eq} .

You can set the bandwidth of a parallel tuned circuit by controlling Q . The Q can be determined by connecting an external resistor across the circuit. This has the effect of lowering R_p and increasing the bandwidth.

Example 2-22

What value of parallel resistor is needed to set the bandwidth of a parallel tuned circuit to 1 MHz? Assume $X_L = 300 \Omega$, $R_W = 10 \Omega$, and $f_r = 10 \text{ MHz}$.

$$Q = \frac{X_L}{R_W} = \frac{300}{10} = 30$$

$$R_P = R_W(Q^2 + 1) = 10(30^2 + 1) = 10(901) = 9010 \Omega$$

(equivalent resistance of the parallel circuit at resonance)

$$\text{BW} = \frac{f_r}{Q}$$

$$Q = \frac{f_r}{\text{BW}} = \frac{10 \text{ MHz}}{1 \text{ MHz}} = 10 \text{ (} Q \text{ needed for 1-MHz bandwidth)}$$

$$R_{P_{\text{new}}} = QX_L = 10(300) = 3000 \Omega$$

(this is the total resistance of the circuit $R_{P_{\text{new}}}$ made up of the original R_P and an externally connected resistor R_{ext})

$$R_{P_{\text{new}}} = \frac{R_P R_{\text{ext}}}{R_P + R_{\text{ext}}}$$

$$R_{\text{ext}} = \frac{R_{P_{\text{new}}} R_P}{R_P - R_{P_{\text{new}}}} = \frac{9010(3000)}{9010 - 3000} = 4497.5 \Omega$$

2-3 Filters

A *filter* is a frequency-selective circuit. Filters are designed to pass some frequencies and reject others. The series and parallel resonant circuits reviewed in Section 2-2 are examples of filters.

Filter

There are numerous ways to implement filter circuits. Simple filters created by using resistors and capacitors or inductors and capacitors are called *passive filters* because

they use passive components that do not amplify. In communication work, many filters are of the passive *LC* variety, although many other types are used. Some special types of filters are active filters that use *RC* networks with feedback in op amp circuits, switched capacitor filters, crystal and ceramic filters, surface acoustic wave (SAW) filters, and digital filters implemented with digital signal processing (DSP) techniques.

Passive filter

The five basic kinds of filter circuits are as follows:

Low-pass filter. Passes frequencies below a critical frequency called the *cutoff frequency* and greatly attenuates those above the cutoff frequency.

High-pass filter. Passes frequencies above the cutoff but rejects those below it.

Bandpass filter. Passes frequencies over a narrow range between lower and upper cutoff frequencies.

Band-reject filter. Rejects or stops frequencies over a narrow range but allows frequencies above and below to pass.

All-pass filter. Passes all frequencies equally well over its design range but has a fixed or predictable phase shift characteristic.

RC Filters

A low-pass filter allows the lower-frequency components of the applied voltage to develop output voltage across the load resistance, whereas the higher-frequency components are attenuated, or reduced, in the output.

RC filter

A high-pass filter does the opposite, allowing the higher-frequency components of the applied voltage to develop

voltage across the output load resistance.

The case of an RC coupling circuit is an example of a high-pass filter because the ac component of the input voltage is developed across R and the dc voltage is blocked by the series capacitor. Furthermore, with higher frequencies in the ac component, more ac voltage is coupled.

Any low-pass or high-pass filter can be thought of as a frequency-dependent voltage divider because the amount of output voltage is a function of frequency.

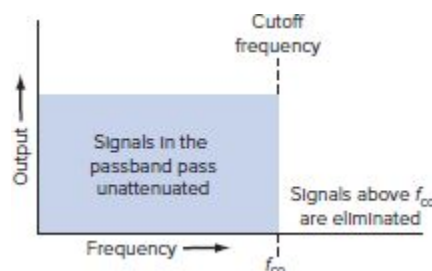
RC filters use combinations of resistors and capacitors to achieve the desired response. Most RC filters are of the low-pass or high-pass type. Some band-reject or notch filters are also made with RC circuits. Bandpass filters can be made by combining low-pass and high-pass RC sections, but this is rarely done.

Low-Pass Filter. A *low-pass filter* is a circuit that introduces no attenuation at frequencies below the cutoff frequency but completely eliminates all signals with frequencies above the cutoff. Low-pass filters are sometimes referred to as *high cut filters*.

Low-pass filter (high cut filter)

The ideal response curve for a low-pass filter is shown in Fig. 2-23. This response curve cannot be realized in practice. In practical circuits, instead of a sharp transition at the cutoff frequency, there is a more gradual transition between little or no attenuation and maximum attenuation.

Figure 2-23 Ideal response curve of a low-pass filter.



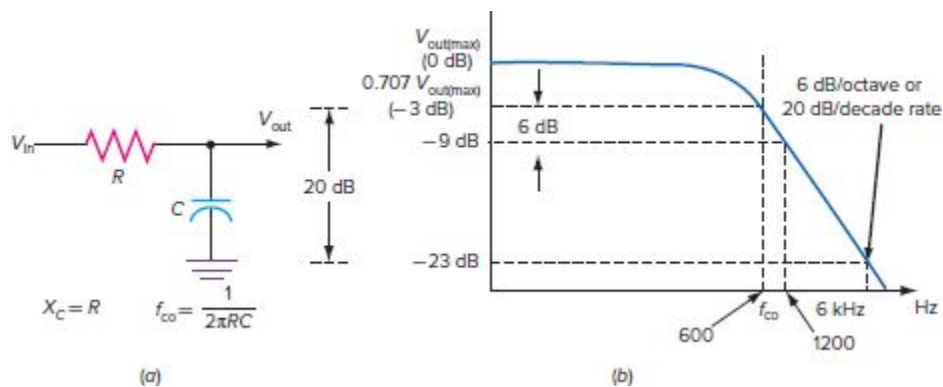
The simplest form of low-pass filter is the RC circuit shown in Fig. 2-24(a). The circuit forms a simple voltage divider with one frequency-sensitive component, in this case the capacitor. At very low frequencies, the capacitor has very high reactance compared to the resistance and therefore the attenuation is minimum. As the frequency increases, the capacitive reactance decreases. When the reactance becomes smaller than the resistance, the attenuation increases rapidly. The frequency response of the basic circuit is illustrated in Fig. 2-24(b). The cutoff frequency of this filter is that point where R and X_C are equal. The cutoff frequency, also known as the critical frequency, is determined by the expression

$$X_C = R$$

$$\frac{1}{2\pi f_c} = R$$

$$f_{co} = \frac{1}{2\pi RC}$$

Figure 2-24 RC low-pass filter. (a) Circuit. (b) Low-pass filter.



For example, if $R = 4.7 \text{ k}\Omega$ and $C = 560 \text{ pF}$, the cutoff frequency is

$$f_{co} = \frac{1}{2\pi(4700)(560 \times 10^{-12})} = 60,469 \text{ Hz or } 60.5 \text{ kHz}$$

Example 2-23

What is the cutoff frequency of a single-section RC low-pass filter with $R = 8.2 \text{ k}\Omega$ and $C = 0.0033 \text{ }\mu\text{F}$?

$$f_{co} = \frac{1}{2\pi RC} = \frac{1}{2\pi(8.2 \times 10^3)(0.0033 \times 10^{-6})}$$
$$f_{co} = 5881.56 \text{ Hz} \quad \text{or} \quad 5.88 \text{ kHz}$$

At the cutoff frequency, the output amplitude is page 59 70.7 percent of the input amplitude at lower frequencies. This is the so-called 3-dB down point. In other words, this filter has a voltage gain of -3 dB at the cutoff frequency. At frequencies above the cutoff frequency, the amplitude decreases at a linear rate of 6 dB per octave or 20 dB per decade. An *octave* is defined as a doubling or halving of frequency, and a *decade* represents a one-tenth or times-10 relationship. Assume that a filter has a cutoff of 600 Hz. If the frequency doubles to 1200 Hz, the attenuation will increase by 6 dB, or from 3 dB at cutoff to 9 dB at 1200 Hz. If the frequency increased by a factor of 10 from 600 Hz to 6 kHz, the attenuation would increase by a factor of 20 dB from 3 dB at cutoff to 23 dB at 6 kHz.

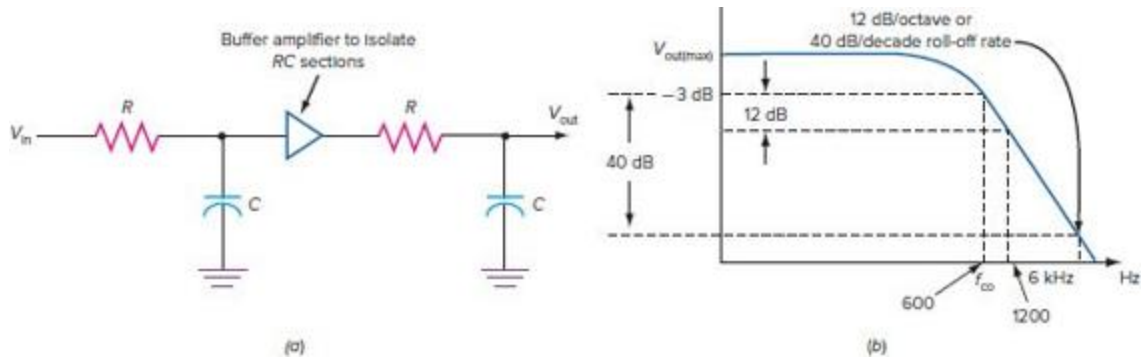
Octave

Decade

If a faster rate of attenuation is required, two RC sections set to the same cutoff frequency can be used. Such a circuit is shown in Fig. 2-25(a). With this circuit, the rate of attenuation is 12 dB per octave or 40 dB per decade. Two identical RC circuits are used, but an isolation or buffer amplifier such as an emitter-follower ($\text{gain} \approx 1$) is used between them to prevent the second section from loading the first. Cascading two RC sections without the isolation will give an

attenuation rate less than the theoretically ideal 12-dB octave because of the loading effects.

Figure 2-25 Two stages of RC filter improve the response but increase signal loss. (a) Circuit. (b) Response curve.



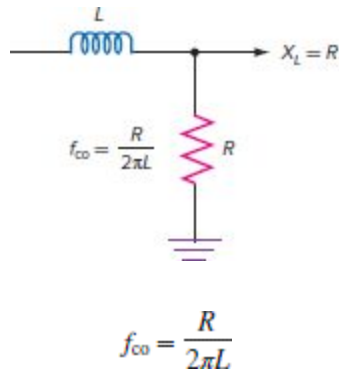
If the cutoff frequency of each RC section is the same, the overall cutoff frequency for the complete filter is somewhat less. This is caused by added attenuation of the second section.

With a steeper attenuation curve, the circuit is said to be more selective. The disadvantage of cascading such sections is that higher attenuation makes the output signal considerably smaller. This signal attenuation in the passband of the filter is called *insertion loss*.

Insertion loss

A low-pass filter can also be implemented with an inductor and a resistor, as shown in Fig. 2-26. The response curve for this RL filter is the same as that shown in Fig. 2-24(b). The cutoff frequency is determined by using the formula

Figure 2-26 A low-pass filter implemented with an inductor.

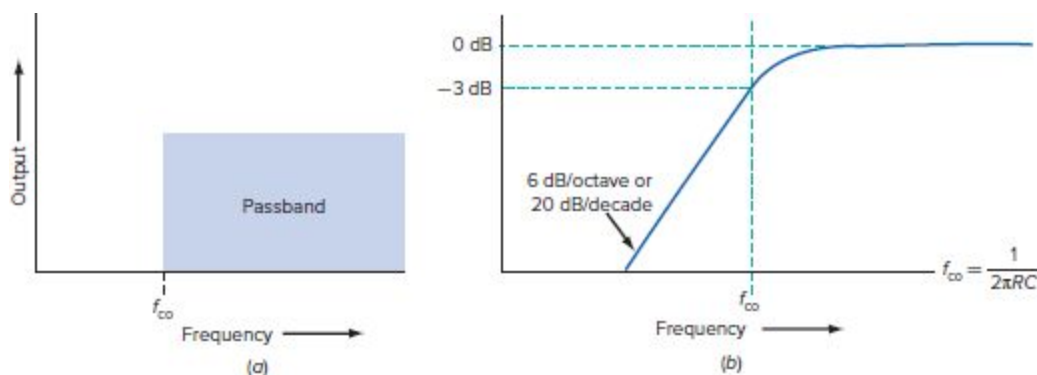


The *RL* low-pass filters are not as widely used as page 60 *RC* filters because inductors are usually larger, heavier, and more expensive than capacitors. Inductors also have greater loss than capacitors because of their inherent winding resistance.

High-Pass Filter. A *high-pass filter* passes frequencies above the cutoff frequency with little or no attenuation but greatly attenuates those signals below the cutoff. The ideal high-pass response curve is shown in Fig. 2-27(a). Approximations to the ideal response curve shown in Fig. 2-27(b) can be obtained with a variety of *RC* and *LC* filters.

High-pass filter

Figure 2-27 Frequency response curve of a high-pass filter. (a) Ideal. (b) Practical.



The basic *RC* high-pass filter is shown in Fig. 2-28(a). Again, it is nothing more than a voltage divider with the

capacitor serving as the frequency-sensitive component in a voltage divider. At low frequencies, X_c is very high. When X_c is much higher than R , the voltage divider effect provides high attenuation of the low-frequency signals. As the frequency increases, the capacitive reactance decreases. When the capacitive reactance is equal to or less than the resistance, the voltage divider gives very little attenuation. Therefore, high frequencies pass relatively unattenuated.

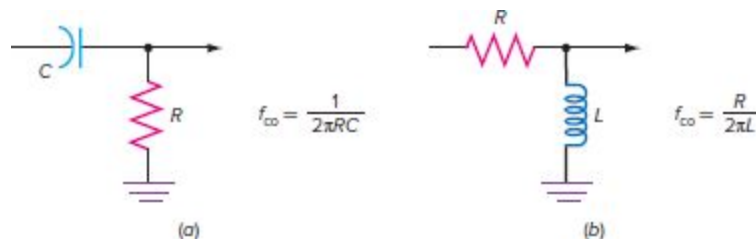
The cutoff frequency for this filter is the same as that for the low-pass circuit and is derived from setting X_c equal to R and solving for frequency:

$$f_{co} = \frac{1}{2\pi RC}$$

The roll-off rate is 6 dB per octave or 20 dB per decade.

A high-pass filter can also be implemented with a coil and a resistor, as shown in Fig. 2-28(b). The cutoff frequency is

Figure 2-28 (a) RC high-pass filter. (b) RL high-pass filter.



$$f_{co} = \frac{R}{2\pi L}$$

The response curve for this filter is the same as that shown in Fig. 2-27(b). The rate of attenuation is 6 dB per octave or 20 dB per decade, as was the case with the low-pass filter. Again, improved attenuation can be obtained by cascading filter sections.

Example 2-24

What is the closest standard EIA resistor value that will produce a cutoff frequency of 3.4 kHz with a 0.047- μF capacitor in a high-pass RC filter?

$$f_{\text{co}} = \frac{1}{2\pi RC}$$
$$R = \frac{1}{2\pi f_{\text{co}} C} = \frac{1}{2\pi(3.4 \times 10^3)(0.047 \times 10^{-6})} = 996 \Omega$$

The closest standard values are 910 and 1000 Ω , with 1000 being the closest.

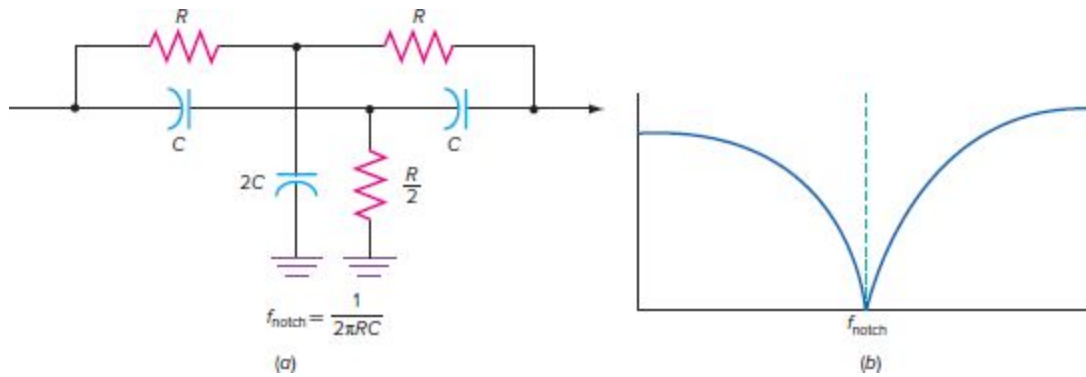
RC Notch Filter. *Notch filters* are also referred to as *bandstop* or *band-reject* filters. Band-reject filters are used to greatly attenuate a narrow range of frequencies around a center point. Notch filters accomplish the same purpose, but for a single frequency.

Notch filter (bandstop or band-reject filter)

A simple notch filter that is implemented with resistors and capacitors as shown in Fig. 2-29(a) is called a *parallel-T* or *twin-T* notch filter. This filter is a variation of a bridge circuit. Recall that in a bridge circuit the output is zero if the bridge is balanced. If the component values are precisely matched, the circuit will be in balance and produce an attenuation of an input signal at the design frequency as high as 30 to 40 dB. A typical response curve is shown in Fig. 2-29(b).

Parallel-T (twin-T) notch filter

Figure 2-29 RC notch filter.



The center notch frequency is computed with the formula

$$f_{\text{notch}} = \frac{1}{2\pi RC}$$

For example, if the values of resistance and capacitance are 100 k Ω and 0.02 μF , the notch frequency is

$$f_{\text{notch}} = \frac{1}{6.28(10^5)(0.02 \times 10^{-6})} = 79.6 \text{ Hz}$$

GOOD TO KNOW

Twin-T notch filters are used at low frequencies to eliminate power line hum from audio circuits and medical equipment amplifiers.

Twin-T notch filters are used primarily at low frequencies, audio and below. A common use is to eliminate 60-Hz power line hum from audio circuits and low-frequency medical equipment amplifiers. The key to high attenuation at the notch frequency is precise component values. The resistor and capacitor values must be matched to achieve high attenuation.

Example 2-25

What values of capacitors would you use in an RC twin-T notch filter to remove 120 Hz if $R = 220 \text{ k}\Omega$?

$$f_{\text{notch}} = \frac{1}{2\pi RC}$$
$$C = \frac{1}{2\pi f_{\text{notch}} R} = \frac{1}{6.28(120)(220 \times 10^3)}$$
$$C = 6.03 \times 10^{-9} = 6.03 \text{ nF} \quad \text{or} \quad 0.006 \mu\text{F}$$
$$2C = 0.012 \mu\text{F}$$

LC Filters

RC filters are used primarily at the lower frequencies. They are very common at audio frequencies but are rarely used above about 100 kHz. At radio frequencies, their passband attenuation is just too great, and the cutoff slope is too gradual. It is more common to see LC filters made with inductors and capacitors. Inductors for lower frequencies are large, bulky, and expensive, but those used at higher frequencies are very small, light, and inexpensive. Over the years, a multitude of filter types have been developed. Filter design methods have also changed over the years, thanks to computer design.

Filter Terminology. When working with filters, you will hear a variety of terms to describe the operation and characteristics of filters. The following definitions will help you understand filter specifications and operation.

- 1. Passband.** This is the frequency range over which the filter passes signals. It is the frequency range between the cutoff frequencies or between the cutoff frequency and zero (for low-pass) or between the cutoff frequency and infinity (for high-pass).

Passband

2. Stop band. This is the range of frequencies outside the passband, i.e., the range of frequencies that is greatly attenuated by the filter. Frequencies in this range are rejected.

Stop band

3. Attenuation. This is the amount by which undesired frequencies in the stop band are reduced. It can be expressed as a power ratio or voltage ratio of the output to the input. Attenuation is usually given in decibels.

Attenuation

4. Insertion loss. Insertion loss is the loss the filter introduces to the signals in the passband. Passive filters introduce attenuation because of the resistive losses in the components. Insertion loss is typically given in decibels.

Insertion loss

5. Impedance. Impedance is the resistive value of the load and source terminations of the filter. Filters are usually designed for specific driving source and load impedances that must be present for proper operation.

Impedance

6. Ripple. Amplitude variation with frequency in the passband, or the repetitive rise and fall of the signal level in the passband of some types of filters, is known as ripple. It is usually stated in decibels. There may also be ripple in the stop bandwidth in some types of filters.

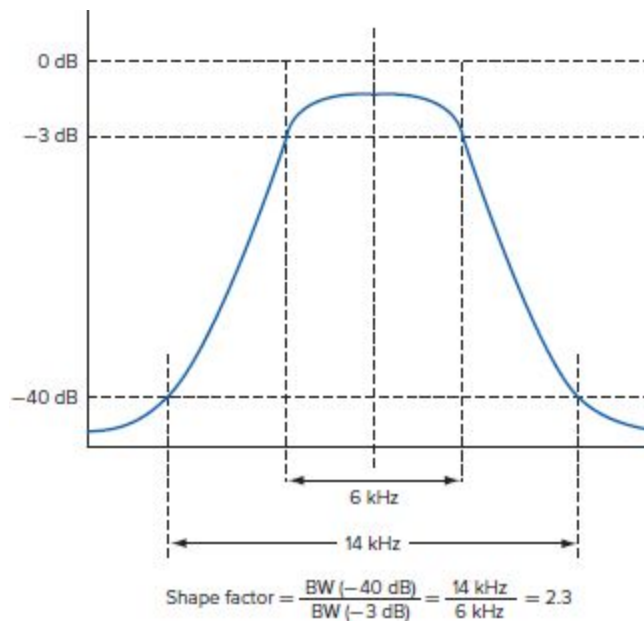
Ripple

7. Shape factor. Shape factor, also known as page 63 bandwidth ratio, is the ratio of the stop bandwidth to the pass bandwidth of a bandpass filter. It compares the bandwidth at minimum attenuation, usually at the -3-dB points or cutoff frequencies, to that

of maximum attenuation and thus gives a relative indication of attenuation rate or selectivity. The smaller the ratio, the greater the selectivity. The ideal is a ratio of 1, which in general cannot be obtained with practical filters. The filter in Fig. 2-30 has a bandwidth of 6 kHz at the -3-dB attenuation point and a bandwidth of 14 kHz at the -40-dB attenuation point. The shape factor then is $14 \text{ kHz}/6 \text{ kHz} = 2.333$. The points of comparison vary with different filters and manufacturers. The points of comparison may be at the 6-dB down and 60-dB down points or at any other designated two levels.

Shape factor

Figure 2-30 Shape factor.



8. **Pole.** A pole is a frequency at which there is a high impedance in the circuit. It is also used to describe one *RC* section of a filter. A simple low-pass *RC* filter such as that in Fig. 2-24(a) has one pole. The two-section filter in Fig. 2-25 has two poles. For *LC* low- and high-pass filters, the number of poles is equal to the number of reactive components in the filter. For bandpass and band-reject

filters, the number of poles is generally assumed to be one-half the number of reactive components used.

Pole

9. Zero. This term refers to a frequency at which there is zero impedance in the circuit.

Zero

10. Envelope delay. Also known as time delay, envelope delay is the time it takes for a specific point on an input waveform to pass through the filter.

Envelope delay

11. Roll-off. Also called the attenuation rate, roll-off is the rate of change of amplitude with frequency in a filter. The faster the roll-off, or the higher the attenuation rate, the more selective the filter is, i.e., the better able it is to differentiate between two closely spaced signals, one desired and the other not.

Roll-off

Any of the four basic filter types can be easily implemented with inductors and capacitors. Such filters can be made for frequencies up to about several hundred megahertz before the component values get too small to be practical. At frequencies above this frequency, special filters made with microstrip techniques on printed-circuit boards, surface acoustic wave filters, and cavity resonators are common. Because two types of reactances are used, inductive combined with capacitive, the roll-off rate of attenuation is greater with *LC* filters than with *RC* filters. The inductors make such filters larger and more expensive, but the need for better selectivity makes them necessary.

Low- and High-Pass LC Filters. Fig. 2-31 shows page 64 the basic low-pass filter configurations. The basic two-pole circuit in Fig. 2-31(a) provides an attenuation rate

of 12 dB per octave or 20 dB per decade. These sections may be cascaded to provide an even greater roll-off rate. The chart in Fig. 2-32 shows the attenuation rates for low-pass filters with two through seven poles. The horizontal axis f/f_c is the ratio of any given frequency in ratio to the filter cutoff frequency f_c . The value n is the number of poles in the filter. Assume a cutoff frequency of 20 MHz. The ratio for a frequency of 40 MHz would be $40/20 = 2$. This represents a doubling of the frequency, or one octave. The attenuation on the curve with two poles is 12 dB. The π and T filters in Fig. 2-31(b) and (c) with three poles give an attenuation rate of 18 dB for a 2:1 frequency ratio. Fig. 2-33 shows the basic high-pass filter configurations. A curve similar to that in Fig. 2-32 is also used to determine attenuation for filters with multiple poles. Cascading these sections provides a greater attenuation rate. Those filter configurations using the least number of inductors are preferred for lower cost and less space.

Figure 2-31 Low-pass filter configurations and response. (a) L section. (b) T section. (c) π section. (d) Response curve.

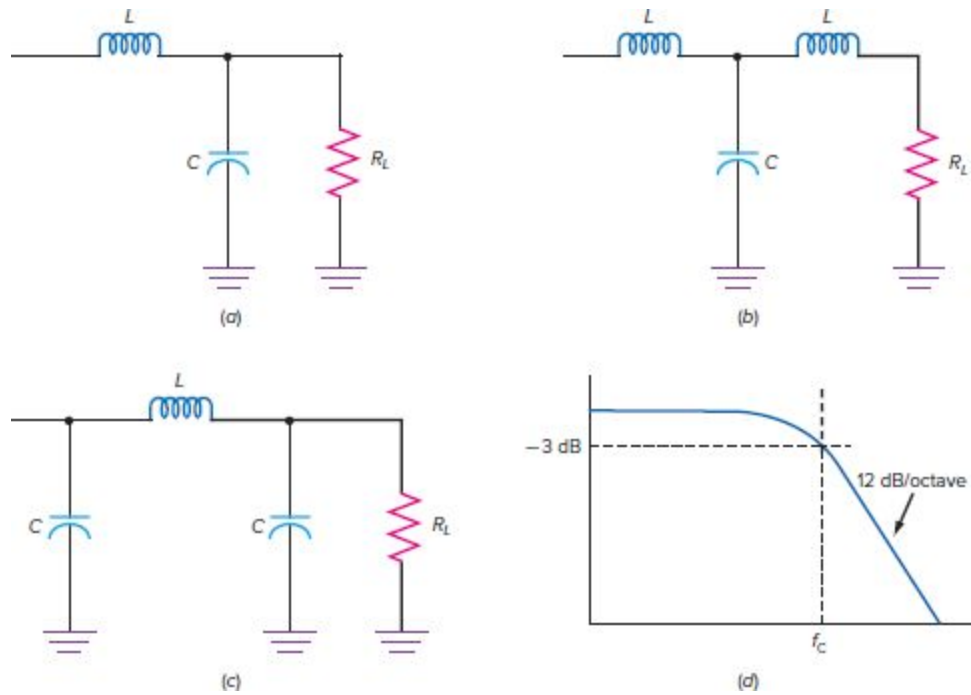


Figure 2-32 Low-pass Butterworth filter attenuation curves beyond the cutoff frequency f_c .

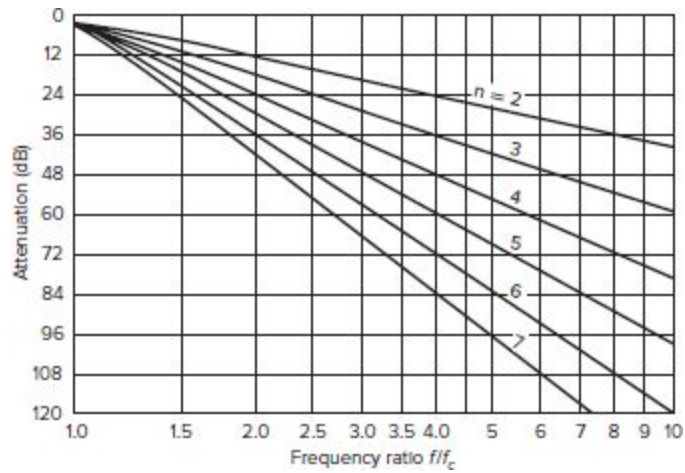
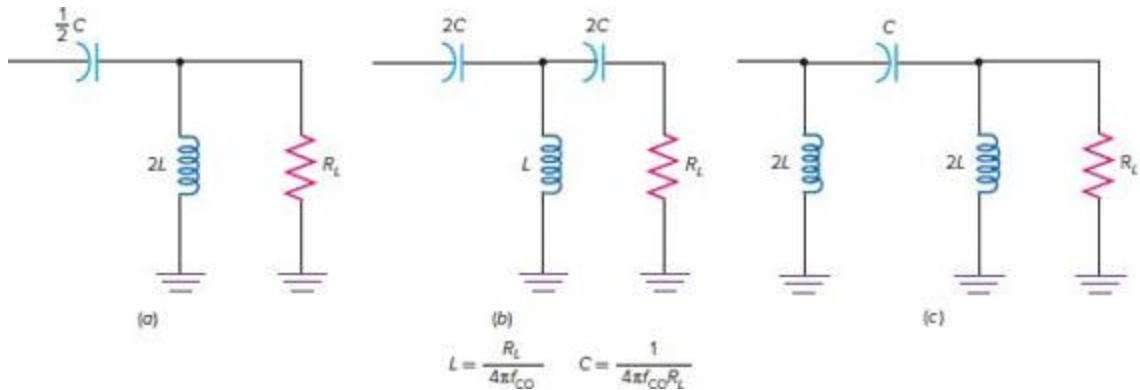


Figure 2-33 High-pass filters. (a) L section. (b) T section (b) π section.



Types of Filters

The major types of *LC* filters in use are named after the person who discovered and developed the analysis and design method for each filter. The most widely used filters are Butterworth, Chebyshev, Cauer (elliptical), and Bessel. Each can be implemented by using the basic low- and high-pass configurations shown previously. The different response curves are achieved by selecting the component values during the design.

Butterworth. The *Butterworth* filter effect has maximum flatness in response in the passband and a uniform attenuation with frequency. The attenuation rate just outside the passband is not as great as can be achieved with other types of filters. See Fig. 2-34 for an example of a low-pass Butterworth filter.

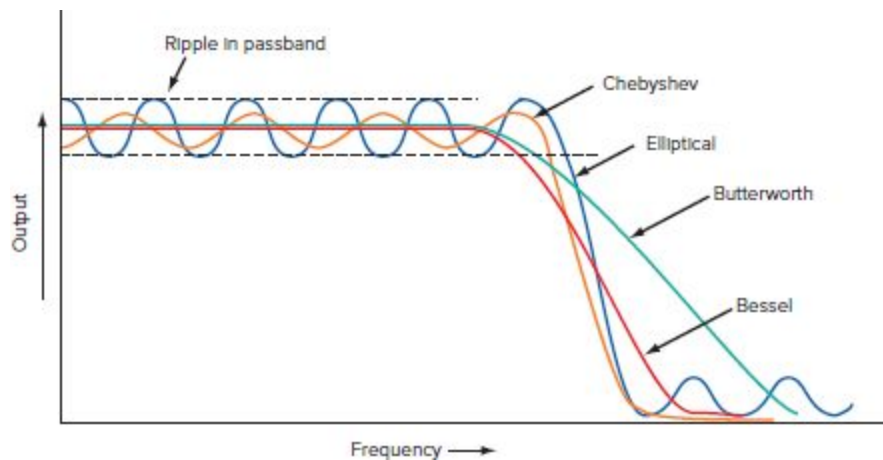
Butterworth filter

Chebyshev. *Chebyshev* (or *Tchebyshev*) filters have extremely good selectivity; i.e., their attenuation rate or roll-off is high, much higher than that of the Butterworth filter (see Fig. 2-34). The attenuation just outside the passband is also very high—again, better than that of the Butterworth. The main problem with the Chebyshev filter is that it has ripple in the passband, as is evident from the figure. The

response is not flat or constant, as it is with the Butterworth filter. This may be a disadvantage in some applications.

Chebyshev filter

Figure 2-34 Butterworth, elliptical, Bessel, and Chebyshev response curves.



Cauer (Elliptical). Cauer filters produce an even greater attenuation or roll-off rate than do Chebyshev filters and greater attenuation out of the passband. However, they do this with an even higher ripple in the passband as well as outside of the passband.

Cauer (elliptical) filter

Bessel. Also called *Thomson filters*, Bessel circuits provide the desired frequency response (i.e., low-pass, bandpass, etc.) but have a constant time delay in the passband. Bessel filters have what is known as a *flat group delay*: as the signal frequency varies in the passband, the phase shift or time delay it introduces is constant. In some applications, constant group delay is necessary to prevent distortion of the signals in the passband due to varying phase shifts with frequency. Filters that must pass pulses or wideband modulation are examples. To achieve this desired response, the Bessel filter has lower attenuation just outside the passband.

Bessel (Thomson) filter

Mechanical Filters. An older but still useful filter is page 66 the mechanical filter. This type of filter uses resonant vibrations of mechanical disks to provide the selectivity. The signal to be filtered is applied to a coil that interacts with a permanent magnet to produce vibrations in the rod connected to a sequence of seven or eight disks whose dimensions determine the center frequency of the filter. The disks vibrate only near their resonant frequency, producing movement in another rod connected to an output coil. This coil works with another permanent magnet to generate an electrical output. Mechanical filters are designed to work in the 200- to 500-kHz range and have very high Q s. Their performance is comparable to that of crystal filters.

Whatever the type, passive filters are usually designed and built with discrete components although they may also be put into integrated-circuit form. A number of filter design software packages are available to simplify and speed up the design process. The design of LC filters is specialized and complex and beyond the scope of this text. However, filters can be purchased as components. These filters are predesigned and packaged in small sealed housings with only input, output, and ground terminals and can be used just as integrated circuits are. A wide range of frequencies, response characteristics, and attenuation rates can be obtained.

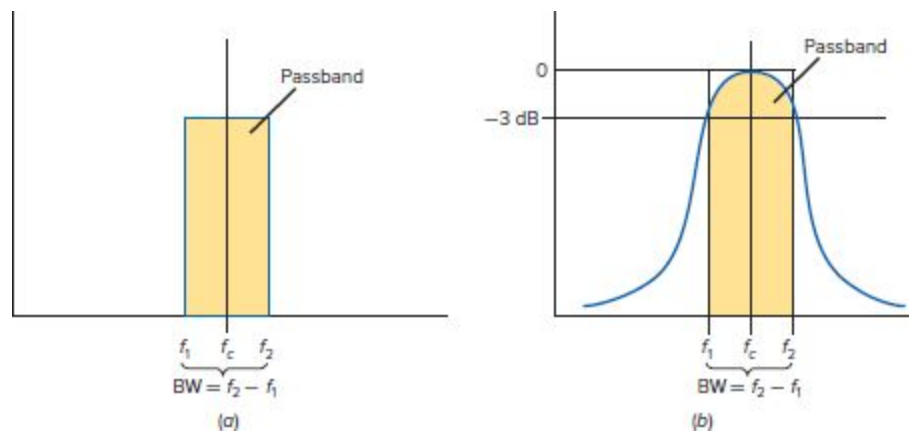
Bandpass filter

Bandpass Filters. A *bandpass filter* is one that allows a narrow range of frequencies around a center frequency f_c to pass with minimum attenuation but rejects frequencies above and below this range. The ideal response curve of a bandpass filter is shown in Fig. 2-35(a). It has both upper and lower cutoff frequencies f_2 and f_1 , as indicated. The

bandwidth of this filter is the difference between the upper and lower cutoff frequencies, or $BW = f_2 - f_1$. Frequencies above and below the cutoff frequencies are eliminated.

The ideal response curve is not obtainable with practical circuits, but close approximations can be obtained. A practical bandpass filter response curve is shown in Fig. 2-35(b). The simple series and parallel resonant circuits described in the previous section have a response curve like that in the figure and make good bandpass filters. The cutoff frequencies are those at which the output voltage is down 0.707 percent from the peak output value. These are the 3-dB attenuation points.

Figure 2-35 Response curves of a bandpass filter. (a) Ideal. (b) Practical.

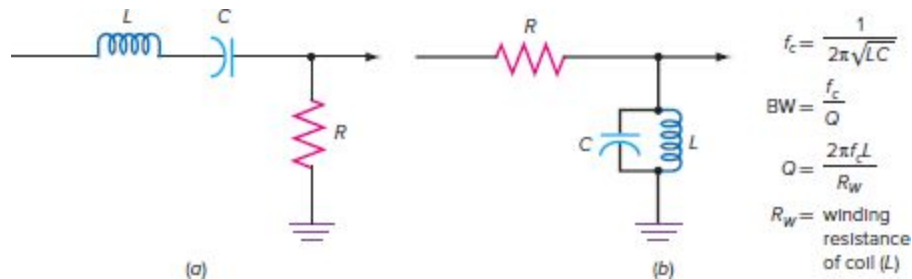


Two types of bandpass filters are shown in Fig. 2- page 67 36. In Fig. 2-36(a), a series resonant circuit is connected in series with an output resistor, forming a voltage divider. At frequencies above and below the resonant frequency, either the inductive or capacitive reactance will be high compared to the output resistance. Therefore, the output amplitude will be very low. However, at the resonant frequency, the inductive and capacitive reactances cancel, leaving only the small resistance of the inductor. Thus most of the input voltage appears across the larger output resistance. The response curve for this circuit

is shown in Fig. 2-35(b). Remember that the bandwidth of such a circuit is a function of the resonant frequency and Q :
 $BW = f_c/Q$.

A parallel resonant bandpass filter is shown in Fig. 2-36(b). Again, a voltage divider is formed with resistor R and the tuned circuit. This time the output is taken from across the parallel resonant circuit. At frequencies above and below the center resonant frequency, the impedance of the parallel tuned circuit is low compared to that of the resistance. Therefore, the output voltage is very low. Frequencies above and below the center frequency are greatly attenuated. At the resonant frequency, the reactances are equal and the impedance of the parallel tuned circuit is very high compared to that of the resistance. Therefore, most of the input voltage appears across the tuned circuit. The response curve is similar to that shown in Fig. 2-35(b).

Figure 2-36 Simple bandpass filters.



Improved selectivity with steeper “skirts” on the curve can be obtained by cascading several bandpass sections. Several ways to do this are shown in Fig. 2-37. As sections are cascaded, the bandwidth becomes narrower and the response curve becomes steeper. An example is shown in Fig. 2-38. As indicated earlier, using multiple filter sections greatly improves the selectivity but increases the passband attenuation (insertion loss), which must be offset by added gain.

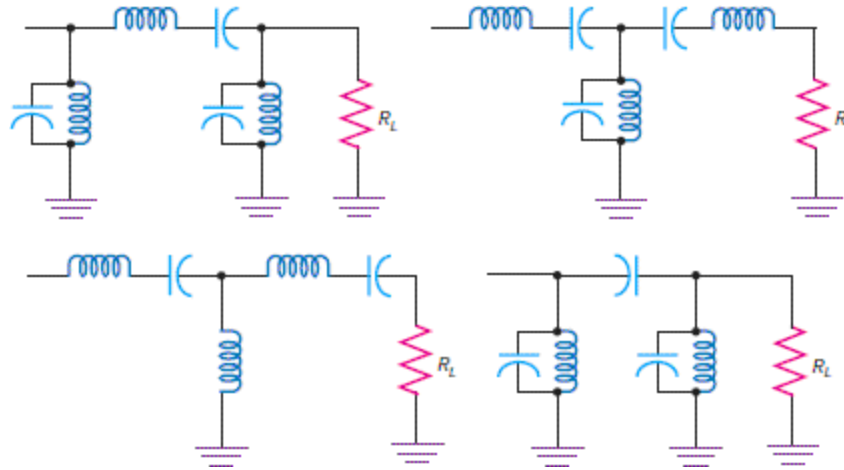
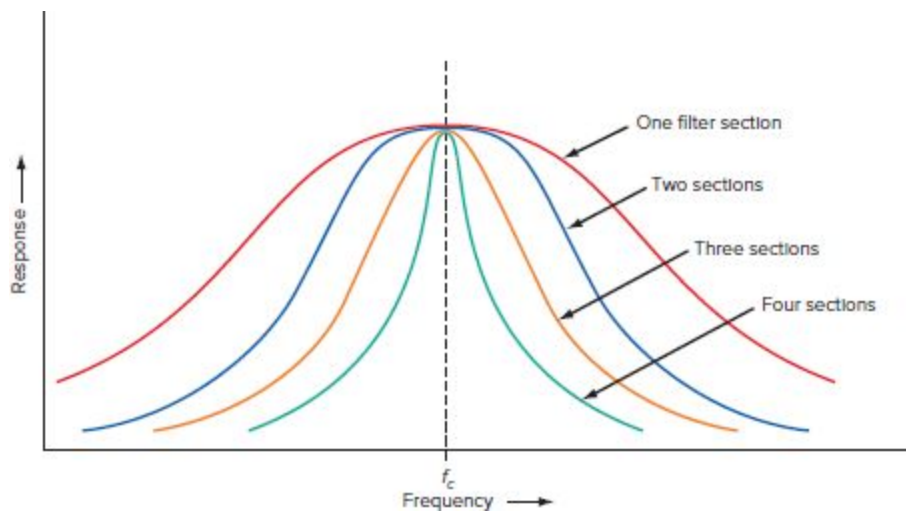


Figure 2-38 How cascading filter sections narrow the bandwidth and improve selectivity.

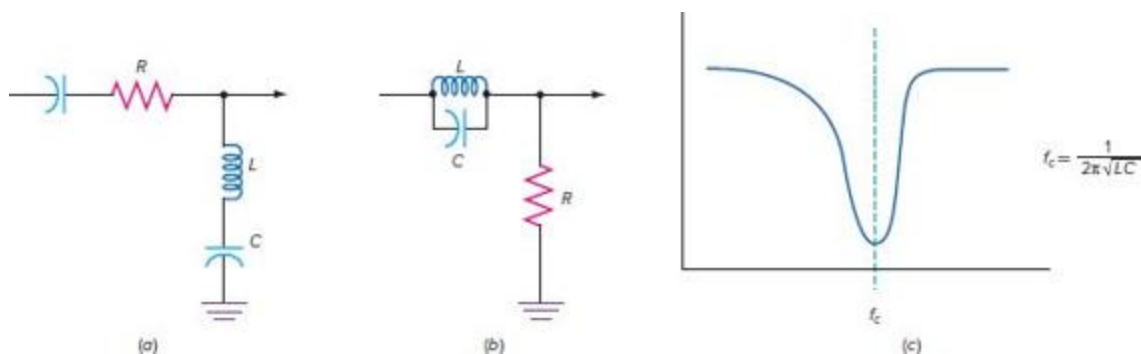


Band-Reject Filters. *Band-reject filters*, also known page 69 as *bandstop filters*, reject a narrow band of frequencies around a center or notch frequency. Two typical LC bandstop filters are shown in Fig. 2-39. In Fig. 2-39(a), the series LC resonant circuit forms a voltage divider with input resistor R . At frequencies above and below the center rejection or notch frequency, the LC circuit impedance is high compared to that of the resistance. Therefore, signals at frequencies above and below center frequency are

passed with minimum attenuation. At the center frequency, the tuned circuit resonates, leaving only the small resistance of the inductor. This forms a voltage divider with the input resistor. Since the impedance at resonance is very low compared to the resistor, the output signal is very low in amplitude. A typical response curve is shown in Fig. 2-39(c).

Band-reject filter (bandstop filter)

Figure 2-39 LC tuned bandstop filters. (a) Shunt. (b) Series. (c) Response curve.



A parallel version of this circuit is shown in Fig. 2-39(b), where the parallel resonant circuit is connected in series with a resistor from which the output is taken. At frequencies above and below the resonant frequency, the impedance of the parallel circuit is very low; there is, therefore, little signal attenuation, and most of the input voltage appears across the output resistor. At the resonant frequency, the parallel LC circuit has an extremely high resistive impedance compared to the output resistance, and so minimum voltage appears at the center frequency. LC filters used in this way are often referred to as *traps*.

Trap

Another bridge-type notch filter is the *bridge-T filter* shown in Fig. 2-40. This filter, which is widely used in RF circuits, uses inductors and capacitors and thus has a

steeper response curve than the RC twin-T notch filter. Since L is variable, the notch is tunable.

Bridge-T filter

Figure 2-40 Bridge-T notch filter.

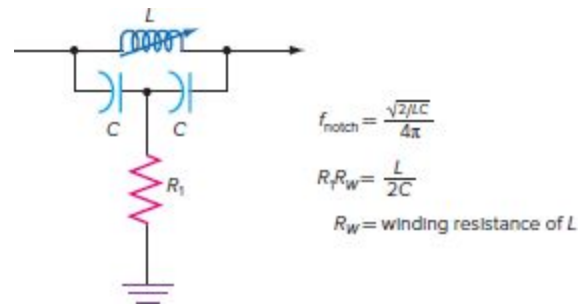
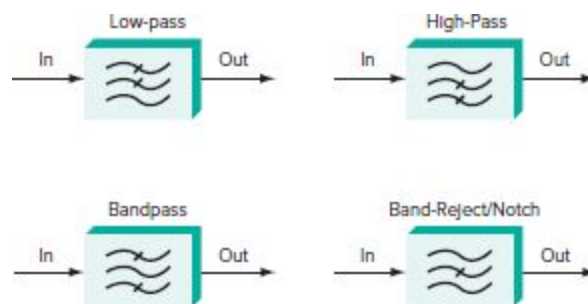


Fig. 2-41 shows common symbols used to represent RC and LC filters or any other type of filter in system block diagrams or schematics.

Figure 2-41 Block diagram or schematic symbols for filters.



Active Filters

Active filter

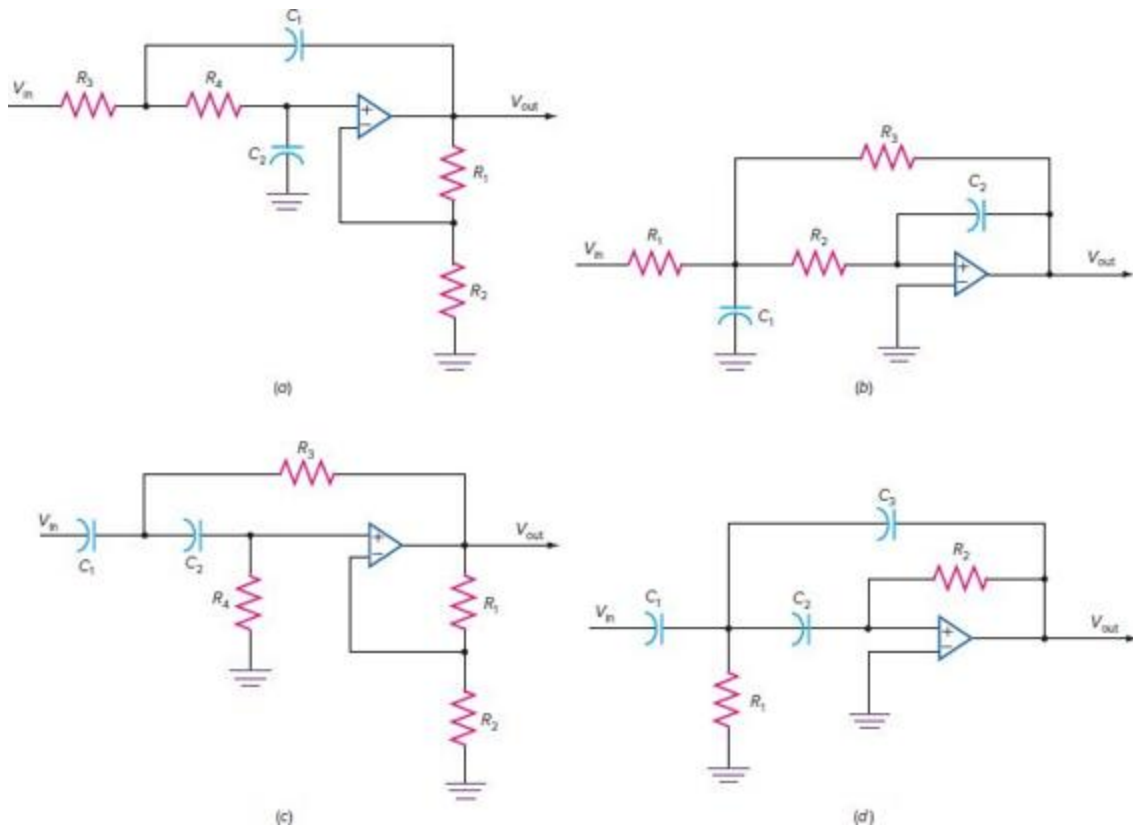
Active filters are frequency-selective circuits that incorporate RC networks and amplifiers with feedback to produce low-pass, high-pass, bandpass, and bandstop performance. These filters can replace standard passive LC filters in many applications. They offer the following advantages over standard passive LC filters.

1. **Gain.** Because active filters use amplifiers, they can be designed to amplify as well as filter, thus offsetting any insertion loss.
2. **No inductors.** Inductors are usually larger, heavier, and more expensive than capacitors and have greater losses. Active filters use only resistors and capacitors.
3. **Easy to tune.** Because selected resistors can be made variable, the filter cutoff frequency, center frequency, gain, Q , and bandwidth are adjustable.
4. **Isolation.** The amplifiers provide very high isolation between cascaded circuits because of the amplifier circuitry, thereby decreasing interaction between filter sections.
5. **Easier impedance matching.** Impedance matching is not as critical as with LC filters.

Fig. 2-42 shows two types of low-pass active filters and two types of high-pass active filters. Note that these active filters use op amps to provide the gain. The voltage divider, made up of R_1 and R_2 , sets the circuit gain in the circuits of Fig. 2-42(a) and (c) as in any noninverting op amp. The gain is set by R_3 and/or R_1 in Fig. 2-42(b) and by C_3 and/or C_1 in Fig. 2-42(d). All circuits have what is called a *second-order response*, which means that they provide the same filtering action as a two-pole LC filter. The roll-off rate is 12 dB per octave, or 40 dB per decade. Multiple filters can be cascaded to provide faster roll-off rates.

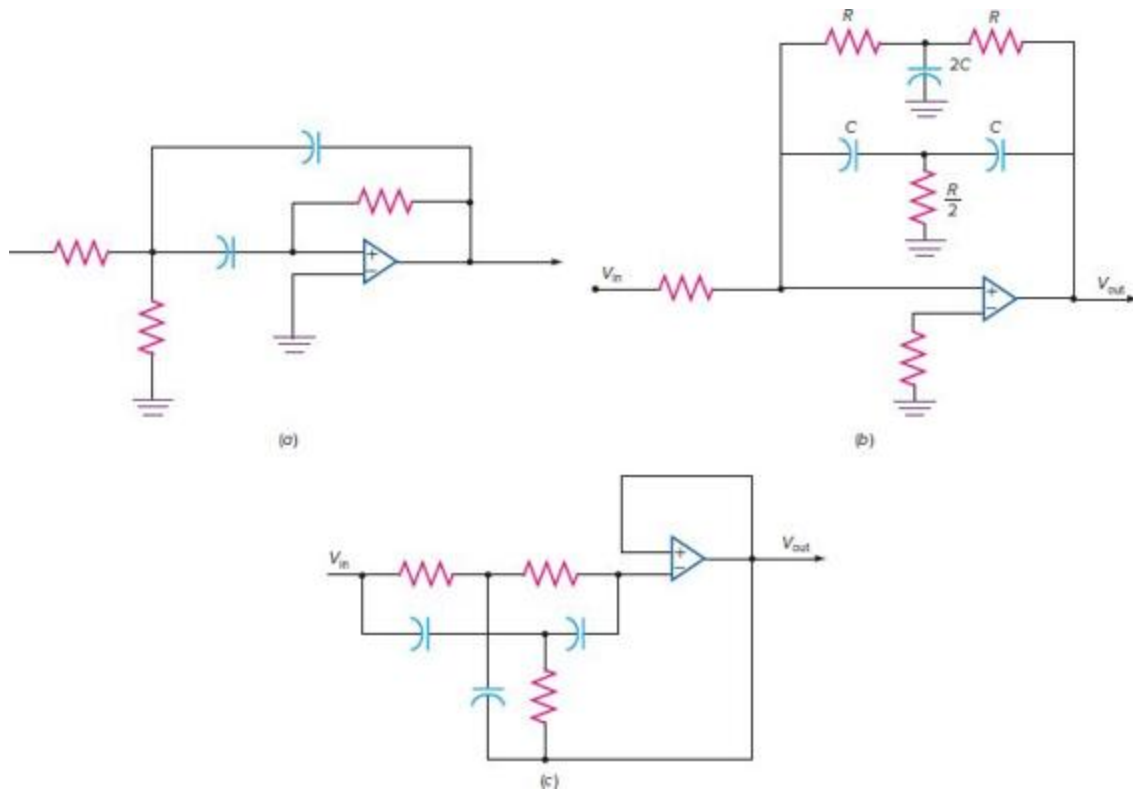
Second-order response

Figure 2-42 Types of active filters. (a) Low-pass. (b) Low-pass. (c) High-pass. (d) High-pass.



Two active bandpass filters and a notch filter are page 71 shown in Fig. 2-43. In Fig. 2-43(a), both RC low-pass and high-pass sections are combined with feedback to give a bandpass result. In Fig. 2-43(b), a twin-T RC notch filter is used with negative feedback to provide a bandpass result. A notch filter using a twin-T is illustrated in Fig. 2-43(c). The feedback makes the response sharper than that with a standard passive twin-T.

Figure 2-43 Active bandpass and notch filters. (a) Bandpass. (b) Bandpass. (c) High-Q notch.



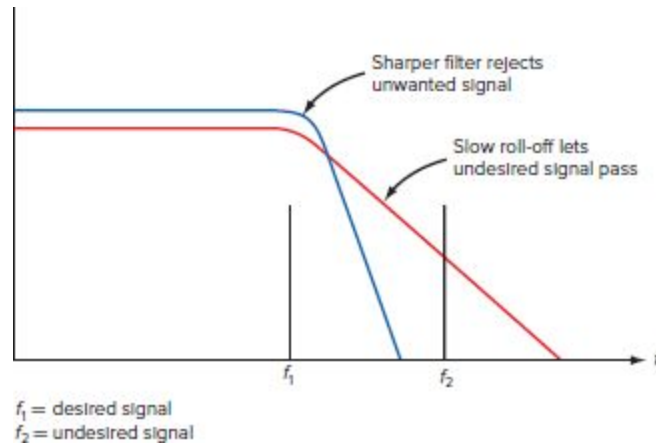
Active filters are made with integrated-circuit (IC) op amps and discrete RC networks. They can be designed to have any of the responses discussed earlier, such as Butterworth and Chebyshev, and they are easily cascaded to provide even greater selectivity. Active filters are also available as complete packaged components. The primary disadvantage of active filters is that their upper frequency of operation is limited by the frequency response of the op amps and the practical sizes of resistors and capacitors. Most active filters are used at frequencies below 1 MHz, and most active circuits operate in the audio range and slightly above. However, today op amps with frequency ranges up to one microwave (>1 GHz) mated with chip resistors and capacitors have made RC active filters practical for applications up to the RF range.

Crystal and Ceramic Filters

The selectivity of a filter is limited primarily by the Q of the circuits, which is generally the Q of the inductors used. With LC circuits, it is difficult to achieve Q values over 200. In fact, most LC circuit Q s are in the range of 10 to 100, and as a result, the roll-off rate is limited. In some applications, however, it is necessary to select one desired signal, distinguishing it from a nearby undesired signal (see Fig. 2-44). A conventional filter has a slow roll-off rate, and the undesired signal is not, therefore, fully attenuated. The way to gain greater selectivity and higher Q , so that the undesirable signal will be almost completely rejected, is to use filters that are made of thin slivers of quartz crystal or certain types of ceramic materials. These materials exhibit what is called *piezoelectricity*. When they are physically bent or otherwise distorted, they develop a voltage across the faces of the crystal. Alternatively, if an ac voltage is applied across the crystal or ceramic, the material vibrates at a very precise frequency, a frequency that is determined by the thickness, shape, and size of the crystal as well as the angle of cut of the crystal faces. In general, the thinner the crystal or ceramic element, the higher the frequency of oscillation.

Piezoelectricity

Figure 2-44 How selectivity affects the ability to discriminate between signals.



Crystals and ceramic elements are widely used in oscillators to set the frequency of operation to some precise value, which is held despite temperature and voltage variations that may occur in the circuit.

Crystals and ceramic elements can also be used as circuit elements to form filters, specifically bandpass filters. The equivalent circuit of a crystal or ceramic device is a tuned circuit with a Q of 10,000 to 1,000,000, permitting highly selective filters to be built.

Crystal Filters. *Crystal filters* are made from the same type of quartz crystals normally used in crystal oscillators. When a voltage is applied across a crystal, it vibrates at a specific resonant frequency, which is a function of the size, thickness, and direction of cut of the crystal. Crystals can be cut and ground for almost any frequency in the 100-kHz to 100-MHz range. The frequency of vibration of crystal is extremely stable, and crystals are therefore widely used to supply signals on exact frequencies with good stability.

Crystal filter

The equivalent circuit and schematic symbol of a quartz crystal are shown in Fig. 2-45. The crystal acts as a resonant LC circuit. The series LCR part of the equivalent circuit represents the crystal itself, whereas the parallel

capacitance C_p is the capacitance of the metal mounting plates with the crystal as the dielectric.

Figure 2-45 Quartz crystal. (a) Equivalent circuit. (b) Schematic symbol.

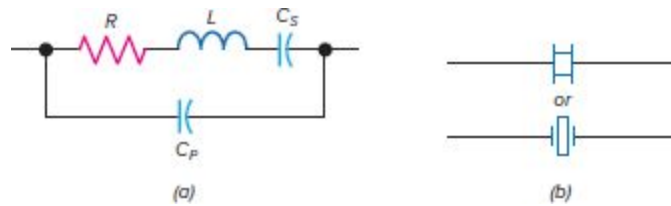
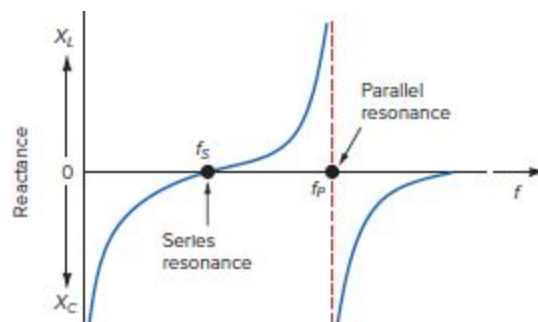


Fig. 2-46 shows the impedance variations of the page 73 crystal as a function of frequency. At frequencies below the crystal's resonant frequency, the circuit appears capacitive and has a high impedance. However, at some frequency, the reactances of the equivalent inductance L and the series capacitance C_s are equal, and the circuit resonates. The series circuit is resonant when $X_L = X_{C_s}$. At this series resonant frequency f_s , the circuit is resistive. The resistance of the crystal is extremely low, giving the circuit an extremely high Q . Values of Q in the 10,000 to 1,000,000 range are common. This makes the crystal a highly selective series resonant circuit.

Figure 2-46 Impedance variation with frequency of a quartz crystal.



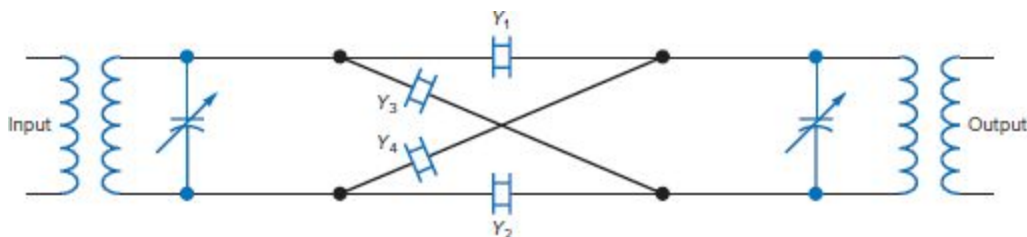
If the frequency of the signal applied to the crystal is above f_s , the crystal appears inductive. At some higher

frequency, the reactance of the parallel capacitance C_p equals the reactance of the net inductance. When this occurs, a parallel resonant circuit is formed. At this parallel resonant frequency f_p , the impedance of the circuit is resistive but extremely high.

Because the crystal has both series and parallel resonant frequencies that are close together, it makes an ideal component for use in filters. By combining crystals with selected series and parallel resonant points, highly selective filters with any desired bandpass can be constructed.

The most commonly used crystal filter is the full crystal lattice shown in Fig. 2-47. It is a bandpass filter. Note that transformers are used to provide the input to the filter and to extract the output. Crystals Y_1 and Y_2 resonate at one frequency, and crystals Y_3 and Y_4 resonate at another frequency. The difference between the two crystal frequencies determines the bandwidth of the filter. The 3-dB down bandwidth is approximately 1.5 times the crystal frequency spacing. For example, if the Y_1 to Y_2 frequency is 9 MHz and the Y_3 to Y_4 frequency is 9.002 MHz, the difference is $9.002 - 9.000 = 0.002 \text{ MHz} = 2 \text{ kHz}$. The 3-dB bandwidth is, then, $1.5 \times 2 \text{ kHz} = 3 \text{ kHz}$.

Figure 2-47 Crystal lattice filter.

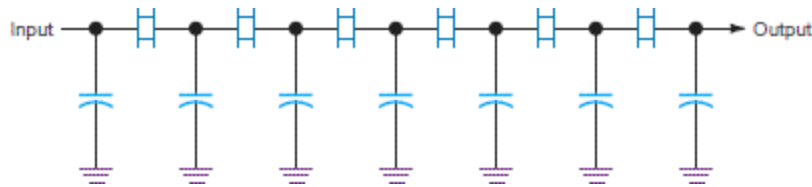


The crystals are also chosen so that the parallel resonant frequency of Y_3 to Y_4 equals the series resonant frequency of Y_1 to Y_2 . The series resonant frequency of Y_3 to Y_4 is

equal to the parallel resonant frequency of Y_1 to Y_2 . The result is a passband with extremely steep attenuation. Signals outside the passband are rejected as much as 50 to 60 dB below those inside the passband. Such a filter can easily discriminate between very closely spaced desired and undesired signals.

Another type of crystal filter is the ladder filter [page 74](#) shown in Fig. 2-48, which is also a bandpass filter. All the crystals in this filter are cut for exactly the same frequency. The number of crystals used and the values of the shunt capacitors set the bandwidth. At least six crystals must usually be cascaded to achieve the kind of selectivity needed in communication applications.

Figure 2-48 Crystal ladder filter.



GOOD TO KNOW

Ceramic filters are used in most communication receivers and transmitters because they are relatively small and inexpensive.

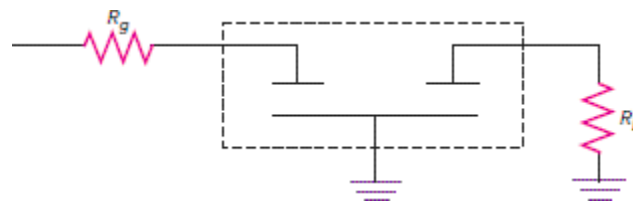
Ceramic Filters. Ceramic is a manufactured crystallike compound that has the same piezoelectric qualities as quartz. Ceramic disks can be made so that they vibrate at a fixed frequency, thereby providing filtering actions. *Ceramic filters* are very small and inexpensive and are, therefore, widely used in transmitters and receivers. Although the Q of ceramic does not have as high an upper limit as that of quartz, it is typically several thousand, which is very high compared to the Q obtainable with LC filters. Typical

ceramic filters are of the bandpass type with center frequencies of 455 kHz and 10.7 MHz. These are available in different bandwidths depending upon the application. Such ceramic filters are widely used in communication receivers.

Ceramic filter

A schematic diagram of a ceramic filter is shown in Fig. 2-49. For proper operation, the filter must be driven from a generator with an output impedance of R_g and be terminated with a load of R_L . The values of R_g and R_L are usually 1.5 or 2 k Ω .

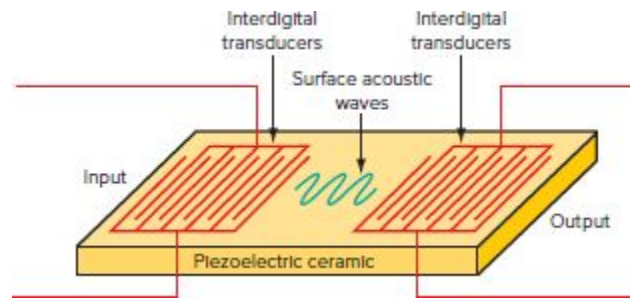
Figure 2-49 Schematic symbol for a ceramic filter.



Surface Acoustic Wave Filters. A special form of a crystal filter is the *surface acoustic wave (SAW) filter*. This fixed tuned bandpass filter is designed to provide the exact selectivity required by a given application. Fig. 2-50 shows the schematic design of a SAW filter. SAW filters are made on a piezoelectric ceramic substrate such as lithium niobate. A pattern of interdigital fingers on the surface converts the signals into acoustic waves that travel across the filter surface. By controlling the shapes, sizes, and spacings of the interdigital fingers, the response can be tailored to any application. Interdigital fingers at the output convert the acoustic waves back to electrical signals.

Surface acoustic wave (SAW) filter

Figure 2-50 A surface acoustic wave filter.



SAW filters are normally bandpass filters used at page 75 very high radio frequencies where selectivity is difficult to obtain. Their common useful range is from 10 MHz to 3 GHz. They have a low shape factor, giving them exceedingly good selectivity at such high frequencies. They do have a significant insertion loss, usually in the 10- to 35-dB range, which must be overcome with an accompanying amplifier. SAW filters are widely used in modern TV receivers, radar receivers, wireless LANs, and cell phones.

Bulk Acoustic Wave Filters. A bulk acoustic wave (BAW) filter is similar to the SAW in that it uses a piezoelectric film or dielectric that carries a signal from input to output. The signal path through the film is vertical rather than horizontal. A BAW filter, sometimes referred to as a film bulk acoustic resonator (FBAR), is a fixed-frequency bandpass filter that is configured as a ladder-like sequence of series and parallel sections similar to the crystal filter in Fig. 2-48. It offers improved performance over SAW filters. For example, while SAW filters perform best in the frequency range of about 100 MHz up to about 1.5 GHz, the BAW filters work well up to about 10 GHz. Other benefits are lower insertion loss, improved selectivity with steeper skirts, less temperature sensitivity, and smaller size.

BAW filters are gradually replacing the SAW filters. Their primary application is in the front end of smartphones. The front end is that section of a mobile phone that connects to the antenna and to the receiver input and the transmitter output. It uses CMOS switches along with the BAW filters to

select the right channels depending upon the mode it is in. These advanced phones must cover a wide range of frequencies used for the older 2G and 3G bands, current 4G bands, and now newer 5G bands. There are more than 40 channels used with these technologies. Some of the more advanced phones may incorporate over 40 filters, not only for cellular service but also filters for Wi-Fi, Bluetooth, and GPS.

The greatly improved selectivity of BAW filters minimizes the interference between channels and allows more channels to be used. Fewer and narrower protective guard bands are needed to free up useable spectrum space. BAW filters work particularly well in duplexers. A duplexer is a circuit that allows two circuits on closely spaced frequencies to share an antenna. Many cell phones are full duplex with the transmitter and receiver on different but closely spaced frequencies. The two filters are selective enough to prevent a receiver from being overwhelmed or desensitized by a transmitter in the same enclosure. The modern smartphone contains from 9 to 15 antennas serving the cellular channels as well as Wi-Fi, Bluetooth, and GPS wireless features. Some are shared; others are independent. All need BAW filters and the switches to connect them as the phone function dictates. More about this in Chap. 21.

Switched Capacitor Filters

Switched capacitor filter (SCF) or analog sampled data or commutating filter

Switched capacitor filters (SCFs) are active IC filters made of op amps, capacitors, and transistor switches. Also known as *analog sampled data filters* or *commutating filters*, these devices are usually implemented with MOS or CMOS circuits. They can be designed to operate as high-pass, low-pass, bandpass, or bandstop filters. The primary advantage of

SCFs is that they provide a way to make tuned or selective circuits in an IC without the use of discrete inductors, capacitors, or resistors.

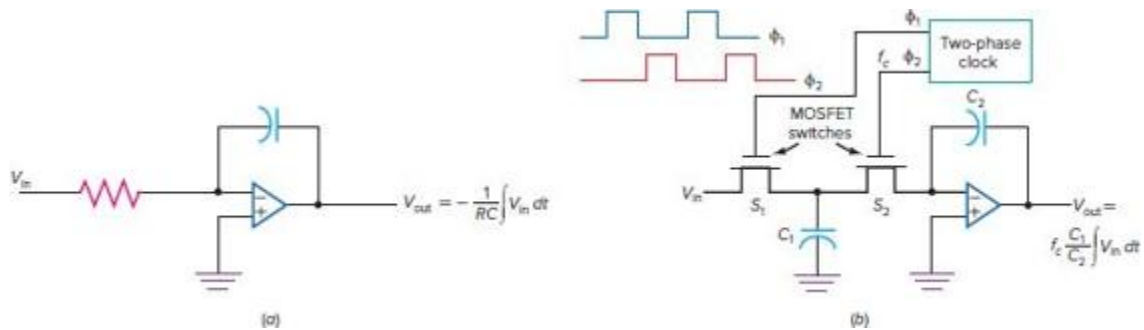
Switched capacitor filters are made of op amps, page 76 MOSFET switches, and capacitors. All components are fully integrated on a single chip, making external discrete components unnecessary. The secret to the SCF is that all resistors are replaced by capacitors that are switched by MOSFET switches. Resistors are more difficult to make in IC form and take up far more space on the chip than transistors and capacitors. With switched capacitors, it is possible to make complex active filters on a single chip. Other advantages are selectibility of filter type, full adjustability of the cutoff or center frequency, and full adjustability of bandwidth. One filter circuit can be used for many different applications and can be set to a wide range of frequencies and bandwidths.

Switched integrator

Switched Integrators. The basic building block of SCFs is the classic op amp integrator, as shown in Fig. 2-51(a). The input is applied through a resistor, and the feedback is provided by a capacitor. With this arrangement, the output is a function of the integral of the input:

$$V_{\text{out}} = -\frac{1}{RC} \int V_{\text{in}} dt$$

Figure 2-51 IC integrators. (a) Conventional integrator. (b) Switched capacitor integrator.



With ac signals, the circuit essentially functions as a low-pass filter with a gain of $1/RC$.

To work over a wide range of frequencies, the integrator RC values must be changed. Making low and high resistor and capacitor values in IC form is difficult. However, this problem can be solved by replacing the input resistor with a switched capacitor, as shown in Fig. 2-51(b). The MOSFET switches are driven by a clock generator whose frequency is typically 50 to 100 times the maximum frequency of the ac signal to be filtered. The resistance of a MOSFET switch when on is usually less than 1Ω . When the switch is off, its resistance is many megohms.

The clock puts out two phases, designated ϕ_1 and ϕ_2 , that drive the MOSFET switches. When S_1 is on, S_2 is off and vice versa. The switches are of the break-before-make type, which means that one switch opens before the other is closed. When S_1 is closed, the charge on the capacitor follows the input signal. Since the clock period and time duration that the switch is on are very short compared to the input signal variation, a brief "sample" of the input voltage remains stored on C_1 and S_1 turns off.

Now S_2 turns on. The charge on capacitor C_1 is applied to the summing junction of the op amp. It discharges, causing a current to flow in the feedback capacitor C_2 . The resulting output voltage is proportional to the integral of the input. But this time, the gain of the integrator is

$$f\left(\frac{C_1}{C_2}\right)$$

where f is the clock frequency. Capacitor C_1 , which is switched at a clock frequency of f with period T , is equivalent to a resistor value of $R = TC_1$.

The beauty of this arrangement is that it is not necessary to make resistors on the IC chip. Instead, capacitors and MOSFET switches, which are smaller than resistors, are used. Further, since the gain is a function of the ratio of C_1 to C_2 , the exact capacitor values are less important than their ratio. It is much easier to control the ratio of matched pairs of capacitors than it is to make precise values of capacitance.

By combining several such switching integrators, it page 77 is possible to create low-pass, high-pass, bandpass, and band-reject filters of the Butterworth, Chebyshev, elliptical, and Bessel type with almost any desired selectivity. The center frequency or cutoff frequency of the filter is set by the value of the clock frequency. This means that the filter can be tuned on the fly by varying the clock frequency.

A unique but sometimes undesirable characteristic of an SCF is that the output signal is really a stepped approximation of the input signal. Because of the switching action of the MOSFETs and the charging and discharging of the capacitors, the signal takes on a stepped digital form. The higher the clock frequency compared to the frequency of the input signal, the smaller this effect. The signal can be smoothed back into its original state by passing it through a simple RC low-pass filter whose cutoff frequency is set to just above the maximum signal frequency.

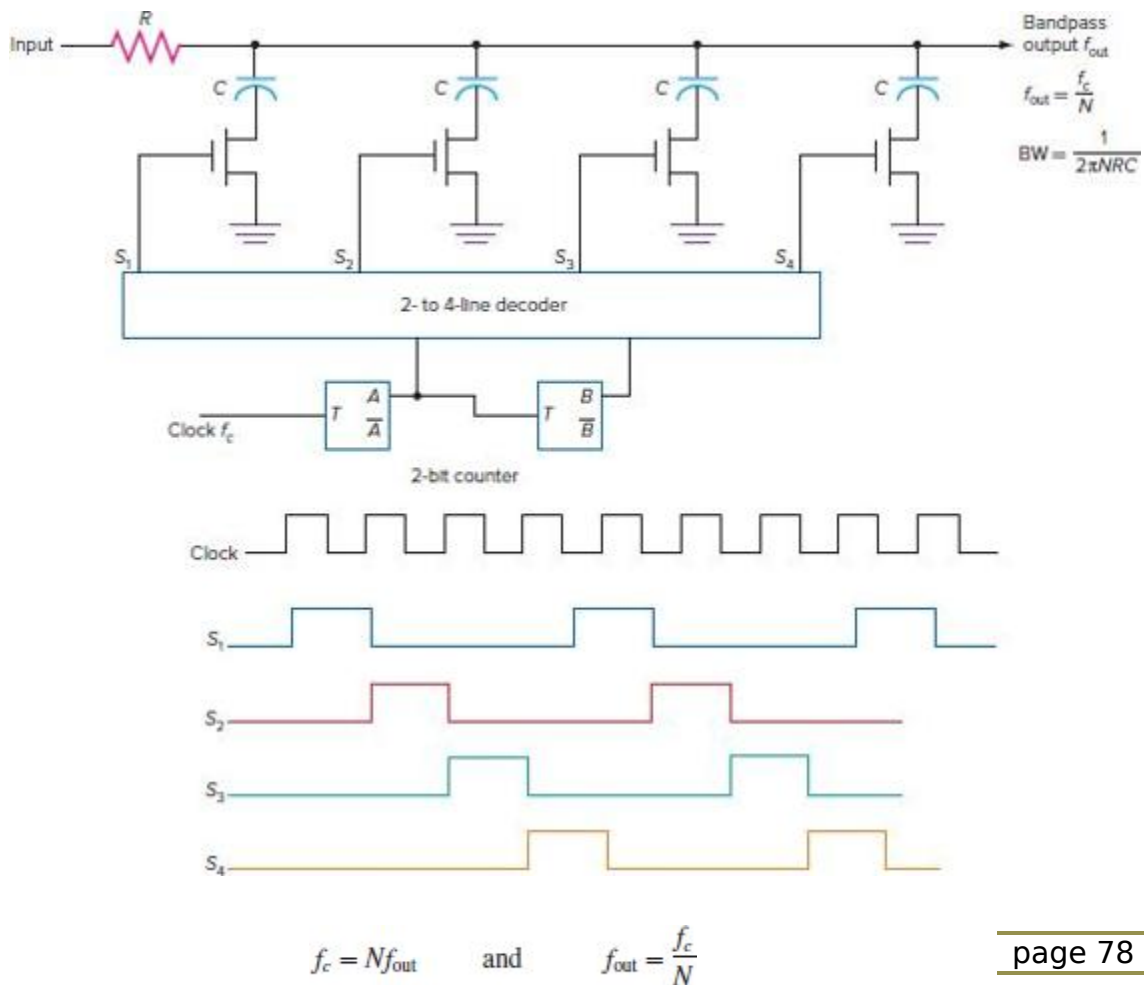
Various SCFs are available in IC form, both dedicated single-purpose or universal versions. Some models can be configured as Butterworth, Bessel, Elliptical, or other formats

with as many as eight poles. They can be used for filtering signals up to about 100 kHz. Manufacturers include Analog Devices (formerly Linear Technology), Maxim Integrated Products, and Texas Instruments. An example is the MF10 made by Texas Instruments. It is a universal SCF that can be set for low-pass, high-pass, bandpass, or band-reject operation. It can be used for center or cutoff frequencies up to about 20 kHz. The clock frequency is about 50 to 100 times the operating frequency. A wide variety of SCFs are available. Check the websites of the manufacturers mentioned earlier.

Commutating Filters. An interesting variation of a switched capacitor filter is the *commutating filter* shown in Fig. 2-52. It is made of discrete resistors and capacitors with MOSFET switches driven by a counter and decoder. The circuit appears to be a low-pass RC filter, but the switching action makes the circuit function as a bandpass filter. The operating frequency f_{out} is related to the clock frequency f_c and the number N of switches and capacitors used.

Commutating filter

Figure 2-52 A commutating SCF.



The bandwidth of the circuit is related to the RC values and the number of capacitors and switches used as follows:

$$BW = \frac{1}{2\pi NRC}$$

For the filter in Fig. 2-52, the bandwidth is $BW = 1/(8\pi RC)$.

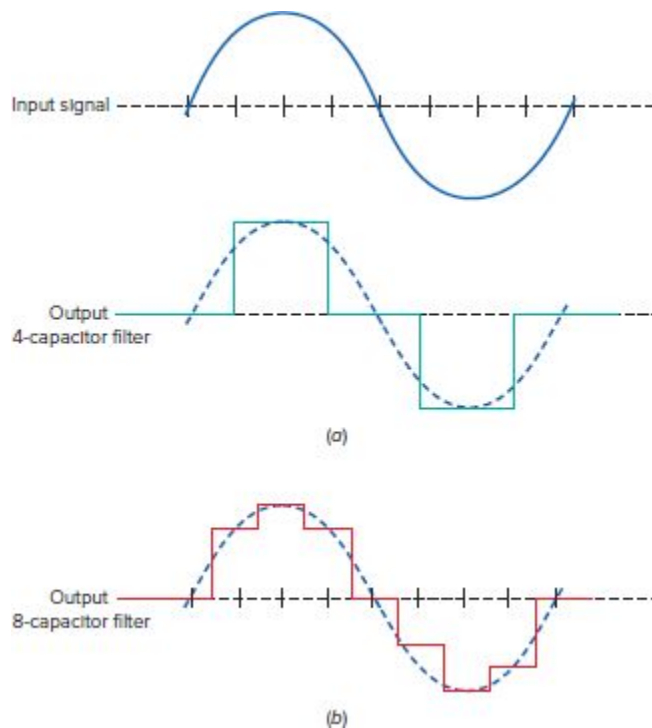
Very high Q and narrow bandwidth can be obtained, and varying the resistor value makes the bandwidth adjustable.

The operating waveforms in Fig. 2-52 show that each capacitor is switched on and off sequentially so that only one capacitor is connected to the circuit at a time. A sample of the input voltage is stored as a charge on each capacitor as it is connected to the input. The capacitor voltage is the

average of the voltage variation during the time the switch connects the capacitor to the circuit.

Fig. 2-53(a) shows typical input and output waveforms, assuming a sine wave input. The output is a stepped approximation of the input because of the sampling action of the switched capacitors. The steps are large, but their size can be reduced by simply using a greater number of switches and capacitors. Increasing the number of capacitors from four to eight, as in Fig. 2-53(b), makes the steps smaller, and thus the output more closely approximates the input. The steps can be eliminated or greatly minimized by passing the output through a simple RC low-pass filter whose cutoff is set to the center frequency value or slightly higher.

Figure 2-53 Input and output for commutating filter. (a) Four-capacitor filter. (b) Eight-capacitor filter.

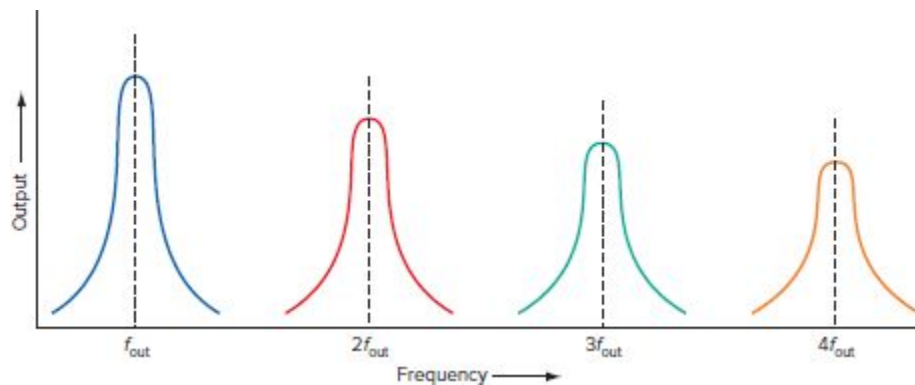


One characteristic of the commutating filter is that page 79 it is sensitive to the harmonics of the center

frequency for which it is designed. Signals whose frequency is some integer multiple of the center frequency of the filter are also passed by the filter, although at a somewhat lower amplitude. The response of the filter, called a *comb response*, is shown in Fig. 2-54. If such performance is undesirable, the higher frequencies can be eliminated with a conventional *RC* or *LC* low-pass filter connected to the output.

Comb response

Figure 2-54 Comb filter response of a commutating filter.



Digital Filters

A unique form of filter that is gradually replacing traditional analog filters is the digital filter. A digital filter uses digital signal processing techniques to duplicate the function of analog filters. DSP filters offer improved selectivity that cannot be duplicated by traditional filters.

A digital filter accepts an analog signal and digitizes it in an analog-to-digital converter (ADC). The digital representation of the analog signal is then processed with special filtering algorithms in a microcontroller with DSP capability or in a field-programmable gate array (FPGA).

Digital filters are discussed in more detail in Chap. 7.

2-4 Fourier Theory

The mathematical analysis of the modulation and multiplexing methods used in communication systems assumes sine wave carriers and information signals. This simplifies the analysis and makes operation predictable. However, in the real world, not all information signals are sinusoidal. Information signals are typically more complex voice and video signals that are essentially composites of sine waves of many frequencies and amplitudes. Information signals can take on an infinite number of shapes, including rectangular waves (i.e., digital pulses), triangular waves, sawtooth waves, and other nonsinusoidal forms. Such signals require that a non-sine wave approach be taken to determine the characteristics and performance of any communication circuit or system. One of the methods used to do this is *Fourier analysis*, which provides a means of accurately analyzing the content of most complex nonsinusoidal signals. Although Fourier analysis requires the use of calculus and advanced mathematical techniques beyond the scope of this text, its practical applications to communication electronics are relatively straightforward.

Fourier analysis

Basic Concepts

page 80

Fig. 2-55(a) shows a basic sine wave with its most important dimensions and the equation expressing it. A basic cosine wave is illustrated in Fig. 2-55(b). Note that the cosine wave has the same shape as a sine wave but leads the sine wave by 90° . A *harmonic* is a sine wave whose frequency is some integer multiple of a fundamental sine wave. For example, the third harmonic of a 2-kHz sine wave is a sine wave of 6

kHz. Fig. 2-56 shows the first four harmonics of a fundamental sine wave.

Harmonic

Figure 2-55 Sine and cosine waves.

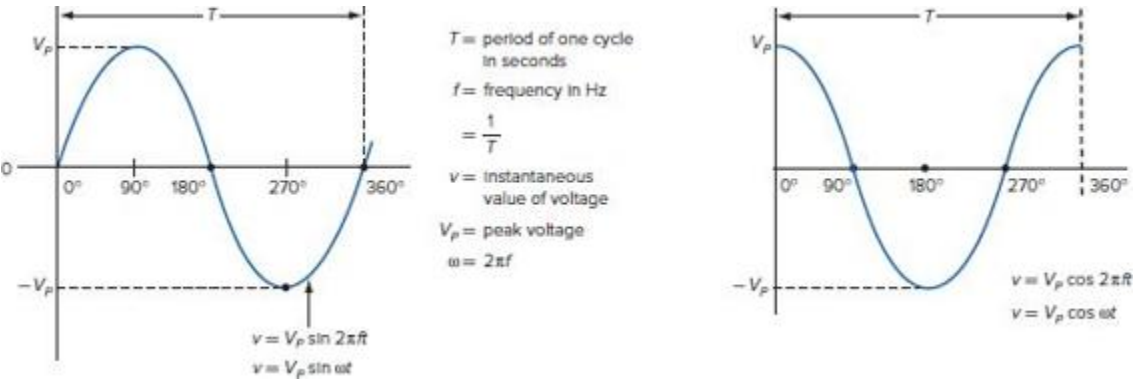
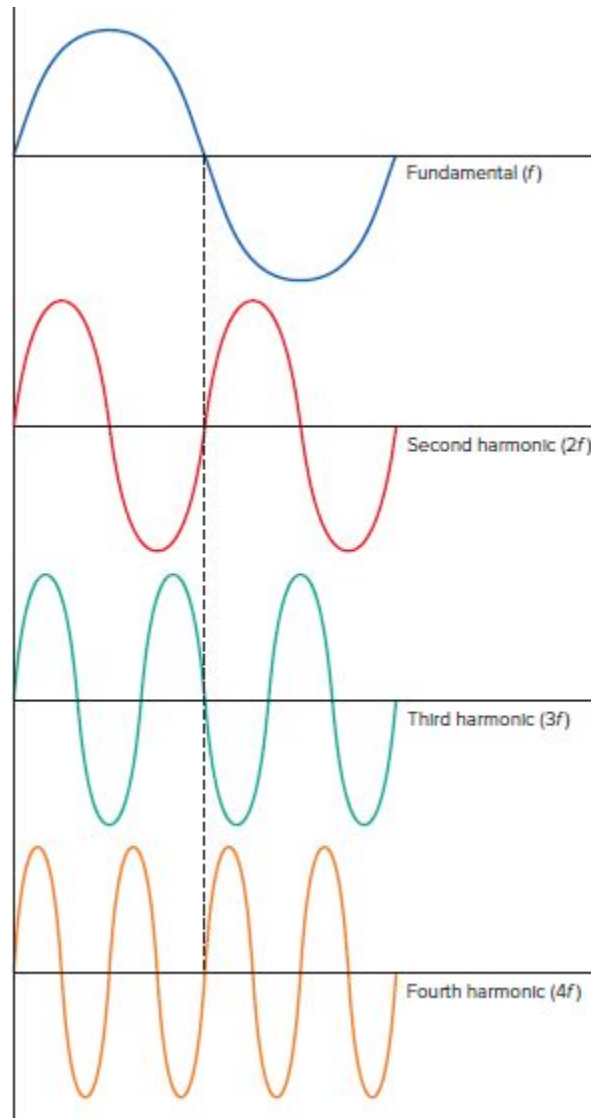


Figure 2-56 A sine wave and its harmonics.



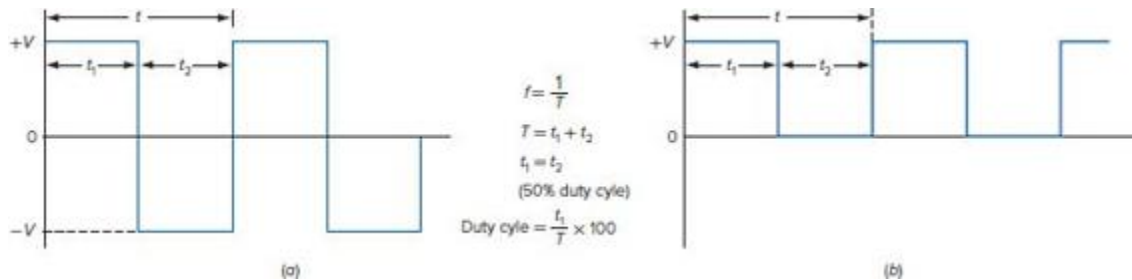
What the Fourier theory tells us is that we can take a nonsinusoidal waveform and break it down into individual harmonically related sine wave or cosine wave components. The classic example of this is a *square wave*, which is a rectangular signal with equal-duration positive and negative alternations. In the ac square wave in Fig. 2-57, this means that t_1 is equal to t_2 . Another way of saying this is that the square wave has a 50 percent *duty cycle* D , the ratio of the duration of the positive alteration t_1 to the period T expressed as a percentage:

Square wave

Duty cycle D

$$D = \frac{t_1}{T} \times 100$$

Figure 2-57 A square wave.



Fourier analysis tells us that a square wave is made up of a sine wave at the fundamental frequency of the square wave plus an infinite number of odd harmonics. For example, if the fundamental frequency of the square wave is 1 kHz, the square wave can be synthesized by adding the 1-kHz sine wave and harmonic sine waves of 3 kHz, 5 kHz, 7 kHz, 9 kHz, etc.

Fig. 2-58 shows how this is done. The sine waves must be of the correct amplitude and phase relationship to one another. The fundamental sine wave in this case has a value of 20 V peak to peak (a 10-V peak). When the sine wave values are added instantaneously, the result approaches a square wave. In Fig. 2-58(a), the fundamental and third harmonic are added. Note the shape of the composite wave with the third and fifth harmonics added, as in Fig. 2-58(b). The more higher harmonics that are added, the more the composite wave looks like a perfect square wave. Fig. 2-59 shows how the composite wave would look with 20 odd harmonics added to the fundamental. The results very closely approximate a square wave.

Figure 2-58 A square wave is made up of a fundamental sine wave and an infinite number of odd harmonics.

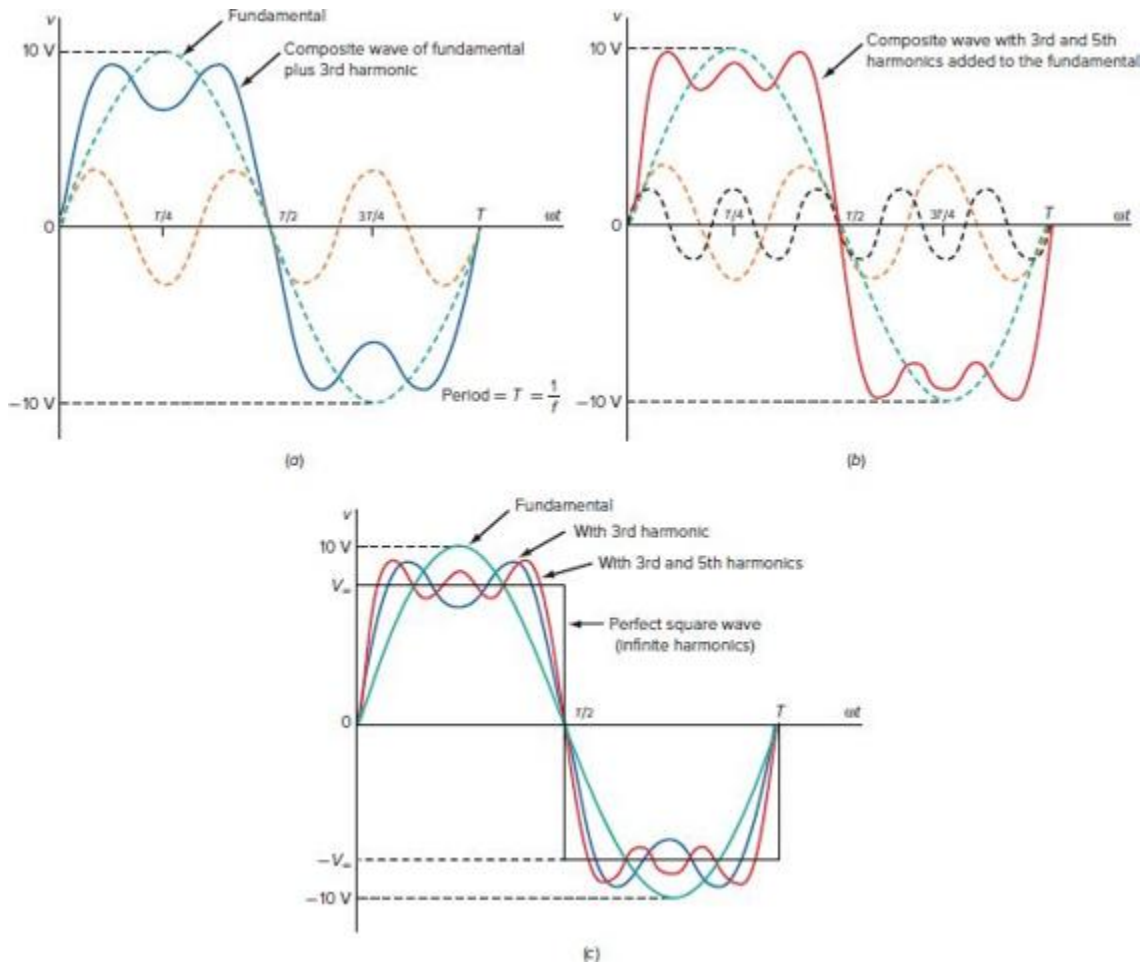


Figure 2-59 Square wave made up of 20 odd harmonics added to the fundamental.



The implication of this is that a square wave should be analyzed as a collection of harmonically related sine waves rather than a single square wave entity. This is confirmed by performing a Fourier mathematical analysis on the square wave. The result is the following equation, which expresses voltage as a function of time:

$$f(t) = \frac{4V}{\pi} \left[\sin 2\pi \left(\frac{1}{T} \right) t + \frac{1}{3} \sin 2\pi \left(\frac{3}{T} \right) t + \frac{1}{5} \sin 2\pi \left(\frac{5}{T} \right) t + \frac{1}{7} \sin 2\pi \left(\frac{7}{T} \right) t + \dots \right]$$

where the factor $\frac{4V}{\pi}$ is a multiplier for all sine terms page 81 and V is the square wave peak voltage. The first page 82 term is the fundamental sine wave, and the succeeding terms are the third, fifth, seventh, etc., harmonics. Note that the terms also have an amplitude factor. In this case, the amplitude is also a function of the harmonic. For example, the third harmonic has an amplitude that is one-third of the fundamental amplitude, and so on. The expression could be rewritten with $f = 1/T$. If the square wave is direct current rather than alternating current, as shown in Fig. 2-57(b), the Fourier expression has a dc component:

$$f(t) = \frac{V}{2} + \frac{4V}{\pi} \left(\sin 2\pi ft + \frac{1}{3} \sin 2\pi 3ft + \frac{1}{5} \sin 2\pi 5ft + \frac{1}{7} \sin 2\pi 7ft + \dots \right)$$

In this equation, $V/2$ is the dc component, the page 83 average value of the square wave. It is also the baseline upon which the fundamental and harmonic sine waves ride.

A general formula for the Fourier equation of a waveform is

$$f(t) = \frac{V}{2} + \frac{4V}{\pi} \sum_{n=1}^{\infty} (\sin 2\pi nft)$$

where n is odd. The dc component, if one is present in the waveform, is $V/2$.

By using calculus and other mathematical techniques, the waveform is defined, analyzed, and expressed as a summation of sine and/or cosine terms, as illustrated by the expression for the square wave above. Fig. 2-60 gives the Fourier expressions for some of the most common nonsinusoidal waveforms.

Example 2-26

An ac square wave has a peak voltage of 3 V and a frequency of 48 kHz. Find (a) the frequency of the fifth harmonic and (b) the rms value of the fifth harmonic. Use the formula in Fig. 2-60(a).

a. $5 \times 48 \text{ kHz} = 240 \text{ kHz}$

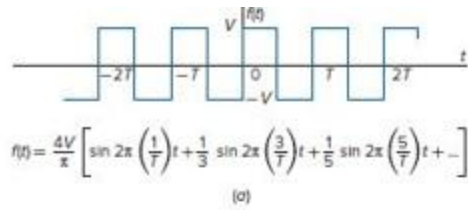
b. Isolate the expression for the fifth harmonic in the formula, which is $\frac{1}{5} \sin 2\pi(5/T)t$. Multiply by the amplitude factor $4V/\pi$. The peak value of the fifth harmonic V_p is

$$V_p = \frac{4V}{\pi} \left(\frac{1}{5} \right) = \frac{4(3)}{5\pi} = 0.76$$

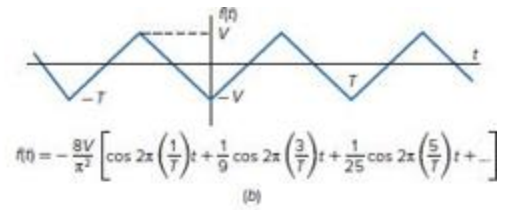
rms = 0.707 \times peak value

$$V_{\text{rms}} = 0.707V_p = 0.707(0.76) = 0.537 \text{ V}$$

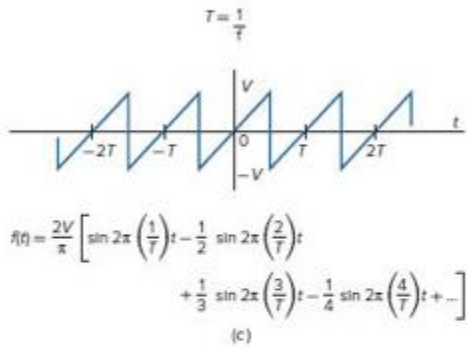
Figure 2-60 Common nonsinusoidal waves and their Fourier equations. (a) Square wave. (b) Triangle wave. (c) Sawtooth. (d) Half cosine wave. (e) Full cosine wave. (f) Rectangular pulse.



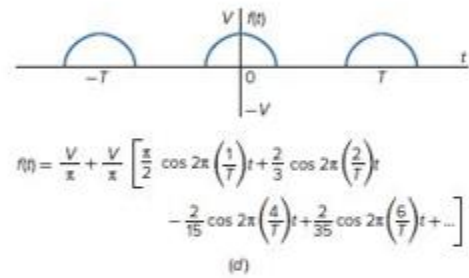
(a)



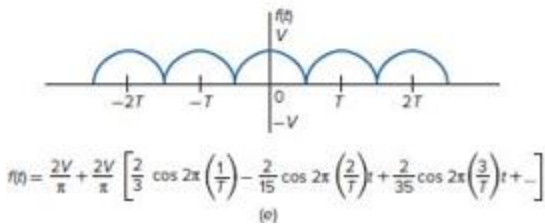
(b)



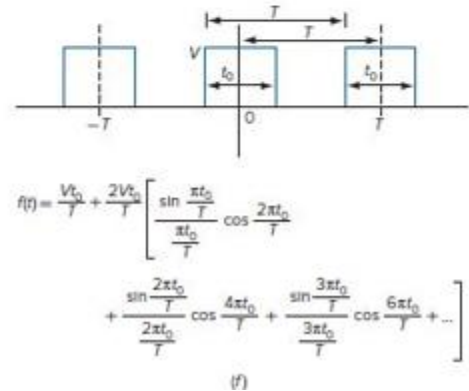
(c)



(d)



(e)



(f)

The triangular wave in Fig. 2-60(b) exhibits the fundamental and odd harmonics, but it is made up of cosine waves rather than sine waves. The sawtooth wave in Fig. 2-60(c) contains the fundamental plus all odd and even harmonics. Fig. 2-60(d) and (e) shows half sine pulses like those seen at the output of half and full wave rectifiers. Both have an average dc component, as would be expected. The half wave signal is made up of even harmonics only, whereas the full wave signal has both odd and even harmonics. Fig. 2-60(f) shows the Fourier expression for a dc square wave where the average dc component is Vt_0/T .

Time Domain Versus Frequency Domain

Most of the signals and waveforms that we discuss and analyze are expressed in the *time domain*. That is, they are variations of voltage, current, or power with respect to time. All the signals shown in the previous illustrations are examples of time-domain waveforms. Their mathematical expressions contain the variable t , indicating that they are a time-variant quantity.

Time domain

Fourier theory gives us a new and different way to express and illustrate complex signals. Here, complex signals containing many sine and/or cosine components are expressed as sine or cosine wave amplitudes at different frequencies. In other words, a graph of a particular signal is a plot of sine and/or cosine component amplitudes with respect to frequency.

A typical frequency-domain plot of the square page 84 wave is shown in Fig. 2-61(a). Note that the straight lines represent the sine wave amplitudes of the fundamental and harmonics, and these are plotted on a horizontal frequency axis. Such a frequency-domain plot can be made directly from the Fourier expression by simply using the frequencies of the fundamentals and harmonics and their amplitudes. Frequency-domain plots for some of the other common nonsinusoidal waves are also shown in Fig. 2-61. Note that the triangle wave in Fig. 2-61(c) is made up of the fundamental and odd harmonics. The third harmonic is shown as a line below the axis, which indicates a 180° phase shift in the cosine wave making it up.

Figure 2-61 The frequency-domain plots of common nonsinusoidal page 85 waves. (a) Square wave. (b) Sawtooth. (c) Triangle. (d) Half cosine

wave.

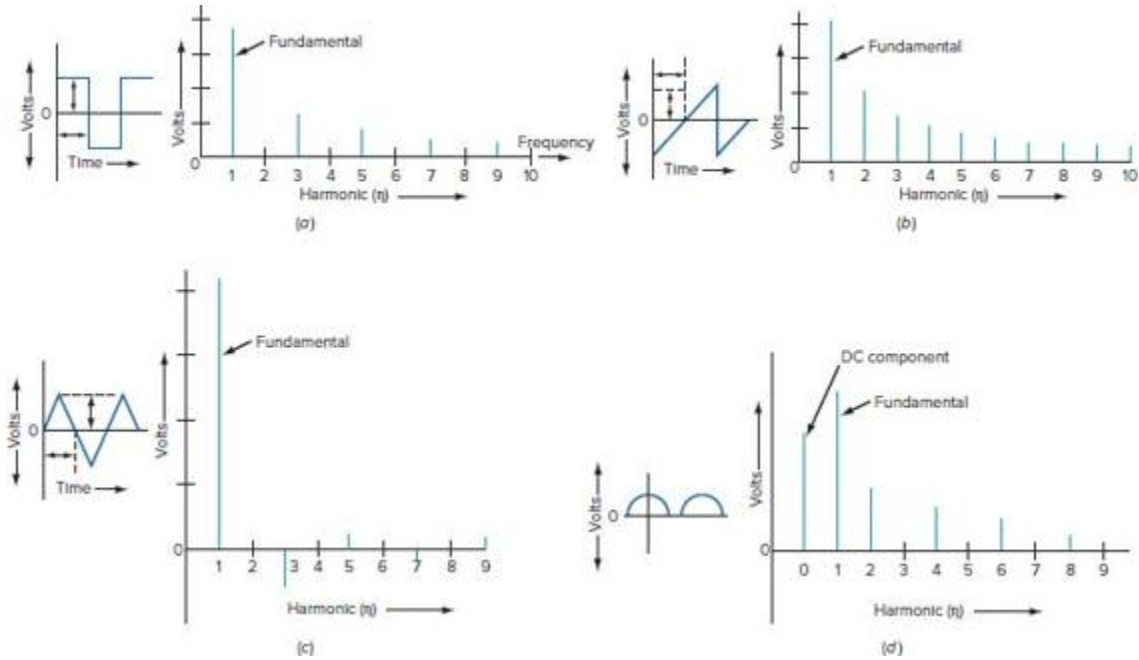
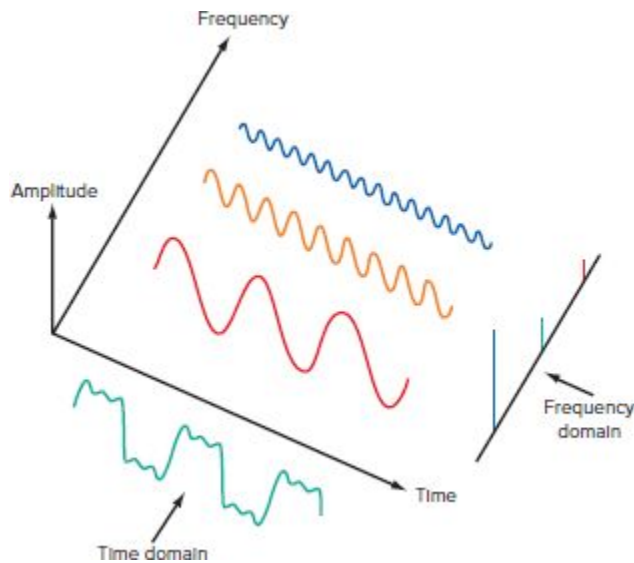


Fig. 2-62 shows how the time and frequency domains are related. The square wave discussed earlier is used as an example. The result is a three-axis three-dimensional view.

Figure 2-62 The relationship between time and frequency domains.



Signals and waveforms in communication applications are expressed by using both time-domain and frequency-domain plots, but in many cases the frequency-domain plot is far more useful. This is particularly true in the analysis of complex signal waveforms as well as the many modulation and multiplexing methods used in communication.

Test instruments for displaying signals in both time and frequency domains are readily available. You are already familiar with the oscilloscope, which displays the voltage amplitude of a signal with respect to a horizontal time axis.

The test instrument for producing a frequency-page 86 domain display is the *spectrum analyzer*. Like the oscilloscope, the spectrum analyzer uses a cathode-ray tube for display, but the horizontal sweep axis is calibrated in hertz and the vertical axis is calibrated in volts or power units or decibels.

Spectrum analyzer

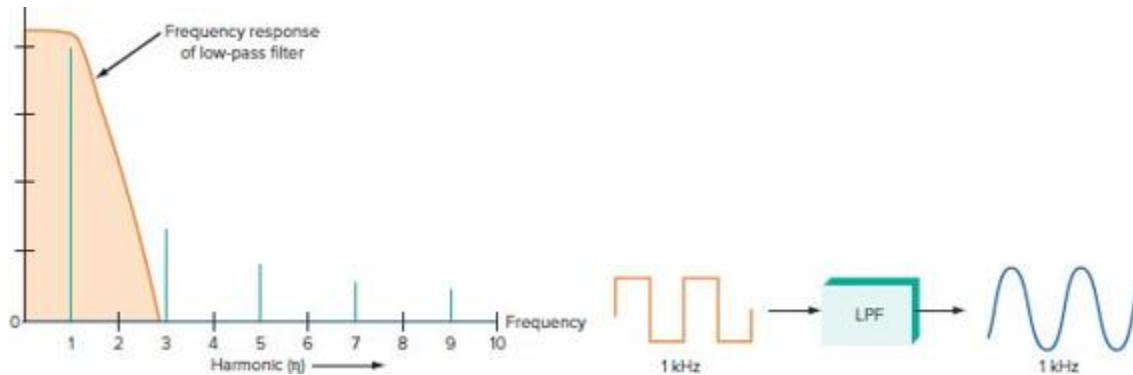
The Importance of Fourier Theory

Fourier analysis allows us to determine not only the sine wave components in any complex signal but also how much bandwidth a particular signal occupies. Although a sine or cosine wave at a single frequency theoretically occupies no bandwidth, complex signals obviously take up more spectrum space. For example, a 1-MHz square wave with harmonics up to the eleventh occupies a bandwidth of 11 MHz. If this signal is to pass unattenuated and undistorted, then all harmonics must be passed.

An example is shown in Fig. 2-63. If a 1-kHz square wave is passed through a low-pass filter with a cutoff frequency just above 1 kHz, all the harmonics beyond the third harmonic are greatly attenuated or, for the most part, filtered out completely. The result is that the output of the

low-pass filter is simply the fundamental sine wave at the square wave frequency.

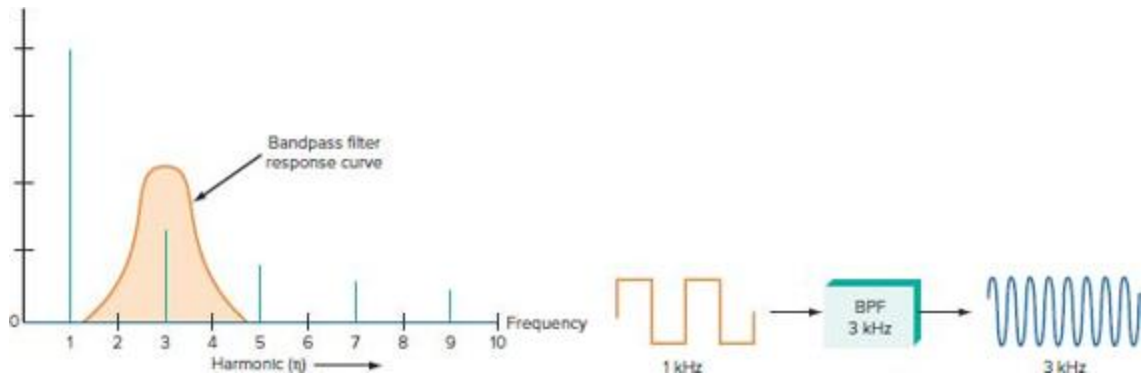
Figure 2-63 Converting a square wave to sine wave by filtering out all the harmonics.



If the low-pass filter were set to cut off at a frequency above the third harmonic, then the output of the filter would consist of a fundamental sine wave and the third harmonic. Such a waveshape was shown in Fig. 2-58(a). As you can see, when the higher harmonics are not all passed, the original signal is greatly distorted. This is why it is important for communication circuits and systems to have a bandwidth wide enough to accommodate all the harmonic components within the signal waveform to be processed.

Fig. 2-64 shows an example in which a 1-kHz square wave is passed through a bandpass filter set to the third harmonic, resulting in a 3-kHz sine wave output. In this case, the filter used is sharp enough to select out the desired component.

Figure 2-64 Selecting the third harmonic with a bandpass filter.



Pulse spectrum

Pulse Spectrum

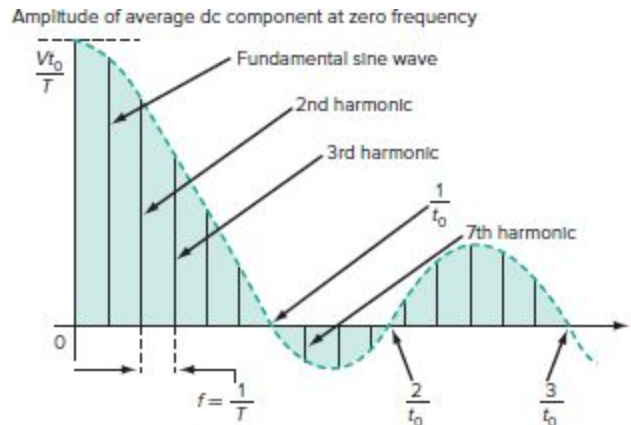
The Fourier analysis of binary pulses is especially useful in communication, for it gives a way to analyze the bandwidth needed to transmit such pulses. Although theoretically the system must pass all the harmonics in the pulses, in reality, relatively few must be passed to preserve the shape of the pulse. In addition, the pulse train in data communication rarely consists of square waves with a 50 percent duty cycle. Instead, the pulses are rectangular and exhibit varying duty cycles, from very low to very high. [The Fourier response of such pulses is given in Fig. 2-60(f).]

Look back at Fig. 2-60(f). The period of the pulse page 87 train is T , and the pulse width is t_0 . The duty cycle is t_0/T . The pulse train consists of dc pulses with an average dc value of Vt_0/T . In terms of Fourier analysis, the pulse train is made up of a fundamental and all even and odd harmonics. The special case of this waveform is where the duty cycle is 50 percent; in that case, all the even harmonics drop out. But with any other duty cycle, the waveform is made up of both odd and even harmonics. Since this is a series of dc pulses, the average dc value is Vt_0/T .

A frequency-domain graph of harmonic amplitudes plotted with respect to frequency is shown in Fig. 2-65. The

horizontal axis is frequency-plotted in increments of the pulse repetition frequency f , where $f = 1/T$ and T is the period. The first component is the average dc component at zero frequency Vt_0/T , where V is the peak voltage value of the pulse.

Figure 2-65 Frequency domain of a rectangular pulse train.



Now, note the amplitudes of the fundamental and harmonics. Remember that each vertical line represents the peak value of the sine wave components of the pulse train. Some of the higher harmonics are negative; that simply means that their phase is reversed.

The dashed line in Fig. 2-65, the outline of the peaks of the individual components, is what is known as the *envelope* of the frequency spectrum. The equation for the envelope curve has the general form $(\sin x)/x$, where $x = \frac{n\pi t_0}{T}$ and t_0 is the pulse width. This is known as the *sinc* function. In Fig. 2-65, the sinc function crosses the horizontal axis several times. These times can be computed and are indicated in the figure. Note that they are some multiple of $1/t_0$.

Envelope

Sinc function

The sinc function drawn on a frequency-domain page 88 curve is used in predicting the harmonic content of a pulse train and thus the bandwidth necessary to pass the wave. For example, in Fig. 2-65, as the frequency of the pulse train gets higher, the period T gets shorter and the spacing between the harmonics gets wider. This moves the curve out to the right. And as the pulse duration t_0 gets shorter, which means that the duty cycle gets shorter, the first zero crossing of the envelope moves farther to the right. The practical significance of this is that higher-frequency pulses with shorter pulse durations have more harmonics with greater amplitudes, and thus a wider bandwidth is needed to pass the wave with minimum distortion. For data communication applications, it is generally assumed that a bandwidth equal to the first zero crossing of the envelope is the minimum that is sufficient to pass enough harmonics for reasonable waveshape:

$$BW = \frac{1}{t_0}$$

Example 2-27

A dc pulse train like that in Fig. 2-60(f) has a peak voltage value of 5 V, a frequency of 4 MHz, and a duty cycle of 30 percent.

- a. What is the average dc value? [$V_{avg} = Vt_0/T$. Use the formula given in Fig. 2-60(f).]

$$\text{Duty cycle} = \frac{t_0}{T} = 30\% \quad \text{or} \quad 0.30$$

$$T = \frac{1}{f} = \frac{1}{4 \times 10^6} = 2.5 \times 10^{-7} \text{ s} = 250 \times 10^{-9} \text{ s}$$

$$T = 250 \text{ ns}$$

$$t_0 = \text{duty cycle} \times T = 0.3 \times 250 = 75 \text{ ns}$$

$$V_{\text{avg}} = \frac{V t_0}{T} = V \times \text{duty cycle} = 5 \times 0.3 = 1.5 \text{ V}$$

- b.** What is the minimum bandwidth necessary to pass this signal without excessive distortions?

$$\begin{aligned} \text{Minimum bandwidth BW} &= \frac{1}{t_0} = \frac{1}{75 \times 10^{-9}} \\ &= 0.013333 \times 10^9 = 13.333 \times 10^6 \\ &= 13.333 \text{ MHz} \end{aligned}$$

Most of the higher-amplitude harmonics and thus the most significant part of the signal power are contained within the larger area between zero frequency and the $1/t_0$ point on the curve.

Rise time

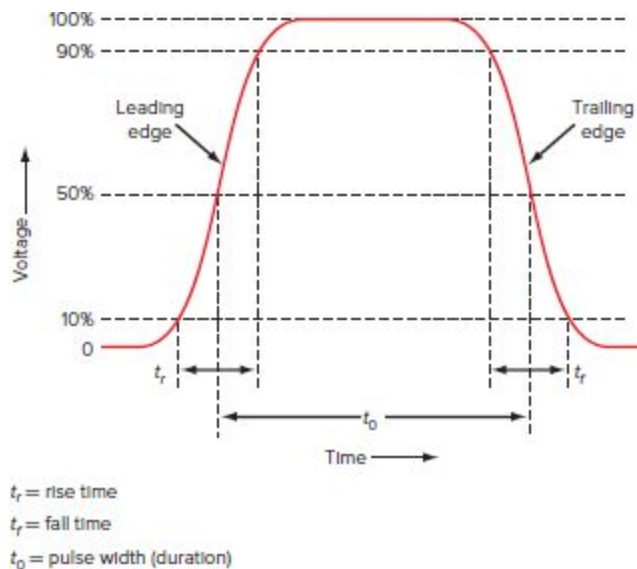
The Relationship Between Rise Time and Bandwidth

Because a rectangular wave such as a square wave theoretically contains an infinite number of harmonics, we can use a square wave as the basis for determining the bandwidth of a signal. If the processing circuit should pass all or an infinite number of harmonics, the rise and fall times of the square wave will be zero. As the bandwidth is decreased by rolling off or filtering out the higher frequencies, the higher harmonics are greatly attenuated. The effect this has on the square wave is that the rise and fall times of the waveform become finite and increase as

more and more of the higher harmonics are filtered out. The more restricted the bandwidth, the fewer the harmonics passed and the greater the rise and fall times. The ultimate restriction is where all the harmonics are filtered out, leaving only the fundamental sine wave (Fig. 2-63).

The concept of rise and fall times is illustrated in [page 89](#) Fig. 2-66. The rise time t_r is the time it takes the pulse voltage to rise from its 10 percent value to its 90 percent value. The fall time t_f is the time it takes the voltage to drop from the 90 percent value to the 10 percent value. Pulse width t_0 is usually measured at the 50 percent amplitude points on the leading (rise) and trailing (fall) edges of the pulse.

Figure 2-66 Rise and fall times of a pulse.



A simple mathematical expression relating the rise time of a rectangular wave and the bandwidth of a circuit required to pass the wave without distortion is

$$BW = \frac{0.35}{t_r}$$

Example 2-28

A pulse train has a rise time of 6 ns. What is the minimum bandwidth to pass this pulse train faithfully?

$$\text{BW} = \frac{0.35}{t_r} \quad t_r = 6 \text{ ns} = 0.006 \mu\text{s}$$
$$\text{Minimum BW} = \frac{0.35}{0.006} = 58.3 \text{ MHz}$$

This is the bandwidth of the circuit required to pass a signal containing the highest-frequency component in a square wave with a rise time of t_r . In this expression, the bandwidth is really the upper 3-dB down cutoff frequency of the circuit given in megahertz. The rise time of the output square wave is given in microseconds. For example, if the square wave output of an amplifier has a rise time of 10 ns ($0.01 \mu\text{s}$), the bandwidth of the circuit must be at least $\text{BW} = 0.35/0.01 = 35 \text{ MHz}$.

Rearranging the formula, you can calculate the rise time of an output signal from the circuit whose bandwidth is given: $t_r = 0.35/\text{BW}$. For example, a circuit with a 50-MHz bandwidth will pass a square wave with a minimum rise time of $t_r = 0.35/50 = 0.007 \mu\text{s} = 7 \text{ ns}$.

This simple relationship permits you to quickly determine the approximate bandwidth of a circuit needed to pass a rectangular waveform with a given rise time. This relationship is widely used to express the frequency response of the vertical amplifier in an oscilloscope. Oscilloscope specifications often give only a rise time figure for the vertical amplifier. An oscilloscope with a 60-MHz bandwidth would pass rectangular waveforms with rise times as short as $t_r = 0.35/60 = 0.00583 \mu\text{s} = 5.83 \text{ ns}$.

Example 2-29

A circuit has a bandwidth of 200 kHz. What is the fastest rise time this circuit will pass?

$$t_r(\mu\text{s}) = \frac{0.35}{f(\text{MHz})} \quad \text{and} \quad 200 \text{ kHz} = 0.2 \text{ MHz}$$

$$t_r = \frac{0.35}{0.2} = 1.75 \mu\text{s}$$

Similarly, an oscilloscope whose vertical amplifier is rated at 2 ns (0.002 μ s) has a bandwidth or upper cutoff frequency of $\text{BW} = 0.35/0.002 = 175 \text{ MHz}$. What this means is that the vertical amplifier of the oscilloscope has a bandwidth adequate to pass a sufficient number of harmonics so that the resulting rectangular wave has a rise time of 2 ns. This does not indicate the rise time of the input square wave itself. To take this into account, you use the formula

$$t_r = 1.1\sqrt{t_{ri}^2 + t_{ra}^2}$$

where t_{ri} = rise time of input square wave

t_{ra} = rise time of amplifier

t_r = composite rise time of amplifier output

The expression can be expanded to include the effect of additional stages of amplification by simply adding the squares of the individual rise times to the above expression before taking the square root of it.

Example 2-30

An oscilloscope has a bandwidth of 60 MHz. The input square wave has a rise time of 15 ns. What is the rise time of the displayed square wave?

$$\begin{aligned}
 t_{ra} \text{ (oscilloscope)} &= \frac{0.35}{60} = 0.005833 \mu\text{s} = 5.833 \text{ ns} \\
 t_{ri} &= 15 \text{ ns} \\
 t_{ra} \text{ (composite)} &= 1.1 \sqrt{t_{ri}^2 + t_{ra}^2} = 1.1 \sqrt{(15)^2 + (5.833)^2} \\
 &= 1.1 \sqrt{259} = 17.7 \text{ ns}
 \end{aligned}$$

Keep in mind that the bandwidth or upper cut-off frequency derived from the rise time formula on the previous page passes only the harmonics needed to support the rise time. There are harmonics beyond this bandwidth that also contribute to unwanted emissions and noise.

GOOD TO KNOW

An often used “rule of thumb” is that a square wave will be adequately displayed as a square wave on an oscilloscope (scope) if the vertical bandwidth of the scope is at least five times the frequency of the square wave. That is like saying that if the vertical amplifier has the bandwidth to pass the fifth harmonic of the square wave, what you will see on the scope is essentially a good square wave. A narrower bandwidth will filter out the upper harmonics thereby rounding the square wave into a more sine wave-like signal.

Example:

A typical commercial scope has a vertical bandwidth of 100 MHz. What is the highest frequency square wave that can be adequately displayed?

Solution:

$$\frac{100 \text{ MHz}}{5} = 20 \text{ MHz}$$

The spectrum analyzer shows a frequency-domain plot of electronic signals. It is the key test instrument in designing, analyzing, and troubleshooting communication equipment.



Courtesy Tektronix

CHAPTER REVIEW

Online Activity

2-1 Exploring Filter Options

Objective: Use online tools to design practical filters.

Procedure: Designing filters used to be a challenging and difficult process. It still is today, but much of the drudgery of filter design has been eliminated by online programs that design the filter for you. Here are some options to explore.

1. Go to the Texas Instruments' website and search for the TI Application Report SLOA093. Print this document for use later. What type of filters are covered in this document?

2. Using the procedures described in the Application Report, design a bandpass filter for 70 kHz. What is its bandwidth?
3. Go to the websites listed below. What type of filters do these online tools cover?
4. Using the online tools, design a seventh-order low-pass filter for 49 MHz with an impedance of 75 Ω . Validate your design using two or more of the tools.
 - <https://www-users.cs.york.ac.uk/~fisher/lcfilter/>
 - <http://www.rfwireless-world.com/calculators/RF-filter-calculator.html>
 - rf-tools.com/lcfilter
 - www.wa4dsy.net/filter/filterdesign.html
 - https://www.coilcraft.com/apps/lc_filter_designer/lc_filter_designer.cfm

Questions:

1. Looking at the two designs you completed above, look at the filter R , L , and C values. What problem do you perceive in implementing these filters?
2. What is the most popular filter mode (Chebyshev, elliptical, etc.) available in the design tools you used?

Questions

1. What happens to capacitive reactance as the frequency of operation increases?
2. As frequency decreases, how does the reactance of a coil vary?
3. What is skin effect, and how does it affect the Q of a coil?
4. What happens to a wire when a ferrite bead is placed around it?

5. What is the name given to the widely used coil form that is shaped like a doughnut?
6. Describe the current and impedance in a series *RLC* circuit at resonance.
7. Describe the current and impedance in a parallel *RLC* circuit at resonance.
8. State in your own words the relationship between *Q* and the bandwidth of a tuned circuit.
9. What kind of filter is used to select a single signal frequency from many signals?
10. What kind of filter would you use to get rid of an annoying 120-Hz hum?
11. What does selectivity mean?
12. State the Fourier theory in your own words.
13. Define the terms *time domain* and *frequency domain*.
14. Write the first four odd harmonics of 800 Hz.
15. What waveform is made up of even harmonics only? What waveform is made up of odd harmonics only?
16. Why is a nonsinusoidal signal distorted when it passes through a filter?
17. What is the most common application of SAW and BAW filters?

Problems

1. What is the gain of an amplifier with an output of 1.5 V and an input of 30 μ V? \blacklozenge
2. What is the attenuation of a voltage divider like that in Fig. 2-3, where R_1 is 3.3 k Ω and R_2 is 5.1 k Ω ?
3. What is the overall gain or attenuation of the combination formed by cascading the circuits described in Problems 1 and 2? \blacklozenge
4. Three amplifiers with gains of 15, 22, and 7 are cascaded; the input voltage is 120 μ V. What are the overall gain and the output voltages of each stage?

5. A piece of communication equipment has two stages of amplification with gains of 40 and 60 and two loss stages with attenuation factors of 0.03 and 0.075. The output voltage is 2.2 V. What are the overall gain (or attenuation) and the input voltage? ♦
6. Find the voltage gain or attenuation, in page 93
decibels, for each of the circuits described in Problems 1 through 5.
7. A power amplifier has an output of 200 W and an input of 8 W. What is the power gain in decibels? ♦
8. A power amplifier has a gain of 55 dB. The input power is 600 mW. What is the output power?
9. An amplifier has an output of 5 W. What is its gain in dBm? ♦
10. A communication system has five stages, with gains and attenuations of 12, -45, 68, -31, and 9 dB. What is the overall gain?
11. What is the reactance of a 7-pF capacitor at 2 GHz?
12. What value of capacitance is required to produce 50 Ω of reactance at 450 MHz?
13. Calculate the inductive reactance of a 0.9- μ H coil at 800 MHz.
14. At what frequency will a 2- μ H inductor have a reactance of 300 Ω ?
15. A 2.5- μ H inductor has a resistance of 23 Ω . At a frequency of 35 MHz, what is its Q ?
16. What is the resonant frequency of a 0.55- μ H coil with a capacitance of 22 pF?
17. What is the value of inductance that will resonate with an 80-pF capacitor at 18 MHz?
18. What is the bandwidth of a parallel resonant circuit that has an inductance of 33 μ H with a resistance of 14 Ω and a capacitance of 48 pF?
19. A series resonant circuit has upper and lower cutoff frequencies of 72.9 and 70.5 MHz. What is its

bandwidth?

20. A resonant circuit has a peak output voltage of 4.5 mV. What is the voltage output at the upper and lower cutoff frequencies?
21. What circuit Q is required to give a bandwidth of 36 MHz at a frequency of 4 GHz?
22. Find the impedance of a parallel resonant circuit with $L = 60 \mu\text{H}$, $R_w = 7 \Omega$, and $C = 22 \text{ pF}$.
23. Write the first four terms of the Fourier equation of a sawtooth wave that has a peak-to-peak amplitude of 5 V and a frequency of 100 kHz.
24. An oscilloscope has a rise time of 8 ns. What is the highest-frequency sine wave that the scope can display?
25. A low-pass filter has a cutoff frequency of 24 MHz. What is the fastest rise time that a rectangular wave that will pass through the filter can have?

◆ *Answers to Selected Problems follow Chap. 23.*

Critical Thinking

1. Explain how capacitance and inductance can exist in a circuit without lumped capacitors and inductor components being present.
2. How can the voltage across the coil or capacitor in a series resonant circuit be greater than the source voltage at resonance?
3. What type of filter would you use to prevent the harmonics generated by a transmitter from reaching the antenna?
4. What is the minimum oscilloscope vertical bandwidth needed to display a 2.5-GHz square wave?
5. Explain why it is possible to reduce the effective Q of a parallel resonant circuit by connecting a resistor in parallel with it.

- 6.** A parallel resonant circuit has an inductance of 800 nH, a winding resistance of 3 Ω , and a capacitance of 15 pF. Calculate (a) resonant frequency, (b) Q , (c) bandwidth, (d) impedance at resonance.
- 7.** For the previous circuit, what would the bandwidth be if you connected a 33-k Ω resistor in parallel with the tuned circuit?
- 8.** What value of capacitor would you need to produce a high-pass filter with a cutoff frequency of 48 kHz with a resistor value of 2.2 k Ω ?
- 9.** What is the minimum bandwidth needed to pass a periodic pulse train whose frequency is 28.8 kHz and duty cycle is 20 percent? 50 percent?
- 10.** Refer to Fig. 2-60. Examine the various waveforms and Fourier expressions. What circuit do you think might make a good but simple frequency doubler?

Amplitude Modulation Fundamentals

In the modulation process, the baseband voice, video, or digital signal modifies another, higher-frequency signal called the *carrier*, which is usually a sine wave. A sine wave carrier can be modified by the intelligence signal through amplitude modulation, frequency modulation, or phase modulation. The focus of this chapter is *amplitude modulation (AM)*.

Carrier

Amplitude modulation (AM)

Objectives

After completing this chapter, you will be able to:

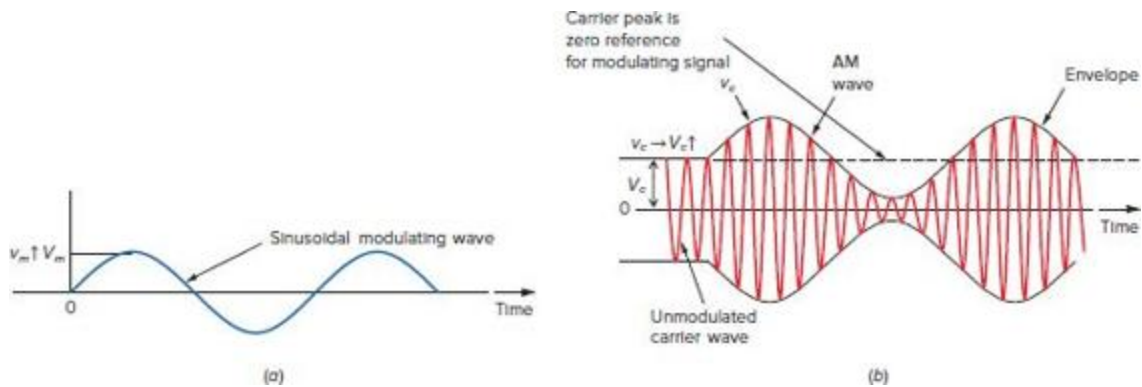
- Calculate the modulation index and percentage of modulation of an AM signal, given the amplitudes of the carrier and modulating signals.
- Define overmodulation and explain how to alleviate its effects.
- Explain how the power in an AM signal is distributed between the carrier and the sideband and then compute the carrier and sideband powers, given the percentage of modulation.

- Compute sideband frequencies, given carrier and modulating signal frequencies.
- Compare time-domain, frequency-domain, and phasor representations of an AM signal.
- Explain what is meant by the terms *DSB* and *SSB* and state the main advantages of an SSB signal over a conventional AM signal.
- Calculate peak envelope power (PEP), given signal voltages and load impedances.
- Name five ways that AM is still used today.

3-1 AM Concepts

As the name suggests, in AM, the information signal varies the amplitude of the carrier sine wave. The instantaneous value of the carrier amplitude changes in accordance with the amplitude and frequency variations of the modulating signal. Fig. 3-1 shows a single-frequency sine wave intelligence signal modulating a higher-frequency carrier. The carrier frequency remains constant during the modulation process, but its amplitude varies in accordance with the modulating signal. An increase in the amplitude of the modulating signal causes the amplitude of the carrier to increase. Both the positive and negative peaks of the carrier wave vary with the modulating signal. An increase or a decrease in the amplitude of the modulating signal causes a corresponding increase or decrease in both the positive and negative peaks of the carrier amplitude.

Figure 3-1 Amplitude modulation. (a) The modulating or information signal. (b) The modulated carrier.

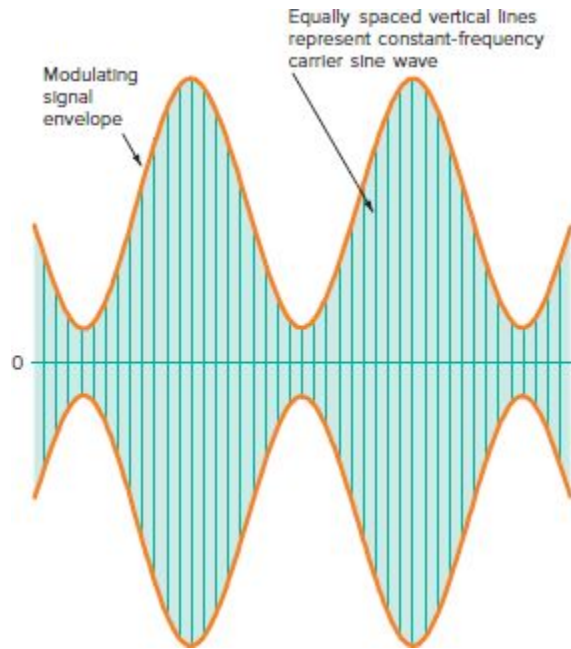


An imaginary line connecting the positive peaks and negative peaks of the carrier waveform (the dashed line in Fig. 3-1) gives the exact shape of the modulating information signal. This imaginary line on the carrier waveform is known as the *envelope*.

Envelope

Because complex waveforms such as that shown in Fig. 3-1 are difficult to draw, they are often simplified by representing the high-frequency carrier wave as many equally spaced vertical lines whose amplitudes vary in accordance with a modulating signal, as in Fig. 3-2. This method of representation is used throughout this book.

Figure 3-2 A simplified method of representing an AM high-frequency sine wave.



The signals illustrated in Figs. 3-1 and 3-2 show the variation of the carrier amplitude with respect to time and are said to be in the time domain. Time-domain signals—voltage or current variations that occur over time—are displayed on the screen of an oscilloscope.

Using trigonometric functions, we can express the sine wave carrier with the simple expression

$$v_c = V_c \sin 2\pi f_c t$$

In this expression, v_c represents the instantaneous value of the carrier sine wave voltage at some specific time in the cycle; V_c represents the peak value of the constant unmodulated carrier sine wave as measured between zero and the maximum amplitude of either the positive-going or the negative-going alternations (Fig. 3-1); f_c is the frequency of the carrier sine wave; and t is a particular point in time during the carrier cycle.

A sine wave modulating signal can be expressed with a similar formula

$$v_m = V_m \sin 2\pi f_m t$$

where v_m = instantaneous value of information signal
 V_m = peak amplitude of information signal
 f_m = frequency of modulating signal

In Fig. 3-1, the modulating signal uses the peak page 96 value of the carrier rather than zero as its reference point. The envelope of the modulating signal varies above and below the peak carrier amplitude. That is, the zero reference line of the modulating signal coincides with the peak value of the unmodulated carrier. Because of this, the relative amplitudes of the carrier and modulating signal are important. In general, the amplitude of the modulating signal should be less than the amplitude of the carrier. When the amplitude of the modulating signal is greater than the amplitude of the carrier, distortion will occur, causing incorrect information to be transmitted. In amplitude modulation, it is particularly important that the peak value of the modulating signal be less than the peak value of the carrier. Mathematically,

$$V_m < V_c$$

GOOD TO KNOW

In this text, radian measure will be used for all angles unless otherwise indicated. One radian is approximately 57.3° .

Values for the carrier signal and the modulating signal can be used in a formula to express the complete modulated wave. First, keep in mind that the peak value of the carrier is the reference point for the modulating signal; the value of the modulating signal is added to or subtracted from the peak value of the carrier. The instantaneous value of either the top or the bottom voltage envelope v_1 can be computed by using the equation

$$v_1 = V_c + v_m = V_c + V_m \sin 2\pi f_m t$$

which expresses the fact that the instantaneous value of the modulating signal algebraically adds to the peak value of the carrier. Thus, we can write the instantaneous value of the complete modulated wave v_2 by substituting v_1 for the peak value of carrier voltage V_c as follows:

$$v_2 = v_1 \sin 2\pi f_c t$$

GOOD TO KNOW

If the amplitude of the modulating signal is greater than the amplitude of the carrier, distortion will occur.

Now substituting the previously derived expression for v_1 and expanding, we get the following:

$$v_2 = (V_c + V_m \sin 2\pi f_m t) \sin 2\pi f_c t = V_c \sin 2\pi f_c t + (V_m \sin 2\pi f_m t) (\sin 2\pi f_c t)$$

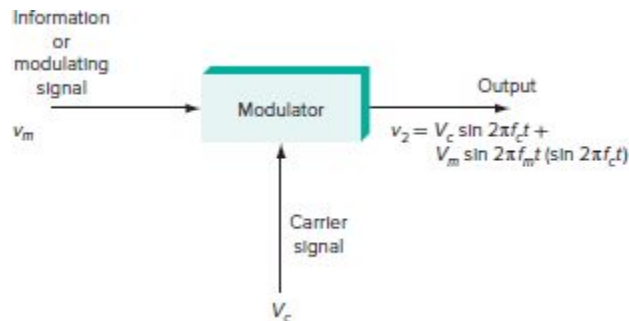
where v_2 is the instantaneous value of the AM wave page 97 (or v_{AM}), $V_c \sin 2\pi f_c t$ is the carrier waveform, and $(V_m \sin 2\pi f_m t) (\sin 2\pi f_c t)$ is the carrier waveform multiplied by the modulating signal waveform. It is the second part of the expression that is characteristic of AM. A circuit must be able to produce mathematical multiplication of the carrier and modulating signals in order for AM to occur. The AM wave is the product of the carrier and modulating signals.

The circuit used for producing AM is called a *modulator*. Its two inputs, the carrier and the modulating signal, and the resulting outputs are shown in Fig. 3-3. Amplitude modulators compute the product of the carrier and modulating signals. Circuits that compute the product of two analog signals are also known as analog multipliers, mixers, converters, product detectors, and phase detectors. A circuit that changes a lower-frequency baseband or intelligence signal to a higher-frequency signal is usually called a modulator. A circuit used to recover the original intelligence

signal from an AM wave is known as a detector or demodulator. Mixing and detection applications are discussed in detail in later chapters.

Modulator

Figure 3-3 Amplitude modulator showing input and output signals.



3-2 Modulation Index and Percentage of Modulation

As stated previously, for undistorted AM to occur, the modulating signal voltage V_m must be less than the carrier voltage V_c . Therefore, the relationship between the amplitude of the modulating signal and the amplitude of the carrier signal is important. This relationship, known as the *modulation index* m (also called the modulating factor or coefficient, or the degree of modulation), is the ratio

Modulation index m

$$m = \frac{V_m}{V_c}$$

These are the peak values of the signals, and the carrier voltage is the unmodulated value.

Multiplying the modulation index by 100 gives the *percentage of modulation*. For example, if the carrier voltage is 9 V and the modulating signal voltage is 7.5 V,

the modulation factor is 0.8333 and the percentage of modulation is $0.833 \times 100 = 83.33$.

Percentage of modulation

Overmodulation and Distortion

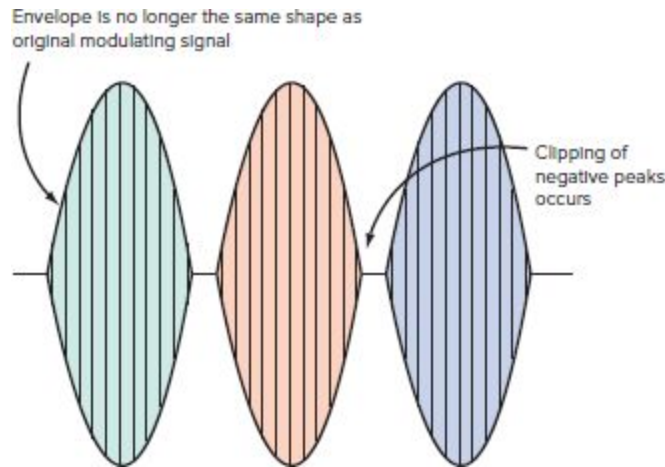
The modulation index should be a number between 0 and 1. If the amplitude of the modulating voltage is higher than the carrier voltage, m will be greater than 1, causing *distortion* of the modulated waveform. If the distortion is great enough, the intelligence signal becomes unintelligible. Distortion of voice transmissions produces garbled, harsh, or unnatural sounds in the speaker.

Distortion

Simple distortion is illustrated in Fig. 3-4. Here a page 98 sine wave information signal is modulating a sine wave carrier, but the modulating voltage is much greater than the carrier voltage, resulting in a condition called *overmodulation*. As you can see, the waveform is flattened at the zero line. The received signal will produce an output waveform in the shape of the envelope, which in this case is a sine wave whose negative peaks have been clipped off. If the amplitude of the modulating signal is less than the carrier amplitude, no distortion will occur. The ideal condition for AM is when $V_m = V_c$, or $m = 1$, which gives 100 percent modulation. This results in the greatest output power at the transmitter and the greatest output voltage at the receiver, with no distortion.

Overmodulation

Figure 3-4 Distortion of the envelope caused by overmodulation where the modulating signal amplitude V_m is greater than the carrier signal V_c .



GOOD TO KNOW

Distortion caused by overmodulation also produces adjacent channel interference.

Preventing overmodulation is tricky. For example, at different times during voice transmission voices will go from low amplitude to high amplitude. Normally, the amplitude of the modulating signal is adjusted so that only the voice peaks produce 100 percent modulation. This prevents overmodulation and distortion. Automatic circuits called *compression circuits* solve this problem by amplifying the lower-level signals and suppressing or compressing the higher-level signals. The result is a higher average power output level without overmodulation.

Compression circuit

Distortion caused by overmodulation also produces adjacent channel interference. Distortion produces a nonsinusoidal information signal. According to Fourier theory, any nonsinusoidal signal can be treated as a fundamental sine wave at the frequency of the information signal plus harmonics. Obviously, these harmonics also modulate the carrier and can cause interference with other signals on channels adjacent to the carrier.

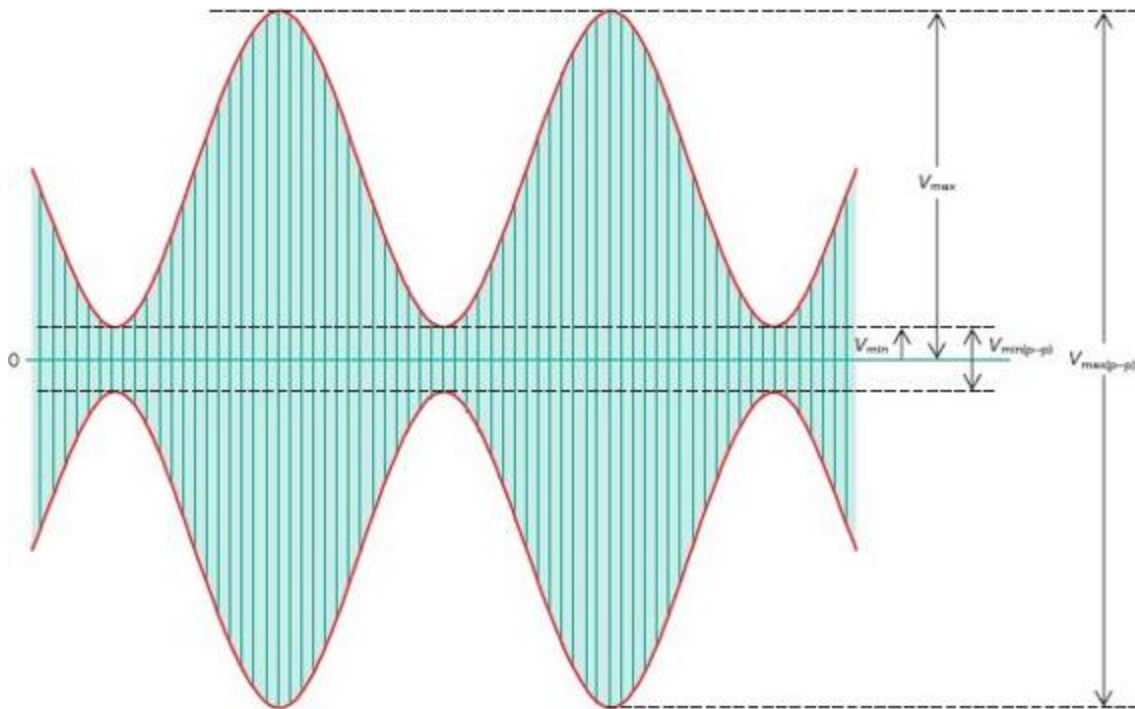
Percentage of Modulation

The modulation index can be determined by measuring the actual values of the modulation voltage and the carrier voltage and computing the ratio. However, it is more common to compute the modulation index from measurements taken on the composite modulated wave itself. When the AM signal is displayed on an oscilloscope, the modulation index can be computed from V_{\max} and V_{\min} , as shown in Fig. 3-5. The peak value of the modulating signal v_m is one-half the difference of the peak and trough values:

$$V_m = \frac{V_{\max} - V_{\min}}{2}$$

page 99

Figure 3-5 An AM wave showing peaks (V_{\max}) and troughs (V_{\min}).



As shown in Fig. 3-5, V_{\max} is the peak value of the signal during modulation, and V_{\min} is the lowest value, or trough, of the modulated wave. The V_m is one-half the peak-to-peak value of the AM signal, or $V_{\max(p-p)}/2$. Subtracting V_{\min} from V_{\max}

produces the peak-to-peak value of the modulating signal. One-half of that, of course, is simply the peak value.

The peak value of the carrier signal V_c is the average of the V_{\max} and V_{\min} values:

$$V_c = \frac{V_{\max} + V_{\min}}{2}$$

The modulation index is

$$m = \frac{V_{\max} - V_{\min}}{V_{\max} + V_{\min}}$$

The values for $V_{\max(p-p)}$ and $V_{\min(p-p)}$ can be read directly from an oscilloscope screen and plugged directly into the formula to compute the modulation index.

The amount, or depth, of AM is more commonly expressed as the percentage of modulation rather than as a fractional value. In Example 3-1, the percentage of modulation is $100 \times m$, or 66.2 percent. The maximum amount of modulation without signal distortion, of course, is 100 percent, where V_c and V_m are equal. At this time, $V_{\min} = 0$ and $V_{\max} = 2V_m$, where V_m is the peak value of the modulating signal.

Example 3-1

Suppose that on an AM signal, the $V_{\max(p-p)}$ value read from the graticule on the oscilloscope screen is 5.9 divisions and $V_{\min(p-p)}$ is 1.2 divisions.

- a. What is the modulation index?

$$m = \frac{V_{\max} - V_{\min}}{V_{\max} + V_{\min}} = \frac{5.9 - 1.2}{5.9 + 1.2} = \frac{4.7}{7.1} = 0.662$$

- b. Calculate V_c , V_m , and m if the vertical scale is 2 V per division. (*Hint:* Sketch the signal.)

$$V_c = \frac{V_{\max} + V_{\min}}{2} = \frac{5.9 + 1.2}{2} = \frac{7.1}{2} = 3.55 @ \frac{2 \text{ V}}{\text{div}}$$

$$V_c = 3.55 \times 2 \text{ V} = 7.1 \text{ V}$$

$$V_m = \frac{V_{\max} - V_{\min}}{2} = \frac{5.9 - 1.2}{2} = \frac{4.7}{2}$$

$$= 2.35 @ \frac{2 \text{ V}}{\text{div}}$$

$$V_m = 2.35 \times 2 \text{ V} = 4.7 \text{ V}$$

$$m = \frac{V_m}{V_c} = \frac{4.7}{7.1} = 0.662$$

3-3 Sidebands and the Frequency Domain

Whenever a carrier is modulated by an information signal, new signals at different frequencies are generated as part of the process. These new frequencies, which are called *side frequencies*, or *sidebands*, occur in the frequency spectrum directly above and directly below the carrier frequency. More specifically, the sidebands occur at frequencies that are the sum and difference of the carrier and modulating frequencies. When signals of more than one frequency make up a waveform, it is often better to show the AM signal in the frequency domain rather than in the time domain.

Sideband

Sideband Calculations

When only a single-frequency sine wave modulating signal is used, the modulation process generates two sidebands. If the modulating signal is a complex wave, such as voice or video, a whole range of frequencies modulate the carrier, and thus a whole range of sidebands are generated.

The upper sideband f_{USB} and lower sideband f_{LSB} are computed as

$$f_{\text{USB}} = f_c + f_m \quad \text{and} \quad f_{\text{LSB}} = f_c - f_m$$

where f_c is the carrier frequency and f_m is the modulating frequency.

The existence of sidebands can be demonstrated mathematically, starting with the equation for an AM signal described previously:

$$v_{\text{AM}} = V_c \sin 2\pi f_c t + (V_m \sin 2\pi f_m t) (\sin 2\pi f_c t)$$

By using the trigonometric identity that says that page 101 the product of two sine waves is

$$\sin A \sin B = \frac{\cos(A - B)}{2} - \frac{\cos(A + B)}{2}$$

and substituting this identity into the expression a modulated wave, the instantaneous amplitude of the signal becomes

$$v_{\text{AM}} = V_c \sin 2\pi f_c t + \frac{V_m}{2} \cos 2\pi t(f_c - f_m) - \frac{V_m}{2} \cos 2\pi t(f_c + f_m)$$

where the first term is the carrier; the second term, containing the difference $f_c - f_m$, is the lower sideband; and the third term, containing the sum $f_c + f_m$, is the upper sideband.

For example, assume that a 400-Hz tone modulates a 300-kHz carrier. The upper and lower sidebands are

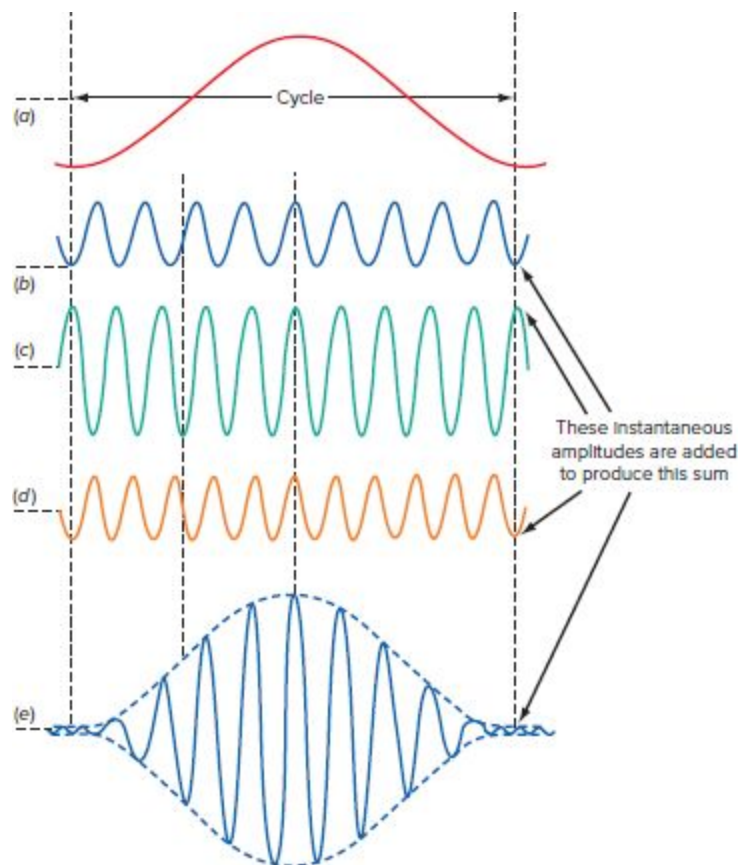
$$f_{\text{USB}} = 300,000 + 400 = 300,400 \text{ Hz} \quad \text{or} \quad 300.4 \text{ kHz}$$

$$f_{\text{LSB}} = 300,000 - 400 = 299,600 \text{ Hz} \quad \text{or} \quad 299.6 \text{ kHz}$$

Observing an AM signal on an oscilloscope, you can see the amplitude variations of the carrier with respect to time.

This time-domain display gives no obvious or outward indication of the existence of the sidebands, although the modulation process does indeed produce them, as the equation above shows. An AM signal is really a composite signal formed from several components: the carrier sine wave is added to the upper and lower sidebands, as the equation indicates. This is illustrated graphically in Fig. 3-6. Adding these signals together algebraically at every instantaneous point along the time axis and plotting the result yield the AM wave shown in the figure. It is a sine wave at the carrier frequency whose amplitude varies as determined by the modulating signal.

Figure 3-6 The AM wave is the algebraic sum of the carrier and upper and lower sideband sine waves. (a) Intelligence or modulating signal. (b) Lower sideband. (c) Carrier. (d) Upper sideband. (e) Composite AM wave.



Frequency-Domain Representation of AM

Another method of showing the sideband signals is to plot the carrier and sideband amplitudes with respect to frequency, as in Fig. 3-7. Here the horizontal axis represents frequency, and the vertical axis represents the amplitudes of the signals. The signals may be voltage, current, or power amplitudes and may be given in peak or rms values. A plot of signal amplitude versus frequency is referred to as a *frequency-domain display*. A test instrument known as a *spectrum analyzer* is used to display the frequency domain of a signal.

Frequency-domain display

Spectrum analyzer

Figure 3-7 A frequency-domain display of an AM signal (voltage).

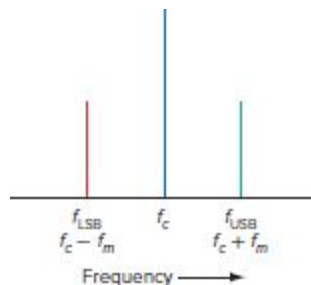
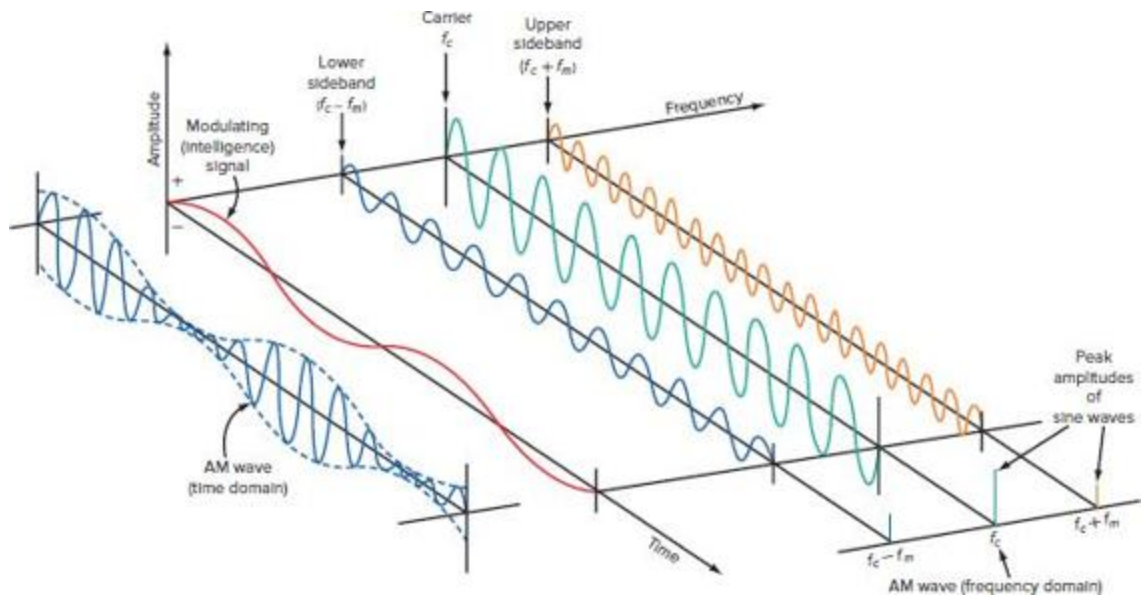


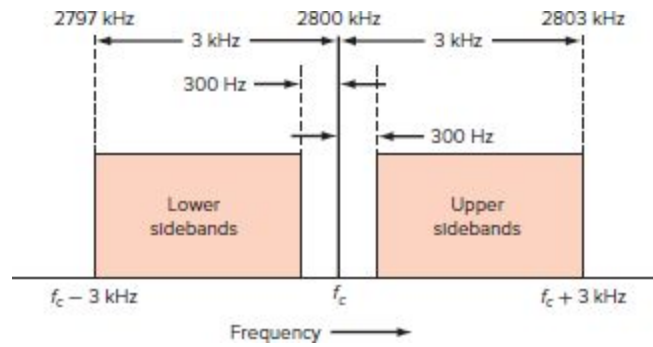
Fig. 3-8 shows the relationship between the time- and frequency-domain displays of an AM signal. The time and frequency axes are perpendicular to each other. The amplitudes shown in the frequency-domain display are the peak values of the carrier and sideband sine waves.

Figure 3-8 The relationship between the time and frequency domains.



Whenever the modulating signal is more complex than a single sine wave tone, multiple upper and lower sidebands are produced by the AM process. For example, a voice signal consists of many sine wave components of different frequencies mixed together. Recall that voice frequencies occur in the 300- to 3000-Hz range. Therefore, voice signals produce a range of frequencies above and below the carrier frequency, as shown in Fig. 3-9. These sidebands take up spectrum space. The total bandwidth of an AM signal is calculated by computing the maximum and minimum sideband frequencies. This is done by finding the sum and difference of the carrier frequency and maximum modulating frequency (3000 Hz, or 3 kHz, in Fig. 3-9). For example, if the carrier frequency is 2.8 MHz (2800 kHz), then the maximum and minimum sideband frequencies are

Figure 3-9 The upper and lower sidebands of a voice modulator AM signal. page 103



$$f_{\text{USB}} = 2800 + 3 = 2803 \text{ kHz} \quad \text{and} \quad f_{\text{LSB}} = 2800 - 3 = 2797 \text{ kHz}$$

The total bandwidth is simply the difference between the upper and lower sideband frequencies:

$$\text{BW} = f_{\text{USB}} - f_{\text{LSB}} = 2803 - 2797 = 6 \text{ kHz}$$

As it turns out, the bandwidth of an AM signal is twice the highest frequency in the modulating signal: $\text{BW} = 2f_m$, where f_m is the maximum modulating frequency. In the case of a voice signal whose maximum frequency is 3 kHz, the total bandwidth is simply

$$\text{BW} = 2(3 \text{ kHz}) = 6 \text{ kHz}$$

Example 3-2

A standard AM broadcast station is allowed to transmit modulating frequencies up to 5 kHz. If the AM station is transmitting on a frequency of 980 kHz, compute the maximum and minimum upper and lower sidebands and the total bandwidth occupied by the AM station.

$$f_{\text{USB}} = 980 + 5 = 985 \text{ kHz}$$

$$f_{\text{LSB}} = 980 - 5 = 975 \text{ kHz}$$

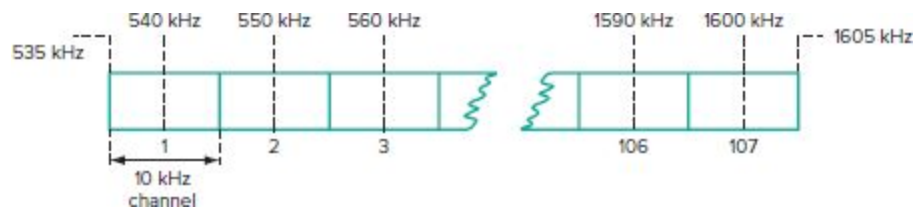
$$\text{BW} = f_{\text{USB}} - f_{\text{LSB}} = 985 - 975 = 10 \text{ kHz} \quad \text{or}$$

$$\text{BW} = 2(5 \text{ kHz}) = 10 \text{ kHz}$$

As Example 3-2 indicates, an AM broadcast station has a total bandwidth of 10 kHz. In addition, AM broadcast stations are spaced every 10 kHz across the spectrum from 540 to 1600 kHz. This is illustrated in Fig. 3-10. The sidebands from the first AM broadcast frequency extend down to 535 kHz and up to 545 kHz, forming a 10-kHz channel for the signal. The highest channel frequency is 1600 kHz, with sidebands extending from 1595 up to 1605 kHz. There are a total of 107 10-kHz-wide channels for AM radio stations.

Digital modulation

Figure 3-10 Frequency spectrum of AM broadcast band.



Digital Modulation

When complex signals such as pulses or rectangular waves modulate a carrier, a broad spectrum of sidebands are produced. According to Fourier theory, complex signals such as square waves, triangular waves, sawtooth waves, and distorted sine waves are simply made up of a fundamental sine wave and numerous harmonic signals at different amplitudes. Assume that a carrier is amplitude-modulated by a square wave that is made up of a fundamental sine wave and all odd harmonics. A modulating square wave will produce sidebands at frequencies based upon the fundamental sine wave as well as at the third, fifth, seventh, etc., harmonics, resulting in a frequency-domain plot like

that shown in Fig. 3-11. As can be seen, pulses generate extremely wide-bandwidth signals. In order for a square wave to be transmitted and faithfully received without distortion or degradation, all the most significant sidebands must be passed by the antennas and the transmitting and receiving circuits.

Figure 3-11 Frequency spectrum of an AM signal modulated by a square wave.

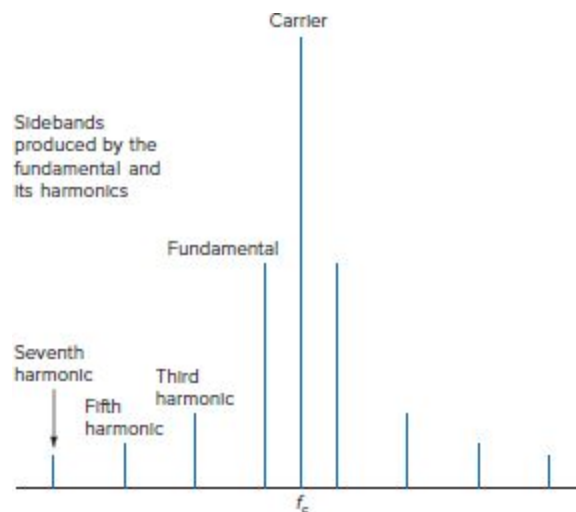
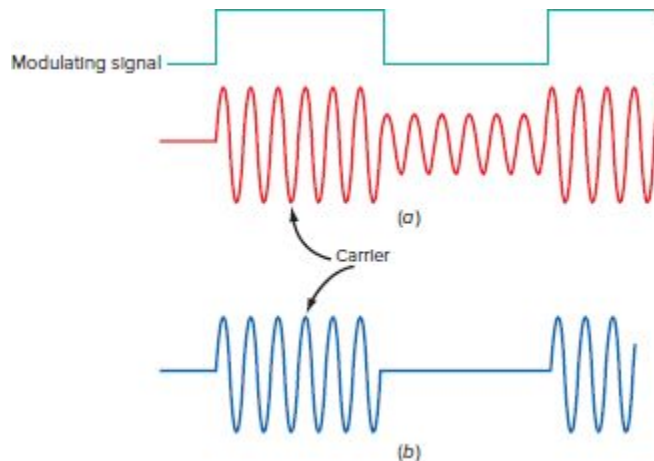


Fig. 3-12 shows the AM wave resulting when a square wave modulates a sine wave carrier. In Fig. 3-12(a), the percentage of modulation is 50; in Fig. 3-12(b), it is 100. In this case, when the square wave goes negative, it drives the carrier amplitude to zero. Amplitude modulation by square waves or rectangular binary pulses is referred to as *amplitude-shift keying (ASK)*. ASK is used in some types of data communication when binary information is to be transmitted.

Amplitude-shift keying (ASK)

Figure 3-12 Amplitude modulation of a sine wave carrier by a pulse or rectangular wave is called amplitude-shift keying. (a) Fifty percent modulation. (b) One hundred percent modulation.

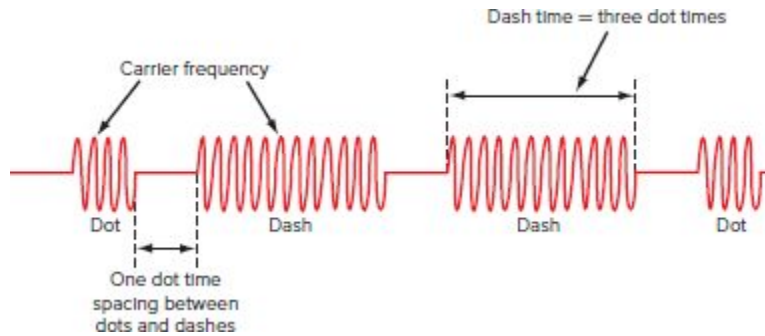


Another crude type of amplitude modulation can be achieved by simply turning the carrier off and on. An example is the transmitting of Morse code by using dots and dashes. A dot is a short burst of carrier, and a dash is a longer burst of carrier. Fig. 3-13 shows the transmission of the letter P, which is dot-dash-dash-dot (pronounced “dit-dah-dah-dit”). The time duration of a dash is three times the length of a dot, and the spacing between dots and dashes is one dot time. Code transmissions such as this are usually called *continuous-wave (CW) transmissions*. This kind of transmission is also referred to as *ON/OFF keying (OOK)*. Despite the fact that only the carrier is being transmitted, sidebands are generated by such ON/OFF signals. The sidebands result from the frequency or repetition rate of the pulses themselves plus their harmonics.

Continuous-wave (CW) transmission

ON/OFF keying (OOK)

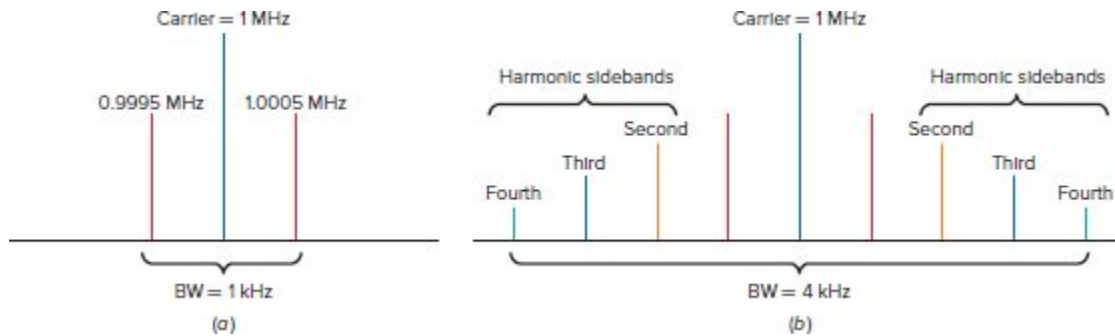
Figure 3-13 Sending the letter P by Morse code. An example of ON/OFF keying (OOK).



As indicated earlier, the distortion of an analog signal by overmodulation also generates harmonics. For example, the spectrum produced by a 500-Hz sine wave modulating a carrier of 1 MHz is shown in Fig. 3-14(a). The total bandwidth of the signal is 1 kHz. However, if the modulating signal is distorted, the second, third, fourth, and higher harmonics are generated. These harmonics also modulate the carrier, producing many more sidebands, as illustrated in Fig. 3-14(b). Assume that the distortion is such that the harmonic amplitudes beyond the fourth harmonic are insignificant (usually less than 1 percent); then the total bandwidth of the resulting signal is about 4 kHz instead of the 1-kHz bandwidth that would result without overmodulation and distortion. The harmonics can overlap into adjacent channels, where other signals may be present and interfere with them. Such harmonic sideband interference is sometimes called *splatter* because of the way it sounds at the receiver. Overmodulation and splatter are easily eliminated simply by reducing the level of the modulating signal by using gain control or in some cases by using amplitude-limiting or compression circuits.

Splatter

Figure 3-14 The effect of overmodulation and distortion on AM signal bandwidth. (a) Sine wave of 500 Hz modulating a 1-MHz carrier. (b) Distorted 500-Hz sine wave with significant second, third, and fourth harmonics.



3-4 AM Power

In radio transmission, the AM signal is amplified by a power amplifier and fed to the antenna with a characteristic impedance that is ideally, but not necessarily, almost pure resistance. The AM signal is really a composite of several signal voltages, namely, the carrier and the two sidebands, and each of these signals produces power in the antenna. The total transmitted power P_T is simply the sum of the carrier power P_c and the power in the two sidebands P_{USB} and P_{LSB} :

$$P_T = P_c + P_{LSB} + P_{USB}$$

You can see how the power in an AM signal is distributed and calculated by going back to the original AM equation:

$$v_{AM} = V_c \sin 2\pi f_c t + \frac{V_m}{2} \cos 2\pi t (f_c - f_m) - \frac{V_m}{2} \cos 2\pi t (f_c + f_m)$$

where the first term is the carrier, the second term is the lower sideband, and the third term is the upper sideband.

Now, remember that v_c and v_m are peak values of the carrier and modulating sine waves, respectively. For power calculations, rms values must be used for the voltages. We can convert from peak to rms by dividing the peak value by $\sqrt{2}$ or multiplying by 0.707. The rms carrier and sideband voltages are then

$$v_{AM} = \frac{V_c}{\sqrt{2}} \sin 2\pi f_c t + \frac{V_m}{2\sqrt{2}} \cos 2\pi t(f_c - f_m) - \frac{V_m}{2\sqrt{2}} \cos 2\pi t(f_c + f_m)$$

The power in the carrier and sidebands can be calculated by using the power formula $P = V^2/R$, where P is the output power, V is the rms output voltage, and R is the resistive part of the load impedance, which is usually an antenna. We just need to use the coefficients on the sine and cosine terms above in the power formula:

$$P_T = \frac{(V_c/\sqrt{2})^2}{R} + \frac{(V_m/2\sqrt{2})^2}{R} + \frac{(V_m/2\sqrt{2})^2}{R} = \frac{V_c^2}{2R} + \frac{V_m^2}{8R} + \frac{V_m^2}{8R}$$

Remembering that we can express the modulating signal V_m in terms of the carrier V_c by using the expression given earlier for the modulation index $m = V_m/V_c$; we can write

$$V_m = mV_c$$

If we express the sideband powers in terms of the carrier power, the total power becomes

$$P_T = \frac{(V_c)^2}{2R} + \frac{(mV_c)^2}{8R} + \frac{(mV_c)^2}{8R} = \frac{V_c^2}{2R} + \frac{m^2V_c^2}{8R} + \frac{m^2V_c^2}{8R}$$

Since the term $V_c^2/2R$ is equal to the rms carrier power page 107 P_c , it can be factored out, giving

$$P_T = \frac{V_c^2}{2R} \left(1 + \frac{m^2}{4} + \frac{m^2}{4} \right)$$

Finally, we get a handy formula for computing the total power in an AM signal when the carrier power and the percentage of modulation are known:

$$P_T = P_c \left(1 + \frac{m^2}{2} \right)$$

For example, if the carrier of an AM transmitter is 1000 W and it is modulated 100 percent ($m = 1$) the total AM power is

$$P_T = 1000 \left(1 + \frac{1^2}{2} \right) = 1500 \text{ W}$$

Of the total power, 1000 W of it is in the carrier. That leaves 500 W in both sidebands. Since the sidebands are equal in size, each sideband has 250 W.

For a 100 percent modulated AM transmitter, the total sideband power is always one-half that of the carrier power. A 50-kW transmitter carrier that is 100 percent modulated will have a sideband power of 25 kW, with 12.5 kW in each sideband. The total power for the AM signal is the sum of the carrier and sideband power, or 75 kW.

When the percentage of modulation is less than the optimum 100, there is much less power in the sidebands. For example, for a 70 percent modulated 250-W carrier, the total power in the composite AM signal is

$$P_T = 250 \left(1 + \frac{0.7^2}{2} \right) = 250(1 + 0.245) = 311.25 \text{ W}$$

Of the total, 250 W is in the carrier, leaving $311.25 - 250 = 61.25 \text{ W}$ in the sidebands. There is $61.25/2$ or 30.625 W in each sideband.

Example 3-3

An AM transmitter has a carrier power of 30 W. The percentage of modulation is 85 percent. Calculate (a) the total power and (b) the power in one sideband.

$$\begin{aligned} \text{a. } P_T &= P_c \left(1 + \frac{m^2}{2}\right) = 30 \left[1 + \frac{(0.85)^2}{2}\right] = 30 \left(1 + \frac{0.7225}{2}\right) \\ P_T &= 30(1.36125) = 40.8 \text{ W} \\ \text{b. } P_{\text{SB}} (\text{both}) &= P_T - P_c = 40.8 - 30 = 10.8 \text{ W} \\ P_{\text{SB}} (\text{one}) &= \frac{P_{\text{SB}}}{2} = \frac{10.8}{2} = 5.4 \text{ W} \end{aligned}$$

In the real world, it is difficult to determine AM power by measuring the output voltage and calculating the power with the expression $P = V^2/R$. However, it is easy to measure the current in the load. For example, you can use an RF ammeter connected in series with an antenna to observe antenna current. When the antenna impedance is known, the output power is easily calculated by using the formula

$$P_T = I_T^2 R$$

where $I_T = I_c \sqrt{(1 + m^2/2)}$. Here I_c is the unmodulated page 108 carrier current in the load, and m is the modulation index. For example, the total output power of an 85 percent modulated AM transmitter, whose unmodulated carrier current into a 50- Ω antenna load impedance is 10 A, is

$$I_T = 10 \sqrt{\left(1 + \frac{0.85^2}{2}\right)} = 10 \sqrt{1.36125} = 11.67 \text{ A}$$

$$P_T = 11.67^2(50) = 136.2(50) = 6809 \text{ W}$$

One way to find the percentage of modulation is to measure both the modulated and the unmodulated antenna currents. Then, by algebraically rearranging the formula above, m can be calculated directly:

$$m = \sqrt{2 \left[\left(\frac{I_T}{I_c} \right)^2 - 1 \right]}$$

Suppose that the unmodulated antenna current is 2.2 A. That is the current produced by the carrier only, or I_c . Now, if the modulated antenna current is 2.6 A, the modulation index is

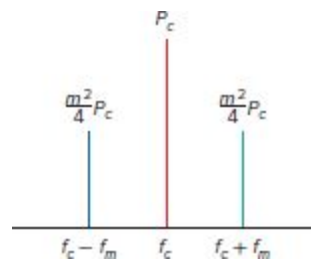
$$m = \sqrt{2 \left[\left(\frac{2.6}{2.2} \right)^2 - 1 \right]} = \sqrt{2[(1.18)^2 - 1]} = \sqrt{0.7934} = 0.89$$

The percentage of modulation is 89.

As you can see, the power in the sidebands depends on the value of the modulation index. The greater the percentage of modulation, the higher the sideband power and the higher the total power transmitted. Of course, maximum power appears in the sidebands when the carrier is 100 percent modulated. The power in each sideband P_{SB} is given by

$$P_{SB} = P_{LSB} = P_{USB} = \frac{P_c m^2}{4}$$

An example of a time-domain display of an AM signal (power) is as follows.



Assuming 100 percent modulation where the modulation factor $m = 1$, the power in each sideband is one-fourth, or 25 percent, of the carrier power. Since there are two sidebands, their power together represents 50 percent of the carrier power. For example, if the carrier power is 100 W, then at 100 percent modulation, 50 W will appear in the sidebands, 25 W in each. The total transmitted power, then, is the sum of the carrier and sideband powers, or 150 W. The goal in AM is to keep the percentage of modulation as high as possible without overmodulation so that maximum sideband power is transmitted.

The carrier power represents two-thirds of the total transmitted power. Assuming 100-W carrier power and a total power of 150 W, the carrier power percentage is $100/150 = 0.667$, or 66.7 percent. The sideband power percentage is thus $50/150 = 0.333$, or 33.3 percent.

The carrier itself conveys no information. The carrier can be transmitted and received, but unless modulation occurs, no information will be transmitted. When modulation occurs, sidebands are produced. It is easy to conclude, therefore, that all the transmitted information is contained within the sidebands. Only one-third of the total transmitted power is allotted to the sidebands, and the remaining two-thirds is literally wasted on the carrier.

At lower percentages of modulation, the power in page 109 the sidebands is even less. For example, assuming a carrier power of 500 W and a modulation of 70 percent, the power in each sideband is

$$P_{SB} = \frac{P_c m^2}{4} = \frac{500(0.7)^2}{4} = \frac{500(0.49)}{4} = 61.25 \text{ W}$$

and the total sideband power is 122.5 W. The carrier power, of course, remains unchanged at 500 W.

As stated previously, complex voice and video signals vary over a wide amplitude and frequency range, and 100 percent modulation occurs only on the peaks of the modulating signal. For this reason, the average sideband power is considerably lower than the ideal 50 percent that would be produced by 100 percent modulation. With less sideband power transmitted, the received signal is weaker and communication is less reliable.

Example 3-4

An antenna has an impedance of $40\ \Omega$. An unmodulated AM signal produces a current of 4.8 A. The modulation is 90 percent. Calculate (a) the carrier power, (b) the total power, and (c) the sideband power.

a. $P_c = I^2 R = (4.8)^2(40) = (23.04)(40) = 921.6\ \text{W}$

b. $I_T = I_c \sqrt{1 + \frac{m^2}{2}} = 4.8 \sqrt{1 + \frac{(0.9)^2}{2}} = 4.8 \sqrt{1 + \frac{0.81}{2}}$

$$I_T = 4.8 \sqrt{1.405} = 5.7\ \text{A}$$

$$P_T = I_T^2 R = (5.7)^2(40) = 32.49(40) = 1295\ \text{W}$$

c. $P_{\text{SB}} = P_T - P_c = 1295 - 921.6 = 373.4\ \text{W}$ (186.7 W each sideband)

Example 3-5

The transmitter in Example 3-4 experiences an antenna current change from 4.8 A unmodulated to 5.1 A. What is the percentage of modulation?

$$\begin{aligned}
 m &= \sqrt{2 \left[\left(\frac{I_T}{I_c} \right)^2 - 1 \right]} \\
 &= \sqrt{2 \left[\left(\frac{5.1}{4.8} \right)^2 - 1 \right]} \\
 &= \sqrt{2[(1.0625)^2 - 1]} \\
 &= \sqrt{2(1.13 - 1)} \\
 &= \sqrt{2(0.13)} \\
 &= \sqrt{0.26} \\
 m &= 0.51
 \end{aligned}$$

The percentage of modulation is 51.

Example 3-6

What is the power in one sideband of the transmitter in Example 3-4?

$$P_{SB} = m^2 \frac{P_c}{4} = \frac{(0.9)^2(921.6)}{4} = \frac{746.5}{4} = 186.6 \text{ W}$$

Despite its inefficiency, AM is still widely used because it is simple and effective. It is used in AM radio broadcasting, CB radio, TV broadcasting, and aircraft tower communication. Some simple control radios use ASK because of its simplicity. Examples are garage door openers and remote keyless entry devices on cars. AM is also widely used in combination with phase modulation to produce quadrature amplitude modulation (QAM) which facilitates high-speed data transmissions in modems, cable TV, and some wireless applications.

Single-sideband modulation

3-5 Single-Sideband Modulation

In amplitude modulation, two-thirds of the transmitted power is in the carrier, which itself conveys no information. The real information is contained within the sidebands. One way to improve the efficiency of amplitude modulation is to suppress the carrier and eliminate one sideband. The result is a single-sideband (SSB) signal. SSB is a form of AM that offers unique benefits in some types of electronic communication.

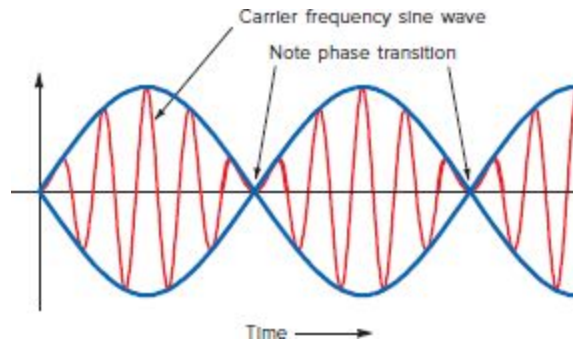
DSB Signals

The first step in generating an SSB signal is to suppress the carrier, leaving the upper and lower sidebands. This type of signal is referred to as a *double-sideband suppressed carrier* (DSSC or DSB) signal. The benefit, of course, is that no power is wasted on the carrier. Double-sideband suppressed carrier modulation is simply a special case of AM with no carrier.

Double-sideband suppressed carrier (DSSC or DSB)

A typical DSB signal is shown in Fig. 3-15. This signal, the algebraic sum of the two sinusoidal sidebands, is the signal produced when a carrier is modulated by a single-tone sine wave information signal. The carrier is suppressed, and the time-domain DSB signal is a sine wave at the carrier frequency, varying in amplitude as shown. Note that the envelope of this waveform is not the same as that of the modulating signal, as it is in a pure AM signal with carrier. A unique characteristic of the DSB signal is the phase transitions that occur at the lower-amplitude portions of the wave. In Fig. 3-15, note that there are two adjacent positive-going half-cycles at the null points in the wave. That is one way to tell from an oscilloscope display whether the signal shown is a true DSB signal.

Figure 3-15 A time-domain display of a DSB AM signal.

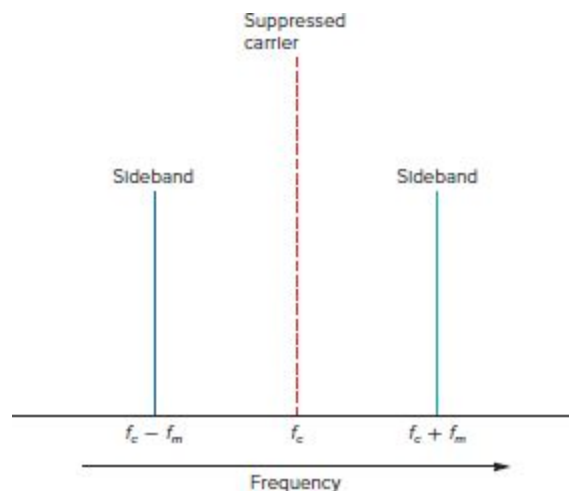


Time-domain display

A *frequency-domain display* of a DSB signal is page 111 given in Fig. 3-16. As shown, the spectrum space occupied by a DSB signal is the same as that for a conventional AM signal.

Frequency-domain display

Figure 3-16 A frequency-domain display of DSB signal.



Double-sideband suppressed carrier signals are generated by a circuit called a *balanced modulator*. The purpose of the balanced modulator is to produce the sum and difference frequencies but to cancel or balance out the carrier. Balanced modulators are covered in detail in Chap. 4.

Despite the fact that elimination of the carrier in DSB AM saves considerable power, DSB is not widely used because

the signal is difficult to demodulate (recover) at the receiver.

SSB Signals

In DSB transmission, since the sidebands are the sum and difference of the carrier and modulating signals, the information is contained in both sidebands. As it turns out, there is no reason to transmit both sidebands in order to convey the information. One sideband can be suppressed; the remaining sideband is called a *single-sideband suppressed carrier (SSSC or SSB)* signal. SSB signals offer four major benefits.

Single-sideband suppressed carrier (SSSC or SSB)

GOOD TO KNOW

Although eliminating the carrier in DSB AM saves a great deal of power, DSB is not widely used because the signal is difficult to demodulate at the receiver.

1. The primary benefit of an SSB signal is that the spectrum space it occupies is only one-half that of AM and DSB signals. This greatly conserves spectrum space and allows more signals to be transmitted in the same frequency range.
2. All the power previously devoted to the carrier and the other sideband can be channeled into the single sideband, producing a stronger signal that should carry farther and be more reliably received at greater distances. Alternatively, SSB transmitters can be made smaller and lighter than an equivalent AM or DSB transmitter because less circuitry and power are used.
3. Because SSB signals occupy a narrower bandwidth, the amount of noise in the signal is reduced.

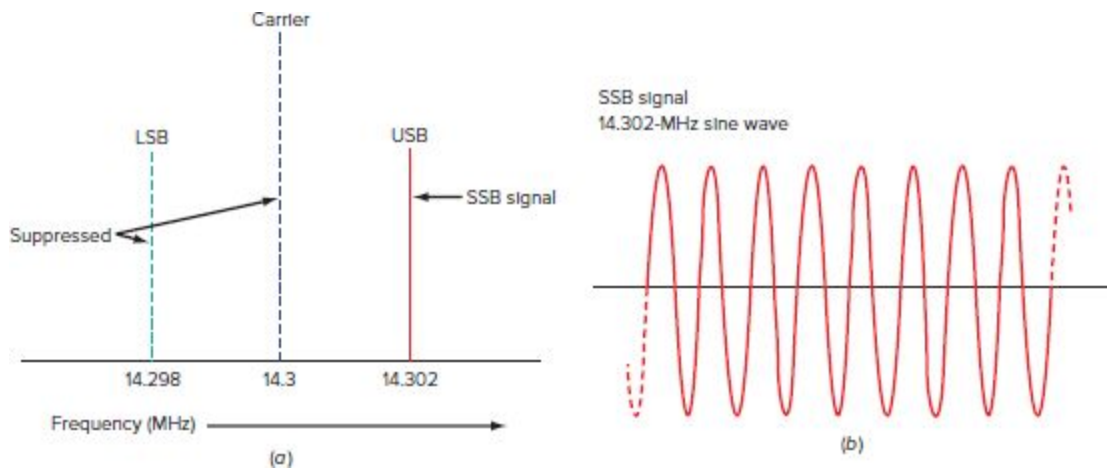
4. There is less selective fading of an SSB signal over long distances. An AM signal is really multiple signals, at least a carrier and two sidebands. These are on different frequencies, so they are affected in slightly different ways by the ionosphere and upper atmosphere, which have a great influence on radio signals of less than about 50 MHz. The carrier and sidebands may arrive at the receiver at slightly different times, causing a phase shift that can, in turn, cause them to add in such a way as to cancel one another rather than add up to the original AM signal. Such cancellation, or *selective fading*, is not a problem with SSB since only one sideband is being transmitted.

Selective fading

An SSB signal has some unusual characteristics. First, when no information or modulating signal is present, no RF signal is transmitted. In a standard AM transmitter, the carrier is still transmitted even though it may not be modulated. This is the condition that might occur during a voice pause on an AM broadcast. But since there is no carrier transmitted in an SSB system, no signals are present if the information signal is zero. Sidebands are generated only during the modulation process, e.g., when someone speaks into a microphone. This explains why SSB is so much more efficient than AM.

Fig. 3-17 shows the frequency- and time-domain displays of an SSB signal produced when a steady 2-kHz sine wave tone modulates a 14.3-MHz carrier. Amplitude modulation would produce sidebands of 14.298 and 14.302 MHz. In SSB, only one sideband is used. Fig. 3-17(a) shows that only the upper sideband is generated. The RF signal is simply a constant-power 14.302-MHz sine wave. A time-domain display of this SSB signal is shown in Fig. 3-17(b).

Figure 3-17 An SSB signal produced by a 2-kHz sine wave modulating a 14.3-MHz sine wave carrier.



Of course, most information signals transmitted by SSB are not pure sine waves. A more common modulation signal is voice, with its varying frequency and amplitude content. The voice signal creates a complex RF SSB signal that varies in frequency and amplitude over the narrow spectrum defined by the voice signal bandwidth. The waveform at the output of the SSB modulator has the same shape as the baseband waveform, but it is shifted in frequency.

Disadvantages of DSB and SSB

The main disadvantage of DSB and SSB signals is that they are harder to recover, or demodulate, at the receiver. Demodulation depends upon the carrier being present. If the carrier is not present, then it must be regenerated at the receiver and reinserted into the signal. To faithfully recover the intelligence signal, the reinserted carrier must have the same phase and frequency as those of the original carrier. This is a difficult requirement. When SSB is used for voice transmission, the reinserted carrier can be made variable in frequency so that it can be adjusted manually while

listening to recover an intelligible signal. This is not possible with some kinds of data signals.

To solve this problem, a low-level carrier signal is [page 113](#) sometimes transmitted along with the two sidebands in DSB or a single sideband in SSB. Because the carrier has a low power level, the essential benefits of SSB are retained, but a weak carrier is received so that it can be amplified and reinserted to recover the original information. Such a low-level carrier is referred to as a *pilot carrier*.

Pilot carrier

Signal Power Considerations

In conventional AM, the transmitted power is distributed among the carrier and two sidebands. For example, given a carrier power of 400 W with 100 percent modulation, each sideband will contain 100 W of power and the total power transmitted will be 600 W. The effective transmission power is the combined power in the sidebands, or 200 W.

An SSB transmitter sends no carrier, so the carrier power is zero. A given SSB transmitter will have the same communication effectiveness as a conventional AM unit running much more power. For example, a 10-W SSB transmitter offers the performance capabilities of an AM transmitter running a total of 40 W, since they both show 10 W of power in one sideband. The power advantage of SSB over AM is 4:1.

In SSB, the transmitter output is expressed in terms of *peak envelope power (PEP)*, the maximum power produced on voice amplitude peaks. PEP is computed by the equation $P = V^2/R$. For example, assume that a voice signal produces a 360-V, peak-to-peak signal across a 50- Ω load. The rms voltage is 0.707 times the peak value, and the peak value is

one-half the peak-to-peak voltage. In this example, the rms voltage is $0.707(360/2) = 127.26 \text{ V}$.

Peak envelope power (PEP)

The peak envelope power is then

$$\text{PEP} = V_{\text{rms}}^2/R = \frac{(127.26)^2}{50} = 324 \text{ W}$$

The PEP input power is simply the dc input power of the transmitter's final amplifier stage at the instant of the voice envelope peak. It is the final amplifier stage dc supply voltage multiplied by the maximum amplifier current that occurs at the peak, or

$$\text{PEP} = V_s I_{\text{max}}$$

where V_s = amplifier supply voltage
 I_{max} = current peak

For example, a 450-V supply with a peak current of 0.8 A produces a PEP of $450(0.8) = 360 \text{ W}$.

Note that voice amplitude peaks are produced only when very loud sounds are generated during certain speech patterns or when some word or sound is emphasized. During normal speech levels, the input and output power levels are much less than the PEP level. The average power is typically only one-fourth to one-third of the PEP value with typical human speech:

$$P_{\text{avg}} = \frac{\text{PEP}}{3} \quad \text{or} \quad P_{\text{avg}} = \frac{\text{PEP}}{4}$$

With a PEP of 240 W, the average power is only 60 to 80 W. Typical SSB transmitters are designed to handle only the average power level on a continuous basis, not the PEP.

The transmitted sideband will, of course, change in frequency and amplitude as a complex voice signal is

applied. This sideband will occupy the same bandwidth as one sideband in a fully modulated AM signal with carrier.

Incidentally, it does not matter whether the upper page 114 or lower sideband is used, since the information is contained in either. A filter is typically used to remove the unwanted sideband.

Example 3-7

An SSB transmitter produces a peak-to-peak voltage of 178 V across a 75- Ω antenna load. What is the PEP?

$$V_p = \frac{V_{p-p}}{2} = \frac{178}{2} = 89 \text{ V}$$

$$V_{\text{rms}} = 0.707 V_p = 0.707(89) = 62.9 \text{ V}$$

$$P = \frac{V^2}{R} = \frac{(62.9)^2}{75} = 52.8 \text{ W}$$

$$\text{PEP} = 52.8 \text{ W}$$

Example 3-8

An SSB transmitter has a 24-V dc power supply. On voice peaks the current achieves a maximum of 9.3 A.

a. What is the PEP?

$$\text{PEP} = V_s I_m = 24(9.3) = 223.2 \text{ W}$$

b. What is the average power of the transmitter?

$$P_{\text{avg}} = \frac{\text{PEP}}{3} = \frac{223.2}{3} = 74.4 \text{ W}$$

$$P_{\text{avg}} = \frac{\text{PEP}}{4} = \frac{223.2}{4} = 55.8 \text{ W}$$

$$P_{\text{avg}} = 55.8 \text{ to } 74.4 \text{ W}$$

3-6 Current AM/ASK Radio Usage

Even though AM is the oldest form of radio modulation, it is still widely deployed. Here is a list of 10 current popular applications.

1. AM broadcast radio. The first radio broadcast technology. Since 1920s. There are still 4728 approximately AM stations in the United States (there are about 6613 FM stations).
2. CB radio. Citizens band radios are used by truckers, motorists, and law enforcement. Some upscale transceivers use the AM derivative SSB.
3. Aircraft radio. Plane to tower, tower to ground, page 115 etc., both commercial and private planes.
4. Military radios for long range. Some Air Force SSB radios.
5. Amateur radio. Mostly SSB voice on the lower ham bands (160, 80, 40, and 20 meters).
6. Shortwave broadcast radio. Long-range broadcasting worldwide on frequencies from about 5 MHz to 19 MHz. AM high power.
7. Data radios for short-range control, e.g., garage door openers, use ASK/OOK on unlicensed frequencies 315, 433, and 902–928 MHz. Remote temperature monitors use ASK.

8. Modern digital over-the-air TV video uses 8VSB or eight-level AM to transmit data.
9. Pulse amplitude modulation (PAM). Modulating pulse amplitudes to represent data values in a telemetry system. No longer widely used.
10. Quadrature amplitude modulation (QAM). A combination of AM and phase modulation that is widely used to transmit data in cell phones, Wi-Fi wireless networks, and other wireless applications.

3-7 Classification of Radio Emissions

Fig. 3-18 shows the codes used to designate the many types of signals that can be transmitted by radio and wire. The basic code is made up of a capital letter and a number, and lowercase subscript letters are used for more specific definitions. For example, a basic AM voice signal such as that heard on the AM broadcast band or on a CB or aircraft radio has the code A3. All the variations of AM using voice or video intelligence have the A3 designation, but subscript letters are used to distinguish them. Examples of codes designating signals described in this chapter are as follows:

Figure 3-18 Radio emission code designations.

Letter	A	Amplitude modulation
	F	Frequency modulation
	P	Phase modulation
Number	0	Carrier ON only, no message (radio beacon)
	1	Carrier ON/OFF, no message (Morse code, radar)
	2	Carrier ON, keyed tone ON/OFF (code)
	3	Telephony, message as voice or music
	4	Fax, nonmoving graphics (slow-scan TV)
	5	Vestigial sideband (commercial TV)
	6	Four-frequency duplex telegraphy
	7	Multiple sidebands each with different message
	8	
Subscripts	9	General (all others)
	None	Double sideband, full carrier
	a	Single sideband, reduced carrier
	b	Double sideband, no carrier
	c	Vestigial sideband
	d	Carrier pulses only, pulse amplitude modulation (PAM)
	e	Carrier pulses only, pulse width modulation (PWM)
	f	Carrier pulses only, pulse position modulation (PPM)
	g	Quantized pulses, digital video
	h	Single sideband, full carrier
	j	Single sideband, no carrier

DSB two sidebands, full carrier = A3

page 116

DSB two sidebands, suppressed carrier = A3_b

SSB single sideband, suppressed carrier = A3_j

SSB single sideband, 10 percent pilot carrier = A3_a

Vestigial sideband TV = A3_c

OOK and = A1

Note that there are special designations for fax and pulse transmissions, and that the number 9 covers any special modulation or techniques not covered elsewhere. When a number precedes the letter code, the number refers to bandwidth in kilohertz. For example, the designation 10A3 refers to a 10-kHz bandwidth voice AM signal. The designation 20A3_h refers to an AM SSB signal with full carrier and message frequency to 20 kHz.

Another system used to describe a signal is given in Fig. 3-19. It is similar to the method just described, but with some variations. This is the definition used by the standards

organization International Telecommunications Union (ITU). Some examples are

Figure 3-19 ITU emissions designations.

Type of Modulation	
N	Unmodulated carrier
A	Amplitude modulation
J	Single sideband
F	Frequency modulation
G	Phase modulation
P	Series of pulses, no modulation
Type of Modulating Signals	
0	None
1	Digital, single channel, no modulation
2	Digital, single channel, with modulation
3	Analog, single channel
7	Digital, two or more channels
8	Analog, two or more channels
9	Analog plus digital
Type of Intelligence Signal	
N	None
A	Telegraphy, human
B	Telegraphy, machine
C	Fax
D	Data, telemetry, control signals
E	Telephony (human voice)
F	Video, TV
W	Some combination of any of the above

A3F amplitude-modulated analog TV
J3E SSB voice
F2D FSK data
G7E phase-modulated voice, multiple signals

CHAPTER REVIEW

Online Activity

3-1 AM and SSB Radio Applications

Objective: Determine the modern uses of AM and SSB radio today.

Procedures:

1. Perform Internet searches on the terms *AM*, *AM applications*, *SSB*, *SSB-SC* (suppressed carrier), or similar terms.
2. Look for the major uses of AM and SSB. What services use AM/SSB?
3. Answer the following questions. Keep searching until all questions are answered.

Questions:

1. Name at least five places where AM is still used.
2. Name at least three places where SSB is used.
3. What is the main benefit of SSB?
4. What is the main disadvantage of SSB?
5. In what frequency range is SSB normally used?

Questions

1. Define modulation.
2. Explain why modulation is necessary or desirable.
3. Name the circuit that causes one signal to modulate another, and give the names of the two signals applied to this circuit.
4. In AM, how does the carrier vary in accordance with the information signal?
5. True or false? The carrier frequency is usually lower than the modulating frequency.
6. What is the outline of the peaks of the carrier signal called, and what shape does it have?
7. What are voltages that vary over time called?

- 8.** Write the trigonometric expression for a sine wave carrier signal.
- 9.** True or false? The carrier frequency remains constant during AM.
- 10.** What mathematical operation does an amplitude modulator perform?
- 11.** What is the ideal relationship between the modulating signal voltage v_m and the carrier voltage v_c ?
- 12.** What is the modulation index called when it is expressed as a percentage?
- 13.** Explain the effects of a modulation percentage greater than 100.
- 14.** What is the name given to the new signals generated by the modulation process?
- 15.** What is the name of the type of signal that is displayed on an oscilloscope?
- 16.** What is the type of signal whose amplitude components are displayed with respect to frequency called, and on what instrument is this signal displayed?
- 17.** Explain why complex nonsinusoidal and distorted signals produce a greater bandwidth AM signal than a simple sine wave signal of the same frequency.
- 18.** What three signals can be added to give an AM wave?
- 19.** What is the name given to an AM signal whose carrier is modulated by binary pulses?
- 20.** What is the value of phasor representation of AM signals?
- 21.** True or false? The modulating signal appears in the output spectrum of an AM signal.
- 22.** What percentage of the total power in an AM signal is in the carrier? One sideband? Both sidebands?
- 23.** Does the carrier of an AM signal contain any information? Explain.
- 24.** What is the name of a signal that has both sidebands but no carrier?

25. What is the name of the circuit used to eliminate the carrier in DSB/SSB transmissions?
26. What is the minimum bandwidth AM signal that can be transmitted and still convey all the necessary intelligence?
27. State the four main benefits of SSB over conventional AM.
28. Using Figs. 3-18 and 3-19, write the designations for a pulse-amplitude-modulated radio signal and an amplitude-modulated (V_{SB}) analog fax signal.
29. Explain the bandwidth requirements of a voice signal of 2 kHz and a binary data signal with a rate of 2 kHz.

Problems

1. Give the formula for modulation index and explain its terms. ◆
2. An AM wave displayed on an oscilloscope has values of $V_{max} = 4.8$ and $V_{min} = 2.5$ as read from the graticule. What is the percentage of modulation?
3. What is the ideal percentage of modulation for maximum amplitude of information transmission? ◆
4. To achieve 75 percent modulation of a carrier of $V_c = 50$ V, what amplitude of the modulating signal V_m is needed?
5. The maximum peak-to-peak value of an AM wave is 45 V. The peak-to-peak value of the modulating signal is 20 V. What is the percentage of modulation? ◆
6. What is the mathematical relationship of the carrier and modulating signal voltages when overmodulation occurs?
7. An AM radio transmitter operating on 3.9 MHz is modulated by frequencies up to 4 kHz. What are the maximum upper and lower side frequencies? What is the total bandwidth of the AM signal? ◆

- 8.** What is the bandwidth of an AM signal whose carrier is 2.1 MHz modulated by a 1.5-kHz square wave with significant harmonics up to the fifth? Calculate all the upper and lower sidebands produced.
- 9.** How much power appears in one sideband of an AM signal of a 5-kW transmitter modulated by 80 percent?
◆
- 10.** What is the total power supplied by an AM transmitter with a carrier power of 2500 W and modulation of 77 percent?
- 11.** An AM signal has a 12-W carrier and 1.5 W in each sideband. What is the percentage of modulation?
- 12.** An AM transmitter puts a carrier of 6 A into an antenna whose resistance is $52\ \Omega$. The transmitter is modulated by 60 percent. What is the total output power?
- 13.** The antenna current produced by an unmodulated carrier is 2.4 A into an antenna with a resistance of $75\ \Omega$. When amplitude-modulated, the antenna current rises to 2.7 A. What is the percentage of modulation?
- 14.** A ham transmitter has a carrier power of 750 W. How much power is added to the signal when the transmitter is 100 percent modulated?
- 15.** An SSB transmitter has a power supply voltage of 250 V. On voice peaks, the final amplifier draws a current of 3.3 A. What is the input PEP?
- 16.** The peak-to-peak output voltage of 675 V appears across a $52\text{-}\Omega$ antenna on voice peaks in an SSB transmitter. What is the output PEP?
- 17.** What is the average output power of an SSB transmitter rated at 100-W PEP?
- 18.** An SSB transmitter with a carrier of 2.3 MHz is modulated by an intelligence signal in the 150-Hz to 4.2-kHz range. Calculate the frequency range of the lower sideband.

Critical Thinking

1. Can intelligence be sent without a carrier? If so, how?
2. How is the output power of an SSB transmitter expressed?
3. A subcarrier of 70 kHz is amplitude-modulated by tones of 2.1 and 6.8 kHz. The resulting AM signal is then used to amplitude-modulate a carrier of 12.5 MHz. Calculate all sideband frequencies in the composite signal, and draw a frequency-domain display of the signal. Assume 100 percent modulation. What is the bandwidth occupied by the complete signal?
4. Explain how you could transmit two independent baseband information signals by using SSB on a common carrier frequency.
5. An AM signal with 100 percent modulation has an upper sideband power of 32 W. What is the carrier power?
6. Can an information signal have a higher frequency than that of the carrier signal? What would happen if a 1-kHz signal amplitude-modulated a 1-kHz carrier signal?

Amplitude Modulator and Demodulator Circuits

Dozens of modulator circuits have been developed that cause the carrier amplitude to be varied in accordance with the modulating information signal. There are circuits to produce AM, DSB, and SSB at low or high power levels. This chapter examines some of the more common and widely used discrete-component and integrated-circuit (IC) amplitude modulators. Also covered are demodulator circuits for AM, DSB, and SSB.

The circuits in this chapter show individual components, but keep in mind, today most circuits are in integrated circuit form. Furthermore, as you will see in future chapters, modulation and demodulation functions are commonly implemented in software in digital signal processing circuits.

This chapter assumes that you have some previous knowledge or experience in basic electronic circuits such as amplifiers, including differential and operational amplifiers, oscillators, rectifiers, and basic digital circuits.

Objectives

After completing this chapter, you will be able to:

- Explain the relationship of the basic equation for an AM signal to the production of amplitude modulation,

mixing, and frequency conversion by a diode or other nonlinear frequency component or circuit.

- Describe the operation of diode modulator circuits and diode detector circuits.
- Compare the advantages and disadvantages of low- and high-level modulation.
- Explain how the performance of a basic diode detector is enhanced by using full wave rectifier circuits.
- Define synchronous detection and explain the [role of clippers in synchronous detector circuits.](#) page 120
- State the function of balanced modulators and describe the differences between lattice modulators and IC modulator circuits.
- Draw a block diagram of the filter-type SSB generator.

4-1 Basic Principles of Amplitude Modulation

Examining the basic equation for an AM signal, introduced in Chap. 3, gives us several clues as to how AM can be generated. The equation is

$$v_{AM} = V_c \sin 2\pi f_c t + (V_m \sin 2\pi f_m t)(\sin 2\pi f_c t)$$

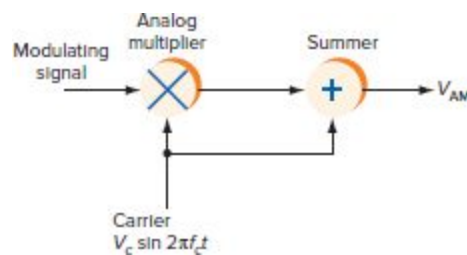
where the first term is the sine wave carrier and the second term is the product of the sine wave carrier and modulating signals. (Remember that v_{AM} is the instantaneous value of the amplitude modulation voltage.) The modulation index m is the ratio of the modulating signal amplitude to the carrier amplitude, or $m = V_m/V_c$, and so $V_m = mV_c$. Then substituting this for V_m in the basic equation yields $v_{AM} = V_c \sin 2\pi f_c t + (mV_c \sin 2\pi f_m t)(\sin 2\pi f_c t)$. Factoring gives $v_{AM} = V_c \sin 2\pi f_c t(1 + m \sin 2\pi f_m t)$.

AM in the Time Domain

When we look at the expression for v_{AM} , it is clear that we need a circuit that can multiply the carrier by the modulating signal and then add the carrier. A block diagram of such a circuit is shown in Fig. 4-1. One way to do this is to develop a circuit whose gain (or attenuation) is a function of $1 + m \sin 2\pi f_m t$. If we call that gain A , the expression for the AM signal becomes

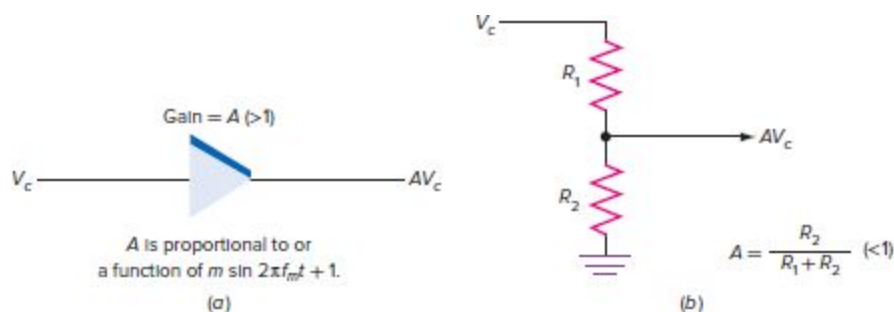
$$v_{AM} = A(v_c)$$

Figure 4-1 Block diagram of a circuit to produce AM.



where A is the gain or attenuation factor. Fig. 4-2 shows simple circuits based on this expression. In Fig. 4-2(a), A is a gain greater than 1 provided by an amplifier. In Fig. 4-2(b), the carrier is attenuated by a voltage divider. The gain in this case is less than 1 and is therefore an attenuation factor. The carrier is multiplied by a fixed fraction A .

Figure 4-2 Multiplying the carrier by a fixed gain A .



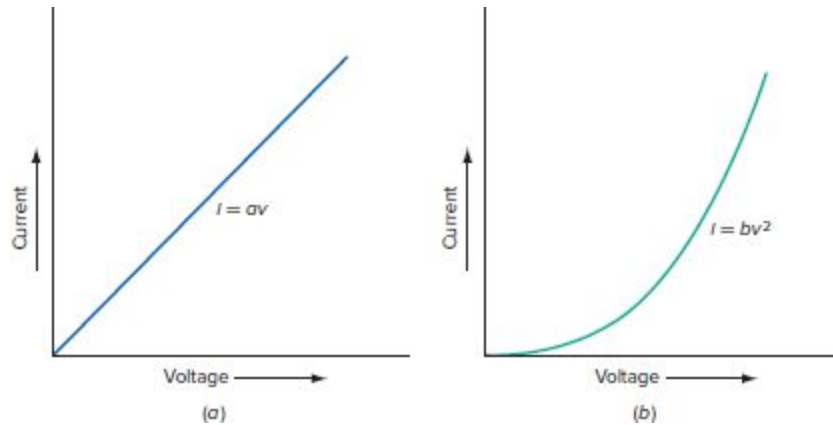
Now, if the gain of the amplifier or the page 121 attenuation of the voltage divider can be varied in accordance with the modulating signal plus 1, AM will be produced. In Fig. 4-2(a) the modulating signal would be used to increase or decrease the gain of the amplifier as the amplitude of the intelligence changed. In Fig. 4-2(b), the modulating signal could be made to vary one of the resistances in the voltage divider, creating a varying attenuation factor. A variety of popular circuits permit gain or attenuation to be varied dynamically with another signal, producing AM.

AM in the Frequency Domain

Another way to generate the product of the carrier and modulating signal is to apply both signals to a nonlinear component or circuit, ideally one that generates a square-law function. A linear component or circuit is one in which the current is a linear function of the voltage [see Fig. 4-3(a)]. A resistor or linearly biased transistor is an example of a linear device. The current in the device increases in direct proportion to increases in voltage. The steepness or slope of the line is determined by the coefficient a in the expression

$$i = av.$$

Figure 4-3 Linear and square-law response curves. (a) A linear voltage-current relationship. (b) A nonlinear or square-law response.



A nonlinear circuit is one in which the current is not directly proportional to the voltage. A common nonlinear component is a diode that has the nonlinear parabolic response shown in Fig. 4-3(b), where increasing the voltage increases the current but not in a straight line. Instead, the current variation is a square-law function. A *square-law function* is one that varies in proportion to the square of the input signals. A diode gives a good approximation of a square-law response. Bipolar and field-effect transistors (FETs) can also be biased to give a square-law response. An FET gives a near-perfect square-law response, whereas diodes and bipolar transistors, which contain higher-order components, only approximate the square-law function.

Square-law function

The current variation in a typical semiconductor diode can be approximated by the equation

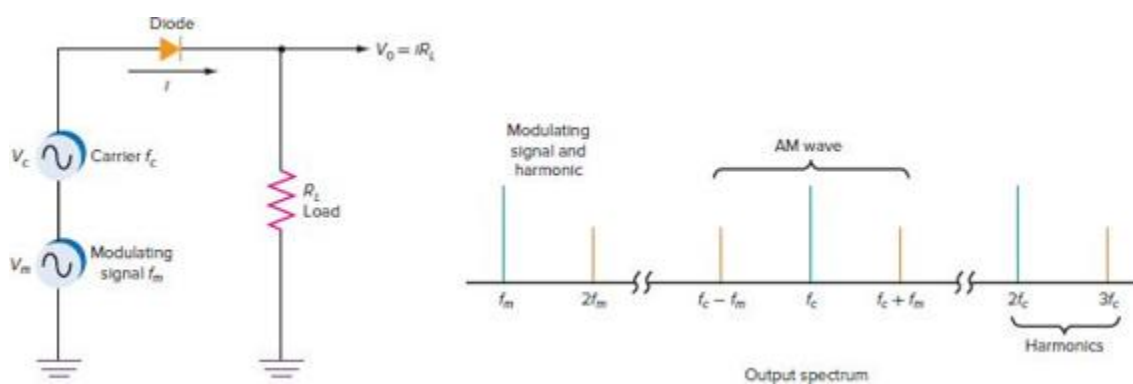
$$i = av + bv^2$$

where av is a linear component of the current equal to the applied voltage multiplied by the coefficient a (usually a dc bias) and bv^2 is second-order or square-law component of the current. Diodes and transistors also have higher-order terms, such as cv^3 and dv^4 ; however, these are smaller and often negligible and so are neglected in an analysis.

To produce AM, the carrier and modulating signals page 122 are added and applied to the nonlinear device. A simple way to do this is to connect the carrier and modulating sources in series and apply them to the diode circuit, as in Fig. 4-4. The voltage applied to the diode is then

$$v = v_c + v_m$$

Figure 4-4 A square-law circuit for producing AM.



The diode current in the resistor is

$$i = a(v_c + v_m) + b(v_c + v_m)^2$$

Expanding, we get

$$i = a(v_c + v_m) + b(v_c^2 + 2v_c v_m + v_m^2)$$

Substituting the trigonometric expressions for the carrier and modulating signals, we let $v_c \sin 2\pi f_c t = v_c \sin \omega_c t$, where $\omega = 2\pi f_c$, and $v_m \sin 2\pi f_m t = v_m \sin \omega_m t$, where $\omega_m = 2\pi f_m$. Then

$$i = aV_c \sin \omega_c t + aV_m \sin \omega_m t + bV_c^2 \sin^2 \omega_c t + 2bV_c V_m \sin \omega_c t \sin \omega_m t + bV_m^2 \sin^2 \omega_m t$$

Next, substituting the trigonometric identity $\sin^2 A = 0.5(1 - \cos 2A)$ into the preceding expression gives the expression for the current in the load resistor in Fig. 4-4:

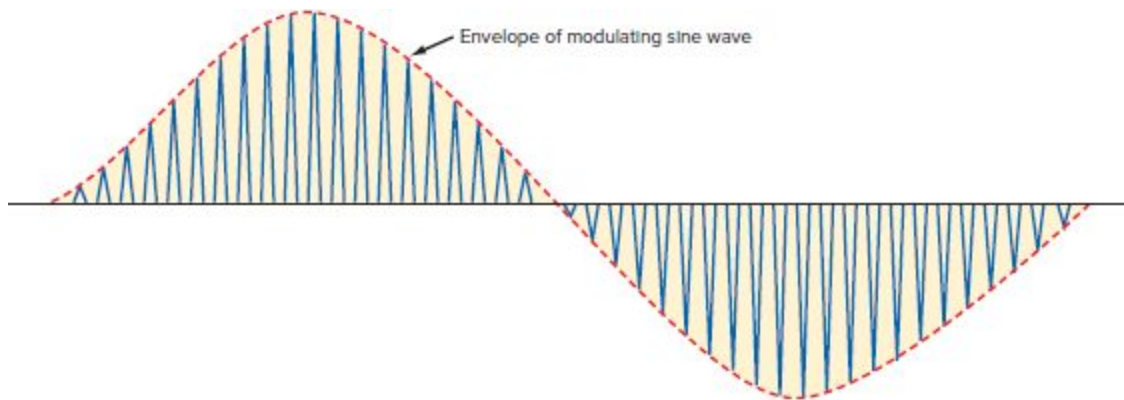
$$i = av_c \sin \omega_c t + av_m \sin \omega_m t + 0.5bv_c^2(1 - \cos 2\omega_c t) + 2bv_c v_m \sin \omega_c t \sin \omega_m t + 0.5bv_m^2(1 - \cos \omega_m t)$$

The first term is the carrier sine wave, which is a key part of the AM wave; the second term is the modulating signal sine wave. Normally, this is not part of the AM wave. It is substantially lower in frequency than the carrier, so it is easily filtered out. The fourth term, the product of the carrier and modulating signal sine waves, defines the AM wave. If we make the trigonometric substitutions explained in Chap. 3, we obtain two additional terms—the sum and difference frequency sine waves, which are, of course, the upper and lower sidebands. The third term $\cos 2\omega_c t$ is a sine wave at two times the frequency of the carrier, i.e., the second harmonic of the carrier. The term $\cos 2\omega_m t$ is the second harmonic of the modulating sine wave. These components are undesirable, but are relatively easy to filter out. Diodes and transistors whose function is not a pure square-law function produce third-, fourth-, and higher-order harmonics, which are sometimes referred to as *intermodulation products* and which are also easy to filter out.

Intermodulation product

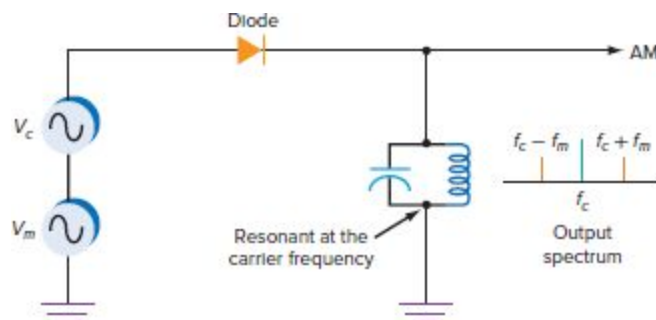
Fig. 4-4 shows both the circuit and the output spectrum for a simple diode modulator. The output waveform is shown in Fig. 4-5. This waveform is a normal AM wave to which the modulating signal has been added.

Figure 4-5 AM signal containing not only the carrier and sidebands but also the modulating signal.



If a parallel resonant circuit is substituted for the resistor in Fig. 4-4, the modulator circuit shown in Fig. 4-6 results. This circuit is resonant at the carrier frequency and has a bandwidth wide enough to pass the sidebands but narrow enough to filter out the modulating signal as well as the second- and higher-order harmonics of the carrier. The result is an AM wave across the tuned circuit.

Figure 4-6 The tuned circuit filters out the modulating signal and carrier harmonics, leaving only the carrier and sidebands.



This analysis applies not only to AM but also to frequency translation devices such as mixers, product detectors, phase detectors, balanced modulators, and other heterodyning circuits. In fact, it applies to any device or circuit that has a square-law function. It explains how sum and difference frequencies are formed and also explains why most mixing and modulation in any nonlinear circuit are accompanied by

undesirable components such as harmonics and intermodulation products.

4-2 Amplitude Modulators

Amplitude modulators are generally one of two types: low level or high level. Low-level modulators generate AM with small signals and thus must be amplified considerably if they are to be transmitted. High-level modulators produce AM at high power levels, usually in the final amplifier stage of a transmitter. Although the discrete component circuits discussed in the following sections are still used to a limited extent, keep in mind that today most amplitude modulators and demodulators are in integrated-circuit form.

Low-Level AM

Low-level AM

Diode Modulator. One of the simplest amplitude modulators is the *diode modulator* described in Sec. 4-1. The practical implementation shown in Fig. 4-7 consists of a resistive mixing network, a diode rectifier, and an *LC* tuned circuit. The carrier (Fig. 4-8*b*) is applied to one input resistor and the modulating signal (Fig. 4-8*a*) to the other. The mixed signals appear across R_3 . This network causes the two signals to be linearly mixed, i.e., algebraically added. If both the carrier and the modulating signal are sine waves, the waveform resulting at the junction of the two resistors will be like that shown in Fig. 4-8(*c*), where the carrier wave is riding on the modulating signal. This signal is not AM. Modulation is a multiplication process, not an addition process.

Diode modulator

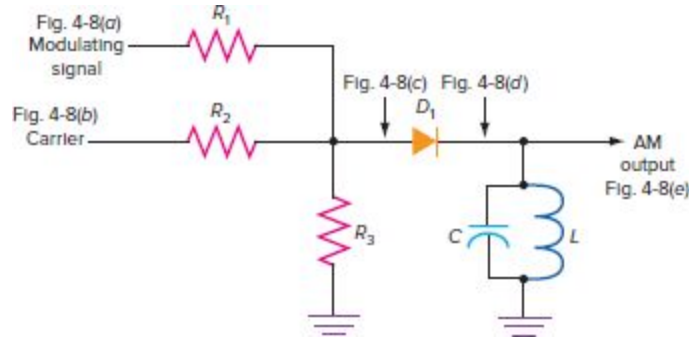
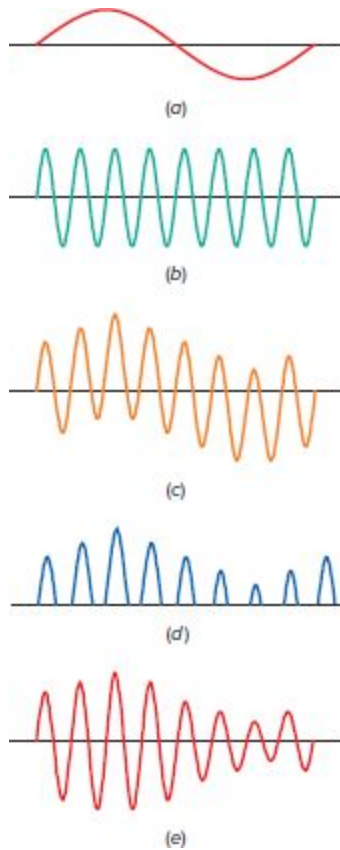


Figure 4-8 Waveforms in the diode modulator. (a) Modulating signal. (b) Carrier. (c) Linearly mixed modulating signal and carrier. (d) Positive-going signal after diode D_1 . (e) Am output signal.



The composite waveform is applied to a diode rectifier. The diode is connected so that it is forward-biased by the positive-going half-cycles of the input wave. During the negative portions of the wave, the diode is cut off and no

signal passes. The current through the diode is a series of positive-going pulses whose amplitude varies in proportion to the amplitude of the modulating signal [see Fig. 4-8(d)].

These positive-going pulses are applied to the page 125 parallel-tuned circuit made up of L and C , which are resonant at the carrier frequency. Each time the diode conducts, a pulse of current flows through the tuned circuit. The coil and capacitor repeatedly exchange energy, causing an oscillation, or “ringing,” at the resonant frequency. The oscillation of the tuned circuit creates one negative half-cycle for every positive input pulse. High-amplitude positive pulses cause the tuned circuit to produce high-amplitude negative pulses. Low-amplitude positive pulses produce corresponding low-amplitude negative pulses. The resulting waveform across the tuned circuit is an AM signal, as Fig. 4-8(e) illustrates. The Q of the tuned circuit should be high enough to eliminate the harmonics and produce a clean sine wave and to filter out the modulating signal, and low enough that its bandwidth accommodates the sidebands generated.

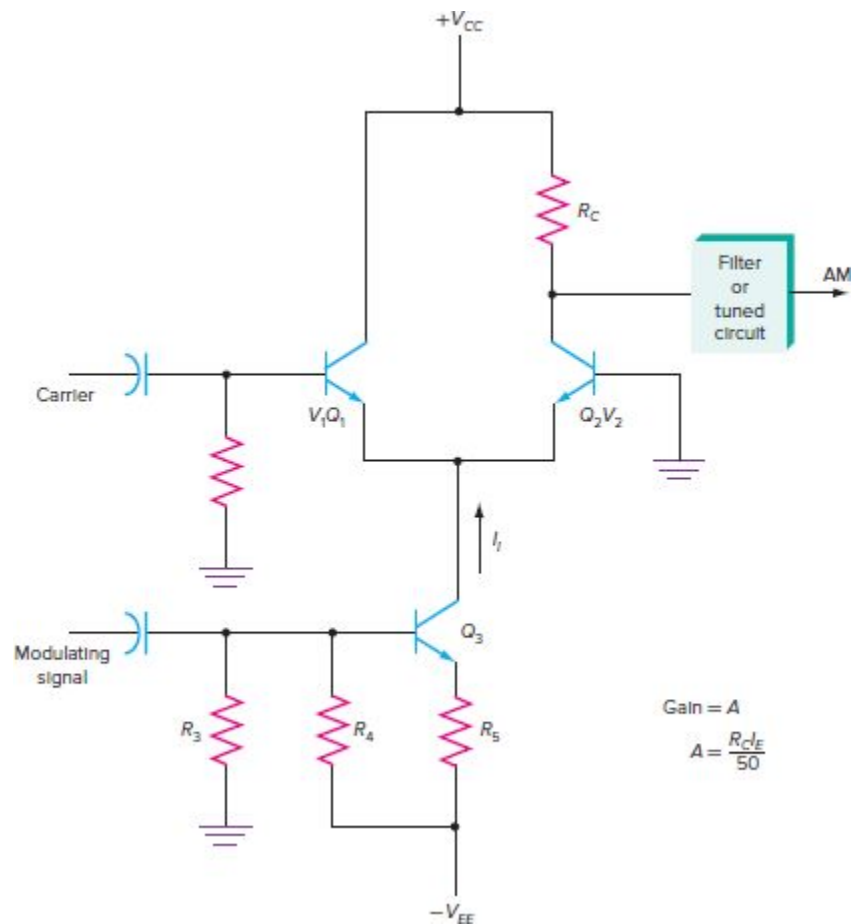
This circuit produces high-quality AM, but the amplitudes of the signals are critical to proper operation. Because the nonlinear portion of the diode’s characteristic curve occurs only at low voltage levels, signal levels must be low, less than a volt, to produce AM. At higher voltages, the diode current response is nearly linear. The circuit works best with millivolt-level signals.

Transistor Modulator. An improved version of the circuit just described in Fig. 4-7 can be created by substituting the emitter-base junction of a bipolar transistor for the diode. The tuned circuit is connected in series with the collector. The circuit operation is the same, but the transistor provides gain. The output is a classic AM wave.

Transistor modulator

Differential Amplifier. A differential amplifier modulator makes an excellent amplitude modulator. A typical circuit is shown in Fig. 4-9. Transistors Q_1 and Q_2 form the differential pair, and Q_3 is a current source that supplies emitter current I_E to Q_1 and Q_2 , one-half of which flows in each transistor. The output is developed across the collector resistor R_C .

Figure 4-9 Differential amplifier modulator.



Differential amplifier modulator

The output is a function of the difference between page 126 inputs V_1 and V_2 ; that is, $V_{out} = A(V_2 - V_1)$, where A is the circuit gain. The amplifier can also be operated with a single input as shown. When this is done, the other input is grounded or set to zero. In Fig. 4-9, if V_1 is zero, the output is

$V_{out} = A(V_2)$. If V_2 is zero, the output is $V_{out} = A(-V_1) = -AV_1$. This means that the circuit inverts V_1 .

The output voltage is taken from the collector of Q_2 .

No special biasing circuits are needed, since the correct value of collector current is supplied directly by the constant-current source Q_3 in Fig. 4-9. Resistors R_3 , R_4 , and R_5 , along with V_{EE} , bias the constant-current source Q_3 . With no inputs applied, the current in Q_1 equals the current in Q_2 , which is $I_E/2$. The balanced output at this time is zero. The circuit formed by R_1 and Q_1 and R_2 and Q_2 is a *bridge circuit*. When no inputs are applied, R_1 equals R_2 , and Q_1 and Q_2 conduct equally. Therefore, the bridge is balanced and the output between the collectors is zero.

Bridge circuit

Now, if an input signal V_1 is applied to Q_1 , the conduction of Q_1 and Q_2 is affected. Increasing the voltage at the base of Q_1 increases the collector current in Q_1 and decreases the collector current in Q_2 by an equal amount, so that the two currents sum to I_E . Decreasing the input voltage on the base of Q_1 decreases the collector current in Q_1 but increases it in Q_2 . The sum of the emitter currents is always equal to the current supplied by Q_3 .

The gain of a differential amplifier is a function of the emitter current and the value of the collector resistors. An approximation of the gain is given by the expression $A = R_C I_E / 50$. This is the single-ended gain, where the output is taken from one of the collectors with respect to ground.

GOOD TO KNOW

Differential amplifiers make excellent amplitude modulators because they have a high gain and good linearity and can be 100 percent modulated.

Resistor R_C is the collector resistor value in ohms, and I_E is the emitter current in milliamperes. If $R_C = R_1 = R_2 = 4.7 \text{ k}\Omega$ and

$I_E = 1.5 \text{ mA}$, the gain will be about $A = 4700(1.5)/50 = 7050/50 = 141$.

In most differential amplifiers, both R_C and I_E are fixed, providing a constant gain. But as the formula above shows, the gain is directly proportional to the emitter current. Thus if the emitter current can be varied in accordance with the modulating signal, the circuit will produce AM. This is easily done by applying the modulating signal to the base of the constant-current source Q_3 . As the intelligence signal varies, it varies the emitter current. This changes the gain of the circuit, amplifying the carrier by an amount determined by the modulating signal amplitude. The result is AM in the output.

This circuit, like the basic diode modulator, has the modulating signal in the output in addition to the carrier and sidebands. The modulating signal can be removed by using a simple high-pass filter on the output, since the carrier and sideband frequencies are usually much higher than that of the modulating signal. A bandpass filter centered on the carrier with sufficient bandwidth to pass the sidebands can also be used. A parallel-tuned circuit in the collector of Q_2 replacing R_C can be used.

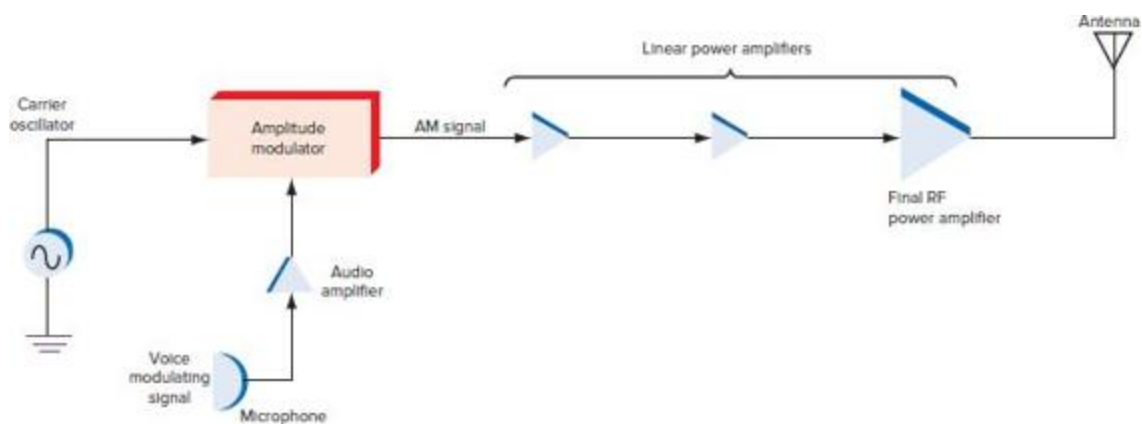
The differential amplifier makes an excellent amplitude modulator. It has a high gain and good linearity, and it can be modulated 100 percent. And if high-frequency transistors or a high-frequency IC differential amplifier is used, this circuit can be used to produce low-level modulation at frequencies well into the hundreds of megahertz. MOSFETs may be used in place of the bipolar transistors to produce a similar result in ICs.

Low- and High-Level AM

In low-level modulator circuits such as those discussed above, the signals are generated at very low voltage and power amplitudes. The voltage is typically less than 1 V, and

the power is in milliwatts. In systems using low-level modulation, the AM signal is applied to one or more linear amplifiers, as shown in Fig. 4-10, to increase its power level without distorting the signal. These amplifier circuits—class A, class AB, or class B—raise the level of the signal to the desired power level before the AM signal is fed to the antenna.

Figure 4-10 Low-level modulation systems use linear power amplifiers to increase the AM signal level before transmission.



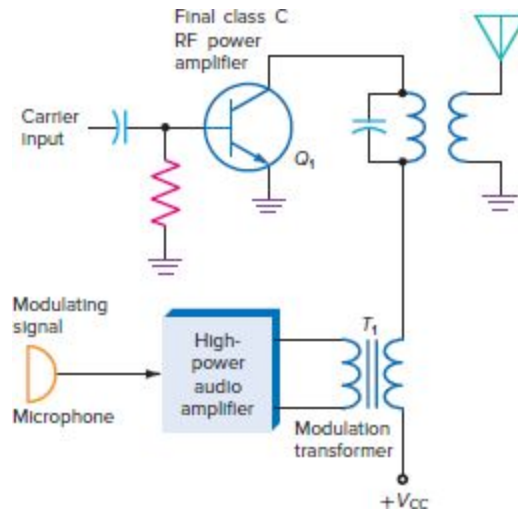
High-Level AM. In high-level AM, the modulator varies the voltage and power in the final RF amplifier stage of the transmitter. The result is high efficiency in the RF amplifier and overall high-quality performance.

High-level AM

Collector Modulator. One example of a high-level [page 127](#) modulator circuit is the *collector modulator* shown in Fig. 4-11. The output stage of the transmitter is a high-power class C amplifier. Class C amplifiers conduct for only a portion of the positive half-cycle of their input signal. The collector current pulses cause the tuned circuit to oscillate (ring) at the desired output frequency. The tuned circuit, therefore, reproduces the negative portion of the carrier signal (see Chap. 7 for more details).

Collector modulator

Figure 4-11 A high-level collector modulator.



The modulator is a linear power amplifier that takes the low-level modulating signal and amplifies it to a high power level. The modulating output signal is coupled through modulation transformer T_1 to the class C amplifier. The secondary winding of the modulation transformer is connected in series with the collector supply voltage V_{CC} of the class C amplifier.

With a zero-modulation input signal, there is zero-modulation voltage across the secondary of T_1 , the collector supply voltage is applied directly to the class C amplifier, and the output carrier is a steady sine wave.

When the modulating signal occurs, the ac voltage of the modulating signal across the secondary of the modulation transformer is added to and subtracted from the dc collector supply voltage. This varying supply voltage is then applied to the class C amplifier, causing the amplitude of the current pulses through transistor Q_1 to vary. As a result, the amplitude of the carrier sine wave varies in accordance with the modulated signal. When the modulation signal goes positive, it adds to the collector supply voltage, thereby increasing its value and causing higher current pulses and a higher-amplitude carrier. When the modulating signal goes negative, it subtracts from the collector supply voltage, decreasing it. For that reason, the class C amplifier current pulses are smaller, resulting in a lower-amplitude carrier output.

For 100 percent modulation, the peak of the page 128 modulating signal across the secondary of T_1 must be equal to the supply voltage. When the positive peak occurs, the voltage applied to the collector is twice the collector supply voltage. When the modulating signal goes negative, it subtracts from the collector supply voltage. When the negative peak is equal to the supply voltage, the effective voltage applied to the collector of Q_1 is zero, producing zero carrier output.

In practice, 100 percent modulation cannot be achieved with the high-level collector modulator circuit shown in Fig. 4-11 because of the transistor's nonlinear response to small signals. To overcome this problem, the amplifier driving the final class C amplifier is collector-modulated simultaneously.

High-level modulation produces the best type of AM, but it requires an extremely high-power modulator circuit. In fact, for 100 percent modulation, the power supplied by the modulator must be equal to one-half the total class C amplifier input power. If the class C amplifier has an input

power of 1000 W, the modulator must be able to deliver one-half this amount, or 500 W.

Example 4-1

An AM transmitter uses high-level modulation of the final RF power amplifier, which has a dc supply voltage V_{CC} of 48 V with a total current I of 3.5 A. The efficiency is 70 percent.

- a. What is the RF input power to the final stage?

$$\text{DC input power} = P_i = V_{CC}I \quad P = 48 \times 3.5 = 168 \text{ W}$$

- b. How much AF power is required for 100 percent modulation? (*Hint: For 100 percent modulation, AF modulating power P_m is one-half the input power.*)

$$P_m = \frac{P_i}{2} = \frac{168}{2} = 84 \text{ W}$$

- c. What is the carrier output power?

$$\begin{aligned} \% \text{ efficiency} &= \frac{P_{\text{out}}}{P_{\text{in}}} \times 100 \\ P_{\text{out}} &= \frac{\% \text{ efficiency} \times P_{\text{in}}}{100} = \frac{70(168)}{100} = 117.6 \text{ W} \end{aligned}$$

- d. What is the power in one sideband for 67 percent modulation?

$$\begin{aligned} P_s &= \text{sideband power} \\ P_s &= \frac{P_c(m^2)}{4} \\ m &= \text{modulation percentage (\%)} = 0.67 \\ P_c &= 168 \\ P_s &= \frac{168(0.67)^2}{4} = 18.85 \text{ W} \end{aligned}$$

- e. What is the maximum and minimum dc supply voltage swing with 100 percent modulation?

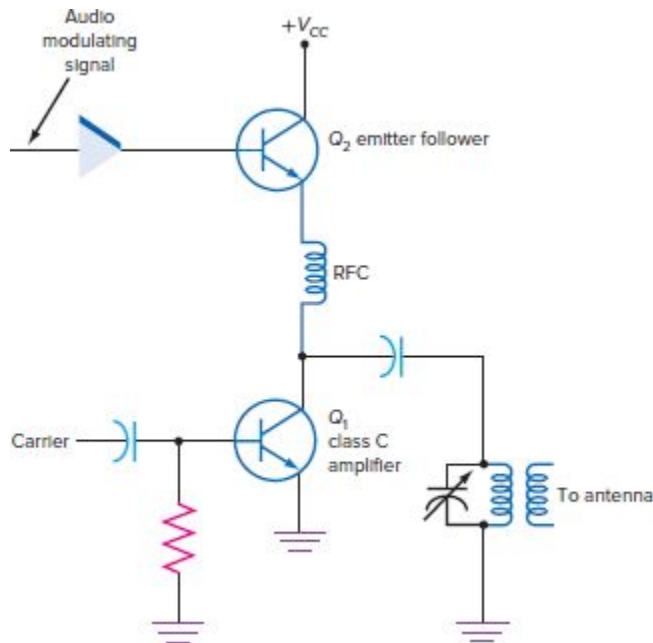
$$\begin{aligned}\text{Minimum swing} &= 0 \\ \text{Supply voltage } v_{CC} &= 48 \text{ V} \\ \text{Maximum swing } 2 \times V_{CC} &= 2 \times 48 = 96 \text{ V}\end{aligned}$$

Series Modulator. A major disadvantage of page 129 collector modulators is the need for a modulation transformer that connects the audio amplifier to the class C amplifier in the transmitter. The higher the power, the larger and more expensive the transformer. For very high power applications, the transformer is eliminated and the modulation is accomplished at a lower level with one of the many modulator circuits described in previous sections. The resulting AM signal is amplified by a high-power linear amplifier. This arrangement is not preferred because linear RF amplifiers are less efficient than class C amplifiers.

Series modulator

One approach is to use a transistorized version of a collector modulator in which a transistor is used to replace the transformer, as in Fig. 4-12. This series modulator replaces the transformer with an emitter follower. The modulating signal is applied to the emitter follower Q_2 , which is an audio power amplifier. Note that the emitter follower appears in series with the collector supply voltage $+V_{CC}$. This causes the amplified audio modulating signal to vary the collector supply voltage to the class C amplifier Q_1 . And Q_2 simply varies the supply voltage to Q_1 . If the modulating signal goes positive, the supply voltage to Q_1 increases; thus, the carrier amplitude increases in proportion to the modulating signal. If the modulating signal goes negative, the supply voltage to Q_1 decreases, thereby decreasing the carrier amplitude in proportion to the modulating signal. For 100 percent modulation, the emitter follower can reduce the supply voltage to zero on maximum negative peaks.

Figure 4-12 Series modulation. Transistors may also be MOSFETs with appropriate biasing.



Using this high-level modulating scheme eliminates the need for a large, heavy, and expensive transformer, and considerably improves frequency response. However, it is very inefficient. The emitter-follower modulator must dissipate as much power as the class C RF amplifier. For example, assume a collector supply voltage of 24 V and a collector current of 0.5 A. With no modulating signal applied, the percentage of modulation is 0. The emitter follower is biased so that the base and the emitter are at a dc voltage of about one-half the supply voltage, or in this example 12 V. The collector supply voltage on the class C amplifier is 12 V, and the input power is therefore

$$P_{in} = V_{cc}I_c = 12(0.5) = 6 \text{ W}$$

To produce 100 percent modulation, the collector voltage on Q_1 must double, as must the collector current. This occurs on positive peaks of the audio input, as described above. At this time most of the audio signal appears at the emitter of

Q_1 ; very little of the signal appears between the emitter and collector of Q_2 , and so at 100 percent modulation, Q_2 dissipates very little power.

When the audio input is at its negative peak, the page 130 voltage at the emitter of Q_2 is reduced to 12 V. This means that the rest of the supply voltage, or another 12 V, appears between the emitter and collector of Q_2 . Since Q_2 must also be able to dissipate 6 W, it has to be a very large power transistor. The efficiency drops to less than 50 percent. With a modulation transformer, the efficiency is much greater, in some cases as high as 80 percent.

This arrangement is not practical for very high-power AM, but it does make an effective higher-level modulator for power levels below about 100 W.

ASK/OOK Modulators

First, we should understand that on-off-keying is a special case of ASK. Whereas OOK produces 100 percent modulation as it turns the carrier off and on, ASK uses different levels of carrier output for the binary 0 and 1 states. Binary 0 is not carrier off completely. To generate ASK, typical standard AM modulation techniques are used. Most ASK is strictly OOK, and that is what we cover here.

Like other AM modulator circuits, an OOK modulator can be implemented in many ways, but there are two basic approaches. The first is to simply switch the output of a sine wave carrier oscillator off and on. A second approach is to apply power to the carrier oscillator or cut it off. These simple measures are illustrated in Fig. 4-13.

Figure 4-13 Two methods of generating OOK.

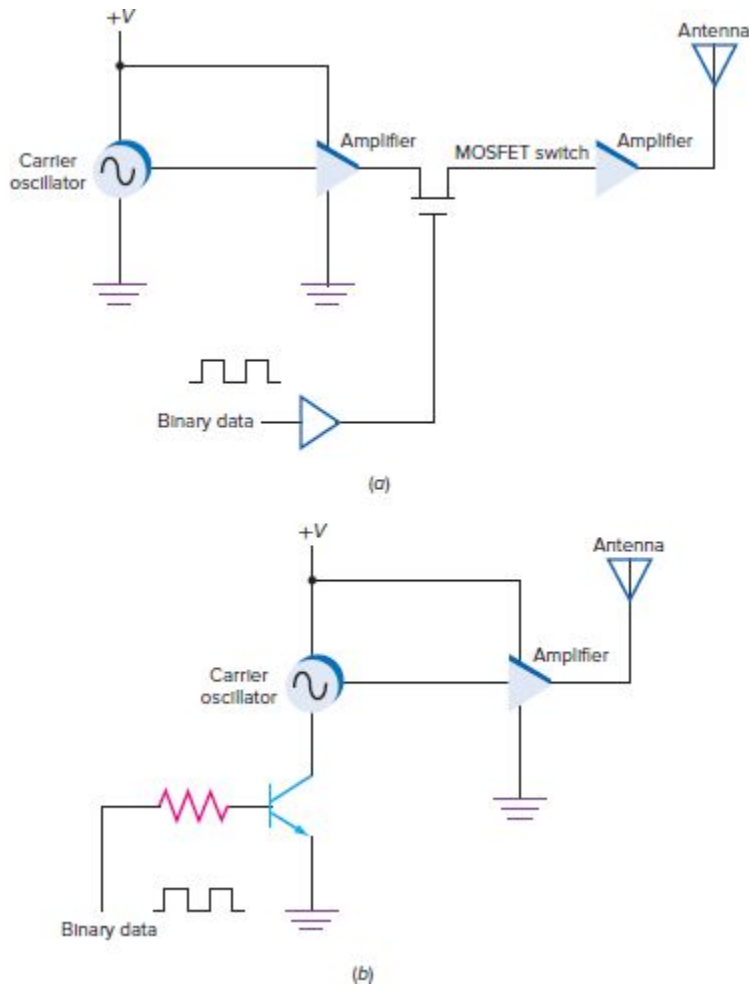


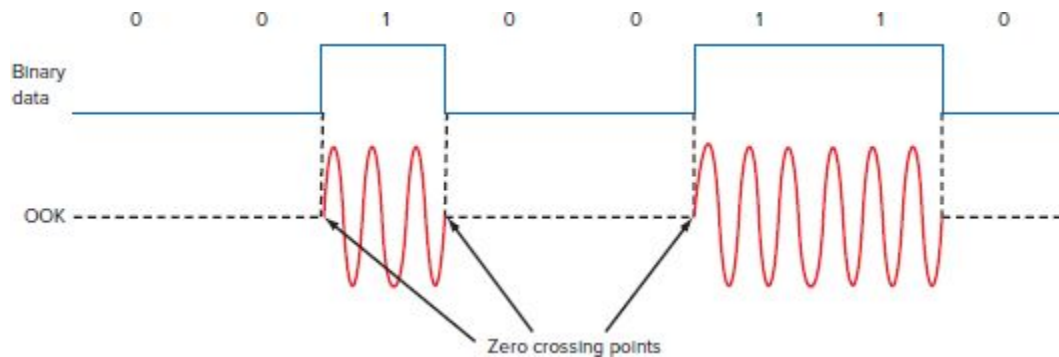
Fig. 4-13(a) shows a sine wave carrier oscillator page 131 with its DC power applied. The carrier output is amplified and sent to a MOSFET switch driven by the binary data signal. The MOSFET turns off and on allowing the carrier to be blocked or passed to the amplifier and antenna.

In Fig. 4-13(b), the carrier oscillator is connected to an amplifier and then to the antenna. A transistor is connected in series with the ground power lead of the oscillator. The data signal switches the transistor off and on to turn the oscillator off and on.

An ideal OOK signal looks like the one depicted in Fig. 4-14. Note that the sine wave starts and stops at the zero crossing points that correspond to the binary data switching

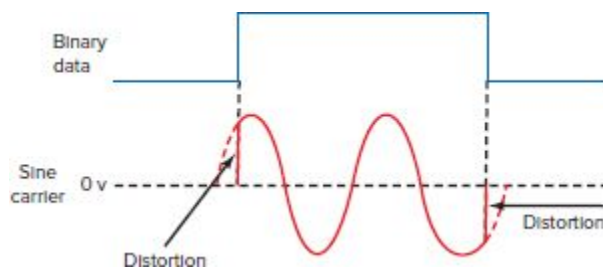
times. This is what is called a coherent ASK signal. For this to happen, the data bit pulse width must be some integer multiple of the carrier sine wave period.

Figure 4-14 Coherent OOK.



In practice, the data signal does not turn the sine wave off or on exactly at the zero crossing points (see Fig. 4-15), which creates a noncoherent OOK signal. This distortion produces glitches or transients at the beginning and end of the sine wave burst and produce additional unwanted harmonics. The problem is usually resolved by adding a low-pass or bandpass filter at the output that will remove these transients. This filter, of course, must have sufficient bandwidth to pass some of the harmonics and the sidebands to ensure that the shape of the data signal is not compromised.

Figure 4-15 Noncoherent OOK.



4-3 Amplitude Demodulators

Demodulators, or detectors, are circuits that accept modulated signals and recover the original modulating information. The demodulator circuit is the key circuit in any radio receiver. In fact, demodulator circuits can be used alone as simple radio receivers.

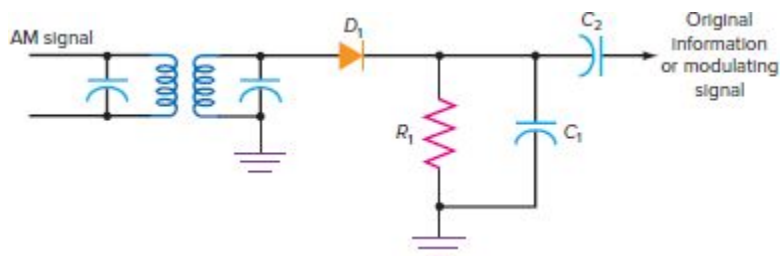
Demodulator (detector)

Diode Detectors

The simplest and most widely used amplitude demodulator is the *diode detector* (see Fig. 4-16). As shown, the AM signal is usually transformer-coupled and applied to a basic half wave rectifier circuit consisting of D_1 and R_1 . The diode conducts when the positive half-cycles of the AM signals occur. During the negative half-cycles, the diode is reverse-biased and no current flows through it. As a result, the voltage across R_1 is a series of positive pulses whose amplitude varies with the modulating signal. A capacitor C_1 is connected across resistor R_1 , effectively filtering out the carrier and thus recovering the original modulating signal.

Diode detector

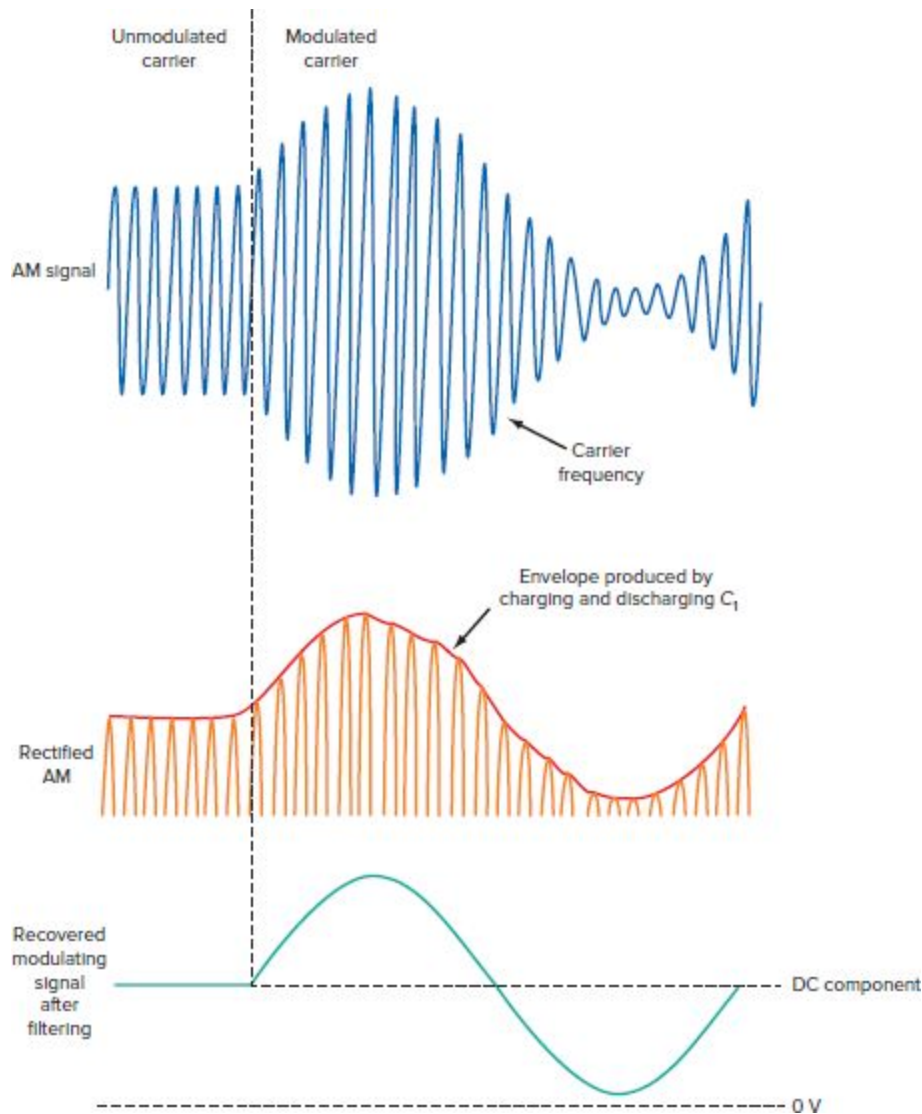
Figure 4-16 A diode detector AM demodulator.



One way to look at the operation of a diode detector is to analyze its operation in the time domain. The waveforms in

Fig. 4-17 illustrate this. On each positive alternation of the AM signal, the capacitor charges quickly to the peak value of the pulses passed by the diode. When the pulse voltage drops to zero, the capacitor discharges into resistor R_1 . The time constant of C_1 and R_1 is chosen to be long compared to the period of the carrier. As a result, the capacitor discharges only slightly during the time that the diode is not conducting. When the next pulse comes along, the capacitor again charges to its peak value. When the diode cuts off, the capacitor again discharges a small amount into the resistor. The resulting waveform across the capacitor is a close approximation to the original modulating signal.

Figure 4-17 Diode detector waveforms.



Because the capacitor charges and discharges, [page 133](#) the recovered signal has a small amount of ripple on it, causing distortion of the modulating signal. However, because the carrier frequency is usually many times higher than the modulating frequency, these ripple variations are barely noticeable.

Because the diode detector recovers the envelope of the AM signal, which is the original modulating signal, the circuit is sometimes referred to as an *envelope detector*. Distortion of the original signal can occur if the time constant of the load resistor R_1 and the shunt filter capacitor C_1 are too long

or too short. If the time constant is too long, the capacitor discharge will be too slow to follow the faster changes in the modulating signal. This is referred to as *diagonal distortion*. If the time constant is too short, the capacitor will discharge too fast and the carrier will not be sufficiently filtered out. The dc component in the output is removed with a series coupling or blocking capacitor, C_2 in Fig. 4-16, which is connected to an amplifier.

Envelope detector

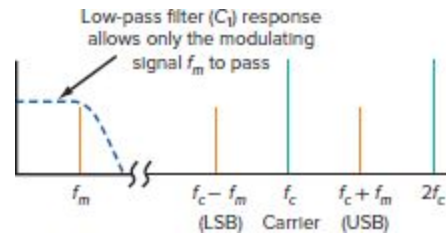
Diagonal distortion

Another way to view the operation of the diode detector is in the frequency domain. In this case, the diode is regarded as a nonlinear device to which are applied multiple signals where modulation will take place. The multiple signals are the carrier and sidebands, which make up the input AM signal to be demodulated. The components of the AM signal are the carrier f_c , the upper sideband $f_c + f_m$, and the lower sideband $f_c - f_m$. The diode detector circuit combines these signals, creating the sum and difference signals:

$$\begin{aligned}f_c + (f_c + f_m) &= 2f_c + f_m \\f_c - (f_c + f_m) &= -f_m \\f_c + (f_c - f_m) &= 2f_c - f_m \\f_c - (f_c - f_m) &= f_m\end{aligned}$$

All these components appear in the output. Since the carrier frequency is very much higher than that of the modulating signal, the carrier signal can easily be filtered out with a simple low-pass filter. In a diode detector, this low-pass filter is just capacitor C_1 across load resistor R_L . Removing the carrier leaves only the original modulating signal. The frequency spectrum of a diode detector is illustrated in Fig. 4-18. The low-pass filter, C_1 in Fig. 4-16, removes all but the desired original modulating signal.

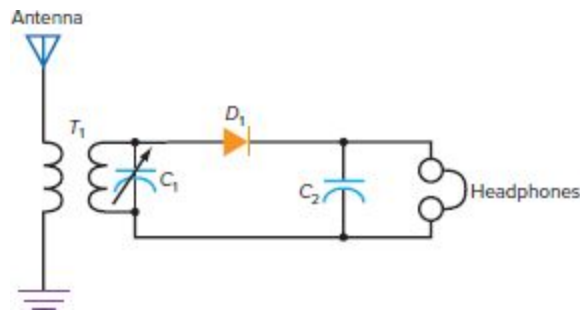
Figure 4-18 Output spectrum of a diode detector.



Crystal Radio Receivers

The crystal component of the *crystal radio receivers* that were widely used in the past is simply a diode. In Fig. 4-19 the diode detector circuit of Fig. 4-16 is redrawn, showing an antenna connection and headphones. A long wire antenna picks up the radio signal, which is inductively coupled to the secondary winding of T_1 , which forms a series resonant circuit with C_1 . Note that the secondary is not a parallel circuit, because the voltage induced into the secondary winding appears as a voltage source in series with the coil and capacitor. The variable capacitor C_1 is used to select a station. At resonance, the voltage across the capacitor is stepped up by a factor equal to the Q of the tuned circuit. This resonant voltage rise is a form of amplification. This higher-voltage signal is applied to the diode. The diode detector D_1 and its filter C_2 recover the original modulating information, which causes current flow in the headphones. The high-impedance headphones serve as the load resistance, and capacitor C_2 removes the carrier. The result is a simple radio receiver; reception is very weak because no active amplification is provided. A germanium diode (1N34A, 1N60, etc.) hot carrier or Schottky diode is used because their voltage thresholds are lower than that of a silicon diode and permits reception of weaker signals. Crystal radio receivers can receive high-power local standard AM broadcasts. And a long antenna (>100 feet) is usually needed.

Crystal radio receiver



ASK Demodulators. The simple diode detector circuit of Fig. 4-18 works reasonably well to convert the ASK signal back into the original data signal. The time constant of R_1 and C_1 should be adjusted for minimum distortion to the data. These components form a simple low-pass filter that can greatly round off the signal.

A superior demodulator is given in Fig. 4-19. An op amp connected as a half-wave rectifier amplifies the signal and passes only the positive or negative half-cycles. A low-pass filter C_F and R_F passes the recovered envelope of the signal. The goal is to fine-tune the filter so that it does not produce a rounded distorted data signal. An IC comparator is used to square up the recovered data signal. The 10k pot allows adjustment of the comparator threshold to produce the best output signal.

The circuits just described are asynchronous demodulators. If synchronous demodulation is required, the synchronous detection methods shown in Figs. 4-19, 4-20, and 4-21 can be used.

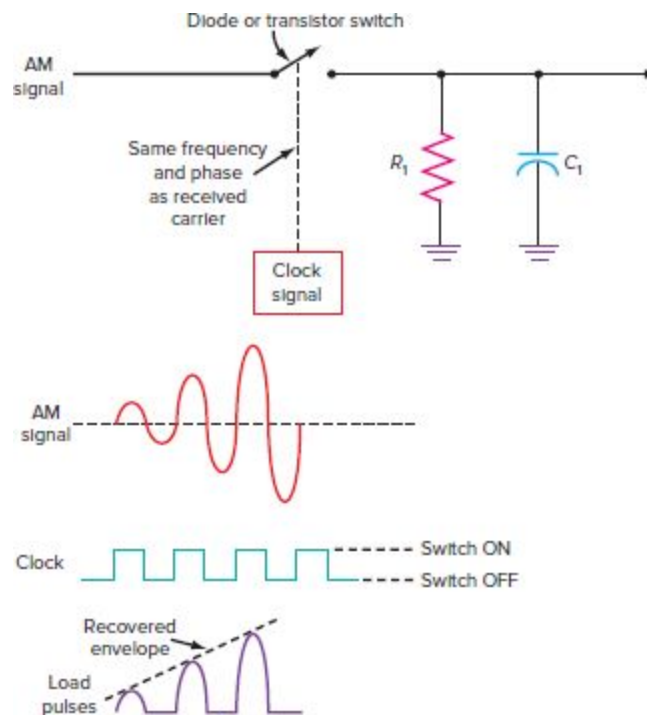
Synchronous Detection

Synchronous detector

Synchronous detectors use an internal clock signal at the carrier frequency in the receiver to switch the AM signal off

and on, producing rectification similar to that in a standard diode detector (see Fig. 4-20.) The AM signal is applied to a series switch that is opened and closed synchronously with the carrier signal. The switch is usually a diode or transistor that is turned on or off by an internally generated clock signal equal in frequency to and in phase with the carrier frequency. The switch in Fig. 4-20 is turned on by the clock signal during the positive half-cycles of the AM signal, which therefore appears across the load resistor. During the negative half-cycles of the AM signal, the clock turns the switch off, so no signal reaches the load or filter capacitor. The capacitor filters out the carrier.

Figure 4-20 Concept of a synchronous detector.

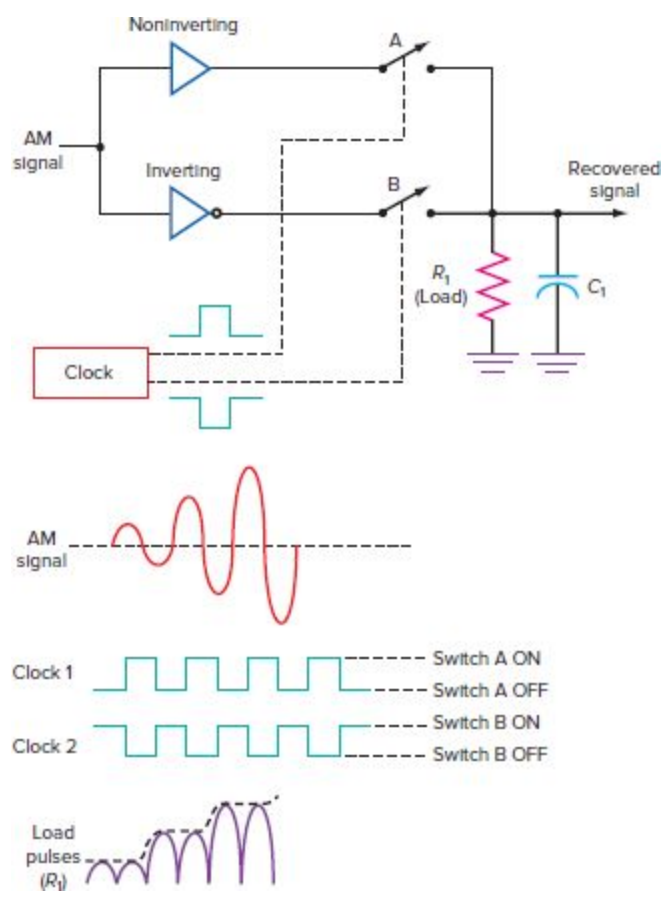


GOOD TO KNOW

Synchronous detectors or coherent detectors have less distortion and a better signal-to-noise ratio than standard diode detectors.

A full wave synchronous detector is shown in Fig. 4-21. The AM signal is applied to both inverting and noninverting amplifiers. The internally generated carrier signal operates two switches A and B. The clock turns A on and B off or turns B on and A off. This arrangement simulates an electronic single-pole, double-throw (SPDT) switch. During positive half-cycles of the AM signal, the A switch feeds the noninverted AM output of positive half-cycles to the load. During the negative half-cycles of the input, the B switch connects the output of the inverter to the load. The negative half-cycles are inverted, becoming positive, and the signal appears across the load. The result is full wave rectification of the signal.

Figure 4-21 A full wave synchronous detector.

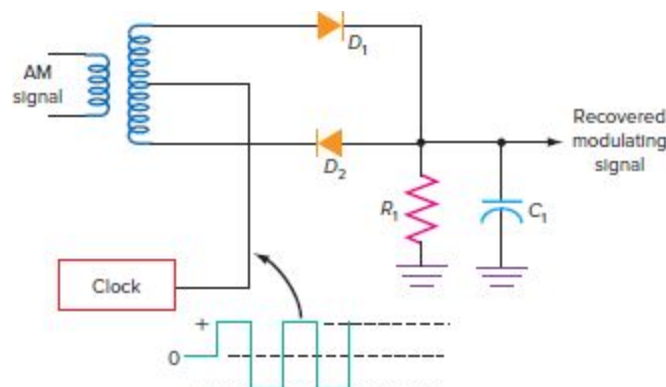


The key to making the synchronous detector work page 136 is to ensure that the signal producing the switching action is perfectly in phase with the received AM carrier. An internally generated carrier signal from, say, an oscillator will not work. Even though the frequency and phase of the switching signal might be close to those of the carrier, they would not be perfectly equal. However, there are a number of techniques, collectively referred to as *carrier recovery circuits*, that can be used to generate a switching signal that has the correct frequency and phase relationship to the carrier.

Carrier recovery circuit

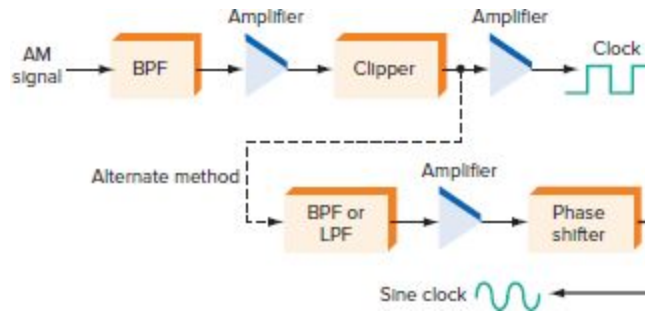
A practical synchronous detector is shown in Fig. 4-22. A center-tapped transformer provides the two equal but inverted signals. The carrier signal is applied to the center tap. Note that one diode is connected oppositely from the way it would be if used in a full wave rectifier. These diodes are used as switches, which are turned off and on by the clock, which is used as the bias voltage. The carrier is usually a square wave derived by clipping and amplifying the AM signal. When the clock is positive, diode D_1 is forward-biased. It acts as a short circuit and connects the AM signal to the load resistor. Positive half-cycles appear across the load.

Figure 4-22 A practical synchronous detector.



When the clock goes negative, D_2 is forward-biased. During this time, the negative cycles of the AM signal are occurring, which makes the lower output of the secondary winding positive. With D_2 conducting, the positive half-cycles are passed to the load, and the circuit performs full wave rectification. As before, the capacitor across the load filters out the carrier, leaving the original modulating signal across the load.

The circuit shown in Fig. 4-23 is one way to supply the carrier to the synchronous detector. The AM signal to be demodulated is applied to a highly selective bandpass filter that picks out the carrier and suppresses the sidebands, thus removing most of the amplitude variations. This signal is amplified and applied to a clipper or limiter that removes any remaining amplitude variations from the signal, leaving only the carrier. The clipper circuit typically converts the sine wave carrier into a square wave that is amplified and thus becomes the clock signal. In some synchronous detectors, the clipped carrier is put through another bandpass filter to get rid of the square wave harmonics and generate a pure sine wave carrier. This signal is then amplified and used as the clock. A small phase shifter may be introduced to correct for any phase differences that occur during the carrier recovery process. The resulting carrier signal is exactly the same frequency and phase as those of the original carrier, as it is indeed derived from it. The output of this circuit is applied to the synchronous detector. Some synchronous detectors use a phase-locked loop to generate the clock, which is locked to the incoming carrier.



Synchronous detectors are also referred to as *coherent detectors*, and were known in the past as homodyne detectors. Their main advantage over standard diode detectors is that they have less distortion and a better signal-to-noise ratio. They are also less prone to *selective fading*, a phenomenon in which distortion is caused by the weakening of a sideband on the carrier during transmission.

Selective fading

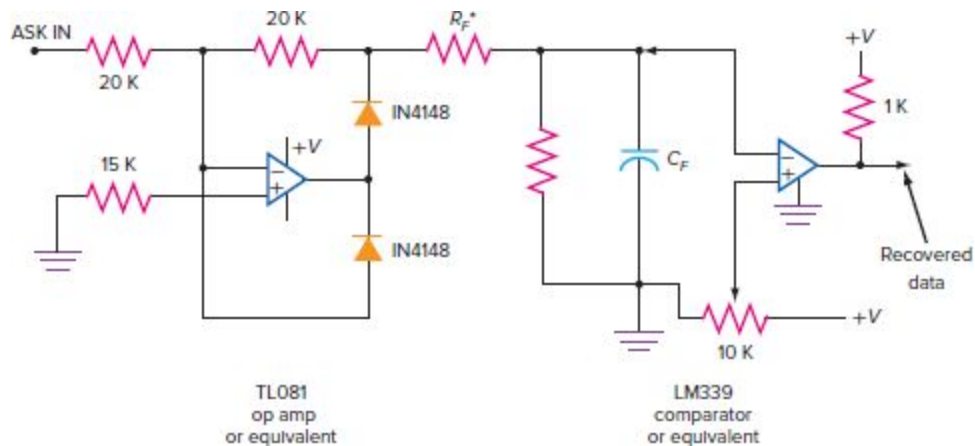
ASK/OOK Demodulators

The simple diode detector circuit of Fig. 4-16 works reasonably well to convert the ASK signal back into the original data signal. The time constant of R_1 and C_1 should be adjusted for minimum distortion to the data. C_1 forms a simple low-pass filter that can filter out some of the harmonics greatly rounding off the start and finish of the sine burst signal. At least some harmonics should pass so that the recovered signal will look like pulses.

A superior demodulator is given in Fig. 4-24. An op amp connected as a half-wave rectifier amplifies the signal and passes only the positive or negative half-cycles. A low-pass filter made up of R_F and C_F passes the recovered envelope of the signal. The goal is to fine-tune the values of R_F and C_F so that it does not overly filter the envelope producing a rounded distorted data signal. An IC comparator is used to square up the recovered data signal. The 10k pot allows

adjustment of the comparator threshold to produce the best output signal.

Figure 4-24 An improved high-frequency ASK demodulator.



4-4 Balanced Modulators

page 138

A *balanced modulator* is a circuit that generates a DSB signal, suppressing the carrier and leaving only the sum and difference sideband frequencies at the output. The output of a balanced modulator can be further processed by filters to eliminate one of the sidebands, resulting in an SSB signal.

Balanced modulator

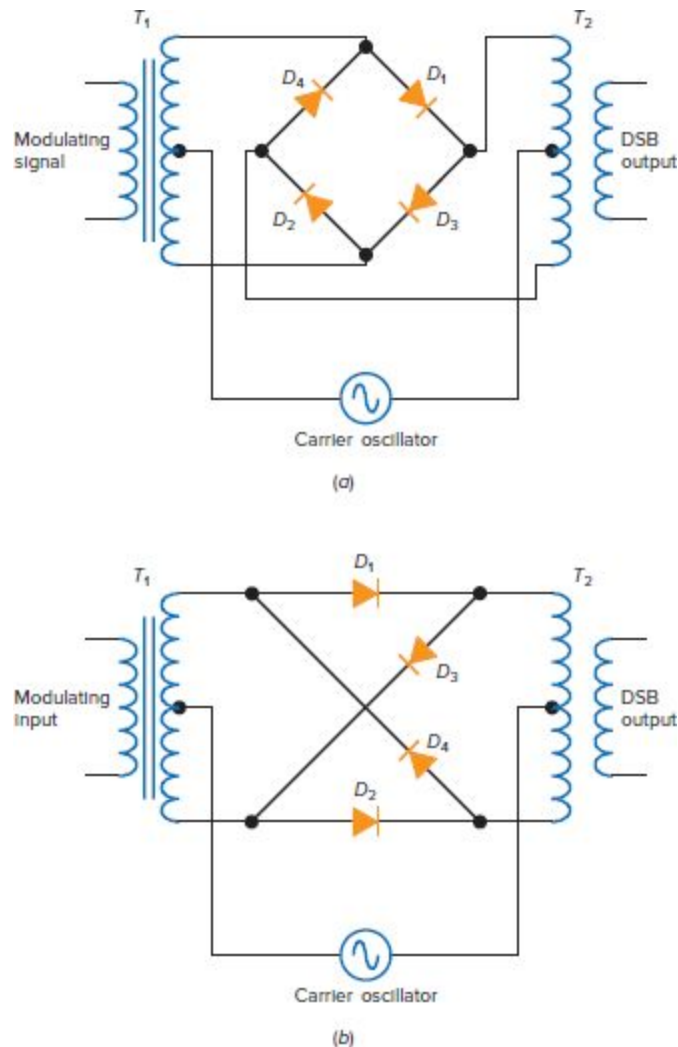
Lattice Modulators

One of the most popular and widely used balanced modulators is the diode ring or *lattice modulator* in Fig. 4-25, consisting of an input transformer T_1 , an output transformer T_2 , and four diodes connected in a bridge circuit. The carrier signal is applied to the center taps of the input and output transformers, and the modulating signal is applied to the input transformer T_1 . The output appears across the secondary of the output transformer T_2 . The

connections in Fig. 4-25(a) are the same as those in Fig. 4-25(b), but the operation of the circuit is perhaps more easily visualized as represented in part (b).

Lattice modulator (diode ring)

Figure 4-25 Lattice-type balanced modulator.



The operation of the lattice modulator is relatively simple. The carrier sine wave, which is usually considerably higher in frequency and amplitude than the modulating signal, is used as a source of forward and reverse bias for the diodes. The carrier turns the diodes off and on at a high rate of

speed, and the diodes act as switches that connect the modulating signal at the secondary of T_1 to the primary of T_2 .

Figs. 4-26 and 4-27 show how lattice modulators page 139 operate. Assume that the modulating input is zero. When the polarity of the carrier is positive, as illustrated in Fig. 4-27(a), diodes D_1 and D_2 are forward-biased. At this time, D_3 and D_4 are reverse-biased and act as open circuits. As you can see, current divides equally in the upper and lower portions of the primary winding of T_2 . The current in the upper part of the winding produces a magnetic field that is equal and opposite to the magnetic field produced by the current in the lower half of the secondary. The magnetic fields thus cancel each other out. No output is induced in the secondary, and the carrier is effectively suppressed.

Figure 4-26 Operation of the lattice modulator.

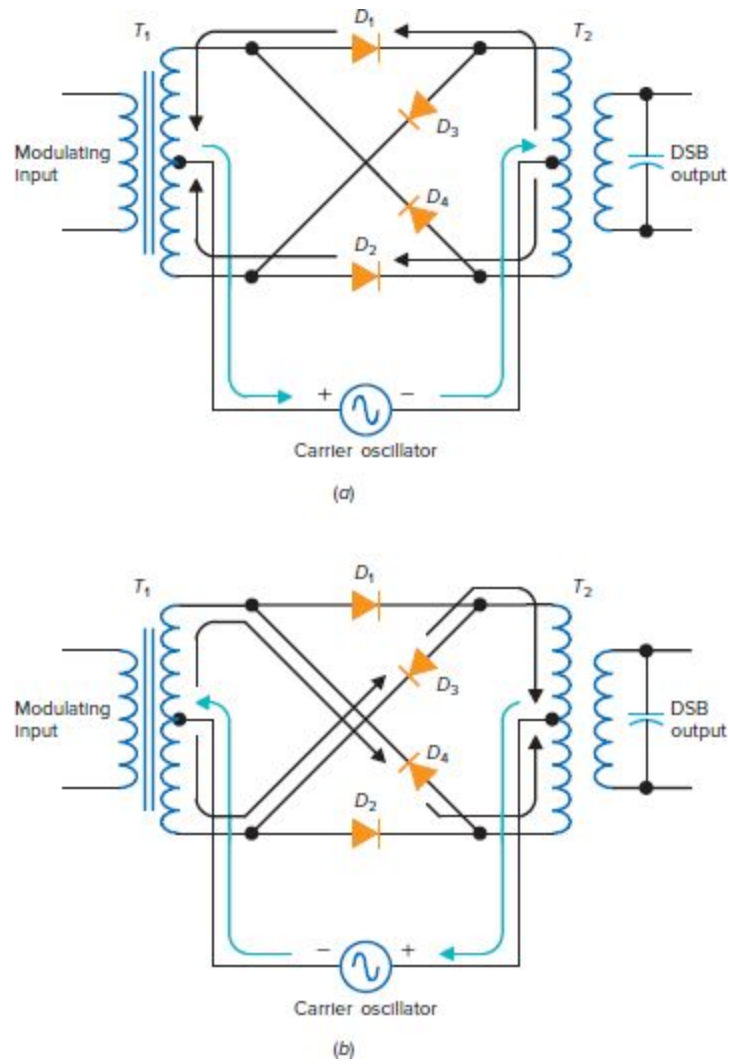
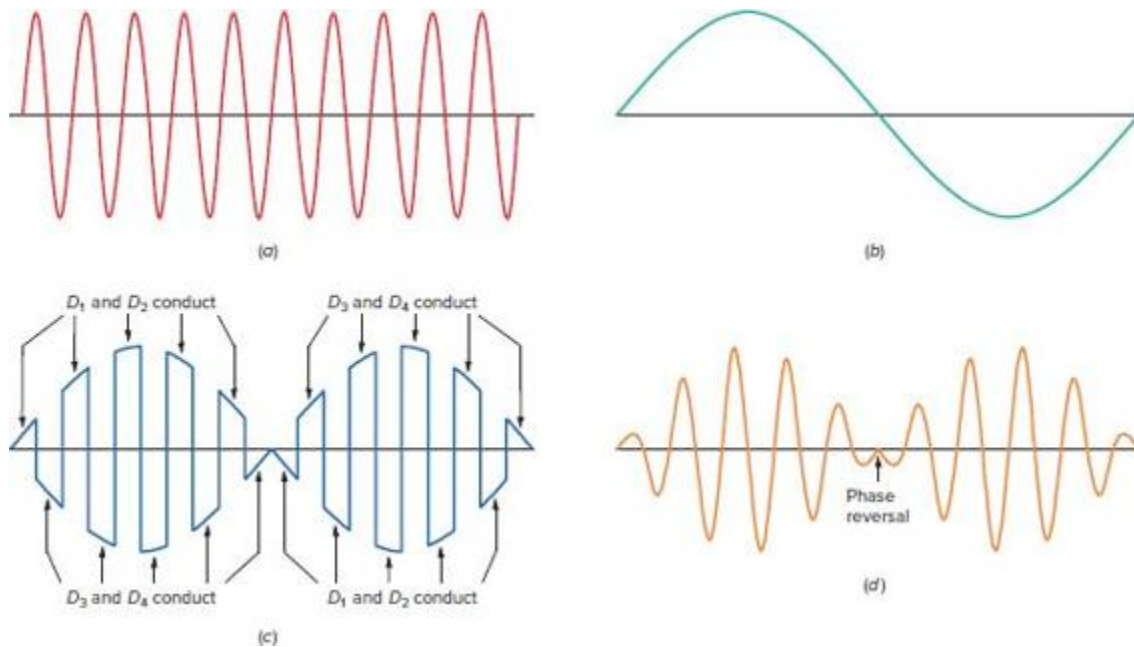


Figure 4-27 Waveforms in the lattice-type balanced modulator. (a) Carrier. (b) Modulating signal. (c) DSB signal—primary T_2 . (d) DSB output.



When the polarity of the carrier reverses, as shown in Fig. 4-27(b), diodes D_1 and D_2 are reverse-biased and diodes D_3 and D_4 conduct. Again, the current flows in the secondary winding of T_1 and the primary winding of T_2 . The equal and opposite magnetic fields produced in T_2 cancel each other out. The carrier is effectively balanced out, and its output is zero. The degree of carrier suppression depends on the degree of precision with which the transformers are made and the placement of the center tap: the goal is exactly equal upper and lower currents and perfect magnetic field cancellation. The degree of carrier attenuation also depends upon the diodes. The greatest carrier suppression occurs when the diode characteristics are perfectly matched. A carrier suppression of 40 dB is achievable with well-balanced components.

Now assume that a low-frequency sine wave is page 140 applied to the primary of T_1 as the modulating signal. The modulating signal appears across the secondary of T_1 . The diode switches connect the secondary of T_1 to the primary of T_2 at different times depending upon the carrier

polarity. When the carrier polarity is as shown in Fig. 4-27(a), diodes D_1 and D_2 conduct and act as closed switches. At this time, D_3 and D_4 are reverse-biased and are effectively not in the circuit. As a result, the modulating signal at the secondary of T_1 is applied to the primary of T_2 through D_1 and D_2 .

When the carrier polarity reverses, D_1 and D_2 cut off and D_3 and D_4 conduct. Again, a portion of the modulating signal at the secondary of T_1 is applied to the primary of T_2 , but this time the leads have been effectively reversed because of the connections of D_3 and D_4 . The result is a 180° phase reversal. With this connection, if the modulating signal is positive, the output will be negative, and vice versa.

In Fig. 4-27, the carrier is operating at a considerably higher frequency than the modulating signal. Therefore, the diodes switch off and on at a high rate of speed, causing portions of the modulating signal to be passed through the diodes at different times. The DSB signal appearing across the primary of T_2 is illustrated in Fig. 4-27(c). The steep rise and fall of the waveform are caused by the rapid switching of the diodes. Because of the switching action, the waveform contains harmonics of the carrier. Ordinarily, the secondary of T_2 is a resonant circuit as shown, and therefore the high-frequency harmonic content is filtered out, leaving a DSB signal like that shown in Fig. 4-27(d).

There are several important things to notice about this signal. First, the output waveform occurs at the carrier frequency. This is true even though the carrier has been removed. If two sine waves occurring at the sideband frequencies are added algebraically, the result is a sine wave signal at the carrier frequency with the amplitude variation shown in Fig. 4-27(c) or (d). Observe that the envelope of the output signal is *not* the shape of the modulating signal. Note also the phase reversal of the signal in the very center of the waveform, which is one indication that the signal being observed is a true DSB signal.

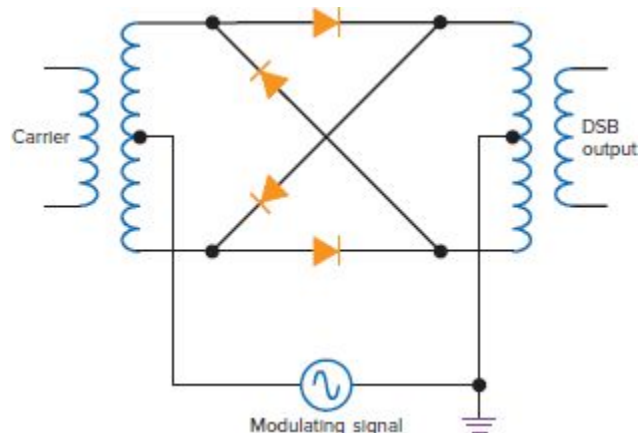
GOOD TO KNOW

In DSB and SSB, the carrier that was suppressed at the DSB and SSB transmitter must be reinserted at the receiver to recover the intelligence.

Although lattice modulators can be constructed of discrete components, they are usually available in a single module containing the transformers and diodes in a sealed package. The unit can be used as an individual component. The transformers are carefully balanced, and matched hot-carrier diodes are used to provide a wide operating frequency range and superior carrier suppression.

The diode lattice modulator shown in Fig. 4-26 [page 141](#) uses one low-frequency iron-core transformer for the modulating signal and an air-core transformer for the RF output. This is an inconvenient arrangement because the low-frequency transformer is large and expensive. More commonly, two RF transformers are used, as shown in Fig. 4-28, where the modulating signal is applied to the center taps of the RF transformers. The operation of this circuit is similar to that of other lattice modulators.

Figure 4-28 A modified version of the lattice modulator not requiring an iron-core transformer for the low-frequency modulating signal.



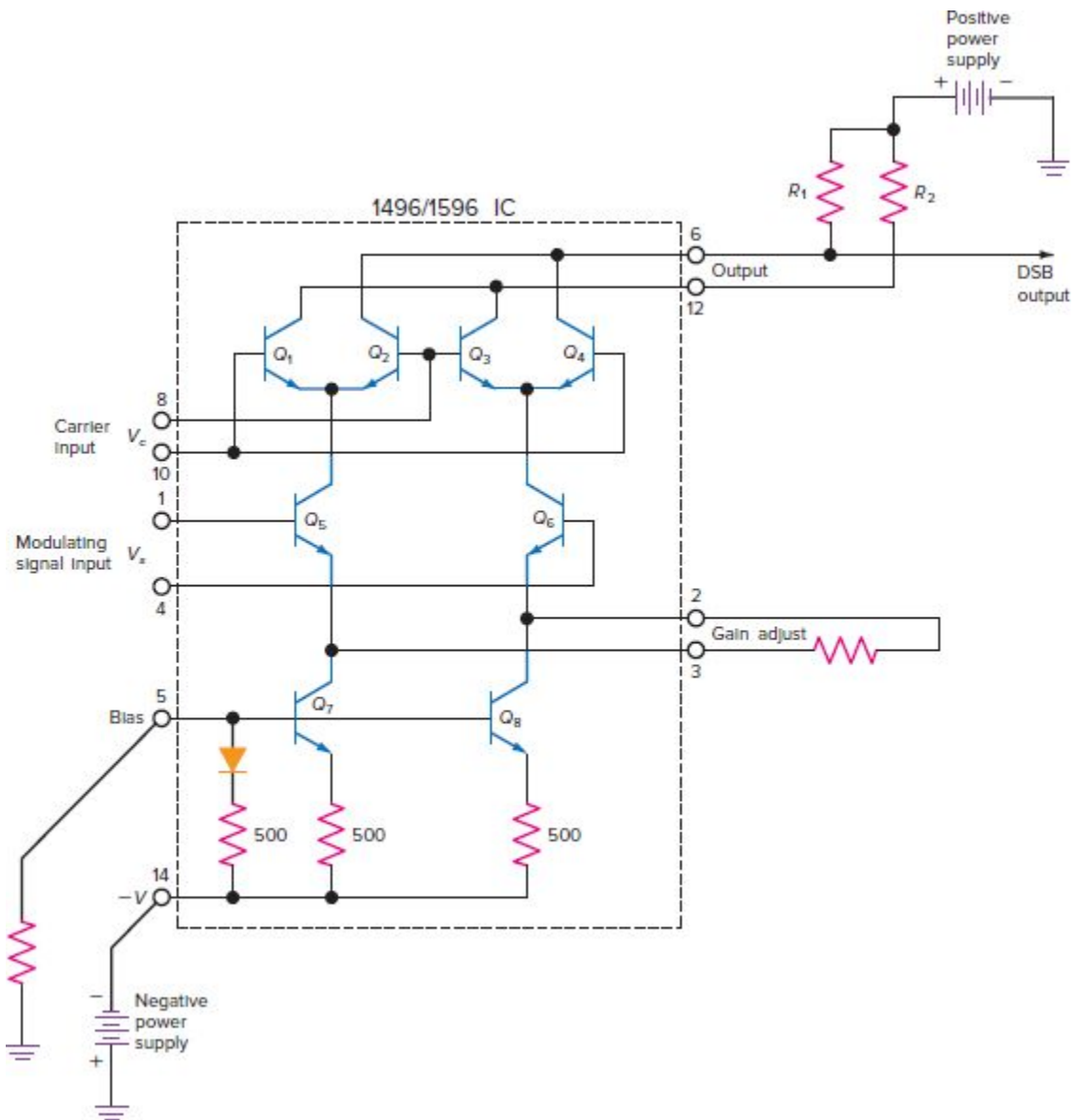
These modulators are widely used because of their simplicity. With matched diodes and transformers, carrier suppression can be as high as 60 dB. Furthermore, you do not need to build these circuits as they are available as complete modules, ready to use. They are called mixers as well as modulators.

IC Balanced Modulators

Another widely used balanced modulator circuit uses differential amplifiers. A typical example, the popular *1496/1596 IC balanced modulator*, is seen in Fig. 4-29. This circuit can work at carrier frequencies of up to approximately 100 MHz and can achieve a carrier suppression of 50 to 65 dB. The pin numbers shown on the inputs and outputs of the IC are those for a standard 14-pin dual in-line package (DIP) IC. The device is also available in a 10-lead metal can and several types of surface-mount packages.

1496/1596 IC balanced modulator

Figure 4-29 Integrated-circuit balanced modulator.



In Fig. 4-29, transistors Q_7 and Q_8 are constant-current sources that are biased with a single external resistor and the negative supply. They supply equal values of current to the two differential amplifiers. One differential amplifier is made up of $Q_1, Q_2,$ and $Q_5,$ and the other of $Q_3, Q_4,$ and $Q_6.$ The modulating signal is applied to the bases of Q_5 and $Q_6.$ These transistors are connected in the current paths to the differential transistors and vary the amplitude of the current in accordance with the modulating signal. The current in Q_5 is

180° out of phase with the current in Q_6 . As the current in Q_5 increases, the current through Q_6 decreases, and vice versa.

The differential transistors Q_1 through Q_4 , which are controlled by the carrier, operate as switches. When the carrier input is such that the lower input terminal is positive with respect to the upper input terminal, transistors Q_1 and Q_4 conduct and act as closed switches and Q_2 and Q_3 are cut off. When the polarity of the carrier signal reverses, Q_1 and Q_4 are cut off and Q_2 and Q_3 conduct, acting as closed switches. These differential transistors, therefore, serve the same switching purpose as the diodes in the lattice modulator circuit discussed previously. They switch the modulating signal off and on at the carrier rate.

Assume that a high-frequency carrier wave is applied to switching transistors Q_1 and Q_4 and that a low-frequency sine wave is applied to the modulating signal input at Q_5 and Q_6 . Assume that the modulating signal is positive-going so that the current through Q_5 increases while the current through Q_6 decreases. When the carrier polarity is positive, Q_1 and Q_4 conduct. As the current through Q_5 increases, the current through Q_1 and R_2 increases proportionately; therefore, the output voltage at the collector of Q_1 goes in a negative direction. As the current through Q_6 decreases, the current through Q_4 and R_1 decreases. Thus, the output voltage at the collector of Q_4 increases. When the carrier polarity reverses, Q_2 and Q_3 conduct. The increasing current of Q_5 is passed through Q_2 and R_1 , and therefore the output voltage begins to decrease. The decreasing current through Q_6 is now passed through Q_3 and R_2 , causing the output voltage to increase. The result of the carrier switching off and on and the modulating signal varying as indicated produces the classical DSB output signal described before [see Fig. 4-27(c)]. The signal at R_1 is the same as the signal at R_2 , but the two are 180° out of phase.

GOOD TO KNOW

The 1496 IC is one of the most versatile circuits available for communication applications. In addition to being a balanced modulator, it can be reconfigured to perform as an amplitude modulator, a product detector, or a synchronous detector. This IC has been around for years but is still useful. Newer devices are available but their operation is similar to that described here.

Applications for 1496/1596 ICs. The 1496 IC is one of the most versatile circuits available for communication applications. In addition to its use as a balanced modulator, it can be reconfigured to perform as an amplitude modulator or as a synchronous detector. In addition, there are other ICs like it. Some used MOSFETs instead of bipolar transistors. Similar circuits are also buried deep as part of a larger IC subsystem.

Analog Multiplier. Another type of IC that can be [page 143](#) used as a balanced modulator is the *analog multiplier*. Analog multipliers are often used to generate DSB signals. The primary difference between an IC balanced modulator and an analog multiplier is that the balanced modulator is a switching circuit. The carrier, which may be a rectangular wave, causes the differential amplifier transistors to turn off and on to switch the modulating signal. The analog multiplier uses differential amplifiers, but they operate in the linear mode. The carrier must be a sine wave, and the analog multiplier produces the true product of two analog inputs.

Analog multiplier

4-5 SSB Circuits

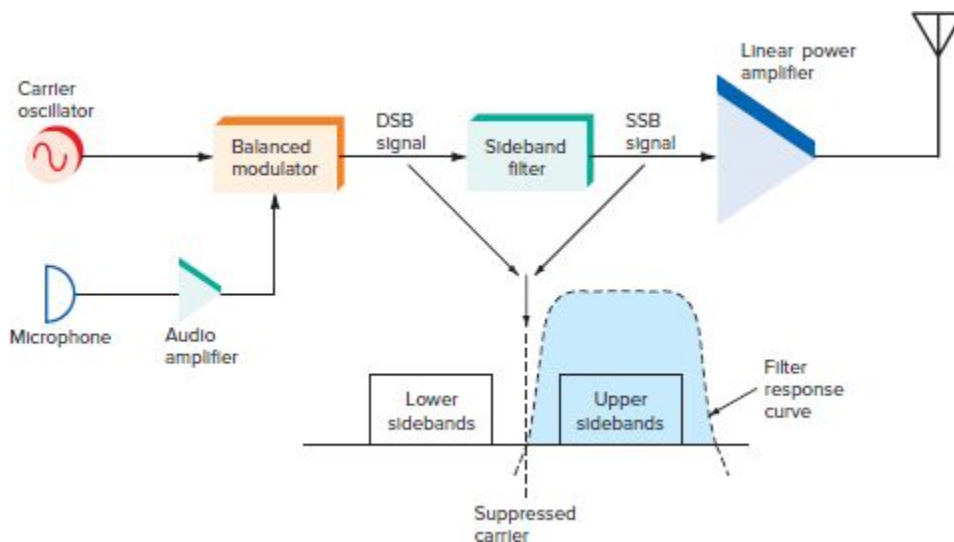
Generating SSB Signals: The Filter Method

The simplest and most widely used method of generating SSB signals is the filter method. Fig. 4-30 shows a general block diagram of an SSB transmitter using the filter method. The modulating signal, usually voice from a microphone, is applied to the audio amplifier, the output of which is fed to one input of a balanced modulator. A crystal oscillator provides the carrier signal, which is also applied to the balanced modulator. The output of the balanced modulator is a *double-sideband (DSB)* signal. An SSB signal is produced by passing the DSB signal through a highly selective bandpass filter that selects either the upper or lower sideband. A linear power amplifier produces the final SSB signal, which is transmitted via an antenna.

SSB circuit

Double-sideband (DSB)

Figure 4-30 An SSB transmitter using the filter method.



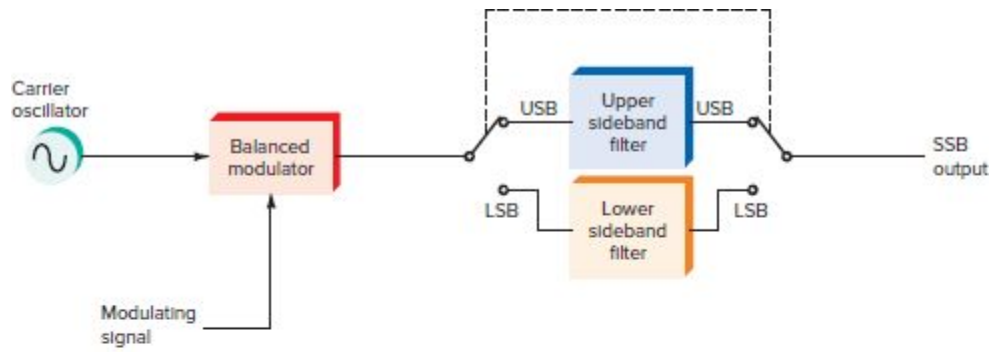
The primary requirement of the filter is, of course, that it pass only the desired sideband. Filters are usually designed with a bandwidth of approximately 2.5 to 3 kHz, making

them wide enough to pass only standard voice frequencies. The sides of the filter response curve are extremely steep, providing for excellent selectivity. Filters are fixed-tuned devices; i.e., the frequencies they can pass are not alterable. Therefore, the carrier oscillator frequency must be chosen so that the sidebands fall within the filter bandpass. Many commercially available filters are tuned to the 455-kHz, 3.35-MHz, or 9-MHz frequency ranges, although other frequencies are also used. Digital signal processing (DSP) filters are also used in modern equipment.

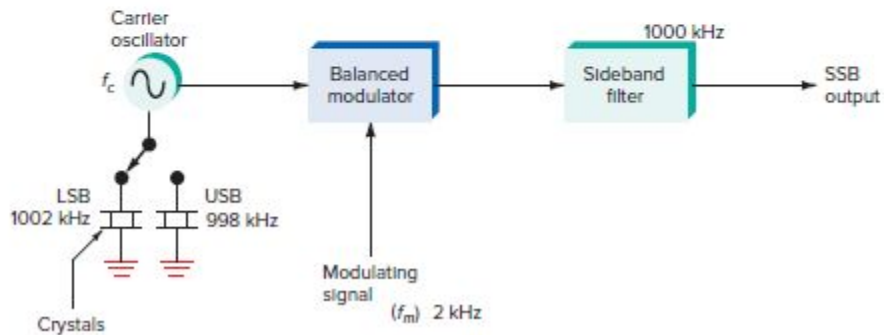
With the filter method, it is necessary to select page 144 either the upper or lower sideband. Since the same information is contained in both sidebands, it generally makes no difference which one is selected, provided that the same sideband is used in both transmitter and receiver. However, the choice of the upper or lower sideband as a standard varies from service to service, and it is necessary to know which has been used to properly receive an SSB signal.

There are two methods of sideband selection. Many transmitters simply contain two filters, one that will pass the upper sideband and another that will pass the lower sideband, and a switch is used to select the desired sideband [Fig. 4-31(a)]. An alternative method is to provide two carrier oscillator frequencies. Two crystals change the carrier oscillator frequency to force either the upper sideband or the lower sideband to appear in the filter bandpass [see Fig. 4-31(b)].

Figure 4-31 Methods of selecting the upper or lower sideband. (a) Two filters.
(b) Two carrier frequencies.



(a)



(b)

As an example, assume that a bandpass filter is fixed at 1000 kHz and the modulating signal f_m is 2 kHz. The balanced modulator generates the sum and difference frequencies. Therefore, the carrier frequency f_c must be chosen so that the USB or LSB is at 1000 kHz. The balanced modulator outputs are $USB = f_c + f_m$ and $LSB = f_c - f_m$.

To set the USB at 1000 kHz, the carrier must be $f_c + f_m = 1000$, $f_c + 2 = 1000$, and $f_c = 1000 - 2 = 998$ kHz. To set the LSB at 1000 kHz, the carrier must be $f_c - f_m = 1000$, $f_c - 2 = 1000$, and $f_c = 1000 + 2 = 1002$ kHz.

GOOD TO KNOW

The main applications for SSB are in amateur radio, citizen's band (CB) radio, military, and long-range marine radio.

Crystal filters, which are low in cost and relatively simple to design, are by far the most commonly used filters in SSB

transmitters. Their very high Q provides extremely good selectivity. Ceramic filters are used in some designs. Typical center frequencies are 455 kHz and 10.7 MHz. DSP filters are also used in contemporary designs.

Example 4-2

An SSB transmitter using the filter method of Fig. 4-30 operates at a frequency of 4.2 MHz. The voice frequency range is 300 to 3400 Hz.

- a. Calculate the upper and lower sideband ranges.

Upper sideband

$$\text{Lower limit } f_{LL} = f_c + 300 = 4,200,000 + 300 = 4,200,300 \text{ Hz}$$

$$\begin{aligned} \text{Upper limit } f_{UL} &= f_c + 3400 = 4,200,000 + 3400 \\ &= 4,203,400 \text{ Hz} \end{aligned}$$

$$\text{Range, USB} = 4,200,300 \text{ to } 4,203,400 \text{ Hz}$$

Lower sideband

$$\text{Lower limit } f_{LL} = f_c - 300 = 4,200,000 - 300 = 4,199,700 \text{ Hz}$$

$$\begin{aligned} \text{Upper limit } f_{UL} &= f_c - 3400 = 4,200,000 - 3400 \\ &= 4,196,600 \text{ Hz} \end{aligned}$$

$$\text{Range, LSB} = 4,196,600 \text{ to } 4,199,700 \text{ Hz}$$

- b. What should be the approximate center frequency of a bandpass filter to select the lower sideband? The equation for the center frequency of the lower sideband f_{LSB} is

$$f_{LSB} = \sqrt{f_{LL} f_{UL}} = \sqrt{4,196,600 \times 4,199,700} = 4,198,149.7 \text{ Hz}$$

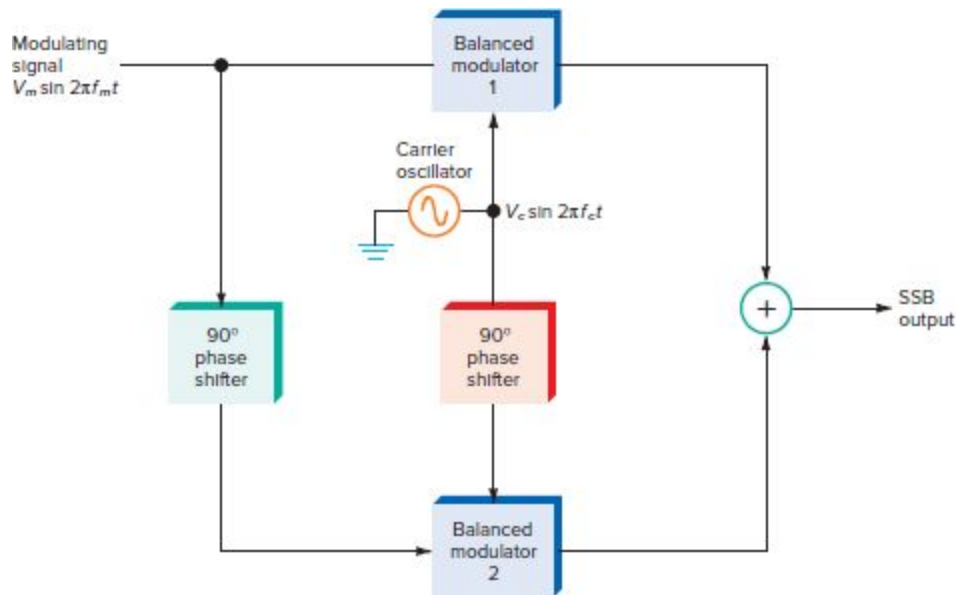
An approximation is

$$f_{LSB} = \frac{f_{LL} + f_{UL}}{2} = \frac{4,196,600 + 4,199,700}{2} = 4,198,150 \text{ Hz}$$

Generating SSB Signals: Phasing

The phasing method of SSB generation uses a phase-shift technique that causes one of the sidebands to be canceled out. A block diagram of a phasing-type SSB generator is shown in Fig. 4-32. It uses two balanced modulators, which effectively eliminate the carrier. The carrier oscillator is applied directly to the upper balanced modulator along with the audio modulating signal. The carrier and modulating signal are then both shifted in phase by 90° and applied to the second, lower, balanced modulator. The phase-shifting action causes one sideband to be canceled out when the two balanced modulator outputs are added to produce the output.

Figure 4-32 An SSB generator using the phasing method.



The carrier signal is $V_c \sin 2\pi f_c t$. The modulating signal is $V_m \sin 2\pi f_m t$. Balanced modulator 1 produces the product of these two signals: $(V_m \sin 2\pi f_m t)(V_c \sin 2\pi f_c t)$. Applying a common trigonometric identity

$$\sin A \sin B = 0.5[\cos(A - B) - \cos(A + B)]$$

we have

$$(V_m \sin 2\pi f_m t)(V_c \sin 2\pi f_c t) = 0.5V_m V_c [\cos(2\pi f_c - 2\pi f_m)t - \cos(2\pi f_c + 2\pi f_m)t]$$

Note that these are the sum and difference frequencies or the upper and lower sidebands.

It is important to remember that a cosine wave is simply a sine wave shifted by 90°; that is, it has exactly the same shape as a sine wave, but it occurs 90° earlier in time. A cosine wave *leads* a sine wave by 90°, and a sine wave *lags* a cosine wave by 90°.

The 90° phase shifters in Fig. 4-32 create cosine page 146 waves of the carrier and modulating signals that are multiplied in balanced modulator 2 to produce $(V_m \cos 2\pi f_m t) \times (V_c \cos 2\pi f_c t)$. Applying another common trigonometric identity

$$\cos A \cos B = 0.5[\cos(A - B) + \cos(A + B)]$$

we have

$$(V_m \cos 2\pi f_m t)(V_c \cos 2\pi f_c t) = 0.5V_m V_c [\cos(2\pi f_c - 2\pi f_m)t + \cos(2\pi f_c + 2\pi f_m)t]$$

When you add the sine expression given previously to the cosine expression just above, the sum frequencies cancel and the difference frequencies add, producing only the lower sideband $\cos[(2\pi f_c - 2\pi f_m)t]$.

The phasing method can be used to select either the upper or lower sideband. This is done by changing the phase shift of either the audio or the carrier signals to the balanced modulator inputs. For example, applying the direct audio signal to balanced modulator 2 in Fig. 4-32 and the 90° phase-shifted signal to balanced modulator 1 will cause the upper sideband to be selected instead of the lower

sideband. The phase relationship of the carrier can also be switched to make this change.

GOOD TO KNOW

When the filter method is used to produce SSB signals, either the upper or lower sideband is selected. The choice of upper or lower sideband varies from service to service and must be known to properly receive an SSB signal.

The output of the phasing generator is a low-level SSB signal. The degree of suppression of the carrier depends on the configuration and precision of the balanced modulators, and the precision of the phase shifting determines the degree of suppression of the unwanted sideband. The SSB output is then applied to linear RF amplifiers, where its power level is increased before being applied to the transmitting antenna.

The phasing method of SSB is not used very often because of the very critical nature of the phase shifting networks. These networks must be very precisely set if acceptable carrier and sideband suppression is to be achieved. Another difficulty is designing a phase-shift network that will produce and maintain a constant 90° shift over a wide frequency range (e.g., 300 to 3000 Hz, voice). A few modern versions can achieve successful operation by using DSP methods in software. The phasing method can be found in some superheterodyne communications receivers to perform image rejection. (See Chap. 8.)

DSB and SSB Demodulation

page 147

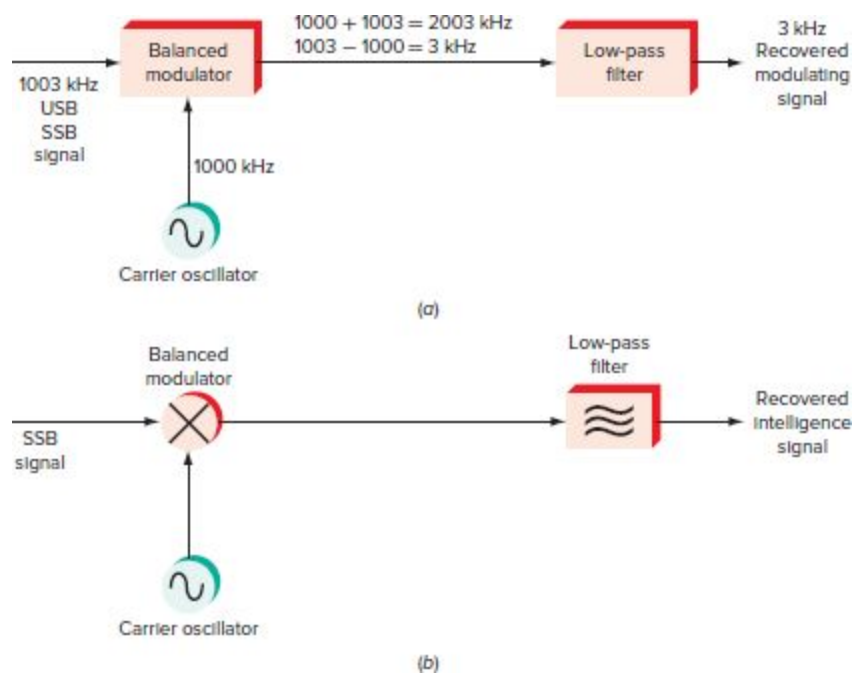
To recover the intelligence in a DSB or SSB signal, the carrier that was suppressed at the receiver must be reinserted. Assume, e.g., that a 3-kHz sine wave tone is transmitted by modulating a 1000-kHz carrier. With SSB transmission of the upper sideband, the transmitted signal

is $1000 + 3 = 1003$ kHz. Now at the receiver, the SSB signal (the 1003-kHz USB) is used to modulate a carrier of 1000 kHz. See Fig. 4-33(a). If a balanced modulator is used, the 1000-kHz carrier is suppressed, but the sum and difference signals are generated. The balanced modulator is called a *product detector* because it is used to recover the modulating signal rather than generate a carrier that will transmit it. The sum and difference frequencies produced are

Product detector

$$\begin{aligned} \text{Sum:} & \quad 1003 + 1000 = 2003 \text{ kHz} \\ \text{Difference:} & \quad 1003 - 1000 = 3 \text{ kHz} \end{aligned}$$

Figure 4-33 A balanced modulator used as a product detector to demodulate an SSB signal.



The difference is, of course, the original intelligence or modulating signal. The sum, the 2003-kHz signal, has no importance or meaning. Since the two output frequencies of the balanced modulator are so far apart, the higher undesired frequency is easily filtered out by a low-pass filter

that keeps the 3-kHz signal but suppresses everything above it.

Any balanced modulator can be used as a product detector to demodulate SSB signals. Many special product detector circuits have been developed over the years. Lattice modulators or ICs such as the 1496 both make good product detectors. All that needs to be done is to connect a low-pass filter on the output to get rid of the undesired high-frequency signal while passing the desired difference signal. Fig. 4-33(b) shows a widely accepted convention for representing balanced modulator circuits. Note the special symbols used for the balanced modulator and low-pass filter.

CHAPTER REVIEW

Online Activity

4-1 ASK Transmitters and Receivers

Objective: Explore the availability and application of IC ASK transmitters, receivers, and transceivers.

Procedure:

1. Perform an Internet search on the terms *ASK*, *OOK*, *ASK transmitters*, *ASK receivers*, and *ASK transceivers*.
2. Identify specific ICs, modules, or other products in this category. Download any available data sheets or other sources of information.
3. Answer the following questions. Repeat step 2 until you are able to answer the questions.

Questions:

1. List at least four manufacturers of ASK ICs in any form.
2. What frequencies of operation do they normally use?
3. What is a common receiver sensitivity level range?
4. What is a typical transmitter output power range?
5. What are the common dc operating voltages for ASK receivers?
6. List three common uses for ASK/OOK transceivers.

Questions

1. What mathematical operation does an amplitude modulator perform?
2. What type of response curve must a device that produces amplitude modulation have?
3. Describe the two basic ways in which amplitude modulator circuits generate AM.
4. What type of semiconductor device gives a near-perfect square-law response?
5. Which four signals and frequencies appear at the output of a low-level diode modulator?
6. Which type of diode would make the best (most sensitive) AM demodulator?
7. Why does an analog multiplier make a good AM modulator?
8. What kind of amplifier must be used to boost the power of a low-level AM signal?
9. How does a differential amplifier modulator work?
10. To what stage of a transmitter does the modulator connect in a high-level AM transmitter?
11. What is the simplest and most common technique for demodulating an AM signal?
12. What is the most critical component value in a diode detector circuit? Explain.

- 13.** What is the basic component in a synchronous detector? What operates this component?
- 14.** What signals does a balanced modulator generate? Eliminate?
- 15.** What type of balanced modulator uses transformers and diodes?
- 16.** What is the most commonly used filter in a filter-type SSB generator?
- 17.** What is the reason why the phasing method of SSB generation is not more widely used?
- 18.** Which type of balanced modulator gives the greatest carrier suppression?
- 19.** What is the name of the circuit used to demodulate an SSB signal?
- 20.** What signal must be present in an SSB demodulator besides the signal to be detected?

Problems

- 1.** A collector modulated transmitter has a supply voltage of 48 V and an average collector current of 600 mA. What is the input power to the transmitter? How much modulating signal power is needed to produce 100 percent modulation? ♦
- 2.** An SSB generator has a 9-MHz carrier and is used to pass voice frequencies in the 300- to 3300-Hz range. The lower sideband is selected. What is the approximate center frequency of the filter needed to pass the lower sideband?
- 3.** A 1496 IC balanced modulator has a carrier-level input of 200 mV. The amount of suppression achieved is 60 dB. How much carrier voltage appears at the output? ♦

♦ *Answers to Selected Problems follow Chap. 23.*

Critical Thinking

- 1.** State the relative advantages and disadvantages of synchronous detectors versus other types of amplitude demodulators.
- 2.** Could a balanced modulator be used as a synchronous detector? Why or why not?
- 3.** An SSB signal is generated by modulating a 5-MHz carrier with a 400-Hz sine tone. At the receiver, the carrier is reinserted during demodulation, but its frequency is 5.00015 MHz rather than exactly 5 MHz. How does this affect the recovered signal? How would a voice signal be affected by a carrier that is not exactly the same as the original?

Fundamentals of Frequency Modulation

A sine wave carrier can be modulated by varying its amplitude, frequency, or phase shift. The basic equation for a carrier wave is

$$v = V_c \sin(2\pi ft \pm \theta)$$

where V_c = peak amplitude, f = frequency, and θ = phase angle

Impressing an information signal on a carrier by changing its frequency produces FM. Varying the amount of phase shift that a carrier experiences is known as phase modulation (PM). Varying the phase shift of a carrier also produces FM. FM and PM are collectively referred to as *angle modulation*. Since FM is generally superior in performance to AM, it is widely used in many areas of communication electronics.

Angle modulation

Objectives

After completing this chapter, you will be able to:

- Compare and contrast frequency modulation and phase modulation.

- Calculate the modulation index given the maximum deviation and the maximum modulating frequency and use the modulation index and Bessel coefficients to determine the number of significant sidebands in an FM signal.
- Calculate the bandwidth of an FM signal by using two methods and explain the difference between the two.
- Explain how preemphasis is used to solve the problem of the interference of high-frequency components by noise.
- List the advantages and disadvantages of FM as compared to AM.
- Give the reasons for FM's superior immunity to noise.
- Explain the form of an FSK signal and state why it consumes so much bandwidth.
- Name three common applications of FM.

5-1 Basic Principles of Frequency Modulation

In FM, the carrier amplitude remains constant and the carrier frequency is changed by the modulating signal. As the amplitude of the information signal varies, the carrier frequency shifts proportionately. As the modulating signal amplitude increases, the carrier frequency increases. If the amplitude of the modulating signal decreases, the carrier frequency decreases. The reverse relationship can also be implemented. A decreasing modulating signal increases the carrier frequency above its center value, whereas an increasing modulating signal decreases the carrier frequency below its center value. As the modulating signal amplitude varies, the carrier frequency varies above and

below its normal center, or *resting*, frequency with no modulation. The amount of change in carrier frequency produced by the modulating signal is known as the *frequency deviation* f_d . Maximum frequency deviation occurs at the maximum amplitude of the modulating signal.

Frequency modulation

Frequency deviation f_d

Analog FM

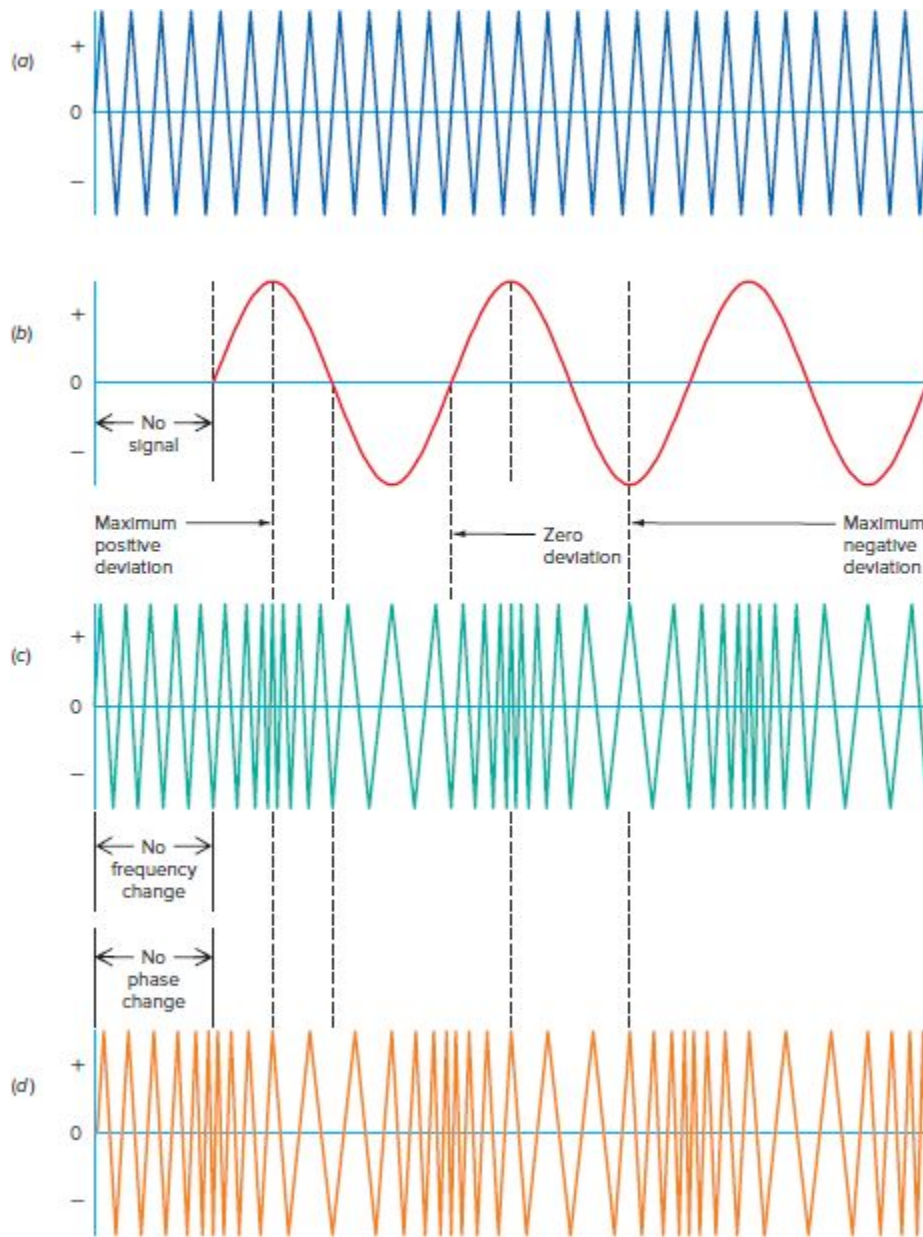
The frequency of the modulating signal determines the frequency deviation rate, or how many times per second the carrier frequency deviates above and below its center frequency. If the modulating signal is a 500-Hz sine wave, the carrier frequency shifts above and below the center frequency 500 times per second.

GOOD TO KNOW

The frequency of the modulating signal determines the frequency deviation rate, or how many times per second the carrier frequency deviates above and below its center frequency.

An FM signal is illustrated in Fig. 5-1(c). Normally the carrier [Fig. 5-1(a)] is a sine wave, but it is shown as a triangular wave here to simplify the illustration. With no modulating signal applied, the carrier frequency is a constant-amplitude sine wave at its normal resting frequency.

Figure 5-1 FM and PM signals. The carrier is drawn as a triangular wave for simplicity, but in practice it is a sine wave. (a) Carrier. (b) Modulating signal. (c) FM signal. (d) PM signal.



The modulating information signal [Fig. 5-1(b)] is a low-frequency sine wave. As the sine wave goes positive, the frequency of the carrier increases proportionately. The highest frequency occurs at the peak amplitude of the modulating signal. As the modulating signal amplitude decreases, the carrier frequency decreases. When the modulating signal is at zero amplitude, the carrier is at its center frequency point.

When the modulating signal goes negative, the carrier frequency decreases. It continues to decrease until the peak of the negative half-cycle of the modulating sine wave is reached. Then as the modulating signal increases toward zero, the carrier frequency again increases. This phenomenon is illustrated in Fig. 5-1(c), where the carrier sine waves seem to be first compressed and then stretched by the modulating signal.

Assume a carrier frequency of 150 MHz. If the peak amplitude of the modulating signal causes a maximum frequency shift of 30 kHz, the carrier frequency will deviate up to 150.03 MHz and down to 149.97 MHz. The total frequency deviation is $150.03 - 149.97 = 0.06 \text{ MHz} = 60 \text{ kHz}$. In practice, however, the frequency deviation is expressed as the amount of frequency shift of the carrier above or below the center frequency. Thus, the frequency deviation for the 150-MHz carrier frequency is represented as $\pm 30 \text{ kHz}$. This means that the modulating signal varies the carrier above and below its center frequency by 30 kHz. Note that the frequency of the modulating signal has no effect on the *amount* of deviation, which is strictly a function of the amplitude of the modulating signal.

Example 5-1

A transmitter operates on a frequency of 915 MHz. The maximum FM deviation is $\pm 12.5 \text{ kHz}$. What are the maximum and minimum frequencies that occur during modulation?

$$915 \text{ MHz} = 915,000 \text{ kHz}$$

$$\text{Maximum deviation} = 915,000 + 12.5 = 915,012.5 \text{ kHz}$$

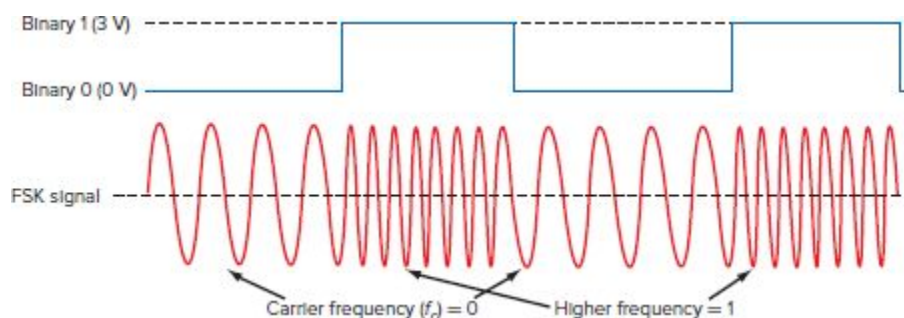
$$\text{Minimum deviation} = 915,000 - 12.5 = 914,987.5 \text{ kHz}$$

Frequency-Shift Keying

Frequently, the modulating signal is a pulse train or series of rectangular waves, e.g., serial binary data. When the modulating signal has only two amplitudes, the carrier frequency, instead of having an infinite number of values, as it would have with a continuously varying (analog) signal, has only two values. This phenomenon is illustrated in Fig. 5-2. For example, when the modulating signal is a binary 0, the carrier frequency is the center frequency value. When the modulating signal is a binary 1, the carrier frequency abruptly changes to a higher frequency level. The amount of the shift depends on the amplitude of the binary signal. This kind of modulation, called *frequency-shift keying (FSK)*, is widely used in the transmission of binary data in Bluetooth headsets, wireless speakers, and many forms of industrial wireless.

Frequency-shift keying

Figure 5-2 Frequency-modulating of a carrier with binary data produces FSK.



5-2 Principles of Phase Modulation

When the amount of phase shift of a constant-frequency carrier is varied in accordance with a modulating signal, the

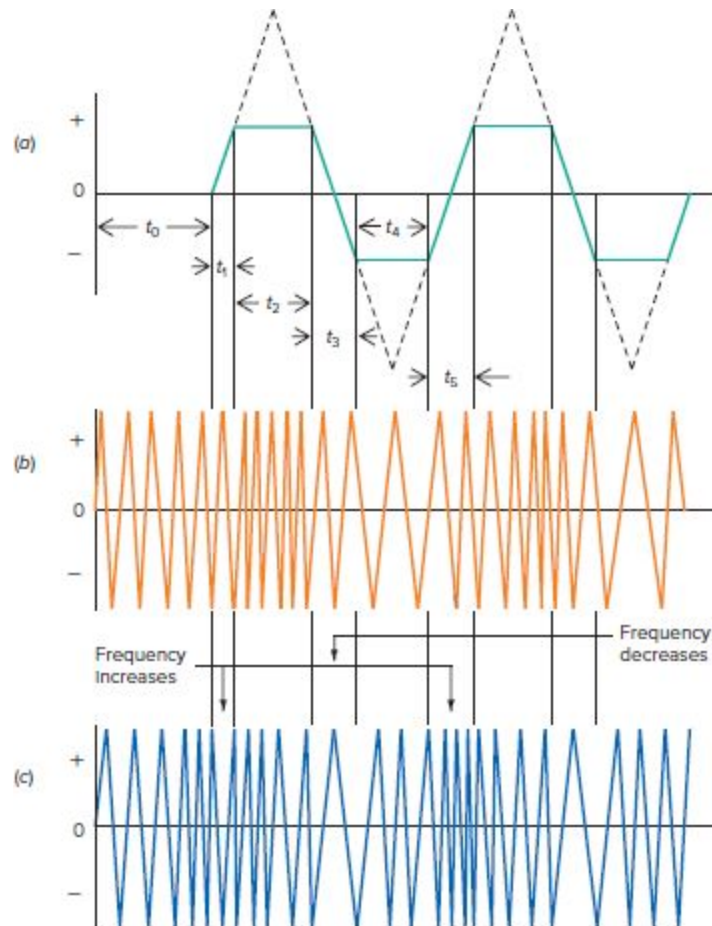
resulting output is a *phase modulation (PM)* signal [see Fig. 5-1(d)]. Imagine a modulator circuit whose basic function is to produce a *phase shift*, i.e., a time separation between two sine waves of the same frequency. Assume that a phase shifter can be built that will cause the amount of phase shift to vary with the amplitude of the modulating signal. The greater the amplitude of the modulating signal, the greater the phase shift. Assume further that positive alternations of the modulating signal produce a lagging phase shift and negative signals produce a leading phase shift.

Phase modulation (PM)

If a constant-amplitude, constant-frequency carrier sine wave is applied to the phase shifter whose phase shift is varied by the intelligence signal, the output of the phase shifter is a PM wave. As the modulating signal goes positive, the amount of phase lag, and thus the delay of the carrier output, increases with the amplitude of the modulating signal. The result at the output is the same as if the constant-frequency carrier signal had been stretched out, or had its frequency lowered. When the modulating signal goes negative, the phase shift becomes leading. This causes the carrier sine wave to be effectively speeded up, or compressed. The result is the same as if the carrier frequency had been increased.

Note that it is the dynamic nature of the modulating signal that causes the frequency variation at the output of the phase shifter: FM is produced only as long as the phase shift is varying. To understand this better, look at the modulating signal shown in Fig. 5-3(a), which is a triangular wave whose positive and negative peaks have been clipped off at a fixed amplitude. During time t_0 , the signal is zero, so the carrier is at its center frequency.

Figure 5-3 A frequency shift occurs in PM only when the modulating signal amplitude varies. (a) Modulating signal. (b) FM signal. (c) PM signal.



Applying this modulating signal to a frequency modulator produces the FM signal shown in Fig. 5-3(b). During the time the waveform is rising (t_1), the frequency increases. During the time the positive amplitude is constant (t_2), the FM output frequency is constant. During the time the amplitude decreases and goes negative (t_3), the frequency decreases. During the constant-amplitude negative alternation (t_4), the frequency remains constant, at a lower frequency. During t_5 , the frequency increases.

GOOD TO KNOW

The maximum frequency deviation produced by a phase modulator occurs when the modulating signal is changing most quickly. For a sine wave modulating signal, that time is when the modulating wave changes from plus to minus or from minus to plus.

Now, refer to the PM signal in Fig. 5-3(c). During increases or decreases in amplitude (t_1 , t_3 , and t_5), a varying frequency is produced. However, during the constant-amplitude positive and negative peaks, no frequency change takes place. The output of the phase modulator is simply the carrier frequency that has been shifted in phase. This clearly illustrates that when a modulating signal is applied to a phase modulator, the output frequency changes only during the time that the amplitude of the modulating signal is varying.

The maximum frequency deviation produced by a phase modulator occurs during the time when the modulating signal is changing at its most rapid rate. For a sine wave modulating signal, the rate of change of the modulating signal is greatest when the modulating wave changes from plus to minus or from minus to plus. As Fig. 5-3(c) shows, the maximum rate of change of modulating voltage occurs exactly at the zero crossing points. In contrast, note that in an FM wave the maximum deviation occurs at the peak positive and negative amplitude of the modulating voltage. Thus, although a phase modulator does indeed produce FM, maximum deviation occurs at different points of the modulating signal.

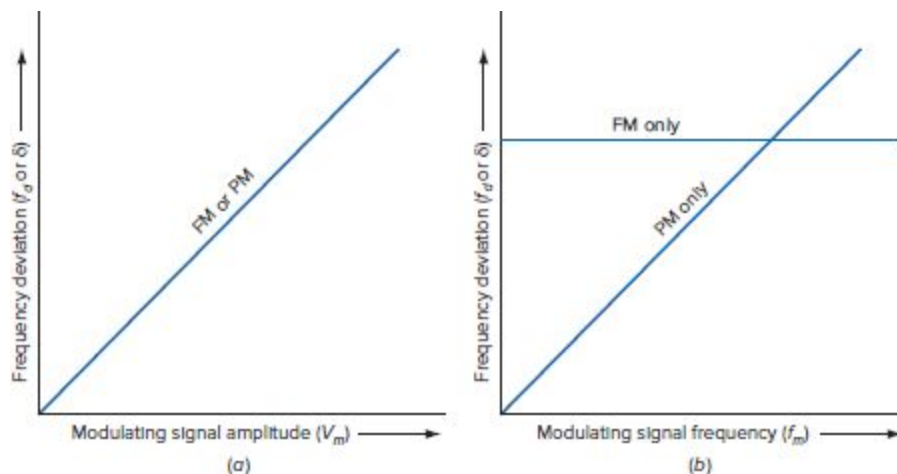
In PM, the amount of carrier deviation is page 154 proportional to the rate of change of the modulating signal, i.e., the calculus derivative. With a sine wave modulating signal, the PM carrier appears to be frequency-modulated by the cosine of the modulating signal. Remember that the cosine occurs 90° earlier (leads) than the sine.

Since the frequency deviation in PM is proportional to the rate of change in the modulating signal, the frequency deviation is proportional to the modulating signal frequency as well as its amplitude. This effect is compensated for prior to modulation.

Relationship Between the Modulating Signal and Carrier Deviation

In FM, the frequency deviation is directly proportional to the amplitude of the modulating signal. The maximum deviation occurs at the peak positive and negative amplitudes of the modulating signal. In PM, the frequency deviation is also directly proportional to the amplitude of the modulating signal. The maximum amount of leading or lagging phase shift occurs at the peak amplitudes of the modulating signal. This effect, for both FM and PM, is illustrated in Fig. 5-4(a).

Figure 5-4 Frequency deviation as a function of (a) modulating signal amplitude and (b) modulating signal frequency.



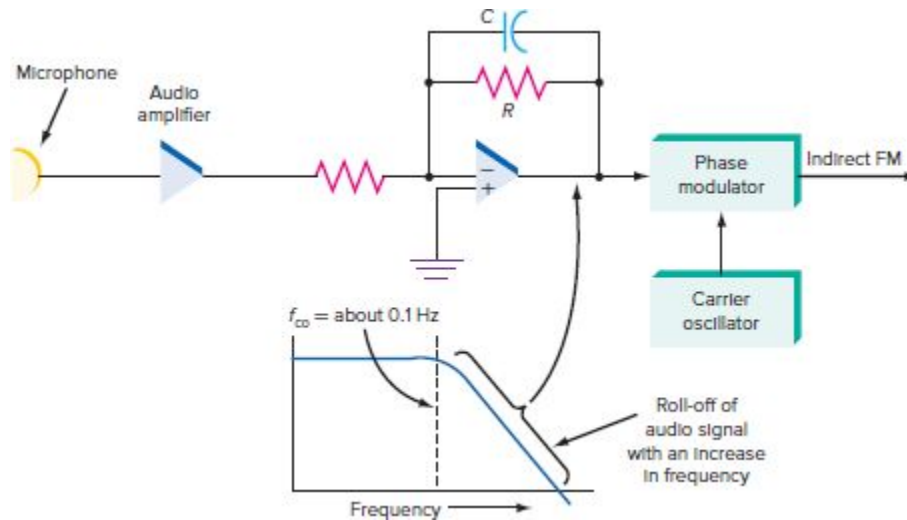
Now look at Fig. 5-4(b), which shows that the frequency deviation of an FM signal is constant for any value of modulating frequency. Only the amplitude of the modulating signal determines the amount of deviation. But look at how the deviation varies in a PM signal with different modulating signal frequencies. The higher the modulating signal frequency, the shorter its period and the faster the voltage changes. Higher modulating voltages result in greater phase shift, and this, in turn, produces greater frequency deviation. However, higher modulating frequencies produce

a faster rate of change of the modulating voltage and thus greater frequency deviation. In PM, then, the carrier frequency deviation is proportional to both the modulating frequency (slope of modulating voltage) and the amplitude. In FM, frequency deviation is proportional only to the amplitude of the modulating signal, regardless of its frequency.

Converting PM to FM

To make PM compatible with FM, the deviation produced by frequency variations in the modulating signal must be compensated for. This can be done by passing the intelligence signal through a low-pass RC network, as illustrated in Fig. 5-5. This low-pass filter, called a *frequency-correcting network*, *predistorter*, or *1/f filter*, causes the higher modulating frequencies to be attenuated. Although the higher modulating frequencies produce a greater rate of change and thus a greater frequency deviation, this is offset by the lower amplitude of the modulating signal, which produces less phase shift and thus less frequency deviation. The predistorter compensates for the excess frequency deviation caused by higher modulating frequencies. The result is an output that is the same as an FM signal. The FM produced by a phase modulator is called *indirect FM*.

Figure 5-5 Using a low-pass filter to roll off the audio modulating signal amplitude with frequency.



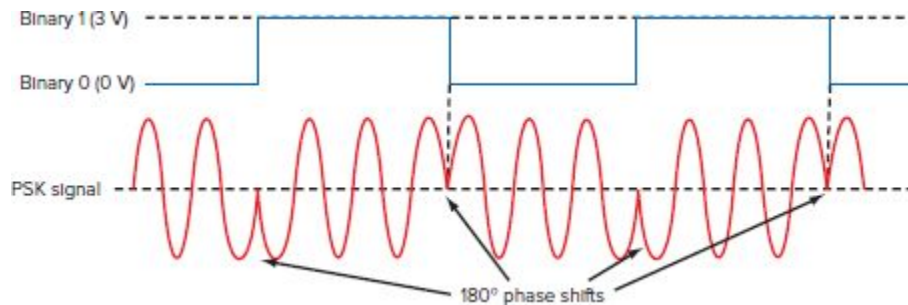
Frequency-correcting network (predistorter or $1/f$ filter)

Indirect FM

Phase-Shift Keying

PM is also used with binary signals, as Fig. 5-6 shows. When the binary modulating signal is 0 V, or binary 0, the PM signal is simply the carrier frequency. When a binary 1 voltage level occurs, the modulator, which is a phase shifter, simply changes the phase of the carrier, not its frequency. In Fig. 5-6, the phase shift is 180° . Each time the signal changes from 0 to 1 or 1 to 0, there is a 180° phase shift. The PM signal is still the carrier frequency, but the phase has been changed with respect to the original carrier with a binary 0 input.

Figure 5-6 Phase modulation of a carrier by binary data produces PSK.



The process of phase-modulating a carrier with binary data is called *phase-shift keying (PSK)* or *binary phase-shift keying (BPSK)*. The PSK signal shown in Fig. 5-6 uses a 180° phase shift from a reference, but other phase-shift values can be used, for example, 45° , 90° , 135° , or 225° . The important thing to remember is that no frequency variation occurs. The PSK signal has a constant frequency, but the phase of the signal from some reference changes as the binary modulating signal occurs. A variation is quadrature amplitude modulation (QAM) that is a combination of ASK and PSK. It is covered in a later chapter.

Phase-shift keying (PSK)

Binary phase-shift keying (BPSK)

5-3 Modulation Index and Sidebands

Any modulation process produces *sidebands*. When a constant-frequency sine wave modulates a carrier, two side frequencies are produced. The side frequencies are the sum and difference of the carrier and the modulating frequency. In FM and PM, as in AM, sum and difference sideband frequencies are produced. In addition, a large number of pairs of upper and lower sidebands are generated. As a result, the spectrum of an FM or a PM signal is usually wider than that of an equivalent AM signal. It is also possible to

generate a special narrowband FM signal whose bandwidth is only slightly wider than that of an AM signal.

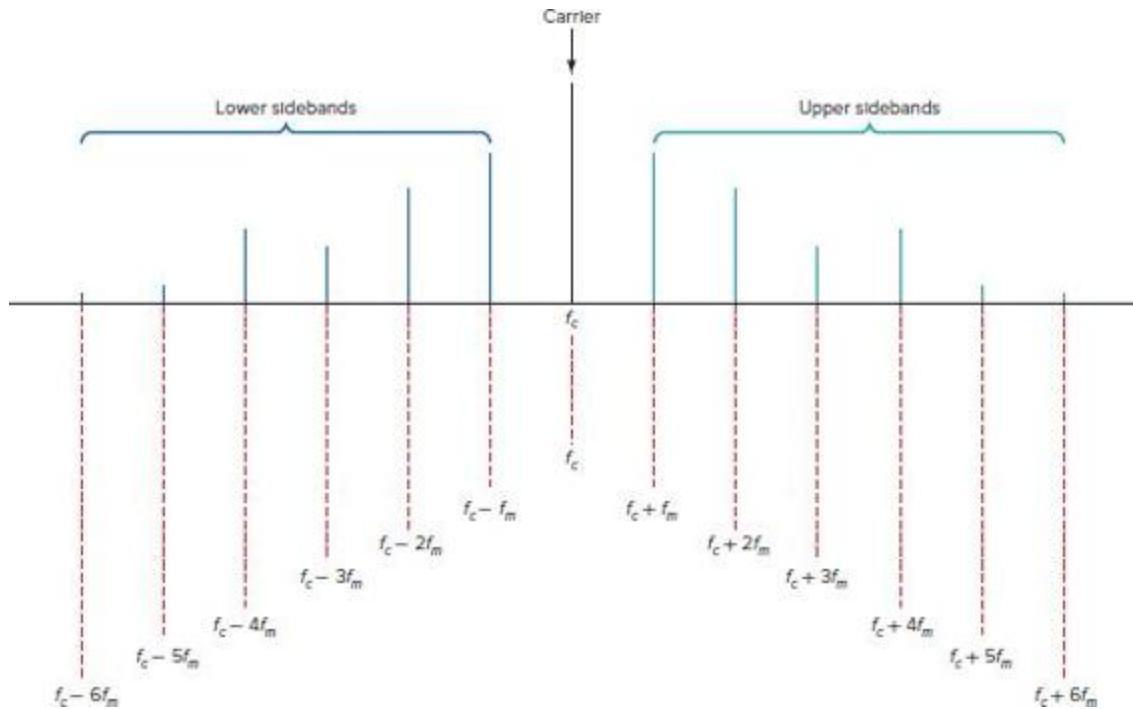
Sideband

GOOD TO KNOW

In FM, only those sidebands with the largest amplitudes are significant in carrying information. Sidebands containing less than 2 percent of the total power have little overall effect on the intelligibility of the signal.

Fig. 5-7 shows the frequency spectrum of a typical FM signal produced by modulating a carrier with a single-frequency sine wave. Note that the sidebands are spaced from the carrier f_c and from one another by a frequency equal to the modulating frequency f_m . If the modulating frequency is 1 kHz, the first pair of sidebands is above and below the carrier by 1000 Hz. The second pair of sidebands is above and below the carrier by $2 \times 1000 \text{ Hz} = 2000 \text{ Hz}$, or 2 kHz, and so on. Note also that the amplitudes of the sidebands vary. If each sideband is assumed to be a sine wave, with a frequency and an amplitude as indicated in Fig. 5-7, and all the sine waves are added, then the FM signal producing them will be created.

Figure 5-7 Frequency spectrum of an FM signal. Note that the carrier and sideband amplitudes shown are just examples. The amplitudes depend upon the modulation index m_f .



As the amplitude of the modulating signal varies, the frequency deviation changes. The number of sidebands produced, and their amplitude and spacing, depends on the frequency deviation and modulating frequency. Keep in mind that an FM signal has a constant amplitude. Since an FM signal is a summation of the sideband frequencies, the sideband amplitudes must vary with frequency deviation and modulating frequency if their sum is to produce a constant-amplitude but variable-frequency FM signal.

Theoretically, the FM process produces an infinite number of upper and lower sidebands and, therefore, a theoretically infinitely large bandwidth. However, in practice, only those sidebands with the largest amplitudes are significant in carrying the information. Typically any sideband whose amplitude is less than 1 percent of the unmodulated carrier is considered insignificant. Thus FM is readily passed by circuits or communication media with finite bandwidth. Despite this, the bandwidth of an FM signal is usually much wider than that of an AM signal with the same modulating signal.

Modulation Index

The ratio of the frequency deviation to the modulating frequency is known as the *modulation index* m_f :

Modulation index

$$m_f = \frac{f_d}{f_m}$$

where f_d is the frequency deviation and f_m is the modulating frequency. Sometimes the lowercase Greek letter delta (δ) is used instead of f_d to represent deviation, then $m_f = \delta/f_m$. For example, if the maximum frequency deviation of the carrier is ± 12 kHz and the maximum modulating frequency is 2.5 kHz, the modulation index is $m_f = 12/2.5 = 4.8$.

In most communication systems using FM, page 158 maximum limits are put on both the frequency deviation and the modulating frequency. For example, in standard FM broadcasting, the maximum permitted frequency deviation is 75 kHz and the maximum permitted modulating frequency is 15 kHz. This produces a modulation index of $m_f = 75/15 = 5$.

When the maximum allowable frequency deviation and the maximum modulating frequency are used in computing the modulation index, m_f is known as the *deviation ratio*.

Deviation ratio

Example 5-2

What is the deviation ratio if the maximum deviation is 25 kHz and the maximum modulating frequency is 15 kHz?

$$m_f = \frac{f_d}{f_m} = \frac{25}{15} = 1.667$$

Bessel Functions

Given the modulation index, the number and amplitudes of the significant sidebands can be determined by solving the basic equation of an FM signal. The FM equation, whose derivation is beyond the scope of this book, is $v_{\text{FM}} = V_c \sin [2\pi f_c t + m_f \sin (2\pi f_m t)]$, where v_{FM} is the instantaneous value of the FM signal and m_f is the modulation index. The term whose coefficient is m_f is the phase angle of the carrier. Note that this equation expresses the phase angle in terms of the sine wave modulating signal. This equation is solved with a complex mathematical process known as *Bessel functions*. It is not necessary to show this solution, but the result is as follows:

Bessel function

$$\begin{aligned} v_{\text{FM}} = & V_c \{ J_0(\sin \omega_c t) + J_1[\sin(\omega_c + \omega_m)t - \sin(\omega_c - \omega_m)t] \\ & + J_2[\sin(\omega_c + 2\omega_m)t + \sin(\omega_c - 2\omega_m)t] \\ & + J_3[\sin(\omega_c + 3\omega_m)t - \sin(\omega_c - 3\omega_m)t] \\ & + J_4[\sin(\omega_c + 4\omega_m)t + \sin(\omega_c - 4\omega_m)t] \\ & + J_5[\sin \dots] + \dots \} \end{aligned}$$

where $\omega_c = 2\pi f_c$ = carrier frequency

$\omega_m = 2\pi f_m$ = modulating signal frequency

V_c = peak value of unmodulated carrier

The FM wave is expressed as a composite of sine waves of different frequencies and amplitudes that, when added, give an FM time-domain signal. The first term is the carrier with an amplitude given by a J_n coefficient, in this case J_0 . The next term represents a pair of upper and lower side frequencies equal to the sum and difference of the carrier and modulating signal frequency. The amplitude of these side frequencies is J_1 . The next term is another pair of side

frequencies equal to the carrier ± 2 times the modulating signal frequency. The other terms represent additional side frequencies spaced from one another by an amount equal to the modulating signal frequency.

The amplitudes of the sidebands are determined page 159 by the J_n coefficients, which are, in turn, determined by the value of the modulation index. These amplitude coefficients are computed by using the expression

$$J_n(m_f) = \left(\frac{m_f}{2^n n!} \right)^n \left[1 - \frac{(m_f)^2}{2(2n+2)} + \frac{(m_f)^4}{2 \cdot 4(2n+2)(2n+4)} - \frac{(m_f)^6}{2 \cdot 4 \cdot 6(2n+2)(2n+4)(2n+6)} + \dots \right]$$

where ! = factorial

n = sideband number (1, 2, 3, etc.)

$n = 0$ is the carrier

$m_f = \frac{f_d}{f_m}$ = frequency deviation

In practice, you do not have to know or calculate these coefficients, since tables giving them are widely available. The Bessel coefficients for a range of modulation indexes are given in Fig. 5-8. The leftmost column gives the modulation index m_f . The remaining columns indicate the relative amplitudes of the carrier and the various pairs of sidebands. Any sideband with a relative carrier amplitude of less than 1 percent (0.01) has been eliminated. Note that some of the carrier and sideband amplitudes have negative signs. This means that the signal represented by that amplitude is simply shifted in phase 180° (phase inversion).

Figure 5-8 Carrier and sideband amplitudes for different modulation indexes of FM signals based on the Bessel functions.

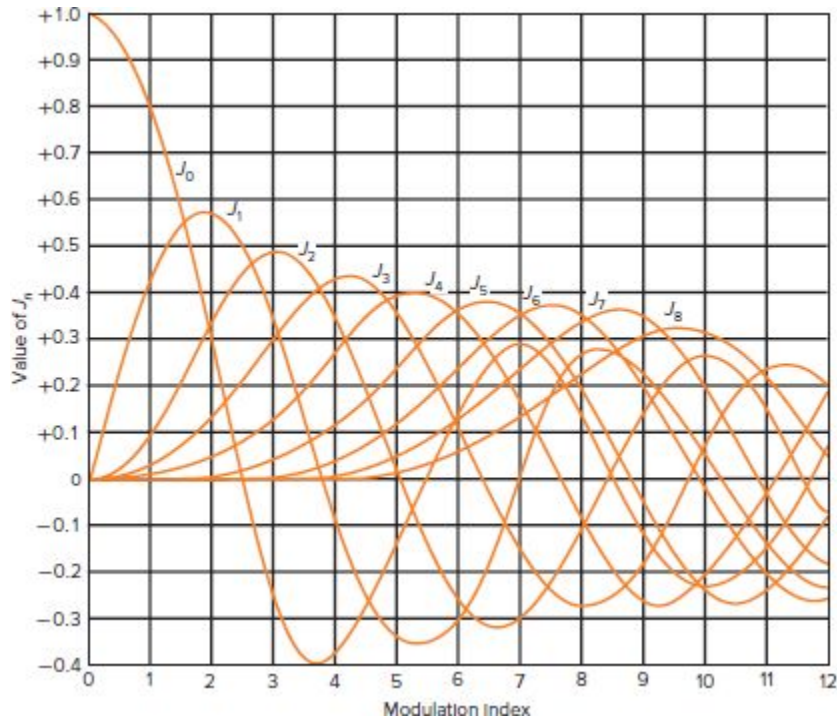
Modulation Index	Carrier	Sidebands (Pairs)															
		1st	2d	3d	4th	5th	6th	7th	8th	9th	10th	11th	12th	13th	14th	15th	16th
0.00	1.00	—	—	—	—	—	—	—	—	—	—	—	—	—	—	—	—
0.25	0.98	0.12	—	—	—	—	—	—	—	—	—	—	—	—	—	—	—
0.5	0.94	0.24	0.03	—	—	—	—	—	—	—	—	—	—	—	—	—	—
1.0	0.77	0.44	0.11	0.02	—	—	—	—	—	—	—	—	—	—	—	—	—
1.5	0.51	0.56	0.23	0.06	0.01	—	—	—	—	—	—	—	—	—	—	—	—
2.0	0.22	0.58	0.35	0.13	0.03	—	—	—	—	—	—	—	—	—	—	—	—
2.5	-0.05	0.50	0.45	0.22	0.07	0.02	—	—	—	—	—	—	—	—	—	—	—
3.0	-0.26	0.34	0.49	0.31	0.13	0.04	0.01	—	—	—	—	—	—	—	—	—	—
4.0	-0.40	-0.07	0.36	0.43	0.28	0.13	0.05	0.02	—	—	—	—	—	—	—	—	—
5.0	-0.18	-0.33	0.05	0.36	0.39	0.26	0.13	0.05	0.02	—	—	—	—	—	—	—	—
6.0	0.15	-0.28	-0.24	0.11	0.36	0.36	0.25	0.13	0.06	0.02	—	—	—	—	—	—	—
7.0	0.30	0.00	-0.30	-0.17	0.16	0.35	0.34	0.23	0.13	0.06	0.02	—	—	—	—	—	—
8.0	0.17	0.23	-0.11	-0.29	-0.10	0.19	0.34	0.32	0.22	0.13	0.06	0.03	—	—	—	—	—
9.0	-0.09	0.24	0.14	-0.18	-0.27	-0.06	0.20	0.33	0.30	0.21	0.12	0.06	0.03	0.01	—	—	—
10.0	-0.25	0.04	0.25	0.06	-0.22	-0.23	-0.01	0.22	0.31	0.29	0.20	0.12	0.06	0.03	0.01	—	—
12.0	-0.05	-0.22	-0.08	0.20	0.18	-0.07	-0.24	-0.17	0.05	0.23	0.30	0.27	0.20	0.12	0.07	0.03	0.01
15.0	-0.01	0.21	0.04	0.19	-0.12	0.13	0.21	0.03	-0.17	-0.22	-0.09	0.10	0.24	0.28	0.25	0.18	0.12

GOOD TO KNOW

The symbol ! means factorial. This tells you to multiply all integers from 1 through the number to which the symbol is attached. For example, 5! means $1 \times 2 \times 3 \times 4 \times 5 = 120$.

Fig. 5-9 shows the curves that are generated by plotting the data in Fig. 5-8. The carrier and sideband amplitudes and polarities are plotted on the vertical axis; the modulation index is plotted on the horizontal axis. As the figures illustrate, the carrier amplitude J_0 varies with the modulation index. In FM, the carrier amplitude and the amplitudes of the sidebands change as the modulating signal frequency and deviation change. In AM, the carrier amplitude remains constant.

Figure 5-9 Plot of the Bessel function data from Fig. 5-8.



Note that at several points in Figs. 5-8 and 5-9, at modulation indexes of about 2.4, 5.5, and 8.7, the carrier amplitude J_0 actually drops to zero. At those points, all the signal power is completely distributed throughout the sidebands. And as can be seen in Fig. 5-9, the sidebands also go to zero at certain values of the modulation index.

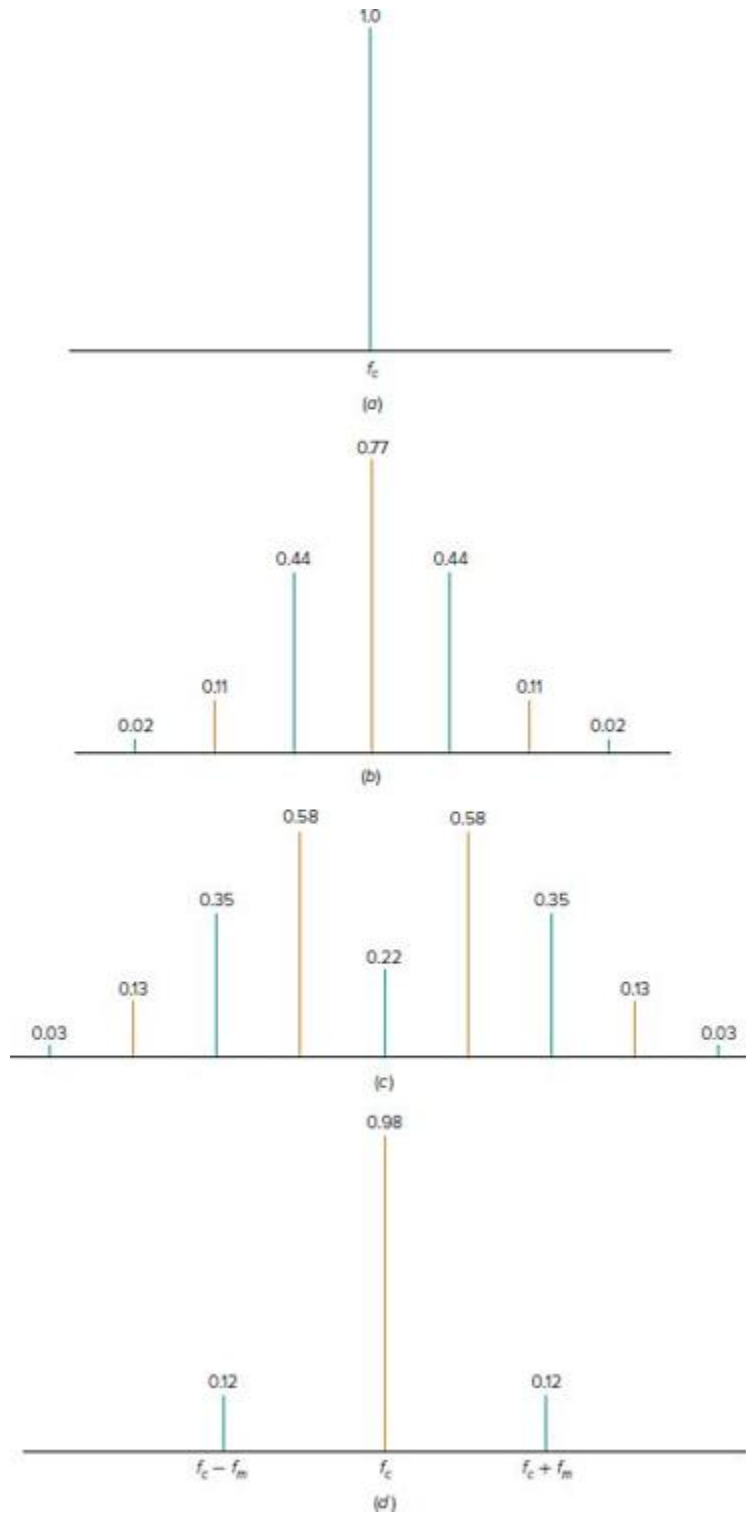
Example 5-3

What is the maximum modulating frequency that can be used to achieve a modulation index of 2.2 with a deviation of 7.48 kHz?

$$f_m = \frac{f_d}{m_f} = \frac{7480}{2.2} = 3400 \text{ Hz} = 3.4 \text{ kHz}$$

Fig. 5-10 shows several examples of an FM signal spectrum with different modulation indexes. Compare the examples to the entries in Fig. 5-8. The unmodulated carrier in Fig. 5-10(a) has a relative amplitude of 1.0. With no modulation, all the power is in the carrier. With modulation, the carrier amplitude decreases while the amplitudes of the various sidebands increase.

Figure 5-10 Examples of FM signal spectra. (a) Modulation index of 0 (no modulation or sidebands). (b) Modulation index of 1. (c) Modulation index of 2. (d) Modulation index of 0.25 (NBFM).



In Fig. 5-10(d), the modulation index is 0.25. This is a special case of FM in which the modulation process produces only a single pair of significant sidebands like

those produced by AM. With a modulation index of 0.25, the FM signal occupies no more spectrum space than an AM signal. This type of FM is called *narrowband FM*, or *NBFM*. The formal definition of NBFM is any FM system in which the modulation index is less than $\pi/2 = 1.57$, or $m_f < \pi/2$. However, for true NBFM with only a single pair of sidebands, m_f must be much less than $\pi/2$. Values of m_f in the 0.2 to 0.25 range will give true NBFM. Common FM mobile radios use a maximum deviation of 5 kHz, with a maximum voice frequency of 3 kHz, giving a modulation index of $m_f = 5 \text{ kHz}/3 \text{ kHz} = 1.667$. Although these systems do not fall within the formal definition of NBFM, they are nonetheless regarded as narrowband transmissions.

Narrowband FM (NBFM)

page 161

page 162

Example 5-4

State the amplitudes of the carrier and the first four sidebands of an FM signal with a modulation index of 4. (Use Figs. 5-8 and 5-9.)

$$J_0 = -0.4$$

$$J_1 = -0.07$$

$$J_2 = 0.36$$

$$J_3 = 0.43$$

$$J_4 = 0.28$$

The primary purpose of NBFM is to conserve spectrum space, and NBFM is widely used in radio communication. Note, however, that NBFM conserves spectrum space at the expense of the signal-to-noise ratio.

FM Signal Bandwidth

As stated previously, the higher the modulation index in FM, the greater the number of significant sidebands and the wider the bandwidth of the signal. When spectrum conservation is necessary, the bandwidth of an FM signal can be deliberately restricted by putting an upper limit on the modulation index.

The total bandwidth of an FM signal can be determined by knowing the modulation index and using Fig. 5-8. For example, assume that the highest modulating frequency of a signal is 3 kHz and the maximum deviation is 6 kHz. This gives a modulation index of $m_f = 6 \text{ kHz} / 3 \text{ kHz} = 2$. Referring to Fig. 5-8, you can see that this produces four significant pairs of sidebands. The bandwidth can then be determined with the simple formula

$$BW = 2f_m N$$

where N is the number of significant sidebands in the signal. According to this formula, the bandwidth of our FM signal is

$$BW = 2(3 \text{ kHz})(4) = 24 \text{ kHz}$$

In general terms, an FM signal with a modulation index of 2 and a highest modulating frequency of 3 kHz will occupy a 24-kHz bandwidth.

Another way to determine the bandwidth of an FM signal is to use *Carson's rule*. This rule recognizes only the power in the most significant sidebands with amplitudes greater than 2 percent of the carrier (0.02 or higher in Fig. 5-8). This rule is

Carson's rule

$$BW = 2[f_d(\text{max}) + f_m(\text{max})]$$

According to Carson's rule, the bandwidth of the FM signal in the previous example would be

$$BW = 2(6 \text{ kHz} + 3 \text{ kHz}) = 2(9 \text{ kHz}) = 18 \text{ kHz}$$

Carson's rule will always give a bandwidth lower than that calculated with the formula $BW = 2f_m N$. However, it has been proved that if a circuit or system has the bandwidth calculated by Carson's rule, the sidebands will indeed be passed well enough to ensure full intelligibility of the signal.

So far, all the examples of FM have assumed a single-frequency sine wave modulating signal. However, as you know, most modulating signals are not pure sine waves, but complex waves made up of many different frequencies. When the modulating signal is a pulse or binary wave train, the carrier is modulated by the equivalent signal, which is a mix of a fundamental sine wave and all the relevant harmonics, as determined by Fourier theory. For example, if the modulating signal is a square wave, the fundamental sine wave and all the odd harmonics modulate the carrier. Each harmonic produces multiple pairs of sidebands depending on the modulation index. As you can imagine, FM by a square or rectangular wave generates many sidebands and produces a signal with an enormous bandwidth. The circuits or systems that will carry, process, or pass such a signal must have the appropriate bandwidth so as not to distort the signal. In most equipment that transmits digital or binary data by FSK, the binary signal is filtered to remove higher-level harmonics prior to modulation. This reduces the bandwidth required for transmission.

Variations of FSK

The main problem with FM and FSK is that they use too much bandwidth. Yet because of their superior noise suppression, considerable work has been done to minimize spectrum usage. Different variants of FSK have been created to reduce the bandwidth of the signal. These

successful variations of FSK have been widely adopted. To follow is a summary of these methods, including continuous-phase FSK (CPFSK), Gaussian frequency-shift keying (GFSK), and minimum-shift keying (MSK).

Modulation Index. The modulation index (h) of an FSK signal is a function of the amount of frequency deviation between the binary 0 and binary 1 frequencies (Δf) and the bit time (T_b) of the binary baseband signal to be transmitted. If the two FSK frequencies are f_0 and f_1 , then

$$h = \Delta f T_b = (f_0 - f_1) T_b$$

For nonbinary FM, the modulation index is usually greater than 1. But with binary FSK, it can be less than 1. With $h < 1$ the amount of bandwidth occupied by the modulated signal is minimized. The typical value of h for MSK is 0.5.

Continuous-Phase FSK. As the binary data switch the signal from one frequency to the other, no attention is paid to the timing of the switching operation. The sine carrier does not smoothly transition from one frequency to the other when one sine wave ends and the other sine wave begins exactly at the same zero crossover times. Instead, the transitions are random and the result is discontinuities at the binary transitions that generate more harmonics and high-frequency sidebands that widen the bandwidth of the FSK signal.

One way to solve this problem is to select the two FSK frequencies as well as the binary bit rate so that they all switch at the same zero crossing points. The two FSK signals transition smoothly from one cycle to the next with no phase shift when the binary data signal switches. This is called continuous-phase FSK. The result is the elimination of the discontinuities that occur with standard FSK and an overall narrower bandwidth signal.

Gaussian FSK. One sure way to minimize the FSK signal bandwidth is to filter the binary data to reduce the harmonic content. The best way to do this is to use a Gaussian filter. This type of filter effectively lengthens the rise and fall times of the data pulses and rounds them. The effect is to remove or minimize the harmonic content and thereby reduce the number of sidebands. The resulting GFSK signal then occupies less bandwidth. This form of modulation is so effective that it has been adopted by many different wireless standards. Examples are Bluetooth and Z-Wave, both widely used for short-range, low data rate applications in the home and factory.

Minimum-Shift Keying. This is a special case of [page 164](#) CPFSK. In MSK the modulation index $h = 0.5$.

$$h = (f_0 - f_1)T_b$$

The two FSK frequencies are f_1 for a binary 1 and f_0 for a binary 0. Their difference $(f_0 - f_1)$ should be one-half the binary data rate as defined by MSK and its modulation index $h = 0.5$.

Assume we have a data rate of 1500 bps or 1500 Hz. Then

$$\begin{aligned} T_b &= 1/1500 = 0.00066667 \text{ s} \\ h &= (f_0 - f_1)T_b \\ 0.5 &= (f_0 - f_1)(0.00066667) \\ (f_0 - f_1) &= 0.5/0.00066667 = 750 \text{ Hz} \\ (f_0 - f_1) &= 750 \text{ Hz} \end{aligned}$$

If $f_1 = 1500$, then

$$\begin{aligned} f_0 - 1500 &= 750 \\ f_0 &= 750 + 1500 = 2250 \text{ Hz} \\ f_0 &= 2250 \text{ Hz} \end{aligned}$$

The primary benefit of MSK is that it provides the benefits of FM but without the very wide bandwidth. MSK is spectrally efficient, which means that the number of sidebands is significantly reduced. More signals can occupy the same spectrum space if all use MSK. In addition, MSK is phase coherent; i.e., there are no discontinuities as the transitions from one frequency to the other take place at the zero crossings. This also minimizes the signal bandwidth. Finally, MSK has a constant envelope, i.e., the signal has a constant amplitude. More efficient class C, D, or E power amplifiers could be used. Further bandwidth reduction can also be achieved by passing the original binary signal through a Gaussian filter that will further round it off and reduce the sidebands, a scheme referred to as *GMSK*.

4FSK. Standard FSK, as discussed earlier, uses two frequencies and as such could be called *2FSK*, although *FSK* is more common usage. As its acronym suggests, 4FSK uses four discrete frequencies. Each frequency represents 2 bits of the modulating binary baseband data signal. With four symbols or frequencies, the data rate for a given bandwidth will be multiplied by 2. Some two-way mobile radio standards use 4FSK for transmitting data and compressed voice in narrow channels (12.5 kHz).

Example 5-5

What is the maximum bandwidth of an FM signal with a deviation of 30 kHz and a maximum modulating signal of 5 kHz as determined by (a) Fig. 5-8 and (b) Carson's rule?

$$\text{a. } m_f = \frac{f_d}{f_m} = \frac{30 \text{ kHz}}{5 \text{ kHz}} = 6$$

Fig. 5-8 shows nine significant sidebands spaced 5 kHz apart for $m_f = 6$.

$$\text{BW} = 2f_m N = 2(5 \text{ kHz}) 9 = 90 \text{ kHz}$$

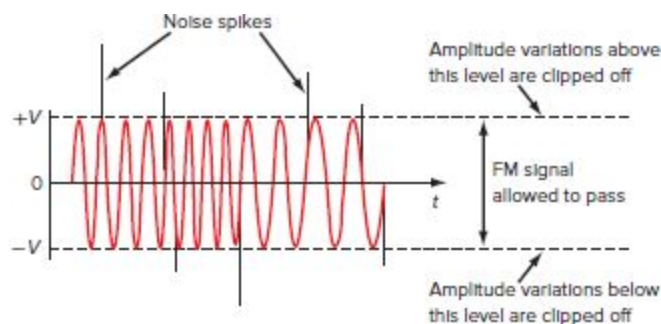
$$\begin{aligned} \text{b. } \text{BW} &= 2[f_{d(\text{max})} + f_{m(\text{max})}] \\ &= 2(30 \text{ kHz} + 5 \text{ kHz}) \\ &= 2(35 \text{ kHz}) \\ \text{BW} &= 70 \text{ kHz} \end{aligned}$$

5-4 Noise Suppression Effects of FM

Noise is interference generated by lightning, motors, automotive ignition systems, and any power line switching that produces transient signals. Such noise is typically narrow spikes of voltage with very high frequencies. They add to a signal and interfere with it. The potential effect of such noise on an FM signal is shown in Fig. 5-11. If the noise signals were strong enough, they could completely obliterate the information signal.

Noise

Figure 5-11 An FM signal with noise.



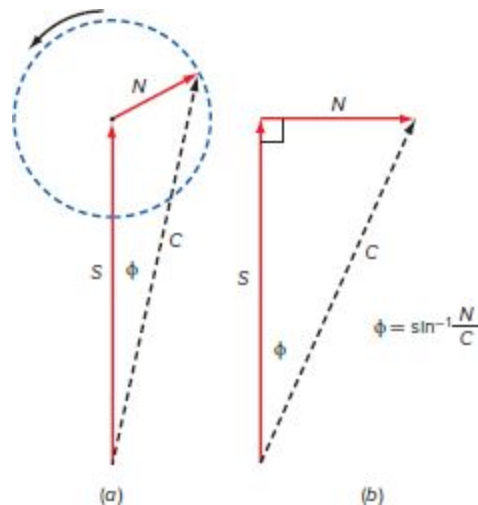
FM signals, however, have a constant modulated carrier amplitude, and FM receivers contain limiter circuits that deliberately restrict the amplitude of the received signal.

Any amplitude variations occurring on the FM signal are effectively clipped off, as shown in Fig. 5-11. This does not affect the information content of the FM signal, since it is contained solely within the frequency variations of the carrier. Because of the clipping action of the limiter circuits, noise is almost completely eliminated. Even if the peaks of the FM signal itself are clipped or flattened and the resulting signal is distorted, no information is lost. In fact, one of the primary benefits of FM over AM is its superior noise immunity. The process of demodulating or recovering an FM signal actually suppresses noise and improves the signal-to-noise ratio.

Noise and Phase Shift

The noise amplitude added to an FM signal introduces a small frequency variation, or phase shift, which changes or distorts the signal. Fig. 5-12 shows how this works. The carrier signal is represented by a fixed-length (amplitude) phasor S . The noise is usually a short-duration pulse containing many frequencies at many amplitudes and phases according to Fourier theory. To simplify the analysis, however, we assume a single high-frequency noise signal varying in phase. In Fig. 5-12(a), this noise signal is represented as a rotating phasor N . The composite signal of the carrier and the noise, labeled C , is a phasor whose amplitude is the phasor sum of the signal and noise and a phase angle shifted from the carrier by an amount ϕ . If you imagine the noise phasor rotating, you can also imagine the composite signal varying in amplitude and phase angle with respect to the carrier.

Figure 5-12 How noise introduces a phase shift.



The maximum phase shift occurs when the noise and signal phasors are at a right angle to each other, as illustrated in Fig. 5-12(b). This angle can be computed with the arcsine or inverse sine according to the formula

$$\phi = \sin^{-1} \frac{N}{C}$$

It is possible to determine just how much of a page 166 frequency shift a particular phase shift produces by using the formula

$$\delta = \phi(f_m)$$

where δ = frequency deviation produced by noise

ϕ = phase shift, rad

f_m = frequency of modulating signal

Assume that the signal-to-noise ratio (S/N) is 3 : 1 and the modulating signal frequency is 800 Hz. The phase shift is then $\phi = \sin^{-1}(N/S) = \sin^{-1}(1/3) = \sin^{-1}0.3333 = 19.47^\circ$. Since there is 57.3° per radian, this angle is $\phi = 19.47/57.3 = 0.34$ rad. The frequency deviation produced by this brief phase shift can be calculated as

$$\delta = 0.34(800) = 271.8 \text{ Hz}$$

Just how badly a particular phase shift will distort a signal depends on several factors. Looking at the formula for deviation, you can deduce that the worst-case phase shift and frequency deviation will occur at the highest modulating signal frequency. The overall effect of the shift depends upon the maximum allowed frequency shift for the application. If very high deviations are allowed, i.e., if there is a high modulation index, the shift can be small and inconsequential. If the total allowed deviation is small, then the noise-induced deviation can be severe. Remember that the noise interference is of very short duration; thus, the phase shift is momentary, and intelligibility is rarely severely impaired. With heavy noise, human speech might be temporarily garbled, but so much that it could not be understood.

Assume that the maximum allowed deviation is 5 kHz in the example above. The ratio of the shift produced by the noise to the maximum allowed deviation is

$$\frac{\text{Frequency deviation produced by noise}}{\text{Maximum allowed deviation}} = \frac{271.8}{5000} = 0.0544$$

This is only a bit more than a 5 percent shift. The 5-kHz deviation represents the maximum modulating signal amplitude. The 271.8-Hz shift is the noise amplitude. Therefore, this ratio is the noise-to-signal ratio N/S . The reciprocal of this value gives you the FM signal-to-noise ratio:

$$\frac{S}{N} = \frac{1}{N/S} = \frac{1}{0.0544} = 18.4$$

For FM, a 3:1 input S/N translates to an 18.4:1 output S/N .

Example 5-6

The input to an FM receiver has an S/N of 2.8. The modulating frequency is 1.5 kHz. The maximum permitted deviation is 4 kHz. What are (a) the frequency deviation caused by the noise and (b) the improved output S/N ?

$$\text{a. } \phi = \sin^{-1} \frac{N}{S} = \sin^{-1} \frac{1}{2.8} = \sin^{-1} 0.3571 = 20.92^\circ \quad \text{or} \quad 0.3652 \text{ rad}$$

$$\delta = \phi(f_m) = (0.3652)(1.5 \text{ kHz}) = 547.8 \text{ Hz}$$

$$\text{b. } \frac{N}{S} = \frac{\text{frequency deviation produced by noise}}{\text{maximum allowed deviation}} = \frac{547.8}{4000}$$

$$\frac{N}{S} = 0.13695$$

$$\frac{S}{N} = \frac{1}{N/S} = 7.3$$

Preemphasis

Noise *can* interfere with an FM signal, and particularly with the high-frequency components of the modulating signal. Since noise is primarily sharp spikes of energy, it contains a lot of harmonics and other high-frequency components. These frequencies can be larger in amplitude than the high-frequency content of the modulating signal, causing frequency distortion that can make the signal unintelligible.

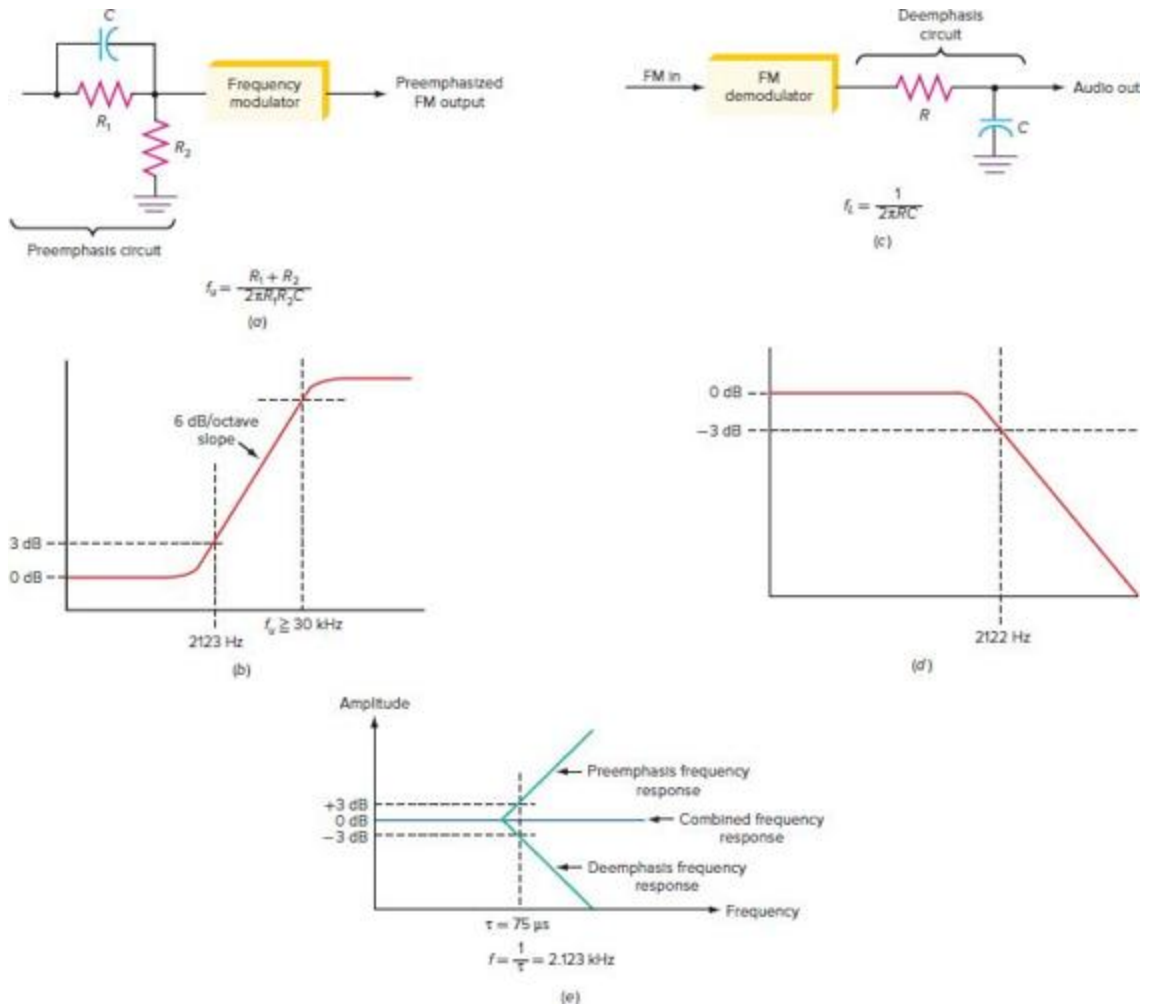
Most of the content of a modulating signal, particularly voice, is at low frequencies. In voice communication systems, the bandwidth of the signal is limited to about 3 kHz, which permits acceptable intelligibility. In contrast, musical instruments typically generate signals at low frequencies but contain many high-frequency harmonics that give them their unique sound and must be passed if that sound is to be preserved. Thus a wide bandwidth is needed in high-fidelity systems. Since the high-frequency components are usually at a very low level, noise can obliterate them.

To overcome this problem, most FM systems use a technique known as *preemphasis* that helps offset high-frequency noise interference. At the transmitter, the modulating signal is passed through a simple network that amplifies the high-frequency components more than the low-frequency components. The simplest form of such a circuit is a simple high-pass filter of the type shown in Fig. 5-13(a). Specifications dictate a time constant t of $75 \mu\text{s}$, where $t = RC$. Any combination of resistor and capacitor (or resistor and inductor) giving this time constant will work.

Preemphasis

$$f_c = \frac{1}{2\pi RC} = \frac{1}{2\pi t} = \frac{1}{2\pi(75 \mu\text{s})} = 2123 \text{ Hz}$$

Figure 5-13 Preemphasis and deemphasis. (a) Preemphasis circuit. (b) Preemphasis curve. (c) Deemphasis circuit. (d) Deemphasis curve. (e) Combined frequency response.



Such a circuit has a cutoff frequency of 2122 Hz; frequencies higher than 2122 Hz will be linearly enhanced. The output amplitude increases with frequency at a rate of 6 dB per octave. The preemphasis circuit increases the energy content of the higher-frequency signals so that they become stronger than the high-frequency noise components. This improves the signal-to-noise ratio and increases intelligibility and fidelity.

The preemphasis circuit also has an upper break page 168 frequency f_{us} at which the signal enhancement flattens out [see Fig. 5-13(b)], which is computed with the formula

$$f_u = \frac{R_1 + R_2}{2\pi R_1 R_2 C}$$

The value of f_u is usually set well beyond the audio range and is typically greater than 30 kHz.

To return the frequency response to its normal, “flat” level, a *deemphasis circuit*, a simple low-pass filter with a time constant of $75 \mu\text{s}$, is used at the receiver [see Fig. 5-13(c)]. Signals above its cutoff frequency of 2123 Hz are attenuated at the rate of 6 dB per octave. The response curve is shown in Fig. 5-13(d). As a result, the preemphasis at the transmitter is exactly offset by the deemphasis circuit in the receiver, providing a flat frequency response. The combined effect of preemphasis and deemphasis is to increase the signal-to-noise ratio for the high-frequency components during transmission so that they will be stronger and not masked by noise. Fig. 5-13(e) shows the overall effect of preemphasis and deemphasis.

Deemphasis circuit

5-5 Frequency Modulation Versus Amplitude Modulation

Advantages of FM

In general, FM is considered to be superior to AM. Although both AM and FM signals can be used to transmit information from one place to another, FM typically offers some significant benefits over AM.

Noise Immunity. The main benefit of FM over AM is its superior immunity to noise, made possible by the clipper limiter circuits in the receiver, which effectively strip off all the noise variations, leaving a constant-amplitude FM signal.

Although clipping does not result in total recovery in all cases, FM can nevertheless tolerate a much higher noise level than AM for a given carrier amplitude. This is also true for phase-shift-induced distortion.

Capture Effect. Another major benefit of FM is that interfering signals on the same frequency are effectively rejected. Because of the amplitude limiters and the demodulating methods used by FM receivers, a phenomenon known as the *capture effect* takes place when two or more FM signals occur simultaneously on the same frequency. If one signal is more than twice the amplitude of the other, the stronger signal captures the channel, totally eliminating the weaker signal. With modern receiver circuitry, a difference in signal amplitudes of only 1 dB is usually sufficient to produce the capture effect. In contrast, when two AM signals occupy the same frequency, both signals are generally heard, regardless of their relative signal strengths. When one AM signal is significantly stronger than another, naturally the stronger signal is intelligible; however, the weaker signal is not eliminated and can still be heard in the background. When the signal strengths of given AM signals are nearly the same, they will interfere with each other, making both nearly unintelligible.

Capture effect

Although the capture effect prevents the weaker of two FM signals from being heard, when two stations are broadcasting signals of approximately the same amplitude, first one may be captured and then the other. This can happen, e.g., when a driver moving along a highway is listening to a clear broadcast on a particular frequency. At some point, the driver may suddenly hear the other broadcast, completely losing the first, and then, just as suddenly, hear the original broadcast again. Which one

dominates depends on where the car is and on the relative signal strengths of the two signals.

Transmitter Efficiency. A third advantage of FM over AM involves efficiency. Recall that AM can be produced by both low-level and high-level modulation techniques. The most efficient is high-level modulation in which a class C amplifier is used as the final RF power stage and is modulated by a high-power modulation amplifier. The AM transmitter must produce both very high RF and modulating signal power. In addition, at very high power levels, large-modulation amplifiers are impractical. Under such conditions, low-level modulation must be used if the AM information is to be preserved without distortion. The AM signal is generated at a lower level and then amplified with linear amplifiers to produce the final RF signal. Linear amplifiers are either class A or class B and are far less efficient than class C amplifiers.

FM signals have a constant amplitude, and it is page 170 therefore not necessary to use linear amplifiers to increase their power level. In fact, FM signals are always generated at a lower level and then amplified by a series of class C amplifiers to increase their power. The result is greater use of available power because of the high level of efficiency of class C amplifiers. Even more efficient class D, E, or F amplifiers are also used in FM or PM equipment.

Disadvantages of FM

Perhaps the greatest disadvantage of FM is that it simply uses too much spectrum space. The bandwidth of an FM signal is, in general, considerably wider than that of an AM signal transmitting similar information. Although it is possible to keep the modulation index low to minimize bandwidth, reducing the modulation index also reduces the noise immunity of an FM signal. In commercial two-way FM radio systems, the maximum allowed deviation is 5 kHz, with a maximum modulating frequency of 3 kHz. This produces a deviation ratio of $5/3 = 1.67$. Deviation ratios as low as 0.25 are possible, although they result in signals that are much less desirable than wideband FM signals. Both of these deviation ratios are classified as narrowband FM.

Since FM occupies so much bandwidth, it is typically used only in those portions of the spectrum where adequate bandwidth is available, i.e., at very high frequencies. In fact, it is rarely used below frequencies of 30 MHz. Most FM communication work is done at the VHF, UHF, and microwave frequencies.

FM and AM Applications

Here are some of the major applications for AM and FM.

Application	Type of Modulation
FM broadcast radio	FM
FM stereo multiplex sound	DSB (AM) and FM
Cellular telephone	PSK, QAM (AM plus PSK)
Cordless telephone	FM, PSK
Marine radio	FM and SSB (AM)
Mobile and handheld radio	FM, digital
Amateur radio	FM and SSB (AM)
Computer modems	FSK, PSK, QAM (AM plus PSK)
Family Radio service	FM
Bluetooth radio	GFSK
Z-Wave	GFSK

Online Activity

5-1 FM Radio Applications

Objective: Determine the modern uses of FM radio today.

Procedure:

1. Perform Internet searches on the terms *FM*, *FM radio applications*, *FSK*, or similar terms.
2. Look for the major uses of FM. What services use FM?
3. Answer the following questions. Keep searching until all questions are answered.

Questions:

1. Name at least five places where FM is still used.
2. What is the main benefit of FM over AM?
3. What is the main disadvantage of FM?
4. In what frequency range is FM normally used?
5. What is the digital version of FM called?

Questions

1. What is the general name given to both FM and PM?
2. State the effect on the amplitude of the carrier during FM or PM.
3. What are the name and mathematical expressions for the amount that the carrier varies from its unmodulated center frequency during modulation?
4. State how the frequency of a carrier varies in an FM system when the modulating signal amplitude and frequency change.

- 5.** State how the frequency of a carrier varies in a PM system when the modulating signal amplitude and frequency change.
- 6.** When does maximum frequency deviation occur in an FM signal? A PM signal?
- 7.** State the conditions that must exist for a phase modulator to produce FM.
- 8.** What do you call FM produced by PM techniques?
- 9.** State the nature of the output of a phase modulator during the time when the modulating signal voltage is constant.
- 10.** What is the name given to the process of frequency modulation of a carrier by binary data?
- 11.** What is the name given to the process of phase modulation of a carrier by binary data?
- 12.** How must the nature of the modulating signal be modified to produce FM by PM techniques?
- 13.** What is the difference between the modulation index and the deviation ratio?
- 14.** Define narrowband FM. What criterion is used to indicate NBFM?
- 15.** What is the name of the mathematical equation used to solve for the number and amplitude of sidebands in an FM signal?
- 16.** What is the meaning of a negative sign on the sideband value in Fig. 5-8?
- 17.** Name two ways that noise affects an FM signal.
- 18.** How is the noise on an FM signal minimized at the receiver?
- 19.** What is the primary advantage of FM over AM?
- 20.** List two additional advantages of FM over AM.
- 21.** What is the nature of the noise that usually accompanies a radio signal?
- 22.** In what ways is an FM transmitter more efficient than a low-level AM transmitter? Explain.

- 23.** What is the main disadvantage of FM over AM? State two ways in which this disadvantage can be overcome.
- 24.** What type of power amplifier is used to amplify FM signals? Low-level AM signals?
- 25.** What is the name of the receiver circuit that eliminates noise?
- 26.** What is the capture effect and what causes it?
- 27.** What is the nature of the modulating signals that are most negatively affected by noise on an FM signal?
- 28.** Describe the process of preemphasis. How does it improve communication performance in the presence of noise? Where is it performed, at the transmitter or receiver?
- 29.** What is the basic circuit used to produce preemphasis?
- 30.** Describe the process of deemphasis. Where is it performed, at the transmitter or receiver?
- 31.** What type of circuit is used to accomplish deemphasis?
- 32.** What is the cutoff frequency of preemphasis and deemphasis circuits?
- 33.** List two popular radio standards that use GFSK.
- 34.** What process is used to minimize the bandwidth of an FSK signal?
- 35.** What is the name of the FSK method that minimizes the bandwidth usage?
- 36.** What causes the bandwidth of an FSK signal to widen if the two frequencies are not properly selected?
- 37.** What is a Gaussian filter and what is its main function in FSK?

Problems

- 1.** A 162-MHz carrier is deviated by 12 kHz by a 2-kHz modulating signal. What is the modulation index? ◆

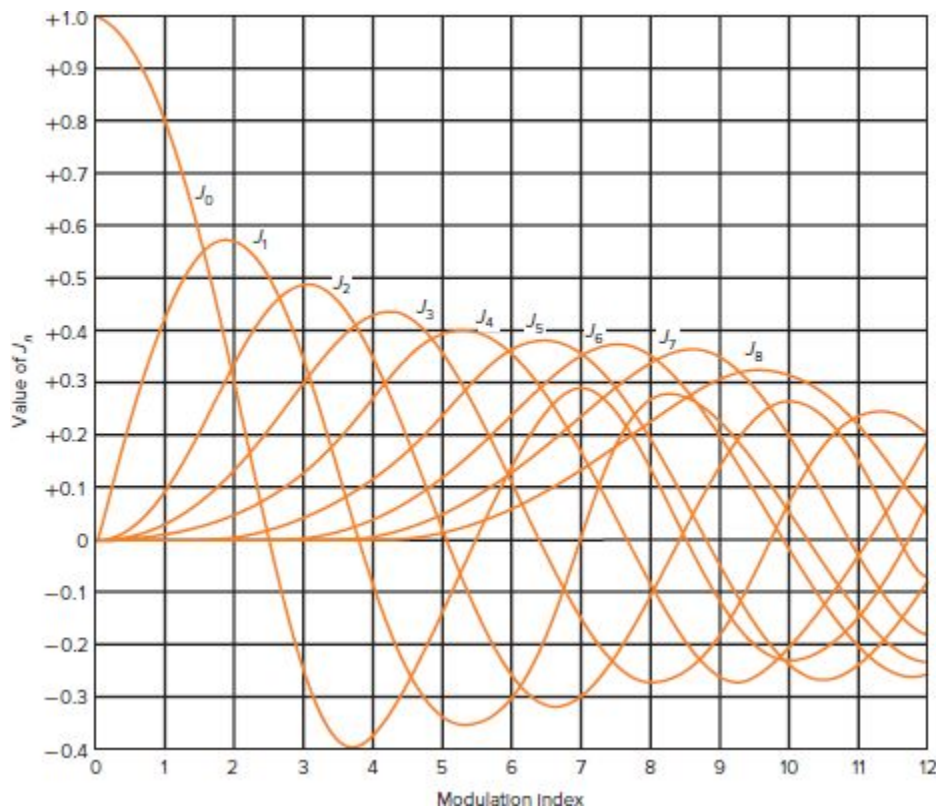
2. The maximum deviation of an FM carrier with a 2.5-kHz signal is 4 kHz. What is the deviation ratio?
3. For Problems 1 and 2, compute the bandwidth occupied by the signal, by using the conventional method and Carson's rule. Sketch the spectrum of each signal, showing all significant sidebands and their exact amplitudes.
4. For a single-frequency sine wave modulating signal of 3 kHz with a carrier frequency of 36 MHz, what is the spacing between sidebands?
5. What are the relative amplitudes of the fourth pair of sidebands for an FM signal with a deviation ratio of 8?
◆
6. At approximately what modulation index does the amplitude of the first pair of sidebands go to zero? Use Fig. 5-8 or 5-9 to find the lowest modulation index that gives this result.
7. An available channel for FM transmission is 30 kHz wide. The maximum allowable modulating signal frequency is 3.5 kHz. What deviation ratio should be used? ◆
8. The signal-to-noise ratio in an FM system is 4:1. The maximum allowed deviation is 4 kHz. How much frequency deviation is introduced by the phase shift caused by the noise when the modulating frequency is 650 Hz? What is the real signal-to-noise ratio?
9. A deemphasis circuit has a capacitor value of $0.02 \mu\text{F}$. What value of resistor is needed? Give the closest standard EIA value. ◆
10. Use Carson's rule to determine the bandwidth of an FM channel when the maximum deviation allowed is 5 kHz at frequencies up to 3.333 kHz. Sketch the spectrum, showing carrier and sideband values.
11. An MSK signal has a data rate 4800 bps. What are the two MSK frequencies?

Critical Thinking

- 1.** The AM broadcast band consists of 107 channels for stations 10 kHz wide. The maximum permitted modulating frequency is 5 kHz. Could FM be used on this band? If so, explain what would be necessary to make it happen.
- 2.** A carrier of 49 MHz is frequency-modulated by a 1.5-kHz square wave. The modulation index is 0.25. Sketch the spectrum of the resulting signal. (Assume that only harmonics less than the sixth are passed by the system.)
- 3.** The FM radio broadcast band is allocated the frequency spectrum from 88 to 108 MHz. There are 100 channels spaced 200 kHz apart. The first channel center frequency is 88.1 MHz; the last, or 100th, channel center frequency is 107.9 MHz. Each 200-kHz channel has a 150-kHz modulation bandwidth with 25-kHz “guard bands” on either side of it to minimize the effects of overmodulation (overdeviation). The FM broadcast band permits a maximum deviation of ± 75 kHz and a maximum modulating frequency of 15 kHz.
 - a.** Draw the frequency spectrum of the channel centered on 99.9 MHz, showing all relevant frequencies.
 - b.** Draw the frequency spectrum of the FM band, showing details of the three lowest-frequency channels and the three highest-frequency channels.
 - c.** Determine the bandwidth of the FM signal by using the deviation ratio and the Bessel table.
 - d.** Determine the bandwidth of the FM signal by using Carson’s rule.

- e. Which of the above bandwidth calculations best fits the available channel bandwidth?
4. A 450-MHz radio transmitter uses FM with a maximum allowed deviation of 6 kHz and a maximum modulating frequency of 3.5 kHz. What is the minimum bandwidth required? Use Fig. 5-14 to determine the approximate amplitudes of the carrier and the first three significant sidebands.

Figure 5-14



5. Assume that you could transmit digital data over the FM broadcast band radio station. The maximum allowed bandwidth is 200 kHz. The maximum deviation is 75 kHz, and the deviation ratio is 5. Assuming that you wished to preserve up to the third harmonic, what is the highest-frequency square wave you could transmit?

6. In selecting FSK frequencies, how can the bandwidth of the signal be reduced?

FM Circuits

Many different circuits have been created to produce FM and PM signals and to demodulate them. Today, most of those circuits are obsolete and never used, because of several factors. First, new and better circuits have been invented. Second, semiconductor manufacturing has improved dramatically over the years such that it is possible to put even the most complex circuits into integrated circuit (IC) form. Modulators are integrated with transmitters and demodulators are integrated with receivers. Third, digital signal processing (DSP) is commonplace and a high percentage of communication circuits such as modulators and demodulators are expressed mathematically, implemented in software, and executed by a processor.

Despite these developments, it is useful for us to consider some of the older and more popular circuits to gain perspective and an understanding of the fundamentals.

Objectives

After completing this chapter, you will be able to:

- Explain the physical construction, biasing, operation, and application of a varactor diode.
- Show how crystal oscillator circuits generate FM using varactors.

- Explain the general principles of phase modulator circuits and list the basic techniques for achieving phase shift.
- Calculate the total frequency deviation of an FM transmitter given the original oscillator frequency and the frequency multiplication factor.
- Describe the operation of a quadrature detector.
- Draw a block diagram of a phase-locked loop (PLL), state what each component does, explain the operation of the circuit, and define the capture range and the lock range of a PLL.
- Explain the operation of a PLL as a frequency demodulator and modulator.
- Explain the concepts and operation of FSK modulators and demodulators.

6-1 Frequency Modulators

page 175

A *frequency modulator* is a circuit that varies *carrier frequency* in accordance with the modulating signal. The carrier is generated by either an *LC* or a crystal oscillator circuit, and so a way must be found to change the frequency of oscillation. In an *LC* oscillator, the carrier frequency is fixed by the values of the inductance and capacitance in a tuned circuit, and the carrier frequency can therefore be changed by varying either inductance or capacitance. The idea is to find a circuit or component that converts a modulating voltage to a corresponding change in capacitance or inductance.

Frequency modulator

Carrier frequency

When the carrier is generated by a crystal oscillator, the frequency is fixed by the crystal. However, keep in mind that the equivalent circuit of a crystal is an *LCR* circuit with both series and parallel resonant points. Connecting an external capacitor to the crystal allows minor variations in operating frequency to be obtained. Again, the objective is to find a circuit or component whose capacitance will change in response to the modulating signal. The component most frequently used for this purpose is a *varactor*. Also known as a voltage variable capacitor, variable capacitance diode, or varicap, this device is basically a semiconductor junction diode operated in a reverse-bias mode.

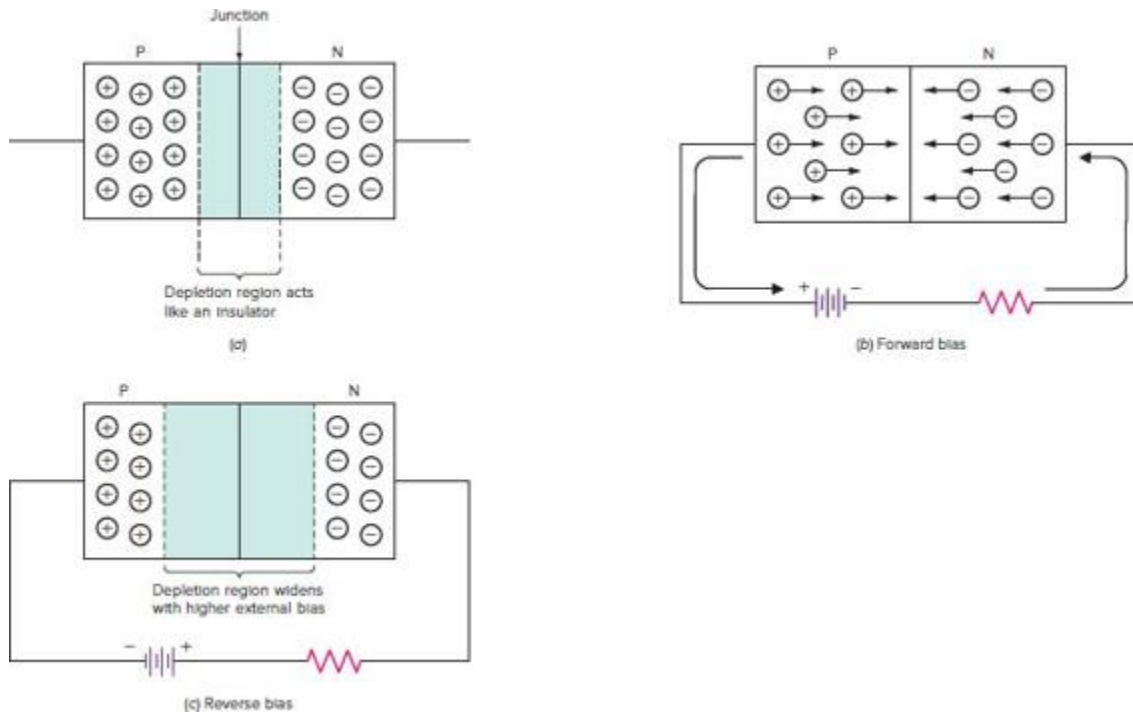
Varactor

Varactor Operation

A junction diode is created when P- and N-type semiconductors are formed during the manufacturing process. Some electrons in the N-type material drift over into the P-type material and neutralize the holes there [see Fig. 6-1(a)], forming a thin area called the *depletion region*, where there are no free carriers, holes, or electrons. This region acts as a thin insulator that prevents current from flowing through the device.

Depletion region

Figure 6-1 Depletion region in a junction diode.



If a forward bias is applied to the diode, it will page 176 conduct. The external potential forces the holes and electrons toward the junction, where they combine and cause a continuous current inside the diode as well as externally. The depletion layer simply disappears [see Fig. 6-1(b)]. If an external reverse bias is applied to the diode, as in Fig. 6-1(c), no current will flow. The bias increases the width of the depletion layer, with the amount of increase depending on the amount of the reverse bias. The higher the reverse bias, the wider the depletion layer and the less chance for current flow.

A reverse-biased junction diode acts as a small capacitor. The P- and N-type materials act as the two plates of the capacitor, and the depletion region acts as the dielectric. With all the active current carriers (electrons and holes) neutralized in the depletion region, it functions just as an insulating material. The width of the depletion layer determines the width of the dielectric and, therefore, the amount of capacitance. If the reverse bias is high, the depletion region will be wide and the dielectric will cause

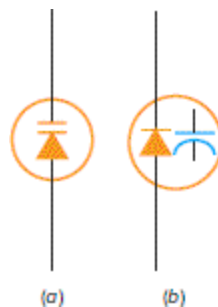
the plates of the capacitor to be widely spaced, producing a low capacitance. Decreasing the amount of reverse bias narrows the depletion region; the plates of the capacitor are effectively closer together, producing a higher capacitance.

GOOD TO KNOW

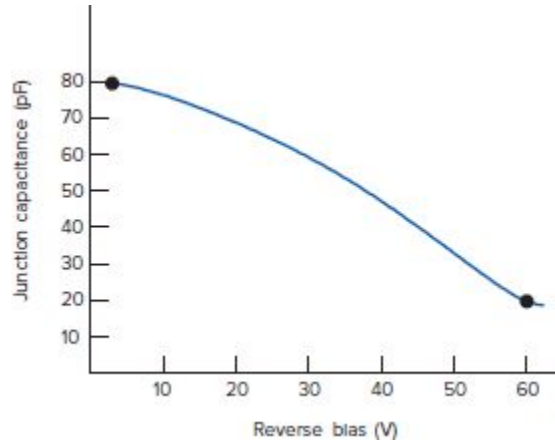
Varactors are made with a wide range of capacitance values, most units having a nominal capacitance in the 1- to 200-pF range. The capacitance variation range can be as high as 12:1.

All junction diodes exhibit variable capacitance as the reverse bias is changed. However, varactors are designed to optimize this particular characteristic, so that the capacitance variations are as wide and linear as possible. The symbols used to represent varactor diodes are shown in Fig. 6-2.

Figure 6-2 Schematic symbols of a varactor diode.



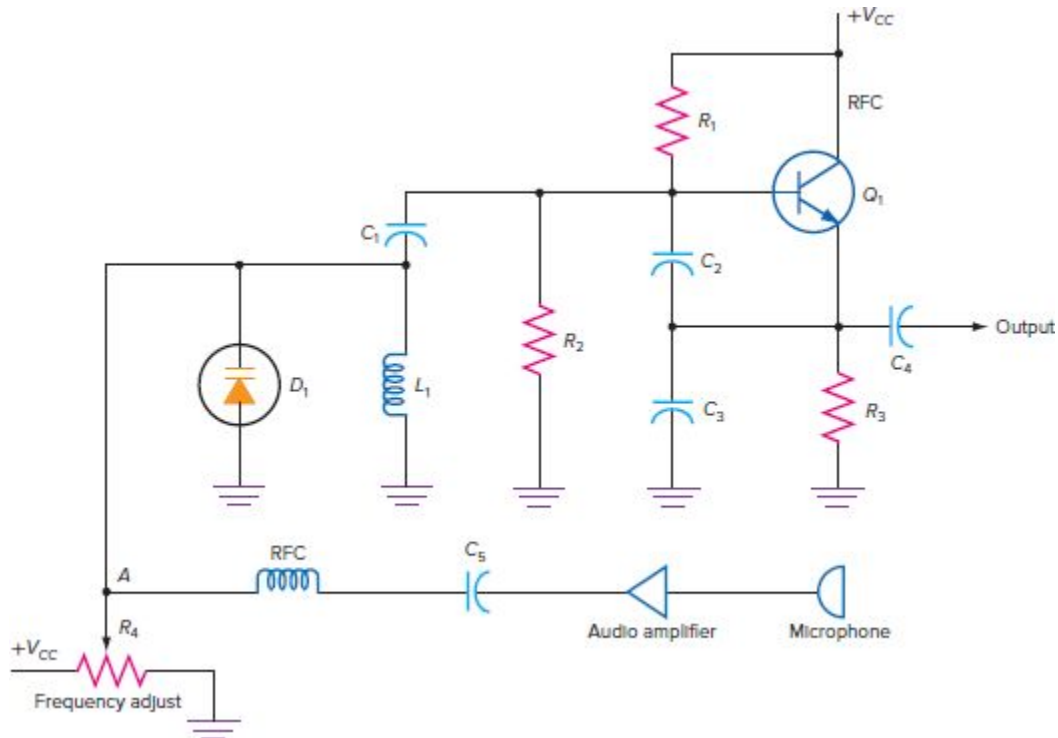
Varactors are made with a wide range of capacitance values, most units having a nominal capacitance in the 1- to 200-pF range. The capacitance variation range can be as high as 12 :1. Fig. 6-3 shows the curve for a typical diode. A maximum capacitance of 80 pF is obtained at 1 V. With 60 V applied, the capacitance drops to 20 pF, a 4 :1 range. The operating range is usually restricted to the linear center portion of the curve.

Figure 6-3 Capacitance versus reverse junction voltage for a typical varactor.

Varactor Modulators

Fig. 6-4, a carrier oscillator for a transmitter, shows the basic concept of a varactor frequency modulator. The capacitance of varactor diode D_1 and L_1 forms the parallel-tuned circuit of the oscillator. The value of C_1 is made very large at the operating frequency so that its reactance is very low. As a result, C_1 connects the tuned circuit to the oscillator circuit. Also C_1 blocks the dc bias on the base of Q_1 from being shorted to ground through L_1 . The values of L_1 and D_1 fix the center carrier frequency.

Figure 6-4 A direct-frequency-modulated carrier oscillator using a varactor diode.



The capacitance of D_1 is controlled in two ways, through a fixed dc bias and by the modulating signal. In Fig. 6-4, the bias on D_1 is set by the voltage divider potentiometer R_4 . Varying R_4 allows the center carrier frequency to be adjusted over a narrow range. The modulating signal is applied through C_5 and the radio frequency choke (RFC); C_5 is a blocking capacitor that keeps the dc varactor bias out of the modulating-signal circuits. The reactance of the RFC is high at the carrier frequency to prevent the carrier signal from getting back into the audio modulating-signal circuits.

The modulating signal derived from the microphone is amplified and applied to the modulator. As the modulating signal varies, it adds to and subtracts from the fixed-bias voltage. Thus, the effective voltage applied to D_1 causes its capacitance to vary. This, in turn, produces the desired deviation of the carrier frequency. A positive-going signal at point A adds to the reverse bias, decreasing the capacitance and increasing the carrier frequency. A negative-going signal

at A subtracts from the bias, increasing the capacitance and decreasing the carrier frequency.

Example 6-1

The value of capacitance of a varactor at the center of its linear range is 40 pF. This varactor will be in parallel with a fixed 20-pF capacitor. What value of inductance should be used to resonate this combination to 5.5 MHz in an oscillator? Total capacitance $C_T = 40 + 20 = 60$ pF.

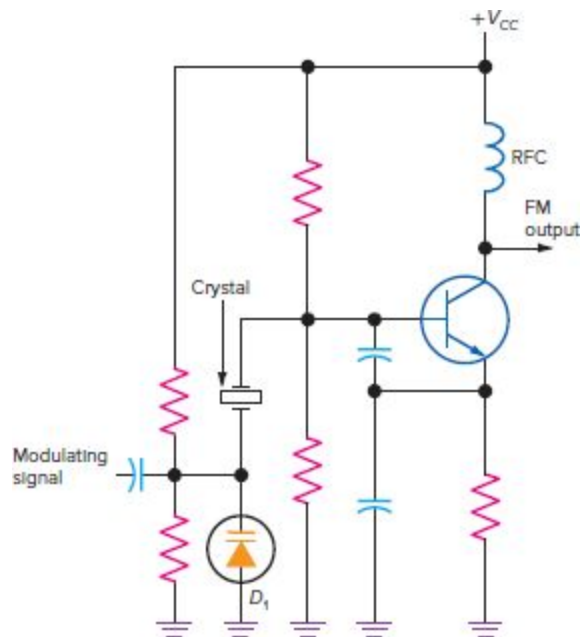
$$f_0 = 5.5 \text{ MHz} = \frac{1}{2\pi\sqrt{LC_T}}$$
$$L = \frac{1}{(2\pi f)^2 C_T} = \frac{1}{(6.28 \times 5.5 \times 10^6)^2 \times 60 \times 10^{-12}}$$
$$L = 13.97 \times 10^{-6} \text{ H} \quad \text{or} \quad 14 \mu\text{H}$$

The main problem with the circuit in Fig. 6-4 is that most LC oscillators are simply not stable enough to provide a carrier signal. Even with high-quality components and optimal design, the frequency of LC oscillators will vary because of temperature changes, variations in circuit voltage, and other factors. Such instabilities cannot be tolerated in most modern electronic communication systems, where a transmitter must stay on frequency as precisely as possible. The LC oscillators simply are not stable enough to meet the stringent requirements imposed by the FCC. As a result, crystal oscillators are normally used to set carrier frequency. Not only do crystal oscillators provide a highly accurate carrier frequency, but also their frequency stability is superior over a wide temperature range.

Frequency-Modulating a Crystal Oscillator

It is possible to vary the frequency of a crystal oscillator by changing the value of capacitance in series or in parallel with the crystal. Fig. 6-5 shows a typical crystal oscillator. When a small value of capacitance is connected in series with the crystal, the crystal frequency can be “pulled” slightly from its natural resonant frequency. By making the series capacitance a varactor diode, frequency modulation of the crystal oscillator can be achieved. The modulating signal is applied to the varactor diode D_1 , which changes the oscillator frequency.

Figure 6-5 Frequency modulation of a crystal oscillator with a VVC.



It is important to note that only a very small [page 179](#) frequency deviation is possible with frequency-modulated crystal oscillators. Rarely can the frequency of a crystal oscillator be changed more than several hundred hertz from the nominal crystal value. The resulting deviation

may be less than the total deviation desired. For example, to achieve a total frequency shift of 75 kHz, which is necessary in commercial FM broadcasting, other techniques must be used. In NBFM communication systems, the narrower deviations are acceptable.

Although it is possible to achieve a deviation of only several hundred cycles from the crystal oscillator frequency, the total deviation can be increased by using frequency multiplier circuits after the carrier oscillator. A *frequency multiplier circuit* is one whose output frequency is some integer multiple of the input frequency. A frequency multiplier that multiplies a frequency by 2 is called a *doubler*, a frequency multiplier circuit that multiplies an input frequency by 3 is called a *tripler*, and so on. Frequency multipliers can also be cascaded.

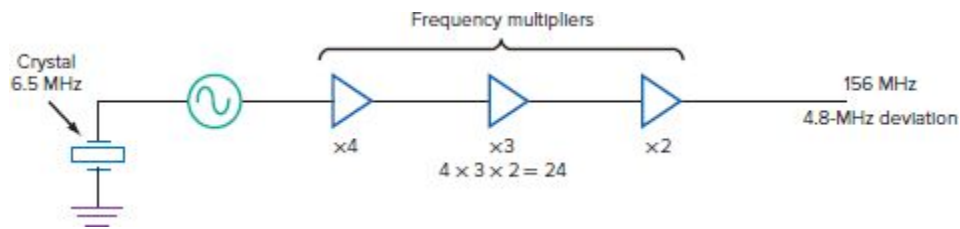
Frequency multiplier circuit

Doubler

Tripler

When the FM signal is applied to a frequency multiplier, both the carrier frequency of operation and the amount of deviation are increased. Typical frequency multipliers can increase the carrier oscillator frequency by 24 to 32 times. Fig. 6-6 shows how frequency multipliers increase carrier frequency and deviation. The desired output frequency from the FM transmitter in the figure is 156 MHz, and the desired maximum frequency deviation is 5 kHz. The carrier is generated by a 6.5-MHz crystal oscillator, which is followed by frequency multiplier circuits that increase the frequency by a factor of 24 ($6.5 \text{ MHz} \times 24 = 156 \text{ MHz}$). Frequency modulation of the crystal oscillator by the varactor produces a maximum deviation of only 200 Hz. When multiplied by a factor of 24 in the frequency multiplier circuits, this deviation is increased to $200 \times 24 = 4800 \text{ Hz}$, or 4.8 kHz, which is close to the desired deviation. Frequency multiplier circuits are discussed in greater detail in Chap. 8.

Figure 6-6 How frequency multipliers increase carrier frequency and deviation.



Voltage-Controlled Oscillators

Oscillators whose frequencies are controlled by an external input voltage are generally referred to as *voltage-controlled oscillators (VCOs)*. *Voltage-controlled crystal oscillators (VXOs)* are generally referred to as VXOs. Although some VCOs are used primarily in FM, they are also used in other applications where voltage-to-frequency conversion is required. As you will see, their most common application is in phase-locked loops, discussed later in this chapter.

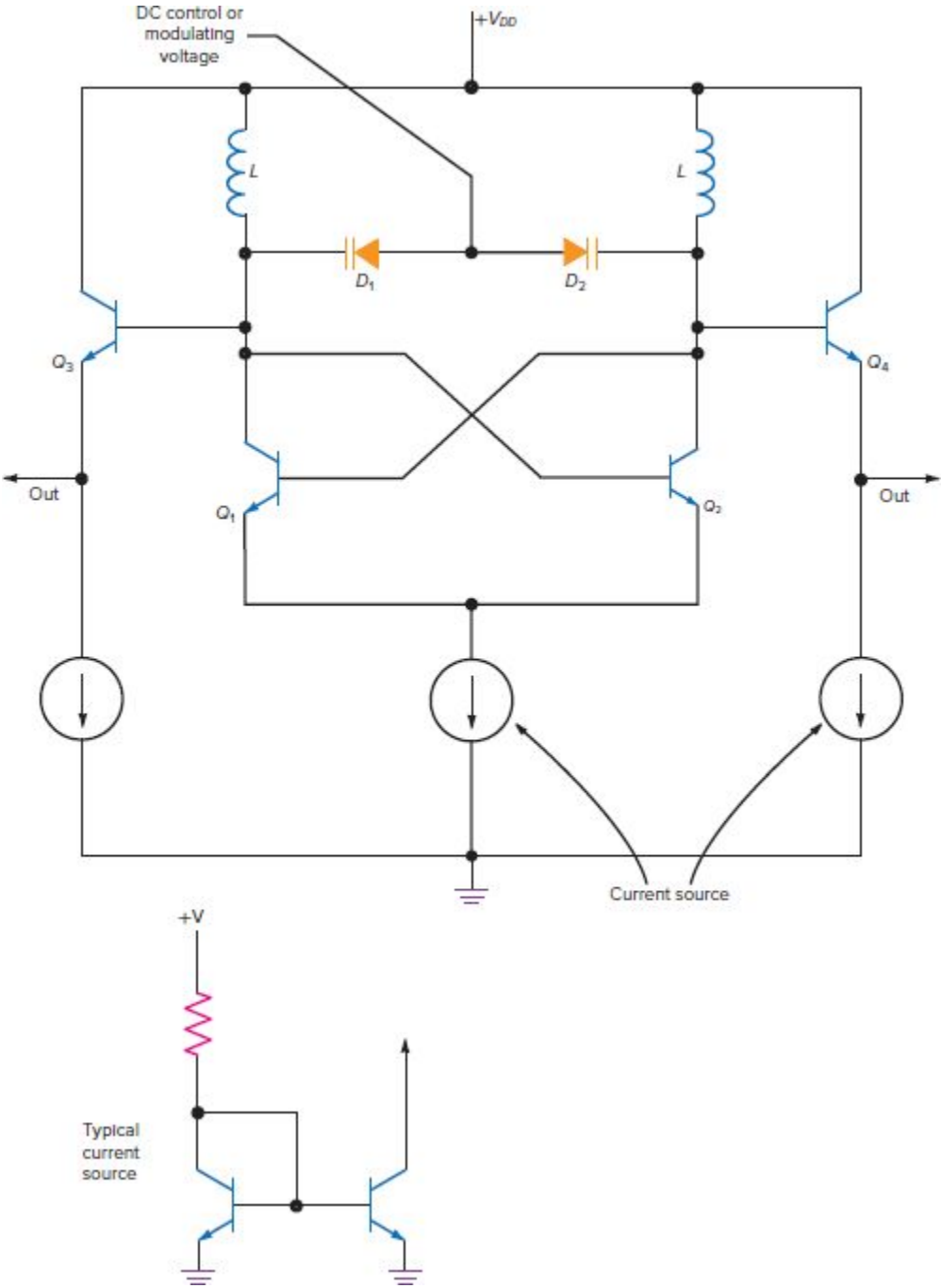
Voltage-controlled oscillator (VCO)

Voltage-controlled crystal oscillator (VXO)

Although VCOs for VHF, UHF, and microwaves are still implemented with discrete components, more and more they are being integrated on a single chip of silicon along with other transmitter or receiver circuits. An example of such a VCO is shown in Fig. 6-7. This circuit uses a silicon-germanium (SiGe) bipolar transistor to achieve an operating frequency centered near 10 GHz. The oscillator uses cross-coupled transistors Q_1 and Q_2 in a multivibrator or flip-flop type of design. The signal is a sine wave whose frequency is set by the collector inductances and varactor capacitances. The modulating voltage, usually a binary signal to produce FSK, is applied to the junction of D_1 and D_2 . Two complementary outputs are available from the emitter followers Q_3 and Q_4 . In this circuit, the inductors are actually

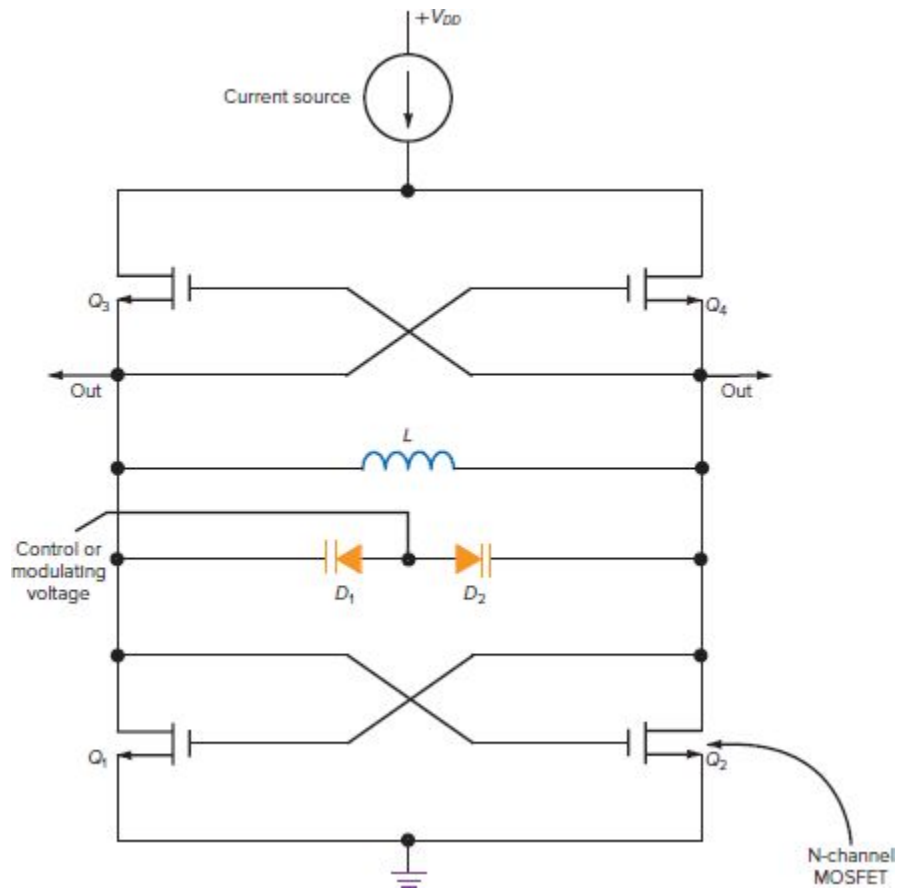
tiny spirals of aluminum (or copper) inside the chip, with inductance in the 500- to 900-pH range. The varactors are reverse-biased diodes that function as variable capacitors. The tuning range is from 9.953 to 10.66 GHz.

Figure 6-7 A 10-GHz SiGe integrated VCO.



A CMOS version of the VCO is shown in Fig. 6-8. This circuit also uses a cross-coupled LC resonant circuit design and operates in the 2.4- to 2.5-GHz range. Variations of it are used in Bluetooth transceivers and wireless LAN applications. (See Chap. 20.)

Figure 6-8 A CMOS VCO for a 2.4-GHz FSK.



6-2 Phase Modulators

Phase modulator

Most modern FM transmitters use some form of phase modulation to produce indirect FM. The reason for using PM instead of direct FM is that the carrier oscillator can be optimized for frequency accuracy and stability. Crystal

oscillators or crystal-controlled frequency synthesizers can be used to set the carrier frequency accurately and maintain solid stability.

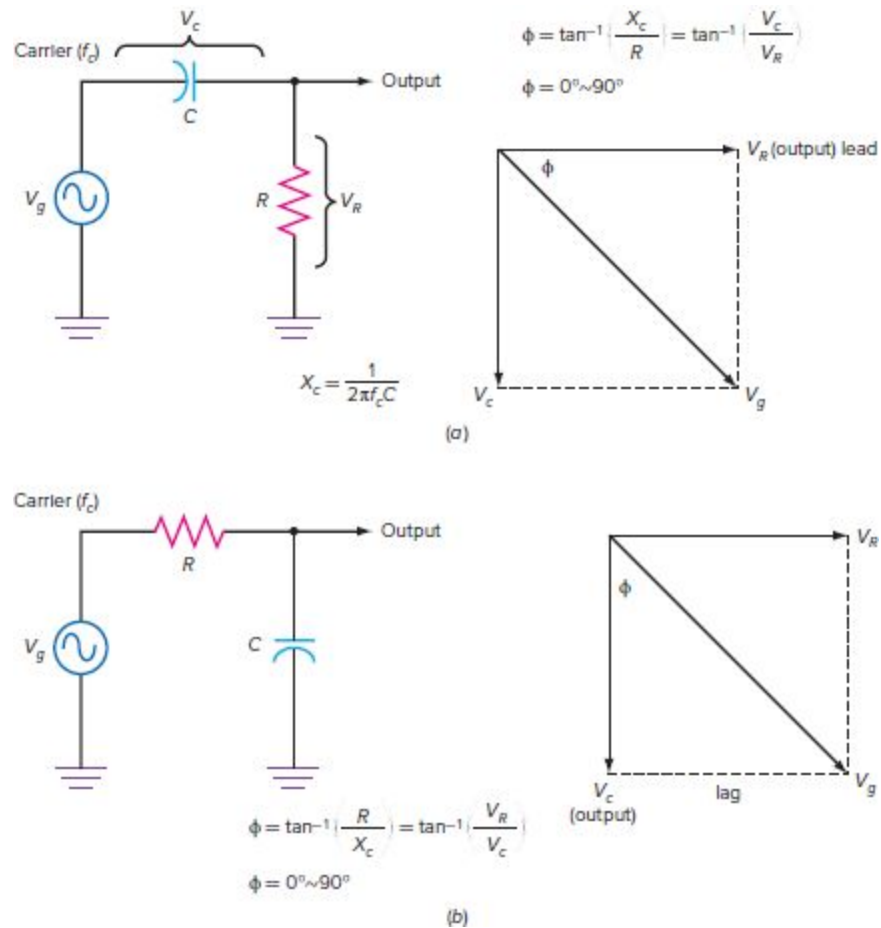
The output of the carrier oscillator is fed to a phase modulator where the phase shift is made to vary in accordance with the modulating signal. Since phase variations produce frequency variations, indirect FM is the result.

GOOD TO KNOW

Simple phase shifters do not produce a linear response over a large range of phase shift. To compensate for this, restrict the total allowable phase shift to maximize linearity. Multipliers must also be used to achieve the desired deviation.

Some phase modulators are based upon the phase shift produced by an *RC* or *LC* tuned circuit. It should be pointed out that simple phase shifters of this type do not produce linear response over a large range of phase shift. The total allowable phase shift must be restricted to maximize linearity, and multipliers must be used to achieve the desired deviation. The simplest phase shifters are *RC* networks like those shown in Fig. 6-9(a) and (b). Depending on the values of *R* and *C*, the output of the phase shifter can be set to any phase angle between 0 and 90°. In (a), the output leads the input by some angle between 0 and 90°. For example, when X_c equals *R*, the phase shift is 45°. The phase shift is computed by using the formula

$$\phi = \tan^{-1} \frac{X_C}{R}$$

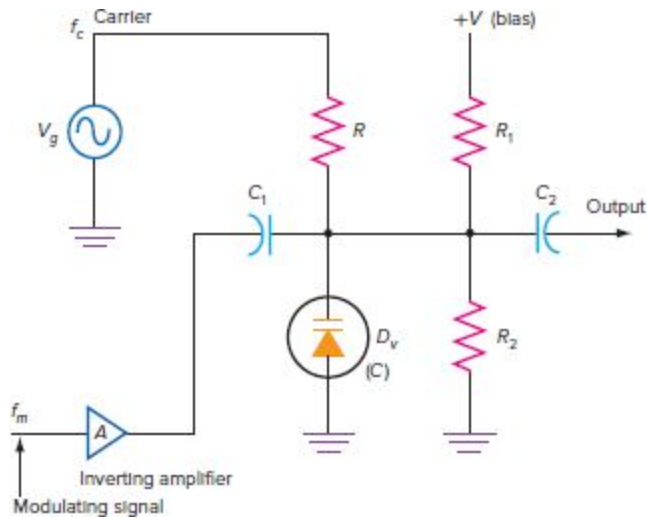


A low-pass RC filter can also be used, as shown in Fig. 6-9(b). Here the output is taken from across the capacitor, so it lags the input voltage by some angle between 0 and 90° . The phase angle is computed by using the formula

$$\phi = \tan^{-1} \frac{R}{X_C}$$

A simple phase-shift circuit can be used as a phase modulator if the resistance or capacitance can be made to vary with the modulating signal. One way to do this is to replace the capacitor shown in the circuit of Fig. 6-9(b) with a varactor. The resulting phase-shift circuit is shown in Fig. 6-10.

Figure 6-10 A varactor phase modulator.



In this circuit, the modulating signal causes the capacitance of the varactor to change. If the modulating signal amplitude at the output of amplifier A becomes more positive, it adds to the varactor reverse bias from R_1 and R_2 , causing the capacitance to decrease. This causes the reactance to increase; thus, the circuit produces less phase shift and less deviation. A more negative modulating signal from A subtracts from the reverse bias on the varactor diode, increasing the capacitance or decreasing the capacitive reactance. This increases the amount of phase shift and the deviation.

With this arrangement, there is an inverse relationship between the modulating signal polarity and the direction of the frequency deviation. This is the opposite of the desired variation. To correct this condition, an inverting amplifier A can be inserted between the modulating signal source and the input to the modulator. Then when the modulating signal goes positive, the inverter output and modulator input go negative and the deviation increases. In Fig. 6-10, C_1 and C_2 are dc blocking capacitors and have very low reactance at the carrier frequency. The phase shift produced is lagging, and as in any phase modulator, the output amplitude and phase vary with a change in the modulating signal amplitude.

Example 6-2

A transmitter must operate at a frequency of 168.96 MHz with a deviation of ± 5 kHz. It uses three frequency multipliers--a doubler, a tripler, and a quadrupler. Phase modulation is used. Calculate (a) the frequency of the carrier crystal oscillator and (b) the phase shift $\Delta\phi$ required to produce the necessary deviation at a 2.8-kHz modulation frequency.

- a. The frequency multiplier produces a total multiplication of $2 \times 3 \times 4 = 24$. The crystal oscillator frequency is multiplied by 24 to obtain the final output frequency of 168.96 MHz. Thus, the crystal oscillator frequency is

$$f_0 = \frac{168.96}{24} = 7.04 \text{ MHz}$$

- b. The frequency multipliers multiply the deviation by the same factor. To achieve a deviation of ± 5 kHz, the phase modulator must produce a deviation of $f_d = 5 \text{ kHz}/24 = \pm 208.33 \text{ Hz}$. The deviation is computed with $f_d = \Delta\phi f_m; f_m = 2.8 \text{ kHz}$.

$$\Delta\phi = \frac{f_d}{f_m} = \frac{208.33}{2800} = \pm 0.0744 \text{ rad}$$

Converting to degrees gives

$$0.0744(57.3^\circ) = \pm 4.263^\circ$$

The total phase shift is

$$\pm 4.263^\circ = 2 \times 4.263^\circ = 8.526^\circ$$

A simple formula for determining the amount of page 184 frequency deviation f_d represented by a specific phase angle is

$$f_d = \Delta\phi f_m$$

where $\Delta\phi$ = change in phase angle, rad
 f_m = modulating signal frequency

Assume that the lowest modulating frequency for the circuit with the shift of 0.75 rad is 300 Hz. The deviation is $f_d = 0.75(300) = 225 \text{ Hz}$ or $\pm 112.5 \text{ Hz}$. Since this is PM, the actual deviation is also proportional to the frequency of the modulating signal. With the same maximum deviation of 0.75 rad, if the modulating frequency is 3 kHz (3000 Hz), the deviation is $f_d = 0.75(3000) = 2250 \text{ Hz}$ or $\pm 1125 \text{ Hz}$.

To eliminate this effect and to generate real FM, the audio input frequency must be applied to a low-pass filter to roll off the signal amplitude at the higher frequencies in a low-pass filter.

Example 6-3

For the transmitter in Example 6-2, a phase shifter like that in Fig. 6-9 is used, where C is a varactor and $R = 1 \text{ k}\Omega$. Assume that the total phase-shift range is centered on 45° . Calculate the two capacitance values required to achieve the total deviation.

The phase range is centered on 45° , or $45^\circ \pm 4.263^\circ = 40.737^\circ$ and 49.263° . The total phase range is $49.263 - 40.737 = 8.526^\circ$. If $\phi = \tan^{-1}(R/X_C)$, then $\tan \phi = R/X_C$.

$$X_C = \frac{R}{\tan \phi} = \frac{1000}{\tan 40.737} = 1161 \Omega$$

$$C = \frac{1}{2\pi f X_C} = \frac{1}{6.28 \times 7.04 \times 10^6 \times 1161} = 19.48 \text{ pF}$$

$$X_C = \frac{R}{\tan \phi} = \frac{1000}{\tan 49.263} = 861 \Omega$$

$$C = \frac{1}{2\pi f X_C} = \frac{1}{6.28 \times 7.04 \times 10^6 \times 861} = 26.26 \text{ pF}$$

To achieve the desired deviation, the voice signal must bias the varactor to vary over the 19.48- to 26.26-pF range.

6-3 Frequency Demodulators

Any circuit that will convert a frequency variation in the carrier back to a proportional voltage variation can be used to demodulate or detect FM signals. Circuits used to recover the original modulating signal from an FM transmission are called demodulators, detectors, or discriminators. Some of the circuits developed and used over the years are the Foster-Seeley discriminator, ratio detector, and the pulse averaging discriminator. These are no longer used. About the only FM demodulator still used is the quadrature detector. Here how that works.

Frequency demodulator

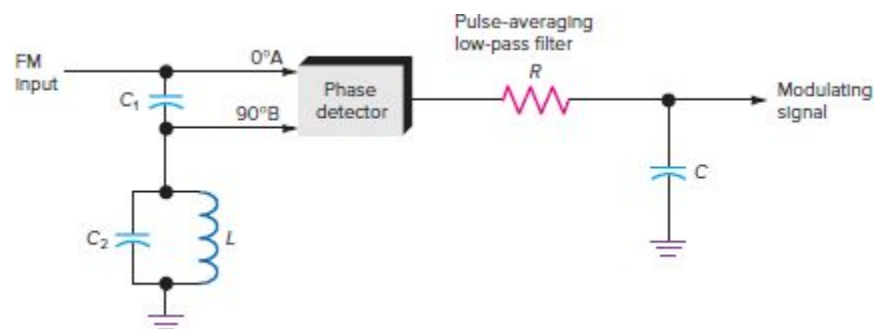
Quadrature Detectors

The *quadrature detector* uses a phase-shift circuit to produce a phase shift of 90° at the unmodulated carrier frequency. The most commonly used phase-shift arrangement is shown in Fig. 6-11. The frequency-modulated signal is applied through a very small capacitor (C₁) to the parallel-tuned circuit, which is adjusted to

resonate at the center carrier frequency. At resonance, the tuned circuit appears as a high value of pure resistance. The small capacitor has a very high reactance compared to the tuned circuit impedance. Thus, the output across the tuned circuit at the carrier frequency is very close to 90° and leads the input. When frequency modulation occurs, the carrier frequency deviates above and below the resonant frequency of the tuned circuit, resulting in an increasing or a decreasing amount of phase shift between the input and the output.

Quadrature detector

Figure 6-11 A quadrature FM detector.



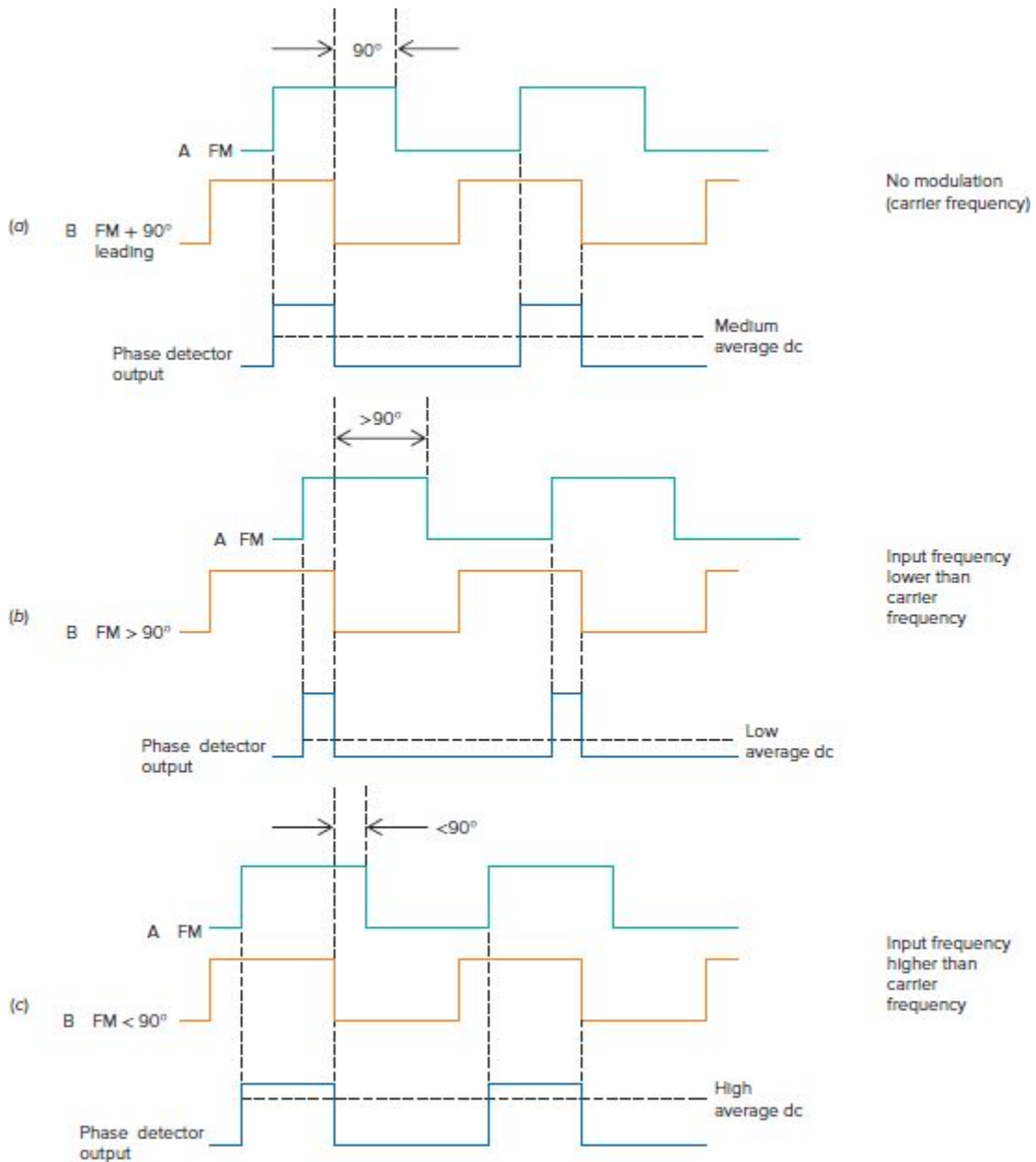
The two quadrature signals are then fed to a phase detector circuit. The most commonly used phase detector is a balanced modulator using differential amplifiers like those discussed in Chap. 4. The output of the phase detector is a series of pulses whose width varies with the amount of phase shift between the two signals. These signals are averaged in an RC low-pass filter to recreate the original modulating signal.

Normally the sinusoidal FM input signals to the phase detector are at a very high level and drive the differential amplifiers in the phase detector into cutoff and saturation. The differential transistors act as switches, so the output is a series of pulses. No limiter is needed if the input signal is large enough. The duration of the output pulse is

determined by the amount of phase shift. The phase detector can be regarded as an AND gate whose output is ON only when the two input pulses are ON and is OFF if either one or both of the inputs are OFF.

Fig. 6-12 shows the typical waveforms involved in a quadrature detector. When there is no modulation, the two input signals are exactly 90° out of phase and therefore provide an output pulse with the indicated width. When the FM signal frequency increases, the amount of phase shift decreases, resulting in a wider output pulse. The wider pulses averaged by the *RC* filter produce a higher average output voltage, which corresponds to the higher amplitude required to produce the higher carrier frequency. When the signal frequency decreases, greater phase shift and narrower output pulses occur. The narrower pulses, when averaged, produce a lower average output voltage, which corresponds to the original lower-amplitude modulating signal.

Figure 6-12 Waveforms in the quadrature detector.



GOOD TO KNOW

The term *quadrature* refers to a 90° phase shift between two signals.

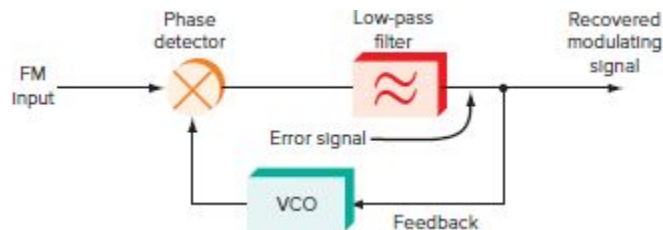
Phase-Locked Loops

A *phase-locked loop* (PLL) is a frequency- or phase-sensitive feedback control circuit used in frequency demodulation,

frequency synthesizers, and various filtering and signal detection applications. All phase-locked loops have the three basic elements, shown in Fig. 6-13.

Phase-locked loop (PLL)

Figure 6-13 Block diagram of a PLL.



1. A phase detector is used to compare the FM input, sometimes referred to as the *reference signal*, to the output of a VCO.
2. The VCO frequency is varied by the dc output voltage from a low-pass filter.
3. The low-pass filter smooths the output of the phase detector into a control voltage that varies the frequency of the VCO.

The primary job of the phase detector is to page 186 compare the two input signals and generate an output signal that, when filtered, will control the VCO. If there is a phase or frequency difference between the FM input and VCO signals, the phase detector output varies in proportion to the difference. The filtered output adjusts the VCO frequency in an attempt to correct for the original frequency or phase difference. This dc control voltage, called the *error signal*, is also the feedback in this circuit.

Error signal

When no input signal is applied, the phase page 187 detector and low-pass filter outputs are zero. The VCO then operates at what is called the *free-running*

frequency, its normal operating frequency as determined by internal frequency-determining components. When an input signal close to the frequency of the VCO is applied, the phase detector compares the VCO free-running frequency to the input frequency and produces an output voltage proportional to the frequency difference. Some PLL phase detectors operate just as the one discussed in the section on quadrature detectors. The phase detector output is a series of pulses that vary in width in accordance with the amount of phase shift or frequency difference that exists between the two inputs. The output pulses are then filtered into a dc voltage that is applied to the VCO. This dc voltage is such that it forces the VCO frequency to move in a direction that reduces the dc error voltage. The error voltage forces the VCO frequency to change in the direction that reduces the amount of phase or frequency difference between the VCO and the input. At some point, the error voltage causes the VCO frequency to equal the input frequency; when this happens, the PLL is said to be in a *locked* condition. Although the input and VCO frequencies are equal, there is a phase difference between them, usually exactly 90° , which produces the dc output voltage that will cause the VCO to produce the frequency that keeps the circuit locked.

Free-running frequency

GOOD TO KNOW

The ability of a phase-locked loop to provide frequency selectivity and filtering gives it a signal-to-noise ratio superior to that of any other type of FM detector.

If the input frequency changes, the phase detector and low-pass filter produce a new value of dc control voltage that forces the VCO output frequency to change until it is equal to the new input frequency. Any variation in input

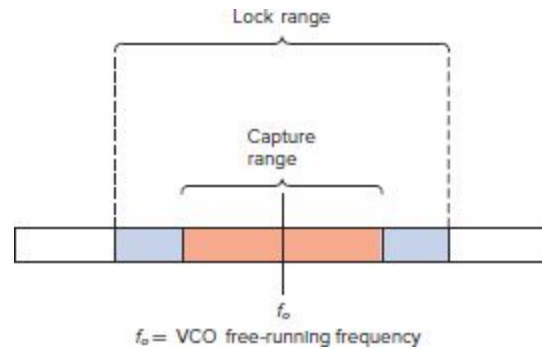
frequency is matched by a VCO frequency change, so the circuit remains locked. The VCO in a PLL is, therefore, capable of *tracking* the input frequency over a wide range. The range of frequencies over which a PLL can track an input signal and remain locked is known as the *lock range*. The lock range is usually a band of frequencies above and below the free-running frequency of the VCO. If the input signal frequency is out of the lock range, the PLL will not lock. When this occurs, the VCO output frequency jumps to its free-running frequency.

Lock range

If an input frequency within the lock range is applied to the PLL, the circuit immediately adjusts itself into a locked condition. The phase detector determines the phase difference between the free-running and input frequencies of the VCO and generates the error signal that forces the VCO to equal the input frequency. This action is referred to as *capturing* an input signal. Once the input signal is captured, the PLL remains locked and will track any changes in the input signal as long as the frequency is within the lock range. The range of frequencies over which a PLL will capture an input signal, known as the *capture range*, is much narrower than the lock range, but, like the lock range, is generally centered on the free-running frequency of the VCO (see Fig. 6-14).

Capture range

Figure 6-14 Capture and lock ranges of a PLL.



The characteristic that causes the PLL to capture signals within a certain frequency range causes it to act as a bandpass filter. Phase-locked loops are often used in signal conditioning applications, where it is desirable to pass signals only in a certain range and to reject signals outside of that range. The PLL is highly effective in eliminating the noise and interference on a signal.

The ability of a PLL to respond to input frequency page 188 variations makes it useful as an FM demodulator. The PLL's tracking action means that the VCO can operate as a frequency modulator that produces exactly the same FM signal as the input. In order for this to happen, however, the VCO input must be identical to the original modulating signal. The VCO output follows the FM input signal because the error voltage produced by the phase detector and low-pass filter forces the VCO to track it. Thus, the VCO output must be identical to the input signal if the PLL is to remain locked. The error signal must be identical to the original modulating signal of the FM input. The low-pass filter cutoff frequency is designed in such a way that it is capable of passing the original modulating signal.

The ability of a PLL to provide frequency selectivity and filtering gives it a signal-to-noise ratio superior to that of any other type of FM detector. The linearity of the VCO ensures low distortion and a highly accurate reproduction of the original modulating signal. Although PLLs are complex,

they are easy to apply because they are readily available in low-cost IC form.

GOOD TO KNOW

The capture range f_c of a phase-locked loop is smaller than the lock range. Once the input frequency is captured, the output frequency will match it until the input frequency goes out of the lock range. Then the phase-locked loop will return to the free-running frequency of the VCO.

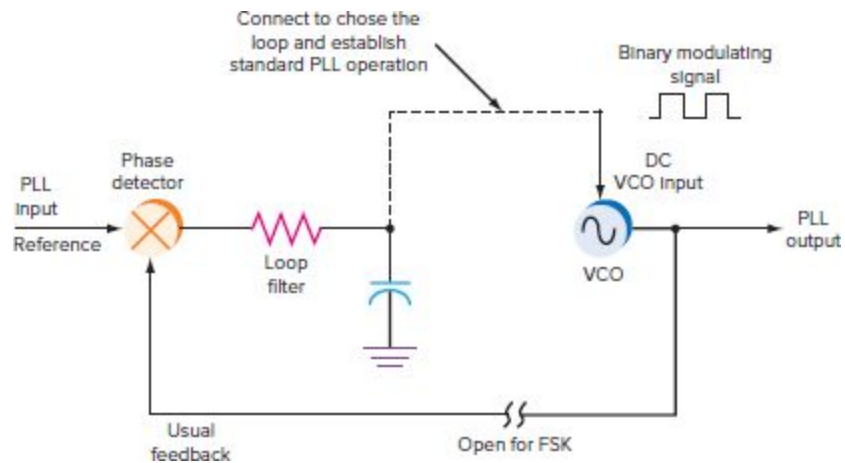
6-4 FSK Circuits

FSK modulation and demodulation are primarily implemented inside larger ICs. Although most of the circuit details are known only to the IC manufacturer, we can discuss a few FSK modulation and demodulation circuits to illustrate the concepts.

PLL FSK Modulator

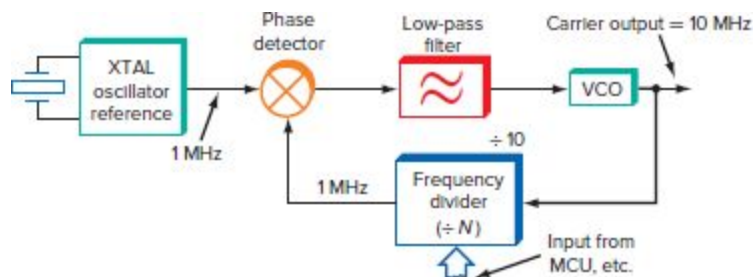
The VCO in a PLL can be used as an FSK generator or frequency modulator. Disconnect the loop filter and connect the modulating signal directly to the VCO dc input. See Fig. 6-15. A binary data signal switching between two voltage levels will switch the VCO output between the two desired frequencies. Check the PLL data sheet for details on the VCO input characteristics as some buffering or other interfacing may be needed.

Figure 6-15 A PLL illustrating the main circuits not used and the use of the VCO as a modulator.



Another way to use a PLL as an FSK modulator is to connect it as a frequency synthesizer, as shown in Fig. 6-16 (which represents a modified version of Fig. 8-8). A precise and stable crystal oscillator is used as a reference. This reference is compared to a feedback signal in the phase detector. The feedback comes from the VCO output that is applied to a digital frequency divider. This divider reduces the VCO output frequency by a factor N . Remember, for the PLL to be in a stable locked state, both frequency inputs to the phase detector must be the same. That means that the VCO output frequency must be N times the reference frequency. With a 1-MHz reference and a divide factor N of 10, the VCO output frequency will be $10 \times 1 \text{ MHz} = 10 \text{ MHz}$.

Figure 6-16 A PLL synthesizer to generate FSK.

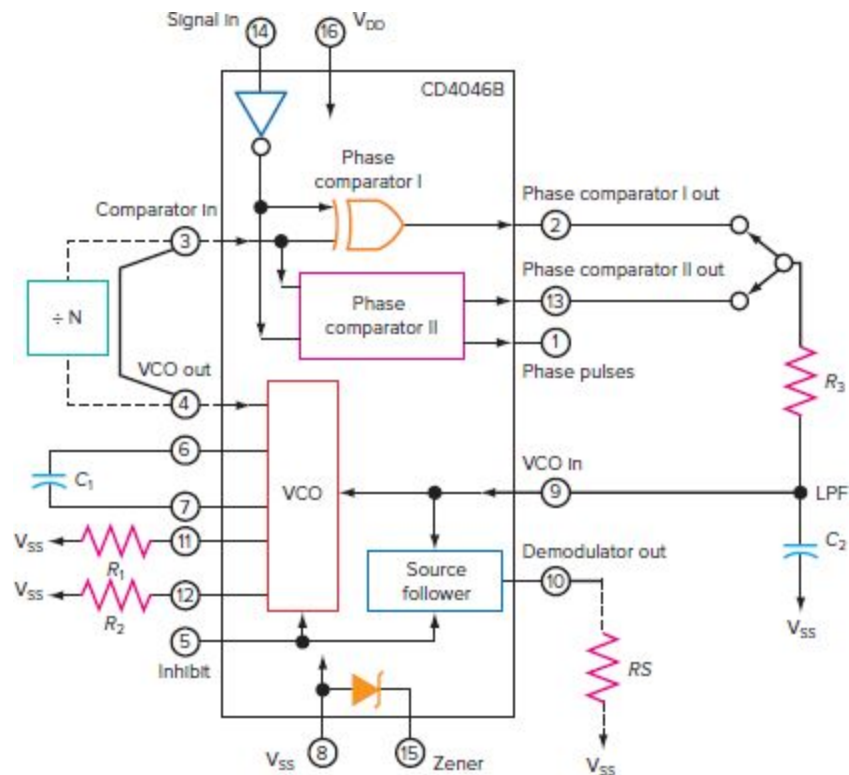


This arrangement makes it easy to change the VCO output frequency by changing N . Programmable digital dividers can be made to provide N in integer values, thereby making the

PLL into a frequency synthesizer whose frequency can be changed in increments equal to the reference frequency.

Fig. 6-17 shows a commercial IC PLL, the CD74HC4046A. This is an old IC that has been updated, but it is still available and its simplicity makes it a good example for discussing and learning PLL fundamentals. Made by Texas Instruments, the CD74HC4046A contains two phase comparators and the VCO. The loop filter is implemented with an external RC circuit R_3 and C_2 .

Figure 6-17 The CD74HC 4046A CMOS all-purpose PLL.



The divide by N frequency divider is fed by an external source such as a microcontroller or other digital circuit. Two N factors are chosen because they will cause the VCO to produce the two desired FSK frequencies.

Example 6-4

An FSK system being designed assigns binary 0 to 5 MHz and binary 1 to 5.5 MHz. A PLL modulator uses a 100-kHz or a 0.1-MHz reference oscillator. What are the divide factors N needed to produce the desired outputs?

For binary 0:

$$\begin{aligned}5 \text{ MHz} &= 5000 \text{ kHz} \\ \frac{5000 \text{ kHz}}{N} &= 0.1 \text{ MHz} \\ N &= \frac{5000}{0.1} = 50000\end{aligned}$$

For binary 1:

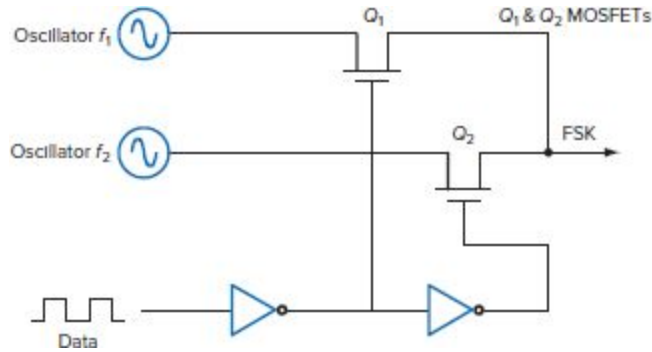
$$\begin{aligned}\frac{5500 \text{ kHz}}{N} &= 0.1 \text{ MHz} \\ N &= \frac{5500}{0.1} = 55000\end{aligned}$$

Where do these N values come from? It could be the output of a microcontroller programmed to send the N values at a desired rate or some special digital circuit using an FPGA. The speed of sending the N value must be great enough to ensure that the desired FSK bit rate is achieved.

Other FSK Modulators

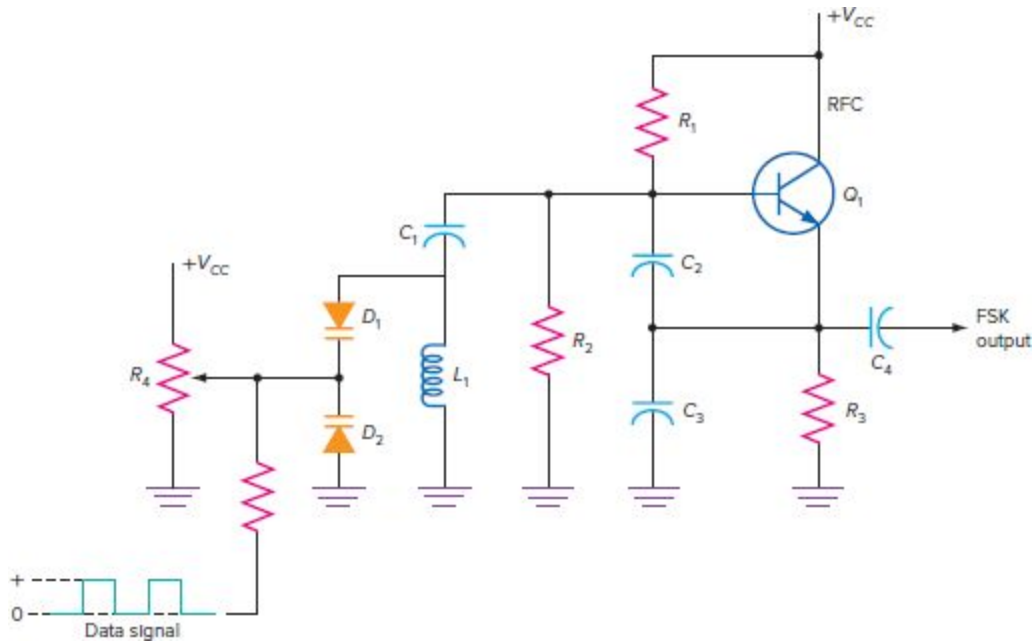
One simple way to implement FSK is to use two oscillators of the desired FSK frequencies f_1 and f_2 and switch between them. Fig. 6-18 shows the concept using MOSFET switches. The data signal is applied to inverters that operate the MOSFET gates. When Q_1 is on, Q_2 is off, and vice versa. Switching between the two oscillators creates noncoherent FSK.

Figure 6-18 One way to generate noncoherent FSK.



Another simple method is to switch the frequency determining components in an oscillator. Fig. 6-19 shows one possibility: a standard Colpitts LC oscillator whose frequency can be changed by altering the capacitor in the circuit. The capacitor in this case is two varactor diodes D_1 and D_2 in series. They are reverse-biased by the voltage from pot R_4 that provides an initial frequency adjustment. The data signal is applied to the junction of D_1 and D_2 . It switches between positive and near zero values adding to or subtracting from the initial bias. The oscillator output is FSK. This approach works with crystal oscillators as well.

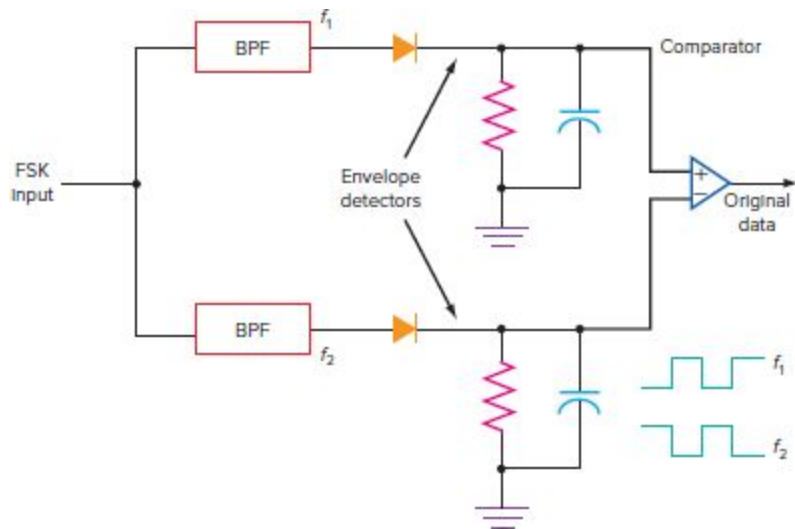
Figure 6-19 Using varactors to generate FSK.



FSK Demodulator

An FSK demodulator detects the two frequencies and recreates the original data signal. Fig. 6-20 shows the idea. The FSK signal is applied to two bandpass filters (BPFs), one set to f_1 and the other to f_2 . The filters are made selective enough so that only the one frequency passes through each BPF. The carrier sine wave is then applied to an envelope detector, just like an AM demodulator. The sine carrier from each filter is rectified into half sine pulses and filtered to dc pulses. When one of the two frequencies occurs at the input, it is passed through the filter and an output pulse generated. The output of the other envelope detector is zero. Data pulses of the two frequencies alternately turn on and off.

Figure 6-20 An FSK demodulator.



To recreate the original data signal, the two page 192 envelope detector outputs are applied to a comparator. A comparator is an op-amp-like circuit that generates a binary output depending on whether one input is less than, more than, or equal to the other input. When f_1 occurs, a dc appears at the top comparator input while the lower input is zero. The comparator switches to one of its two possible levels. Then if f_2 occurs, the lower input to the comparator sees a dc input while the f_1 input is zero. This switches the comparator output to the opposite state. The comparator output is, of course, the original data signal.

It is rare that you would ever need to design or implement any one of these circuits. FSK circuits are virtually all inside some IC. Further, the FSK modulation and demodulation usually take place in software running on a general DSP or specialized logic circuitry such as an FPGA. An example is the Bluetooth radio that is so widely used.

Dozens of other more modern commercial PLL ICs are available to meet every need. Check with IC makers Analog Devices, Maxim Integrated, Silicon Labs, and Texas Instruments, among others to see what is available. More modern and up-to-date PLLs are discussed in Chap. 8.

CHAPTER REVIEW

Online Activity

6-1 Exploring FSK

Objective: Examine FSK circuits in more detail.

Procedure:

1. Perform an Internet search on the terms *FSK* and *FSK* modulation and demodulation.
2. Identify specific ICs, circuits, or explanatory material. Download any available data sheets or other sources of information.
3. Answer the following questions.

Questions:

1. Define and explain coherent and noncoherent FSK ICs.
2. Why is coherent FSK preferred?
3. How can noncoherent be made acceptable?
4. What are 2FSK and 4FSK?
5. List three common uses for FSK.

Questions

1. What parts of the varactor act as the plates of a capacitor?
2. How does capacitance vary with applied voltage?
3. Do varactors operate with forward or reverse bias?
4. What is the main reason why LC oscillators are not used in transmitters today?
5. Can the most widely used type of carrier oscillator be frequency-modulated by a varactor?

6. What is the main advantage of using a phase modulator rather than a direct frequency modulator?
7. What is the term for frequency modulation produced by PM?
8. What circuit compensates for the greater frequency deviation at the higher modulating signal frequencies?
9. What two IC demodulators use the concept of averaging pulses in a low-pass filter to recover the original modulating signal?
10. Which is probably the best FM demodulator of all those discussed in this chapter?
11. What is a capture range? What is a lock range?
12. What frequency does the VCO assume when the input is outside the capture range?
13. What type of circuit does a PLL look like over its lock range?
14. A PLL can be used as an FM/FSK modulator as well as a demodulator. True or false?
15. Name one other FM demodulator besides the PLL.
16. Explain what coherent FSK is and state why it is better than noncoherent FSK.
17. Why is FM/FSK so popular even though it uses excessive spectrum?

Problems

1. A parallel-tuned circuit in an oscillator consists of a $40\text{-}\mu\text{H}$ inductor in parallel with a 330-pF capacitor. A varactor with a capacitance of 50 pF is connected in parallel with the circuit. What is the resonant frequency of the tuned circuit and the oscillator operating frequency? ♦
2. If the varactor capacitance of the circuit in Prob. 1 is decreased to 25 pF , (a) how does the frequency change and (b) what is the new resonant frequency?

3. A phase modulator produces a maximum phase shift of 45° . The modulating frequency range is 300 to 4000 Hz. What is the maximum frequency deviation possible? ◆
4. The FM input to a PLL demodulator has an unmodulated center frequency of 10.7 MHz. (a) To what frequency must the VCO be set? (b) From which circuit is the recovered modulating signal taken?
5. A PLL FSK modulator requires output of binary 0 = 1.3 GHz and binary 1 = 1.45 GHz. The reference input is 1 MHz. What are the N divide factors? ◆
6. A varactor phase modulator like the one in Fig. 6-10 has a resistance value of $3.3\text{ k}\Omega$. The capacitance of the varactor at the center unmodulated frequency is 40 pF and the carrier frequency is 1 MHz. (a) What is the phase shift? (b) If the modulating signal changes the varactor capacitance to 55 pF, what is the new phase shift? (c) If the modulating signal frequency is 400 Hz, what is the approximate frequency deviation represented by this phase shift?

◆ *Answers to Selected Problems follow Chap. 23.*

Critical Thinking

1. What electronic communications products still use FM?
2. Name the three key components of a phase-locked loop and write a brief explanation of how each component works.
3. What happens to an FM signal that has been passed through a tuned circuit that is too narrow, resulting in the higher upper and lower sidebands to be eliminated? What would the output of a demodulator processing this signal look like compared to that of the original modulating signal?

4. A direct-frequency modulated crystal oscillator has a frequency of 9.3 MHz. The varactor produces a maximum deviation of 250 Hz. The oscillator is followed by two triplers, a doubler, and a quadrupler. What are the final output frequency and the deviation?
5. Refer to Fig. 6-4. To decrease oscillator frequency, would you adjust potentiometer R_4 closer to $+V_{CC}$ or closer to ground?

Digital Communication Techniques

Today, thanks to the availability of fast, low-cost analog-to-digital (A/D) and digital-to-analog (D/A) converters and high-speed digital signal processors, most electronic communications is digital.

This chapter begins with the concepts and operation of A/D and D/A converters. Next, pulse modulation techniques are summarized, and the chapter concludes with an introduction to digital signal processing (DSP) techniques.

Objectives

After completing this chapter, you will be able to:

- Explain how quantizing error occurs, describe the techniques used to minimize it, and calculate the minimum sampling rate given the upper frequency limit of the analog signal to be converted.
- List the advantages and disadvantages of the three most common types of analog-to-digital converters.
- Define oversampling and undersampling and state their advantages and disadvantages.
- Explain why pulse-code modulation has superseded pulse-amplitude modulation (PAM), pulse-width

modulation (PWM), and pulse-position modulation (PPM).

- Draw and fully label a block diagram of a digital signal-processing (DSP) circuit.
- List four analog processes that can be performed by DSP.

7-1 Digital Transmission of Data

The term *data* refers to information to be communicated. Data is in digital form if it comes from a computer, microcontroller, FPGA, or other digital source. Voice, video, or some other analog signal must be converted to digital form before it is transmitted.

Digital communication was originally limited to the transmission of data between computers over local-area networks (LANs). Now, because analog signals can be readily and inexpensively converted to digital and vice versa, data communication techniques can be used to transmit voice, video, and other analog signals in digital form. Most communication today is accomplished with digital techniques.

Benefits of Digital Communication

Transmitting information by digital means offers several important advantages over analog methods, as discussed in the next section and in Sec. 7-5.

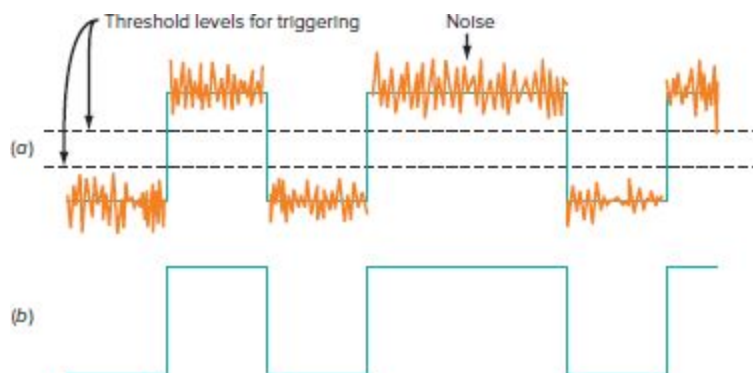
Noise Immunity. When a signal is sent over a medium or channel, noise is invariably added to the signal. The S/N ratio decreases, and the signal becomes harder to recover.

Noise, which is a voltage of randomly varying amplitude and frequency, easily corrupts analog signals. Signals of insufficient amplitude can be completely obliterated by noise. Some improvement can be achieved with preemphasis circuits at the transmitter and de-emphasis circuits at the receiver, and other similar techniques. If the signal is analog FM, the noise can be clipped off at the receiver so that the signal can be more readily recovered, but phase modulation of the signal by the noise will still degrade quality.

Noise immunity

Digital signals, which are usually binary, are more immune to noise than analog signals because the noise amplitude must be much higher than the signal amplitude to make a binary 1 look like a binary 0 or vice versa. If the binary amplitudes for binary 0 and 1 are sufficiently large, the receiving circuitry can easily distinguish between the 0 and 1 levels even with a significant amount of noise (see Fig. 7-1).

Figure 7-1 (a) Noise on a binary signal. (b) Clean binary signal after regeneration.



GOOD TO KNOW

Digital signals, which are usually binary, are more immune to noise than analog signals are.

At the receiver, circuits can be set up so that the noise is clipped off. A threshold circuit made with a line receiver circuit, an op amp comparator, or a Schmitt trigger will trigger above or below the thresholds to which it is set. If the thresholds are set carefully, only the logic levels will trigger the circuit. Thus, a clean output pulse will be generated by the circuit. This process is called *signal regeneration*.

Signal regeneration

Digital signals, like analog signals, experience distortion and attenuation when transmitted over a cable or by radio. The cable acts as a low-pass filter and thus filters out the higher harmonics in a pulse signal, causing the signal to be rounded and distorted. When a signal is transmitted by radio, its amplitude is seriously reduced. However, digital signals can be transmitted over long distances if the signal is regenerated along the way to restore the amplitude lost in the medium and to overcome the noise added in the process. When the signal reaches its destination, it has almost exactly the same shape as the original. Consequently, with digital transmission, the error rate is minimal.

Error Detection and Correction. With digital page 196 communication, transmission *errors* can usually be detected and even corrected. If an error occurs because of a very high noise level, it can be detected by special circuitry. The receiver recognizes that an error is contained in the transmission, and data can be retransmitted. A variety of techniques have been developed to find errors in binary transmissions; some of them are discussed in Chap. 11. In addition, elaborate error detection schemes have been developed so that the type of error and its location can be

identified. This kind of information makes it possible to correct errors before the data is used at the receiver.

Error

Digital Signal Processing (DSP). DSP is the processing of analog signals by digital methods. This involves converting an analog signal to digital and then processing with a fast digital computer. Processing means filtering, equalization, phase shifting, mixing, and other traditionally analog methods. Processing also includes data compression techniques that enhance the speed of data transmission and reduce the digital data storage capacity required for some applications. Even modulation and demodulation can be accomplished by DSP. The processing is accomplished by executing unique mathematical algorithms on the computer. The digital signal is then converted back to analog form. DSP permits significant improvements in processing over equivalent analog techniques. But best of all, it permits types of processing that were never available in analog form.

Digital signal processing (DSP)

Finally, processing also involves storage of data. Analog data is difficult to store. But digital data is routinely stored in computers by using a variety of well-proven digital storage methods and equipment, such as RAM; ROM; flash and hard disk drives; optical drives; and tape units.

GOOD TO KNOW

With binary techniques, the bandwidth of a signal may be two or more times greater than it would be with analog methods.

7-2 Parallel and Serial Transmission

There are two ways to move binary bits from one place to another: transmit all bits of a word simultaneously or send only 1 bit at a time. These methods are referred to, respectively, as parallel transfer and serial transfer.

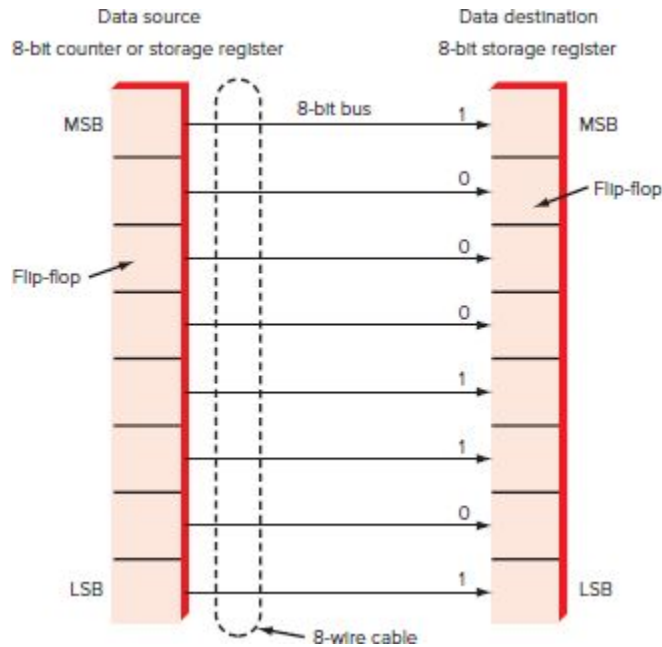
Parallel Transfer

In *parallel* data transfers, all the bits of a code word are transferred simultaneously (see Fig. 7-2). The binary word to be transmitted is usually loaded into a register containing one flip-flop for each bit. Each flip-flop output is connected to a wire to carry that bit to the receiving circuit, which is usually also a storage register. As can be seen in Fig. 7-2, in parallel data transmission, there is one wire for each bit of information to be transmitted. This means that a multiwire cable or multiple copper traces on a printed circuit board (PCB). Multiple parallel lines that carry binary data are usually referred to as a *data bus*. All eight lines are usually referenced to a common ground wire.

Parallel transfer

Data bus

Figure 7-2 Parallel data transmission.



Parallel data transmission is extremely fast because all the bits of the data word are transferred simultaneously. The speed of parallel transfer depends on the propagation delay in the sending and receiving of logic circuits and any time delay introduced by the cable or PCB traces. Such data transfers can occur in only a few nanoseconds in many applications.

Parallel data transmission is not practical for long-distance communication. To transfer an 8-bit data word from one place to another, eight separate communication channels are needed, one for each bit. Although multiwire cables can be used over limited distances (usually no more than a few feet), for long-distance data communication they are impractical because of cost and signal attenuation.

Over the years, data transfer rates over parallel page 197 buses have continued to increase. For example, currently bus transfer rates have increased to 400 MHz and beyond. However, to achieve these speeds, the bus line lengths have had to be considerably shortened. The capacitance and inductance of the bus lines severely distort

the pulse signals. Furthermore, crosstalk between the lines also limits the speed. Reducing the line length decreases the inductance and capacitance, permitting higher speeds. To achieve speeds up to 400 MHz, bus lengths must be limited to only a few inches. To achieve higher rates, serial data transfers are being used.

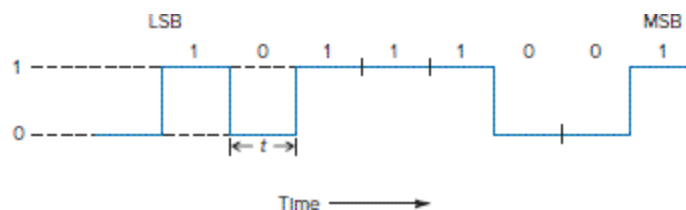
GOOD TO KNOW

As data rates have increased, bus line lengths have had to be shortened to eliminate inductance and capacitance cable effects.

Serial Transfer

Data transfers in communication systems are made serially; each bit of a word is transmitted one after another (see Fig. 7-3). This figure shows the code 10011101 being transmitted 1 bit at a time. The least significant bit (LSB) is transmitted first, and the most significant bit (MSB) last. The MSB is on the right, indicating that it was transmitted later in time than the LSB. Each bit is transmitted for a fixed interval of time t . The voltage levels representing each bit appear on a single data line (with respect to ground) one after another until the entire word has been transmitted. For example, the bit interval may be $10 \mu\text{s}$, which means that the voltage level for each bit in the word appears for $10 \mu\text{s}$. It would therefore take $80 \mu\text{s}$ to transmit an 8-bit word.

Figure 7-3 Serial data transmission.

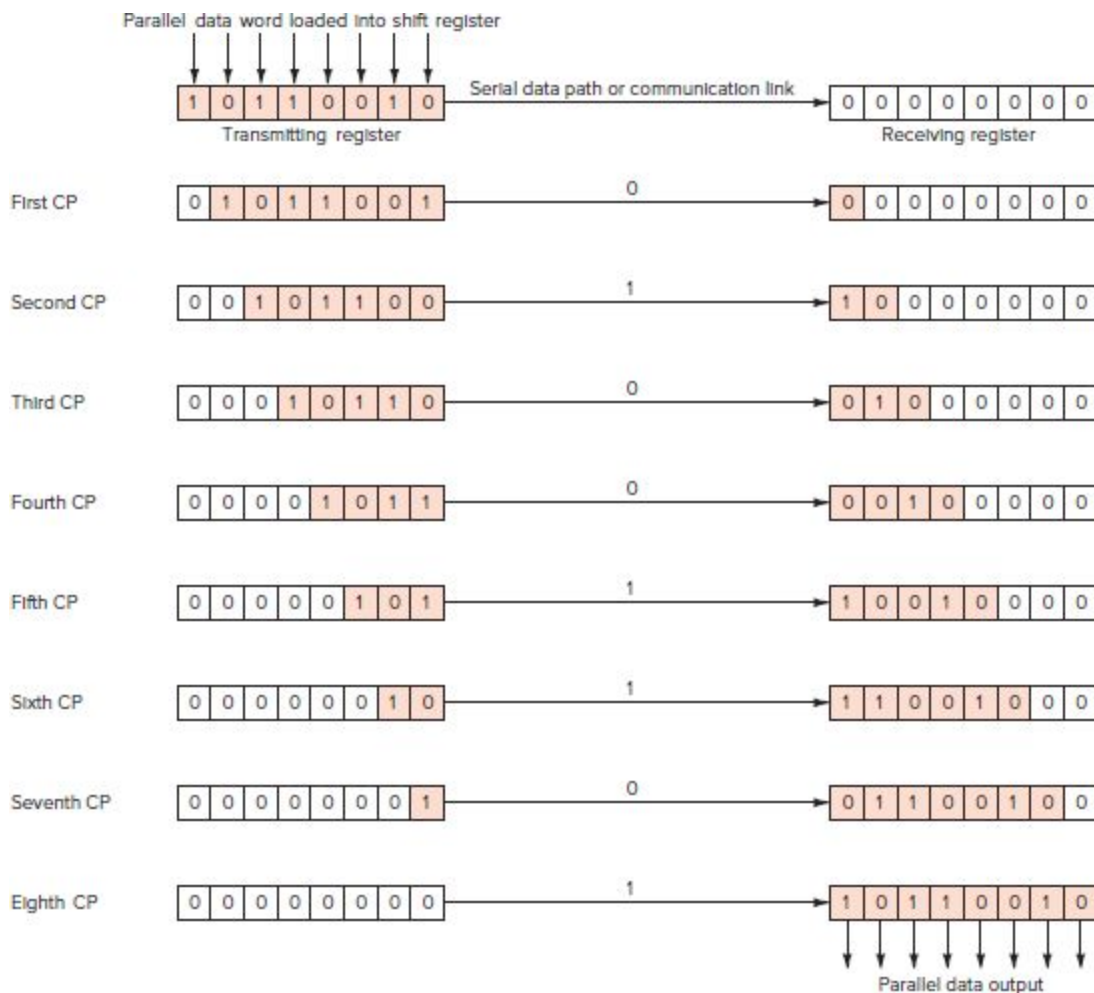


Serial-Parallel Conversion

Because both parallel and serial transmission occur in computers and other equipment, there must be techniques for converting between parallel and serial and vice versa. Such data conversions are usually taken care of by shift registers (see Fig. 7-4).

Serial-parallel conversion

Figure 7-4 Parallel-to-serial and serial-to-parallel data transfers with shift registers.



A *shift register* is a sequential logic circuit made up of a number of flip-flops connected in cascade. The flip-flops are

capable of storing a multibit binary word, which is usually loaded in parallel into the transmitting register. When a clock pulse (CP) is applied to the flip-flops, the bits of the word are shifted from one flip-flop to another in sequence. The last (right-hand) flip-flop in the transmitting register ultimately stores each bit in sequence as it is shifted out.

Shift register

The serial data word is then transmitted over the communication link and is received by another shift register. The bits of the word are shifted into the flip-flops one at a time until the entire word is contained within the register. The flip-flop outputs can then be observed and the data stored in them transferred in parallel to other circuits. These serial-parallel data transfers take place inside the interface circuits and are referred to as *serializer/deserializer (SERDES) devices*.

Serializer/deserializer (SERDES) devices

Serial data can typically be transmitted faster over longer distances than parallel data. If a two-wire transmission line, rather than multiple interconnecting wires, is used, speeds over 2 GHz can be achieved over a serial link up to several feet long. If the serial data is converted to infrared light pulses, fiber-optic cable can be used. Serial data rates up to 100 GHz can be achieved at distances of many kilometers. Serial buses have now replaced parallel buses in computers, storage systems, and telecommunication equipment where very high speeds are required.

For example, suppose that you must transmit page 199 data at a rate of 400 Mbytes/s. In a parallel system you could transmit 4 bytes at a time on a 32-bit 100-MHz parallel bus. Bus length would be limited to a few inches.

You could also do this serially. Remember that 400 Mbytes/s is the same as 8×400 Mbytes/s or 3.2 gigabits per second (Gbps) or 3.2 GHz. This rate is easily obtained serially for several feet with a copper transmission line or up to many kilometers with a fiber-optic cable.

7-3 Data Conversion

The key to digital communication is to convert data in analog form to digital form. Special circuits are available to do this. Once it is in digital form, the data can be processed or stored. Data must usually be reconverted to analog form for final consumption by the user; e.g., voice and video must be in analog form. *Data conversion* is the subject of this section.

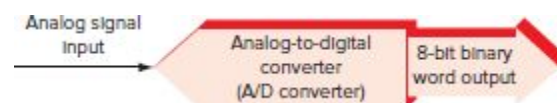
Data conversion

Basic Principles of Data Conversion

Translating an analog signal to a digital signal is called *analog-to-digital (A/D) conversion*, *digitizing a signal*, or *encoding*. The device used to perform this translation is known as an *analog-to-digital (A/D) converter* or *ADC*. A modern A/D converter is usually a single-chip IC that takes an analog signal and generates a parallel or serial binary output (see Fig. 7-5). Many microcontrollers and other larger ICs often contain an integrated ADC.

Analog-to-digital (A/D) conversion

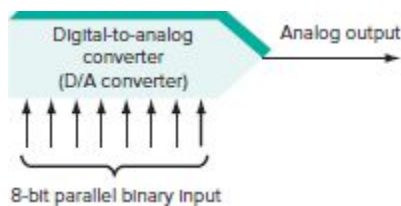
Figure 7-5 A/D converter.



The opposite process is called *digital-to-analog (D/A) conversion*. The circuit used to perform this is called a *digital-to-analog (D/A) converter* (or *DAC*) or a *decoder*. The input to a D/A converter may be a serial or parallel binary number, and the output is a proportional analog voltage level. Like the A/D converter, a D/A converter is usually a single-chip IC (see Fig. 7-6) or a part of a large IC.

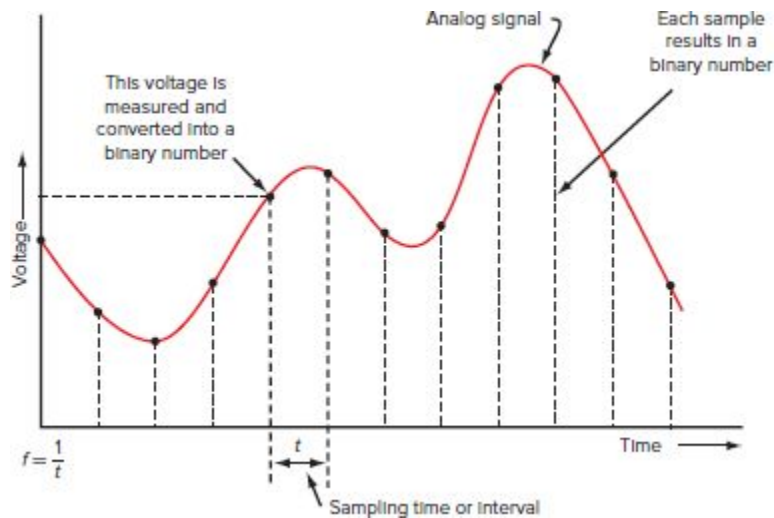
Digital-to-analog (D/A) conversion

Figure 7-6 D/A converter.



A/D Conversion. An analog signal is a smooth or continuous voltage or current variation (see Fig. 7-7). It could be a voice signal, a video waveform, or a voltage representing a variation of some other physical characteristic such as temperature. Through A/D conversion these continuously variable signals are changed to a series of binary numbers.

Figure 7-7 Sampling an analog signal.



A/D conversion is a process of sampling or measuring the analog signal at regular time intervals. At the times indicated by the vertical dashed lines in Fig. 7-7, the instantaneous value of the analog signal is measured and a proportional binary number is generated to represent that sample. As a result, the continuous analog signal is translated to a series of discrete binary numbers representing samples.

GOOD TO KNOW

To calculate the minimum sampling rate used to represent a signal, multiply the highest signal frequency component by 2.

A key factor in the sampling process is the page 200 frequency of sampling f , which is the reciprocal of the sampling interval t shown in Fig. 7-7. To retain the high-frequency information in the analog signal, a sufficient number of samples must be taken so that the waveform is adequately represented. It has been found that the minimum sampling frequency is twice the highest analog frequency content of the signal. For example, if the analog signal contains a maximum frequency variation of 3000 Hz, the analog wave must be sampled at a rate of at least twice

this, or 6000 Hz. This minimum sampling frequency is known as the *Nyquist frequency* f_N . (And $f_N \geq 2f_m$, where f_m is the frequency of the input signal.) For bandwidth limited signals with upper and lower limits of f_2 and f_1 , the Nyquist sampling rate is just twice the bandwidth or $2(f_2 - f_1)$.

Nyquist frequency

Although theoretically the highest frequency component can be adequately represented by a sampling rate of twice the highest frequency, in practice the sampling rate is much higher than the Nyquist minimum, typically 2.5 to 3 times more. The actual sampling rate depends on the application as well as factors such as cost, complexity, channel bandwidth, and availability of practical circuits.

GOOD TO KNOW

MSPS means millions of samples per second. GSPS means giga (billions) of samples per second. SFDR is spurious free dynamic range. SNR refers to signal-to-noise ratio.

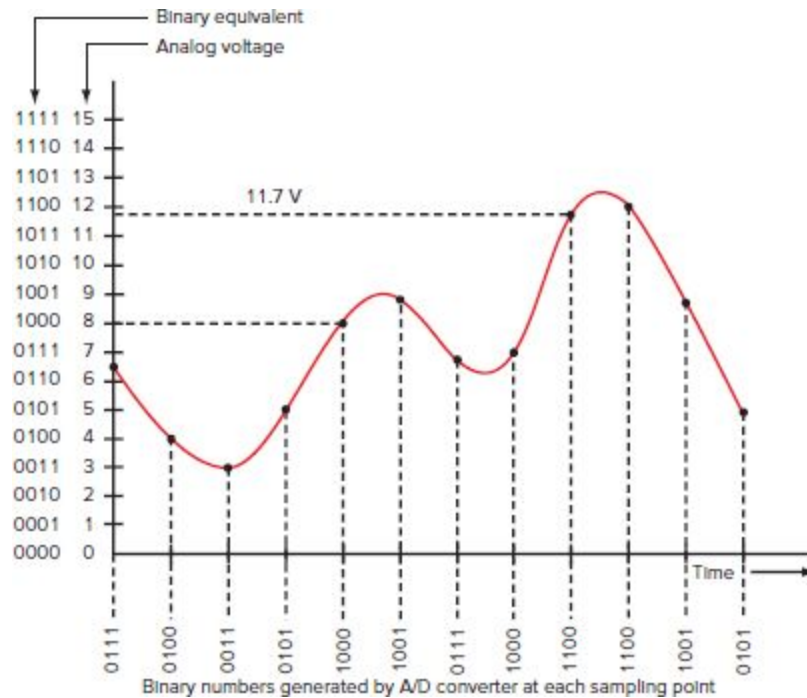
Assume, e.g., that the output of an FM radio is to be digitized. The maximum frequency of the audio in an FM broadcast is 15 kHz. To ensure that the highest frequency is represented, the sampling rate must be twice the highest frequency: $f = 2 \times 15 \text{ kHz} = 30 \text{ kHz}$. But in practice, the sampling rate is made higher, that is, 3 to 10 times higher, or $3 \times 15 \text{ kHz} = 45 \text{ kHz}$ to $10 \times 15 \text{ kHz} = 150 \text{ kHz}$. The sampling rate for compact disk players that store music signals with frequencies up to about 20 kHz is 44.1 kHz or 48 kHz.

Another important factor in the conversion process is that, because the analog signal is smooth and continuous, it represents an infinite number of actual voltage values. In a practical A/D converter, it is not possible to convert all analog samples to a precise proportional binary number. Instead, the A/D converter is capable of representing only a

finite number of voltage values over a specific range. The samples are converted to a binary number whose value is close to the actual sample value. For example, an 8-bit binary number can represent only 256 states, which may be the converted values from an analog waveform having an infinite number of positive and negative values between $+1\text{ V}$ and -1 V .

The physical nature of an A/D converter is such that it divides a voltage range into discrete increments, each of which is then represented by a binary number. The analog voltage measured during the sampling process is assigned to the increment of voltage closest to it. For example, assume that an A/D converter produces 4 output bits. With 4 bits, 2^4 or 16 voltage levels can be represented. For simplicity, assume an analog voltage range of 0 to 15 V. The A/D converter divides the voltage range as shown in Fig. 7-8. The binary number represented by each increment is indicated. Note that although there are 16 levels, there are only 15 increments. The number of levels is 2^N and the number of increments is $2^N - 1$, where N is the number of bits.

Figure 7-8 The A/D converter divides the input voltage range into discrete voltage increments. page 201



Now assume that the A/D converter samples the analog input and measures a voltage of 0 V. The A/D converter will produce a binary number as close as possible to this value, in this case 0000. If the analog input is 8 V, the A/D converter generates the binary number 1000. But what happens if the analog input is 11.7 V, as shown in Fig. 7-8? The A/D converter produces the binary number 1011, whose decimal equivalent is 11. In fact, any value of analog voltage between 11 and 12 V will produce this binary value.

The quantizing error can be reduced, of course, by simply dividing the analog voltage range into a larger number of smaller voltage increments. To represent more voltage increments, a greater number of bits must be used. For example, using 12 bits instead of 10 allows the analog voltage range to produce 2^{12} or 4096 voltage increments. This more finely divides the analog voltage range and thus permits the A/D converter to output a proportional binary number closer to the actual analog value. The greater the number of bits, the greater the number of increments over the analog range and the smaller the quantizing error.

As you can see, there is some error associated with the conversion process. This is referred to as *quantizing error*.

Quantizing error

The maximum amount of error can be computed by dividing the voltage range over which the A/D converter operates by the number of increments. Assume a 10-bit A/D converter, with 10 bits, $2^{10} = 1024$ voltage levels, or $1024 - 1 = 1023$ increments. Assume that the input voltage range is from 0 to 6 V. The minimum voltage step increment then is $6/1023 = 5.86 \times 10^{-3} = 5.865 \text{ mV}$.

As you can see, each increment has a range of less than 6 mV. This is the maximum error that can occur; the average error is one-half that value. The maximum error is said to be $\pm 1/2 \text{ LSB}$ or one-half the LSB increment value.

The quantizing error can also be considered as a type of random or white noise. This noise limits the dynamic range of an A/D converter since it makes low-level signals difficult or impossible to convert. An approximate value of this noise is

$$V_n = \frac{q}{\sqrt{12}}$$

where V_n is the rms noise voltage and q is the page 202 weight of the LSB. This approximation is valid only over the bandwidth from direct current to $f_s/2$ (called the Nyquist bandwidth). The input signal is in this range. Using the 10-bit example above, the LSB is 5.865 mV. The rms noise voltage then is

$$V_n = \frac{q}{\sqrt{12}} = \frac{0.005865}{3.464} = 0.0017 \text{ V or } 1.7 \text{ mV}$$

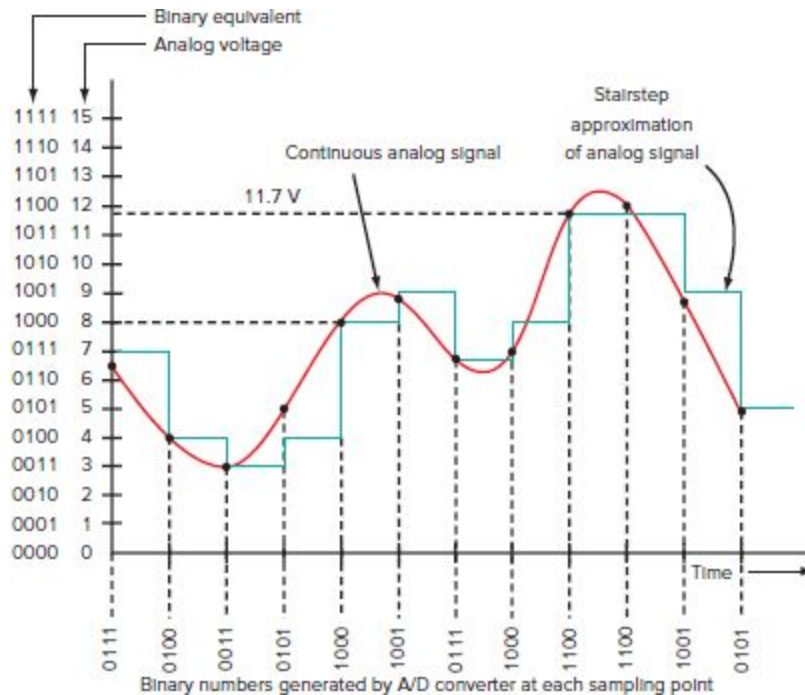
The signal to be digitized should be two or more times this noise level to ensure a reasonably error-free conversion.

It can be shown that the overall quantization noise can be reduced by oversampling, i.e., sampling the signal at a rate that is many times the Nyquist sampling rate of two times the highest signal frequency. Oversampling reduces the quantizing noise by a factor equal to the square root of the oversampling ratio, which is $f_s/2f_m$.

D/A Conversion. To retain an analog signal converted to digital, some form of binary memory must be used. The multiple binary numbers representing each of the samples can be stored in random access memory (RAM). Once they are in this form, the samples can be processed and used as data by a microcomputer which can perform mathematical and logical manipulations.

At some point it is usually desirable to translate the multiple binary numbers back to the equivalent analog voltage. This is the job of the D/A converter, which receives the binary numbers sequentially and produces a proportional analog voltage at the output. Because the input binary numbers represent specific voltage levels, the output of the D/A converter has a staircase characteristic. Fig. 7-9 shows the process of converting the 4-bit binary numbers obtained in the conversion of the waveform in Fig. 7-8. If these binary numbers are fed to a D/A converter, the output is a staircase voltage as shown. Since the steps are very large, the resulting voltage is only an approximation to the actual analog signal. However, the stairsteps can be filtered out by passing the D/A converter output through a low-pass filter with an appropriate cutoff frequency.

Figure 7-9 A D/A converter produces a stepped approximation of the original signal.



Example 7-1

An information signal to be transmitted digitally is a rectangular wave with a period of $71.4 \mu\text{s}$. It has been determined that the wave will be adequately passed if the bandwidth includes the fourth harmonic. Calculate (a) the signal frequency, (b) the fourth harmonic, and (c) the minimum sampling frequency (Nyquist rate).

a. $f = \frac{1}{t} = \frac{1}{71.4 \times 10^{-6}} = 14,006 \text{ Hz} \cong 14 \text{ kHz}$

b. $f_{4\text{th harmonic}} = 4 \times 14 \text{ kHz} = 56 \text{ kHz}$

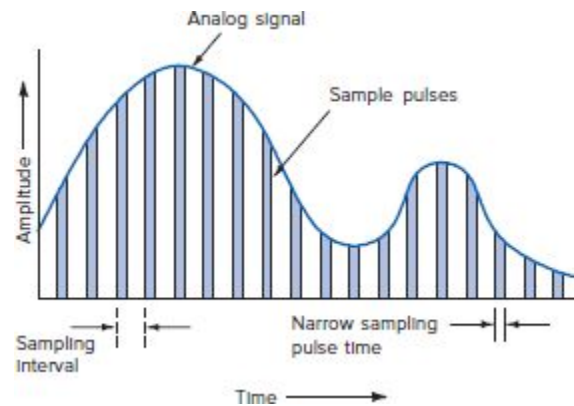
c. Minimum sampling rate = $2 \times 56 \text{ kHz} = 112 \text{ kHz}$

If the binary words contain a larger number of bits, the analog voltage range is divided into smaller increments and the output step increments will be smaller. This leads to a closer approximation to the original analog signal.

Aliasing. Whenever an analog waveform is sampled, a form of modulation called *pulse-amplitude modulation (PAM)* takes place. The modulator is a gating circuit that momentarily allows a portion of the analog wave to pass through, producing a pulse for a fixed time duration and at an amplitude equal to the signal value at that time. The result is a series of pulses as shown in Fig. 7-10. These pulses are passed to the A/D converter, where each is converted to a proportional binary value. Let's analyze the process to see how it affects the A/D conversion process.

Pulse-amplitude modulation (PAM)

Figure 7-10 Sampling and analog signal to produce pulse-amplitude modulation.



Recall from Chap. 3 that amplitude modulation is the process of multiplying the carrier by the modulating signal. In this case, the carrier or sampling signal is a series of narrow pulses that can be described by a Fourier series:

$$v_c = D + 2D \left(\frac{\sin \pi D}{\pi D} \cos \omega_s t + \frac{\sin 2\pi D}{2\pi D} \cos 2\omega_s t + \frac{\sin 3\pi D}{3\pi D} \cos 3\omega_s t + \dots \right)$$

Here, v_c is the instantaneous carrier voltage, and D is the duty cycle, which is the ratio of the pulse duration t to the pulse period T , or $D = t/T$. The term ω_s is $2\pi f_s$, where f_s is the pulse-sampling frequency. Note that the pulses have a dc

component (the D term) plus sine-cosine waves representing the fundamental frequency and its odd and even harmonics.

When you multiply this by the analog modulating or information signal to be digitized, you get a messy-looking equation that is remarkably easy to decipher. Assume that the analog wave to be digitized is a sine wave at a frequency of f_m or $V_m \sin(2\pi f_m t)$. When you multiply that by the Fourier equation describing the carrier or sampling pulses, you get

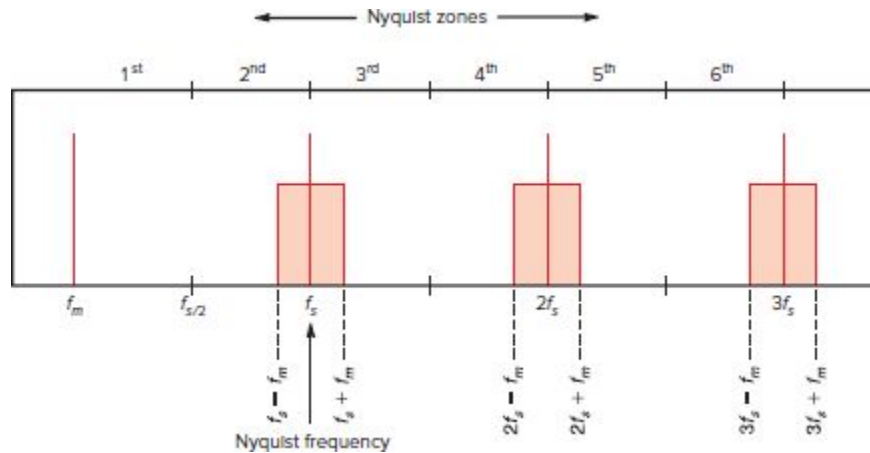
$$v = V_m D \sin \omega_m t + 2V_m D \left(\frac{\sin \pi D}{\pi D} \sin \omega_m t \cos \omega_s t + V_m \frac{\sin 2\pi D}{2\pi D} \sin \omega_m t \cos \omega_s t + V_m \frac{\sin 3\pi D}{3\pi D} \sin \omega_m t \cos \omega_s t + \dots \right)$$

The first term in this equation is the original information sine signal. If we put this complex signal through a low-pass filter set to a frequency a bit above the modulating signal, all the pulses will be filtered out, leaving only the desired information signal.

Looking at the complex signal again, you should see the familiar AM equations showing the product of sine and cosine waves. If you remember from Chap. 3, these sine-cosine expressions convert to sum and difference frequencies that form the sidebands in AM. Well, the same thing happens here. The modulating signal forms sidebands with the sampling frequency f_s or $f_s + f_m$ and $f_s - f_m$. Furthermore, sidebands are also formed with all the harmonics of the carrier or sampling frequency ($2f_s \pm f_m, 3f_s \pm f_m, 4f_s \pm f_m$, etc.). The resulting output is best shown in the frequency domain as in Fig. 7-11. We are not generally concerned about all the higher harmonics and their sidebands, for they will ultimately get filtered out. But we do need to look at the sidebands formed with the fundamental sine wave. Note in

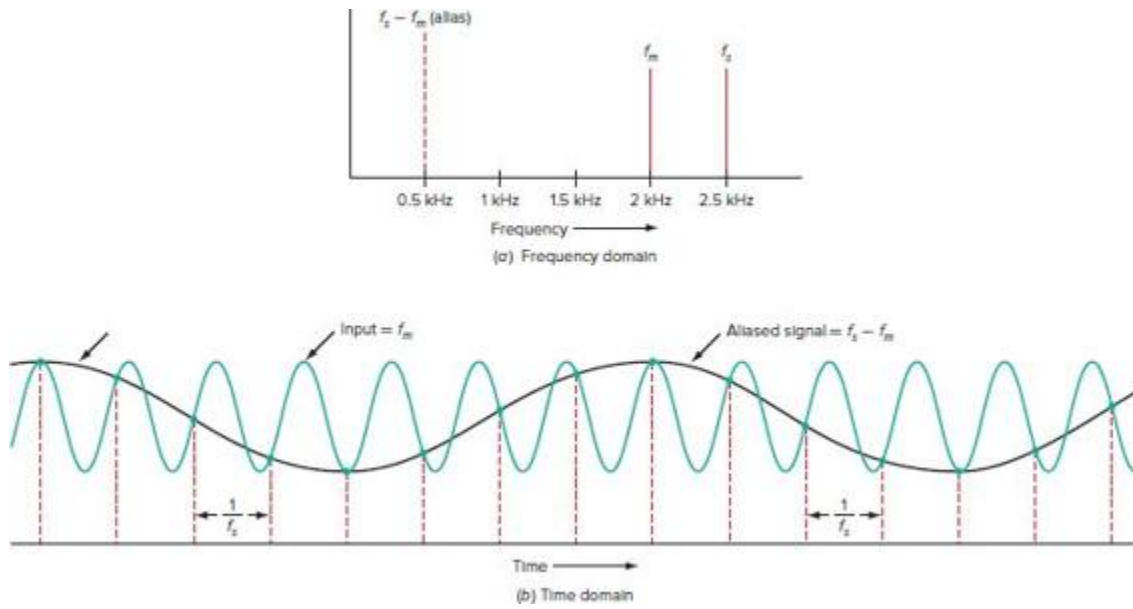
Fig. 7-11 that the Nyquist frequency is shown and the spectrum is divided into segments called Nyquist zones. A Nyquist zone is one-half the Nyquist frequency. Ideally the signal to be sampled must be less than $f_s/2$ or in the first Nyquist zone.

Figure 7-11 Spectrum of PAM signal.



All is well with this arrangement as long as the frequency (f) or carrier is two or more times the highest frequency in the modulating or information signal. However, if the sampling frequency is not high enough, then a problem called *aliasing* arises. Aliasing causes a new signal near the original to be created. This signal has a frequency of $f_s - f_m$. When the sampled signal is eventually converted back to analog by a D/A converter, the output will be the alias $f_s - f_m$ not the original signal f_m . Fig. 7-12(a) shows the spectrum, and Fig. 7-12(b) shows the original analog signal and the recovered alias signal.

Figure 7-12 Aliasing.



Assume a desired input signal of 2 kHz. The minimum sampling or Nyquist frequency is 4 kHz. But what if the sampling rate is only 2.5 kHz? This results in an alias signal of $2.5 \text{ kHz} - 2 \text{ kHz} = 0.5 \text{ kHz}$ or 500 Hz. It is this alias signal that will be recovered by a D/A converter, not the desired signal of 2 kHz.

GOOD TO KNOW

An *alias* is a signal that is mistakenly sampled when the sampling frequency is less than twice the input frequency. An antialiasing filter is used to ensure that the correct signal is used.

To eliminate this problem, a low-pass filter called an *antialiasing filter* is usually placed between the modulating signal source and the A/D converter input to ensure that no signal with a frequency greater than one-half the sampling frequency is passed. This filter must have extremely good selectivity. The roll-off rate of a common *RC* or *LC* low-pass filter is too gradual. Most antialiasing filters use multiple-stage *LC* filters, an *RC* active filter, or high-order switched capacitor filters to give the steep roll-off required to

eliminate any aliasing. The filter cutoff is usually set just slightly above the highest-frequency content of the input signal.

Oversampling and Undersampling

Sampling is the rate at which an analog input signal is measured. For each sample, a proportional binary number is generated. As you have seen, to preserve the content of the analog signal for faithful reproduction the sampling rate has to be two or more times the highest frequency content of the signal. Twice the highest frequency content is generally referred to as the Nyquist rate.

For example, assume that the input signal is a 2-MHz square wave with odd harmonics. To preserve the square wave, you must include up to at least the fifth harmonic, or 10 MHz. Therefore, the minimum Nyquist sampling rate has to be at least two times 10 MHz or $f_s \geq 20$ MHz. Usually the actual rate is more than two times the highest frequency in the input signal. This is called oversampling. Oversampling has both advantages and disadvantages.

Sampling at a rate less than the Nyquist rate is called undersampling. As you saw earlier, undersampling causes an undesirable effect called aliasing. Yet undersampling has some interesting benefits as well as downsides.

Oversampling. Oversampling is desirable as it is the best way to capture, process, and retain the fine detail in a signal. Fast rise and fall times or narrow pulses are examples. The greater the sampling rate, the finer the granularity of the digital version of the signal. The disadvantages of oversampling include higher cost, higher power consumption, increased memory size, and increased need for faster processing. Faster ADCs simply cost more.

Furthermore, faster ADCs are normally of the flash or pipelined type with larger, more complex circuitry making them consume more power. In CMOS designs, higher operating frequencies produce more power consumption. If the signal is being stored for later, a much larger memory is needed to store the samples, further increasing cost. If the samples are to be processed in real time as they are generated, the computer processor or digital circuitry in a field-programmable gate array (FPGA) must be faster, leading to increased cost.

As for advantages, oversampling does preserve page 206 the signal content. Second, oversampling makes the antialiasing filter less complex. The closer the upper frequency content is to the sampling rate, the greater the need for a very selective filter. Multiple stage filters of the elliptical type may be needed to eliminate any aliasing effects. The greater the oversampling rate, the smaller, simpler, and less expensive the filter.

A key benefit of oversampling is that because it produces many more samples in a given time, it has the effect of decreasing the quantization noise floor by spreading it over a wider frequency range. In other words, it improves the signal-to-noise ratio (SNR). This improvement in SNR is called processing gain.

The SNR is the ratio of the signal power (P_s) to the noise power (P_n). It is usually expressed in decibels:

$$\text{SNR (dB)} = 10 \log (P_s/P_n)$$

The process gain is computed with the expression:

$$\text{Process Gain (dB)} = 10 \log [(f/2)/\text{BW}]$$

The sampling frequency is f_s and BW is the bandwidth of the signal, which is usually the frequency range of the input signal from 0 Hz or DC to the highest frequency in the input signal to be preserved.

The total SNR then is:

$$\text{SNR}_{\text{total}} = \text{SNR} + \text{Process Gain}$$

For instance, assume an SNR of 68 dB, a signal bandwidth of 20 MHz, and a sampling rate of 100 MHz.

$$\text{Process Gain (dB)} = 10 \log [(100/2)/20] = 10 \log(2.5) = 4 \text{ dB}$$

$$\text{SNR}_{\text{total}} = 68 + 4 = 72 \text{ dB}$$

For small signal communications applications where the evil noise could mask a weak signal, the disadvantages of oversampling may be outweighed by the positive benefits of the process gain.

Undersampling. Undersampling is defined as sampling a signal at a rate that is less than the desired Nyquist rate of two times the highest frequency in the signal to be digitized. As you have seen, undersampling causes aliasing that upon recovery of the signal in a DAC produces a signal that is much lower in frequency. This is generally an undesirable effect that can be eliminated by adding a low-pass antialiasing filter in front of the ADC to cut off signals that are more than half the sampling rate.

On the other hand, this aliasing effect can be used to advantage because it acts as a form of mixing or modulation that transfers a signal from a higher frequency to a lower frequency. This is often done in radio receivers to translate a high-frequency signal to a lower fixed frequency called an intermediate frequency (IF) where it can be more adequately filtered for improved frequency selection. You will learn about this in Chap. 9 on receivers. The circuit that performs this equivalent of aliasing is called a mixer or

downconverter. As it turns out, an ADC using undersampling becomes a form of downconverter or mixer and can often eliminate mixing stages in modern receivers.

As indicated earlier, to retain all the relevant information in a signal to be digitized, the sampling frequency must be two or more times the maximum frequency component in the target signal. This requirement typically assumes that the spectrum of the signal to be digitized ranges from DC or 0 Hz to some upper frequency f_m . However, what the Nyquist requirement really says is that all the information will be retained if the signal is sampled at twice the *bandwidth* (BW) of the signal. The bandwidth of a signal is simply the difference between the upper (f_2) and lower (f_1) frequencies defining the bandwidth, or:

Bandwidth (BW)

$$BW = f_2 - f_1$$

If the spectrum is DC to f_m , then the bandwidth is page 207 clearly just f_m , or:

$$f_m = f_m - 0 = f_m$$

However, there are many instances where the signal is clearly a narrow channel around a center frequency. For example, the signal to be digitized could occupy the range of 70 ± 10 MHz or from 60 to 80 MHz. The bandwidth is

$$BW = 80 - 60 = 20 \text{ MHz}$$

What the sampling theorem says is that all the information will be retained if the sampling frequency is at least two times the bandwidth of the signal—or equal to or greater than

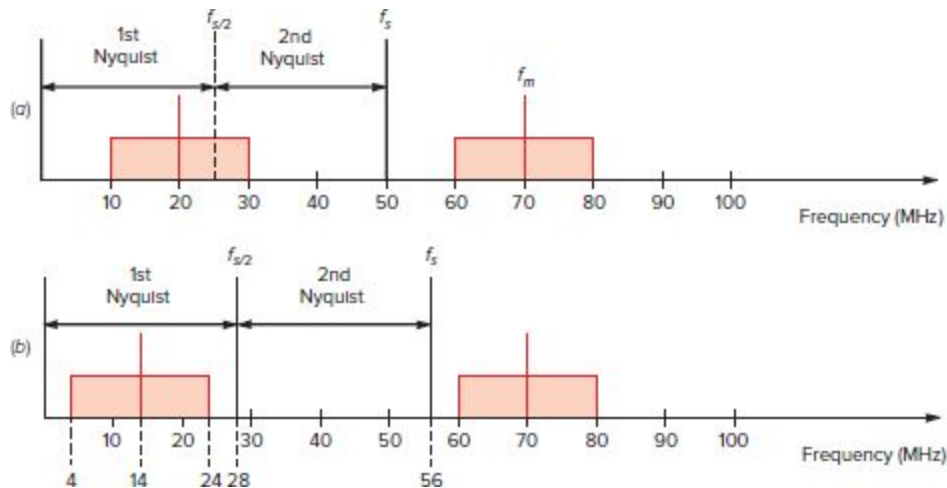
$$f_s = 2BW = 2(20) = 40 \text{ MHz}$$

Normally we would interpret this as having to use a sampling frequency of two times the upper frequency of 80 MHz. The sampling frequency would need to be at least $2(80) = 160$ MHz. Here the sampling theorem is saying we can sample the 60- to 80-MHz signal at a rate of 40 MHz or more, which is clearly undersampling. Therefore, aliasing will occur. What happens is that the original signal is translated to a lower frequency with all the related frequency components that are easily recovered with a DAC, assuming the use of an appropriate filter to get rid of the unwanted frequency components that are generated by this process. An example will illustrate this.

As you saw in Fig. 7-11, the sampling process is amplitude modulation with a rectangular wave producing a spectrum that is a collection of signals that represent the sampling frequency and its harmonics as carriers plus the sidebands based on the modulating signals. The frequencies are $f_s \pm f_m$ plus the harmonics and their sidebands of $2f_s \pm f_m, 3f_s \pm f_m$, and so on. This spectrum is produced even in undersampling.

Now assume a signal of 70 MHz with a bandwidth of ± 10 MHz or 20 MHz. The sum and difference frequencies produced by AM are the maximum sidebands of $70 + 10 = 80$ MHz and $70 - 10 = 60$ MHz. The bandwidth is 20 MHz, so the sampling frequency has to be 40 MHz or greater. Let's use a sampling frequency of 50 MHz. This produces the spectrum shown in Fig. 7-13a.

Figure 7-13 (a) An example of how aliasing acts as a down conversion. (b) Centering the spectrum in the first Nyquist zone.



The sidebands produced are the images or aliases. In the first case we have $f_s + f_m$, or $50 + 70 = 120$ MHz and $f_s - f_m$, or $50 - 70 = -20$ MHz. The difference is a negative frequency, which as it turns out is still a valid signal of 20 MHz. It is this difference signal that is the alias we are interested in. Using this process with the upper- and lower-band signals of 60 and 80 MHz produces a spectrum that extends from 10 MHz to 30 MHz, still a bandwidth of 20 MHz. What we have done is translated the 70 MHz signal down to 20 MHz while retaining all the sidebands and information within the 20 MHz bandwidth. A low-pass filter is used to remove all of the higher-frequency harmonic signals and their aliases.

There are several key advantages to [page 208](#) undersampling. First, we can use a slower sampling ADC. Slower ADCs are usually much less expensive and the related circuitry is less critical. Second, slower ADCs also typically consume less power. Third, slower ADCs allow more time between samples for digital signal processing to take place, meaning that a microcomputer or FPGA does not have to be as fast, providing further cost and power savings. Fourth, if memory is used after the ADC, less memory capacity is needed, further reducing cost and power consumption.

The key to a successful undersampling implementation is to choose the sampling frequency carefully. The example above selected an arbitrary 50 MHz because it was more than two times the signal bandwidth. It has been determined that the best sampling frequency can be selected by applying the formulas below. In the first application, the value of Z is determined from a selected sampling rate f_s and signal frequency f_m . If Z is not an integer, it is rounded down and used in the second formula to produce the desired actual sampling frequency. Using these formulas ensures that the signal is centered in the lowest Nyquist zone.

$$f_s \geq 2BW$$

$$f_s = (4f_m/2Z - 1)$$

The second formula is applied twice.

We have already solved the first formula by determining $f_s \geq 40$ MHz. We arbitrarily said $f_s = 50$ MHz.

Next we solve the second equation for Z . Remember that the center frequency is $f_m = 70$ MHz.

$$Z = 0.5[(4f_m/f_s) + 1]$$

$$Z = 0.5[4(70)/50 + 1] = 0.5[(280/50) + 1] = 0.5(5.6 + 1) = 3.3$$

We round this down to the closest integer, 3.

Now use the second formula to get the desired sampling frequency.

$$f_s = (4f_m/2Z - 1) = 4(70)/2(3) - 1 = 280/3 - 1 = 93.33 - 1 = 92.33 \text{ MHz}$$

A sampling frequency of 92.33 MHz centers the bandwidth in the first Nyquist zone. See Fig. 7-13b.

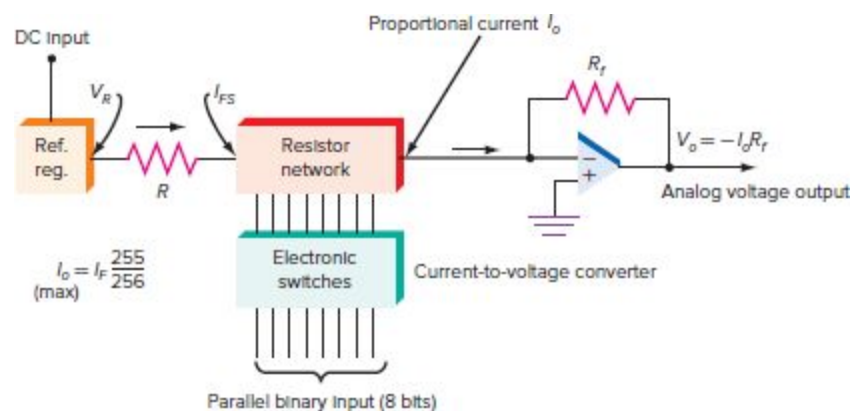
D/A Converters

There are many ways to convert digital codes to proportional analog voltages. However, the most popular methods are the R - $2R$, string, and weighted current source converters. These are available in integrated-circuit form and are also integrated into other larger systems on a chip (SoC).

R - $2R$ Converter. The R - $2R$ converter consists of four major sections, as shown in Fig. 7-14 and described in the next paragraphs.

Reference regulator

Figure 7-14 Major components of a D/A converter.



Reference Regulators. The precise *reference voltage regulator*, a zener diode, receives the dc supply voltage as an input and translates it to a highly precise reference voltage. This voltage is passed through a resistor that establishes the maximum input current to the resistor network and sets the precision of the circuit. The current is called the *full-scale current*, or I_{FS} .

Example 7-2

1. A signal of 15 MHz is sampled at a rate of 28 MHz. What alias is generated?
2. A signal of 140 MHz has a bandwidth of ± 20 MHz. What is the Nyquist sampling rate?
3. What is the aliased spectrum if the 140-MHz signal is sampled at a rate 60 MHz?
4. What is the desired sampling rate for centering the spectrum in the first Nyquist zone?

Solution

1. $f_a = f_s - f_m = 28 - 15 = 13$ MHz
2. $f_s \geq 2BW = 2(40) = 80$ MHz
3. The aliased spectrum is from 60 to 100 MHz with a center frequency of 80 MHz.
4. A more desirable f_s is 62.22 MHz.

$$I_{FS} = \frac{V_R}{R_R}$$

where V_R = reference voltage
 R_R = reference resistor

Resistor Networks. The precision *resistor network* is connected in a unique configuration. The voltage from the reference is applied to this resistor network, which converts the reference voltage to a current proportional to the binary input. The output of the resistor network is a current that is directly proportional to the binary input value and the full-scale reference current. Its maximum value is computed as follows:

Resistor network

$$I_O = \frac{I_{FS}(2^N - 1)}{2^N}$$

For an 8-bit D/A converter, $N = 8$.

Some modern D/A converters use a capacitor network instead of the resistor network to perform the conversion from a binary number to a proportional current.

Output Amplifiers. The proportional current is page 210 then converted by an op amp to a proportional voltage. The output of the resistive network is connected to the summing junction of the op amp. The output voltage of the op amp is equal to the output current of the resistor network multiplied by the feedback resistor value. If the appropriate value of feedback resistance is selected, the output voltage can be scaled to any desired value. The op amp inverts the polarity of the signal:

$$V_o = -I_o R_f$$

Electronic Switches. The resistor network is modified by a set of electronic switches that can be either current or voltage switches and are usually implemented with diodes or transistors. These switches are controlled by the parallel binary input bits from a counter, a register, or a microcomputer output port. The switches turn on or off to configure the resistor network.

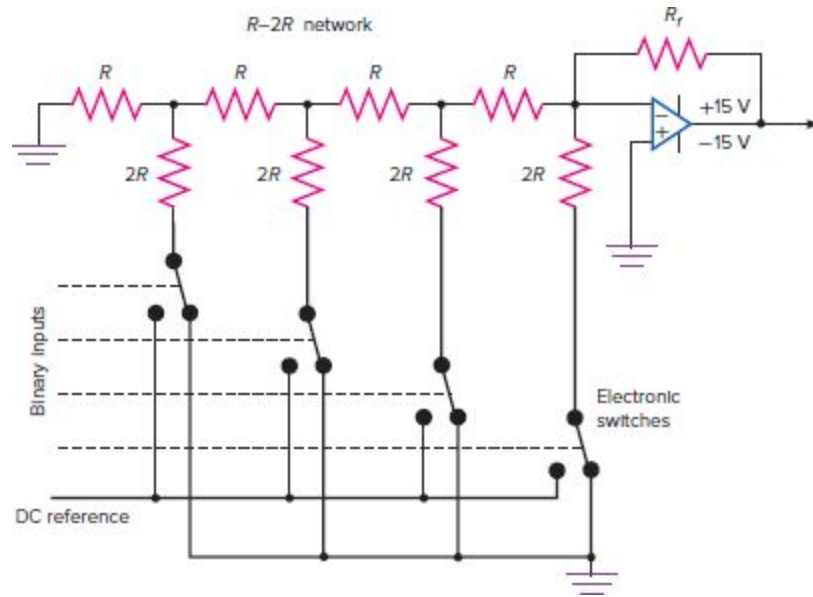
All the components shown in Fig. 7-14 are usually integrated onto a single IC chip. The only exception may be the amp, which may be an external circuit.

D/A converters of this type are available in a variety of configurations and can convert 8-, 10-, 12-, 14-, and 16-bit binary words.

The implementation of D/A converter circuitry varies widely. One of the most popular configurations is shown in detail in Fig. 7-15. Only 4 bits is shown, to simplify the drawing. Of particular interest is the resistor network, which uses only two values of resistance and thus is known as an *R-2R* ladder network. More complex networks have been devised but use a wider range of resistor values that are

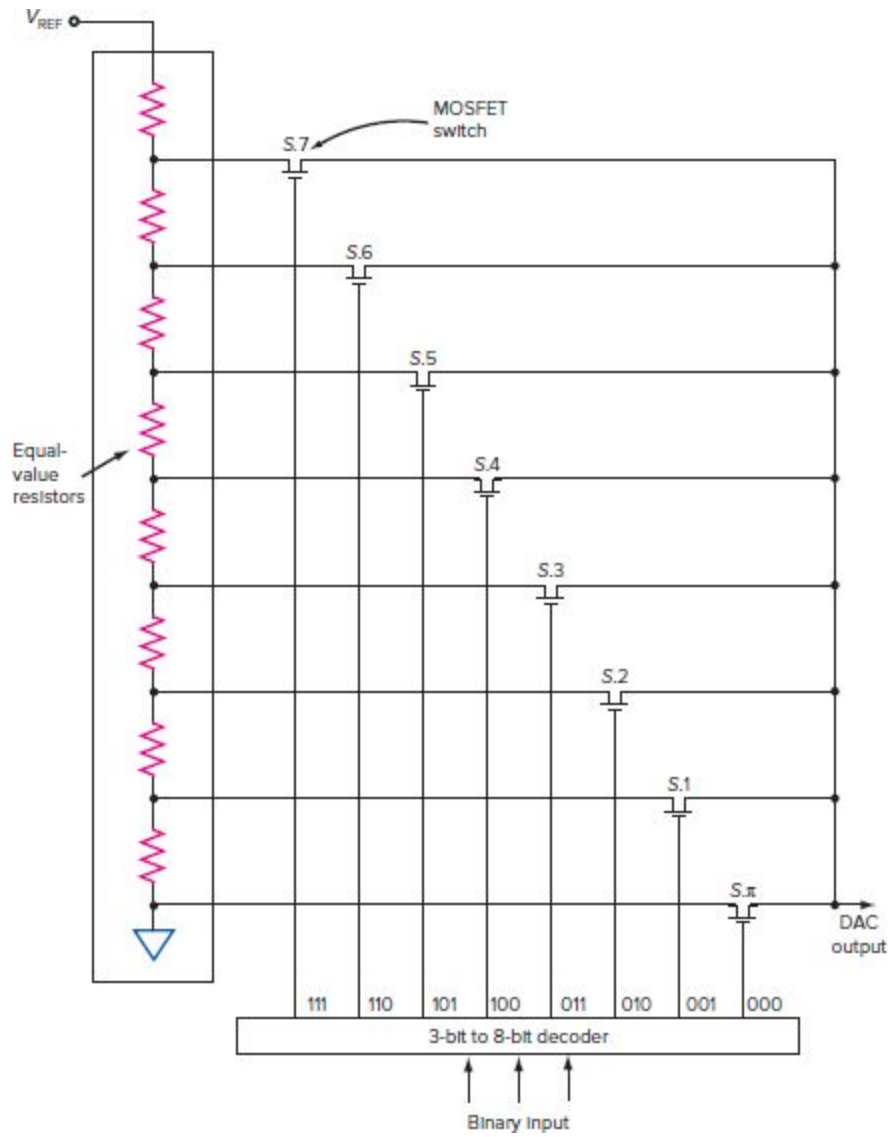
difficult to make with precise values in IC form. In Fig. 7-15 the switches are shown as mechanical devices, whereas in reality they are transistor switches controlled by the binary input. Many newer D/A converters and A/D converters use a capacitive network instead of the $R-2R$ network.

Figure 7-15 D/A convertor with $R-2R$ ladder network.



String DAC. The string DAC gets its name from the fact that it is made up of a series string of equal-value resistors forming a voltage divider. See Fig. 7-16. This voltage divider divides the input reference voltage into equal steps of voltage proportional to the binary input. There are 2^N resistors in the string, where N is the number of input bits that determines resolution. In Fig. 7-16 the resolution is $2^3 = 8$, so eight resistors are used. Higher resolutions of 10 and 12 bits are available in this configuration. If the input reference is 10 V, the resolution is $10/2^3 = 10/8 = 1.25$ V. The output varies in increments of 1.25 V from 0 to 8.75 V.

Figure 7-16 A string DAC.

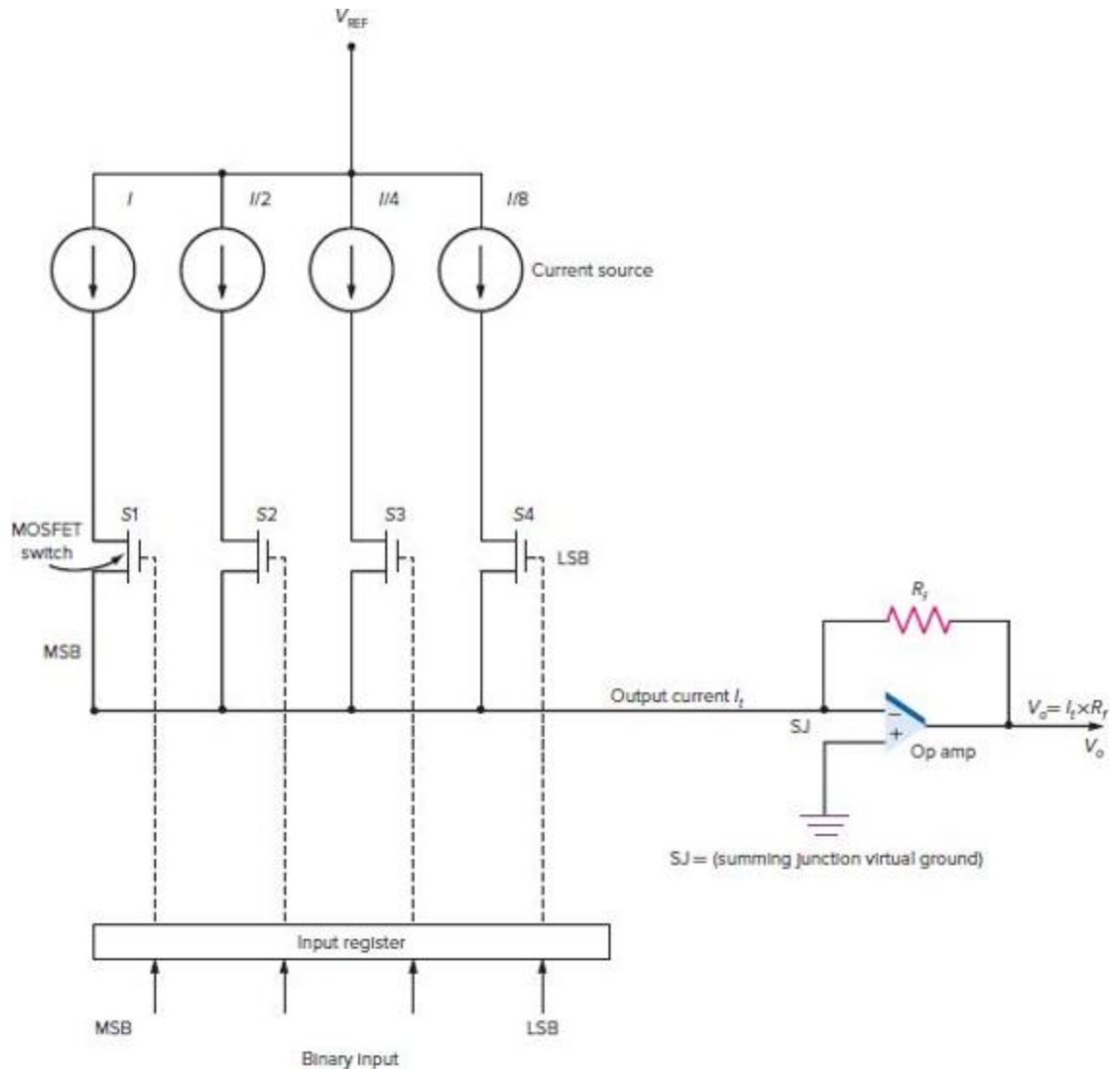


The output voltage is determined by a set of enhancement mode MOSFET switches controlled by a standard binary decoder. With 3 bits in, there are eight decoder outputs, each driving one MOSFET switch. If the input code is 000, switch S0 is turned on and the output is ground or 0 V. All other MOSFETs are off at this time. If the input code is 111, then S7 is turned on and the output voltage is 8.75 V. The output is a voltage and may be further conditioned by an op amp with gain and a lower output impedance as needed by the application.

Weighted Current Source DAC. A popular configuration for very high-speed DACs is the weighted current source DAC shown in Fig. 7-17. The current sources supply a fixed current that is determined by the external reference voltage. Each current source supplies a binary weighted value of I , $I/2$, $I/4$, $I/8$, etc. The current sources are made up of some combination of resistors, MOSFETs, or in some cases bipolar transistors. The switches are usually fast enhancement mode MOSFETs, but bipolar transistors are used in some models. The parallel binary input is usually stored in an input register, and the register outputs turn the switches off and on as dictated by the binary value. The current source outputs are added at the summing junction of an op amp. The output voltage V_o is the sum of the currents I_t multiplied by the feedback resistor R_f .

$$V_o = I_t R_f$$

Figure 7-17 Weighted current source DAC.



In Fig. 7-17, with 4 bits of resolution, there are $2^N = 2^4 = 16$ increments of current. Assume $I = 100 \mu A$. If the input binary number is 0101, then switches $S2$ and $S4$ are closed and the current is $50 + 12.5 = 62.5 \mu A$. With a $10\text{-k}\Omega$ feedback resistor, the output voltage would be $62.5 \times 10^{-6} \times 10 \times 10^3 = 0.625 \text{ V}$.

Current source DACs are used for very fast conversions and are available in resolutions of 8, 10, 12, and 14 bits.

Resolution

D/A Converter Specifications. Four important specifications are associated with D/A converters: speed, resolution, error, and settling time. Speed is the fastest rate

that the D/A converter can generate output steps. Modern DACs can achieve rates to 10 Gigasamples per second (10 GSPS).

Resolution is the smallest increment of voltage that the D/A converter produces over its output voltage range. Resolution is directly related to the number of input bits. It is computed by dividing the reference voltage V_R by the number of output steps $2^N - 1$. There is 1 fewer increment than the number of binary states.

For a 10-V reference and an 8-bit D/A converter the resolution is $10/(2^8 - 1) = 10/255 = 0.039 \text{ V} = 39 \text{ mV}$.

For high-precision applications, D/A converters page 213 with larger input words should be used. D/A converters with 8 and 12 bits are the most common, but D/A converters with 10, 14, 16, 20, and 24 bits are available.

Error is expressed as a percentage of the maximum, or full-scale, output voltage, which is the reference voltage value. Typical error figures are less than ± 0.1 percent. This error should be less than one-half the minimum increment. The smallest increment of an 8-bit D/A converter with a 10-V reference is 0.039 V or 39 mV. Expressed as a percentage, this is $0.039 \div 10 = 0.0039 \times 100 = 0.39$ percent. One-half of this is 0.195 percent. With a 10-V reference, this represents a voltage of $0.00195 \times 10 = 0.0195 \text{ V}$, or 19.5 mV. A stated error of 0.1 percent of full scale is $0.001 \times 10 = 0.01 \text{ V}$, or 10 mV.

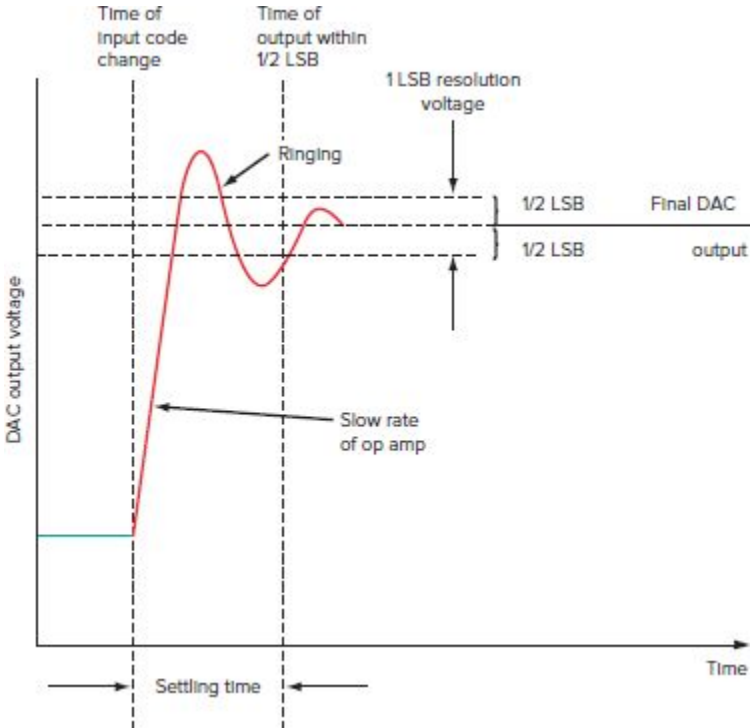
Error

Settling time is the amount of time it takes for the output voltage of a D/A converter to stabilize to within a specific voltage range after a change in binary input. Refer to Fig. 7-18. When a binary input change occurs, a finite amount of time is needed for the electronic switches to turn on and off and for any circuit capacitance to charge or discharge. During the change, the output rings and overshoots, and contains transients from the switching action. The output is

thus not an accurate representation of the binary input; it is not usable until it settles down.

Settling time

Figure 7-18 Settling time.



GOOD TO KNOW

Settling time is usually equal to the time it takes for the output of the D/A converter to settle to $\pm 1/2$ least significant bit (LSB) change.

Settling time is the time it takes for the D/A converter's output to settle to within $\pm\frac{1}{2}$ LSB change. In the case of the 8-bit D/A converter described earlier, when the output voltage settles to less than one-half the minimum voltage change of 39 mV, or 19.5 mV, the output can be considered stable. Typical settling times are in the 100-ns range. This specification is important because it determines the maximum speed of operation of the circuit, called the conversion time. A 100-ns settling time translates to a frequency of $1/100 \times 10^{-9} = 10$ MHz. Operations faster than this result in output errors.

Monotonicity is another DAC specification. A DAC is monotonic if the output increases in one increment of resolution voltage for each increment of binary number input. In very high-resolution DACs with very small increments, it is possible that circuit inaccuracies could literally result in a decrease in output voltage for a binary increase. This is often caused by poorly trimmed and matched resistors or current sources in the DAC.

Another specification is dc operating voltage and page 214 current. Older DACs operated from +5 V, but most of the newer ones operate from 3.3 or 2.5 V. A current consumption figure is also usually given.

Another consideration is how many DACs there are per chip. ICs with two, four, and eight DACs per chip are available. In the multi-DAC chips, the binary input is serial. Serial input is an option on most DACs today as the serial input greatly reduces the number of pins devoted to input signals. A 16-bit parallel DAC has, of course, 16 input pins. The same DAC with a serial input has only one input pin. Typical serial input formats are the serial peripheral interface (SPI) or the *I²C* interface common on most embedded controllers and microprocessors.

The binary input voltage is also a specification. Older DACs used a TTL or CMOS compatible +5V input while newer

chips use lower input signal voltages of 1.8, 2.5, or 3.3 V. High-speed DACs often use *current mode logic (CML)* inputs or low-voltage differential signaling (LVDS) levels with a differential signal swing of only a few hundred millivolts.

The reference voltage is typically from 1 to 5 V from a temperature-compensated zener diode which is usually on the DAC chip.

A/D Converters

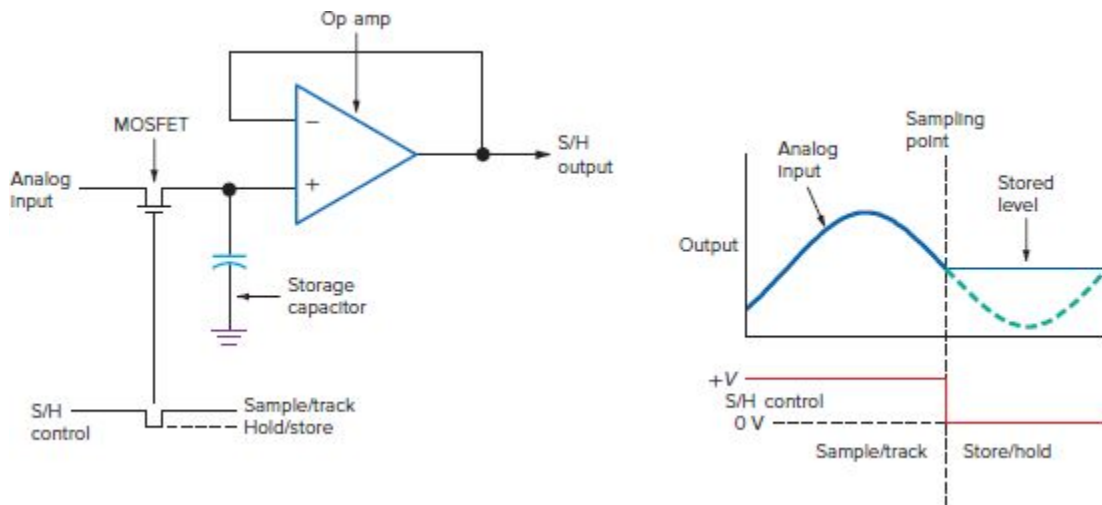
A/D conversion begins with the process of sampling, which is usually carried out by a sample-and-hold (S/H) circuit. The S/H circuit takes a precise measurement of the analog voltage at specified intervals. The A/D converter (ADC) then converts this instantaneous value of voltage and translates it to a binary number.

Sample-and-hold (S/H) circuit (track/store circuit)

S/H Circuits. A *sample-and-hold (S/H) circuit*, also called a *track/store circuit*, accepts the analog input signal and passes it through, unchanged, during its sampling mode. In the hold mode, the amplifier remembers or memorizes a particular voltage level at the instant of sampling. The output of the S/H amplifier is a fixed dc level whose amplitude is the value at the sampling time.

Fig. 7-19 is a simplified drawing of an S/H amplifier. The main element is a high-gain dc differential op amp. The amplifier is connected as a follower with 100 percent feedback. Any signal applied to the noninverting (+) input is passed through unaffected. The amplifier has unity gain and no inversion.

Figure 7-19 An S/H amplifier.



A storage capacitor is connected across the very high input impedance of the amplifier. The input signal is applied to the storage capacitor and the amplifier input through a MOSFET gate. An enhancement mode MOSFET that acts as an on/off switch is normally used. As long as the control signal to the gate of the MOSFET is held high, the input signal will be connected to the op amp input and capacitor. When the gate is high, the transistor turns on and acts as a very low-value resistor, connecting the input signal to the amplifier. The charge on the capacitor follows the input signal. This is the sample or track mode for the amplifier. The op amp output is equal to the input.

When the S/H control signal goes low, the page 215 transistor is cut off, but the charge on the capacitor remains. The very high input impedance of the amplifier allows the capacitor to retain the charge for a relatively long time. The output of the S/H amplifier, then, is the voltage value of the input signal at the instant of sampling, i.e., the point at which the S/H control pulse switches from high (sample) to low (hold). The op amp output voltage is applied to the A/D converter for conversion to a proportional binary number.

The primary benefit of an S/H amplifier is that it stores the analog voltage during the sampling interval. In some high-frequency signals, the analog voltage may increase or decrease during the sampling interval; this is undesirable because it confuses the A/D converter and introduces what is referred to as aperture error. The S/H amplifier, however, stores the voltage on the capacitor; with the voltage constant during the sampling interval, quantizing is accurate.

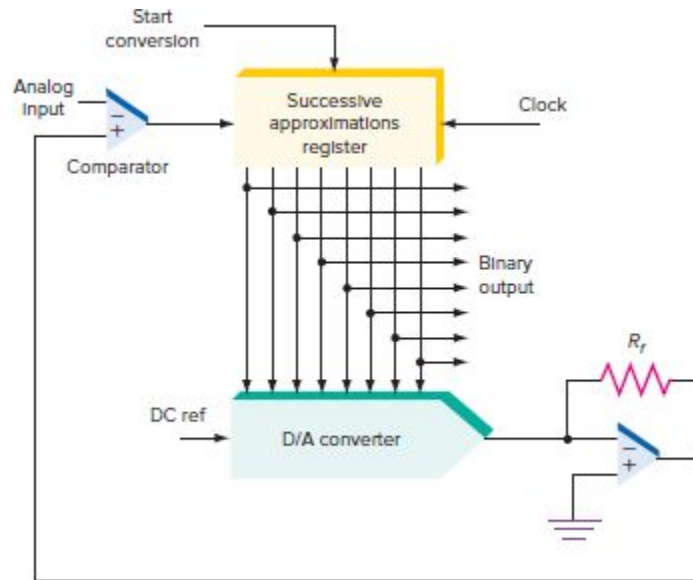
There are many ways to translate an analog voltage to a binary number. The next sections describe the most common ones.

Successive-approximations converter

Successive-approximations register (SAR)

Successive-Approximations Converters. This converter contains an 8-bit *successive-approximations register (SAR)*, as shown in Fig. 7-20. Special logic in the register causes each bit to be turned on one at a time from MSB to LSB until the closest binary value is stored in the register. The clock input signal sets the rate of turning the bits off and on.

Figure 7-20 Successive-approximations A/D converter.



Assume that the SAR is initially reset to zero. When the conversion is started, the MSB is turned on, producing 10 000 000 at the output and causing the D/A converter output to go to half-scale. The D/A converter output is applied to the op amp, which applies it to the comparator along with the analog input. If the D/A converter output is greater than the input, the comparator signals the SAR to turn off the MSB. The next MSB is turned on. The D/A converter output goes to the proportional analog value, which is again compared to the input. If the D/A converter output is still greater than the input, the bit will be turned off; if the D/A converter output is less than the input, the bit will be left at binary 1.

The next MSB is then turned on, and another comparison is made. The process continues until all 8 bits have been turned on or off and eight comparisons have been made. The output is a proportional 8-bit binary number. With a clock frequency of 200 kHz, the clock period is $1/200 \times 10^3 = 5 \mu\text{s}$. Each bit decision is made during the clock period. For eight comparisons at $5 \mu\text{s}$ each, the total conversion time is $8 \times 5 = 40 \mu\text{s}$.

Successive-approximations converters are fast and consistent. They are available with conversion times from about 0.25 to $200\ \mu\text{s}$, and 8-, 10-, 12-, and 16-bit versions are available. Conversion times are also expressed as megasamples per second (MSPS). Successive-approximations converters with speeds to 5 MSPS are available.

Instead of using a D/A converter with an R - $2R$ network, many newer successive-approximations converters use capacitors instead of resistors in the weighting network. The most difficult part of making an integrated-circuit (IC) A/D or D/A converter is the resistor network. It can be made with laser-trimmed thin-film resistors, but these require very expensive processing steps in making the IC. Resistors also take up more space on an IC than any other component. In A/D converters, the R - $2R$ network takes up probably 10 or more times the space of all the rest of the circuitry. To eliminate these problems, a capacitor network can be used to replace the resistor network. Capacitors are easy to make and take up little space.

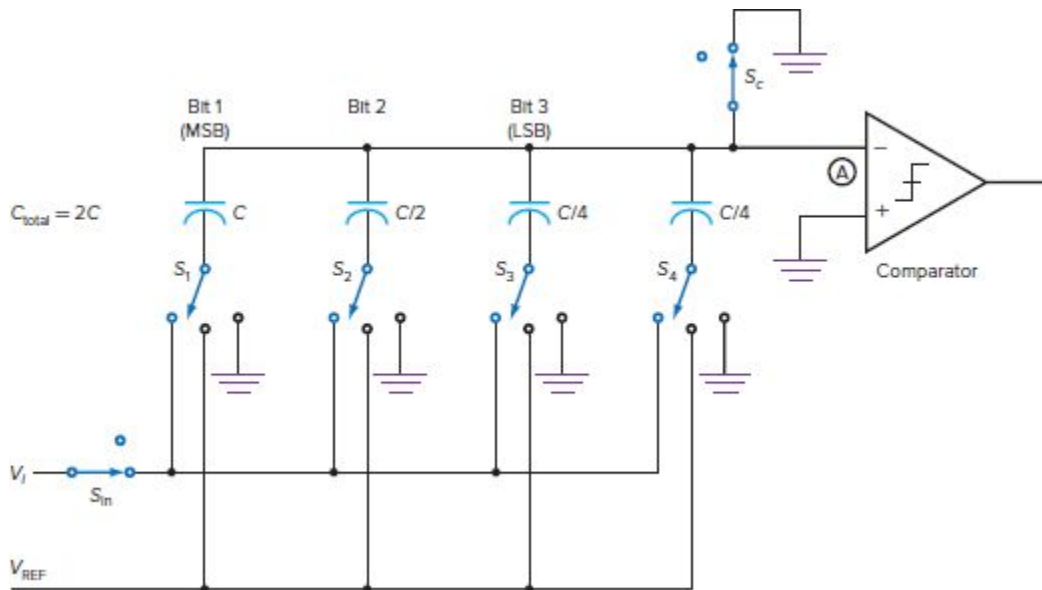
GOOD TO KNOW

Resistors on integrated circuits take up more space than other components. To save space in IC chip design, resistor networks can be redesigned as capacitor networks.

The basic concept of a capacitive network is shown in Fig. 7-21. This is a simple 3-bit D/A converter. Note that the capacitors have binary weights of C , $C/2$, and $C/4$. The total capacitance of all capacitors in parallel is $2C$. The actual capacitor values are irrelevant since the capacitor ratios determine the outcome of the conversion. This fact also makes it easy to make the IC, since precise capacitor values are not needed. Only the ratio must be carefully controlled, and this is easier to do when making the IC than with laser

trimming resistors. The switches in this diagram represent MOSFET switches in the actual circuit. A 3-bit successive-approximations register operates the switches labeled s_1 through s_4 .

Figure 7-21 A switched-capacitor D/A converter used in newer successive-approximations A/D converters.



To start the conversion, switches s_c and s_{in} are closed, and switches s_1 through s_4 connect v_i to the capacitors, which are in parallel at this time. The comparator is shorted out temporarily. The input analog signal to be sampled and converted v_i is applied to all capacitors, causing each to charge up to the current signal value. Next, the s_c and s_{in} switches are opened, storing the current value of the signal on the capacitors. Since the capacitors store the input value at sampling time, no separate S/H circuit is needed. The successive-approximations register and related circuitry switch the reference voltage V_{REF} to the various capacitors in a specific sequence, and the comparator looks at the resulting voltage at each step and makes a decision about whether a 0 or 1 results from the comparison at each step. For example, in the first step s_1 connects V_{REF} to capacitor C ,

and all other capacitors are switched to ground via s_2 to s_4 . Capacitor C forms a voltage divider with all the other capacitors in parallel. The comparator looks at the junction of the capacitors (node A) and then outputs a 0 or 1 depending upon the voltage. If the voltage at the junction is greater than the comparator threshold (usually one-half of the supply voltage), a 0 bit appears at the comparator output and is also stored in an output register. If the voltage at the junction is less than the threshold, a 1 bit appears at the comparator output and is stored in the output register. If a 1 bit occurs, capacitor C remains connected to V_{REF} throughout the remainder of the conversion.

The process continues by connecting the $C/2$ page 217 capacitor from ground to V_{REF} , and the comparison again takes place and another output bit is generated. This process continues until all capacitor voltages have been compared. During this process, the initial charges on the capacitors are redistributed according to the value of the input voltage. The binary output appears in the successive-approximations register.

The circuit is easily expanded with more capacitors to produce a greater number of output bits. Both positive and negative reference voltages can be used to accommodate a bipolar input signal.

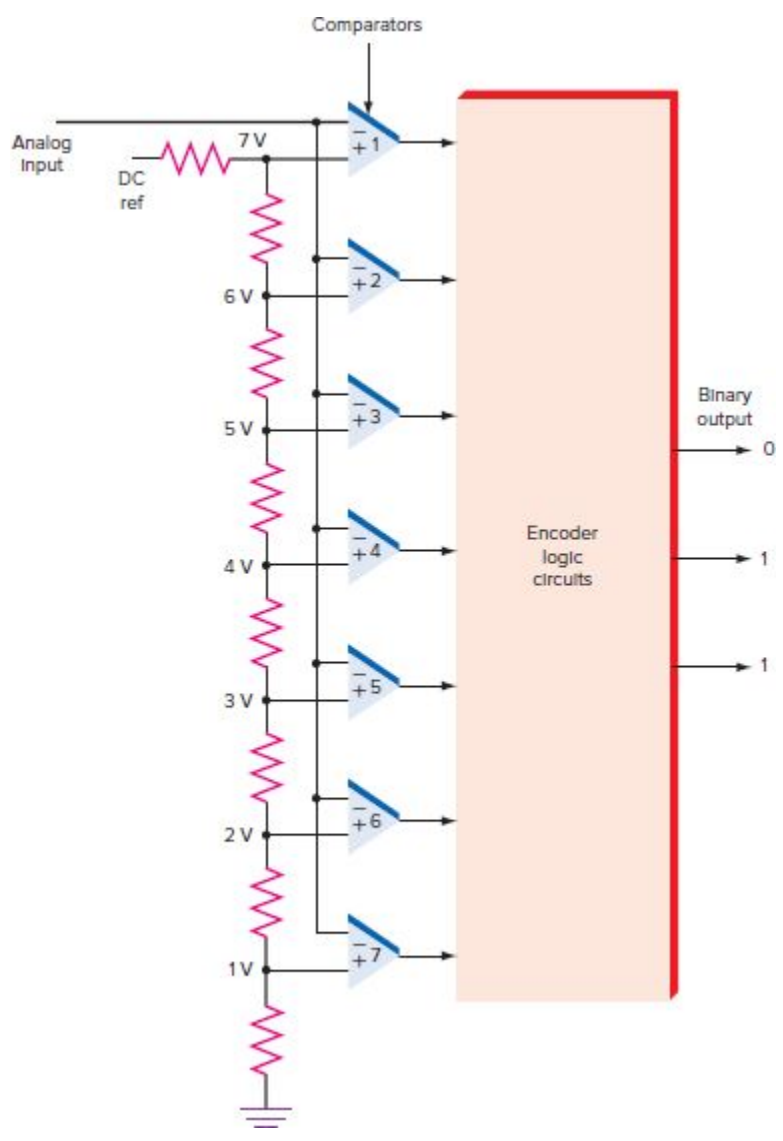
A switched-capacitor network makes the A/D converter very small. It can then be easily integrated into other circuits. A typical case is an A/D converter integrated into a microcontroller chip with memory.

Flash converter

Flash Converters. A *flash converter* takes an entirely different approach to the A/D conversion process. It uses a large resistive voltage divider and multiple analog comparators. The number of comparators required is equal to $2^N - 1$, where N is the number of desired output bits. A 3-bit

A/D converter requires $2^3 - 1 = 8 - 1 = 7$ comparators (see Fig. 7-22).

Figure 7-22 A flash converter.



The resistive voltage divider divides the dc reference voltage range into a number of equal increments. Each tap on the voltage divider is connected to a separate analog comparator. All the other comparator inputs are connected together and driven by the analog input voltage. Some comparators will be on and others will be off, depending on

the actual value of input voltage. The comparators operate in such a way that if the analog input is greater than the reference voltage at the divider tap, the comparator output will be binary 1. For example, if the analog input voltage in Fig. 7-22 is 4.5 V, the outputs of comparators 4, 5, 6, and 7 will be binary 1. The other comparator outputs will be binary 0. The encoder logic, which is a special combinational logic circuit, converts the 7-bit input from the comparators to a 3-bit binary output.

Successive-approximations converters generate their output voltage after the circuits go through their decision-making process. The flash converter, on the other hand, produces a binary output almost instantaneously. Counters do not have to be incremented, and a sequence of bits in a register does not have to be turned on and off. Instead, the flash converter produces an output as fast as the comparators can switch and the signals can be translated to binary levels by the logic circuits. Comparator switching and logic propagation delays are extremely short. Flash converters, therefore, are the fastest type of A/D converter. Conversion speeds of less than 100 ns are typical, and speeds of less than 0.5 ns are possible. Flash speeds are given in MSPS or gigasamples per second (GSPS) or 10^9 samples per second. Flash A/D converters are complicated and expensive because of the large number of analog comparators required for large binary numbers. The total number of comparators required is based upon the power of 2. An 8-bit flash converter has $2^8 - 1 = 255$ comparator circuits. Obviously, ICs requiring this, many components are large and difficult to make. They also consume much more power than a digital circuit because the comparators are linear circuits. Yet for high-speed conversions, they are the best choice. With the high speed they can achieve, high-frequency signals such as video signals can be easily

digitized. Flash converters are available with output word lengths of 6, 8, and 10.

Example 7-3

The voltage range of an A/D converter that uses 14-bit numbers is -6 to $+6$ V. Find (a) the number of discrete levels (binary codes) that are represented, (b) the number of voltage increments used to divide the total voltage range, and (c) the resolution of digitization expressed as the smallest voltage increment.

a. $2^N = 2^{14} = 16,384$

b. $2^N - 1 = 16,384 - 1 = 16,383$

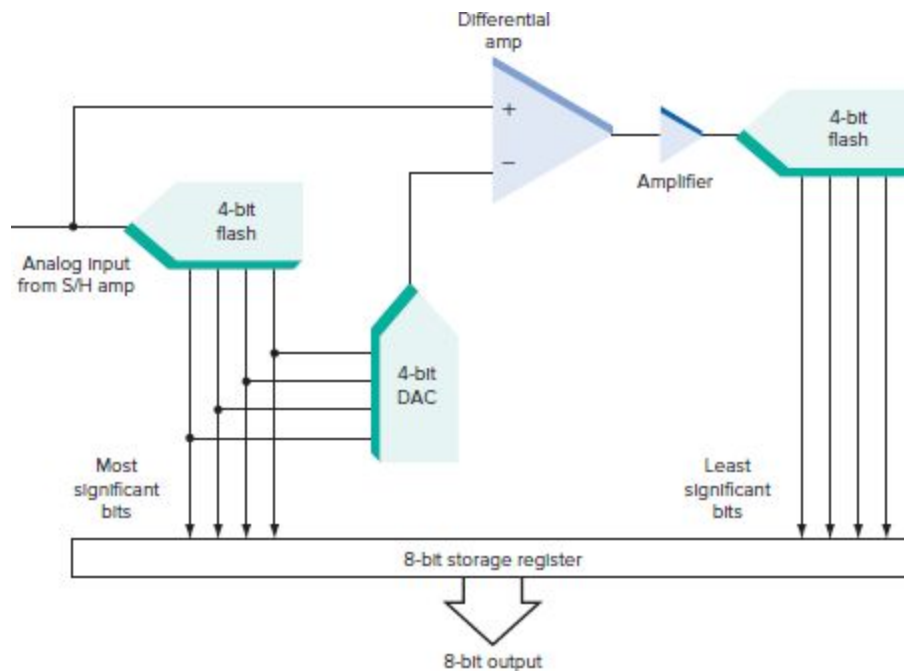
c. The total voltage range is -6 to $+6$ V, or 12 V; thus,

$$\text{Resolution} = \frac{12}{16,383} = 0.7325 \text{ mV} \quad \text{or} \quad 732.5 \mu\text{V}$$

Pipelined Converters. A pipelined converter is [page 219](#) one that uses two or more low-resolution flash converters to achieve higher speed and higher resolution than successive-approximations converters but less than a full flash converter. High-resolution flash converters with more than 8 bits are essentially impractical because the large number of comparators required makes the power consumption very high. However, it is possible to use several flash converters with a smaller bit count to achieve very high conversion speeds and higher resolution. An example is the two-stage 8-bit pipeline converter shown in Fig. 7-23. The sampled analog input signal from a sample/hold (S/H) amplifier is applied to a 4-bit flash converter that generates the 4 most significant bits. These bits are applied to a 4-bit DAC and converted back to analog. The DAC output signal is then subtracted from the original analog input signal in a differential amplifier. The

residual analog signal represents the least significant part of the signal. It is amplified and applied to a second 4-bit flash converter. Its output represents the 4 least significant bits of the output.

Figure 7-23 A two-stage 8-bit pipelined converter.



With just two 4-bit flash converters, only 30 comparators are needed to achieve an 8-bit resolution. Otherwise, it would take 255 comparators, as indicated earlier. The trade-off here is lower speed. A pipelined converter is obviously slower because it has to undergo a two-step conversion, one in each flash converter. However, the overall result is still very fast, much faster than that of any successive-approximations converter.

This principle can be extended to three, four, or more pipeline stages to achieve resolutions of 12, 14, and 16 bits. Speeds as high as 10 GSPS are possible with this arrangement.

ADC Specifications

The key ADC specifications are speed, resolution, dynamic range, signal-to-noise ratio, effective number of bits, and spurious free dynamic range. Speed is the fastest sampling rate the ADC can achieve. Lower rates may be used. Modern ADCs can sample at rates to 20 GSPS.

Resolution is related to the number of bits. Resolution indicated the smallest input voltage that is recognized by the converter and is the reference voltage V_{REF} divided by 2^N , where N is the number of output bits. ADCs with resolutions of 8, 10, 12, 14, 16, 18, 20, 22, and 24 are used in a wide range of applications.

Dynamic range is a measure of the range of input page 220 voltages that can be converted. It is expressed as the ratio of the maximum input voltage to the minimum recognizable voltage and converted to decibels. In any ADC, the minimum input voltage is simply the value of the LSB voltage or 1. The maximum input is simply related to the maximum output code or $2^N - 1$, where N is the number of bits. Therefore, you can express the dynamic range with the expression

$$\text{dB} = \frac{20 \log 2^N - 1}{1} \quad \text{or just} \quad 20 \log(2^N - 1)$$

The dynamic range of a 12-bit converter then is

$$\text{dB} = 20 \log (2^{12} - 1) = 20 \log (4096 - 1) = 20 \log 4095 = 72.24 \text{ dB}$$

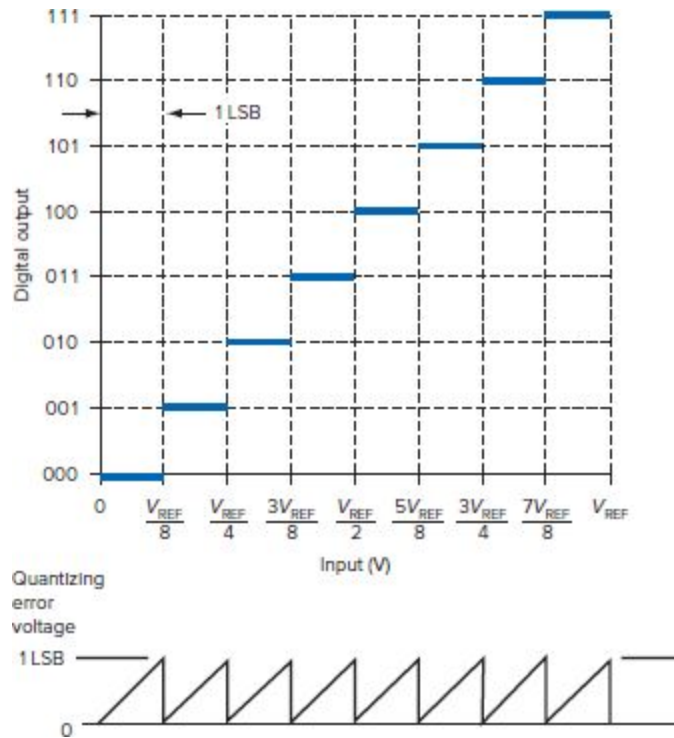
The greater the decibel value, the better.

The signal-to-noise (S/N) ratio (SNR) plays a major part in the performance of an ADC. This is the ratio of the actual input signal voltage to the total noise in the system. The noise comes from a combination of clock-related noise, power supply ripple, external signal coupling, and

quantizing noise. The clock noise can be minimized by locating clock wiring away from the ADC and minimizing jitter on the clock signal. Good bypassing on the power supply should take care of most ripple noise. Then shielding the converter will reduce signals coupled in by inductive or capacitive coupling. Quantizing noise is another matter altogether. It is the result of the conversion process itself and cannot be reduced beyond a certain point.

Quantizing noise is an actual voltage that manifests itself as noise added to the analog input signal as the result of the error produced in converting an analog signal to its closest digital value. You can see this error if you plot it over the input voltage range, as shown in Fig. 7-24. This figure is a plot showing the input voltage and the related output code in a simple 3-bit ADC. The 1-LSB resolution is $V_{ref}/2^N$. Below the plot is the noise or error voltage. When the ADC input voltage is exactly equal to the voltage represented by each output code, the error is zero. But as the voltage difference between the actual input voltage and the voltage represented by the code becomes greater, the error voltage increases. The result is a sawtoothlike error voltage that in effect becomes noise added to the input signal. Luckily, the maximum noise peak is just 1 LSB, but that can reduce the conversion accuracy depending upon the input signal level. Quantization noise can be reduced by using a converter with a greater number of bits, as this reduces the maximum noise represented by the LSB value.

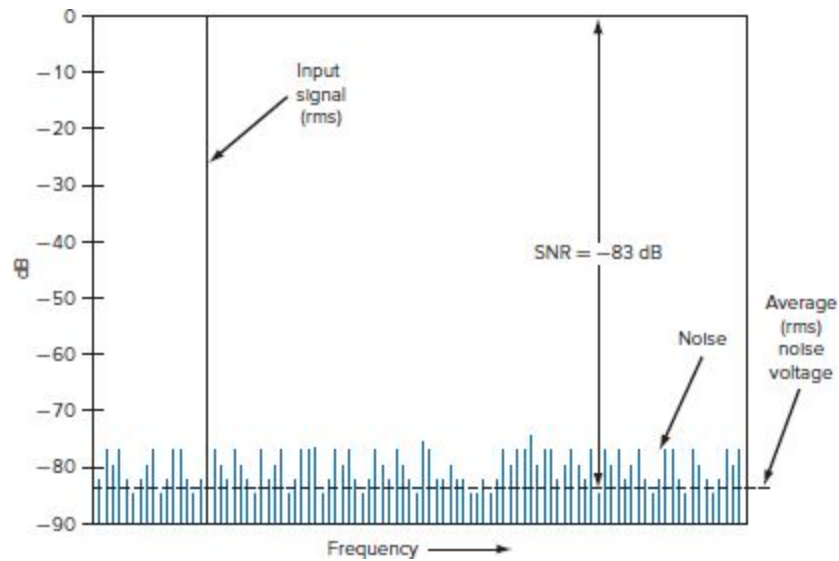
Figure 7-24 Quantizing noise is the error resulting from the difference between the input signal level and the available quantizing levels.



Another way to show quantizing noise is given in [page 221](#) Fig. 7-25. If you could take the binary output of the ADC and convert it back to analog in a DAC and then show a frequency-domain plot of the result, this is what you would see. The noise, which is mostly quantizing noise, has multiple frequency components over a wide frequency range. The large vertical line represents the analog input signal voltage being converted. This plot also shows the signal-to-noise ratio in decibels. The rms value of the signal voltage and the average rms value of the noise are used in computing the decibel value of the SNR.

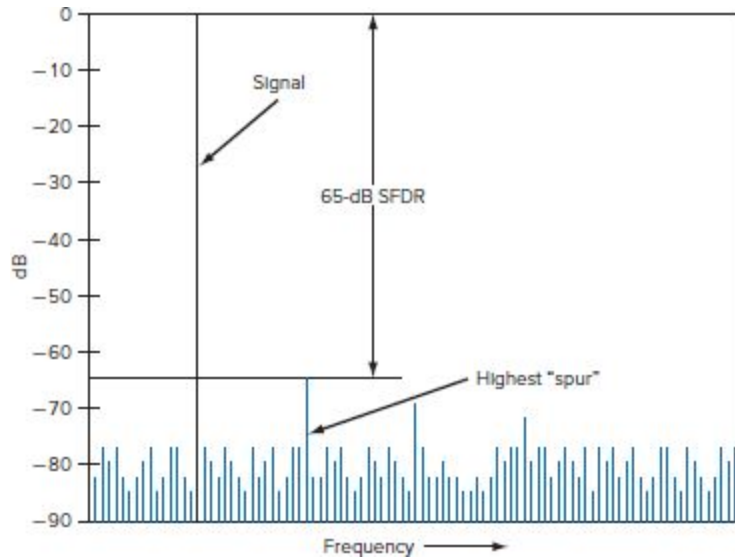
Spurious free dynamic range (SFDR)

Figure 7-25 A frequency-domain plot of the quantizing noise and signal voltages.



A related specification is *spurious free dynamic range* (*SFDR*). See Fig. 7-26. It is the ratio of the rms signal voltage to the voltage value of the highest “spur” expressed in decibels. A spur is any spurious or unwanted signal that may result from intermodulation distortion. This is the formation of signals that are the result of mixing or modulation action caused by any nonlinear characteristic of the converter circuitry, an amplifier, or related circuit or component. The spurs are sums or differences between the various signals present and their harmonics.

Figure 7-26 SFDR is the difference between the signal voltage and highest spur voltage.



As you might suspect, any noise, harmonics, or [page 222](#) spurious signals all add together and basically reduce the resolution of an ADC. Often the combined noise level is greater than the LSB value, so only those more significant bits really define the signal amplitude. This effect is expressed by a measure known as the *effective number of bits (ENOB)*. ENOB is computed with the expression

$$\text{ENOB} = \frac{\text{SINAD} - 1.76}{6.02}$$

SINAD is the ratio of the signal amplitude to all the noise plus harmonic distortion in the circuit. SINAD in a totally noise- and distortion-free ADC is $6.02N + 1.76$, where N is the number of bits of resolution. This is the best SINAD figure possible, and it will be less in a practical converter.

Example 7-4

1. Calculate the SINAD for a 12-bit converter.
2. Calculate the ENOB for a converter with an SINAD of 78 dB.

Solution

1. $\text{SINAD} = 6.02(12) + 1.76 = 74 \text{ dB}$
2. $\text{ENOB} = (78 - 1.76)/6.02 = 12.66 \text{ bits, or just 12 bits.}$

Sigma-Delta Converter. Another popular form of ADC is the *sigma-delta* ($\Sigma\Delta$) *converter*. Also known as a delta-sigma or charge balance converter, this circuit provides extreme precision, wide dynamic range, and low noise compared to other converters. It is available with output word lengths of 18, 20, 22, and 24 bits. These converters are widely used in digital audio applications, for example, CD, DVD, and MP3 players, as well as in industrial and geophysical applications where low-speed sensor data is to be captured and digitized. They are not designed for high speed, nor are they adaptable to applications in which many separate channels must be multiplexed into one.

Sigma-delta ($\Sigma\Delta$) converter

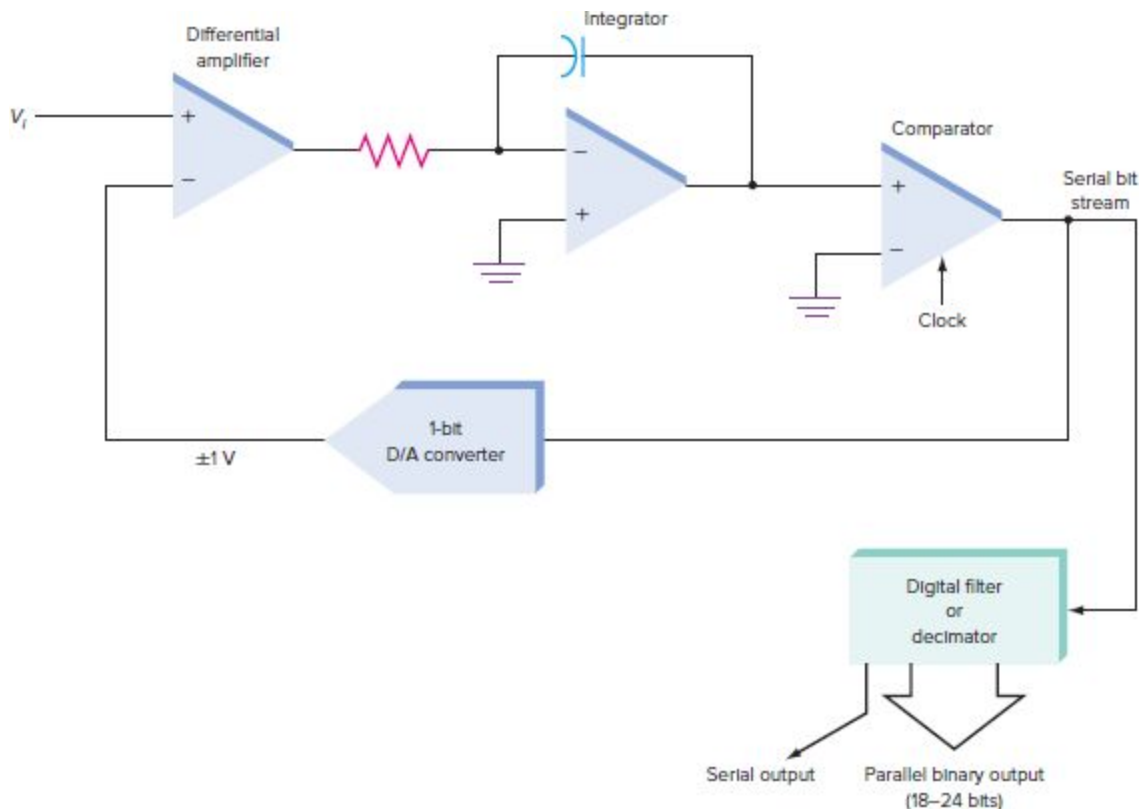
Oversampling converter

The $\Sigma\Delta$ converter is what is known as an *oversampling converter*. It uses a clock or sampling frequency that is many times the minimum Nyquist rate required for other types of converters. Conversion rates are typically 64 to 128 times or more the highest frequency in the analog input signal. For example, assume a music signal with harmonics up to 24 kHz. A successive-approximations converter would have to sample this at a rate of two or more times (more than 48 kHz) to avoid aliasing and loss of data. A $\Sigma\Delta$ converter would use a clock or sampling rate in the 1.5- to 3-MHz range. Sampling rates of several hundred times the highest input signal have been used. The reason for this is that the quantizing noise is reduced by a factor equal to the square root of the oversampling ratio. The higher the sampling frequency, the lower the noise and as a result the wider the dynamic range. The oversampling techniques used in the sigma-delta converter essentially translate the

noise to a higher frequency that can be easily filtered out by a low-pass filter. With a lower noise level, lower input levels can be converted, giving the converter extra dynamic range. Remember, the dynamic range is the difference between the lowest and the highest signal voltage levels that the converter can resolve, expressed in decibels. Of course, the other benefit of this technique is that aliasing is no longer a big problem. Often only a simple RC low-pass filter is needed to provide adequate protection from aliasing effects.

Fig. 7-27 shows the basic $\Sigma\Delta$ circuit. The input is page 223 applied to a differential amplifier that subtracts the output voltage of a 1-bit D/A converter from the input signal. This D/A converter is driven by the comparator output. If the output is a binary 1, the D/A converter outputs $+1V$. If the comparator output is binary 0, the D/A converter outputs a $-1V$. This sets the input voltage range to $+1V$.

Figure 7-27 A sigma-delta ($\Sigma\Delta$) converter.



The output of the differential amplifier is averaged in an integrator. The integrator output is compared to ground (0 V) in the comparator. The comparator is clocked by an external clock oscillator so that the comparator produces one output bit decision for each clock cycle. The resulting bit stream of binary 0s and 1s represents the varying analog input signal. This serial bit stream is fed to a digital filter or decimator that produces the final binary output word.

As the input signal is applied, the $\Sigma\Delta$ converter produces a serial bit stream output that represents the average value of the input. The closed-loop circuit causes the input signal to be compared to the D/A converter output every clock cycle, resulting in a comparator decision that may or may not change the bit value or the D/A converter output. If the input signal is increasing, the D/A converter will continually output binary 1s so that the average in the integrator increases. If the input signal decreases, the comparator switches to binary 0, forcing the D/A converter output to $-1V$.

What happens is that the D/A converter output, averaged over many cycles, produces an output that equals the input voltage. The closed loop continually tries to force the differential amplifier output to zero.

To clarify, consider the D/A converter output that switches between $+1$ and -1 . If the output is all binary 1s or $+1$ pulses, the average value at the D/A converter output is just $+1$. If the D/A converter input is all binary 0s, then a series of -1 pulses occurs, making the output average -1 over many cycles. Now assume that the D/A converter input is a series of alternating binary 0s and 1s. The D/A converter output is $+1$ for one cycle and -1 for the next cycle. The average over time is zero. Now you can see that with more binary 1s at the D/A converter input, the average output will rise above zero. With a stream of more binary 0s, the average will become negative. The density of the 0s or 1s determines the average output value over time. The output of the comparator, then, is a bit stream that represents the average of the input value. It is a continuous nonbinary output.

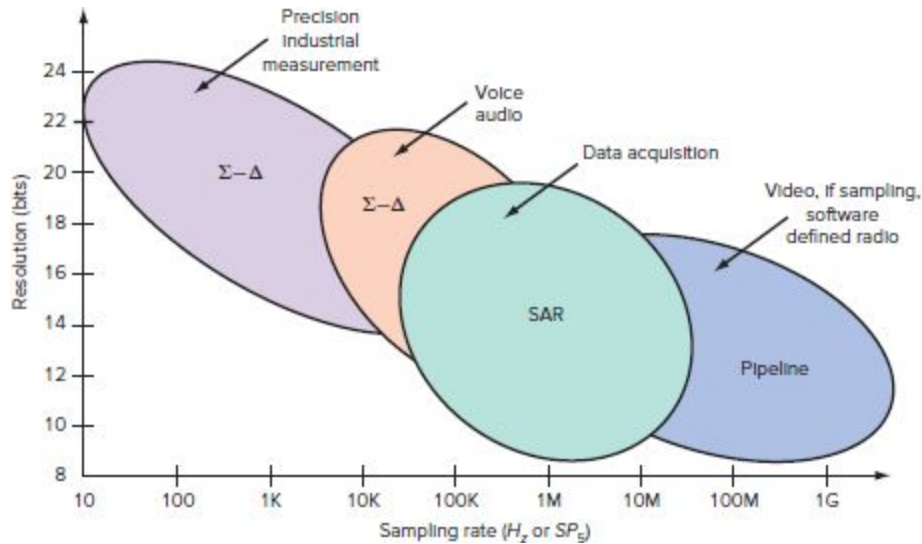
This serial bit stream is not very useful as is. [page 224](#)
Therefore, it is passed through a digital filter called a *decimator*. This filter uses DSP techniques that are beyond the scope of this book. But the overall effect of the filter is to digitally average the serial bit stream and to produce multibit sequential output words that are in effect a rolling average of the input. The filter or decimator produces binary outputs at some fraction of the clock rate. The overall result is as if the input signal were sampled at a much lower rate but with a very high-resolution converter. The true binary output words may be in serial or parallel form.

Decimator

ADC Summary. Fig. 7-28 shows the spectrum of ADCs available today. Speed and resolution specifications are

estimated over a wide range for each of the major types.

Figure 7-28 Resolution and sampling rate for the most commonly used ADCs.



7-4 Pulse Modulation

Pulse modulation is the process of changing a binary pulse signal to represent the information to be transmitted. The primary benefits of transmitting information by binary techniques arise from the great noise tolerance and the ability to regenerate the degraded signal. Any noise that gets added to the binary signal along the way is usually clipped off. Further, any distortion of the signal can be eliminated by reshaping the signal with a Schmitt trigger, comparator, or similar circuit. If information can be transmitted on a carrier consisting of binary pulses, these aspects of binary techniques can be used to improve the quality of communications. Pulse modulation techniques were developed to take advantage of these qualities. The information signal, usually analog, is used to modify a binary (on/off) or pulsed carrier in some way.

Pulse modulation

With pulse modulation the carrier is not transmitted continuously but in short bursts whose duration and amplitude correspond to the modulation. The duty cycle of the carrier is usually made short so that the carrier is off for a longer time than the bursts. This arrangement allows the *average* carrier power to remain low, even when high peak powers are involved. For a given average power, the peak power pulses can travel a longer distance and more effectively overcome any noise in the system.

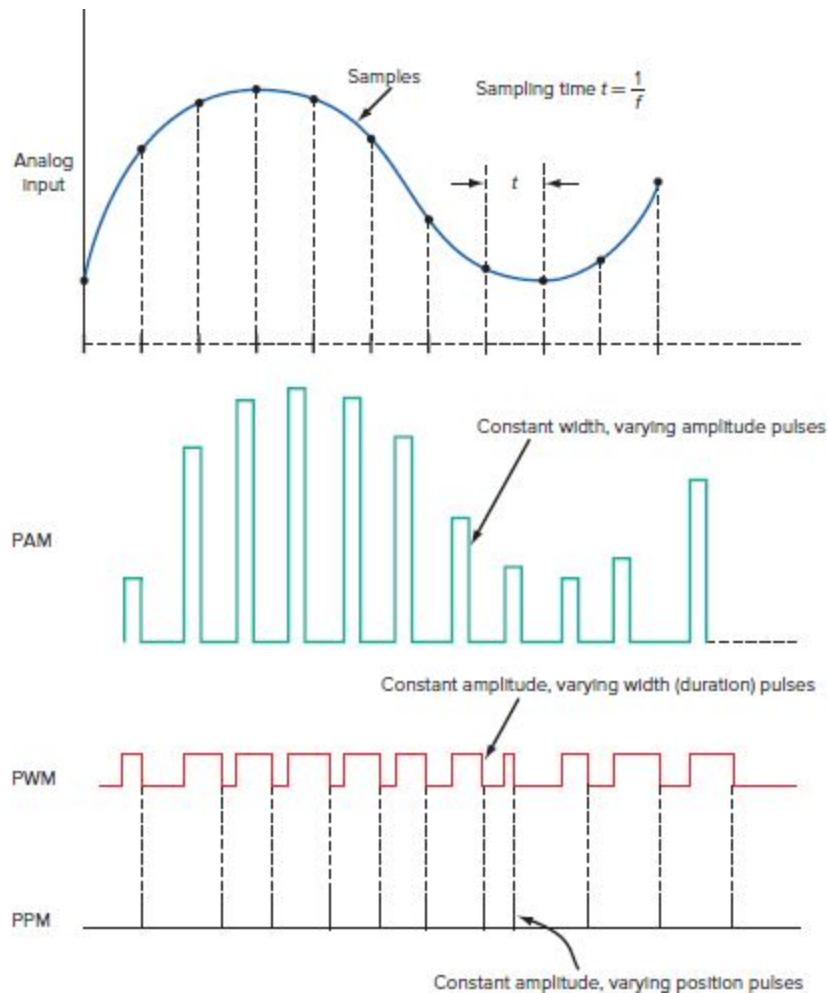
Pulse-amplitude modulation (PAM)

There are four basic forms of pulse modulation: page 225
Pulse-amplitude modulation (PAM), pulse-width modulation (PWM), pulse-position modulation (PPM), and pulse-code modulation (PCM).

Comparing Pulse-Modulation Methods

Fig. 7-29 shows an analog modulating signal and the various waveforms produced by PAM, PWM, and PPM modulators. In all three cases, the analog signal is sampled, as it would be in A/D conversion. The sampling points are shown on the analog waveform. The sampling time interval t is constant and subject to the Nyquist conditions described earlier. The sampling rate of the analog signal must be at least two times the highest frequency component of the analog wave.

Figure 7-29 Types of pulse modulation.



The PAM signal in Fig. 7-29 is a series of constant-width pulses whose amplitudes vary in accordance with the analog signal. The pulses are usually narrow compared to the period of sampling; this means that the duty cycle is low. The PWM signal is binary in amplitude (has only two levels). The width or duration of the pulses varies according to the amplitude of the analog signal: At low analog voltages, the pulses are narrow; at the higher amplitudes, the pulses get wider. In PPM, the pulses change position according to the amplitude of the analog signal. The pulses are very narrow. These pulse signals may be transmitted in a baseband form, but in most applications they modulate a high-frequency radio carrier. They turn the carrier on and off in accordance with their shape.

Of the four types of pulse modulation, PAM is the page 226 simplest and least expensive to implement. On the other hand, because the pulses vary in amplitude, they are far more susceptible to noise, and clipping techniques to eliminate noise cannot be used because they would also remove the modulation. PWM and PPM are binary and therefore clipping can be used to reduce the noise level.

Although the techniques of pulse modulation have been known for decades, they are no longer widely used. Of the three types, PWM is the most common. One example is for remote-control purposes, e.g., in model airplanes, boats, and cars. Pulse-width modulation (PWM) methods are also used in switch mode power supplies (dc-dc convertors, regulators, etc.), motor speed control, as well as in class D audio switching power amplifiers.

Today pulse-modulation techniques have been largely superseded by more advanced digital techniques such as pulse-code modulation, in which actual binary numbers representing the digital data are transmitted.

Pulse-Code Modulation

The most widely used technique for digitizing information signals for electronic data transmission is *pulse-code modulation (PCM)*. PCM signals are serial digital data. There are two ways to generate them. The more common is to use an S/H circuit and traditional A/D converter to sample and convert the analog signal to a sequence of binary words, convert the parallel binary words to serial form, and transmit the data serially, 1 bit at a time. The second way is to use the delta modulator described earlier.

Pulse-code modulation (PAM)

Traditional PCM. In traditional PCM, the analog signal is sampled and converted to a sequence of parallel binary

words by an A/D converter. The parallel binary output word is converted to a serial signal by a shift register (see Fig. 7-30). Each time a sample is taken, an 8-bit word is generated by the A/D converter. This word must be transmitted serially before another sample is taken and another binary word is generated. The clock and start conversion signals are synchronized so that the resulting output signal is a continuous train of binary words.

Figure 7-30 Basic PCM system.

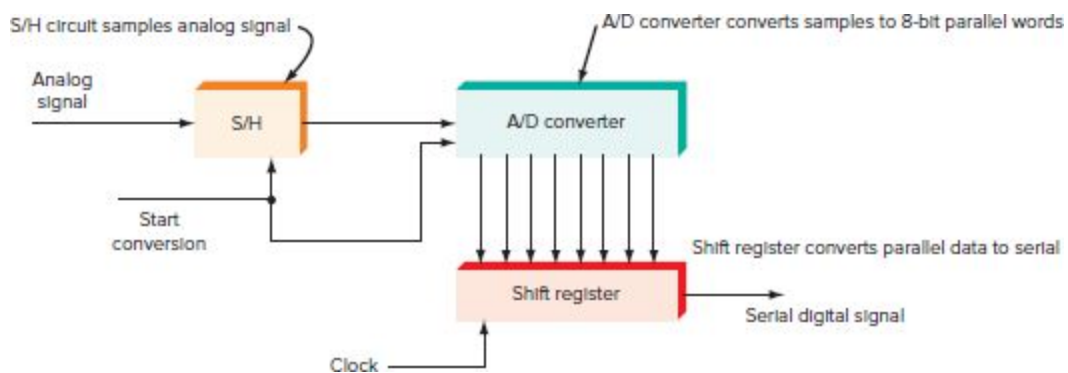
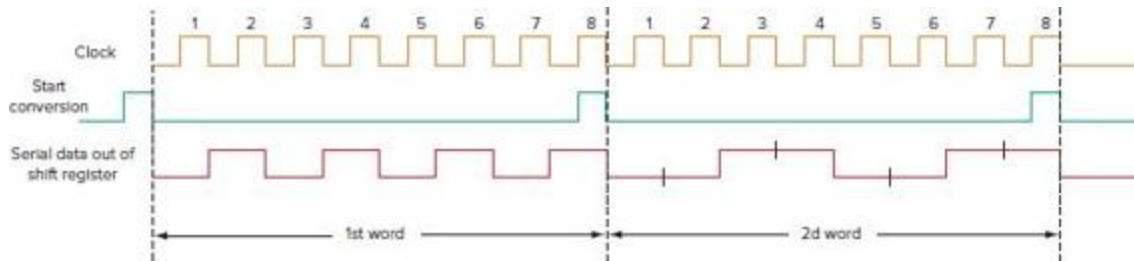


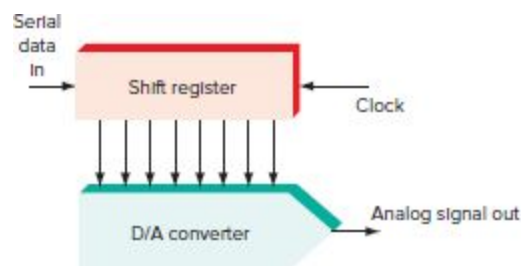
Fig. 7-31 shows the timing signals. The start conversion signal triggers the S/H to hold the sampled value and starts the A/D converter. Once the conversion is complete, the parallel word from the A/D converter is transferred to the shift register. The clock pulses start shifting the data out 1 bit at a time. When one 8-bit word has been transmitted, another conversion is initiated and the next word is transmitted. In Fig. 7-31, the first word sent is 01010101; the second word is 00110011.

Figure 7-31 Timing signals for PCM.



At the receiving end of the system, the serial data is shifted into a shift register (see Fig. 7-32). The clock signal is derived from the data to ensure exact synchronization with the transmitted data. (The process of clock recovery is discussed in Chap. 11.) Once one 8-bit word is in the register, the D/A converter converts it to a proportional analog output. Thus the analog signal is reconstructed one sample at a time as each binary word representing a sample is converted to the corresponding analog value. The D/A converter output is a stepped approximation of the original signal. This signal may be passed through a low-pass filter to smooth out the steps.

Figure 7-32 PCM to analog translation at the receiver.



Companding. *Companding* is a process of signal page 227 compression and expansion that is used to overcome problems of distortion and noise in the transmission of audio signals.

Companding

The range of voice amplitude levels in the telephone system is approximately 1000 : 1. In other words, the

largest-amplitude voice peak is approximately 1000 times the smallest voice signal or 1000 : 1, representing a 60-dB range. If a quantizer with 1000 increments were used, very high-quality analog signal representation would be achieved. For example, an A/D converter with a 10-bit word can represent 1024 individual levels. A 10-bit A/D converter would provide excellent signal representation. If the maximum peak audio voltage were 1 V, the smallest voltage increment would be 1/1023 of this, or 0.9775 mV.

As it turns out, it is not necessary to use that many quantizing levels for voice, and in most practical PCM systems, a 7- or 8-bit A/D converter is used for quantizing. One popular format is to use an 8-bit code, where 7 bits represents 128 amplitude levels and the eighth bit designates polarity (0 = +, 1 = -). Overall, this provides 255 levels; one-half are positive, and one-half negative.

Although the analog voltage range of the typical voice signal is approximately 1000 : 1, lower-level signals predominate. Most conversations take place at a low level, and the human ear is most sensitive in the low-amplitude range. Thus the upper end of the quantizing scale is not often used.

Since most signals are low-level, quantizing error is relatively large. That is, small increments of quantization become a large percentage of the lower-level signal. This is a small amount of the peak amplitude value, of course, but this fact is irrelevant when the signals are low in amplitude. The increased quantizing error can produce garbled or distorted sound.

GOOD TO KNOW

The most widely used technique for digitizing information signals for electronic data transmission is pulse-code modulation (PCM).

In addition to their potential for increasing quantizing error, low-level signals are susceptible to noise. Noise represents random spikes or voltage impulses added to the signal. The result is static that interferes with the low-level signals and makes intelligibility difficult.

Comanding is the most common means of page 228 overcoming the problems of quantizing error and noise. At the transmitting end of the system, the voice signal to be transmitted is compressed; i.e., its dynamic range is decreased. The lower-level signals are emphasized, and the higher-level signals are de-emphasized.

At the receiving end, the recovered signal is fed to an expander circuit that does the opposite, de-emphasizing the lower-level signals and emphasizing the higher-level signals, thereby returning the transmitted signal to its original condition. Comanding greatly improves the quality of the transmitted signal.

7-5 Digital Signal Processing

As previous chapters have emphasized, communication involves a great deal of signal processing. To carry out communication, analog signals must be processed in some way; e.g., they may be amplified or attenuated. Often they must be filtered to remove undesirable frequency components. They must be shifted in phase and modulated or demodulated. Or they may have to be mixed, compared, or analyzed to determine their frequency components. Thousands of circuits have been devised to process analog signals, and many have been described in this book.

Although analog signals are still widely processed by analog circuits, increasingly they are being converted to digital for transmission and processing. As described earlier in this chapter, there are several important advantages to

transmitting and using data in digital form. One advantage is that signals can now be manipulated by *digital signal processing (DSP)*.

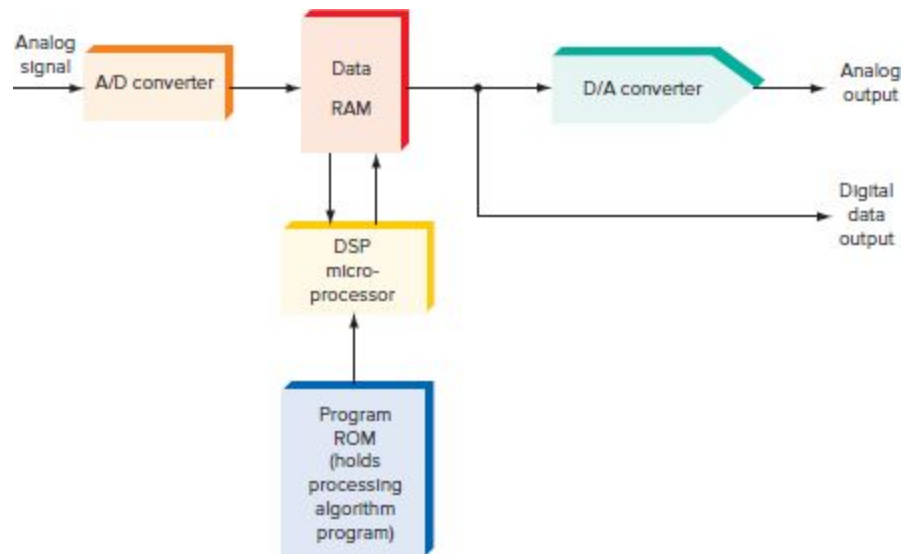
Digital signal processing (DSP)

The Basics of DSP

DSP is the use of a fast digital computer or digital circuitry to perform processing on digital signals. Any digital computer with sufficient speed and memory can be used for DSP. The superfast 32-bit and 64-bit *reduced-instruction-set computing (RISC)* processors are especially adept at DSP. However, DSP is also implemented with processors developed specifically for this application because they differ in organization and operation from traditional microprocessors.

The basic DSP technique is shown in Fig. 7-33. An analog signal to be processed is fed to an A/D converter, where it is converted to a sequence of binary numbers which are stored in a read/write random-access memory (RAM). (See Fig. 7-34.) A program, usually stored in a read-only memory (ROM), performs mathematical and other manipulations on the data. Most digital processing involves complex mathematical algorithms. If a process can be expressed mathematically, it can be implemented with DSP.

Figure 7-33 Concept of digital signal processing. Not the separate data and program memories that designate the Harvard architecture of a DSP.



A key requirement of DSP is that the processing page 229 take place between the clock pulses that initiate the sampling. That is, the algorithms must be executed in real time; i.e., the output is produced simultaneously with the occurrence of the input. With real-time processing, the processor must be extremely fast so that it can perform all the computations on the samples before the next sample comes along.

The processing results in another set of data words that may or may not be stored in RAM. They can then be used or transmitted in digital form, or they may be fed to a D/A converter where they are converted back to an analog signal. The output analog signal then looks as though it has undergone processing by an equivalent analog circuit.

Almost any processing operation that can be done with analog circuits can also be done with DSP. Mathematical operations take place to change the sampled signal in some useful way. The most common operations are filtering, equalization, companding, phase shifting, mixing, signal generation, modulation, and demodulation.

DSP Processors

When DSP was first developed during the 1960s, only the largest and fastest mainframe computers were able to handle it, and even then, in some applications real-time processing could not be achieved. As computers got faster, more sophisticated processing could be performed, and in real time.

With the appearance of fast 16- and 32-bit microprocessors, the use of DSP became practical for many applications, and finally in the 1980s special microprocessors optimized for DSP were developed. DSP is also widely implemented by dedicated digital logic circuits or in an FPGA. The FPGA is relatively easy to program. It can be reprogrammed as needed to fix problems or add enhancements. The FPGA is also very fast; therefore, it can handle real-time processing at high sampling rates.

Most computers and microprocessors use an organization known as the Von Neumann architecture. Physicist John Von Neumann is generally credited with creating the stored program concept that is the basis of operation of all digital computers. Binary words representing computer instructions are stored sequentially in a memory to form a program. The instructions are fetched and executed one at a time at high speed. The program usually processes data in the form of binary numbers that are stored in the same memory. The key feature of the Von Neumann arrangement is that both instructions and data are stored in a common memory space. That memory space may be read/write RAM or ROM or some combination thereof. But the important point is that there is only one path between the memory and the CPU, and therefore only one data or instruction word can be accessed at a time. This has the effect of greatly limiting execution speed. This shortcoming is generally referred to as the *Von Neumann bottleneck*.

Von Neumann bottleneck

DSP microprocessors work in a similar way, but they use a variation called the *Harvard architecture*. In a Harvard architecture microprocessor, there are two memories, a program or instruction memory, usually a ROM, and a data memory, which is a RAM. Also, there are two data paths into and out of the CPU between the memories. Because both instructions and data can be accessed simultaneously, very high-speed operation is possible.

Harvard architecture

GOOD TO KNOW

DSP microprocessors are designed to operate at the highest speeds possible. Speeds up to 4 GHz are not uncommon.

DSP microprocessors are designed to perform the math operations common to DSP. Much of DSP is a combination of multiplication and addition or accumulation operations on the data words developed by the A/D converter and stored in RAM. DSP processors carry out addition and multiplication faster than any other type of CPU, and most combine these operations in a single instruction for even greater speed. DSP CPUs contain two or more *multiply and accumulate (MAC)* processors.

DSP microprocessors are designed to operate at the highest speeds possible. Clock rates as high as 2 GHz are now being used. Some DSP processors are available as just the CPU chip, but others combine the CPU with data RAM and a program ROM on chip. Some even include the A/D and D/A converter circuits. If the desired processing program is written and stored in ROM, a complete single-chip DSP circuit can be created for customized analog signal processing by digital techniques. Many conventional embedded (core) processors now have special DSP instructions such as the MAC operation built in. Prominent

vendors of DSP ICs include Analog Devices, ARM, Microchip Technology, NXP, and Texas Instruments.

Finally, many DSP circuits are embedded or dedicated. Instead of being programmed in a general-purpose DSP, they are made of logic hardwired to perform only the desired filtering or other function. Some DSP operations are carried out in circuits dedicated to a specific product such as a smartphone. DSP may also be embedded in an application-specific integrated circuit (ASIC) in proprietary products. *FPGAs* are widely favored to implement custom DSP.

DSP Applications

Filtering. The most common DSP application is *filtering*. A DSP processor can be programmed to perform bandpass, low-pass, high-pass, and band-reject filter operations. With DSP, the filters can have characteristics far superior to those of equivalent analog filters: Selectivity can be better, and the passband or reject band can be customized to the application. Further, the phase response of the filter can be controlled more easily than with analog filters.

Filtering

Compression. Data *compression* is a process that reduces the number of binary words needed to represent a given analog signal. It is often necessary to convert a video analog signal to digital for storage and processing. Digitizing a video signal with an A/D converter produces an immense amount of binary data. If the video signal contains frequencies up to 10 MHz, the A/D converter must sample faster than 20 MHz. Assuming a sampling rate of 20 MHz with an 8-bit A/D converter, 20 Mbytes/s will be produced. Digitizing 1 min of video is equal to $60\text{ s} \times 20$ Mbytes, or 1200 Mbytes or 1.2 Gbytes of data. This amount of data requires

a massive amount of RAM, although a hard disk could store this data. In terms of data communication, it would take a great deal of time to transmit this amount of data serially.

Compression

To solve this problem, the data is compressed. page 231 Numerous algorithms have been developed to compress data. Examples are MPEG-2, MPEG-4, and H.264, widely used in digital photography and video. The data is examined for redundancy and other characteristics, and a new group of data, based upon various mathematical operations, is created. Data can be compressed by a factor of up to 100; in other words, the compressed data is 1/100 its original size. With compression, 1200 Mbytes of data becomes 1.2 Mbytes. This is still a lot, but it is now within the capabilities of standard RAM and disk storage components. Audio data is also compressed. An example is MP3, the algorithm used in portable music players. Compression is also widely used in cell phones for voice minimization storage and transmit time.

A DSP chip does the compression on the data received from the A/D converter. The compressed version of the data is then stored or transmitted. In the case of data communication, compression greatly reduces the time needed to transmit data.

When the data is needed, it must be decompressed. A reverse-calculation DSP algorithm is used to reconstruct the original data. Again, a special DSP circuit is used for this purpose.

Spectrum Analysis. *Spectrum analysis* is the process of examining a signal to determine its frequency content. Recall that all nonsinusoidal signals are a combination of a fundamental sine wave to which have been added harmonic sine waves of different frequency, amplitude, and phase. An algorithm known as the *discrete Fourier transform (DFT)* can

be used in a DSP processor or FPGA to analyze the frequency content of an input signal. The analog input signal is converted to a block of digital data, which is then processed by the DFT program. The result is a frequency-domain output that indicates the content of the signal in terms of sine wave frequencies, amplitudes, and phases.

Spectrum analysis

Discrete Fourier transform (DFT)

The DFT is a complex program that is long and time-consuming to run. In general, DSPs are not fast enough to perform DFT in real time as the signal occurs. Therefore, a special version of the algorithm has been developed to speed up the calculation. Known as the *fast Fourier transform (FFT)*, it permits real-time signal spectrum analysis.

Fast Fourier transform (FFT)

Other Applications. As mentioned, DSP can do almost everything analog circuits can do, e.g., phase shifting, equalization, and signal averaging.

DSP can also be used for signal synthesis. Waveforms of any shape or characteristics can be stored as digital bit patterns in a memory. Then when it is necessary to generate a signal with a specific shape, the bit pattern is called up and transmitted to the DAC, which generates the analog version. This type of technique is used in voice and music synthesis. Speech recognition such as that used by Apple's Siri and Amazon's Alexa is implemented with DSP.

Equalization can also be implemented in DSP. Equalization is the process of compensating for signal distortion that occurs along a long transmission path such as a long cable. Cables attenuate and distort signals often making the signals unusable at the receiver end. Equalization can be used to predistort the signal at the transmitter in such a

way that it appears normal at the receive end after being subjected to the cable effects.

Modulation, mixing like downward frequency translation, and demodulation are also easy to implement in DSP.

DSP is widely used in CD players, modems, all cell phones, and a variety of other common electronic products. Its use in communication is increasing as DSP processors become even faster. Some fast DSP processors are used to perform most of the normal communication receiver functions. Such *software-defined radios (SDRs)* are very common. See Chap. 12.

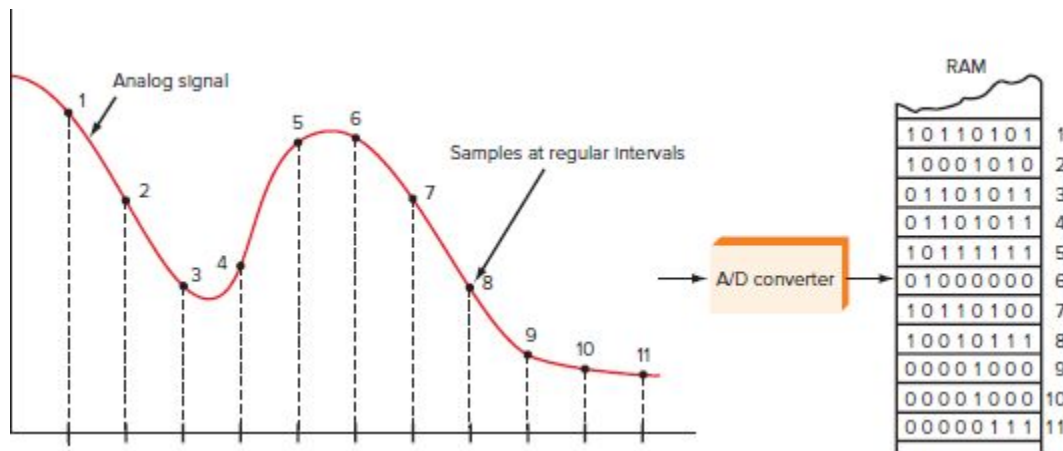
Software-defined radios (SDRs)

How DSP Works

page 232

The advanced mathematical techniques used in DSP are beyond the scope of this book and certainly beyond the knowledge required of electronics engineers and technicians in their jobs. For the most part, it is sufficient to know that the techniques exist. However, without getting bogged down in the math, it is possible to give some insight into the workings of a DSP circuit. For example, it is relatively easy to visualize the digitizing of an analog signal into a block of sequential binary words representing the amplitudes of the samples, and then to imagine that the binary words representing the analog signal are stored in a RAM (see Fig. 7-34). Once the signal is in digital form, it can be processed in many different ways. Two common applications are filtering and spectrum analysis.

Figure 7-34 Converting the analog signal to binary data in RAM to be operated upon by the DSP processor.



Filter Applications. One of the most popular DSP filters is called a *finite impulse response (FIR) filter*. It is also called a *nonrecursive filter*. (A nonrecursive filter is one whose output is only a function of the sum of products of the current input samples.) A program can be written to create a low-pass, high-pass, bandpass, or band-reject filter of the FIR type. The algorithm of such a filter has the mathematical form $Y = \sum x_i h_i$. In this expression, Y is the binary output, which is the summation (Σ) of the products of a and b . The terms x_n represent the binary samples, and n is the number of the sample. Usually these samples are multiplied by h_n coefficients appropriate to the type of filter, and the results summed.

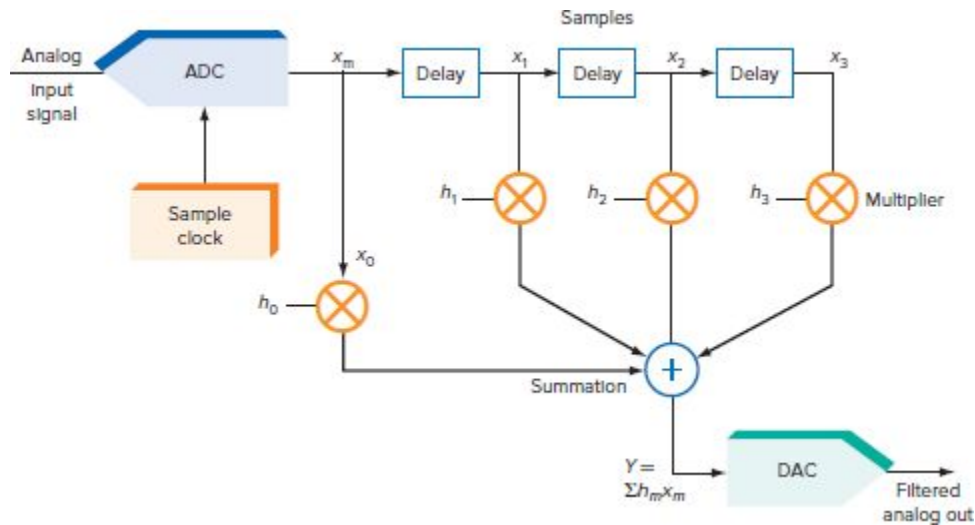
Finite impulse response (FIR) filter or nonrecursive filter

Fig. 7-35 is a graphical representation of what goes on inside the filter. The term $X(n)$, where n is the number of the sample, represents the input data samples from RAM. The boxes labeled Delay represent delay lines. (A *delay line* is a circuit that delays a signal or sample by some constant time interval.) In reality, nothing is being delayed. Rather, the circuit generates samples that occur one after another at a fixed time interval equal to the sampling time, which is a function of the A/D converter clock frequency. In effect, the outputs of the delay boxes in Fig. 7-35 are the sequential

samples that occur one after another at the sampling rate that is equivalent to a series of delays.

Delay line

Figure 7-35 A block diagram showing the processing algorithm of a nonrecursive FIR filter.



Note that the samples are multiplied by some constant represented by the term h_n . These constants, or coefficients, are determined by the algorithm and the type of filter desired. After the samples have been multiplied by the appropriate coefficient, they are summed. The first two samples are added, this sum is added to the next-multiplied sample, that sum is added to the next sample, and so on. The result is the output Y , which is a value made up of the sum of products of the other samples. The DSP solves the equation: $y(n) = h_0x_0 + h_1x_1 + h_2x_2 + \dots$. The x samples come from the A/D converter. The h values are constants or coefficients that define the function (filtering in this case) to be performed. The greater the number of delays also called taps the better the selectivity. Designing DSP software is essentially figuring out what the constants should be. These new data samples are also stored in RAM. This block of new data is sent to the D/A converter at whose output the

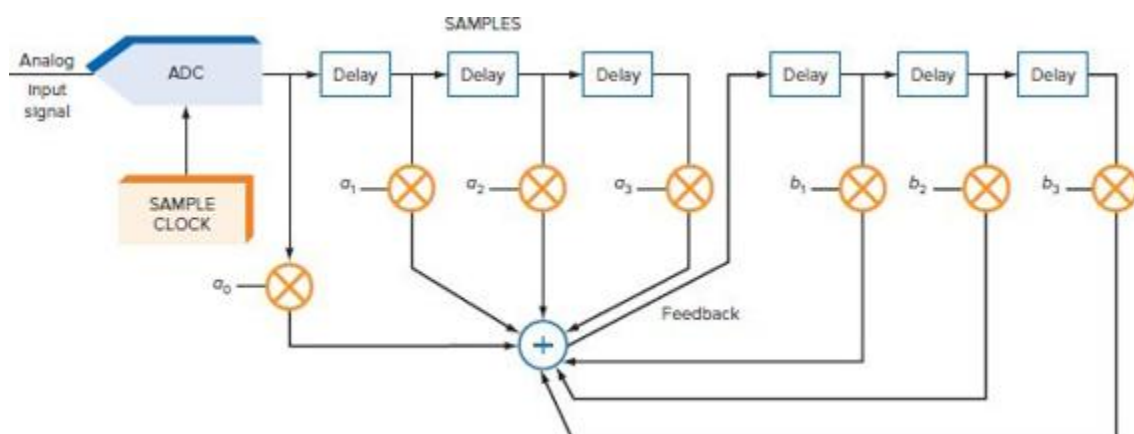
filtered analog signal appears. *Signal averaging* is the process of sampling a recurring analog signal which is transmitted in the presence of noise. If the signal is repeatedly converted to digital and the mathematical average of the samples is taken, the signal-to-noise ratio is greatly improved. Since the noise is random, an average of it tends to be zero. The signal, which is constant and unchanging, averages into a noise-free version of itself. The FIR filter described later can be used as a running average filter.

Signal averaging

Another type of DSP filter is the *infinite impulse response (IIR) filter*, a recursive filter that uses feedback: Each new output sample is calculated by using both the current output and past samples (inputs). Fig. 7-36 shows the process. Note that some of the summed samples are feedback for further processing that adds to the composite output.

Infinite impulse response (IIR) filter

Figure 7-36 An IIR filter.



The benefit of the IIR filter is that it can achieve greater selectivity with fewer taps than the FIR filter. A downside is

that the IIR filter has a nonlinear phase response that could distort some types of signals.

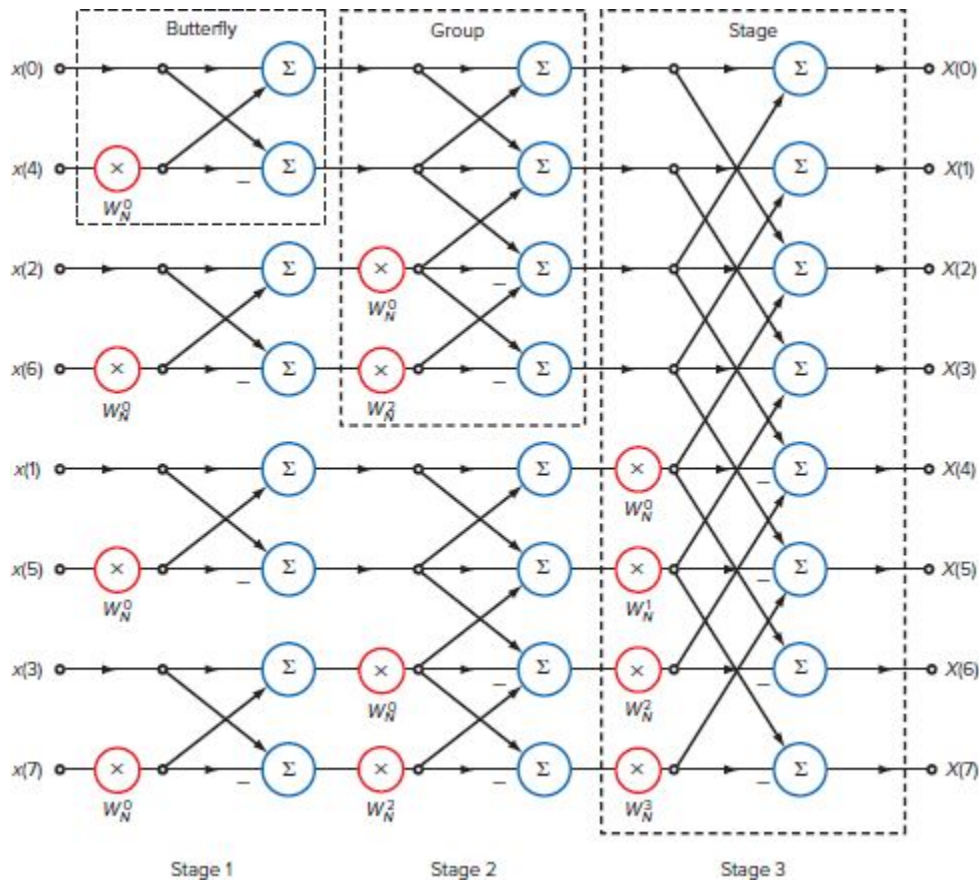
DIT/FFT. As indicated earlier, a DSP processor can perform spectrum analysis by using the discrete or FFT. Fig. 7-37 illustrates the processing that takes place with FFT. It is called a *decimation in time (DIT)*. The $x(n)$ values at the input are the samples, which are processed in three stages. In the first stage, a so-called butterfly operation is performed on pairs of samples. Some of the samples are multiplied by a constant and then added. At the second stage, some of the outputs are multiplied by constants, and new pairs of sums, called *groups*, are formed. Then a similar process is performed to create the final outputs, called *stages*. These outputs are converted to new values that can be plotted in the frequency domain.

Decimation in time (DIT)

Group

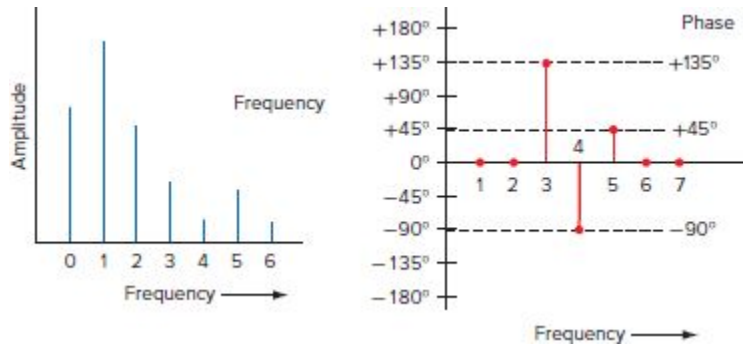
Stage

Figure 7-37 The FFT decimation in time.



In the graph in Fig. 7-38, the horizontal axis in the left-hand plot is frequency, and the vertical axis is the amplitude of the dc and ac sine wave components that make up the sampled wave. A 0 frequency component is represented by a vertical line indicating the dc component of a signal. The 1 indicates the amplitude of the fundamental sine wave making up the signal. The other values, at 2, 3, 4, and so on, are the amplitudes of the harmonics. In the right-hand plot, the phase angle of the sine waves is given for each harmonic. A negative value indicates phase inversion of the sine wave (180°). Most modern digital oscilloscopes have a built-in FFT function that analyzes an input and generates a frequency domain display like that of a spectrum analyzer. It is a useful design and troubleshooting feature.

Figure 7-38 Output plot of an FFT spectrum analysis.



CHAPTER REVIEW

Online Activity

7-1 Exploring DSP

Objective: Delve deeper into the processes of DSP.

Procedure:

1. Do an online search with Google, Yahoo, Bing, or other search engine on the DSP processes for filtering, modulation, and signal generation.
2. Do a library, bookstore, or other search for textbooks on DSP.
3. Focus on and answer the questions below.

Questions:

1. How is an IIR filter different from a FIR filter?
2. In what application would an IIR filter be more appropriate to use than a FIR filter?
3. What is equalization, and how is it implemented in DSP?
4. Explain how to generate a sine wave signal using DSP techniques.

5. What is the algorithm for performing amplitude modulation in DSP? AM demodulation?
6. What is one algorithm for performing frequency modulation in DSP?

Questions

1. Name the four primary benefits of using digital techniques in communication. Which of these is probably the most important?
2. What is data conversion? Name two basic types.
3. What is the name given to the process of measuring the value of an analog signal at some point in time?
4. What is the name given to the process of assigning a specific binary number to an instantaneous value on an analog signal?
5. What is another name commonly used for A/D conversion?
6. Describe the nature of the signals and information obtained when an analog signal is converted to digital form.
7. Describe the nature of the output waveform obtained from a D/A converter.
8. Name the four major components in a D/A converter.
9. Define aliasing and explain its effect in an A/D converter.
10. What types of circuits are commonly used to translate the current output from a D/A converter to a voltage output?
11. Name three types of A/D converters, and state which is the most widely used.
12. What A/D converter circuit sequentially turns the bits of the output on one at a time in sequence from MSB to LSB in seeking a voltage level equal to the input voltage level?

- 13.** What is the fastest type of A/D converter? Briefly describe the method of conversion used.
- 14.** Define oversampling and undersampling.
- 15.** What circuit is normally used to perform serial-to-parallel and parallel-to-serial data conversion? What is the abbreviation for this process?
- 16.** What circuit performs the sampling operation prior to A/D conversion, and why is it so important?
- 17.** Where are sigma-delta converters used? Why?
- 18.** Undersampling produces an aliasing effect that is equivalent to what analog signal process?
- 19.** What is the name given to the process of compressing the dynamic range of an analog signal at the transmitter and expanding it later at the receiver?
- 20.** What is the maximum resolution (in bits) for an ADC. What type of ADC provides that?
- 21.** Name the three basic types of pulse modulation. Which type is not binary?
- 22.** Name the DAC that produces a voltage output.
- 23.** What type of DAC is used for very high-speed conversions?
- 24.** True or false? ADC outputs or DAC inputs may be either parallel or serial.
- 25.** What type of ADC is faster than a successive-approximations converter but slower than a flash converter?
- 26.** Which type of ADC gives the best resolution?
- 27.** Why are capacitor D/A converters preferred over R - $2R$ D/A converters?
- 28.** What does oversampling mean? What converter uses this technique? Why is it used?
- 29.** How is aliasing prevented?
- 30.** Name two common noncommunication applications for PWM.
- 31.** Describe briefly the techniques known as digital signal processing (DSP).

32. What types of circuits perform DSP?
33. Briefly describe the basic mathematical process used in the implementation of DSP.
34. Give the names for the basic architecture of non-DSP microprocessors and for the architecture normally used in DSP microprocessors. Briefly describe the difference between the two.
35. Name five common processing operations that take place with DSP. What is probably the most commonly implemented DSP application? page 236
36. Briefly describe the nature of the output of a DSP processor that performs the discrete Fourier transform or the fast Fourier transform.
37. Name the two types of filters implemented with DSP and explain how they differ.
38. What useful function is performed by an FFT computation?

Problems

1. A video signal contains light variations that change at a frequency as high as 3.5 MHz. What is the minimum sampling frequency for A/D conversion? ◆
2. A D/A converter has a 12-bit binary input. The output analog voltage range is 0 to 5 V. How many discrete output voltage increments are there and what is the smallest voltage increment?
3. Compute the alias created by sampling a 5-kHz signal at 8 kHz. ◆
4. Calculate the quantizing noise on a 14-bit A/D converter with a voltage range up to 3 V.
5. What is the SINAD for a 15-bit ADC? ◆
6. Calculate the ENOB for a converter with an SINAD of 83 dB.

7. Calculate the spectrum of a 100-MHz signal with a bandwidth of 16 MHz that is sampled at 40 MHz. What is the optimum sampling rate?

◆ *Answers to Selected Problems follow Chap. 23.*

Critical Thinking

1. List three major types of communication services that are not yet digital but could eventually be, and explain how digital techniques could be applied to those applications.
2. Explain how an all-digital receiver would process the signal of an analog AM radio broadcast signal.
3. What type of A/D converter would work best for video signals with a frequency content up to 5 MHz? Why?
4. Under what conditions can serial data transfers be faster than parallel data transfers?

Radio Transmitters

A radio transmitter takes the information to be communicated and converts it to an electronic signal compatible with the communication medium. Typically this process involves carrier generation, modulation, and power amplification. The signal is then fed by wire, coaxial cable, or waveguide to an antenna that launches it into free space. This chapter covers transmitter configurations and the circuits commonly used in radio transmitters, including oscillators, amplifiers, frequency multipliers, and impedance-matching networks.

Objectives

After completing this chapter, you will be able to:

- Calculate the frequency tolerance of crystal oscillators in percent and in parts per million (ppm).
- Discuss the operation of phase-locked loop (PLL) and direct digital synthesis (DDS) frequency synthesizers, and explain how the output frequency is changed.
- Calculate the output frequency of a transmitter given the oscillator frequency and the number and types of multipliers.
- Explain the biasing and operation of class A, AB, and C power amplifiers using transistors.

- Discuss the operation and benefits of class D, E, and F switching amplifiers, and explain why they are more efficient.
- Explain the operation and benefits of feedforward, digital predistortion, Doherty, envelope tracking, and GaN power amplifiers.
- Explain the basic design of L, π , and T-type LC circuits, and discuss how they are used for impedance matching.
- Explain the use of transformers and baluns in impedance matching.

8-1 Transmitter Fundamentals

The *transmitter* is the electronic unit that accepts the information signal to be transmitted and converts it to an RF signal capable of being transmitted over long distances. Every transmitter has four basic requirements.

Transmitter

1. It must generate a carrier signal of the correct frequency at a desired point in the spectrum.
2. It must provide some form of modulation that causes the information signal to modify the carrier signal.
3. It must provide sufficient power amplification to ensure that the signal level is high enough to carry over the desired distance.
4. It must provide circuits that match the impedance of the power amplifier to that of the antenna for maximum transfer of power.

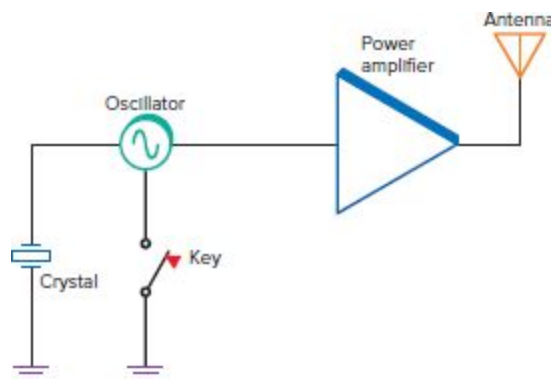
Transmitter Configurations

The simplest transmitter is a single-transistor oscillator connected directly to an antenna. The oscillator generates the carrier and can be switched off and on by a telegraph key to produce the dots and dashes of the International Morse code. Information transmitted in this way is referred to as *continuous-wave (CW) transmission*. Such a transmitter is rarely used today, for the Morse code is nearly extinct and the oscillator power is too low for reliable communication. Nowadays transmitters such as this are built only by amateur (ham) radio operators for what is called *QRP* or *low-power operation* for personal hobby communication.

Continuous-wave (CW) transmission

The CW transmitter can be greatly improved by simply adding a power amplifier to it, as illustrated in Fig. 8-1. The oscillator is still keyed off and on to produce dots and dashes, and the amplifier increases the power level of the signal. The result is a stronger signal that carries farther and produces more reliable transmission.

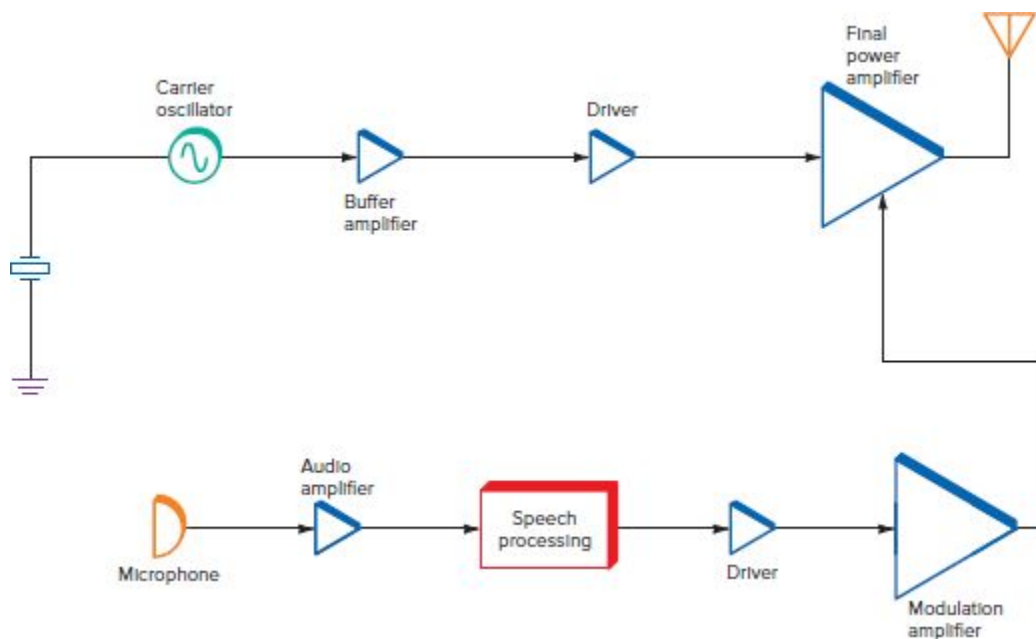
Figure 8-1 A more powerful CW transmitter.



The basic oscillator-amplifier combination shown in Fig. 8-1 is the basis for virtually all radio transmitters. Many other circuits are added depending on the type of modulation used, the power level, and other considerations.

High-Level AM Transmitters. Fig. 8-2 shows an AM transmitter using high-level modulation. An oscillator, in most applications a crystal oscillator, generates the final carrier frequency. The carrier signal is then fed to a buffer amplifier whose primary purpose is to isolate the oscillator from the remaining power amplifier stages. The buffer amplifier usually operates at the class A level and provides a modest increase in power output. The main purpose of the buffer amplifier is simply to prevent load changes in the power amplifier stages or in the antenna from causing frequency variations in the oscillator.

Figure 8-2 An AM transmitter using high-level collector modulation.



The signal from the buffer amplifier is applied to a class C driver amplifier designed to provide an intermediate level of power amplification. The purpose of this circuit is to generate sufficient output power to drive the final power amplifier stage. The *final power amplifier*, normally just referred to as *the final*, also operates at the class C level at very high power. The actual amount of power depends on

the application. For example, in a CB transmitter, the power input is only 5 W. However, AM radio stations operate at much higher powers—say, 250, 500, 1000, 5000, or 50,000 W. Cell phone base stations operate at the 30- to 40-W level.

Final power amplifier

All the RF circuits in the transmitter are usually solid-state; i.e., they are implemented with either bipolar transistors or metal-oxide semiconductor field-effect transistors (MOSFETs). Although bipolar transistors are by far the most common type, the use of MOSFETs is increasing because they are now capable of handling high power at high frequencies. Transistors are also typically used in the final as long as the power level does not exceed several hundred watts. Individual RF power transistors can handle up to about 800 W. Many of these can be connected in parallel or in push-pull configurations to increase the power-handling capability to many kilowatts. For higher power levels, vacuum tubes are still used in some transmitters, but rarely in new designs. Vacuum tubes function into the VHF and UHF ranges, with power levels of 1 kW or more.

GOOD TO KNOW

AM radio stations can operate at power levels up to 50,000 W. In contrast, the power input of a citizens band (CB) transmitter is only 5 W.

Now, assume that the AM transmitter shown in Fig. 8-2 is a voice transmitter. The input from the microphone is applied to a low-level class A audio amplifier, which boosts the small signal from the microphone to a higher voltage level. (One or more stages of amplification could be used.) The voice signal is then fed to some form of *speech-processing* (filtering and amplitude control) circuit. The filtering ensures that only voice frequencies in a certain range are passed, which helps to minimize the bandwidth

occupied by the signal. Most communication transmitters limit the voice frequency to the 300- to 3000-Hz range, which is adequate for intelligible communication. However, AM broadcast stations offer higher fidelity and allow frequencies up to 5 kHz to be used. In practice, many AM stations modulate with frequencies up to 7.5 kHz, and even 10 kHz, since the FCC uses alternate channel assignments within a given region and the outer sidebands are very weak, so no adjacent channel interference occurs.

Speech processing

Speech processors also contain a circuit used to page 240 hold the amplitude to some maximum level. High-amplitude signals are compressed and lower-amplitude signals are given more amplification. The result is that overmodulation is prevented, yet the transmitter operates as close to 100 percent modulation as possible. This reduces the possibility of signal distortion and harmonics, which produce wider sidebands that can cause adjacent channel interference, but maintains the highest possible output power in the sidebands.

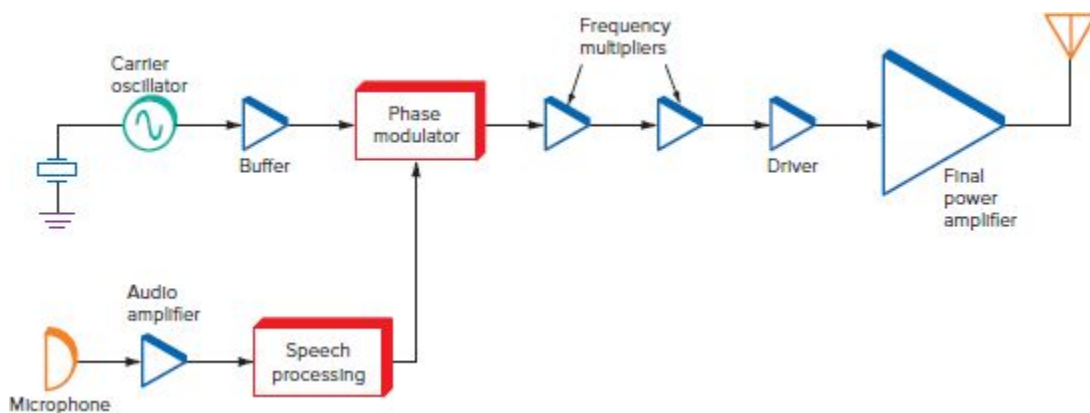
After the speech processor, a driver amplifier is used to increase the power level of the signal so that it is capable of driving the high-power modulation amplifier. In the AM transmitter of Fig. 8-2, high-level or collector modulation (plate modulation in a tube) is used. As stated previously, the power output of the modulation amplifier must be one-half the input power of the RF amplifier. The high-power modulation amplifier usually operates with a class AB or class B push-pull configuration to achieve these power levels.

Low-Level FM Transmitters. In low-level modulation, modulation is performed on the carrier at low power levels, and the signal is then amplified by power amplifiers. This arrangement works for both AM and FM. FM transmitters

using this method are far more common than low-level AM transmitters.

Fig. 8-3 shows the typical configuration for an FM or PM transmitter. The indirect method of FM generation is used. A stable crystal oscillator is used to generate the carrier signal, and a buffer amplifier is used to isolate it from the remainder of the circuitry. The carrier signal is then applied to a phase modulator such as those discussed in Chap. 6. The voice input is amplified and processed to limit the frequency range and prevent overdeviation. The output of the modulator is the desired FM signal.

Figure 8-3 A typical FM transmitter using indirect FM with a phase modulator.



Most FM transmitters are used in the VHF and page 241 UHF range. Because crystals are not available for generating those frequencies directly, the carrier is usually generated at a frequency considerably lower than the final output frequency. To achieve the desired output frequency, one or more frequency multiplier stages are used. A frequency multiplier is a class C amplifier whose output frequency is some integer multiple of the input frequency. Most frequency multipliers increase the frequency by a factor of 2, 3, 4, or 5. Because they are class C amplifiers, most frequency multipliers also provide a modest amount of power amplification.

Not only does the frequency multiplier increase the carrier frequency to the desired output frequency, but also it multiplies the frequency deviation produced by the modulator. Many frequency and phase modulators generate only a small frequency shift, much lower than the desired final deviation. The design of the transmitter must be such that the frequency multipliers will provide the correct amount of multiplication not only for the carrier frequency but also for the modulation deviation. After the frequency multiplier stage, a class C driver amplifier is used to increase the power level sufficiently to operate the final power amplifier, which also operates at the class C level.

Most FM communication transmitters operate at relatively low power levels, typically less than 100 W. All the circuits, even in the VHF and UHF range, use transistors. For power levels beyond several hundred watts, vacuum tubes must be used. The final amplifier stages in FM broadcast transmitters typically use large vacuum tube class C amplifiers. In FM transmitters operating in the microwave range, klystrons, magnetrons, and traveling-wave tubes are used to provide the final power amplification.

SSB Transmitters. A typical *single-sideband (SSB) transmitter* is shown in Fig. 8-4. An oscillator signal generates the carrier, which is then fed to the buffer amplifier. The buffer amplifier supplies the carrier input signal to the balanced modulator. The audio amplifier and speech-processing circuits described previously provide the other input to the balanced modulator. The balanced modulator output—a DSB signal—is then fed to a sideband filter that selects either the upper or lower sideband. Following this, the SSB signal is fed to a mixer circuit, which is used to convert the signal to its final operating frequency. Mixer circuits, which operate as simple amplitude modulators, are used to convert a lower frequency to a

higher one or a higher frequency to a lower one. (Mixers are discussed more fully in Chap. 9.)

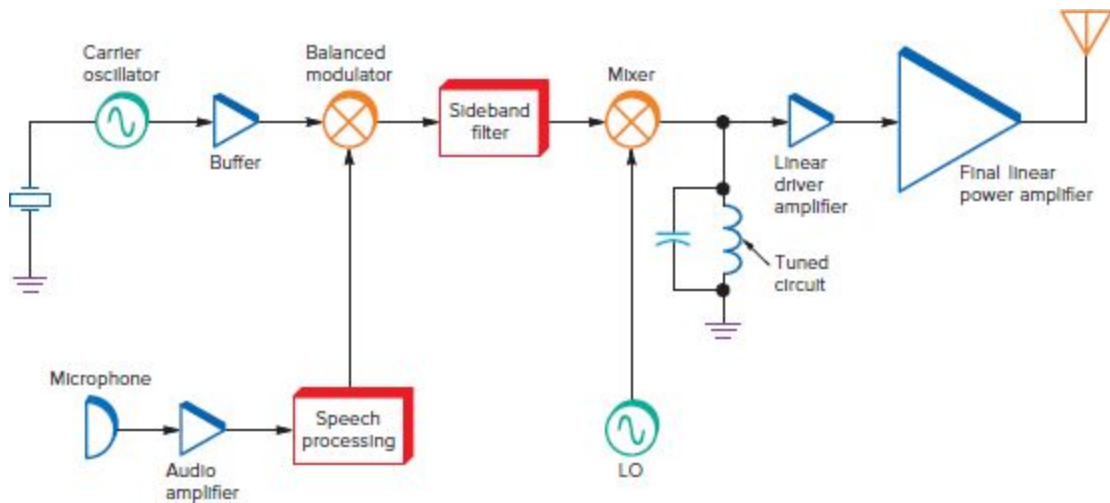
Single-sideband (SSB) transmitter

Typically, the SSB signal is generated at a low RF. This makes the balanced modulator and filter circuits simpler and easier to design. The mixer translates the SSB signal to a higher desired frequency. The other input to the mixer is derived from a local oscillator set at a frequency that, when mixed with the SSB signal, produces the desired operating frequency. The mixer can be set up so that the tuned circuit at its output selects either the sum or the difference frequency. The oscillator frequency must be set to provide the desired output frequency. For fixed-channel operation, crystals can be used in this local oscillator. However, in some equipment, such as that used by hams, a *variable frequency oscillator (VFO)* is used to provide continuous tuning over a desired range. In most modern communication equipment, a frequency synthesizer is used to set the final output frequency.

Variable frequency oscillator (VFO)

The output of the mixer in Fig. 8-4 is the desired final carrier frequency containing the SSB modulation. It is then fed to linear driver and power amplifiers to increase the power level as required. Class C amplifiers distort the signal and therefore cannot be used to transmit SSB or low-level AM of any kind, including DSB. Class A or AB linear amplifiers must be used to retain the information content in the AM signal.

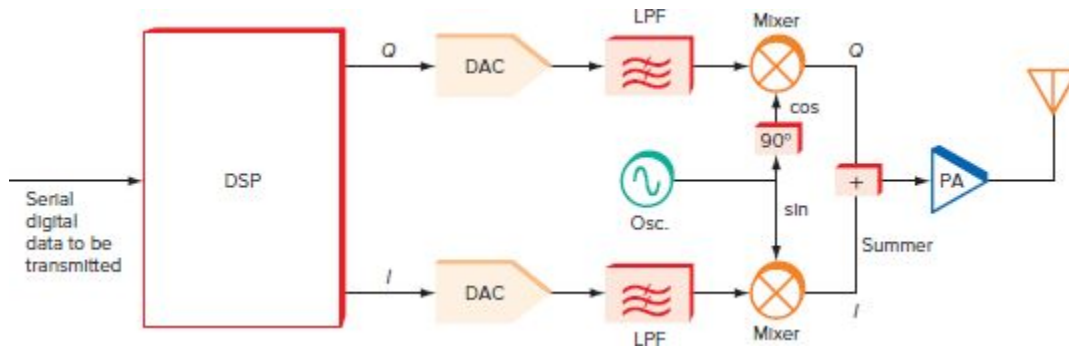
Figure 8-4 An SSB transmitter.



Digital Transmitters. Most modern digital radios such as cell phones use DSP to produce the modulation and related processing of the data to be transmitted. Refer to Fig. 8-5. The serial data representing the data to be transmitted is sent to the DSP, which then generates two data streams that are then converted to RF for transmission. The data paths from the DSP chip are sent to DACs where they are translated to equivalent analog signals. The analog signals are filtered in a *low-pass filter (LPF)* and then applied to mixers that will up-convert them to the final output frequency. The mixers receive their second inputs from an oscillator or a frequency synthesizer that selects the operating frequency. Note that the oscillator signals are in quadrature; i.e., one is shifted 90° from the other. One is a sine wave, and the other is a cosine wave. The lower signal is referred to as the in-phase (*I*) signal and the other as the quadrature (*Q*) signal. The output signals from the mixers are then added, and the result is amplified and transmitted by the power amplifier (PA). Two quadrature signals are needed at the receiver to recover the signal and demodulate it in a DSP chip. This configuration works for any type of modulation as all of the modulation is done with mathematical algorithms. You will learn more about this technique in Chaps. 11 and 12.

Carrier generator

Figure 8-5 Modern digital transmitter.



8-2 Carrier Generators

The starting point for all transmitters is carrier generation. Once generated, the carrier can be modulated, processed in various ways, amplified, and finally transmitted. The source of most carriers in modern transmitters is a crystal oscillator. PLL frequency synthesizers in which a crystal oscillator is the basic stabilizing reference are used in applications requiring multiple channels of operation.

Crystal oscillator

Crystal Oscillators

Most radio transmitters are licensed by the FCC either directly or indirectly to operate not only within a specific frequency band but also on predefined frequencies or channels. Deviating from the assigned frequency by even a small amount can cause interference with signals on adjacent channels. Therefore, the transmitter carrier generator must be very precise, operating on the exact frequency assigned, often within very close tolerances. In some radio services, the frequency of operation must be

within 0.001 percent of the assigned frequency. In addition, the transmitter must remain on the assigned frequency. It must not drift off or wander from its assigned value despite the many operating conditions, such as wide temperature variations and changes in power supply voltage, that affect frequency. The only oscillator capable of meeting the precision and stability demanded by the FCC is a *crystal oscillator*.

Crystal

Piezoelectric effect

A *crystal* is a piece of quartz that has been cut and ground into a thin, flat wafer and mounted between two metal plates. When the crystal is excited by an ac signal across its plates, it vibrates. This action is referred to as the *piezoelectric effect*. The frequency of vibration is determined primarily by the thickness of the crystal. Other factors influencing frequency are the cut of the crystal, i.e., the place and angle of cut made in the base quartz rock from which the crystal was derived, and the size of the crystal wafer. Crystals frequencies range from as low as 30 kHz to as high as 150 MHz. As the crystal vibrates or oscillates, it maintains a very constant frequency. Once a crystal has been cut or ground to a particular frequency, it will not change to any great extent even with wide voltage or temperature variations. Even greater stability can be achieved by mounting the crystal in sealed, temperature-controlled chambers known as *crystal ovens*. These devices maintain an absolute constant temperature, ensuring a stable output frequency.

GOOD TO KNOW

The only oscillator capable of maintaining the frequency precision and stability demanded by the FCC is a crystal oscillator. In fact, the FCC requires that a crystal oscillator be used in all transmitters.

As you saw in Chap. 4, the crystal acts as an LC page 243 tuned circuit. It can emulate a series or parallel LC circuit with a Q as high as 30,000. The crystal is simply substituted for the coil and capacitor in a conventional oscillator circuit. The end result is a very precise, stable oscillator. The precision, or stability, of a crystal is usually expressed in parts per million (ppm). For example, to say that a crystal with a frequency of 1 MHz has a precision of 100 ppm means that the frequency of the crystal can vary from 999,900 to 1,000,100 Hz. Most crystals have tolerance and stability values in the 10- to 1000-ppm range. Expressed as a percentage, the precision is $(100/1,000,000) \times 100 = 0.0001 \times 100 = 0.01$ percent.

You can also use ratio and proportion to figure the frequency variation for a crystal with a given precision. For example, a 24-MHz crystal with a stability of ± 50 has a maximum frequency variation Δf of $(50/1,000,000) \times 24,000,000$. Thus, $\Delta f = 50(24,000,000)/1,000,000 = 24 \times 50 = 1200$ Hz or ± 1200 Hz.

Example 8-1

What are the maximum and minimum frequencies of a 16-MHz crystal with a stability of 200 ppm?

The frequency can vary as much as 200 Hz for every 1 MHz of frequency or $200 \times 16 = 3200$ Hz.

The possible frequency range is

$$200 \times 16 = 3200 \text{ Hz.}$$

Expressed as a percentage, this stability is

$$(3200/16,000,000) \times 100 = 0.0002 \times 100 = 0.02 \text{ percent.}$$

In other words, the actual frequency may be different from the designated frequency by as much as 50 Hz for every 1 MHz of designated frequency, or $24 \times 50 = 1200$ Hz.

A precision value given as a percentage can be converted to a ppm value as follows. Assume that a 10-MHz crystal has a precision percentage of ± 0.001 percent; 0.001 percent of 10,000,000 is $0.00001 \times 10,000,000 = 100$ Hz. Thus,

$$\begin{aligned} \text{ppm}/1,000,000 &= 100/10,000,000 \\ \text{ppm} &= 100(1,000,000)/10,000,000 = 10 \text{ ppm} \end{aligned}$$

However, the simplest way to convert from percentage to ppm is to convert the percentage value to its decimal form by dividing by 100, or moving the decimal point two places to the left, and then multiplying by 10⁶, or moving the decimal point six places to the right. For example, the ppm stability of a 5-MHz crystal with a precision of 0.005 percent is found as follows. First, put 0.005 percent in decimal form: 0.005 percent = 0.00005. Next, multiply by 1 million:

$$0.00005 \times 1,000,000 = 50 \text{ ppm}$$

Example 8-2

A radio transmitter uses a crystal oscillator with a frequency of 14.9 MHz and a frequency multiplier chain with factors of 2, 3, and 3. The crystal has a stability of ± 300 ppm.

- a. Calculate the transmitter output frequency.

$$\begin{aligned} \text{Total frequency multiplication factor} &= 2 \times 3 \times 3 = 18 \\ \text{Transmitter output frequency} &= 14.9 \text{ MHz} \times 18 \\ &= 268.2 \text{ MHz} \end{aligned}$$

- b. Calculate the maximum and minimum frequencies that the transmitter is likely to achieve if the crystal drifts to its maximum extreme.

$$\pm 300 \text{ ppm} = \frac{300}{1,000,000} \times 100 = \pm 0.03\%$$

This variation is multiplied by the frequency multiplier chain, yielding $\pm 0.03 \text{ percent} \times 18 = \pm 0.54 \text{ percent}$. Now, $268.2 \text{ MHz} \times 0.0054 = 1.45 \text{ MHz} = 1.45 \text{ MHz}$. Thus, the frequency of the transmitter output is $268.2 \pm 1.45 \text{ MHz}$. The upper limit is

$$268.2 + 1.45 = 269.65 \text{ MHz}$$

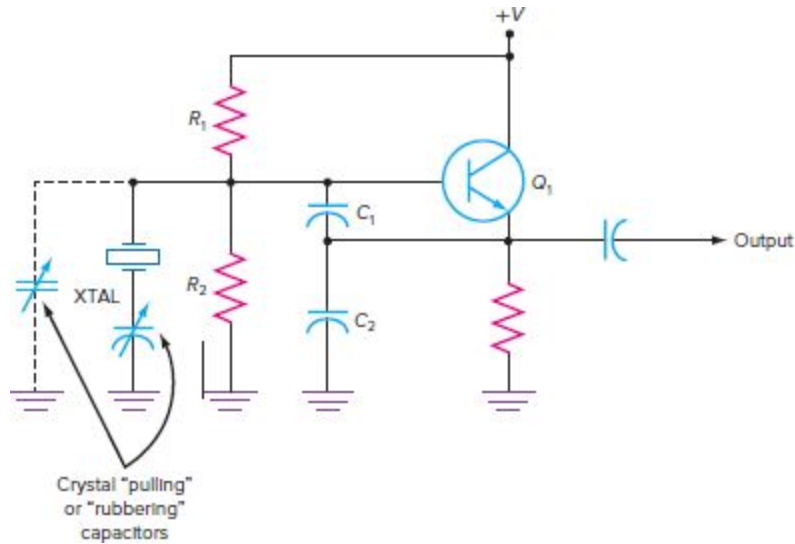
The lower limit is

$$268.2 - 1.45 = 266.75 \text{ MHz}$$

Typical Crystal Oscillator Circuits. The most common crystal oscillator is a *Colpitts type*, in which the feedback is derived from the capacitive voltage divider made up of C_1 and C_2 . An emitter-follower version is shown in Fig. 8-6. Again, the feedback comes from the capacitor voltage divider C_1 - C_2 . The output is taken from the emitter, which is untuned. Most oscillators of this type operate as class A amplifiers with a sine wave output. JFETs are also widely used in discrete component amplifiers.

Colpitts oscillator

Figure 8-6 An emitter-follower crystal oscillator.



Occasionally you will see a capacitor in series or in parallel with the crystal (not both), as shown in Fig. 8-6. These capacitors can be used to make minor adjustments in the crystal frequency. As discussed previously, it is not possible to affect large frequency changes with series or shunt capacitors, but they can be used to make fine adjustments. The capacitors are called crystal *pulling* capacitors, and the whole process of fine-tuning a crystal is sometimes referred to as *rubbering*. When the pulling capacitor is a varactor, FM or FSK can be produced. The analog or binary modulating signal varies the varactor capacitance that, in turn, shifts the crystal frequency.

Rubbering

Overtone Oscillators. The main problem with page 245 crystals is that their upper frequency operation is limited. The higher the frequency, the thinner the crystal must be to oscillate at that frequency. At an upper limit of about 50 MHz, the crystal is so fragile that it becomes impractical to use. However, over the years, operating frequencies have continued to move upward as a result of the quest for more frequency space and greater channel capacity, and the FCC has continued to demand the same

stability and precision that are required at the lower frequencies. One way to achieve VHF, UHF, and even microwave frequencies using crystals is by employing frequency multiplier circuits, as described earlier. The carrier oscillator operates on a frequency less than 50 MHz, and multipliers raise that frequency to the desired level. For example, if the desired operating frequency is 163.2 MHz and the frequency multipliers multiply by a factor of 24, the crystal frequency must be $163.2/24 = 6.8$ MHz.

Another way to achieve crystal precision and stability at frequencies above 50 MHz is to use *overtone crystals*. An overtone crystal is cut in a special way so that it optimizes its oscillation at an overtone of the basic crystal frequency. An overtone is like a harmonic as it is usually some multiple of the fundamental vibration frequency. However, the term *harmonic* is usually applied to electric signals, and the term *overtone* refers to higher mechanical vibration frequencies. Like a harmonic, an overtone is usually some integer multiple of the base vibration frequency. However, most overtones are slightly more or slightly less than the integer value. In a crystal, the second harmonic is the first overtone, the third harmonic is the second overtone, and so on. For example, a crystal with a fundamental frequency of 20 MHz would have a second harmonic or first overtone of 40 MHz, and a third harmonic or second overtone of 60 MHz.

Overtone crystal

Harmonic

Overtone

The term *overtone* is often used as a synonym for harmonic. Most manufacturers refer to their third overtone crystals as *third harmonic crystals*.

GOOD TO KNOW

Overtone refer to multiples of the harmonic frequency. The second harmonic is the first overtone, the third harmonic is the second overtone, and so on.

The odd overtones are far greater in amplitude than the even overtones. Most overtone crystals oscillate reliably at the third or fifth overtone of the frequency at which the crystal is originally ground. There are also seventh-overtone crystals. Overtone crystals can be obtained with frequencies up to about 250 MHz. A typical overtone crystal oscillator may use a crystal cut for a frequency of, say, 16.8 MHz and optimized for overtone service will have a third-overtone oscillation at $3 \times 16.8 = 50.4$ MHz. The tuned output circuit made up of L_1 and C_1 will be resonant at 50.4 MHz.

Most crystal oscillators are circuits built into other integrated circuits. The crystal is external to the IC. Another common form is that shown in Fig. 8-7, where the crystal and oscillator circuit are fully packaged together as an IC. Both sine and square output versions are available.

Figure 8-7 A surface-mount crystal oscillator in a sealed package.



Courtesy Fox Electronics

There are many different versions of these packaged crystal oscillators. These are the basic crystal oscillator

(XO), the voltage-controlled crystal oscillator (VCXO), the temperature-compensated crystal oscillator (TCXO), and the oven-controlled crystal oscillator (OCXO). The selection depends upon the desired degree of frequency stability required by the application. The basic XO has a stability in the tens of ppm.

A VCXO uses a varactor in series or parallel with the crystal (Fig. 8-6) to vary the crystal frequency over a narrow range with an external DC voltage.

Improved stability is obtained in the TCXO, which uses a feedback network with a thermistor to sense temperature variations, which in turn controls a voltage variable capacitor (VVC) or varactor to pull the crystal frequency to some desired value. TCXOs can achieve stability values of ± 0.2 to ± 2 ppm.

An OCXO packages the crystal and its circuit in a temperature-controlled oven that holds the frequency stable at the desired frequency. A thermistor sensor in a feedback network varies the temperature of a heating element in the oven. Stabilities in the $\pm 1 \times 10^{-8}$ or better can be obtained.

Frequency Synthesizers

page 246

Frequency synthesizers are variable-frequency generators that provide the frequency stability of crystal oscillators but with the convenience of incremental tuning over a broad frequency range. Frequency synthesizers usually provide an output signal that varies in fixed frequency increments over a wide range. In a transmitter, a frequency synthesizer provides basic carrier generation for channelized operation. Frequency synthesizers are also used in receivers as local oscillators and perform the receiver tuning function.

Frequency synthesizer

Using frequency synthesizers overcomes certain cost and size disadvantages associated with crystals. Assume, e.g.,

that a transmitter must operate on 50 channels. Crystal stability is required. The most direct approach is simply to use one crystal per frequency and add a large switch. Although such an arrangement works, it has major disadvantages. Crystals are expensive, ranging from \$1 to \$10 each, and even at the lowest price, 50 crystals may cost more than all the rest of the parts in the transmitter. The same 50 crystals would also take up a great deal of space, possibly occupying more than 10 times the volume of all the rest of the transmitter parts. With a frequency synthesizer, only one crystal is needed, and the requisite number of channels can be generated by using a few tiny ICs.

GOOD TO KNOW

A growing alternative to crystal oscillators are those made with micro-electro-mechanical systems (MEMS) technology. The frequency determining element is a vibrating silicon mechanical structure within the electronic silicon oscillator circuit.

Over the years, many techniques have been developed for implementing frequency synthesizers with frequency multipliers and mixers. Today, however, most frequency synthesizers use some variation of the *phase-locked loop (PLL)*. A newer technique called *digital signal synthesis (DSS)* is becoming more popular as integrated-circuit technology has made high-frequency generation practical.

Phase-locked loop (PLL)

Digital signal synthesis (DSS)

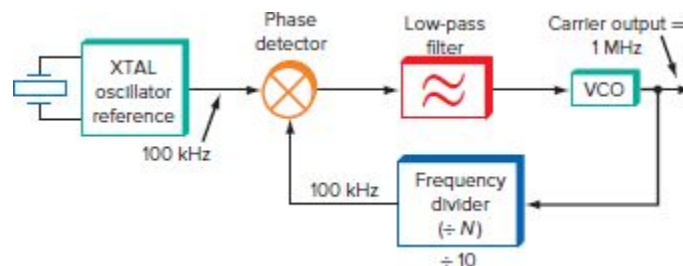
Phase-locked loop synthesizer

Phase-Locked Loop Synthesizers

An elementary frequency synthesizer based on a PLL is shown in Fig. 8-8. Like all phase-locked loops, it consists of a phase detector, a low-pass filter, and a VCO. The input to the phase detector is a reference oscillator. The reference oscillator is normally crystal-controlled to provide high-frequency stability. The frequency of the reference oscillator sets the increments in which the frequency may be changed. Note that the VCO output is not connected directly back to the phase detector, but applied to a frequency divider first. A *frequency divider* is a circuit whose output frequency is some integer submultiple of the input frequency. A divide-by-10 frequency synthesizer produces an output frequency that is one-tenth of the input frequency. Frequency dividers can be easily implemented with digital circuits to provide any integer value of frequency division.

Frequency divider

Figure 8-8 Basic PLL frequency synthesizer.



In the PLL in Fig. 8-8, the reference oscillator is page 247 set to 100 kHz (0.1 MHz). Assume that the frequency divider is initially set for a division of 10. For a PLL to become locked or synchronized, the second input to the phase detector must be equal in frequency to the reference frequency; for this PLL to be locked, the frequency divider output must be 100 kHz. The VCO output has to be 10 times higher than this, or 1 MHz. One way to look at this circuit is as a frequency *multiplier*: The 100-kHz input is multiplied by 10 to produce the 1-MHz output. In the design of the

synthesizer, the VCO frequency is set to 1 MHz so that when it is divided, it will provide the 100-kHz input signal required by the phase detector for the locked condition. The synthesizer output is the output of the VCO. What has been created, then, is a 1-MHz signal source. Because the PLL is locked to the crystal reference source, the VCO output frequency has the same stability as that of the crystal oscillator. The PLL will track any frequency variations, but the crystal is very stable and the VCO output is as stable as that of the crystal reference oscillator.

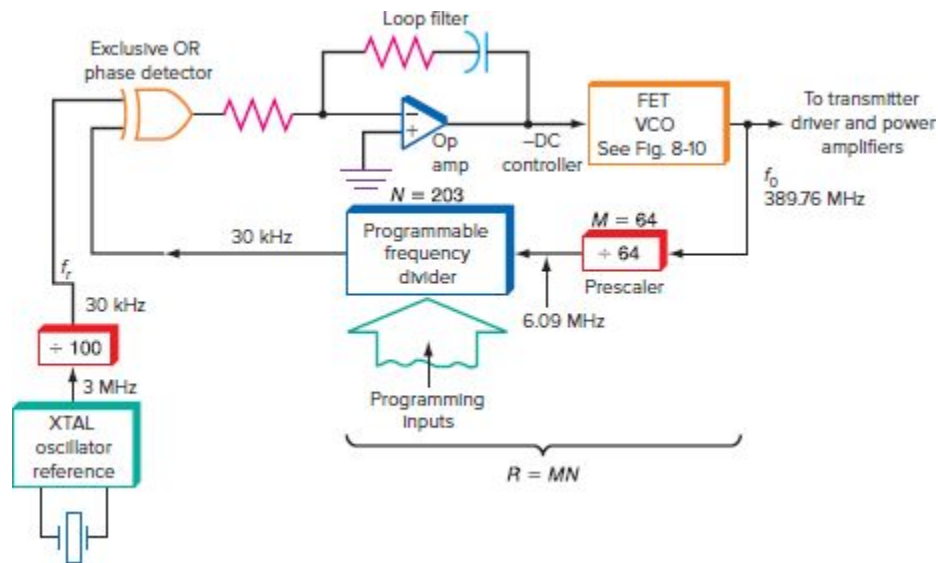
To make the frequency synthesizer more useful, some means must be provided to vary its output frequency. This is done by varying the frequency division ratio. Through various switching techniques, the flip-flops in a frequency divider can be arranged to provide any desired frequency division ratio. In the most sophisticated circuits, a microprocessor generates the correct frequency division ratio based on software inputs.

Varying the frequency division ratio changes the output frequency. For example, in the circuit in Fig. 8-8, if the frequency division ratio is changed from 10 to 11, the VCO output frequency must change to 1.1 MHz. The output of the divider then remains at 100 kHz ($(1,100,000/11 = 100,000)$), as necessary to maintain a locked condition. Each incremental change in frequency division ratio produces an output frequency change of 0.1 MHz. This is how the frequency increment is set by the reference oscillator.

A more complex PLL synthesizer, a circuit that generates VHF and UHF frequencies over the 100- to 500-MHz range, is shown in Fig. 8-9. This circuit uses an FET oscillator to generate the carrier frequency directly. No frequency multipliers are needed. The output of the frequency synthesizer can be connected directly to the driver and power amplifiers in the transmitter. This synthesizer has an output frequency in the 390-MHz range, and the frequency

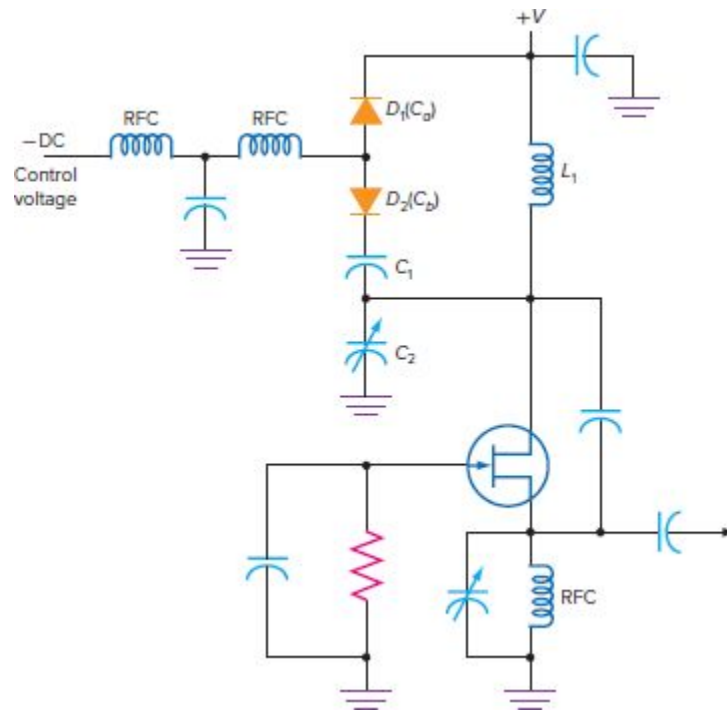
can be varied in 30-kHz increments above and below that frequency.

Figure 8-9 VHF/UHF frequency synthesizer.



The VCO circuit for the synthesizer in Fig. 8-9 is shown in Fig. 8-10. The frequency of this LC oscillator is set by the values of L_1, C_1, C_2 and the capacitances of the varactor diodes D_1 and D_2, C_a and C_b , respectively. The dc voltage applied to the varactors changes the frequency. Two varactors are connected back to back, and thus the total effective capacitance of the pair is less than either individual capacitance. Specifically, it is equal to the series capacitance C_s , where $C_s = C_a C_b / (C_a + C_b)$. If D_1 and D_2 are identical, $C_s = C_a / 2$. A negative voltage with respect to ground is required to reverse-bias the diodes. Increasing the negative voltage increases the reverse bias and decreases the capacitance. This, in turn, increases the oscillator frequency.

Figure 8-10 VHF/UHF range VCO.



Using two varactors allows the oscillator to produce higher RF voltages without the problem of the varactors becoming forward-biased. If a varactor, which is a diode, becomes forward-biased, it is no longer a capacitor. High voltages in the tank circuit of the oscillator can sometimes exceed the bias voltage level and cause forward conduction. When forward conduction occurs, rectification takes place, producing a dc voltage that changes the dc tuning voltage from the phase detector and loop filter. With two capacitors in series, the voltage required to forward-bias the combination is double that of one varactor. An additional benefit is that two varactors in series produce a more linear variation of capacitance with voltage than one diode. The dc frequency control voltage is, of course, derived by filtering the phase detector output with the low-pass loop filter.

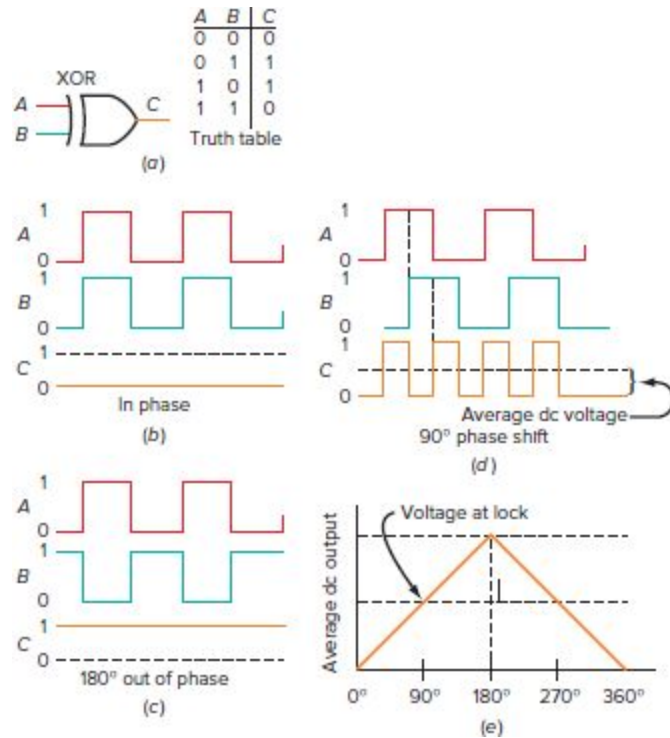
In most PLLs, the phase detector is a digital [page 248](#) circuit rather than a linear circuit, since the inputs [page 249](#) to the phase detector are usually digital. Remember, one input comes from the output of the

feedback frequency divider chain, which is certainly digital, and the other comes from the reference oscillator. In some designs, the reference oscillator frequency is also divided down by a digital frequency divider to achieve the desired frequency step increment. This is the case in Fig. 8-9. Since the synthesizer frequency can be stepped in increments of 30 kHz, the reference input to the phase detector must be 30 kHz. This is derived from a stable 3-MHz crystal oscillator and a frequency divider of 100.

The design shown in Fig. 8-9 uses an exclusive-OR gate as a phase detector. Recall that an exclusive-OR (XOR) gate generates a binary 1 output only if the two inputs are complementary; otherwise, it produces a binary 0 output.

Fig. 8-11 shows how the XOR phase detector works: Remember that the inputs to a phase detector must have the same frequency. This circuit requires that the inputs have a 50 percent duty cycle. The phase relationship between the two signals determines the output of the phase detector. If the two inputs are exactly in phase with each other, the XOR output will be zero, as Fig. 8-11(b) shows. If the two inputs are 180° out of phase with each other, the XOR output will be a constant binary 1 [see Fig. 8-11(c)]. Any other phase relationship will produce output pulses at twice the input frequency. The duty cycle of these pulses indicates the amount of phase shift. A small phase shift produces narrow pulses; a larger phase shift produces wider pulses. Fig. 8-11(d) shows a 90° phase shift.

Figure 8-11 Operation of XOR phase detector.



The output pulses are fed to the loop filter (Fig. 8- page 250 9), an op amp with a capacitor in the feedback path that makes it into a low-pass filter. This filter averages the phase detector pulses into a constant dc voltage that biases the VCO varactors. The average dc voltage is proportional to the duty cycle, which is the ratio of the binary 1 pulse time to the period of the signal. Narrow pulses (low duty cycle) produce a low average dc voltage, and wide pulses (high duty cycle) produce a high average dc voltage. Fig. 8-11(e) shows how the average dc voltage varies with phase shift. Most PLLs lock in at a phase difference of 90°. Then, as the frequency of the VCO changes because of drift or because of changes in the frequency divider ratio, the input to the phase detector from the feedback divider changes, varying the duty cycle. This changes the dc voltage from the loop filter and forces a change of the VCO frequency to compensate for the original change. Note that the xor produces a positive dc average voltage, but the op amp

used in the loop filter inverts this to a negative dc voltage, as required by the VCO.

The output frequency of the synthesizer f_o and the phase detector reference frequency f_r are related to the overall divider ratio R as follows:

$$R = \frac{f_o}{f_r} \quad f_o = Rf_r \quad \text{or} \quad f_r = \frac{f_o}{R}$$

In our example, the reference input to the phase detector f_r must be 30 kHz to match the feedback from the VCO output f_o . Assume a VCO output frequency of 389.76 MHz. A frequency divider reduces this amount to 30 kHz. The overall division ratio is $R = f_o/f_r = 389,760,000/30,000 = 12,992$.

In some very high-frequency PLL synthesizers, a special frequency divider called a *prescaler* is used between the high-output frequency of the VCO and the programmable part of the divider. The prescaler could be one or more *emitter-coupled logic (ECL)* flip-flops or a low-ratio CMOS frequency divider that can operate at frequencies up to 1 to 2 GHz. Refer again to Fig. 8-9. The prescaler divides by a ratio of $M = 64$ to reduce the 389.76-MHz output of the VCO to 6.09 MHz, which is well within the range of most programmable frequency dividers. Since we need an overall division ratio of $R = 12,992$ and a factor of $M = 64$ is in the prescaler, the programmable portion of the feedback divider N can be computed. The total division factor is $R = MN = 12,992$. Rearranging, we have $N = R/M = 12,992/64 = 203$.

Prescaler

Now, to see how the synthesizer changes output frequencies when the division ratio is changed, assume that the programmable part of the divider is changed by one increment, to $N = 204$. For the PLL to remain in a locked state, the phase detector input must remain at 30 kHz. This means that the VCO output frequency must change. The new

frequency division ratio is $204 \times 64 = 13,056$. Multiplying this by 30 kHz yields the new VCO output frequency $f_o = 30,000 \times 13,056 = 391,680,000 \text{ Hz} = 391.68 \text{ MHz}$. Instead of the desired 30-kHz increment, the VCO output varied by $391,680,000 - 389,760,000 = 1,920,000 \text{ Hz}$, or a step of 1.92 MHz. This was caused by the prescaler. For a 30-kHz step to be achieved, the feedback divider should have changed its ratio from 12,992 to 12,993. Since the prescaler is fixed with a division factor of 64, the smallest increment step is 64 times the reference frequency, or $64 \times 30,000 = 1,920,000 \text{ Hz}$. The prescaler solves the problem of having a divider with a high enough frequency capability to handle the VCO output, but forces the use of programmable dividers for only a portion of the total divider ratio. Because of the prescaler, the divider ratio is not stepped in integer increments but in increments of 64. Circuit designers can either live with this or find another solution.

One possible solution is to reduce the reference frequency by a factor of 64. In the example, the reference frequency would become $30 \text{ kHz}/64 = 468.75 \text{ Hz}$. To achieve this frequency at the other input of the phase detector, an additional division factor of 64 must be included in the programmable divider, making it $N = 203 \times 64 = 12,992$. Assuming the original output frequency of 389.76 MHz, the overall divider ratio is $R = MN = 12,992(64) = 831,488$. This makes the output of the programmable divider equal to the reference frequency, or $f_r = 389,760,000/831,488 = 468.75 \text{ Hz}$.

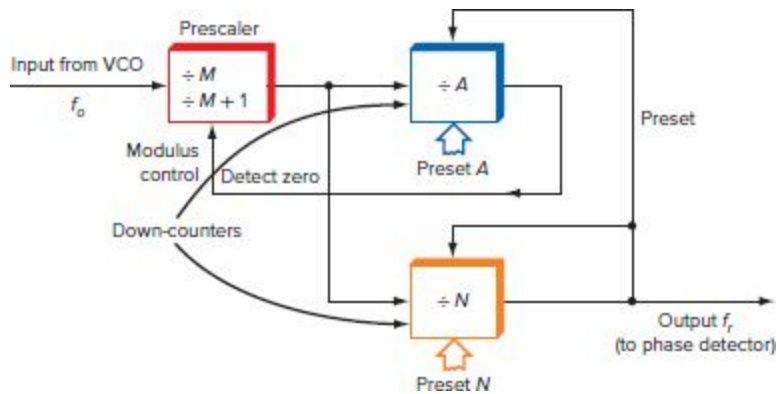
This solution is logical, but it has several disadvantages. First, it increases cost and complexity by requiring two more divide-by-64 ICs in the reference and feedback paths. Second, the lower the operating frequency of the phase detector, the more difficult it is to filter the output into direct current. Further, the low-frequency response of the filter slows the process of achieving lock. When a change in the divider ratio is made, the VCO frequency must change. It takes a finite amount of time for the filter to develop the necessary value of corrective voltage to shift the VCO

frequency. The lower the phase detector frequency, the greater this lock delay time. It has been determined that the lowest acceptable frequency is about 1 kHz, and even this is too low in some applications. At 1 kHz, the change in VCO frequency is very slow as the filter capacitor changes its charge in response to the different duty-cycle pulses of the phase detector. With a 468.75-Hz phase detector frequency, the loop response becomes even slower. For more rapid frequency changes, a much higher frequency must be used. For spread spectrum and in some satellite applications, the frequency must change in a few microseconds or less, requiring an extremely high reference frequency.

To solve this problem, designers of high-[page 251](#) frequency PLL synthesizers created special IC frequency dividers, such as the one diagrammed in Fig. 8-12. This is known as a *fractional N divider PLL*. The VCO output is applied to a special variable-modulus prescaler divider. It is made of emitter-coupled logic or CMOS circuits. It is designed to have two divider ratios, M and $M + 1$. Some commonly available ratio pairs are 10/11, 64/65, and 128/129. Let's assume the use of a 64/65 counter. The actual divider ratio is determined by the modulus control input. If this input is binary 0, the prescaler divides by M , or 64; if this input is binary 1, the prescaler divides by $M + 1$, or 65. As Fig. 8-12 shows, the modulus control receives its input from an output of counter A . Counters A and N are programmable down-counters used as frequency dividers. The divider ratios are preset into the counters each time a full divider cycle is achieved. These ratios are such that $N > A$. The count input to each counter comes from the output of the variable-modulus prescaler.

Fractional N divider

Figure 8-12 Using a variable-modulus prescaler in a PLL frequency divider.



A divider cycle begins by presetting the down-counters to A and N and setting the prescaler to $M + 1 = 65$. The input frequency from the VCO is f_0 . The input to the down-counters is $f_0/65$. Both counters begin down-counting. Since A is a shorter counter than N , A will decrement to 0 first. When it does, its detect-0 output goes high, changing the modulus of the prescaler from 65 to 64. The N counter initially counts down by a factor of A , but continues to down-count with an input of $f_0/64$. When it reaches 0, both down-counters are preset again, the dual modulo prescaler is changed back to a divider ratio of 65, and the cycle starts over.

The total division ratio R of the complete divider in Fig. 8-12 is $R = MN + A$. If $M = 64$, $N = 203$, and $A = 8$, the total divider ratio is $R = 64(203) + 8 = 12,992 + 8 = 13,000$. The output frequency is $f_0 = Rf_r = 13,000(30,000) = 390,000,000 = 390 \text{ MHz}$.

Any divider ratio in the desired range can be obtained by selecting the appropriate preset values for A and N . Further, this divider steps the divider ratio one integer at a time so that the step increment in the output frequency is 30 kHz, as desired.

As an example, assume that N is set to 207 and A is set to 51. The total divider ratio is $R = MN + A = 64(207) + 51 = 13,248 + 51 = 13,299$. The new output frequency is $f_0 = 13,299(30,000) = 398,970,000 = 398.97 \text{ MHz}$.

If the A value is changed by 1, raising it to 52, the new divide ratio is $R = MN + A = 64(207) + 52 = 13,248 + 52 = 13,300$. The new frequency is $f_0 = 13,300(3,000) = 399,000,000 = 399 \text{ MHz}$. Note that with an increment change in A of 1, R changed by 1 and the final

output frequency increased by a 30-kHz (0.03-MHz) increment, from 398.97 to 399 MHz.

The preset values for N and A can be supplied by [page 252](#) almost any parallel digital source but are usually supplied by a microprocessor or are stored in a ROM. Although this type of circuit is complex, it achieves the desired results of stepping the output frequency in increments equal to the reference input to the phase detector and allowing the reference frequency to remain high so that the change delay in the output frequency is shorter.

Example 8-3

A frequency synthesizer has a crystal reference oscillator of 10 MHz followed by a divider with a factor of 100. The variable-modulus prescaler has $M = 31/32$. The A and N down-counters have factors of 63 and 285, respectively. What is the synthesizer output frequency?

The reference input signal to the phase detector is

$$\frac{10 \text{ MHz}}{100} = 0.1 \text{ MHz} = 100 \text{ kHz}$$

The total divider factor R is

$$R = MN + A = 32(285) + 63 = 9183$$

The output of this divider must be 100 kHz to match the 100-kHz reference signal to achieve lock. Therefore, the input to the divider, the output of the VCO, is R times 100 kHz, or

$$f_o = 9183(0.1 \text{ MHz}) = 918.3 \text{ MHz}$$

Example 8-4

Demonstrate that the step change in output frequency for the synthesizer in Example 8-3 is equal to the phase detector reference range, or 0.1 MHz.

Changing the A factor one increment to 64 and recalculating the output yield

$$R = 32(285) + 64 = 9184$$

$$f_o = 9184(0.1 \text{ MHz}) = 918.4 \text{ MHz}$$

The increment is $918.4 - 918.3 = 0.1 \text{ MHz}$.

Direct Digital Synthesis

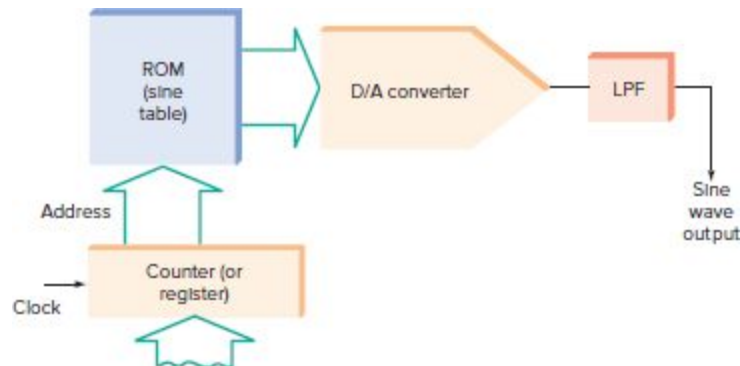
A newer form of frequency synthesis is known as *direct digital synthesis (DDS)*. A DDS synthesizer generates a sine wave output digitally. The output frequency can be varied in increments depending upon a binary value supplied to the unit by a counter, a register, or an embedded microcontroller.

Direct digital synthesis

The basic concept of the DDS synthesizer is [page 253](#) illustrated in Fig. 8-13. A read-only memory (ROM) is programmed with the binary representation of a sine wave. These are the values that would be generated by an analog-to-digital (A/D) converter if an analog sine wave were digitized and stored in the memory. If these binary values are fed to a digital-to-analog (D/A) converter, the output of the D/A converter will be a stepped approximation of the sine wave. A low-pass filter (LPF) is used to remove

the high-frequency content near the clock frequency, thereby smoothing the ac output into a nearly perfect sine wave.

Figure 8-13 Basic concept of a DDS frequency source.



To operate this circuit, a binary counter is used to [page 254](#) supply the address word to the ROM. A clock signal steps the counter that supplies a sequentially increasing address to ROM. The binary numbers stored in ROM are applied to the D/A converter, and the stepped sine wave is generated. The frequency of the clock determines the frequency of the sine wave.

GOOD TO KNOW

High-frequency content near the clock frequency of the D/A converter must be removed from the waveform. A low-pass filter is used to accomplish this, and a smooth sine wave results.

To illustrate this concept, assume a 16-word ROM in which each storage location has a 4-bit address. The addresses are supplied by a 4-bit binary counter that counts from 0000 through 1111 and recycles. Stored in ROM are binary numbers representing values that are the sine of particular angles of the sine wave to be generated. Since a sine wave is 360° in length, and since the 4-bit counter produces 16

addresses or increments, the binary values represent the sine values at $360/16 = 22.5^\circ$ increments.

Assume further that these sine values are represented with 8 bits of precision. The 8-bit binary sine values are fed to the D/A converter, where they are converted to a proportional voltage. If the D/A converter is a simple unit capable of a dc output voltage only, it cannot produce a negative value of voltage as required by a sine wave. Therefore, we will add to the sine value stored in ROM an offset value that will produce a sine wave output, but shifted so that it is all positive. For example, if we wish to produce a sine wave with a 1-V peak value, the sine wave would vary from 0 to +1, then back to 0, from 0 to -1, and then back to 0, as shown in Fig. 8-14(a). We add a binary 1 to the waveform so that the output of the D/A converter will appear as shown in Fig. 8-14(b). The D/A converter output will be 0 at the peak negative value of the sine wave. This value of 1 is added to each of the sine values stored in ROM. Fig. 8-15 shows the ROM address, the phase angle, sine value, and the sine value plus 1.

Figure 8-14 Shifting a sine wave to direct current.

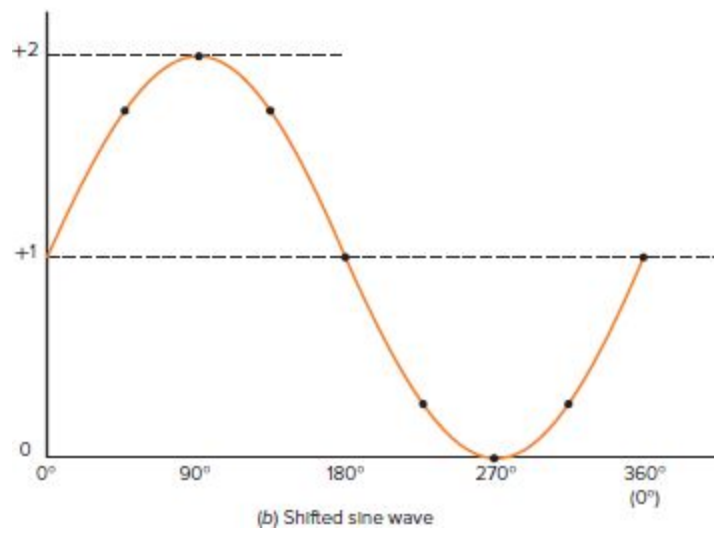
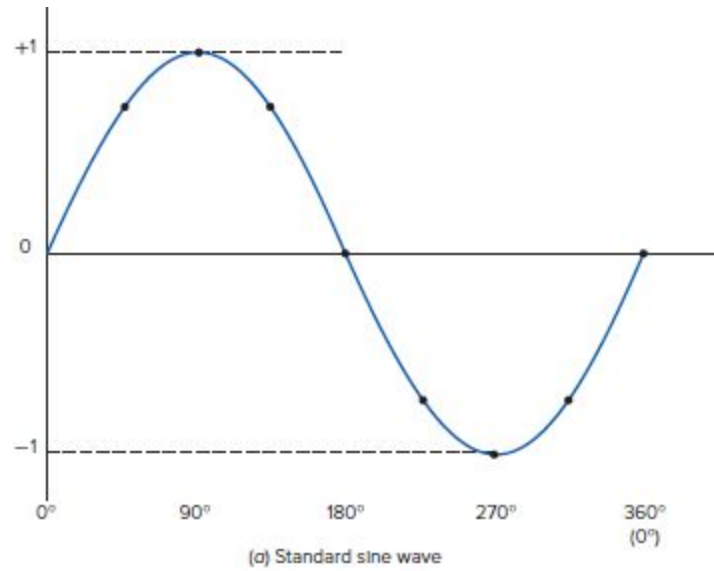
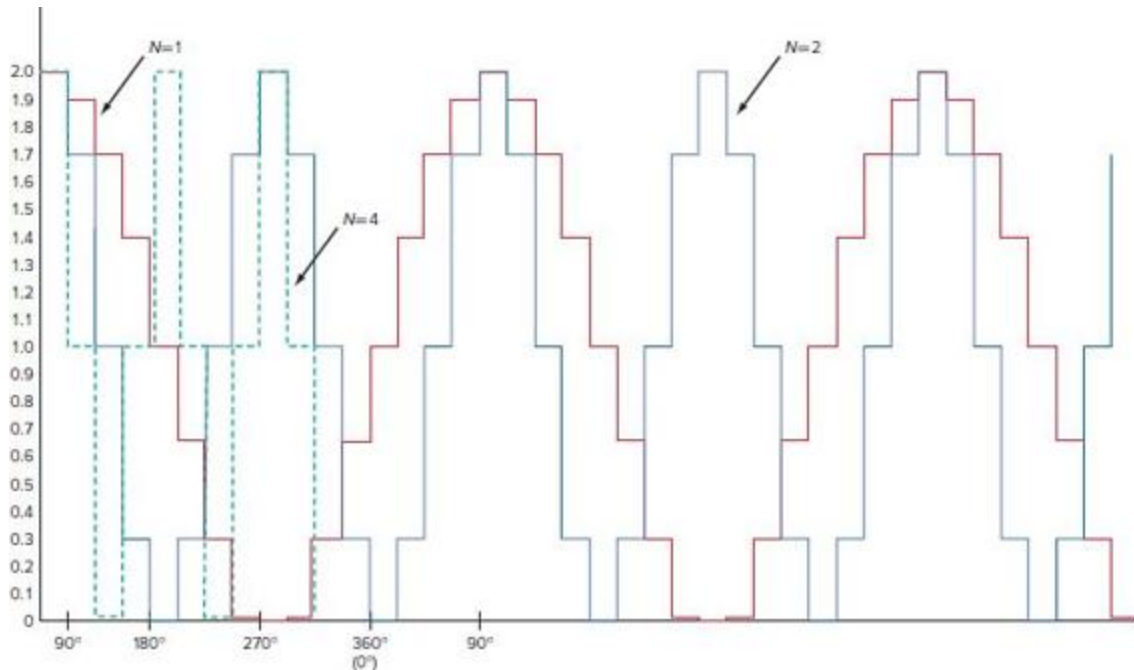


Figure 8-15 Address and sine values for a 4-bit DDS.

ADDRESS	ANGLE (DEGREES)	SINE	SINE + 1
0000	90	1	2
0001	112.5	0.924	1.924
0010	135	0.707	1.707
0011	157.5	0.383	1.383
0100	180	0	1
0101	202.5	-0.383	0.617
0110	225	-0.707	0.293
0111	247.5	-0.924	0.076
1000	270	-1	0
1001	292.5	-0.924	0.076
1010	315	-0.707	0.293
1011	337.5	-0.383	0.617
1100	360	0	1
1101	22.5	0.383	1.383
1110	45	0.707	1.707
1111	67.5	0.924	1.924
0000	90	1	2

If the counter starts counting at zero, the sine values will be sequentially accessed from ROM and fed to the D/A converter, which produces a stepped approximation of the sine wave. The resulting waveform (red) for one complete count of the counter is shown in Fig. 8-16. If the clock continues to count, the counter will recycle and the sine wave output cycle will be repeated.

Figure 8-16 Output waveforms of a 4-bit DDS.



An important point to note is that this frequency synthesizer produces one complete sine wave cycle for every 16 clock pulses. The reason for this is that we used 16 sine values to create the one cycle of the sine wave in ROM. To get a more accurate representation of the sine wave, we could have used more bits. For example, if we had used an 8-bit counter with 256 states, the sine values would be spaced every $360/256 = 1.4^\circ$, giving a highly accurate representation of the sine wave. Because of this relationship, the output frequency of the sine wave $f_0 =$ the clock frequency $f_{clk}/2^N$, where N is equal to the number of address bits in ROM.

page 255

GOOD TO KNOW

The output frequency f_0 equals the clock frequency f_{clk} divided by 2^N , where N is the number of address bits in ROM.

If a clock frequency of 1 MHz were used with our 4-bit counter, the sine wave output frequency would be

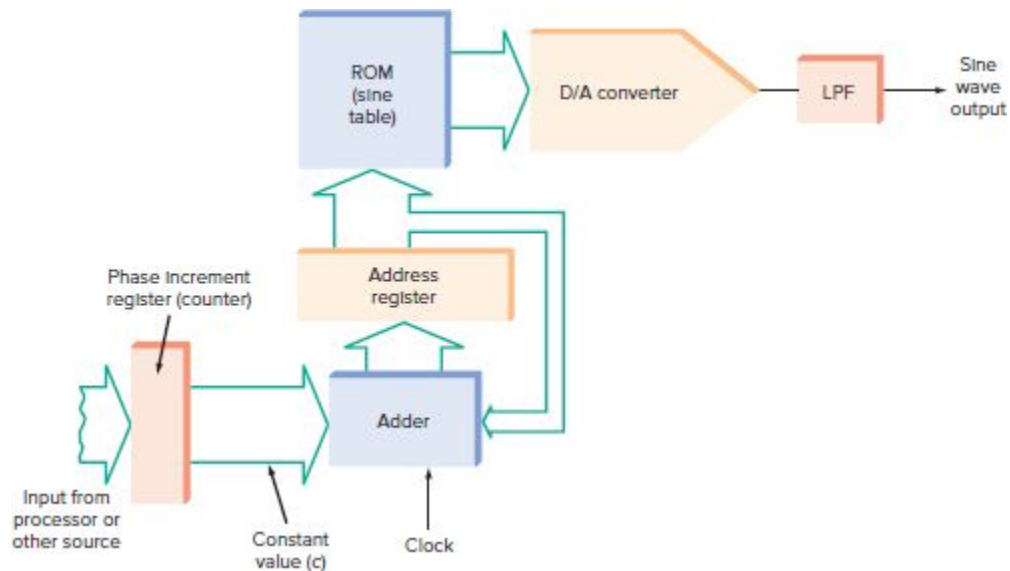
$$f_0 = 1,000,000/2^4 = 1,000,000/16 = 62,500 \text{ Hz}$$

The stepped approximation of the sine wave is then applied to a low-pass filter where the high-frequency components are removed, leaving a low-distortion sine wave.

The only way to change the frequency in this synthesizer is to change the clock frequency. This arrangement does not make much sense in view of the fact that we want our synthesizer output to have crystal oscillator precision and stability. To achieve this, the clock oscillator must be crystal-controlled. The question then becomes, how can you modify this circuit to maintain a constant clock frequency and also change the frequency digitally?

The most commonly used method to vary the synthesizer output frequency is to replace the counter with a register whose content will be used as the ROM address but also one that can be readily changed. For example, it could be loaded with an address from an external microcontroller. However, in most DDS circuits, this register is used in conjunction with a binary adder, as shown in Fig. 8-17. The output of the address register is applied to the adder along with a constant binary input value. This constant value can also be changed. The output of the adder is fed back into the register. The combination of the register and adder is generally referred to as an *accumulator*. This circuit is arranged so that upon the occurrence of each clock pulse, the constant C is added to the previous value of the register content and the sum is re-stored in the address register. The constant value comes from the phase increment register, which in turn gets it from an embedded microcontroller or other source.

Accumulator



To show how this circuit works, assume that we are using a 4-bit accumulator register and the same ROM described previously. Assume also that we will set the constant value to 1. For this reason, each time a clock pulse occurs, a 1 is added to the content of the register. With the register initially set to 0000, the first clock pulse will cause the register to increment to 1. On the next clock pulse the register will increment to 2, and so on. As a result, this arrangement acts just as the binary counter described earlier.

Now assume that the constant value is 2. This means that for each clock pulse, the register value will be incremented by 2. Starting at 0000, the register contents would be 0, 2, 4, 6, and so on. Looking at the sine value table in Fig. 8-15, you can see that the values output to the D/A converter also describe the sine wave, but the sine wave is being generated at a more rapid rate. Instead of having eight amplitude values represent the peak-to-peak value of the sine wave, only four values are used. Refer to Fig. 8-16, which illustrates what the output looks like (blue curve). The output is, of course, a stepped approximation of a sine wave, but during the complete cycle of the counter from 0000 through 1111, two cycles of the output sine wave

occur. The output has fewer steps and is a cruder representation. With an adequate low-pass filter, the output will be a sine wave whose frequency is twice that generated by the circuit with a constant input of 1.

The frequency of the sine wave can further be adjusted by changing the constant value added to the accumulator. Setting the constant to 3 will produce an output frequency that is three times that produced by the original circuit. A constant value of 4 produces a frequency four times the original frequency.

GOOD TO KNOW

For stepped-up constants added to the 4-bit accumulator register, the output can be calculated based on the constant C multiplied by the clock frequency f_{clk} divided by 2^N , where N is the number of bits in the register.

With this arrangement, we can now express the output sine wave frequency with the formula

$$f_0 = \frac{Cf_{\text{clk}}}{2^N}$$

The higher the constant value C , the fewer the samples used to reconstruct the output sine wave. When the constant is set to 4, every fourth value in Fig. 8-15 will be sent to the D/A converter, generating the dashed waveform in Fig. 8-16. Its frequency is four times the original. This corresponds to two samples per cycle, which is the least number that can be used and still generate an accurate output frequency. Recall the Nyquist criterion, which says that to adequately reproduce a sine wave, it must be sampled a minimum of two times per cycle to reproduce it accurately in a D/A converter.

To make the DDS effective, then, the total number of sine samples stored in ROM must be a very large value. Practical

circuits use a minimum of 12 address bits, giving 4096 sine samples. Even a larger number of samples can be used.

The DDS synthesizer described earlier offers page 257 some advantages over a PLL synthesizer. First, if a page 258 sufficient number of bits of resolution in ROM word size and the accumulator size are provided, the frequency can be varied in very fine increments. And because the clock is crystal-controlled, the resulting sine wave output will have the accuracy and precision of the crystal clock.

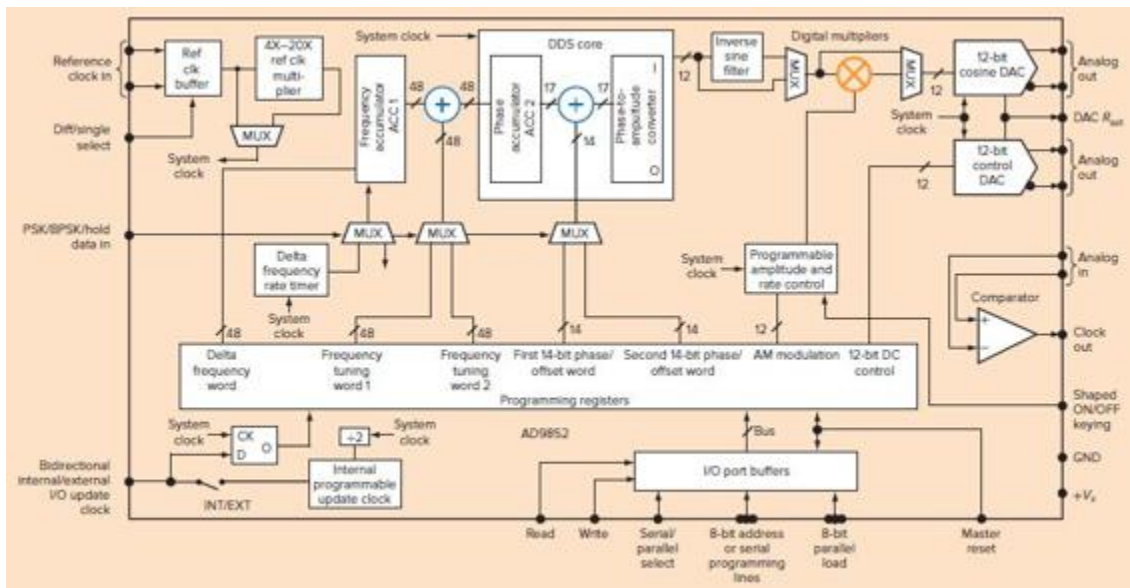
A second benefit is that the frequency of the DDS synthesizer can usually be changed much faster than that of a PLL synthesizer. Remember that to change the PLL synthesizer frequency, a new frequency-division factor must be entered into the frequency divider. Once this is done, it takes a finite amount of time for the feedback loop to detect the error and settle into the new locked condition. The storage time of the loop low-pass filter considerably delays the frequency change. This is not a problem in the DDS synthesizer, which can change frequencies within nanoseconds.

A downside of the DDS synthesizer is that it is difficult to make one with very high output frequencies. The output frequency is limited by the speed of the available D/A converter and digital logic circuitry. With today's components, it is possible to produce a DDS synthesizer with an output frequency as high as 200 MHz. Further developments in IC technology will increase that in the future. For applications requiring higher frequencies, the PLL is still the best alternative.

DDS synthesizers are available from several IC companies. The entire DDS circuitry is contained on a chip. The clock circuit is usually contained within the chip, and its frequency is set by an external crystal. Parallel binary input lines are provided to set the constant value required to change the frequency. A 12-bit D/A converter is typical. An example of

such a chip is the Analog Devices AD9852, shown in Fig. 8-18. The on-chip clock is derived from a PLL used as a frequency multiplier that can be set to multiply by any integer value between 4 and 20. With a maximum of 20, a clock frequency of 300 MHz is generated. To achieve this frequency, the external reference clock input must be $300/20 = 15$ MHz. With a 300-MHz clock, the synthesizer can generate sine waves up to 150 MHz.

Figure 8-18 Analog Devices AD9852 DDS chip.



The outputs come from two 12-bit DACs that produce both the sine and the cosine waves simultaneously. A 48-bit frequency word is used to step the frequency in 2^{48} increments. A 17-bit phase accumulator lets you shift the phase in 2^{17} increments.

This chip also has circuitry that lets you modulate the sine wave outputs. AM, FM, FSK, PM, and BPSK can be implemented. More advanced DDS ICs are available with DAC resolution to 14 bits and a maximum clock input of 1 GHz.

Keep one important thing in mind. Although there are individual PLL and DDS synthesizer chips, today these circuits are more likely to be part of a larger system on a chip (SoC).

Phase Noise

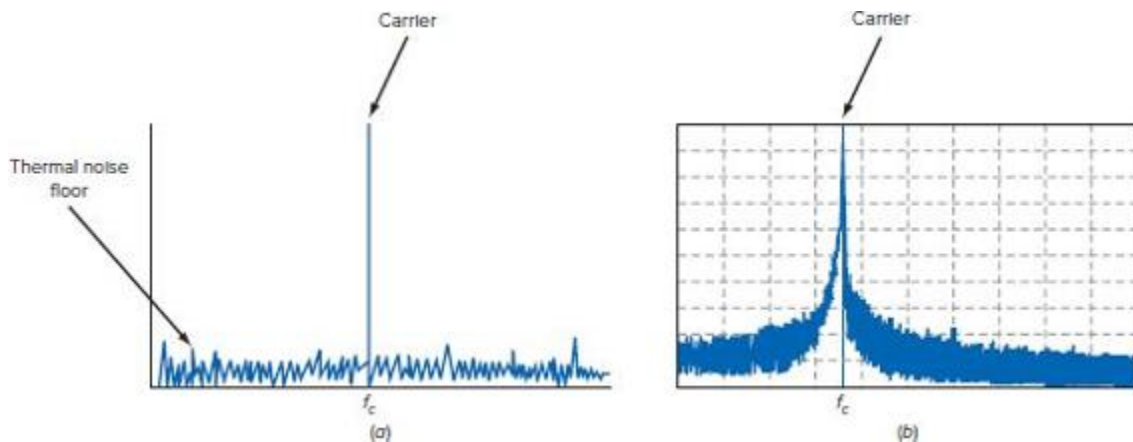
An important specification and characteristic of any signal (carrier) source, crystal oscillator, or frequency synthesizer is phase noise. Phase noise is the minor variation in the amplitude and phase of the signal generator output. The noise comes from natural semiconductor sources, power supply variations, or thermal agitation in the components. The phase variations manifest themselves as frequency variations. The result is what appears to be a sine wave signal source that has been amplitude and frequency modulated. Although these variations are small, they can result in degraded signals in both the transmitter and the receiver circuits.

For example, in the transmitter, variations in the carrier other than those imposed by the modulator can produce a “fuzzy” signal that can result in transmission errors. In the receiver, any added noise can mask and interfere with any small signals being received. A particularly difficult problem is the multiplication of the phase noise in PLL synthesizers. A PLL is a natural frequency multiplier that in effect amplifies the phase noise of the input crystal oscillator. The goal therefore is to minimize phase noise in the carrier signal by design or through the selection of signal sources with the least phase noise.

When looking at a sine wave carrier on a spectrum analyzer, what you should see is a single vertical straight line, its amplitude representing the signal power and its horizontal position representing the carrier frequency (f_c). See Fig. 8-19a. However, because of signal distortion or

noise, what you actually see is the carrier signal accompanied by sidebands around the carrier made up of harmonics and phase noise components. Fig. 8-19b is an example. Serious harmonic distortion can be filtered out, but the phase noise cannot.

Figure 8-19 (a) The ideal carrier plot in the frequency domain. (b) page 259
Real-world carrier plot as shown on a spectrum analyzer.



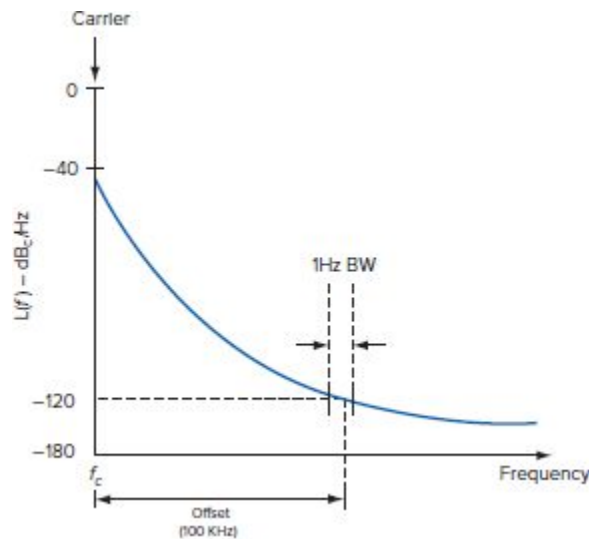
Notice in Fig. 8-19b that the noise sidebands occur both above and below the carrier frequency. When measuring phase noise, only the upper sidebands are considered; it is assumed that, because of the random nature of the noise, both upper and lower sidebands will be identical. Phase noise is designated as $L(f)$ and represents the single sideband power referenced to the carrier. It is calculated and measured as the ratio of the average noise power (P_n) in a 1 Hz bandwidth at a point offset from the carrier to the carrier signal power (P_c) expressed in dB_c/Hz . The average noise power is referred to as the spectral power density,

$$L(f) = P_n/P_c$$

Fig. 8-20 shows a plot of the phase noise. Note that the noise power is averaged over a narrow 1-Hz bandwidth. The location of that 1-Hz window is offset from the carrier. The

phase noise is measured at different offset values from 1 kHz to 10 MHz or more, depending on the frequencies involved, the modulation type, and the application. Close-in phase noise is in the 1-kHz to 10-kHz range, whereas far-out phase noise is offset by 1 MHz or more.

Figure 8-20 A single sideband plot of phase noise in $L(f)$ dB_c/Hz vs. frequency, showing the offset and the 1-Hz measurement bandwidth. Not to scale.



The range of common phase noise values is -40 page 260 dB_c/Hz to -170 dB_c/Hz. The greater the number, of course, the lower the phase noise. The noise floor is the lowest possible level and is defined by the thermal power in the circuitry and could be as low as -180 dB_c/Hz. In Fig. 8-20 the phase noise is -120 dB_c/Hz at 100 kHz.

8-3 Power Amplifiers

The three basic types of power amplifiers used in transmitters are linear, class C, and switching.

Linear amplifiers provide an output signal that is an identical, enlarged replica of the input. Their output is directly proportional to their input, and they therefore faithfully reproduce an input, but at a higher power level. Most audio amplifiers are linear. Linear RF amplifiers are used to increase the power level of variable-amplitude RF signals such as low-level AM or SSB signals. Most modern digital modulation techniques such as spread spectrum, QAM and orthogonal frequency division multiplex (OFDM) require linear amplification to retain the modulating signal information. Linear amplifiers are class A, AB, or B. The class of an amplifier indicates how it is biased.

Linear amplifier

Class A amplifiers are biased so that they conduct continuously. The bias is set so that the input varies the collector (or drain) current over a linear region of the transistor's characteristics. Thus its output is an amplified linear reproduction of the input. Usually we say that the class A amplifier conducts for 360° of an input sine wave.

Class A amplifier

Class B amplifiers are biased at cutoff so that no collector current flows with zero input. The transistor conducts on only one-half, or 180° , of the sine wave input. This means that only one-half of the sine wave is amplified. Normally, two class B amplifiers are connected in a push-pull arrangement so that both the positive and negative alternations of the input are amplified.

Class B amplifier

Class AB linear amplifiers are biased near cutoff with some continuous collector current flow. They conduct for more than 180° but less than 360° of the input. They too are used primarily in push-pull amplifiers and provide better linearity than class B amplifiers, but with less efficiency.

Class AB amplifier

Class A amplifiers are linear but not very efficient. For that reason, they make poor power amplifiers. As a result, they are used primarily as small-signal voltage amplifiers or for low-power amplifications. The buffer amplifiers described previously are class A amplifiers.

GOOD TO KNOW

Most audio amplifiers are linear and are therefore class A or AB.

Class B amplifiers are more efficient than class A amplifiers, because current flows for only a portion of the input signal, and they make good power amplifiers. However, they distort an input signal because they conduct for only one-half of the cycle. Therefore, special techniques are often used to eliminate or compensate for the distortion. For example, operating class B amplifiers in a push-pull configuration minimizes the distortion.

Class C amplifiers conduct for even less than one-half of the sine wave input cycle, making them very efficient. The resulting highly distorted current pulse is used to ring a tuned circuit to create a continuous sine wave output. Class C amplifiers cannot be used to amplify varying-amplitude signals. They will clip off or otherwise distort an AM or SSB signal. However, FM signals do not vary in amplitude and can therefore be amplified with more efficient nonlinear class C amplifiers. This type of amplifier also makes a good frequency multiplier as harmonics are generated in the amplification process.

Class C amplifier

Switching amplifiers act like on/off or digital switches. They effectively generate a square wave output. Such a distorted output is undesirable; however, by using high-Q

tuned circuits in the output, the harmonics generated as part of the switching process can be easily filtered out. The on/off switching action is highly efficient because current flows during only one-half of the input cycle, and when it does, the voltage drop across the transistor is very low, resulting in low power dissipation. Switching amplifiers are designated class D, E, F, and S.

Switching amplifiers

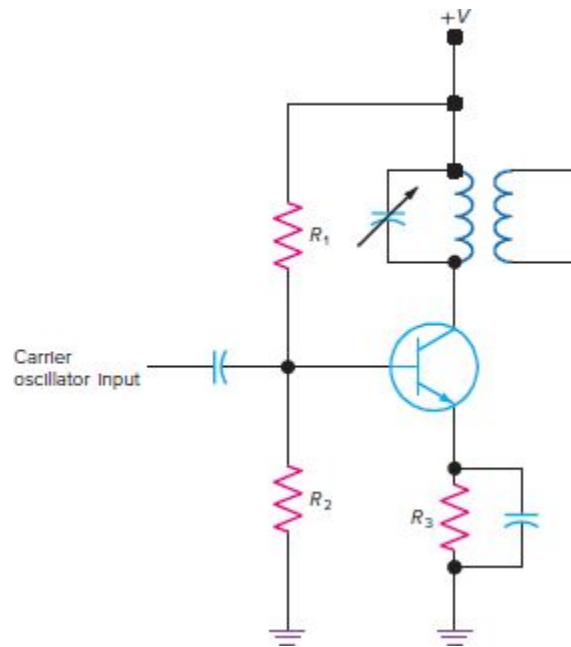
Linear Amplifiers

page 261

Linear amplifiers are used primarily in AM and SSB transmitters, and both low- and high-power versions are used. Some examples follow.

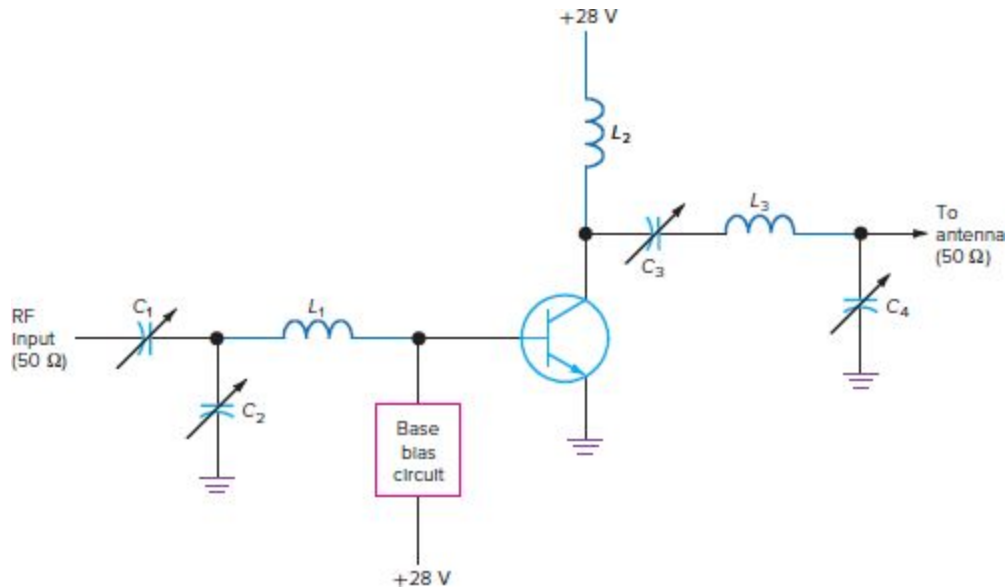
Class A Buffers. A simple class A buffer amplifier is shown in Fig. 8-21. This type of amplifier is used between the carrier oscillator and the final power amplifier to isolate the oscillator from the power amplifier load, which can change the oscillator frequency. It also provides a modest power increase to provide the driving power required by the final amplifier. Such circuits usually provide milliwatts of power and rarely more than 1 W. The carrier oscillator signal is capacitively coupled to the input. The bias is derived from R_1 , R_2 , and R_3 . The emitter resistor R_3 is bypassed to provide maximum gain. The collector is tuned with a resonant LC circuit at the operating frequency. An inductively coupled secondary loop or a direct collector connection transfers power to the next stage.

Figure 8-21 A linear (class A) RF buffer amplifier.



High-Power Linear Amplifiers. A high-power class A linear amplifier is shown in Fig. 8-22. A power MOSFET may also be used in this circuit with a few modifications. Base bias is supplied by a constant-current circuit that is temperature-compensated. The RF input from a $50\text{-}\Omega$ source is connected to the base via an impedance-matching circuit made up of C_1 , C_2 , and L_1 . The output is matched to a $50\text{-}\Omega$ load by the impedance-matching network made up of L_2 , L_3 , C_3 , and C_4 . When connected to a proper heat sink, the transistor can generate up to 100 W of power up to about 400 MHz. The amplifier is designed for a specific frequency that is set by the input and output tuned circuits. Class A amplifiers have a maximum efficiency of 50 percent. Thus only 50 percent of the dc power is converted to RF, with the remaining 50 percent being dissipated in the transistor. For 100-W RF output, the transistor dissipates 100 W. Efficiencies of less than 50 percent are typical.

Figure 8-22 A high-power class A linear RF amplifier.



Commonly available RF power transistors have an upper power limit of up to about 1 kW. To produce more power, two or more devices can be connected in parallel, in a push-pull configuration, or in some combination. Power levels of up to several thousand watts are possible with these arrangements.

RF GaAs HBT Power Amplifier IC. A popular type [page 262](#) of integrated circuit RF power amplifier uses gallium arsenide heterojunction bipolar transistors. Heterojunction means a junction between two different types of semiconductor material, for example, GaAs emitter and an aluminum-gallium-arsenide (AlGaAs) base. Some HBTs use indium-gallium-phosphide (InGaP) for the base. These transistors for a class AB linear power amplifier can be used at frequencies of up to about 6 GHz. Fig. 8-23 shows a typical circuit. The rectangles are PC board transmission line segments that act as inductors.

Figure 8-23 An RF power amplifier, class AB, using HBTs.

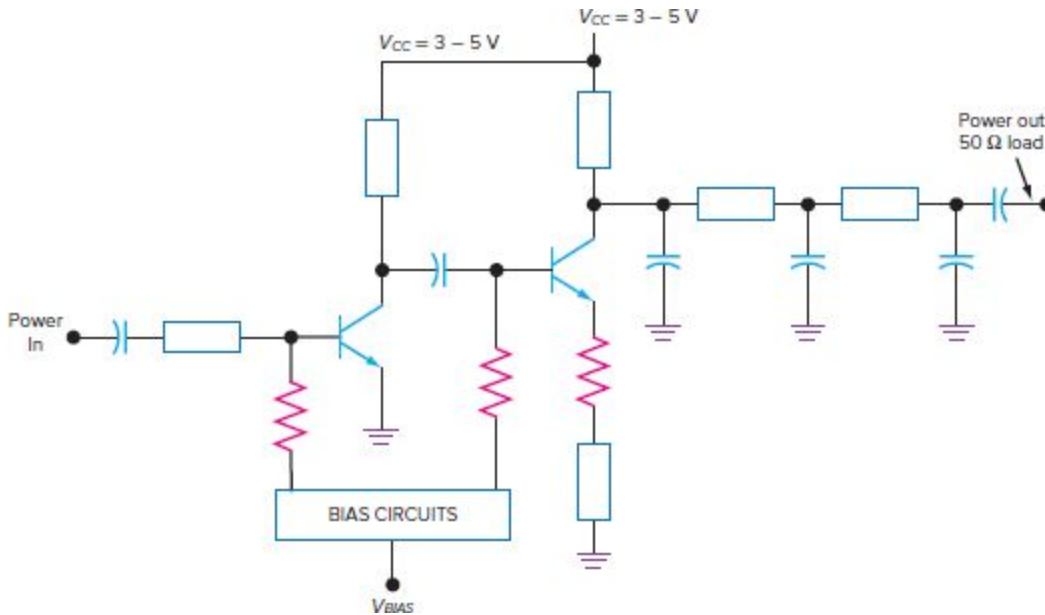


Fig. 8-24 shows a representative device, the Skyworks SKY77765, that operates in the 800-MHz cell phone band. It is only 3×3 -mm square but produces an output power in the 27- to 28-dBm range (0.4 to 0.5 watt) with a power-added efficiency (PAE) of about 50 percent. It has a two-stage class AB amplifier that operates from a dc supply voltage in the 3.2- to 4.2-V range. The chip also contains temperature-compensated bias circuits for the transistors. Most cell phones use several of these at different frequencies.

Figure 8-24 Skyworks SKY77765 chip.

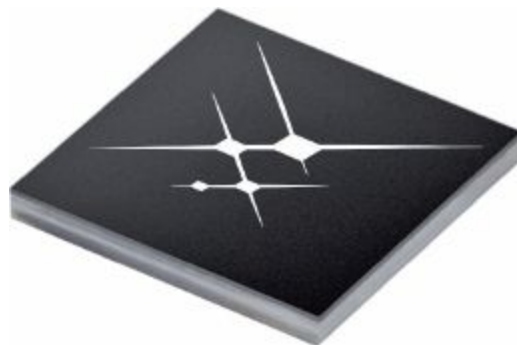
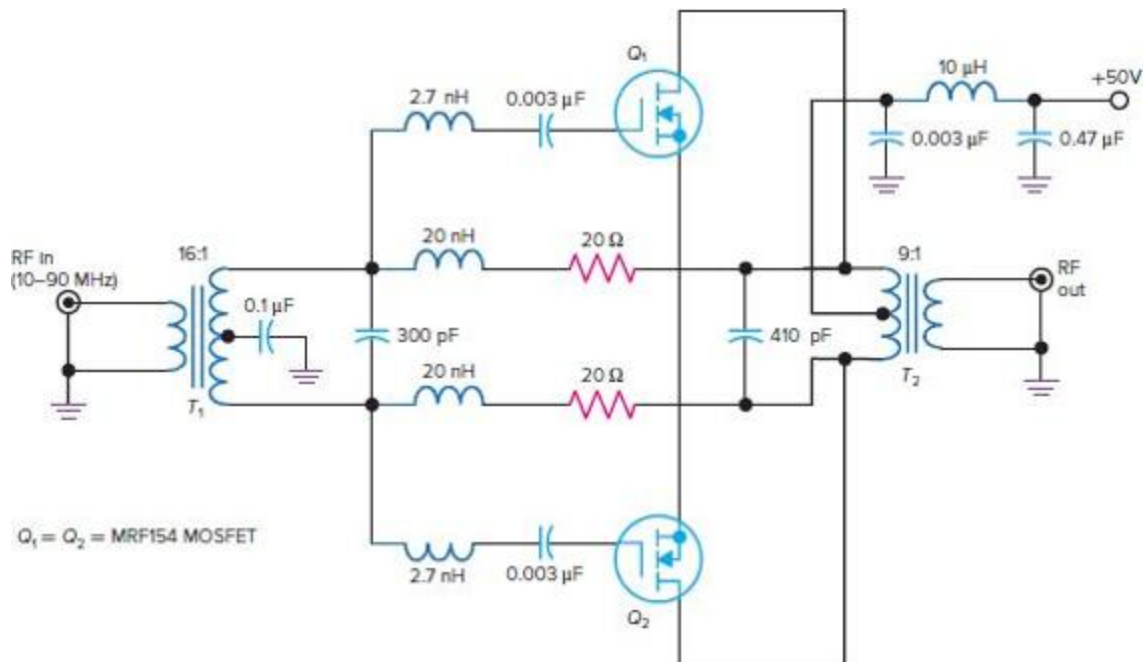


Fig. 8-25 shows a push-pull RF power amplifier. It uses two power MOSFETs, can produce an output up to 1 kW over the 10- to 90-MHz range, and has a 12-dB power gain. The RF input driving power must be 63 W to produce the full 1-kW output. Toroidal transformers T_1 and T_2 are used at the input and output for impedance matching. They provide broadband operation over the 10- to 90-MHz range without tuning. The 20-nH chokes and 20- Ω resistors form neutralization circuits that provide out-of-phase feedback from output to input to prevent self-oscillation.

Figure 8-25 A 1-kW push-pull RF power amplifier using MOSFETs.



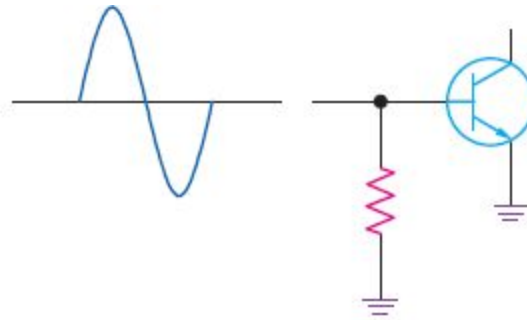
Class C Amplifiers

The key circuit in most AM and FM transmitters is the class C amplifier. These amplifiers are used for power amplification in the form of drivers, frequency multipliers, and final amplifiers. Class C amplifiers are biased, so they conduct for less than 180° of the input. A class C amplifier

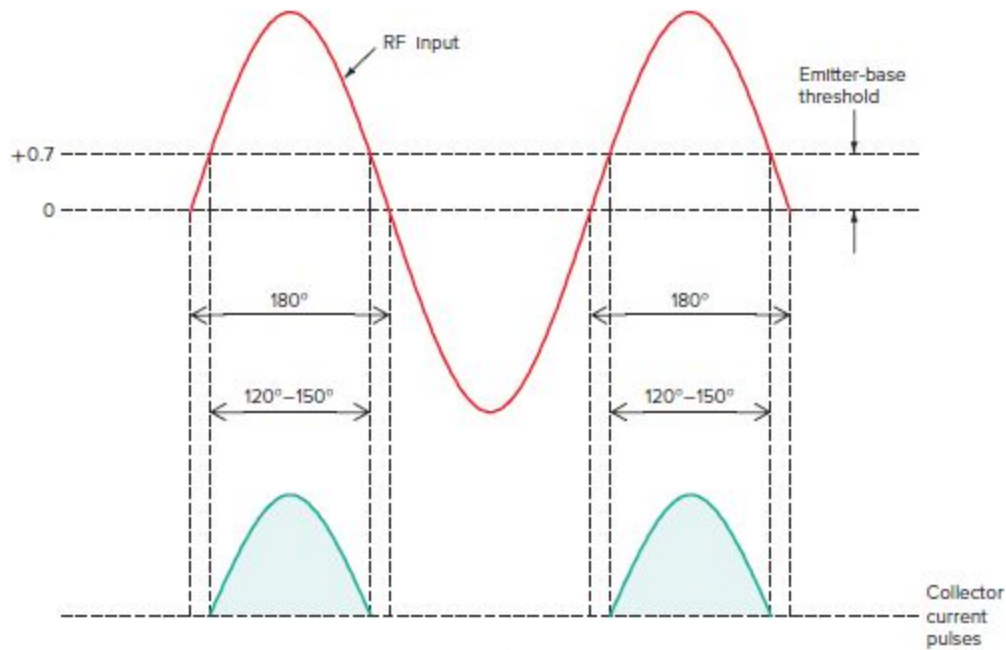
typically has a conduction angle of 90° to 150° . Current flows through it in short pulses, and a resonant tuned circuit is used for complete signal amplification.

Biasing Methods. Fig. 8-26(a) shows one way of page 264 biasing a class C amplifier. The base of the transistor is simply connected to ground through a resistor. No external bias voltage is applied. An RF signal to be amplified is applied directly to the base. The transistor conducts on the positive half-cycles of the input wave and is cut off on the negative half-cycles. Although this sounds like a class B configuration, that is not the case. Recall that the emitter-base junction of a bipolar transistor has a forward voltage threshold of approximately 0.7 V. In other words, the emitter-base junction does not really conduct until the base is more positive than the emitter by 0.7 V. Because of this, the transistor has an inherent built-in reverse bias. When the input signal is applied, the collector current does not flow until the base is positive by 0.7 V. This is illustrated in Fig. 8-26(b). The result is that collector current flows through the transistor in positive pulses for less than the full 180° of the positive ac alternation.

Figure 8-26 Using the internal emitter-base threshold for class C biasing.



(a)



(b)

GOOD TO KNOW

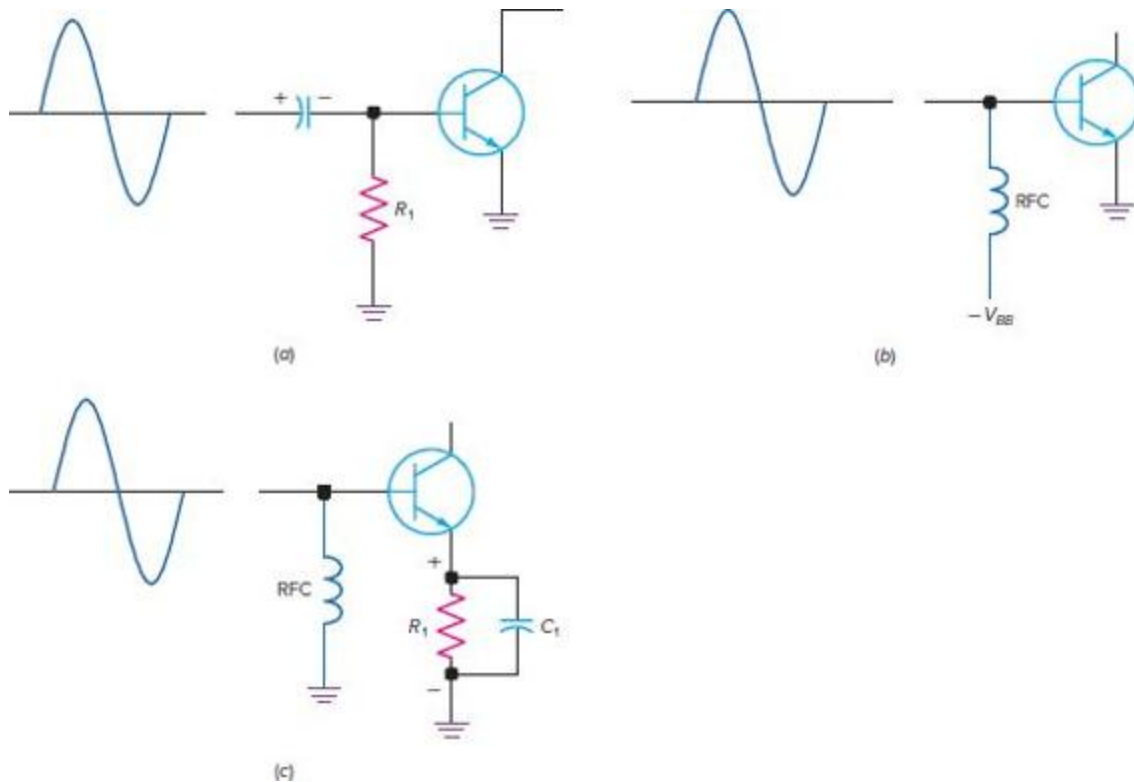
The Q of the tuned circuit in class C amplifiers should be high enough to attenuate the harmonics sufficiently. The tuned circuit should also have sufficient bandwidth to pass the sidebands created by the modulation process.

In many low-power driver and multiplier stages, no special biasing provisions other than the inherent emitter-base junction voltage are required. The resistor between base and ground simply provides a load for the driving circuit. In some cases, a narrower conduction angle than that provided

by the circuit in Fig. 8-26(a) must be used. In such cases, some form of bias must be applied. A simple way of supplying bias is with the RC network shown in Fig. 8-27(a). Here the signal to be amplified is applied through capacitor C_1 . When the emitter-base junction conducts on the positive half-cycle, C_1 charges to the peak of the applied voltage less the forward drop across the emitter-base junction. On the negative half-cycle of the input, the emitter-base junction is reverse-biased, so the transistor does not conduct. During this time, however, capacitor C_1 discharges through R_1 , producing a negative voltage across R_1 , which serves as a reverse bias on the transistor. By properly adjusting the time constant of R_1 and C_1 , an average dc reverse-bias voltage can be established. The applied voltage causes the transistor to conduct, but only on the peaks. The higher the average dc bias voltage, the narrower the conduction angle and the shorter the duration of the collector current pulses. This method is referred to as *signal bias*.

Signal bias

Figure 8-27 Methods of biasing a class C amplifier. (a) Signal bias. page 265
(b) External bias. (c) Self-bias.



Of course, negative bias can also be supplied to a class C amplifier from a fixed dc supply voltage, as shown in Fig. 8-27(b). After the desired conduction angle is established, the value of the reverse voltage can be determined and applied to the base through the RFC. The incoming signal is then coupled to the base, causing the transistor to conduct on only the peaks of the positive input alternations. This is called *external bias* and requires a separate negative dc supply.

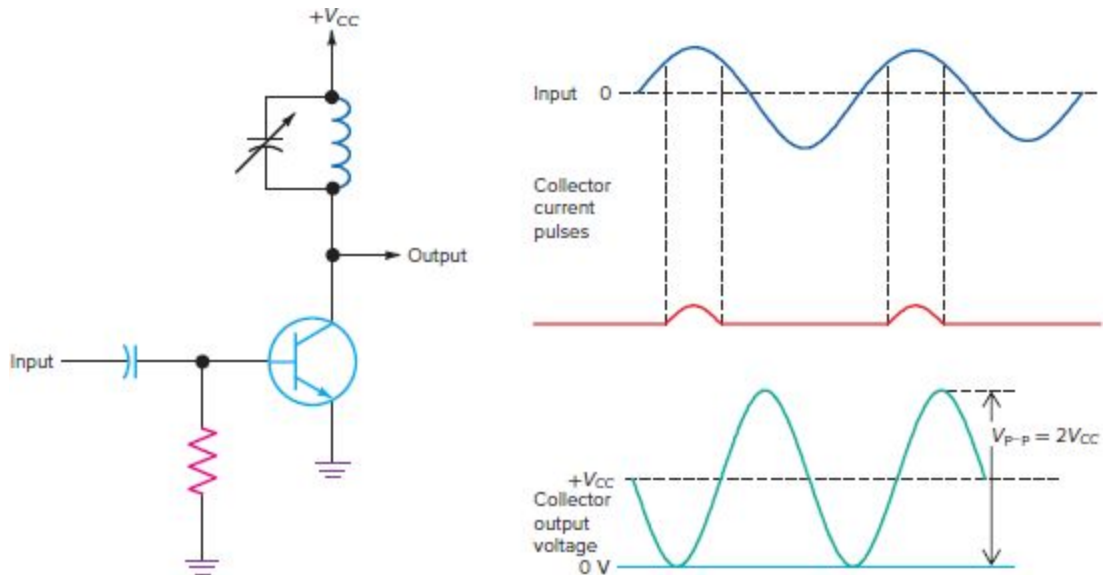
Another biasing method is shown in Fig. 8-27(c). As in the circuit shown in Fig. 8-27(a), the bias is derived from the signal. This arrangement is known as the *self-bias method*. When current flows in the transistor, a voltage is developed across R_1 . Capacitor C_1 is charged and holds the voltage constant. This makes the emitter more positive than the base, which has the same effect as a negative voltage on the base. A strong input signal is required for proper

operation. These circuits also work with an enhancement mode MOSFET.

Self-bias method

Tuned output circuit

Figure 8-28 Class C amplifier operation.



Tuned Output Circuits. All class C amplifiers have some form of tuned circuit connected in the collector, as shown in Fig. 8-28. The primary purpose of this tuned circuit is to form the complete ac sine wave output. A parallel-tuned circuit rings, or oscillates, at its resonant frequency whenever it receives a dc pulse. The pulse charges the capacitor, which, in turn, discharges into the inductor. The magnetic field in the inductor increases and then collapses, inducing a voltage which then recharges the capacitor in the opposite direction. This exchange of energy between the inductor and the capacitor, called the *flywheel effect*, produces a damped sine wave at the resonant frequency. If the resonant circuit receives a pulse of current every half-cycle, the voltage across the tuned circuit is a constant-amplitude sine wave at the resonant frequency. Even

though the current flows through the transistor in short pulses, the class C amplifier output is a continuous sine wave.

Another way to look at the operation of a class C page 266 amplifier is to view the transistor as supplying a highly distorted pulse of power to the tuned circuit. According to Fourier theory, this distorted signal contains a fundamental sine wave plus both odd and even harmonics. The tuned circuit acts as a bandpass filter to select the fundamental sine wave contained in the distorted composite signal.

The tuned circuit in the collector is also used to filter out unwanted harmonics. The short pulses in a class C amplifier are made up of second, third, fourth, fifth, etc., harmonics. In a high-power transmitter, signals are radiated at these harmonic frequencies as well as at the fundamental resonant frequency. Such harmonic radiation can cause out-of-band interference, and the tuned circuit acts as a selective filter to eliminate these higher-order harmonics. If the Q of the tuned circuit is made high enough, the harmonics will be adequately suppressed.

The Q of the tuned circuit in the class C amplifier should be selected so that it provides adequate attenuation of the harmonics but also has sufficient bandwidth to pass the sidebands produced by the modulation process. Remember that the bandwidth and Q of a tuned circuit are related by the expression

$$BW = \frac{f_r}{Q} \quad Q = \frac{f_r}{BW}$$

If the Q of the tuned circuit is too high, then the bandwidth will be very narrow and some of the higher-frequency sidebands will be eliminated. This causes a form of frequency distortion called *sideband clipping* and may make

some signals unintelligible or will at least limit the fidelity of reproduction.

One of the main reasons why class C amplifiers page 267 are preferred for RF power amplification over class A and class B amplifiers is their high efficiency. Remember, efficiency is the ratio of the output power to the input power. If all the generated power, the input power, is converted to output power, the efficiency is 100 percent. This doesn't happen in the real world because of losses. But in a class C amplifier, more of the total power generated is applied to the load. Because the current flows for less than 180° of the ac input cycle, the average current in the transistor is fairly low; i.e., the power dissipated by the device is low. A class C amplifier functions almost as a transistor switch that is off for over 180° of the input cycle. The switch conducts for approximately 90° to 150° of the input cycle. During the time that it conducts, its emitter-to-collector resistance is low. Even though the peak current may be high, the total power dissipation is much less than that in class A and class B circuits. For this reason, more of the dc power is converted to RF energy and passed on to the load, usually an antenna. The efficiency of most class C amplifiers is in the 60 to 85 percent range.

The input power in a class C amplifier is the average power consumed by the circuit, which is simply the product of the supply voltage and the average collector current, or

$$P_{in} = V_{CC}(I_C)$$

For example, if the supply voltage is 13.5 V and the average dc collector current is 0.7 A, the input power is $P_{in} = 13.5(0.7) = 9.45 \text{ W}$.

The output power is the power actually transmitted to the load. The amount of power depends upon the efficiency of

the amplifier. The output power can be computed with the familiar power expression

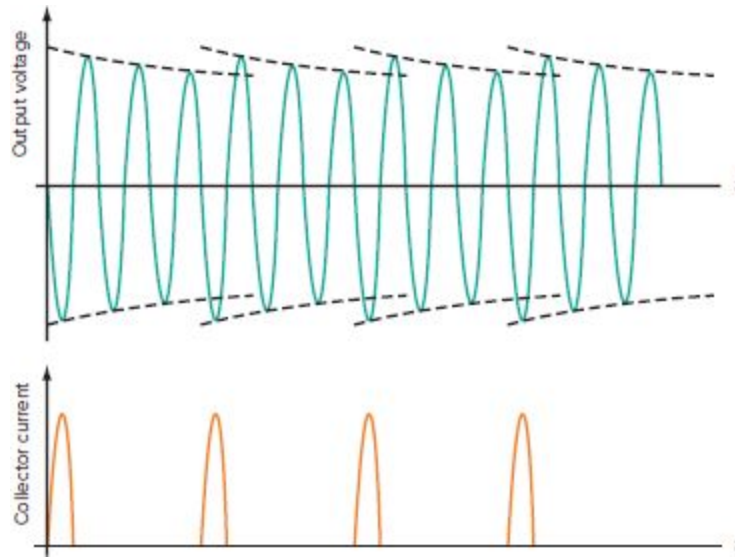
$$P_{\text{out}} = \frac{V^2}{R_L}$$

where V is the RF output voltage at the collector of the amplifier and R_L is the load impedance. When a class C amplifier is set up and operating properly, the peak-to-peak RF output voltage is two times the supply voltage, or $2V_{CC}$ (see Fig. 8-28).

Frequency multiplier

Frequency Multipliers. Any class C amplifier is capable of performing frequency multiplication if the tuned circuit in the collector resonates at some integer multiple of the input frequency. For example, a frequency doubler can be constructed by simply connecting a parallel-tuned circuit in the collector of a class C amplifier that resonates at twice the input frequency. When the collector current pulse occurs, it excites or rings the tuned circuit at twice the input frequency. A current pulse flows for every other cycle of the input. A tripler circuit is constructed in exactly the same way, except that the tuned circuit resonates at three times the input frequency, receiving one input pulse for every 3 cycles of oscillation it produces (see Fig. 8-29).

Figure 8-29 The relationship between transistor current and tuned circuit voltage in a frequency tripler.



Multipliers can be constructed to increase the input frequency by any integer factor up to approximately 10. As the multiplication factor gets higher, the power output of the multiplier decreases. For most practical applications, the best result is obtained with multipliers of 2 and 3.

Another way to look at the operation of a class C frequency multiplier is to remember that the nonsinusoidal current pulse is rich in harmonics. Each time the pulse occurs, the second, third, fourth, fifth, and higher harmonics are generated. The purpose of the tuned circuit in the collector is to act as a filter to select the desired harmonic.

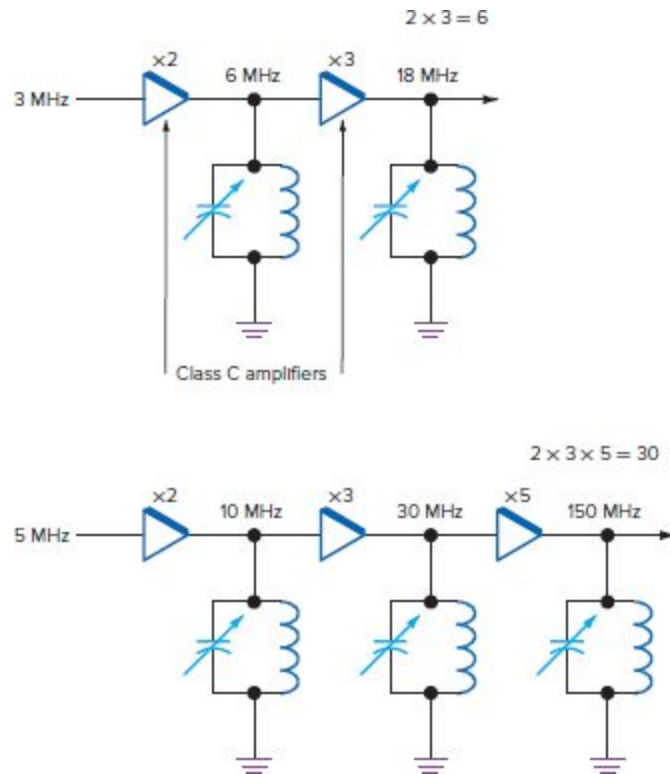
GOOD TO KNOW

Although multipliers can be constructed to increase the input frequency by any integer up to approximately 10, the best results are obtained with multipliers of 2 and 3.

In many applications, a multiplication factor greater than that achievable with a single multiplier stage is required. In such cases, two or more multipliers are cascaded. Fig. 8-30 shows two multiplier examples. In the first case, multipliers of 2 and 3 are cascaded to produce an overall multiplication

of 6. In the second, three multipliers provide an overall multiplication of 30. The total multiplication factor is the product of the multiplication factors of the individual stages.

Figure 8-30 Frequency multiplication with class C amplifiers.



Efficiency

A key specification for all RF power amplifiers, especially linear amplifiers, is their efficiency. Efficiency is simply the ratio of the amplifier power output (P_o) to the total dc power (P_{dc}) used to produce the output, or:

$$\eta = P_o/P_{dc} \times 100$$

Efficiency is the mathematical percentage of DC page 269 input power that is converted into RF power. The ideal, of course, is 100 percent, which cannot be achieved.

Most amplifier designs emphasize good efficiency where possible. Good efficiency means less overall power consumption. Any power not converted to RF is lost as heat dissipated in the power transistors.

Another measure of efficiency is called power-added efficiency (PAE), which takes into consideration the amount of input power needed to drive a higher-power amplifier to maximum output.

$$PAE = (P_o - P_{in})/P_{dc} \times 100$$

Some high-power amplifiers, especially in the VHF/UHF/microwave range, require high driving power, which adds to the overall efficiency rating. For example, it may take 100 watts of drive power to obtain an output power of 1500 watts. The 100 watts of driving power is not insignificant. The PAE rating factors this in.

Linear power amplifiers are the least efficient of all the amplifiers. However, most of the newer digital modulation techniques, such as OFDM, QAM, code division multiple access (CDMA) spread spectrum, and others (to be discussed in Chap. 11) require linear amplification to retain all the modulating information. Poor efficiency is a major issue, especially in cellular base stations where cooling and electrical power costs are major operational considerations.

Class C and switching power amplifiers are the most efficient RF power amplifiers and are used where nonlinear amplification can be used, as with some types of AM, FM, and PM. Otherwise, several special techniques have been developed to improve the efficiency in linear power amplifiers.

Table 8-1 is a summary of the theoretical and practical efficiencies that can be obtained with the basic linear power amplifiers.

Table 8.1	Efficiency Ratings of Linear Power
------------------	-------------------------------------------

Amplifiers		
Amplifier Class	Theoretical Max. Efficiency (%)	Practical Efficiency Range (%)
A	50	10–25
B	78.5	50–65
AB	60	40–50
C	90	65–85

The actual efficiency depends on the design and, in most cases, the input power level. For example, class A and AB amplifiers are most efficient when operated at the maximum possible input level before distortion occurs. Less input results in lower efficiency and significant power lost as heat.

Switching Power Amplifiers

As stated previously, the primary problem with RF power amplifiers is their inefficiency and high power dissipation. To generate RF power to transfer to the antenna, the amplifier must dissipate a considerable amount of power itself. For example, a class A power amplifier using a transistor conducts continuously. It is a linear amplifier whose conduction varies as the signal changes. Because of the continuous conduction, the class A amplifier generates a considerable amount of power that is not transferred to the load. No more than 50 percent of the total power consumed by the amplifier can be transferred to the load. Because of the high-power dissipation, the output power of a class A amplifier is generally limited. For that reason, class A amplifiers are normally used only in low-power transmitter stages.

To produce greater power output, class B amplifiers are used. Each transistor conducts for 180° of the carrier signal. Two transistors are used in a push-pull arrangement to form a complete carrier sine wave. Since each transistor is conducting for only 180° of any carrier cycle, the amount of power it dissipates is considerably less, and efficiencies of 70 to 75 percent are possible. Class C power amplifiers are even more efficient, since they conduct for less than 180° of the carrier signal, relying on the tuned circuit in the plate or collector to supply power to the load when they are not conducting. With current flowing for less than 180° of the cycle, class C amplifiers dissipate less power and can, therefore, transfer more power to the load. Efficiencies as high as about 85 percent can be achieved, and class C amplifiers are therefore the most widely used type in power amplifiers when the type of modulation permits.

Switching amplifier

Another way to achieve high efficiencies in power amplifiers is to use a switching amplifier. A *switching amplifier* is a transistor that is used as a switch and is either conducting or nonconducting. Both bipolar transistors and enhancement mode MOSFETs are widely used in switching-amplifier applications. A bipolar transistor as a switch is either cut off or saturated. When it is cut off, no power is dissipated. When it is saturated, current flow is maximum, but the emitter-collector voltage is extremely low, usually less than 1V. As a result, power dissipation is extremely low.

GOOD TO KNOW

Class D, E, and S amplifiers were originally developed for use in high-power audio applications, but they are now used in radio transmitters.

When enhancement mode MOSFETs are used, the transistor is either cut off or turned on. In the cutoff state, no current flows, so no power is dissipated. When the transistor is conducting, its on resistance between source and drain is usually very low—again, no more than several ohms and typically far less than $1\ \Omega$. As a result, power dissipation is extremely low even with high currents.

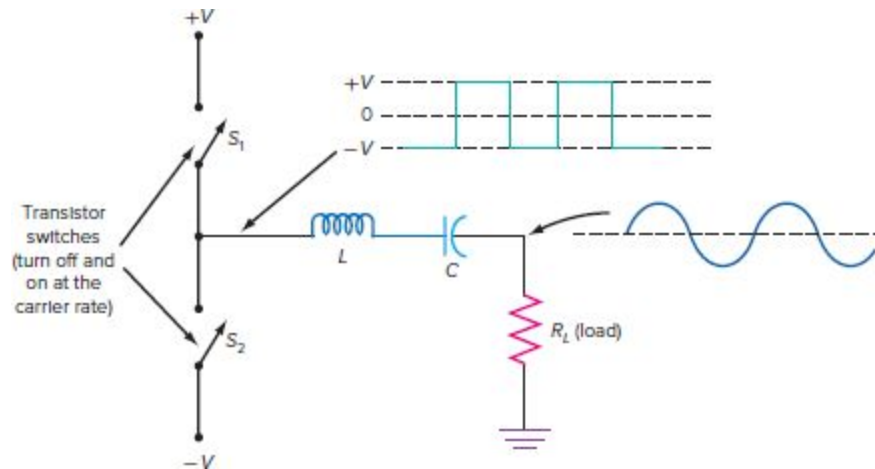
The use of switching power amplifiers permits efficiencies of over 90 percent. The current variations in a switching power amplifier are square waves and thus harmonics are generated. However, these are relatively easy to filter out by the use of tuned circuits and filters between the power amplifier and the antenna.

The three basic types of switching power amplifiers, class D, class E, and class S, were originally developed for high-power audio applications. But with the availability of high-power, high-frequency switching transistors, they are now widely used in radio transmitter design.

Class D Amplifiers. A class D amplifier uses a pair of transistors to produce a square wave current in a tuned circuit. Fig. 8-31 shows the basic configuration of a *class D amplifier*. Two switches are used to apply both positive and negative dc voltages to a load through the tuned circuit. When switch s_1 is closed, s_2 is open; when s_2 is closed, s_1 is open. When s_1 is closed, a positive dc voltage is applied to the load. When s_2 is closed, a negative dc voltage is applied to the load. Thus the tuned circuit and load receive an ac square wave at the input.

Class D amplifier

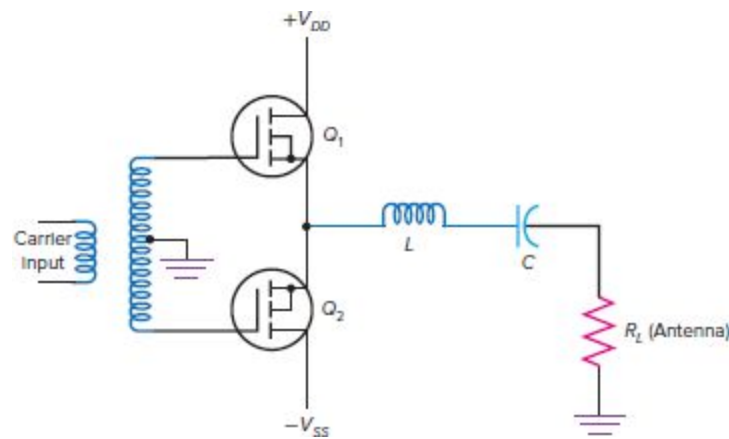
Figure 8-31 Basic configuration of a class D amplifier.



The series resonant circuit has a very high Q . It is page 271 resonant at the carrier frequency. Since the input waveform is a square wave, it consists of a fundamental sine wave and odd harmonics. Because of the high Q of the tuned circuit, the odd harmonics are filtered out, leaving a fundamental sine wave across the load. With ideal switches, that is, no leakage current in the off state and no on resistance when conducting, the theoretical efficiency is 100 percent.

Fig. 8-32 shows a class D amplifier implemented with enhancement mode MOSFETs. The carrier is applied to the MOSFET gates 180° out of phase by use of a transformer with a center-tapped secondary. When the input to the gate of Q_1 is positive, the input to the gate of Q_2 is negative. Thus Q_1 conducts and Q_2 is cut off. On the next half-cycle of the input, the gate to Q_2 goes positive and the gate of Q_1 goes negative. The Q_2 conducts, applying a negative pulse to the tuned circuit. Recall that enhancement mode MOSFETs are normally nonconducting until a gate voltage higher than a specific threshold value is applied, at which time the MOSFET conducts. The on resistance is very low. In practice, efficiencies of up to 90 percent can be achieved by using a circuit like that in Fig. 8-32.

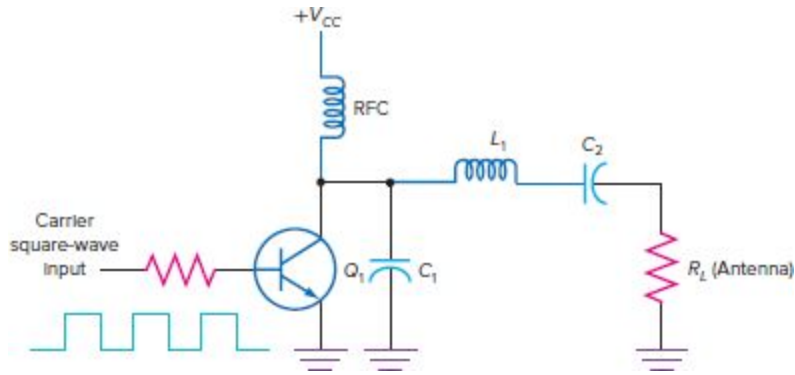
Figure 8-32 A class D amplifier made with enhancement mode MOSFETs. Q_1 is an n-type and Q_2 is a P-type.



Class E and F Amplifiers. In *class E amplifiers*, only a single transistor is used. Both bipolar and MOSFETs can be used, although the MOSFET is preferred because of its low drive requirements. Fig. 8-33 shows a typical class E RF amplifier. The carrier, which may initially be a sine wave, is applied to a shaping circuit that effectively converts it to a square wave. The carrier is usually frequency-modulated. The square wave carrier signal is then applied to the base of the class E bipolar power amplifier. The Q_1 switches off and on at the carrier rate. The signal at the collector is a square wave that is applied to a low-pass filter and tuned impedance-matching circuit made up of C_1 , C_2 , and L_1 . The odd harmonics are filtered out, leaving a fundamental sine wave that is applied to the antenna. A high level of efficiency is achieved with this arrangement.

Class E amplifier

Figure 8-33 A class E RF amplifier.



A *class F amplifier* is a variation of the class E [page 272](#) amplifier. It contains an additional resonant network in the collector or drain circuit. This circuit, a lumped LC or even a tuned transmission line at microwave frequencies, is resonant at the second or third harmonic of the operating frequency. The result is a waveform at the collector (drain) that more closely resembles a square wave. The steeper waveform produces faster transistor switching and better efficiency.

Class F amplifier

RF Power Transistors

Although bipolar transistors are still used in some RF power amplifier (PA) designs, most new designs use FETs. They require less drive, and overall the circuitry is generally simpler. The newer models can achieve power outputs of several hundred watts to frequencies well into the GHz regions. The most widely used devices in modern RF PAs are LDMOS, GaAs HBTs, and GaN HEMT.

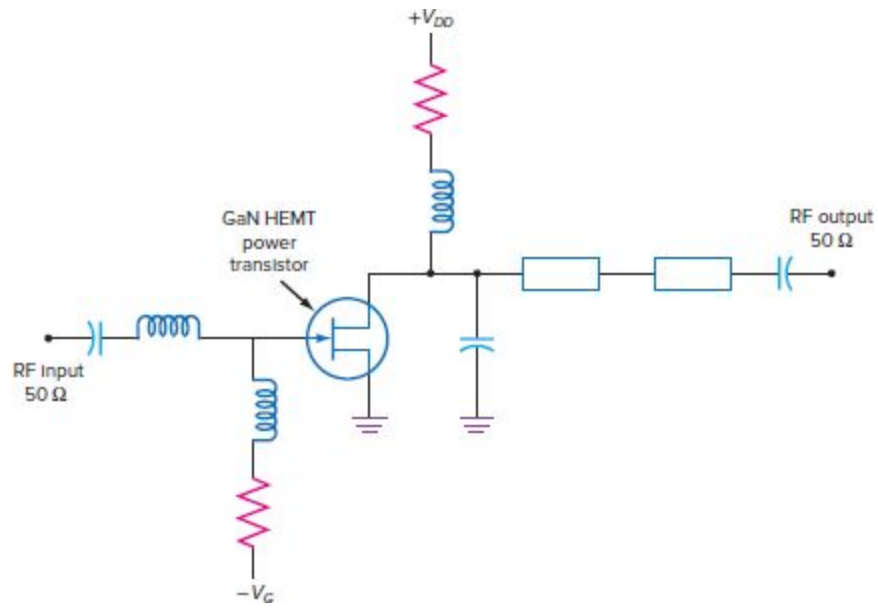
Ldmos Mosfet. The laterally diffused MOS (LDMOS) FET is typically an n-type enhancement-mode MOSFET with extra large elements to handle high power and heat. The geometry of the device is designed to reduce the drain to gate feedback capacitance to extend the high-frequency operating range. LDMOS FETs are widely used in radio

transmitters for cellular base stations. Other RF uses are in radar and high-power transmitters for broadcast and two-way radios. They can accommodate drain supply voltages to 50 volts and power levels of 600 watts per device. LDMOS FETs can operate to frequencies of up to about 4 to 6 GHz.

Gan Hemt. Another type of discrete power FET is one made from gallium nitride (GaN). Those semiconductor materials permit the FET to operate at high drain voltages to 100 volts and drain currents to several amperes. GaN FETs are a type of metal-semiconductor junction FET or MESFET. They are called high-electron-mobility transistors (HEMT). Instead of the metal-semiconductor junction the gate junction of the MESFET, the HEMT uses a heterojunction. A variation called a pseudomorphic or pHEMT uses additional layers of different semiconductor materials, including compounds of indium (In). These layers are optimized to further speed electron transit, pushing their ability to amplify well into the millimeter wave range of 30 to 100 GHz. Supply voltages up to about 100 V can be used.

GaN RF power FETs are of the normally-on depletion-mode pHEMT type and handle heat better than silicon power transistors do. A typical configuration is shown in Fig. 8-34. An amplifier circuit looks like that illustrated in Fig. 8-33 but with the transistor combination shown. They can operate at power levels of tens of watts to frequencies of 30 GHz or more. They are used in radar, satellites, and cellular base stations.

Figure 8-34 A simplified GaN HEMT linear power amplifier.



A GaN HEMT Linear Power Amplifier. Fig. 8-34 shows a simplified GaN power amplifier. The drain supply voltage can be up to about 100 V. Note the negative gate voltage that is used for bias. That bias voltage is supplied by a regulated and temperature-compensated supply. The power level depends on the transistor and its heat sink for heat dissipation. The upper power limit is several hundred watts. The frequency range is 400 MHz to over 10 GHz. New and improved transistors are being developed continuously so those voltage, power, and frequency specifications improve regularly.

Linear Broadband Power Amplifiers

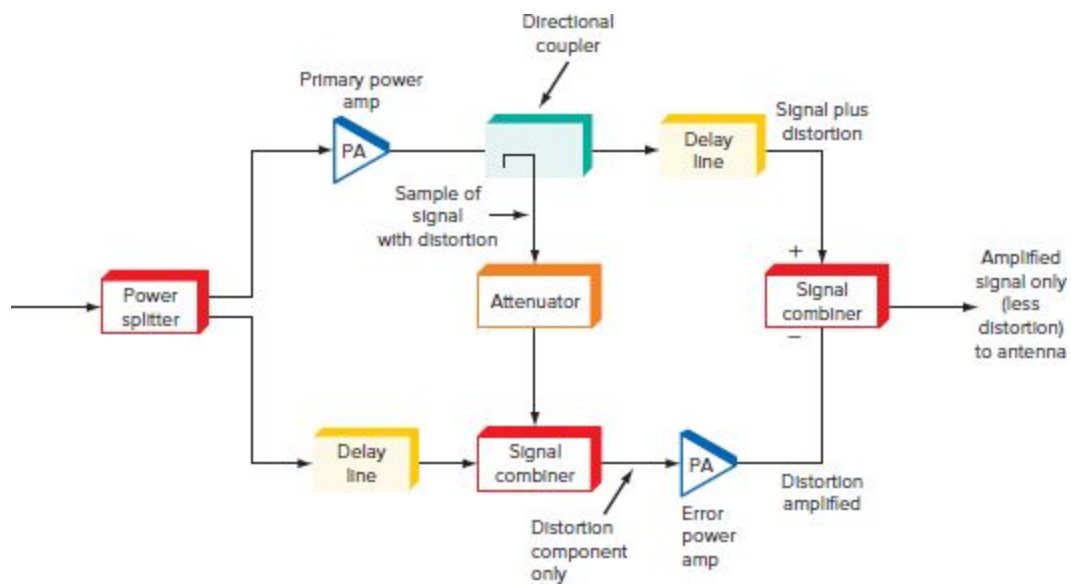
The power amplifiers described so far in this chapter are narrowband amplifiers. They provide high-power output over a relatively small range of frequencies. The bandwidth of the signal to be amplified is set by the modulation method and the frequencies of the modulating signals. In so many applications, the total bandwidth is only a small percentage of the carrier frequency, making conventional *LC* resonant circuits practical. An untuned push-pull power amplifier

described earlier (Fig. 8-25) does have a broader bandwidth up to several megahertz. However, some of the newer wireless systems now require much broader bandwidth. A good example is the code division multiple-access (CDMA) cell phone standard. The CDMA system uses a modulation/multiplexing technique called spread spectrum that does, as its name implies, spread the signal out over a very wide frequency spectrum. The long-term evolution (LTE) cellular technology in modern 4G cell phone systems uses a modulation technique called orthogonal frequency division multiplex (OFDM) along with quadrature amplitude modulation (QAM). Signal bandwidths of 5 to 20 MHz or more are common. Such complex modulation schemes require that the amplification be linear over a wide frequency range to ensure no amplitude, frequency, or phase distortion. Special amplification techniques have been developed to meet this need. Four common methods are discussed here.

Feedforward Amplifier. The concept behind a [page 273](#) feedforward amplifier is that the distortion produced by the power amplifier is isolated and then subtracted from the amplified signal, producing a nearly distortion-free output signal. Fig. 8-35 shows one common implementation of this idea. The wide-bandwidth signal to be amplified is fed to a power splitter that divides the signal into two equal-amplitude signals. A typical splitter may be a transformer-like device or even a resistive network. It maintains the constant impedance, usually 50V, but typically also introduces some attenuation. One-half of the signal is then amplified in a linear power amplifier similar to those broadband class AB amplifiers discussed earlier. A directional coupler is used next to tap off a small portion of the amplified signal that contains the original input information as well as harmonics resulting from distortion. A directional coupler is a simple device that picks up a small

amount of the signal by inductive coupling. It is typically just a short copper line running adjacent to the signal line on a printed-circuit board. At microwave frequencies, a directional coupler may be a more complex device with a coaxial structure. In any case, the sample of the amplified signal is also passed through a resistive attenuator to further reduce the signal level.

Figure 8-35 Feedforward linear power amplifier.



The lower output of the signal splitter is sent to a delay line circuit. A delay line is a low-pass filter or a section of transmission line such as coaxial cable that introduces a specific amount of delay to the signal. It may be a few nanoseconds up to several microseconds depending upon the frequency of operation and the type of power amplifier used. The delay is used to match the delay encountered by the upper input signal in the power amplifier. This delayed signal is then fed to a signal combiner along with the attenuated signal sample from the amplifier output. Amplitude and phase controls are usually provided in both signal paths to ensure that they are of the same amplitude and phase. The combiner may be resistive or a transformer-

like device. In either case, it effectively subtracts the original signal from the amplified signal, leaving only the harmonic distortion.

The harmonic distortion is now amplified by page 274 another power amplifier with a power level equal to that of the upper signal power amplifier. The upper amplifier signal is passed through the directional coupler and into a delay line that compensates for the delay introduced by the lower error signal amplifier. Again, amplitude and phase controls are usually provided to adjust the power levels of the upper and lower signal levels, so they are equal. Finally, the error signal is now subtracted from the amplified combined signal in a signal coupler or combiner. This coupler, like the input splitter, is typically a transformer. The resulting output is the original amplified signal less the distortion.

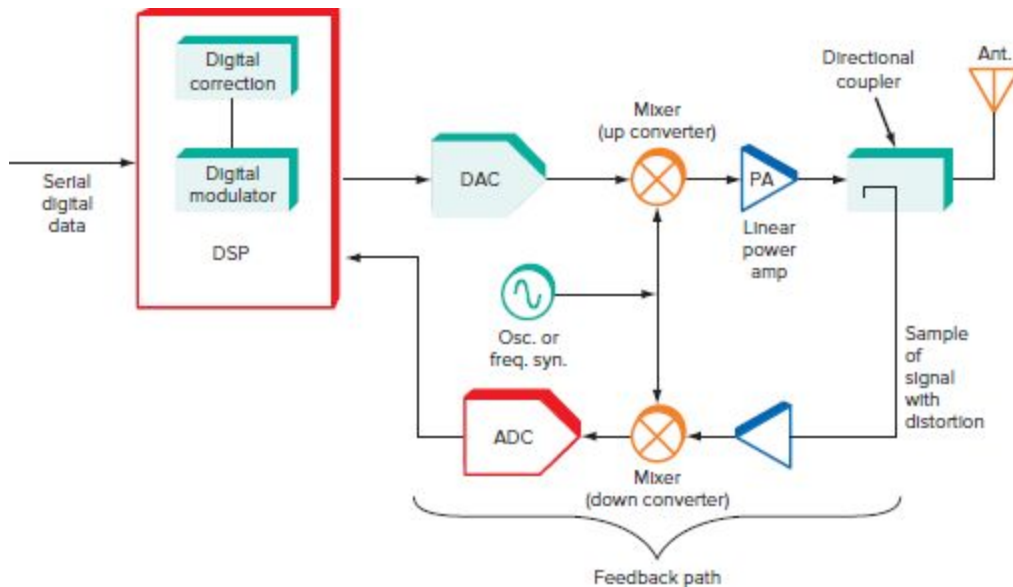
Amplifiers like this are available with power levels of a few watts to over several hundred watts. The system is not perfect as the signal cancellations or subtractions are not precise because of amplitude and phase mismatches. Distortion in the lower power amplifier also contributes to overall output. Yet with close adjustments, these differences can be minimized, thereby greatly improving the linearity of the amplifier over other types. The system is also inefficient because two power amplifiers are required. But the trade-off is wide bandwidth and very low distortion.

Digital Predistortion Amplification. This method of amplification, referred to as digital predistortion (DPD), uses a digital signal processing (DSP) technique to predistort the signal in such a way that when amplified the amplifier distortion will offset or cancel the predistortion characteristics, leaving a distortion-free output signal. The amplified output signal is continuously monitored and used as feedback to the DSP so that the predistortion calculations

can be changed on the fly to provide an inverse predistortion that perfectly matches the amplifier's distortion.

Refer to Fig. 8-36 that shows a representative system. The digitized information signal, in serial format, is fed to a digital correction algorithm in a DSP. Inside the DSP are computing algorithms that feed corrective logic signals to the digital correction algorithm to modify the signal in such a way as to be an inverse match to the distortion produced by the power amplifier.

Figure 8-36 Concept of adaptive predistortion amplification.



Once the corrective action has been taken on the baseband digital signal, it is sent to a modulator that produces the signal to be transmitted. The modulation is handled by the DSP chip itself rather than a separate modulator circuit. This modulated signal is then fed to a digital-to-analog converter (DAC) where it produces the desired analog signal to be transmitted.

Next, the DAC output is sent to a mixer along with a sine wave signal from an oscillator or frequency synthesizer. A

mixer is similar to a low-level amplitude modulator or analog multiplier. Its output consists of the sum and difference of the DAC and synthesizer signals. In this application, the sum signal is selected by a filter making the mixer an upconverter. The synthesizer frequency is chosen so that the mixer output is at the desired operating frequency. Any modulation present is also contained on the mixer output.

The predistorted signal is then amplified in a highly linear class AB power amplifier (PA) and fed to the output antenna. Note in Fig. 8-36 that the output signal is sampled in a directional coupler, amplified, and sent to another mixer used as a down converter. The synthesizer also provides the second input to this mixer. The difference frequency is selected by a filter, and the result is sent to an analog-to-digital converter (ADC). The digital output of the ADC represents the amplified signal plus any distortion produced by the PA. The DSP uses this digital input to modify its algorithm to properly correct for the actual distortion. The signal is then modified by the digital correction algorithm in such a way that most of the distortion is canceled.

While the DPD method of broadband amplification is complex, it provides nearly distortion-free output. Only a single power amplifier is needed, making it more efficient than the feedforward method. Several semiconductor manufacturers make the predistortion circuits needed to make this work.

Envelope Tracking. Envelope tracking (ET) is a technique that allows class A, AB, and B amplifiers to become more efficient. Linear amplifiers must be used to amplify the signals deploying advanced modulation techniques used in 4G and 5G cellular radios, using QAM and OFDM. The ET method provides a way to adopt existing linear amplifiers but increase their efficiency, making them run cooler and use less power.

The advanced modulation methods have wide signal amplitude swings that must be preserved. This condition is generally known as a wide peak-to-average power ratio (PAPR). This leads to the problem inherent in class A amplifiers, where the efficiency is maximum when the signal levels are high and the output is near compression where the signals come closest to the amplifier supply voltage levels. Efficiency is high when the amplifier is near compression where peak clipping occurs. With maximum undistorted signal level, the efficiency can approach the theoretical maximum of 50 percent. However, at lower input signal levels, efficiency drops to a very low level. Efficiencies may be below 10 percent, meaning that most of the dc supply power is dissipated as heat by the RF power transistors.

The ET system tracks the amplitude or page 276 modulation envelope of the RF signal and uses that to control the dc power supply voltage to the amplifier. In other words, the signal amplitude modulates the dc supply voltage. The process is similar to the high-level amplitude modulation technique discussed in Chap. 4 (Fig. 4-12). This allows the amplifier to always remain close to the compression point where the efficiency is greatest.

Fig. 8-37a shows the transmitter stages where the analog baseband signal is fed to the linear RF power amplifier. The power amplifier has a fixed power supply voltage, usually from a DC-DC converter/regulator. The resulting output signal is shown along with the power supply level. The red area indicates the power lost as heat.

Figure 8-37 (a) Conventional RF Power amplifier (PA), (b) PA with envelope tracking.

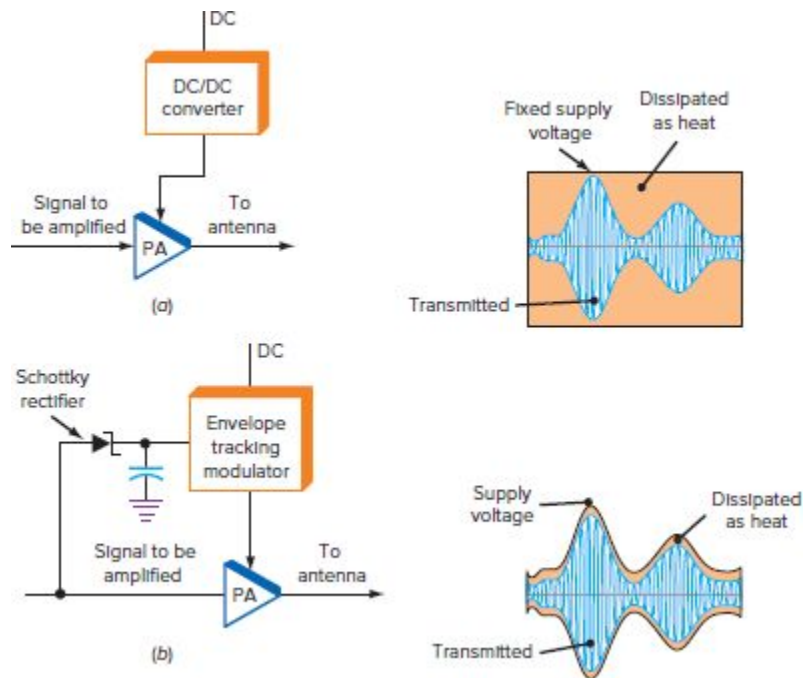


Fig. 8-37*b* illustrates the ET method. The analog baseband signal also drives the power amplifier as before. However, note that the analog signal is passed through a diode rectifier similar to that used in AM demodulation. This rectifier circuit recovers the envelope of the signal and applies it to the ET power supply that supplies voltage to the PA. The dc supply voltage therefore tracks the modulation envelope, keeping the amplifier near compression and operating at maximum efficiency. The ET power supply is essentially a very wide bandwidth DC-DC converter that can adequately follow the signal amplitude and frequency changes. Common dc supply voltage can range from 0.5 to 5 volts.

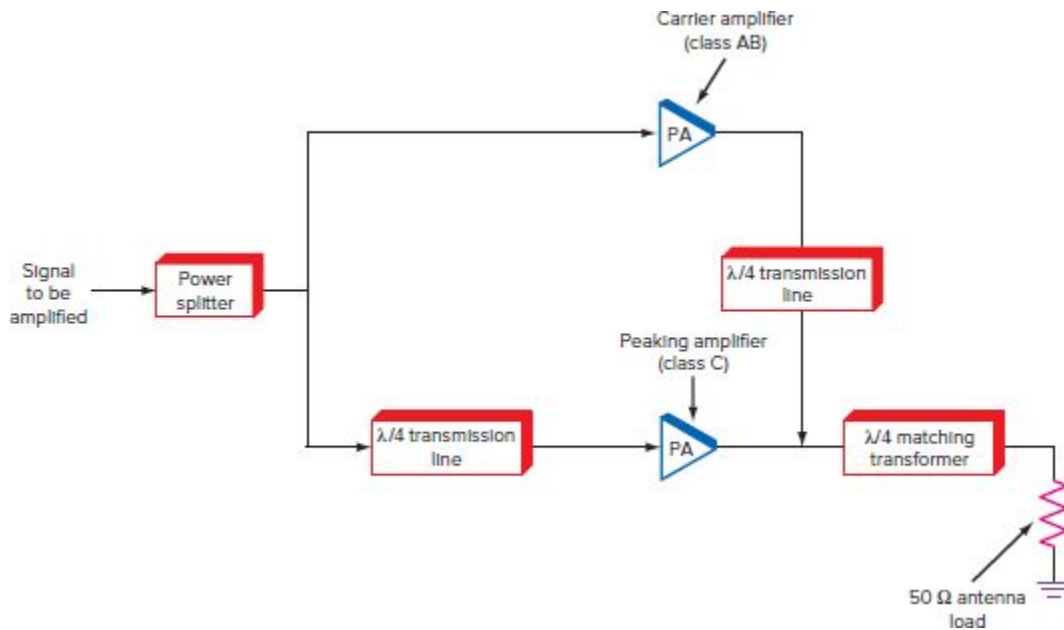
The ET technique is implemented with special ET tracking and dc modulation circuits. These may be in IC form or be fully integrated into another IC. The ET technique is widely used in cellular base station power amplifiers as well as in cellphone handsets using 4G (LTE) and 5G digital wireless technologies. Practical efficiencies can be as high as 40 to 50 percent, delivering considerable power and heat savings in base stations and providing longer battery life and cooler

operation in a cell phone. The ET technique is also widely used in combination with the DPD technique, described earlier, to provide even greater linearity and higher efficiencies.

Doherty Amplifier. The Doherty amplifier is a [page 277](#) unique design using two amplifiers that work together to maintain linearity while improving efficiency. The design originated in 1938 as an attempt to bring greater power and efficiency to high-power vacuum tube shortwave radio amplifiers. The design has now been widely adopted in power amplifiers for multiband, multimode cellular base stations.

Fig. 8-38 shows the basic Doherty arrangement. The main carrier amplifier is a linear class AB circuit, and the peaking amplifier is usually a class C amplifier. Both amplifiers supply power to the load (antenna), creating what is referred to as a load-pulling circuit whose impedance changes with signal levels. The carrier amplifier supplies power to the load at the lower input signal levels and the peaking amplifier switches in at the higher power levels.

Figure 8-38 A Doherty power amplifier.



The signal to be amplified is split equally by a power divider circuit. The signal goes directly to the carrier amplifier and through a quarter wavelength ($\lambda/4$) transmission line that provides a 90-degree phase shift of the signal to the peaking amplifier. The transmission line is usually a short copper pattern on the amplifier printed circuit board (PCB). At low signal levels, the peaking amplifier bias keeps it cut off so that it does not supply power to the load. The carrier amplifier operates near compression to maintain high efficiency and supplies power to the load. At higher input levels, the peaking amplifier cuts in and supplies more power to the load.

The amplifiers deliver power to the load by a $\lambda/4$ transmission line used as an impedance converter and another $\lambda/4$ line used as an impedance transformer. These transmission lines combined provide dynamic load impedance adaption for the amplifiers to increase efficiency. The $\lambda/4$ lines provide a way to modulate the load impedance so as to ensure that the amplifiers operate to supply maximum power with the best efficiency. (The characteristics and operation of transmission lines are covered in Chap. 13.)

Doherty amplifiers used today are made with GaN HEMT FETs because of their high-power, high-frequency capability. They operate in the 700 MHz to 3 GHz range. The typical 12 to 20 percent efficiency of a class AB linear amplifier is boosted to the 25 to 40 percent range with the Doherty configuration. Most Doherty amplifiers are combined with the DPD linearization technique described earlier to deliver increased efficiency.

8-4 Impedance-Matching Networks

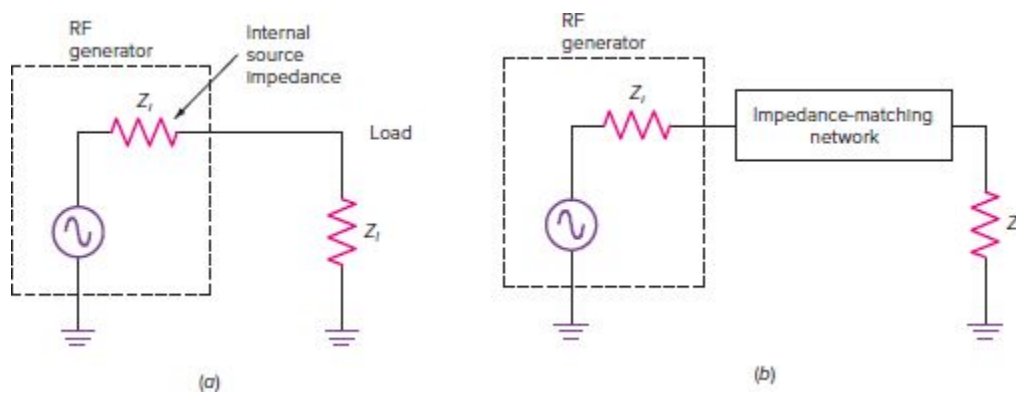
Matching networks that connect one stage to another are very important parts of any transmitter. In a typical transmitter, the oscillator generates the basic carrier signal, which is then amplified, usually by multiple stages, before it reaches the antenna. Since the idea is to increase the power of the signal, the interstage coupling circuits must permit an efficient transfer of power from one stage to the next. Finally, some means must be provided to connect the final amplifier stage to the antenna, again for the purpose of transferring the maximum possible amount of power. The circuits used to connect one stage to another are known as *impedance-matching networks*. In most cases, they are LC circuits, transformers, or some combination. The basic function of a matching network is to provide for an optimum transfer of power through impedance-matching techniques. Matching networks also provide filtering and selectivity. Transmitters are designed to operate on a single frequency or selectable narrow ranges of frequencies. The various amplifier stages in the transmitter must confine the RF generated to these frequencies. In class C, D, and E amplifiers, a considerable number of high-amplitude harmonics are generated. These must be eliminated to

prevent spurious radiation from the transmitter. The impedance-matching networks used for interstage coupling accomplish this.

Impedance-matching network

The basic problem of coupling is illustrated in Fig. 8-39(a). The driving stage appears as a signal source with an internal impedance of Z_i . The stage being driven represents a load to the generator with its internal resistance of Z_L . Ideally, Z_i and Z_L are resistive. Recall that maximum power transfer in dc circuits takes place when Z_i equals Z_L . This basic relationship is essentially true also in RF circuits, but it is a much more complex relationship. In RF circuits, Z_i and Z_L are seldom purely resistive and, in fact, usually include a reactive component of some type. Further, it is not always necessary to transfer maximum power from one stage to the next. The goal is to transfer a sufficient amount of power to the next stage so that it can provide the maximum output of which it is capable.

Figure 8-39 Impedance matching in RF circuits.



In most cases, the two impedances involved are considerably different from each other, and therefore a very inefficient transfer of power takes place. To overcome this problem, an impedance-matching network is introduced between the two, as illustrated in Fig. 8-39(b). There are

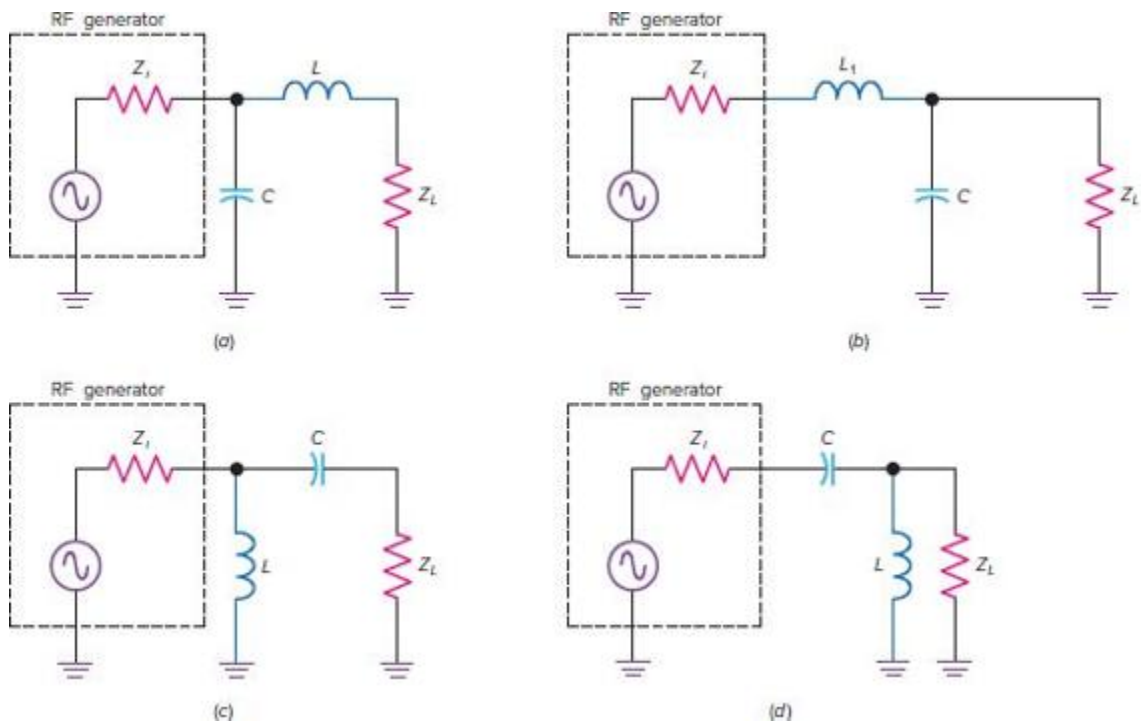
three basic types of LC impedance-matching networks: the L network, the T network, and the π network.

Networks

L networks consist of an inductor and a capacitor connected in various L-shaped configurations, as shown in Fig. 8-40. The circuits in Fig. 8-40(a) and (b) are low-pass filters; those in Fig. 8-40(c) and (d) are high-pass filters. Typically, low-pass networks are preferred so that harmonic frequencies are filtered out.

L network

Figure 8-40 Four L-type impedance-matching networks. (a) $Z_L < Z_i$. (b) $Z_L > Z_i$. (c) $Z_L < Z_i$. (d) $Z_L > Z_i$. page 279

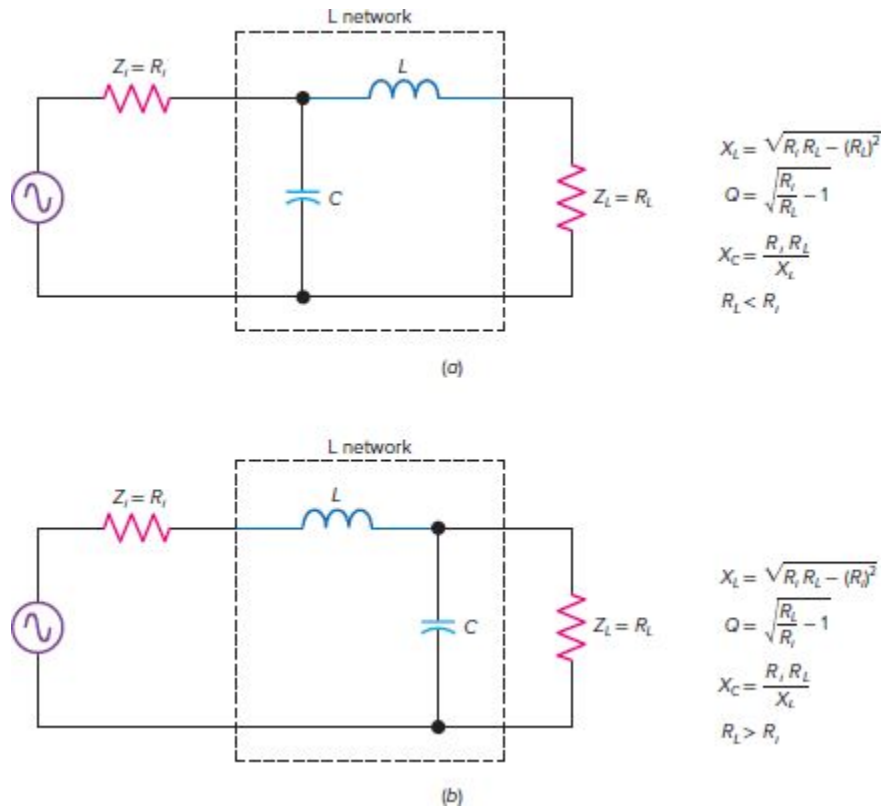


The L-matching network is designed so that the load impedance is matched to the source impedance. For example, the network in Fig. 8-40(a) causes the load resistance to appear larger than it actually is. The load

resistance Z_L appears in series with the inductor of the L network. The inductor and the capacitor are chosen to resonate at the transmitter frequency. When the circuit is at resonance, X_L equals X_C . To the generator impedance Z_i , the complete circuit appears as a parallel resonant circuit. At resonance, the impedance represented by the circuit is very high. The actual value of the impedance depends upon the L and C values and the Q of the circuit. The higher the Q , the higher the impedance. The Q in this circuit is basically determined by the value of the load impedance. By proper selection of the circuit values, the load impedance can be made to appear as any desired value to the source impedance as long as Z_i is greater than Z_L .

By using the L network shown in Fig. 8-41(b), the impedance can be stepped down, or made to appear much smaller than it actually is. With this arrangement, the capacitor is connected in parallel to the load impedance. The parallel combination of C and Z_L has an equivalent series RC combination. Both C and Z_L appear as equivalent series values C_{eq} and Z_{eq} . The result is that the overall network appears as a series resonant circuit, with C_{eq} and L resonant. Recall that a series resonant circuit has a very low impedance at resonance. The impedance is, in fact, the equivalent load impedance Z_{eq} , which is resistive.

Figure 8-41 The L network design equations.



The design equations for L networks are given in Fig. 8-41. Assuming that the internal source and load impedances are resistive, $Z_i = R_i$ and $Z_L = R_L$. The network in Fig. 8-41(a) assumes $R_L < R_i$, and the network in Fig. 8-41(b) assumes $R_i < R_L$.

Suppose we wish to match a $6\text{-}\Omega$ transistor amplifier impedance to a $50\text{-}\Omega$ antenna load at 155 MHz. In this case, $R_i < R_L$, so we use the formulas in Fig. 8-40(b).

$$X_L = \sqrt{R_i R_L - (R_i)^2} = \sqrt{6(50) - (6)^2} = \sqrt{300 - 36} = \sqrt{264} = 16.25 \Omega$$

$$Q = \sqrt{\frac{R_L}{R_i} - 1} = \sqrt{\frac{50}{6} - 1} = 2.7$$

$$X_C = \frac{R_i R_L}{X_L} = \frac{50(6)}{16.25} = 18.46 \Omega$$

To find the values of L and C at 155 MHz, we page 280 rearrange the basic reactance formulas as follows:

$$X_L = 2\pi fL$$

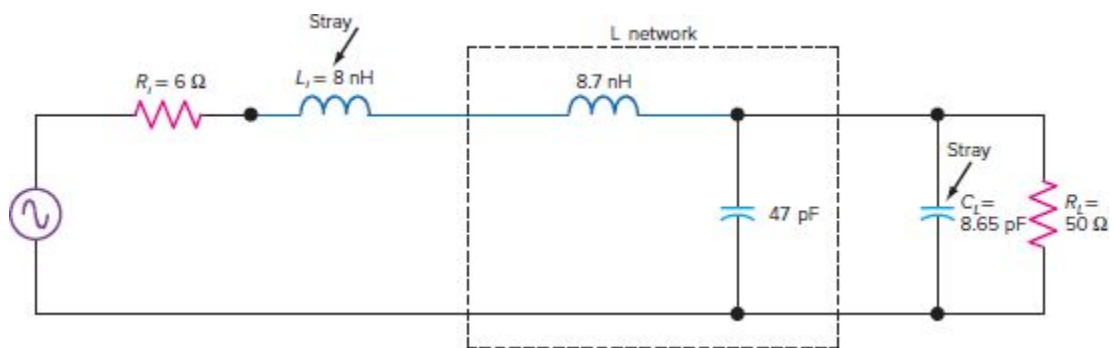
$$L = \frac{X_L}{2\pi f} = \frac{16.25}{6.28 \times 155 \times 10^6} = 16.7 \text{ nH}$$

$$X_C = \frac{1}{2\pi fC}$$

$$C = \frac{1}{2\pi fX_C} = \frac{1}{6.28 \times 155 \times 10^6 \times 18.46} = 55.65 \text{ pF}$$

In most cases, internal and stray reactances make the internal impedance and load impedances complex, rather than purely resistive. Fig. 8-42 shows an example using the figures given above. Here the internal resistance is $6\ \Omega$, but it includes an internal inductance L_i of 8 nH. There is a stray capacitance C_L of 8.65 pF across the load. The way to deal with these reactances is simply to combine them with the L network values. In the example above, the calculation calls for an inductance of 16.7 nH. Since the stray inductance is in series with the L network inductance in Fig. 8-42, the values will add. As a result, the L network inductance must be less than the computed value by an amount equal to the stray inductance of 8 nH, or $L = 16.7 - 8 = 8.7 \text{ nH}$. If the L network inductance is made to be 8.7 nH, the total circuit inductance will be correct when it adds to the stray inductance.

Figure 8-42 Incorporating internal and stray reactances into a matching network.



A similar thing occurs with capacitance. The circuit calculations above call for a total of 55.65 pF. The L network capacitance and the stray capacitance add, for they are in parallel. Therefore, the L network capacitance can be less than the calculated value by the amount of the stray capacitance, or $C = 55.65 - 8.65 = 47$ pF. Making the L network capacitance 47 pF gives the total correct capacitance when it adds to the stray capacitance.

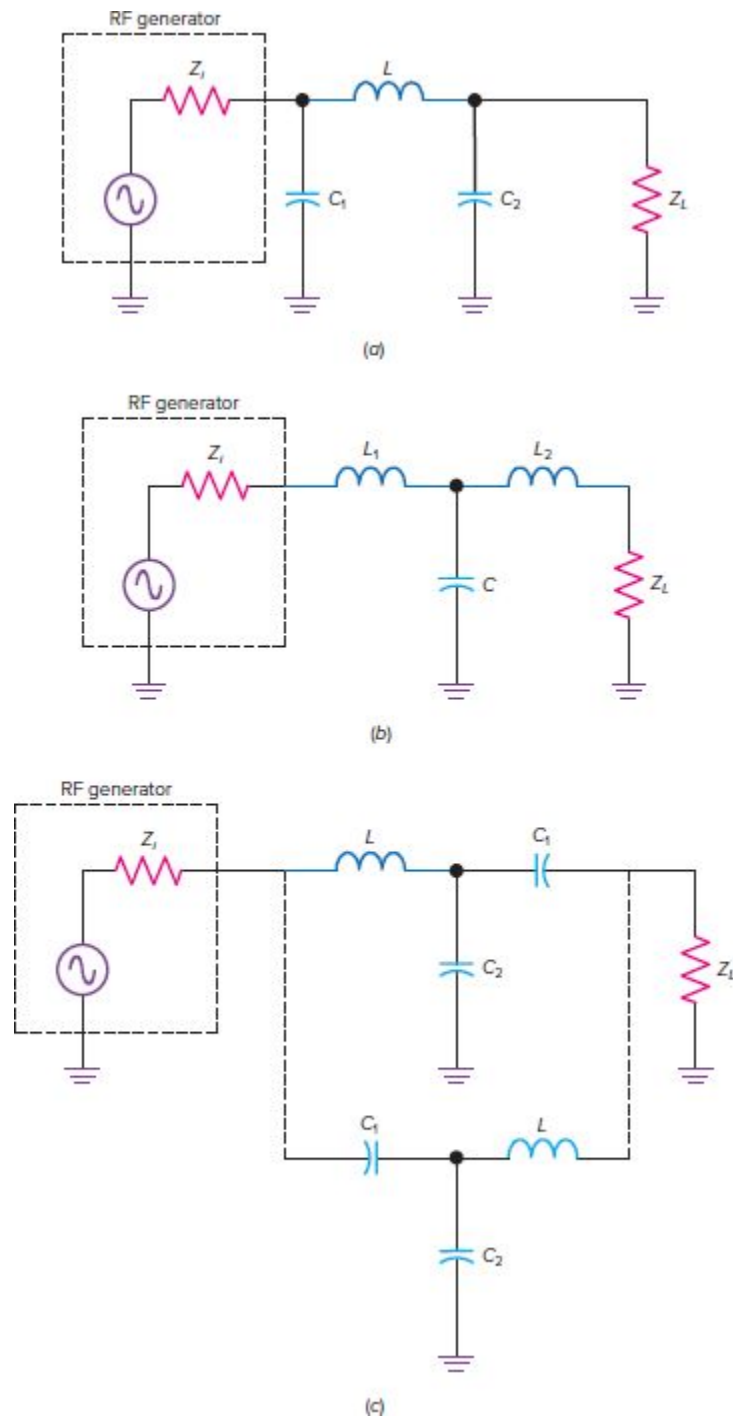
T and π Networks

When one is designing L networks, there is very little control over the Q of the circuit, which is determined by the values of the internal and load impedances and may not always be what is needed to achieve the desired selectivity. To overcome this problem, matching networks using three reactive elements can be used. The three most widely used impedance-matching networks containing three reactive components are illustrated in Fig. 8-43. The network in Fig. 8-43(a) is known as a π network because its configuration resembles the Greek letter π . The circuit in Fig. 8-43(b) is known as a T network because the circuit elements resemble the letter T. The circuit in Fig. 8-43(c) is also a T network, but it uses two capacitors. Note that all are low-pass filters that provide maximum harmonic attenuation. The π and T networks can be designed to either step up or step down the impedance as required by the circuit. The capacitors are usually made variable so that the circuit can be tuned to resonance and adjusted for maximum power output.

π network

T network

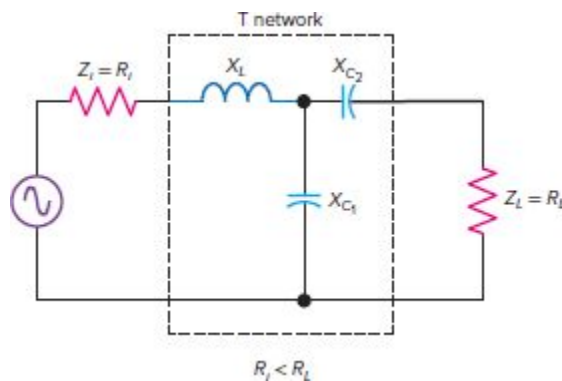
Figure 8-43 Three-element matching networks. (a) π network. (b) T network. (c) Two-capacitor T network.



The most widely used of these circuits is the T network of Fig. 8-43(c). Often called an *LCC* network, it is used to match the low output impedance of a transistor power amplifier to the higher impedance of another amplifier or an antenna. The design procedure and formulas are given in Fig. 8-44.

Suppose once again that a $6\text{-}\Omega$ source R_i is to be matched to a $50\text{-}\Omega$ load R_L at 155 MHz. Assume a Q of 10. (For class C operation, where many harmonics must be attenuated, it has been determined in practice that a Q of 10 is the absolute minimum needed for satisfactory suppression of the harmonics.) To configure the LCC network, the inductance is calculated first:

Figure 8-44 Design equations for an LCC T network.



Design Procedure:

1. Select a desired circuit Q
2. Calculate $X_L = QR_i$
3. Calculate X_{C_1} :

$$X_{C_2} = R_L \sqrt{\frac{R_i(Q^2 + 1)}{R_L} - 1}$$

4. Calculate X_{C_2} :

$$X_{C_1} = \frac{R_i(Q^2 + 1)}{Q} \times \frac{1}{1 - \frac{X_{C_2}}{QR_L}}$$

5. Compute final L and C values:

$$L = \frac{X_L}{2\pi f}$$

$$C = \frac{1}{2\pi f X_C}$$

Next, C_2 is calculated:

$$X_{C_2} = 50 \sqrt{\frac{6(101)}{50} - 1} = 50(3.33) = 166.73 \text{ }\Omega$$

$$C_2 = \frac{1}{2\pi f X_C} = \frac{1}{6.28 \times 155 \times 10^6 \times 166.73} = 6.16 \times 10^{-12} = 6.16 \text{ pF}$$

Finally, C_1 is calculated

$$X_{C_1} = \frac{6(10^2 + 1)}{10} \frac{1}{1 - 166.73/(10 \times 50)} = 60.6(1.5) = 91 \Omega$$

$$C_1 = \frac{1}{2\pi f X_C} = \frac{1}{6.28 \times 155 \times 10^6 \times 91} = 11.3 \text{ pF}$$

Transformers and Baluns

One of the best impedance-matching components is the *transformer*. Recall that iron-core transformers are widely used at lower frequencies to match one impedance to another. Any load impedance can be made to look like a desired load impedance by selecting the correct value of the transformer turns ratio. In addition, transformers can be connected in unique combinations called *baluns* to match impedances.

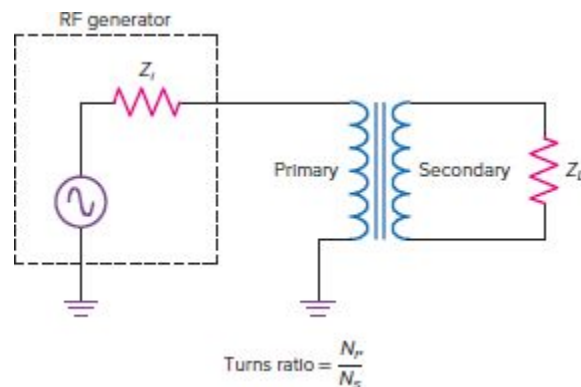
Transformer

Baluns

Transformer Impedance Matching. Refer to Fig. 8-45. The relationship between the turns ratio and the input and output impedances is

$$\frac{Z_i}{Z_L} = \left(\frac{N_P}{N_S}\right)^2 \quad \frac{N_P}{N_S} = \sqrt{\frac{Z_i}{Z_L}}$$

Figure 8-45 Impedance matching with an iron-core transformer.



That is, the ratio of the input impedance Z_i to the load impedance Z_L is equal to the square of the ratio of the number of turns on the primary N_p to the number of turns on the secondary N_s . For example, to match a generator impedance of $6\ \Omega$ to a $50\text{-}\Omega$ load impedance, the turns ratio should be as follows:

GOOD TO KNOW

Although air-core transformers are used widely at radio frequencies, they are less efficient than iron-core transformers.

$$\frac{N_p}{N_s} = \sqrt{\frac{Z_i}{Z_L}} = \sqrt{\frac{6}{50}} = \sqrt{0.12} = 0.3464$$
$$\frac{N_s}{N_p} = \frac{1}{N_p/N_s} = \frac{1}{0.3464} = 2.887$$

This means that there are 2.89 times as many turns on the secondary as on the primary.

The relationship given above holds true only on [page 284](#) iron-core transformers. When air-core transformers are used, the coupling between primary and secondary windings is not complete and therefore the impedance ratio is not as indicated. Although air-core transformers are widely used at Fs and can be used for impedance matching, they are less efficient than iron-core transformers.

Ferrite (magnetic ceramic) and powdered iron can be used as core materials to provide close coupling at very high frequencies. Both the primary and secondary windings are wound on a core of the chosen material.

The most widely used type of core for RF transformers is the toroid. A *toroid* is a circular, doughnut-shaped core, usually made of a special type of powdered iron. Copper wire is wound on the toroid to create the primary and secondary windings. A typical arrangement is shown in Fig.

8-46. Single-winding tapped coils called *autotransformers* are also used for impedance matching between RF stages. Fig. 8-47 shows impedance step-down and step-up arrangements. Toroids are commonly used in autotransformers.

Toroid

Autotransformer

Figure 8-46 A toroid transformer.

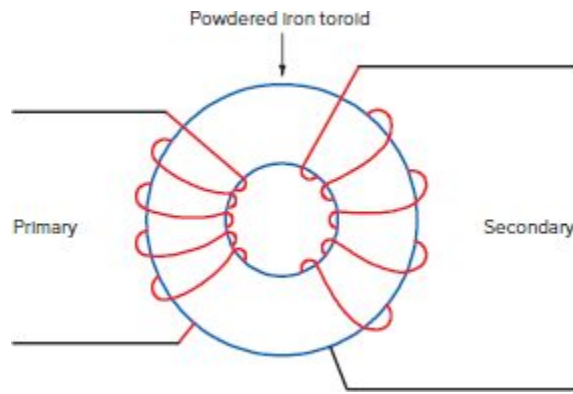
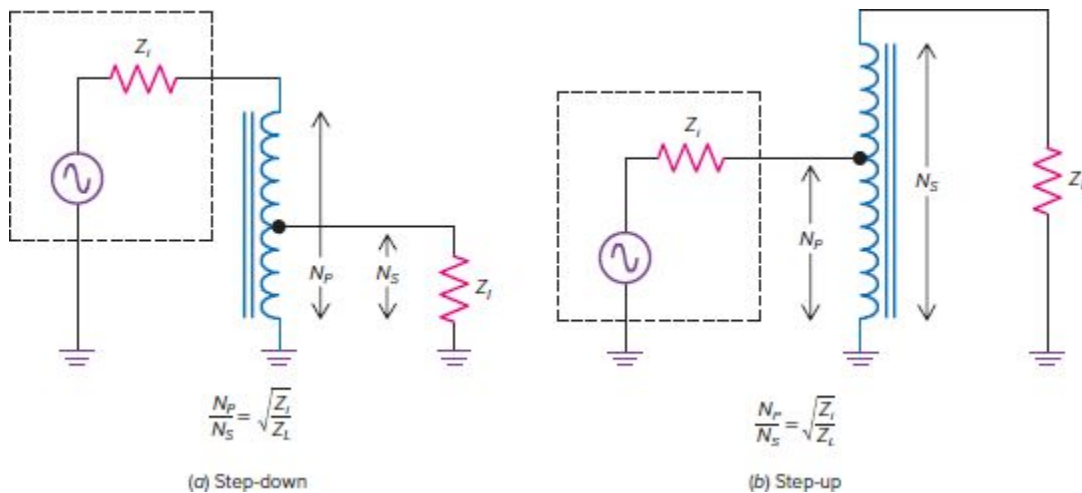


Figure 8-47 Impedance matching in an autotransformer. (a) Step down. (b) Step up.



Unlike air-core transformers, toroid transformers cause the magnetic field produced by the primary to be completely

contained within the core itself. This has two important advantages. First, a toroid does not radiate RF energy. Air-core coils radiate because the magnetic field produced around the primary is not contained. Transmitter and receiver circuits using air-core coils are usually contained with magnetic shields to prevent them from interfering with other circuits. The toroid, on the other hand, confines all the magnetic fields and does not require shields. Second, most of the magnetic field produced by the primary cuts the turns of the secondary winding. Thus the basic turns ratio, input-output voltage, and impedance formulas for standard low-frequency transformers apply to high-frequency toroid transformers.

In most new RF designs, toroid transformers are used for RF impedance matching between stages. Further, the primary and secondary windings are sometimes used as inductors in tuned circuits. Alternatively, toroid inductors can be built. Powdered iron-core toroid inductors have an advantage over air-core inductors for RF applications because the high permeability of the core causes the inductance to be high. Recall that whenever an iron core is inserted into a coil of wire, the inductance increases dramatically. For RF applications, this means that the desired values of inductance can be created by using fewer turns of wire, and thus the inductor itself can be smaller. Further, fewer turns have less resistance, giving the coil a higher Q than that obtainable with air-core coils.

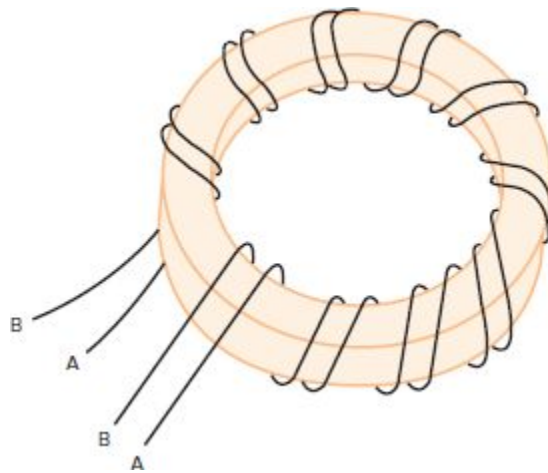
Powdered iron toroids are so effective that they have virtually replaced air-core coils in most modern transmitter designs. They are available in sizes from a fraction of an inch to several inches in diameter. In most applications, a minimum number of turns are required to create the desired inductance.

Transmission Line Transformers and Baluns

A *transmission line* or *broadband transformer* is a unique type of transformer that is widely used in power amplifiers for coupling between stages and impedance matching. Such a transformer is usually constructed by winding two parallel wires (or a twisted pair) on a toroid, as shown in Fig. 8-48. The length of the winding is typically less than one-eighth wavelength at the lowest operating frequency. This type of transformer acts as a 1:1 transformer at the lower frequencies but more as a transmission line at the highest operating frequency.

Transmission line transformer

Figure 8-48 A transmission line transformer.



Transformers can be connected in unique ways to provide fixed impedance-matching characteristics over a wide range of frequencies. One of the most widely used configurations is shown in Fig. 8-49. With this configuration, a transformer is usually wound on a toroid, and the numbers of primary and secondary turns are equal, giving the transformer a 1:1 turns ratio and a 1:1 impedance-matching ratio. The dots

indicate the phasing of the windings. Note the unusual way in which the windings are connected. A transformer connected in this way is generally known as a *balun* (from *balanced-unbalanced*) because such transformers are normally used to connect a balanced source to an unbalanced load or vice versa. In the circuit of Fig. 8-49(a), a balanced generator is connected to an unbalanced (grounded) load. In Fig. 8-49(b), an unbalanced (grounded) generator is connected to a balanced load.

Balun

Figure 8-49 Balun transformers used for connecting balanced and unbalanced loads or generators. (a) Balanced to unbalanced. (b) Unbalanced to balanced. page 286

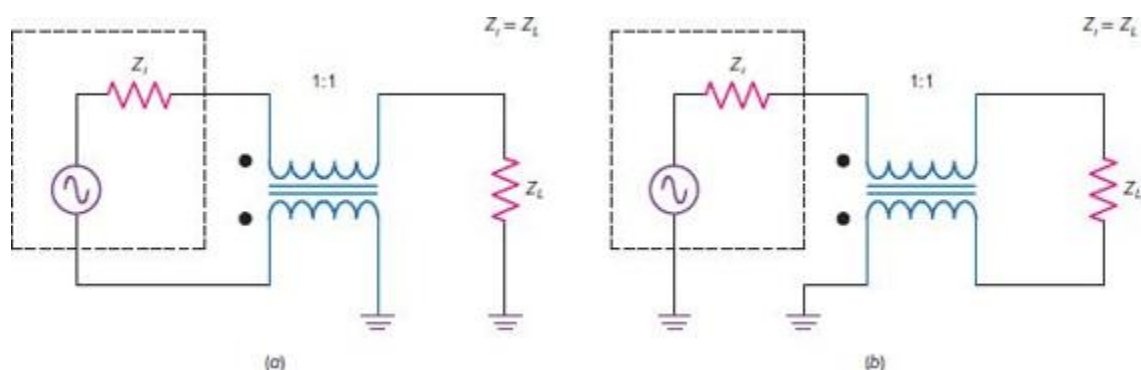
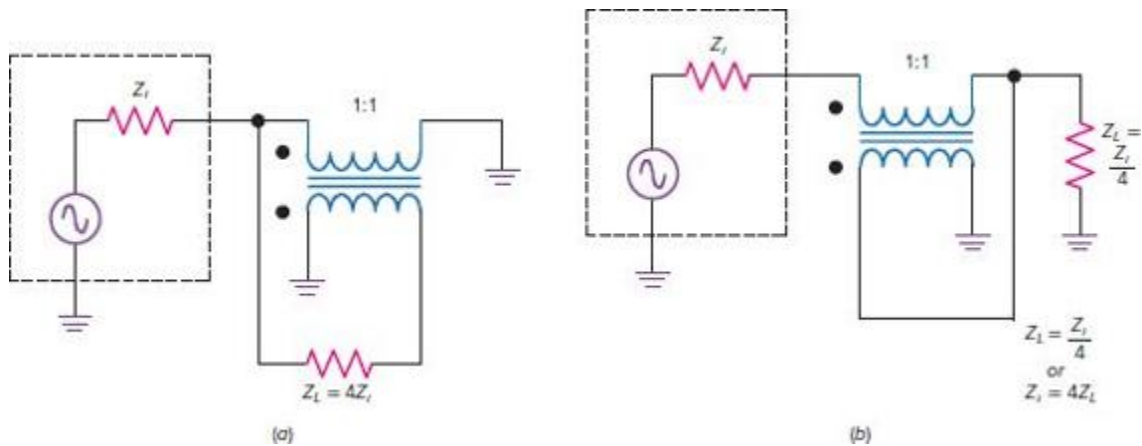


Fig. 8-50 shows two ways in which a 1:1 turns ratio balun can be used for impedance matching. With the arrangement shown in Fig. 8-49(a), an impedance step-up is obtained. A load impedance of four times the source impedance Z_i provides a correct match. The balun makes the load of $4Z_i$ look like Z_i . In Fig. 8-50(b), an impedance step-down is obtained. The balun makes the load Z_L look like $Z_i/4$.

Figure 8-50 Using a balun for impedance matching. (a) Impedance step up. (b) Impedance step down.



Many other balun configurations, offering different impedance ratios, are possible. Several common 1:1 baluns can be interconnected for both 9:1 and 16:1 impedance transformation ratios. In addition, baluns can be cascaded so that the output of one appears as the input to the other, and so on. Cascading baluns allow impedances to be stepped up or stepped down by wider ratios.

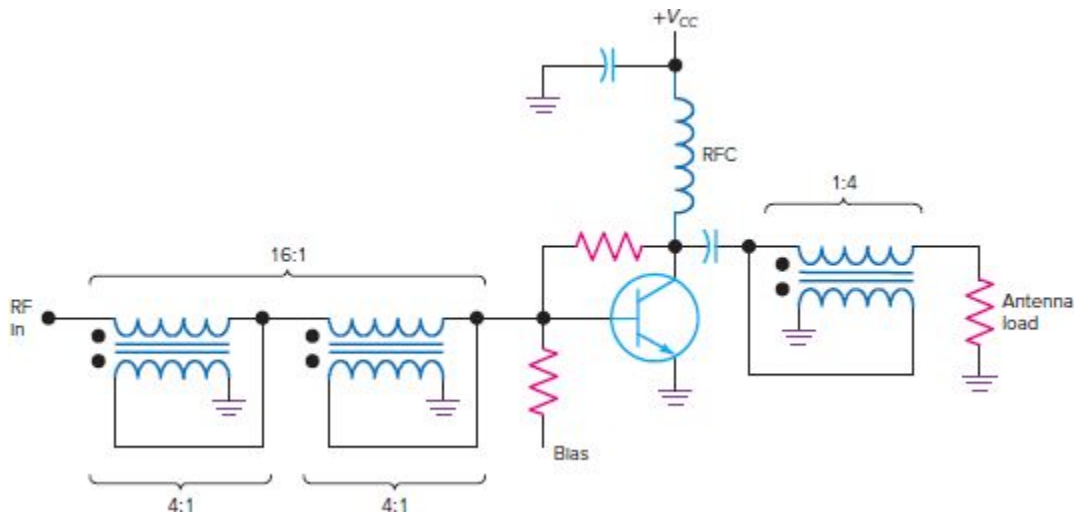
Note that the windings in a balun are not resonated with capacitors to a particular frequency. The winding inductances are made such that the coil reactances are four or more times that of the highest impedance being matched. This design allows the transformer to provide the designated impedance matching over a tremendous range of frequencies. This broadband characteristic of balun transformers allows designers to construct broadband RF power amplifiers. Such amplifiers provide a specific amount of power amplification over a wide bandwidth and are thus particularly useful in communication equipment that must operate in more than one frequency range. Rather than have a separate transmitter for each desired band, a single transmitter with no tuning circuits can be used.

When conventional tuned amplifiers are used, page 287 some method of switching the correct tuned circuit into the circuit must be provided. Such switching networks are complex and expensive. Further, they introduce

problems, particularly at high frequencies. For them to perform effectively, the switches must be located very close to the tuned circuits so that stray inductances and capacitances are not introduced by the switch and the interconnecting leads. One way to overcome the switching problem is to use a broadband amplifier, which does not require switching or tuning. The broadband amplifier provides the necessary amplification as well as impedance matching. However, broadband amplifiers do not provide the filtering necessary to get rid of harmonics. One way to overcome this problem is to generate the desired frequency at a lower power level, allowing tuned circuits to filter out the harmonics, and then provide final power amplification with the broadband circuit. The broadband power amplifier operates as a linear class A or class B push-pull circuit so that the inherent harmonic content of the output is very low.

Fig. 8-51 shows a typical broadband linear amplifier. Note that two 4:1 balun transformers are cascaded at the input so that the low base input impedance is made to look like an impedance 16 times higher than it is. The output uses a 1:4 balun that steps up the very low output impedance of the final amplifier to an impedance four times higher to equal the antenna load impedance. In some transmitters, broadband amplifiers are followed by low-pass filters, which are used to eliminate undesirable harmonics in the output.

Figure 8-51 A broadband class A linear power amplifier.



8-5 Typical Transmitter Circuits

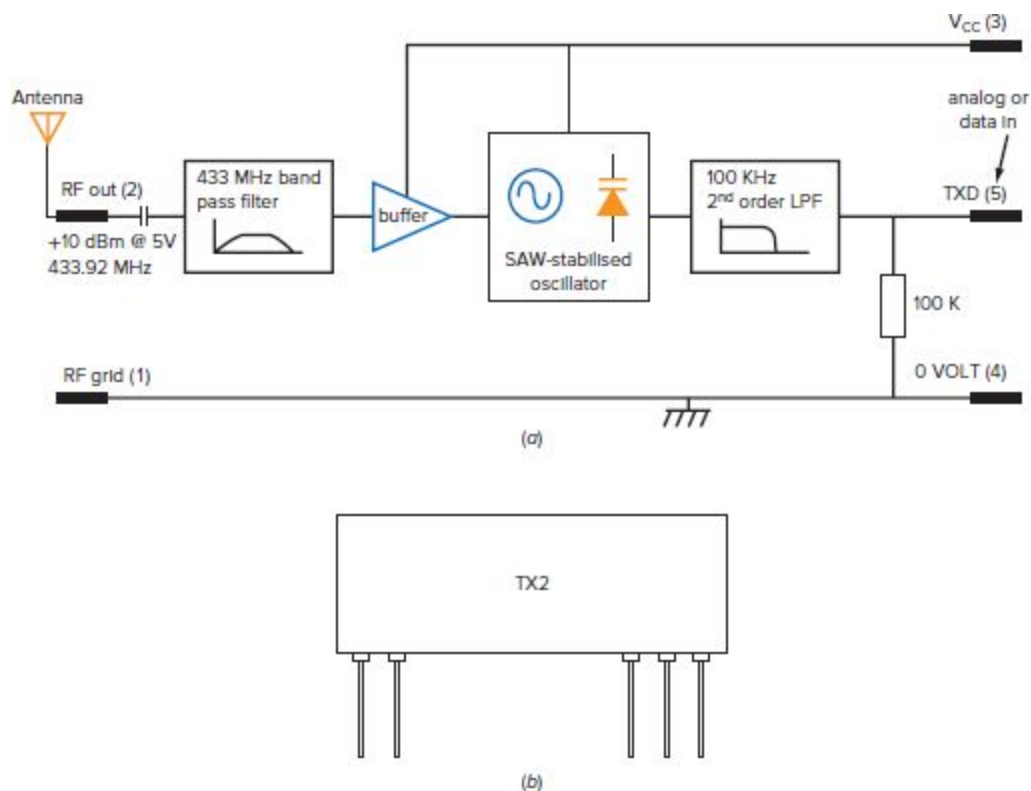
Most transmitters are part of a transceiver, the combination of a transmitter and receiver. A transceiver may be a module or a single IC. Separate transmitter and receiver modules are also available. Here are two examples.

Short-Range Wireless Transmitter

There are many short-range wireless applications that require a transmitter to send data or control signals to a nearby receiver. Some examples are the small transmitters in industrial monitoring and control equipment or home automation devices. Other applications are sensor reading, alarms, security systems, meter reading, building automation, and medical instruments. These unlicensed transmitters use very low power and operate in the FCC's industrial-scientific-medical (ISM) bands. These are frequencies set aside for license-free operation as defined in Part 15 of the FCC rules and regulations. The most common frequencies are 315, 433.92, 868 (Europe), and 915 MHz.

Fig. 8-52 shows a simple transmitter module, the TX2 from Radiometrix. A simplified block diagram is given in Fig. 8-52. The transmitter operates on the ISM frequency of 433.92 MHz. The signal generation is by a single-stage Colpitts-like oscillator whose frequency is set by a surface acoustic wave (SAW) device that is used like crystal. The oscillator signal is amplified in a buffer amplifier and the output is sent to a 433.92-MHz bandpass filter and then to the output that is connected to an antenna. The power output is usually in the +6- to +12-dBm range, depending on the dc supply voltage that can be 2 to 6 V, 5 V typical.

Figure 8-52 The Radiometrix TX2 transmitter and its metal 32 × 12 mm package.



The oscillator is frequency modulated with a varactor. The signal to be transmitted is FSK, usually serial data with a rate of up to 160 kbps. The data is shaped with a low-pass filter to minimize the sidebands and overall transmit

bandwidth. The useable transmit range is up to about 300 m, depending on antenna type and signal path.

A companion receiver, the RX2, is available and will be covered in Chap. 9.

CHAPTER REVIEW

Online Activity

8-1 Examining IC RF Power Amplifiers

Objective: Learn more about the characteristics and specifications of IC RF power amplifiers.

Procedure:

1. Use Bing, Google, Yahoo, or another search engine to locate basic information sources on integrated circuit power amplifiers for LTE or 5G cell phones.
2. Go to the websites of the following companies to obtain data sheets, block diagrams, specifications, and characteristics of RF power amplifiers: Anadigics, Broadcom, Cree, RFMD, NXP, Qorvo, Skyworks, ST Micro.
3. Answer the following questions.

Questions:

1. For PAs used for cell phones, what are some of the frequency ranges available?
2. What is the most common input and output impedance?
3. What is the most common power output specification for a cell phone PA?

4. What are some of the semiconductor materials used for cell phone PAs?
5. Are cell phone PAs linear or nonlinear?
6. What semiconductor materials provide the highest frequency and power capability?
7. Is the Doherty PA available in IC or module format? Who is the supplier, if so?

Questions

1. What circuits are typically part of every radio transmitter?
2. Which type of transmitter does not use class C amplifiers?
3. For how many degrees of an input sine wave does a class B amplifier conduct?
4. What is the name given to the bias for a class C amplifier produced by an input *RC* network?
5. Why are crystal oscillators used instead of *LC* oscillators to set transmitter frequency?
6. What is the most common way to vary the output frequency of a crystal oscillator?
7. How is the output frequency of a frequency of a PLL synthesizer changed?
8. What are prescalers, and why are they used in VHF and UHF synthesizers?
9. What is the purpose of the loop filter in a PLL?
10. What circuit in a direct digital synthesizer (DDS) actually generates the output waveform?
11. In a DDS, what is stored in ROM?
12. How is the output for frequency of a DDS changed?
13. What is the most efficient class of RF power amplifier?
14. What is the approximate maximum power of typical transistor RF power amplifiers?
15. Define power-added efficiency.

- 16.** What is the main advantage and disadvantage of switching amplifiers?
- 17.** What is the difference between a class D and a class E amplifier?
- 18.** Explain how an envelope tracking power amplifier works.
- 19.** Explain how a feedforward power amplifier reduces distortion.
- 20.** In a predistortion power amplifier, what is the feedback signal?
- 21.** Maximum power transfer occurs when what relationship exists between generator impedance Z_g and load impedance Z_L ?
- 22.** What is a toroid and how is it used? What components are made from it?
- 23.** What are the advantages of a toroid RF inductor?
- 24.** In addition to impedance matching, what other important function do LC networks perform?
- 25.** What is the name given to a single winding transformer?
- 26.** What is the name given to an RF transformer with a 1 : 1 turns ratio connected so that it provides a 1 : 4 or 4 : 1 impedance matching? Give a common application.
- 27.** Why are untuned RF transformers used in power amplifiers?
- 28.** How is impedance matching handled in a broadband linear RF amplifier?
- 29.** What are the common impedance-matching ratios of transmission line transformers used as baluns?
- 30.** Why are π and T networks preferred over L networks?

Problems

- 1.** An FM transmitter has an 8.6-MHz crystal carrier oscillator and frequency multipliers of 2, 3, and 4. What

- is the output frequency? ♦
2. A crystal has a tolerance of 0.003 percent. What is the tolerance in ppm?
 3. A 25-MHz crystal has a tolerance of ± 200 ppm. If the frequency drifts upward to the maximum tolerance, what is the frequency of the crystal? ♦
 4. A PLL frequency synthesizer has a reference frequency of 25 kHz. The frequency divider is set to a factor of 345. What is the output frequency?
 5. A PLL frequency synthesizer has an output frequency of 162.7 MHz. The reference is a 1-MHz crystal oscillator followed by a divider of 10. What is the main frequency divider ratio? ♦
 6. A PLL frequency synthesizer has an output frequency of 470 MHz. A divide-by-10 prescaler is used. The reference frequency is 10 kHz. What is the frequency step increment?
 7. A PLL frequency synthesizer has a variable-modulus prescaler of $M = 10/11$ and divider ratios of the A and N counters of 40 and 260. The reference frequency is 50 kHz. What are the VCO output frequency and the minimum frequency step increment? ♦
 8. In a DDS, the ROM contains 4096 storage locations holding one cycle of sine wave values. What is the phase step increment?
 9. A DDS synthesizer has a 200-MHz clock and a constant value of 16. The ROM address register has 16 bits. What is the output frequency?
 10. A PLL multiplier transmitter is to operate with a 915 MHz output. With a divide factor of 64, what value of crystal is needed?
 11. A class C amplifier has a supply voltage of 36 V and a collector current of 2.5 A. Its efficiency is 80 percent. What is the RF output power? ♦
 12. Calculate the L and C values of an L network that is to match a $9\text{-}\Omega$ transistor power amplifier to a $75\text{-}\Omega$ antenna

at 122 MHz.

- 13.** Calculate what L network components will match a $4\text{-}\Omega$ internal resistance in series with an internal inductance of 9 nH to a $72\text{-}\Omega$ load impedance in parallel with a stray capacitance of 24 pF at a frequency of 46 MHz.
- 14.** Design an LCC T network that will match $5\text{-}\Omega$ internal resistance to a $52\text{-}\Omega$ load at 54 MHz. Assume a Q of 12.
- 15.** A transformer has 6 turns on the primary and 18 turns on the secondary. If the generator (source) impedance is $50\text{-}\Omega$, what should the load impedance be?
- 16.** A transformer must match a $2500\text{-}\Omega$ generator to a $50\text{-}\Omega$ load. What must the turns ratio be?

◆ Answers to Selected Problems follow Chap. 23.

Critical Thinking

- 1.** Name the five main parts of a PLL frequency synthesizer. Draw the circuit from memory. From which circuit is the output taken?
- 2.** Looking at a sine wave, describe how the ROM in a DDS could use only one-fourth of the memory locations to store the sine look-up table.
- 3.** Design an LCC network like that in Fig. 8-42 to match a $5.5\text{-}\Omega$ transistor amplifier with an inductor of 7 nH to an antenna with an impedance of $50\text{-}\Omega$ and a shunt capacitance of 22 pf.
- 4.** To match a $6\text{-}\Omega$ amplifier impedance to a $72\text{-}\Omega$ antenna load, what turns ratio N_P/N_S must a transformer have?
- 5.** Why are linear power amplifiers required in most transmitters today?

Communication Receivers

In radio communication systems, the transmitted signal is very weak when it reaches the receiver, particularly when it has traveled over a long distance. The signal, which has shared the free-space transmission media with thousands of other radio signals, has also picked up noise of various kinds. Radio receivers must provide the sensitivity and selectivity that permit full recovery of the original intelligence signal. This chapter reviews the basic principles of signal reception and discusses the analog superheterodyne and direct conversion receivers.

Objectives

After completing this chapter, you will be able to:

- Identify the function of each component of a superheterodyne receiver.
- Express the relationship between the IF, local oscillator, and signal frequencies mathematically and calculate any one of them, given the other two.
- Explain how the design of dual-conversion receivers allows them to enhance selectivity and eliminate image problems.
- Describe the operation of the most common types of mixer circuits.

- Explain the architecture and operation of direct conversion radios.
- List the major types of external and internal noise, and explain how each interferes with signals both before and after they reach the receiver.
- Calculate the noise factor, noise figure, and noise temperature of a receiver.
- Describe the operation and purpose of the AGC circuit in a receiver.

9-1 Basic Principles of Signal Reproduction

A communication receiver must be able to identify and select a desired signal from thousands of others present in the frequency spectrum (selectivity) and to provide sufficient amplification to recover the modulating signal (sensitivity). A receiver with good selectivity will isolate the desired signal in the RF spectrum and eliminate or at least greatly attenuate all other signals. A receiver with good sensitivity involves high circuit gain.

Selectivity

Selectivity in a receiver is obtained by using tuned circuits and/or filters. The *LC* tuned circuits provide initial selectivity; filters, which are used later in the process, provide additional selectivity.

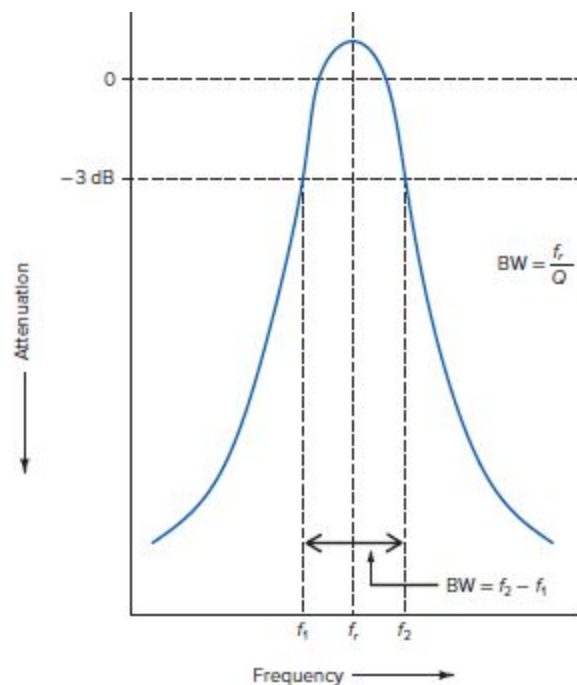
Selectivity

Q and Bandwidth. Initial selectivity in a receiver is normally obtained by using *LC* tuned circuits. By carefully controlling the *Q* of the resonant circuit, you can set the

desired selectivity. The optimum *bandwidth* is not only wide enough to pass the signal and its sidebands but also narrow enough to eliminate or greatly attenuate signals on adjacent frequencies. As Fig. 9-1 shows, the rate of attenuation or roll-off of an *LC* tuned circuit is gradual. Adjacent signals will be attenuated, but in some cases not enough to completely eliminate interference. Increasing the *Q* will further narrow the bandwidth and improve the steepness of attenuation, but narrowing the bandwidth in this way can be taken only so far. At some point, the circuit bandwidth may become so narrow that it starts to attenuate the sidebands, resulting in loss of information.

Bandwidth

Figure 9-1 Selectivity curve of a tuned circuit.

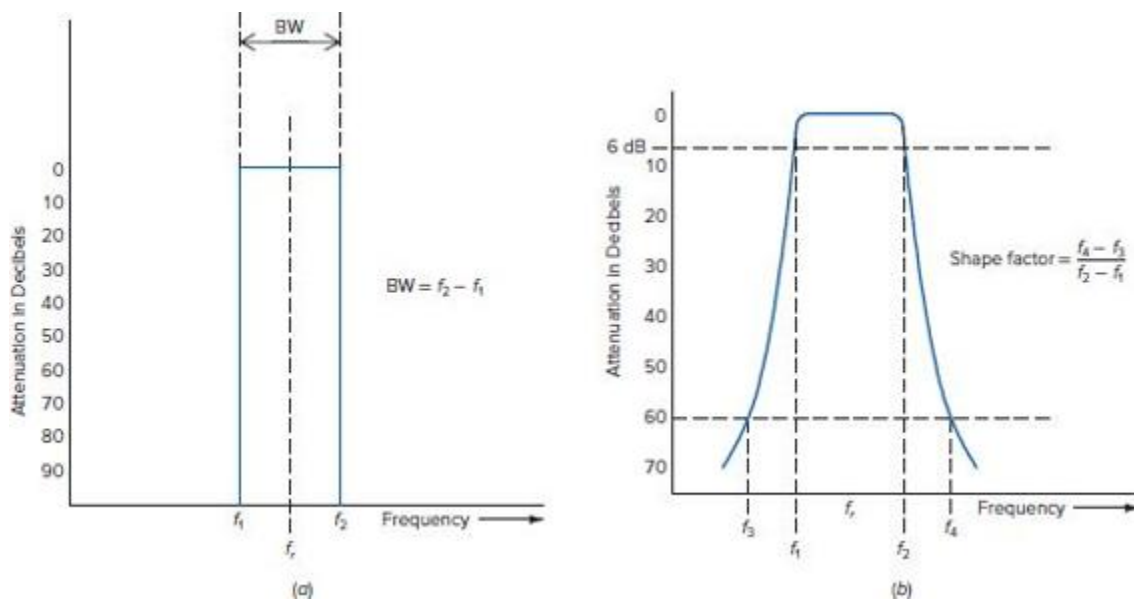


GOOD TO KNOW

If you know the *Q* and the resonant frequency of a tuned circuit, you can calculate the bandwidth by using the equation $BW = f_r/Q$.

The ideal receiver selectivity curve would have perfectly vertical sides, as in Fig. 9-2(a). Such a curve cannot be obtained with tuned circuits. Improved selectivity is achieved by cascading tuned circuits or by using crystal, ceramic, or SAW filters. At lower frequencies, digital signal processing (DSP) can provide almost ideal response curves. All these methods are used in communication receivers. A good way to understand this is to realize that the receiver selectivity should accommodate the modulation method used at the transmitter and the characteristic of the information signal (analog or digital).

Figure 9-2 Receiver selectivity response curves. (a) Ideal response curve. (b) Practical response curve showing shape factor. page 293



Shape Factor. The sides of a tuned circuit response curve are known as *skirts*. The steepness of the skirts, or the *skirt selectivity*, of a receiver is expressed as the *shape factor*, the ratio of the 60-dB down bandwidth to the 6-dB down bandwidth. This is illustrated in Fig. 9-2(b). The bandwidth at the 60-dB down points is $f_4 - f_3$; the bandwidth of the 6-dB down points is $f_2 - f_1$. Thus the shape factor is $(f_4 - f_3)/(f_2 - f_1)$. Assume, for example, that the 60-dB bandwidth is 8 kHz and

the 6-dB bandwidth is 3 kHz. The shape factor is $\frac{8}{3} = 2.67$, or 2.67:1.

Skirt selectivity

Shape factor

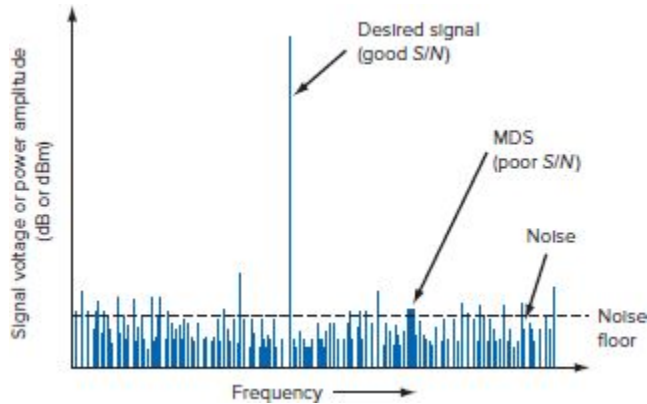
The lower the shape factor, the steeper the skirts and the better the selectivity. The ideal, shown in Fig. 9-2(a), is 1. Shape factors approaching 1 can be achieved with DSP filters.

Sensitivity

A communication receiver's *sensitivity*, or ability to pick up weak signals, is mainly a function of overall gain, the factor by which an input signal is multiplied to produce the output signal. In general, the higher the gain of a receiver, the better its sensitivity. The greater gain that a receiver has, the smaller the input signal necessary to produce a desired level of output. High gain in communication receivers is obtained by using multiple amplification stages.

Sensitivity

Another factor that affects the sensitivity of a receiver is the signal-to-noise (S/N) ratio (SNR). Noise is the small random voltage variations from external sources and from noise variations generated within the receiver's circuits. This noise can sometimes be so high (many microvolts) that it masks or obliterates the desired signal. Fig. 9-3 shows what a spectrum analyzer display would show as it monitored two input signals and the background noise. The noise is small, but it has random voltage variations and frequency components that are spread over a wide spectrum. The large signal is well above the noise and so is easily recognized, amplified, and demodulated. The smaller signal is barely larger than the noise and so may not be successfully received.



One method of expressing the sensitivity of a receiver is to establish the *minimum discernible signal (MDS)*. The MDS is the input signal level that is approximately equal to the average *internally* generated noise value. This noise value is called the *noise floor* of the receiver. MDS is the amount of signal that would produce the same audio power output as the noise floor signal. The MDS is usually expressed in dBm.

Another often used measure of receiver sensitivity is microvolts or decibels above 1 μV and decibels above 1 mW (0 dBm).

Most receivers have an antenna input impedance of 50 Ω . So a 1- μV signal produces a power P across the 50 Ω of

$$P = \frac{V^2}{R} = \frac{1 \times 10^{-6}}{50} = 2 \times 10^{-14} \text{ W}$$

Expressing this in dBm (power referenced to 1 mW) gives

$$\text{dBm} = 10 \log \frac{P}{1 \text{ mW}} = 10 \log \frac{2 \times 10^{-14}}{0.001} = -107 \text{ dBm}$$

Now if a receiver has a stated sensitivity of 10 μV , then expressing this in decibels yields

$$\text{dB} = 20 \log 10 = 20 \text{ dB}$$

The sensitivity above 1 mW then is

$$\text{dBm} = 10 - 107 = -87 \text{ dBm}$$

An input sensitivity of $0.5 \mu\text{V}$ translates to a sensitivity of

$$\begin{aligned} \text{dB} &= 20 \log 0.5 = -6 \\ \text{dBm} &= -6 - 107 = -113 \text{ dBm} \end{aligned}$$

There is no one fixed way to define sensitivity. For analog signals, the signal-to-noise ratio is the main consideration in analog signals. For digital signal transmission, the *bit error rate (BER)* is the main consideration. BER is the number of errors made in the transmission of many serial data bits. For example, one measure is that the sensitivity is such that the BER is 10^{-10} or 1 bit error in every 10 billion bits transmitted.

Bit error rate (BER)

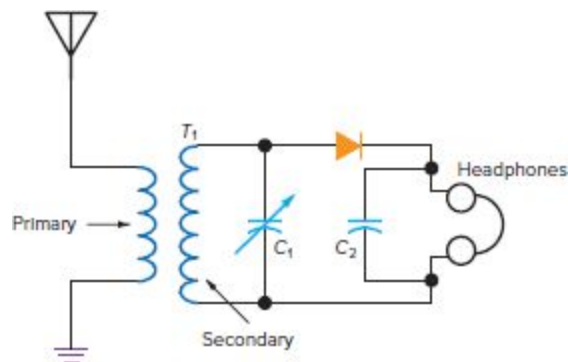
Several methods for stating and measuring sensitivity have been defined in various communications standards depending upon the type of modulation used and other factors.

For example, the sensitivity of a high-frequency communication receiver is usually expressed as the minimum amount of signal voltage input that will produce an output signal that is 10 dB higher than the receiver background noise. Some specifications state a 20-dB *S/N* ratio. A typical sensitivity figure might be $1\text{-}\mu\text{V}$ input. The lower this figure, the better the sensitivity. Good communication receivers typically have a sensitivity of 0.2 to $1 \mu\text{V}$. Consumer AM and FM receivers designed for receiving strong local stations have much lower sensitivity. Typical FM receivers have sensitivities of 5 to $10 \mu\text{V}$; AM receivers can have sensitivities of $100 \mu\text{V}$ or higher. Common wireless transceiver sensitivities are in the -85 to -140 dBm range.

The Simplest Receiver Configuration

Fig. 9-4 shows the simplest radio receiver: a crystal set consisting of a tuned circuit, a diode (crystal) detector, and earphones. The tuned circuit provides the selectivity, the diode and C_2 serve as an AM demodulator, and the earphones reproduce the recovered audio signal.

Figure 9-4 The simplest receiver—a crystal set.



This receiver can only receive very strong local AM radio stations, and a very long antenna is needed. However, a demodulator like this is the basic circuit in any receiver. All other circuits in a receiver are designed to improve sensitivity and selectivity, so that the demodulator can perform better.

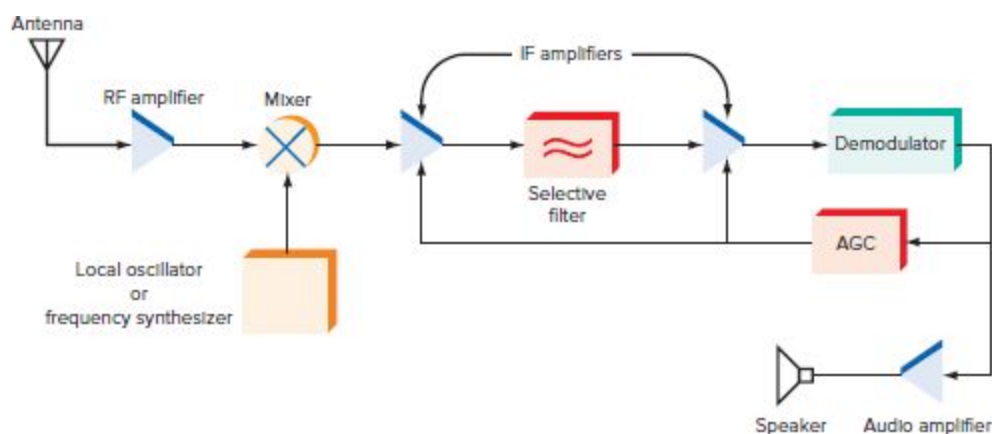
9-2 Superheterodyne Receivers

A sensitive and selective receiver can be made using only amplifiers, selective filters, and a demodulator. This is called a tuned radio frequency or TRF receiver. Early radios used this design. However, such a receiver does not usually deliver the kind of performance expected in modern communications applications. One type of receiver that can

provide that performance is the superheterodyne receiver. *Superheterodyne receivers* convert all incoming signals to a lower frequency, known as the *intermediate frequency (IF)*, at which a single set of amplifiers and filters is used to provide a fixed level of sensitivity and selectivity. Most of the gain and selectivity in a superheterodyne receiver are obtained in the IF amplifiers. The key circuit is the mixer, which acts as a simple amplitude modulator to produce sum and difference frequencies. The incoming signal is mixed with a local oscillator signal to produce this conversion. Fig. 9-5 shows a general block diagram of a superheterodyne receiver. In the following sections, the basic function of each circuit is examined. Although individual circuits are discussed in the following sections, keep in mind that today most receivers are made up of circuits fully integrated on a single chip of silicon or other semiconductor material. Such circuits cannot usually be changed or accessed.

Intermediate frequency (IF)

Figure 9-5 Block diagram of a superheterodyne receiver.



RF Amplifiers

The antenna picks up the weak radio signal and feeds it to the *RF amplifier*, also called a *low-noise amplifier (LNA)*. RF

amplifiers provide some initial gain and selectivity. Tuned circuits help select the desired signal or at least the frequency range in which the signal resides. The tuned circuits in fixed tuned receivers can be given a very high Q , so that excellent selectivity can be obtained. However, in receivers that must tune over a broad frequency range, selectivity is somewhat more difficult to obtain. The tuned circuits must resonate over a wide frequency range. Therefore, the Q , bandwidth, and selectivity of the amplifier change with frequency.

RF amplifier (low-noise amplifier or preselector)

In communication receivers that do not use an RF [page 296](#) amplifier, the antenna is connected directly to a tuned circuit, at the input to the mixer, which provides the desired initial selectivity. This configuration is practical in low-frequency applications where extra gain is simply not needed. (Most of the receiver gain is in the IF amplifier section, and even if relatively strong signals are to be received, additional RF gain is not necessary.) Further, omitting the RF amplifier may reduce the noise contributed by such a circuit. In general, however, it is preferable to use an RF amplifier. RF amplifiers improve sensitivity, because of the extra gain; improve selectivity, because of the added tuned circuits; and improve the S/N ratio. Further, spurious signals are more effectively rejected, minimizing unwanted signal generation in the mixer.

GOOD TO KNOW

The key circuit in superheterodyne receivers is the mixer, which acts like a simple amplitude modulator to produce sum and difference frequencies.

RF amplifiers also minimize oscillator radiation. The local oscillator signal is relatively strong, and some of it can leak through and appear at the input to the mixer. If the mixer

input is connected directly to the antenna, some of the local oscillator signal radiates, possibly causing interference to other nearby receivers. The RF amplifier between the mixer and the antenna isolates the two, significantly reducing any local oscillator radiation.

Both bipolar and field-effect transistors, made with silicon, GaAs, or SiGe, can be used as RF amplifiers. The selection is made based upon frequency, cost, integrated versus discrete, and desired noise performance.

Mixers and Local Oscillators

The output of the RF amplifier is applied to the input of the *mixer*. The mixer also receives an input from a local oscillator or frequency synthesizer. The mixer output is the input signal, the local oscillator signal, and the sum and difference frequencies of these signals. Usually a tuned circuit at the output of the mixer selects the difference frequency, or intermediate frequency (IF). The sum frequency may also be selected as the IF in some applications. The mixer may be a diode, a balanced modulator, or a transistor. MOSFETs and hot carrier diodes are preferred as mixers because of their low-noise characteristics.

Mixer

Local oscillator

GOOD TO KNOW

MOSFETs and hot carrier diodes are preferred as mixers because of their low noise characteristics.

The *local oscillator* is made tunable so that its frequency can be adjusted over a relatively wide range. As the local-

oscillator frequency is changed, the mixer translates a wide range of input frequencies to the fixed IF.

IF Amplifiers

The output of the mixer is an IF signal containing the same modulation that appeared on the input RF signal. This signal is amplified by one or more IF amplifier stages, and most of the receiver gain is obtained in these stages. Tuned circuits provide fixed selectivity. Since the intermediate frequency is usually much lower than the input signal frequency, IF amplifiers are easier to design and good selectivity is easier to obtain. Crystal, ceramic, or SAW filters are used in most IF sections to obtain good selectivity. Some forms of receivers use DSP filters for selectivity.

page 297

Demodulators

The highly amplified IF signal is finally applied to the *demodulator*, or *detector*, which recovers the original modulating information. The demodulator may be a diode detector (for AM), a quadrature detector (for FM), or a product detector (for SSB). In modern digital superheterodyne radios, the IF signal is first digitized by an analog-to-digital converter (ADC) and then sent to a digital signal processor (DSP) where the demodulation is carried out by a programmed algorithm. The recovered signal in digital form is then converted back to analog by a digital-to-analog converter (DAC). The output of the demodulator or DAC is then usually fed to an audio amplifier with sufficient voltage and power gain to operate a speaker. For nonvoice signals, the detector output may be sent elsewhere, to a TV, tablet, cell phone screen, computer, or some other device.

Demodulator (or detector)

Automatic Gain Control

The output of a demodulator is usually the original modulating signal, the amplitude of which is directly proportional to the amplitude of the received signal. The recovered signal, which is usually ac, is rectified and filtered into a dc voltage by a circuit known as the *automatic gain control (AGC)* circuit. This dc voltage is fed back to the IF amplifiers, and sometimes the RF amplifier, to control receiver gain. AGC circuits help maintain a constant output voltage level over a wide range of RF input signal levels; they also help the receiver to function over a wide range so that strong signals do not produce performance-degrading distortion. Virtually all superheterodyne receivers use some form of AGC.

Automatic gain control (AGC)

The amplitude of the RF signal at the antenna of a receiver can range from a fraction of a microvolt to thousands of microvolts; this wide signal range is known as the *dynamic range*. Typically, receivers are designed with very high gain so that weak signals can be reliably received. However, applying a very high-amplitude signal to a receiver causes the circuits to be overdriven, producing distortion and reducing intelligibility.

With AGC, the overall gain of the receiver is automatically adjusted depending on the input signal level. The signal amplitude at the output of the detector is proportional to the amplitude of the input signal; if it is very high, the AGC circuit produces a high dc output voltage, thereby reducing the gain of the IF amplifiers. This reduction in gain eliminates the distortion normally produced by a high-voltage input signal. When the incoming signal is weak, the detector output is low. The output of the AGC is then a smaller dc voltage. This causes the gain of the IF amplifiers to remain high, providing maximum amplification.

Adjustable or programmable IC amplifiers are used for this purpose.

9-3 Frequency Conversion

As discussed in earlier chapters, *frequency conversion* is the process of translating a modulated signal to a higher or lower frequency while retaining all the originally transmitted information. In radio receivers, high-frequency radio signals are regularly converted to a lower, intermediate frequency, where improved gain and selectivity can be obtained. This is called *down conversion*. In satellite communications, the original signal is generated at a lower frequency and then converted to a higher frequency for transmission. This is called *up conversion*.

Frequency conversion

Down conversion

Up conversion

Mixing Principles

page 298

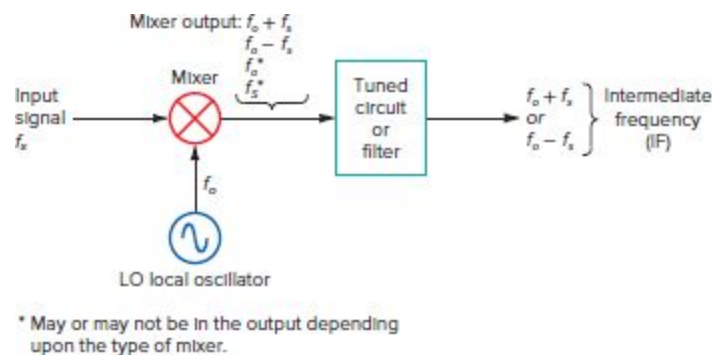
Frequency conversion is a form of amplitude modulation or analog multiplication carried out by a mixer circuit or converter. The function performed by the mixer is called *heterodyning*.

Heterodyning

Fig. 9-6 is a schematic diagram of a mixer circuit. Mixers accept two inputs. The signal f_s , which is to be translated to another frequency, is applied to one input, and the sine wave from a local oscillator f_o is applied to the other input. The signal to be translated can be a simple sine wave or any complex modulated signal containing sidebands. Like an amplitude modulator, a mixer essentially performs a

mathematical multiplication of its two input signals according to the principles discussed in Chaps. 2 and 3. The oscillator is the carrier, and the signal to be translated is the modulating signal. The output contains not only the carrier signal but also sidebands formed when the local oscillator and input signal are mixed. The output of the mixer, therefore, consists of signals f_s , f_o , $f_o + f_s$, and $f_o - f_s$ or $f_s - f_o$.

Figure 9-6 Concept of a mixer.



The local oscillator signal f_o usually appears in the mixer output, as does the original input signal f_s in some types of mixer circuits. These are not needed in the output and are therefore filtered out. Either the sum or difference frequency in the output is the desired signal. For example, to translate the input signal to a lower frequency, the lower sideband or difference signal $f_o - f_s$ is chosen. The local oscillator frequency will be chosen such that when the information signal is subtracted from it, a signal with the desired lower frequency is obtained. When translating to a higher frequency, the upper sideband or sum signal $f_o + f_s$ is chosen. Again, the local oscillator frequency determines what the new higher frequency will be. A tuned circuit or filter is used at the output of the mixer to select the desired signal and reject all the others.

For example, for an FM radio receiver to translate an FM signal at 107.1 MHz to an intermediate frequency of 10.7

MHz for amplification and detection, a local oscillator frequency of 96.4 MHz is used. The mixer output signals are $f_s = 107.1$ MHz, $f_o = 96.4$ MHz, $f_o + f_s = 96.4 + 107.1 = 203.5$ MHz, and $f_s - f_o = 107.1 - 96.4 = 10.7$ MHz. Then a filter selects the 10.7-MHz signal (the IF, or f_{IF}) and rejects the others.

As another example, suppose a local oscillator frequency is needed that will produce an IF of 70 MHz for a signal frequency of 880 MHz. Since the IF is the difference between the input signal and local oscillator frequencies, there are two possibilities:

$$f_o = f_s + f_{IF} = 880 + 70 = 950 \text{ MHz}$$

$$f_o = f_s - f_{IF} = 880 - 70 = 810 \text{ MHz}$$

There are no set rules for deciding which of these to choose. However, at lower frequencies, say, those less than about 100 MHz, the local oscillator frequency is traditionally higher than the incoming signal's frequency, and at higher frequencies, those above 100 MHz, the local oscillator frequency is lower than the input signal frequency.

Keep in mind that the mixing process takes place on the whole spectrum of the input signal, whether it contains only a single-frequency carrier or multiple carriers and many complex sidebands. In the above example, the 10.7-MHz output signal contains the original frequency modulation. The result is as if the carrier frequency of the input signal is changed, as are all the sideband frequencies. The frequency conversion process makes it possible to shift a signal from one part of the spectrum to another, as required by the application.

Mixer and Converter Circuits

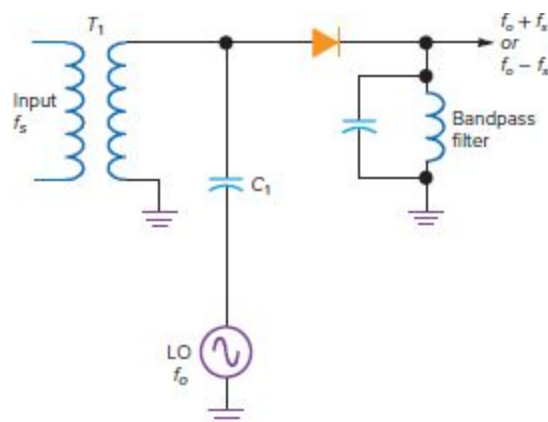
Any diode or transistor can be used to create a mixer circuit, but most modern mixers are sophisticated ICs. This section covers some of the more common and widely used types.

Diode Mixers. The primary characteristic of mixer circuits is nonlinearity. Any device or circuit whose output does not vary linearly with the input can be used as a mixer. For example, one of the most widely used types of mixer is the simple but effective diode modulator described in Chap. 3. *Diode mixers* like this are sometimes found in microwave applications.

Diode mixer

A diode mixer circuit using a single diode is shown in Fig. 9-7. The input signal, which comes from an RF amplifier or, in some receivers, directly from the antenna, is applied to the primary winding of transformer T_1 . The signal is coupled to the secondary winding and applied to the diode mixer, and the local oscillator signal is coupled to the diode by way of capacitor C_1 . The input and local oscillator signals are linearly added in this way and applied to the diode, which performs its nonlinear magic to produce the sum and difference frequencies. The output signals, including both inputs, are developed across the tuned circuit, which acts as a bandpass filter, selecting either the sum or difference frequency and eliminating the others.

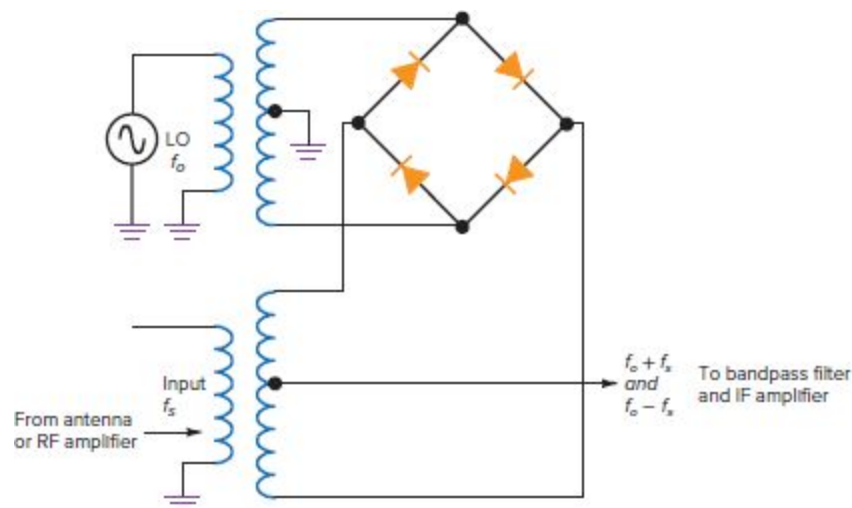
Figure 9-7 A simple diode mixer.



Doubly Balanced Mixer. Balanced modulators are also widely used as mixers. These circuits eliminate the carrier from the output, making the job of filtering much easier. Any of the balanced modulators described previously can be used in mixing applications. Both the diode lattice balanced modulator and the integrated differential amplifier-type balanced modulator are quite effective in mixing applications. A version of the diode balanced modulator shown in Fig. 4-26, known as a *doubly balanced mixer* and illustrated in Fig. 9-8, is probably the single best mixer available, especially for VHF, UHF, and microwave frequencies. The transformers are precision-wound and the Schottky or hot carrier diodes matched in characteristics so that a high degree of carrier or local oscillator suppression occurs. In commercial products, the local oscillator attenuation is 50 to 60 dB or more.

Doubly balanced mixer

Figure 9-8 A doubly balanced mixer very popular at high frequencies.

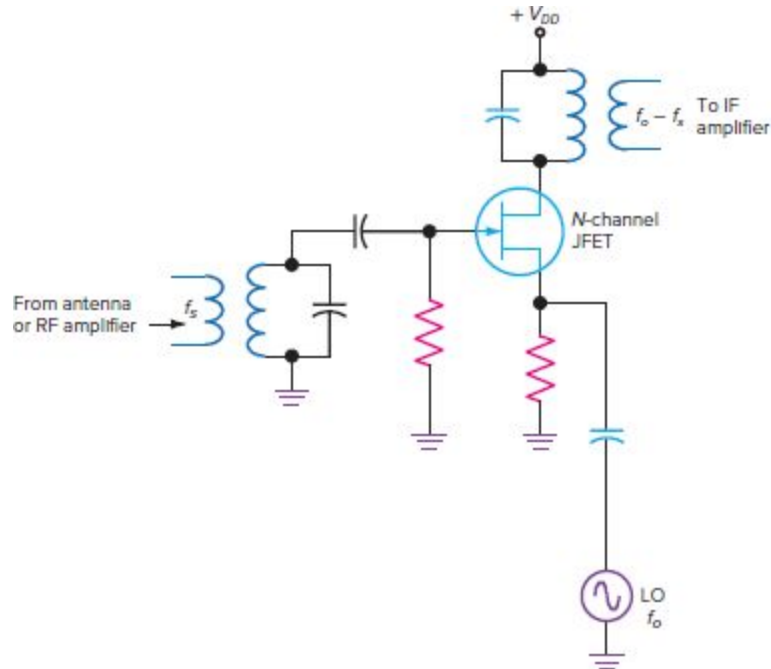


FET Mixers. FETs make good mixers because they provide gain, have low noise, and offer a nearly perfect square-law response. An example is shown in Fig. 9-9. The *FET mixer* is biased so that it operates in the nonlinear portion of its

range. The input signal is applied to the gate, and the local oscillator signal is coupled to the source. Again, the tuned circuit in the drain selects the difference frequency.

FET mixer

Figure 9-9 A JFET mixer.



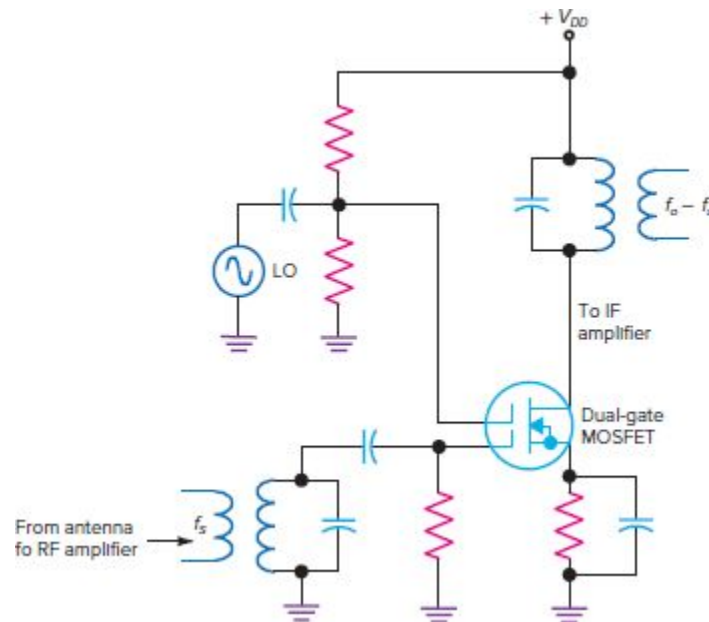
GOOD TO KNOW

Any device or circuit whose output is not a linear variation with the input can be used as a mixer.

Another popular FET mixer, one with a dual-gate MOSFET, is shown in Fig. 9-10. Here the input signal is applied to one gate, and the local oscillator is coupled to the other gate. Dual-gate MOSFETs provide superior performance in mixing applications because their drain current I_D is directly proportional to the product of the two gate voltages. In receivers built for VHF, UHF, and microwave applications,

junction FETs and dual-gate MOSFETs are widely used as mixers because of their high gain and low noise. Gallium arsenide FETs are preferred over silicon FETs at the higher frequencies because of their lower noise contribution and higher gain. IC mixers use MOSFETs.

Figure 9-10 A dual-gate MOSFET mixer.



One of the best reasons for using an FET mixer is that its characteristic drain current versus gate voltage curve is a perfect square-law function. (Recall that square-law formulas show how upper and lower sidebands and sum and difference frequencies are produced.) With a perfect square-law mixer response, only second-order harmonics are generated in addition to the sum and difference frequencies. Other mixers, such as diodes and bipolar transistors, approximate a square-law function; however, they are nonlinear, so that AM or heterodyning does occur. The nonlinearity is such that higher-order products such as the third, fourth, fifth, and higher harmonics are generated. Most of these can be eliminated by a bandpass filter that selects out the difference or sum frequency for the IF

amplifier. However, the presence of higher-order products can cause unwanted low-level signals to appear in the receiver. These signals produce birdlike chirping sounds known as *birdies*, which, despite their low amplitude, can interfere with low-level input signals from the antenna or RF amplifier. FETs do not have this problem, and so FETs are the preferred mixer in most receivers.

Birdies

IC Mixers. A typical IC mixer, the *NE602 mixer*, is [page 301](#) shown in Fig. 9-11(a). An improved version is the SA612 mixer, which has roughly the same characteristics. The NE602/SA612, also known as a *Gilbert transconductance cell*, or *Gilbert cell*, consists of a doubly balanced mixer circuit made up of two cross-connected differential amplifiers. Although most doubly balanced mixers are passive devices with diodes, as described earlier, the NE602 uses bipolar transistors. Also on the chip is an NPN transistor that can be connected as a stable oscillator circuit and a dc voltage regulator. The device is housed in an 8-pin DIP. It operates from a single dc power supply voltage of 4.5 to 8 V. The circuit can be used at frequencies up to 500 MHz, making it useful in HF, VHF, and low-frequency UHF applications. The oscillator, which operates up to about 200 MHz, is internally connected to one input of the mixer. An external *LC* tuned circuit or a crystal is required to set the operating frequency.

NE602 mixer (Gilbert cell)

Figure 9-11 NE602/SA612 IC mixer. (a) Block diagram and pinout. (b) Simplified schematic.

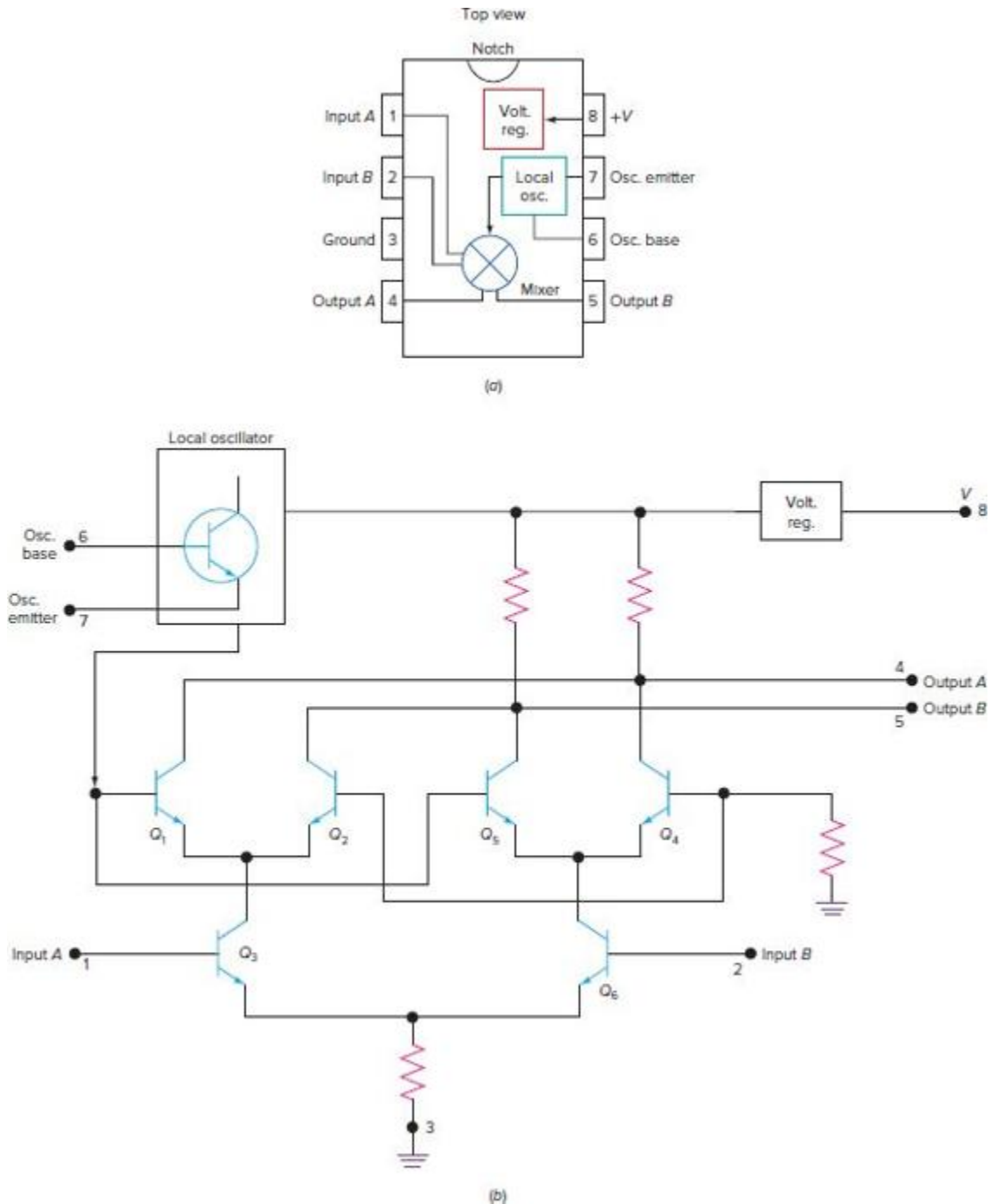


Fig. 9-11(b) shows the circuit details of the mixer itself. Bipolar transistors Q_1 and Q_2 form a differential amplifier with current source Q_3 , and Q_4 and Q_5 form another differential amplifier with current source Q_6 . Note that the inputs are connected in parallel. The collectors are cross-connected; i.e., the collector of Q_1 is connected to the collector of Q_4

instead of Q_3 , as would be the case for a parallel connection, and the collector of Q_2 is connected to the collector of Q_3 . This connection results in a circuit that is like a balanced modulator in that the internal oscillator signal and the input signal are suppressed, leaving only the sum and difference signals in the output. The output may be balanced or single-ended, as required. A filter or tuned circuit must be connected to the output to select the desired sum or difference signal.

A typical circuit using the NE602/SA612 IC mixer page 302 is shown in Fig. 9-12. Both R_1 and C_1 are used for decoupling, and a resonant transformer T_1 couples the 72-MHz input signal to the mixer. Capacitor C_2 resonates with the transformer secondary at the input frequency, and C_3 is an ac bypass connecting pin 2 to ground. External components C_4 and L_1 form a tuned circuit that sets the oscillator to 82 MHz. Capacitors C_5 and C_6 form a capacitive voltage divider that connects the on-chip NPN transistor as a Colpitts oscillator circuit. Capacitor C_7 is an ac coupling and blocking capacitor. The output is taken from pin 4 and connected to a ceramic bandpass filter, which provides selectivity. The output, in this case the difference signal, or $82 - 72 = 10$ MHz, appears across R_2 . The balanced mixer circuit suppresses the 82-MHz oscillator signal, and the sum signal of 154 MHz is filtered out. The output IF signal plus any modulation that appeared on the input is passed to IF amplifiers for an additional boost in gain prior to demodulation.

Figure 9-12 NE602/SA612 mixer used for frequency translation. page 303

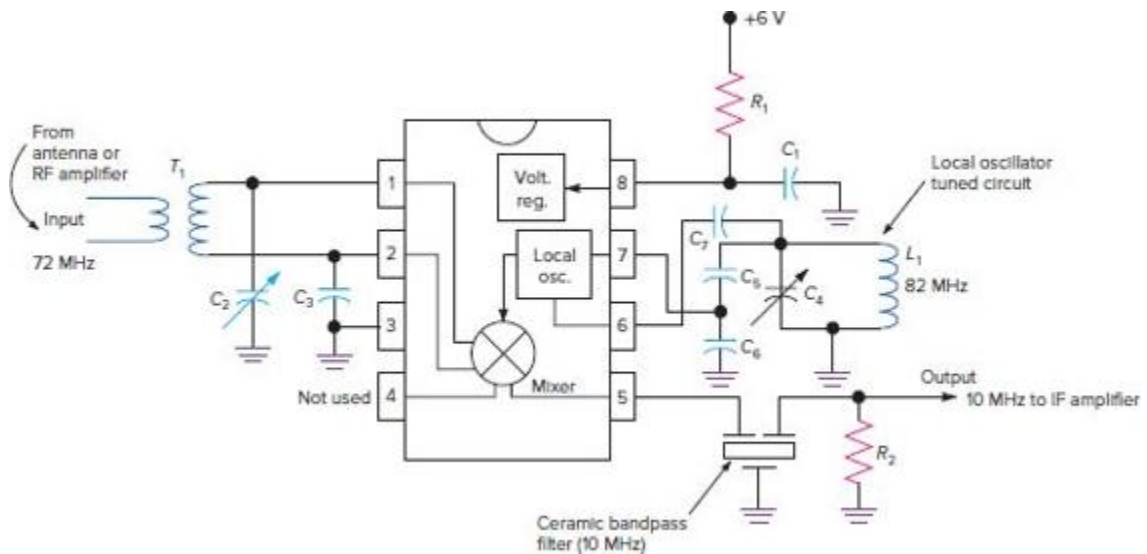


Image Reject Mixer. A special type of mixer is used in designs in which images cannot be tolerated. All superheterodyne receivers suffer from images (see Sec. 9-4), but some more than others because of the frequency of operation, chosen IF, and interfering signal frequency. When proper choice of IF and front-end selectivity cannot eliminate the images, an *image reject mixer* can be used. It uses Gilbert cell mixers in a configuration like that used in a phasing-type SSB generator. Referring to Chap. 4 and Fig. 4-29, you can see how this circuit can be used as a mixer. A balanced modulator is also a mixer. With this technique, the desired signal can be passed, but the image will be canceled by the phasing technique. Such circuits are sensitive to adjust, but they result in superior image performance in critical applications. This approach is used in some modern UHF and microwave IC receivers.

Image reject mixer

Local Oscillators and Frequency Synthesizers

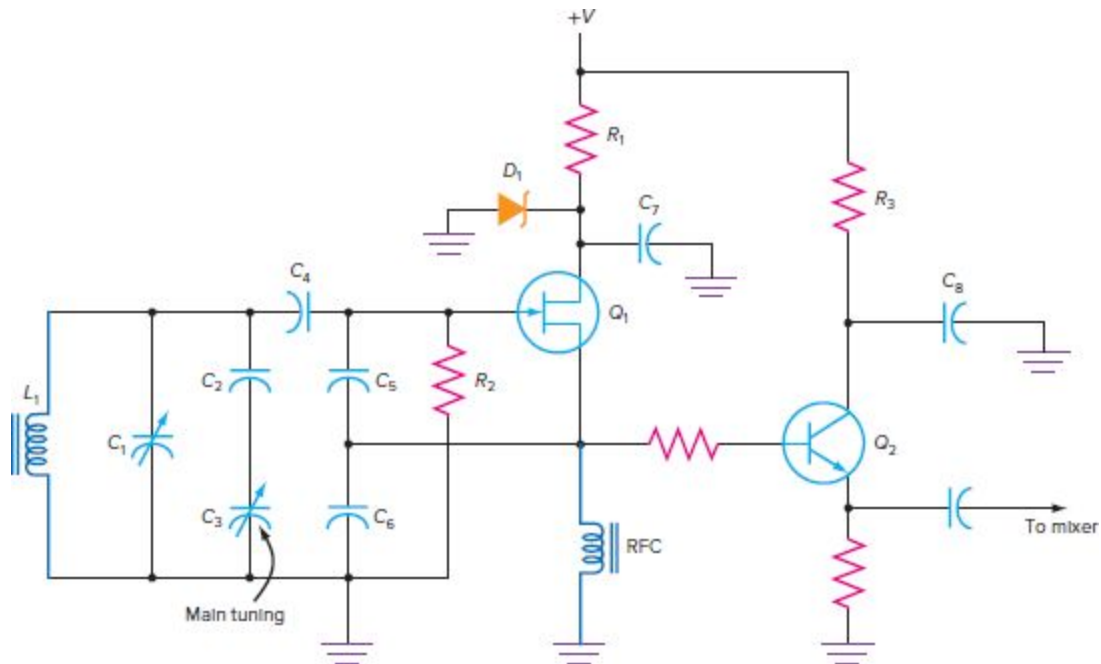
The local oscillator signal for the mixer comes from either a conventional LC tuned oscillator such as a Colpitts or Clapp circuit or a frequency synthesizer. The simpler continuously tuned receivers use an LC oscillator. Channelized receivers use frequency synthesizers.

LC Oscillators. A representative local oscillator for frequencies up to 100 MHz is shown in Fig. 9-13. This type of circuit, which is sometimes referred to as a variable-frequency oscillator, or VFO, uses a JFET Q_1 connected as a Colpitts oscillator. Feedback is developed by the voltage divider, which is made up of C_5 and C_6 . The frequency is set by the parallel-tuned circuit made up of L_1 in parallel with C_1 , which is also in parallel with the series combination of C_2 and C_3 . The oscillator is set to the center of its desired operating range by a coarse adjustment of trimmer capacitor C_1 . Coarse tuning can also be accomplished by making L_1 variable. An adjustable slug-tuned ferrite core moved in and out of L_1 can set the desired frequency range. The main tuning is accomplished with variable capacitor C_3 , which is connected mechanically to some kind of dial mechanism that has been calibrated in frequency.

LC oscillator

Figure 9-13 A VFO for receiver local oscillator service.

page 304



Main tuning can also be accomplished with varactors. For example, C_3 in Fig. 9-13 can be replaced by a varactor, reverse-biased to make it act as a capacitor. Then a potentiometer applies a variable dc bias to change the capacitance and thus the frequency.

The output of the oscillator is taken from across the RFC in the source lead of Q_1 and applied to a direct-coupled emitter follower. The emitter follower buffers the output, isolating the oscillator from load variations that can change its frequency. The emitter-follower buffer provides a low-impedance source to connect to the mixer circuit, which often has a low input impedance. If frequency changes after a desired station is tuned in, which can occur as a result of outside influences such as changes in temperature, voltage, and load, the signal will drift off and no longer be centered in the passband of the IF amplifier. One of the key features of local oscillators is their stability, i.e., their ability to resist frequency changes. The emitter follower essentially eliminates the effects of load changes. The zener diode gets its input from the power supply, which is regulated,

providing a regulated dc to the circuit and ensuring maximum stability of the supply voltage to Q_1 .

Most drift comes from the LC circuit components themselves. Even inductors, which are relatively stable, have slight positive temperature coefficients, and special capacitors that change little with temperature are essential. Usually, negative temperature coefficient (NPO) ceramic capacitors are selected to offset the positive temperature coefficient of the inductor. Capacitors with a mica dielectric are also used.

Frequency Synthesizers. Most new receiver designs incorporate *frequency synthesizers* for the local oscillator, which provides some important benefits over the simple VFO designs. First, since the synthesizer is usually of the phase-locked loop (PLL) design, the output is locked to a crystal oscillator reference, providing a high degree of stability. Second, tuning is accomplished by changing the frequency division factor in the PLL, resulting in incremental rather than continuous frequency changes. Most communication is channelized; i.e., stations operate on assigned frequencies that are a known frequency increment apart, and setting the PLL step frequency to the channel spacing allows every channel in the desired spectrum to be selected simply by changing the frequency division factor. In some advanced digital receivers, a DDS synthesizer is used for the local oscillator and all tuning is digital.

Frequency synthesizer

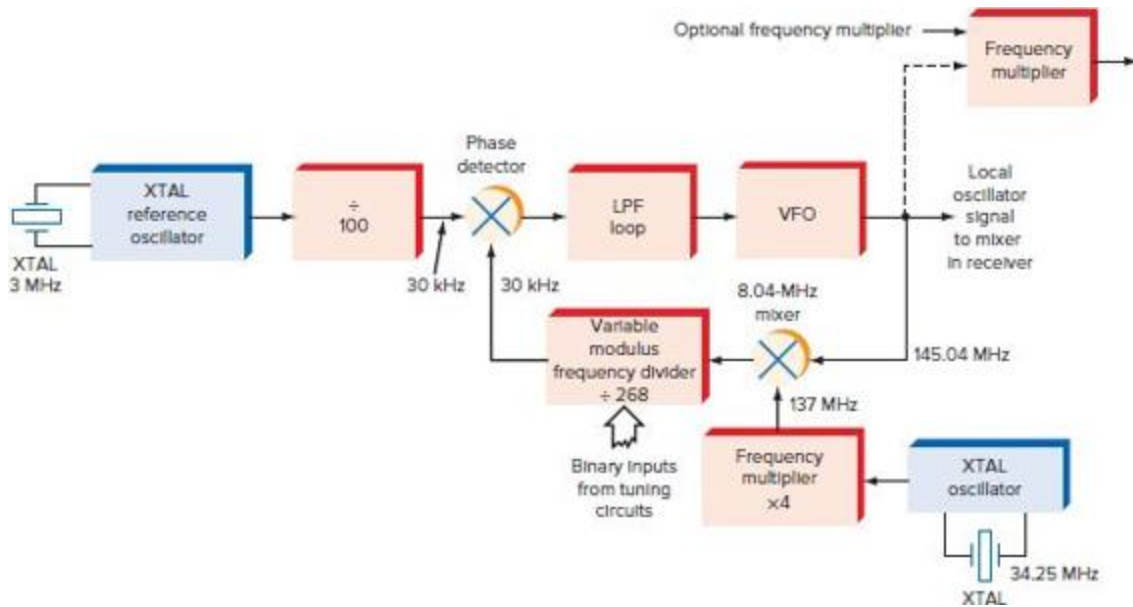
The former disadvantages of frequency page 305 synthesizers—higher cost and greater circuit complexity—have been offset by the availability of low-cost PLL synthesizer ICs, which make local oscillator design simple and cheap. Most modern receivers, from AM/FM car radios, stereos, and TV sets to military receivers and commercial transceivers, use frequency synthesis.

GOOD TO KNOW

Most modern receivers, including stereos, car radios, and military and commercial receivers, use frequency synthesis PLL or DDS.

The frequency synthesizers used in receivers are largely identical to those described in Chap. 8. However, some additional techniques, such as the use of a mixer in the feedback loop, are employed. The circuit in Fig. 9-14 is a traditional PLL configuration, with the addition of a mixer connected between the VFO output and the frequency divider. A crystal reference oscillator provides one input to a phase detector, which is compared to the output of the frequency divider. Tuning is accomplished by adjusting the frequency division ratio by changing the binary number input to the divider circuit. This binary number can come from a switch, a counter, a ROM, or a microprocessor. The output of the phase detector is filtered by the loop filter into a dc control voltage to vary the frequency of the variable-frequency oscillator, which generates the final output that is applied to the mixer in the receiver.

Figure 9-14 A frequency synthesizer used as a receiver local oscillator.



As stated previously, one of the disadvantages of very high-frequency PLL synthesizers is that the VFO output frequency is often higher in frequency than the upper operating limit of the variable-modulus frequency divider ICs commonly available. One approach to this problem is to use a prescaler to reduce the VFO frequency before it is applied to the variable-frequency divider. Another is to reduce the VFO output frequency to a lower value within the range of the dividers by down-converting it with a mixer, as illustrated in Fig. 9-14. The VFO output is mixed with the signal from another crystal oscillator, and the difference frequency is selected. With some UHF and microwave receivers, it is necessary to generate the local oscillator signal at a lower frequency and then use a PLL frequency multiplier to increase the frequency to the desired higher level. The position of this optional multiplier is shown by the dotted line in Fig. 9-14.

As an example, assume that a receiver must tune to 190.04 MHz and that the IF is 45 MHz. The local oscillator frequency can be either 45 MHz lower or higher than the input signal. Using the lower frequency, we have $190.04 - 45 = 145.04$ MHz. Now, when the incoming 190.04-MHz signal

is mixed with the 145.04-MHz signal to be generated by the synthesizer in Fig. 9-14, its IF will be the difference frequency of $190.04 - 145.04 = 45$ MHz.

The output of the VFO in Fig. 9-14 is 145.04 MHz. page 306
It is mixed with the signal from a crystal oscillator whose frequency is 137 MHz. The crystal oscillator, set to 34.25 MHz, is applied to a frequency multiplier that multiplies by a factor of 4. The 145.04-MHz signal from the VFO is mixed with the 137-MHz signal, and the sum and difference frequencies are generated. The difference frequency is selected, for $145.04 - 137 = 8.04$ MHz. This frequency is well within the range of programmable-modulus IC frequency dividers.

The frequency divider is set to divide by a factor of 268, and so the output of the divider is $8,040,000/268 = 30,000$ Hz, or 30 kHz. or 30 kHz. This signal is applied to the phase detector. It is the same as the other input to the phase detector, as it should be for a locked condition. The reference input to the phase detector is derived from a 3-MHz crystal oscillator divided down to 30 kHz by a divide-by-100 divider. This means that the synthesizer is stepped in 30-kHz increments.

Now, suppose that the divider factor is changed from 268 to 269 to tune the receiver. To ensure that the PLL stays locked, the VFO output frequency must change. To achieve 30 kHz at the output of the divider with a ratio of 269, the divider input has to be $269 \times 30 \text{ kHz} = 8070 \text{ kHz} = 8.07$ MHz. This 8.07-MHz signal comes from the mixer, whose inputs are the VFO and the crystal oscillator. The crystal oscillator input remains at 137 MHz, so the VFO frequency must be 137 MHz higher than the 8.07-MHz output of the mixer, or $137 + 8.07 = 145.07$ MHz. This is the output of the VFO and local oscillator of the receiver. With a fixed IF of 45 MHz, the receiver will now be tuned to the IF plus the local oscillator input, or $145.07 + 45 = 190.07$ MHz.

Note that the change of the divider factor by one increment, from 268 to 269, changes the frequency by one 30-kHz increment, as desired. The addition of the mixer to the circuit does not affect the step increment, which is still controlled by the frequency of the reference input frequency.

9-4 Intermediate Frequency and Images

The choice of IF is usually a design compromise. The primary objective is to obtain good selectivity. Narrowband selectivity is best obtained at lower frequencies, particularly when conventional LC tuned circuits are used. Even active RC filters can be used when IFs of 500 KHz or less are used. There are various design benefits of using a low IF. At low frequencies, the circuits are far more stable with high gain. At higher frequencies, circuit layouts must take into account stray inductances and capacitances, as well as the need for shielding, if undesired feedback paths are to be avoided. With very high circuit gain, some of the signal can be fed back in phase and cause oscillation. Oscillation is not as much of a problem at lower frequencies. However, when low IFs are selected, a different sort of problem is faced, particularly if the signal to be received is very high in frequency. This is the problem of images. An *image* is a potentially interfering RF signal that is spaced from the desired incoming signal by a frequency that is two times the intermediate frequency above or below the incoming frequency, or

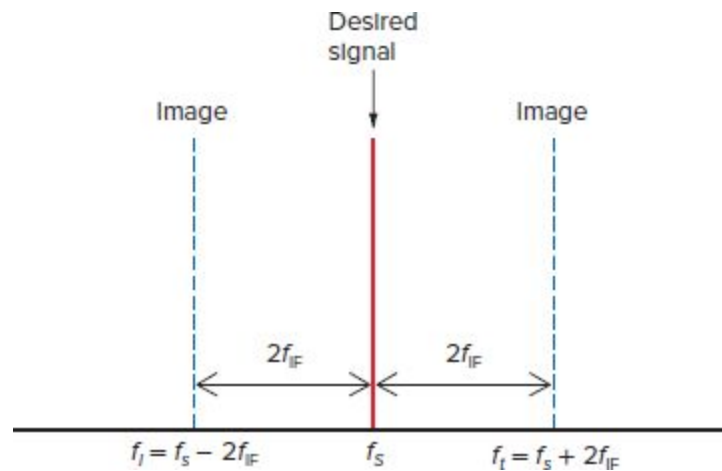
Image

$$f_i = f_s + 2f_{IF} \quad \text{and} \quad f_i = f_s - 2f_{IF}$$

where f_i = image frequency
 f_s = desired signal frequency
 f_{IF} = intermediate frequency

This is illustrated graphically in Fig. 9-15. Note that which of the images occurs depends on whether the local oscillator frequency f_o is above or below the signal frequency.

Figure 9-15 Relationship of the signal and image frequencies.



GOOD TO KNOW

Crowding of the RF spectrum increases the chance that a signal on the image frequency will cause image interference. To help remedy this, high-Q tuned circuits should be used ahead of the mixer or RF amplifier.

Frequency Relationships and Images

As stated previously, the mixer in a superheterodyne receiver produces the sum and difference frequencies of the incoming signal and the local oscillator signal. Normally, the difference frequency is selected as the IF. The frequency of the local oscillator is usually chosen to be higher in frequency than the incoming signal by the IF. However, the local oscillator frequency could also be made lower than the incoming signal frequency by an amount equal to the IF.

Either choice will produce the desired difference frequency. For the following example, assume that the local oscillator frequency is higher than the incoming signal frequency.

Now, if a signal appears at the input of the mixer page 307 with a frequency equal to the image, the mixer will, of course, produce the sum and difference frequencies regardless of the inputs. Therefore, the mixer output will again be the difference frequency at the IF value. Assume, e.g., a desired signal frequency of 90 MHz and a local oscillator frequency of 100 MHz. The IF is the difference $100 - 90 = 10$ MHz. The image frequency is $f_i = f_s + 2f_{IF} = 90 + 2(10) = 90 + 20 = 110$ MHz.

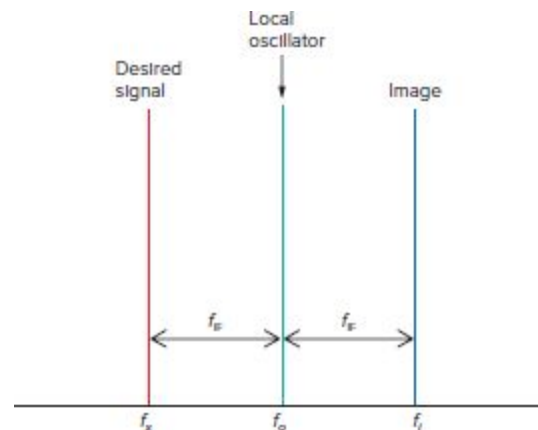
GOOD TO KNOW

Noise is the static you hear in the speaker when you tune any AM or FM receiver to any position between stations. It is also the “snow” or “confetti” that is visible on a TV screen. Noise is not the same as interference from other information signals.

If an undesired signal, the image, appears at the mixer input, the output will be the difference $110 - 100 = 10$ MHz. The IF amplifier will pass it. Now look at Fig. 9-16, which shows the relationships between the signal, local oscillator, and image frequencies. The mixer produces the difference between the local oscillator frequency and the desired signal frequency, or the difference between the local oscillator frequency and the image frequency. In both cases, the IF is 10 MHz. This means that a signal spaced from the desired signal by two times the IF can also be picked up by the receiver and converted to the IF. When this occurs, the image signal interferes with the desired signal. In today’s crowded RF spectrum, chances are high that there will be a signal on the image frequency, and image interference can even make

the desired signal unintelligible. Superheterodyne design must, therefore, find a way to solve the image problem.

Figure 9-16 Signal, local oscillator, and image frequencies in a superheterodyne.



Solving the Image Problem

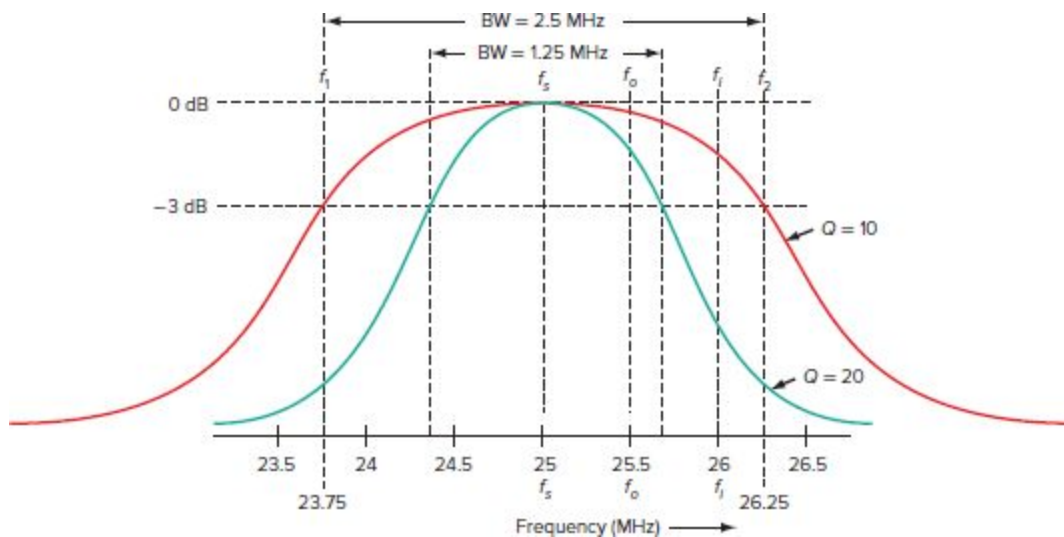
page 308

Image interference occurs only when the image signal is allowed to appear at the mixer input. This is the reason for using high- Q tuned circuits ahead of the mixer, or a selective RF amplifier. If the selectivity of the RF amplifier and tuned circuits is good enough, the image will be rejected. In a fixed tuned receiver designed for a specific frequency, it is possible to optimize the receiver front end for the good selectivity necessary to eliminate images. But many receivers have broadband RF amplifiers that allow many frequencies within a specific band to pass. Other receivers must be made tunable over a wide frequency range. In such cases, selectivity becomes a problem.

Assume, e.g., that a receiver is designed to pick up a signal at 25 MHz. The IF is 500 kHz, or 0.5 MHz. The local oscillator is adjusted to a frequency right above the incoming signal by an amount equal to the IF, or $25 + 0.5 = 25.5$ MHz. When the local oscillator and signal frequencies are mixed, the difference is 0.5 MHz, as desired.

The image frequency is $f_i = f_s + 2f_{IF} = 25 + 2(0.5) = 26$ MHz. An image frequency of 26 MHz will cause interference to the desired signal at 25 MHz unless it is rejected. The signal, local oscillator, and image frequencies for this situation are shown in Fig. 9-17.

Figure 9-17 A low IF compared to the signal frequency with low-Q tuned circuits causes images to pass and interfere.



Now, assume that a tuned circuit ahead of the mixer has a Q of 10. Given this and the resonant frequency, the bandwidth of the resonant circuit can be calculated as $BW = f_r/Q = 25/10 = 2.5$ MHz. The response curve for this tuned circuit is shown in Fig. 9-17. As shown, the bandwidth of the resonant circuit is relatively wide. The bandwidth is centered on the signal frequency of 25 MHz. The upper cutoff frequency is $f_2 = 26.25$ MHz, the lower cutoff frequency is $f_1 = 23.75$ MHz, and the bandwidth is $BW = f_2 - f_1 = 26.25 - 23.75 = 2.5$ MHz. (Remember that the bandwidth is measured at the 3-dB down points on the tuned circuit response curve.)

The fact that the upper cutoff frequency is higher than the image frequency, 26 MHz, means that the image frequency appears in the passband; it would thus be passed relatively unattenuated by the tuned circuit, causing interference.

It is clear how cascading tuned circuits and making them with higher Q s can help solve the problem. For example, assume a Q of 20, instead of the previously given value of 10. The bandwidth at the center frequency of 25 MHz is then $f_s/Q = 25/20 = 1.25$ MHz.

The resulting response curve is shown by the green line in Fig. 9-17. The image is now outside of the passband and is thus attenuated. Using a Q of 20 would not solve the image problem completely, but still higher Q s would further narrow the bandwidth, attenuating the image even more.

Higher Q s are, however, difficult to achieve and page 309 often complicate the design of receivers that must be tuned over a wide range of frequencies. The usual solution to this problem is to choose a higher IF. Assume, e.g., that an intermediate frequency of 9 MHz is chosen (the Q is still 10). Now the image frequency is $f_i = 25 + 2(9) = 43$ MHz. A signal at a 43-MHz frequency would interfere with the desired 25-MHz signal if it were allowed to pass into the mixer. But 43 MHz is well out of the tuned circuit bandpass; the relatively low- Q selectivity of 10 is sufficient to adequately reject the image. Of course, choosing the higher intermediate frequency causes some design difficulties, as indicated earlier.

To summarize, the IF is made as high as possible for effective elimination of the image problem, yet low enough to prevent design problems. In most receivers, the IF varies in proportion to the frequencies that must be covered. At low frequencies, low values of IF are used. A value of 455 kHz is common for AM broadcast band receivers and for others covering that general frequency range. At frequencies up to about 30 MHz, 3385 kHz and 9 MHz are common IF frequencies. In FM radios that receive 88 to 108 MHz, 10.7 MHz is a standard IF. In TV receivers, an IF in the 40- to 50-MHz range is common. In the microwave region, radar receivers typically use an IF in the 60-MHz range, and

satellite communication equipment uses 70- and 140-MHz IFs.

GOOD TO KNOW

For a dual-conversion superheterodyne, if you have an input value f_s and the two local oscillator values f_{LO_1} and f_{LO_2} , you can determine what the two intermediate frequencies (IFs) are. First, determine the difference between the input and the first local oscillator: $f_s - f_{LO_1} = IF_1$. Now the IF_1 value is the input for the second mixer. To determine the second intermediate frequency, find the difference between the first intermediate frequency and the second local oscillator: $IF_1 - f_{LO_2} = IF_2$.

Dual-Conversion Receivers

Another way to obtain selectivity while eliminating the image problem is to use a *dual-conversion* superheterodyne receiver. See Fig. 9-18. The receiver shown in the figure uses two mixers and local oscillators, and so it has two IFs. The first mixer converts the incoming signal to a relatively high intermediate frequency for the purpose of eliminating the images; the second mixer converts that IF down to a much lower frequency, where good selectivity is easier to obtain.

Dual-conversion receiver

Figure 9-18 A dual-conversion superheterodyne.

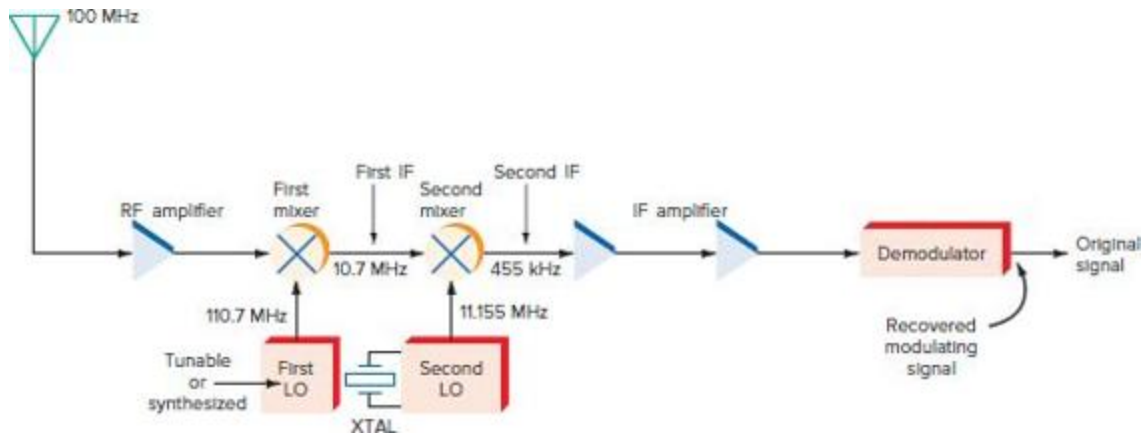


Fig. 9-18 shows how the different frequencies are obtained. Each mixer produces the difference frequency. The first local oscillator is variable and provides the tuning for the receiver. The second local oscillator is fixed in frequency. Since it need convert only one fixed IF to a lower IF, this local oscillator does not have to be tunable. In most cases, its frequency is set by a quartz crystal. In some receivers, the first mixer is driven by the fixed-frequency local oscillator, and tuning is done with the second local oscillator. Dual-conversion receivers are relatively common. Most shortwave receivers and many at VHF, UHF, and microwave frequencies use dual conversion. For example, a CB receiver operating in the 27-MHz range typically uses a 10.7-MHz first IF and a 455-kHz second IF. For some critical applications, triple-conversion receivers are used to further minimize the image problem, although their use is not common. A triple-conversion receiver uses three mixers and three different intermediate-frequency values.

Example 9-1

A superheterodyne receiver must cover the range from 220 to 224 MHz. The first IF is 10.7 MHz; the second is 1.5 MHz. Find (a) the local oscillator tuning range, (b)

the frequency of the second local oscillator, and (c) the first IF image frequency range. (Assume a local oscillator frequency higher than the input by the IF.)

a. $220 + 10.7 = 230.7 \text{ MHz}$

$$224 + 10.7 = 234.7 \text{ MHz}$$

The tuning range is 230.7 to 234.7 MHz

b. The second local oscillator frequency is 1.5 MHz higher than the first IF.

$$10.7 + 1.5 = 12.2 \text{ MHz}$$

c. The first IF image range is 241.4 to 245.4 MHz.

$$230.7 + 10.7 = 241.4 \text{ MHz}$$

$$234.7 + 10.7 = 245.4 \text{ MHz}$$

Direct Conversion Receivers

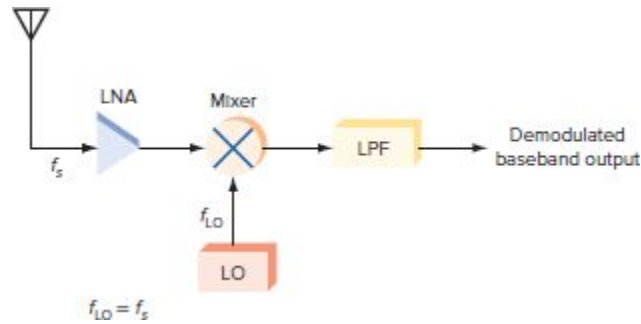
A special version of the superheterodyne is known as the *direct conversion (DC) or zero-IF (ZIF) receiver*. Instead of translating the incoming signal to another (usually lower) intermediate frequency, dc receivers convert the incoming signal directly to baseband. In other words, they perform the demodulation of the signal as part of the translation.

Direct conversion (DC) or zero-IF (ZIF) receiver

Fig. 9-19 shows the basic ZIF receiver architecture. The low-noise amplifier boosts the signal level before the mixer. The local oscillator (LO) frequency, usually from a PLL frequency synthesizer f_{LO} , is set to the frequency of the incoming signal f_s .

$$f_{LO} = f_s$$

Figure 9-19 A direct-conversion (zero-IF) receiver.



The sum and difference frequencies as a result of mixing are

$$f_{LO} - f_s = 0$$

$$f_{LO} + f_s = 2f_{LO} = 2f_s$$

The difference frequency is zero. Without modulation, there is no output. With AM, the sidebands mix with the LO to reproduce the original modulation baseband signal. In this instance, the mixer is also the demodulator. The sum is twice the LO frequency that is removed by the low-pass filter (LPF).

Assume a carrier of 21 MHz and a voice page 311 modulation signal from 300 to 3000 Hz and AM. The sidebands extend from 20,997,000 to 21,003,000 Hz. At the receiver, the LO is set to 21 MHz. The mixer produces

$$21,000,000 - 20,997,000 = 3000 \text{ Hz}$$

$$21,003,000 - 21,000,000 = 3000 \text{ Hz}$$

$$21,000,000 + 21,003,000 = 42,003,000 \text{ Hz}$$

$$21,000,000 + 20,997,000 = 41,997,000 \text{ Hz}$$

A low-pass filter at the mixer output whose cutoff frequency is set to 3 kHz easily filters out the 42-MHz components.

GOOD TO KNOW

Direct conversion receivers save circuit board space and do not require a separate demodulator circuit. However, in this circuit the LO signal can sometimes leak out through the mixer.

The DC receiver has several key benefits. First, no separate IF filter is needed. This is usually a crystal, ceramic, or SAW filter that is expensive and takes up valuable printed-circuit board space in compact designs. An inexpensive *RC*, *LC*, or active low-pass filter at the mixer output supplies the needed selectivity. Second, no separate detector circuit is needed, because demodulation is inherent in the technique. Third, in transceivers that use half duplex and in which the transmitter and receiver are on the same frequency, only one PLL frequency synthesizer voltage-controlled oscillator is needed. All these benefits result in simplicity and its attendant lower cost. Fourth, there is no image problem.

The disadvantages of this receiver are subtle. In designs with no RF amplifier (LNA), the LO signal can leak through the mixer to the antenna and radiate. An LNA reduces this likelihood, but even so, careful design is required to minimize the radiation. Second, an undesired dc offset can develop in the output. Unless all circuits are perfectly balanced, dc offset can upset bias arrangements in later circuits as well as cause circuit saturation that will prevent amplification and other operations. Finally, the ZIF receiver can be used only with CW, AM, SSB, or DSB. It cannot recognize phase or frequency variations.

To use this type of receiver with FM, FSK, PM, or PSK, or any form of digital modulation, two mixers are required along with a quadrature LO arrangement. Such designs are used in most cell phones and other wireless receivers. See Chap. 12.

Low IF Receiver

An alternative to a direct conversion receiver is the low IF receiver. This design is used to mitigate or eliminate the LO leakage and dc output problems. The resulting receiver is

still a superheterodyne, but using a low IF offers other benefits such as simpler filters.

What is a low IF? It depends on the operating frequency. Early cell phone designs used an IF in the 125-kHz range, making it possible to use simple on-chip RC filters. In other designs, a low IF may be in the 1- or 2-MHz range if the operating frequency is above 1 GHz.

9-5 Noise

Noise is an electronic signal that is a mixture of many random frequencies at many amplitudes that gets added to a radio or information signal as it is transmitted from one place to another or as it is processed. Noise is *not* the same as interference from other information signals.

Noise

When you turn on any AM, FM, or shortwave receiver and tune it to some position between stations, the hiss or static that you hear in the speaker is noise. Noise also shows up on a black-and-white TV screen as snow or on a color screen as confetti. If the noise level is high enough and/or the signal is weak enough, the noise can completely obliterate the original signal. Noise that occurs in transmitting digital data causes *bit errors* and can result in information being garbled or lost.

The noise level in a system is proportional to page 312 temperature and bandwidth, and to the amount of current flowing in a component, the gain of the circuit, and the resistance of the circuit. Increasing any of these factors increases noise. Therefore, low noise is best obtained by using low-gain circuits, low direct current, low resistance values, and narrow bandwidths. Keeping the temperature low can also help.

Noise is a problem in communication systems whenever the received signals are very low in amplitude. When the transmission is over short distances or high-power transmitters are being used, noise is not usually a problem. But in most communication systems, weak signals are normal, and noise must be taken into account at the design stage. It is in the receiver that noise is the most detrimental because the receiver must amplify the weak signal and recover the information reliably.

Noise can be external to the receiver or originate within the receiver itself. Both types are found in all receivers, and both affect the SNR.

Signal-to-Noise Ratio

The *signal-to-noise (S/N) ratio*, also designated SNR, indicates the relative strengths of the signal and the noise in a communication system. The stronger the signal and the weaker the noise, the higher the S/N ratio. If the signal is weak and the noise is strong, the S/N ratio will be low and reception will be unreliable. Communication equipment is designed to produce the highest feasible S/N ratio.

Signal-to-noise (S/N) ratio

Signals can be expressed in terms of voltage or power. The S/N ratio is computed by using either voltage or power values:

$$\frac{S}{N} = \frac{V_s}{V_n} \quad \text{or} \quad \frac{S}{N} = \frac{P_s}{P_n}$$

where V_s = signal voltage
 V_n = noise voltage
 P_s = signal power
 P_n = noise power

Assume, e.g., that the signal voltage is $1.2 \mu\text{V}$ and the noise is $0.3 \mu\text{V}$. The S/N ratio is $1.2/0.3 = 4$. Most S/N ratios are

expressed in terms of power rather than voltage. For example, if the signal power is $5 \mu\text{W}$ and the power is 125 nW , the S/N ratio is $5 \times 10^{-6}/125 \times 10^{-9} = 40$.

The preceding S/N values can be converted to decibels as follows:

$$\text{For voltage: dB} = 20 \log \frac{S}{N} = 20 \log 4 = 20(0.602) = 12 \text{ dB}$$

$$\text{For power: dB} = 10 \log \frac{S}{N} = 10 \log 40 = 10(1.602) = 16 \text{ dB}$$

However, it is expressed, if the S/N ratio is less than 1, the dB value will be negative and the noise will be stronger than the signal.

External Noise

External noise comes from sources over which we have little or no control— industrial, atmospheric, or space. Regardless of its source, noise shows up as a random ac voltage and can be seen on an oscilloscope. The amplitude varies over a wide range, as does the frequency. One can say that noise in general contains all frequencies, varying randomly. This is generally known as *white noise*.

External noise

White noise

Atmospheric noise and space noise are a fact of life and simply cannot be eliminated. Some industrial noise can be controlled at the source, but because there are so many sources of this type of noise, there is no way to eliminate it. The key to reliable communication, then, is simply to generate signals at a high enough power to overcome external noise. In some cases, shielding sensitive circuits in metallic enclosures can aid in noise control.

Industrial Noise. *Industrial noise* is produced by page 313 manufactured equipment, such as automotive

ignition systems, electric motors, and generators. Any electrical equipment that causes high voltages or currents to be switched produces transients that create noise. Noise pulses of large amplitude occur whenever a motor or other inductive device is turned on or off. The resulting transients are extremely large in amplitude and rich in random harmonics. Fluorescent and other forms of gas-filled lights are another common source of industrial noise.

Industrial noise

Atmospheric noise

Static

Extraterrestrial noise

GOOD TO KNOW

Low noise is best obtained by using low-gain circuits, low direct current, low resistance values, and narrow bandwidths. Keeping temperature low can also help.

Atmospheric Noise. The electrical disturbances that occur naturally in the earth's atmosphere are another source of noise. *Atmospheric noise* is often referred to as *static*. Static usually comes from lightning, the electric discharges that occur between clouds or between the earth and clouds. Huge static charges build up on the clouds, and when the potential difference is great enough, an arc is created and electricity literally flows through the air. Lightning is very much like the static charges that we experience during a dry spell in the winter. The voltages involved are, however, enormous, and these transient electric signals of megawatt power generate harmonic energy that can travel over extremely long distances.

Like industrial noise, atmospheric noise shows up primarily as amplitude variations that add to a signal and

interfere with it. Atmospheric noise has its greatest impact on signals at frequencies below 30 MHz.

Extraterrestrial Noise. *Extraterrestrial noise*, solar and cosmic, comes from sources in space. One of the primary sources of extraterrestrial noise is the sun, which radiates a wide range of signals in a broad noise spectrum. The noise intensity produced by the sun varies with time. In fact, the sun has a repeatable 11-year noise cycle. During the peak of the cycle, the sun produces an awesome amount of noise that causes tremendous radio signal interference and makes many frequencies unusable for communication. During other years, the noise is at a lower level.

Noise generated by stars outside our solar system is generally known as *cosmic noise*. Although its level is not as great as that of noise produced by the sun, because of the great distances between those stars and earth, it is nevertheless an important source of noise that must be considered. It shows up primarily in the 10-MHz to 1.5-GHz range, but causes the greatest disruptions in the 15- to 150-MHz range.

Cosmic noise

Internal Noise

Electronic components in a receiver such as resistors, diodes, and transistors are major sources of *internal noise*. Internal noise, although it is low level, is often great enough to interfere with weak signals. The main sources of internal noise in a receiver are thermal noise, semiconductor noise, and intermodulation distortion. Since the sources of internal noise are well known, there is some design control over this type of noise.

Internal noise

Thermal noise

Thermal Noise. Most internal noise is caused by a phenomenon known as *thermal agitation*, the random motion of free electrons in a conductor caused by heat. Increasing the temperature causes this atomic motion to increase. Since the components are conductors, the movement of electrons constitutes a current flow that causes a small voltage to be produced across that component. Electrons traversing a conductor as current flows experience fleeting impediments in their path as they encounter the thermally agitated atoms. The apparent resistance of the conductor thus fluctuates, causing the thermally produced random voltage we call noise.

You can actually observe this noise by simply connecting a high-value (megohm) resistor to a very high-gain oscilloscope. The motion of the electrons due to room temperature in the resistor causes a voltage to appear across it. The voltage variation is completely random and at a very low level. The noise developed across a resistor is proportional to the temperature to which it is exposed.

Thermal agitation is often referred to as *white* page 314 *noise* or *Johnson noise*, after J. B. Johnson, who discovered it in 1928. Just as white light contains all other light frequencies, white noise contains all frequencies randomly occurring at random amplitudes. A white noise signal therefore occupies, theoretically at least, infinite bandwidth. Filtered or band-limited noise is referred to as *pink noise*.

White (Johnson) noise

In a relatively large resistor at room temperature or higher, the noise voltage across it can be as high as several microvolts. This is the same order of magnitude as or higher than that of many weak RF signals. Weaker-amplitude signals will be totally masked by this noise.

GOOD TO KNOW

White noise or Johnson noise contains all frequencies and amplitudes.

Since noise is a very broadband signal containing a tremendous range of random frequencies, its level can be reduced by limiting the bandwidth. If a noise signal is fed into a selective tuned circuit, many of the noise frequencies are rejected and the overall noise level goes down. The noise power is proportional to the bandwidth of any circuit to which it is applied. Filtering can reduce the noise level, but does not eliminate it entirely.

The amount of open-circuit noise voltage appearing across a resistor or the input impedance to a receiver can be calculated according to Johnson's formula:

$$v_n = \sqrt{4kTBR}$$

where v_n = rms noise voltage

k = Boltzman's constant (1.38×10^{-23} J/K)

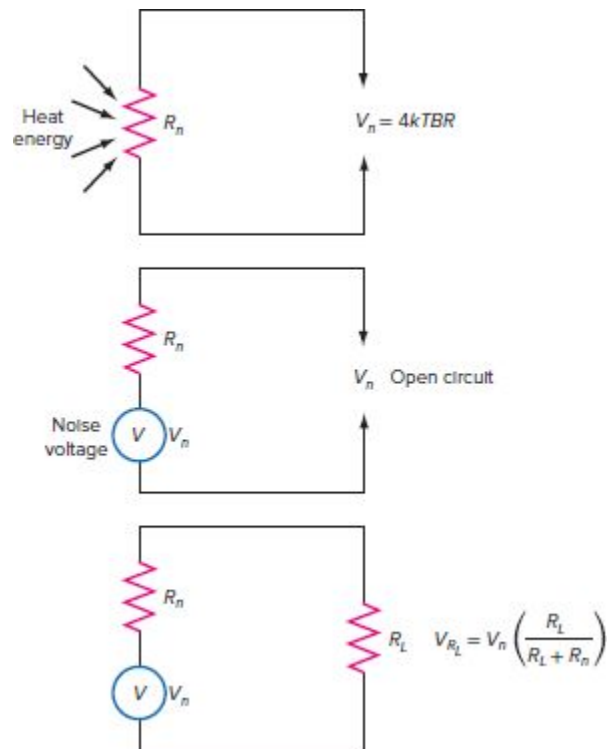
T = temperature, K ($^{\circ}\text{C} + 273$)

B = bandwidth, Hz

R = resistance, Ω

The resistor is acting as a voltage generator with an internal resistance equal to the resistor value. See Fig. 9-20. Naturally, if a load is connected across the resistor generator, the voltage will decrease as a result of voltage divider action.

Figure 9-20 A resistor acts as a tiny generator of noise voltage.



Example 9-2

What is the open-circuit noise voltage across a $100\text{-k}\Omega$ resistor over the frequency range of direct current to 20 kHz at room temperature (25°C)?

$$\begin{aligned}
 v_n &= \sqrt{4kTBR} \\
 &= \sqrt{4(1.38 \times 10^{-23})(25 + 273)(20 \times 10^3)(100 \times 10^3)} \\
 v_n &= 5.74 \mu\text{V}
 \end{aligned}$$

Example 9-3

The bandwidth of a receiver with a $75\text{-}\Omega$ input resistance is 6 MHz. The temperature is 29°C . What is the input thermal noise voltage?

$$T = 29 + 273 = 302 \text{ K}$$

$$v_n = \sqrt{4kTBR}$$

$$v_n = \sqrt{4(1.38 \times 10^{-23})(302)(6 \times 10^6)(75)} = 2.74 \mu\text{V}$$

TEMPERATURE SCALES AND CONVERSIONS

Three temperature scales are in common use: the Fahrenheit scale, expressed in degrees Fahrenheit ($^{\circ}\text{F}$); the Celsius scale (formerly centigrade), expressed in degrees Celsius ($^{\circ}\text{C}$); and the Kelvin scale, expressed in kelvins (K). The Kelvin scale, which is used by scientists, is also known as the *absolute scale*. At 0 K (-273.15°C and -459.69°F), or absolute zero, molecular motion ceases.

When calculating noise values, you will frequently need to make conversions from one of these temperature scales to another. The most common conversion formulas are given here.

$$T_C = 5(T_F - 32)/9 \quad \text{or} \quad T_C = T_K - 273$$

$$T_F = \frac{9T_C}{5} + 32$$

$$T_K = T_C + 273$$

Since noise voltage is proportional to resistance value, temperature, and bandwidth, noise voltage can be reduced by reducing resistance, temperature, and bandwidth or any combination to the minimum level acceptable for the given application. In many cases, of course, the values of resistance and bandwidth cannot be changed. One thing, however, that is always controllable to some extent is temperature. Anything that can be done to cool the circuits will greatly reduce the noise. Heat sinks, cooling fans, and good ventilation can help lower noise. Many low-noise receivers for weak microwave signals from spacecraft and in radio telescopes are supercooled; i.e., their temperature is reduced to very low (cryogenic) levels with liquid nitrogen or liquid helium.

Thermal noise can also be computed as a power page 316 level. Johnson's formula is then

$$P_n = kTB$$

where P_n is the average noise power in watts.

Note that when you are dealing with power, the value of resistance does not enter into the equation.

Example 9-4

What is the average noise power of a device operating at a temperature of 90°F with a bandwidth of 30 kHz?

$$T_C = 5(T_F - 32)/9 = 5(90 - 32)/9 = 5(58)/9 = 290/9 = 32.2^\circ\text{C}$$

$$T_K = T_C + 273 = 32.2 + 273 = 305.2 \text{ K}$$

$$P_n = (1.38 \times 10^{-23})(305.2)(30 \times 10^3) = 1.26 \times 10^{-16} \text{ W}$$

Semiconductor Noise. Electronic components such as diodes and transistors are major contributors of noise. In addition to thermal noise, semiconductors produce shot noise, transit-time noise, and flicker noise.

The most common type of *semiconductor noise* is *shot noise*. Current flow in any device is not direct and linear. The current carriers, electrons or holes, sometimes take random paths from source to destination, whether the destination is an output element, tube plate, or collector or drain in a transistor. It is this random movement that produces the shot effect. Shot noise is also produced by the random movement of electrons or holes across a PN junction. Even though current flow is established by external bias voltages, some random movement of electrons or holes will occur as a result of discontinuities in the device. For example, the interface between the copper lead and the semiconductor

material forms a discontinuity that causes random movement of the current carriers.

Semiconductor noise

Shot noise

Shot noise is also white noise in that it contains all frequencies and amplitudes over a very wide range. The amplitude of the noise voltage is unpredictable, but it does follow a Gaussian distribution curve that is a plot of the probability that specific amplitudes will occur. The amount of shot noise is directly proportional to the amount of dc bias flowing in a device. The bandwidth of the device or circuit is also important. The rms noise current in a device I_n is calculated with the formula

$$I_n = \sqrt{2qIB}$$

where q = charge on an electron, 1.6×10^{-19} C

I = direct current, A

B = bandwidth, Hz

As an example, assume a dc bias of 0.1 mA and a bandwidth of 12.5 kHz. The noise current is

$$I_n = \sqrt{2(1.6 \times 10^{-19})(0.0001)(12,500)} = \sqrt{4 \times 10^{-19}} = 0.632 \times 10^{-9} \text{ A}$$
$$I_n = 0.632 \text{ nA}$$

Now assume that the current is flowing across the emitter-base junction of a bipolar transistor. The dynamic resistance of this junction r_e' can be calculated with the expression $r_e' = 0.025/I_e$, where I_e is the emitter current. Assuming an emitter current of 1 mA, we have $r_e' = 0.025/0.001 = 25 \Omega$. The noise voltage across the junction is found with Ohm's law:

$$v_n = I_n r_e' = 0.623 \times 10^{-9} \times 25 = 15.8 \times 10^{-9} \text{ V} = 15.8 \text{ nV}$$

This amount of voltage may seem negligible, but page 317 keep in mind that the transistor has gain and will therefore amplify this variation, making it larger in the

output. Shot noise is normally lowered by keeping the transistor currents low since the noise current is proportional to the actual current. This is not true of MOSFETs, in which shot noise is relatively constant despite the current level.

Another kind of noise that occurs in transistors is called *transit-time noise*. The term *transit time* refers to how long it takes for a current carrier such as a hole or electron to move from the input to the output. The devices themselves are very tiny, so the distances involved are minimal, yet the time it takes for the current carriers to move even a short distance is finite. At low frequencies, this time is negligible; but when the frequency of operation is high and the period of the signal being processed is the same order of magnitude as the transit time, problems can occur. Transit-time noise shows up as a kind of random variation of current carriers within a device, occurring near the upper cutoff frequency. Transit-time noise is directly proportional to the frequency of operation. Since most circuits are designed to operate at a frequency much less than the transistor's upper limit, transit-time noise is rarely a problem.

Transit-time noise

A third type of semiconductor noise, *flicker noise* or excess noise, also occurs in resistors and conductors. This disturbance is the result of minute random variations of resistance in the semiconductor material. It is directly proportional to current and temperature. However, it is inversely proportional to frequency, and for this reason it is sometimes referred to as $1/f$ noise. Flicker noise is highest at the lower frequencies and thus is not pure white noise. Because of the dearth of high-frequency components, $1/f$ noise is also called *pink noise*.

Flicker noise

At some low frequency, flicker noise begins to exceed thermal and shot noise. In some transistors, this transition frequency is as low as several hundred hertz; in others, the noise may begin to rise at a frequency as high as 100 kHz. This information is listed on the transistor data sheet, the best source of noise data.

The amount of flicker noise present in resistors depends on the type of resistor. Fig. 9-21 shows the range of noise voltages produced by the various types of popular resistor types. The figures assume a common resistance, temperature, and bandwidth. Because carbon-composition resistors exhibit an enormous amount of flicker noise—an order of magnitude more than that of the other types—they are avoided in low-noise amplifiers and other circuits. Carbon and metal film resistors are much better, but metal film resistors may be more expensive. Wire-wound resistors have the least flicker noise, but are rarely used because they contribute a large inductance to the circuit, which is unacceptable in RF circuits.

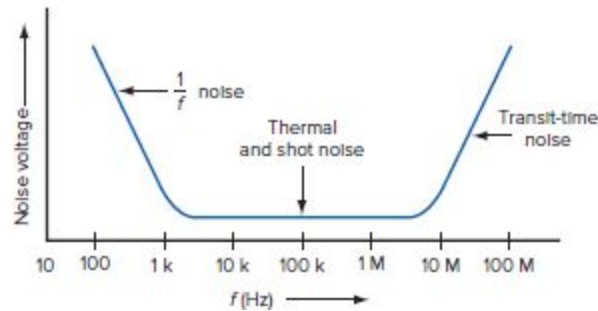
Figure 9-21 Flicker noise in resistors.

TYPE OF RESISTOR	NOISE VOLTAGE RANGE, μV
Carbon-composition	0.1–3.0
Carbon film	0.05–0.3
Metal film	0.02–0.2
Wire-wound	0.01–0.2

Fig. 9-22 shows the total noise voltage variation in a transistor, which is a composite of the various noise sources. At low frequencies, noise voltage is high, because of $1/f$ noise. At very high frequencies, the rise in noise is due to transit-time effects near the upper cutoff frequency of the device. Noise is lowest in the midrange, where most devices operate. The noise in this range is due to thermal and shot

effects, with shot noise sometimes contributing more than thermal noise.

Figure 9-22 Noise in a transistor with respect to frequency.



Intermodulation Distortion. *Intermodulation distortion* results from the generation of new signals and harmonics caused by circuit nonlinearities. As stated previously, circuits can never be perfectly linear, and if bias voltages are incorrect in an amplifier or it is driven into clipping, it is likely to be more nonlinear than intended.

Intermodulation distortion

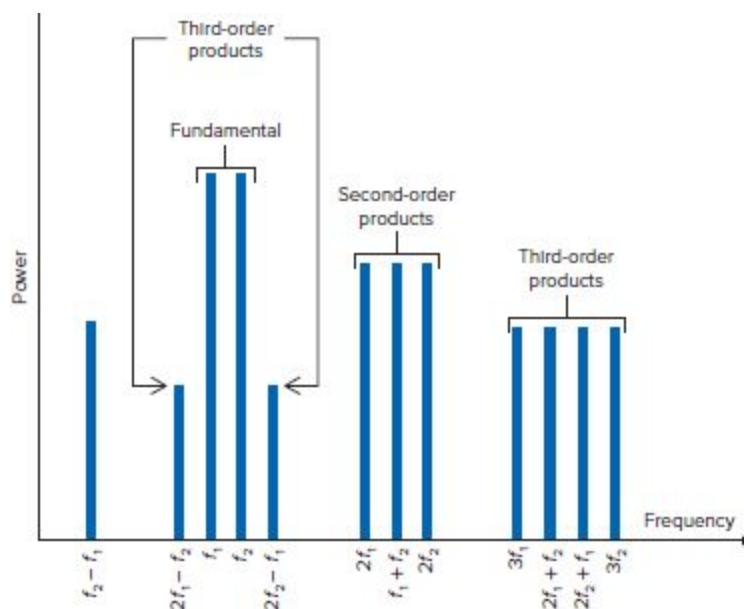
Nonlinearities produce modulation or heterodyne [page 318](#) effects. Any frequencies in the circuit mix together, forming sum and difference frequencies. When many frequencies are involved, or with pulses or rectangular waves, the large number of harmonics produces an even larger number of sum and difference frequencies.

When two signals are near the same frequency, some new sum and difference frequencies are generated by a nonlinearity, and they can appear inside the bandwidth of the amplifier. In most cases, such signals cannot be filtered out. As a result they become interfering signals to the primary signals to be amplified. They are a form of noise.

Fig. 9-23 illustrates this. Signals f_1 and f_2 appear within the bandwidth of an amplifier. Any nonlinearity generates new signals $f_1 - f_2$ and $f_1 + f_2$. In addition, these new signals

begin to mix with some of the harmonics generated by the nonlinearity ($2f_1$, $2f_2$, $3f_1$, $3f_2$, etc.). Some of these new signals will occur within the amplifier band pass. Those new signals that cause the most trouble are the so-called third-order products, specifically $2f_1 \pm f_2$ and $2f_2 \pm f_1$. See the figure. Those most likely to be in the amplifier bandwidth are $2f_1 - f_2$ and $2f_2 - f_1$. These are the third-order products. The key to minimizing these extraneous intermodulation products is to maintain good linearity through biasing and input signal level control.

Figure 9-23 An illustration of intermodulation distortion products produced from two input signals f_1 and f_2 amplifier nonlinearities.



The resulting IMD products are small in amplitude but can be large enough to constitute a disturbance that can be regarded as a type of noise. This noise, which is not white or pink, can be predicted because the frequencies involved in generating the intermodulation products are known. Because of the predictable correlation between the known frequencies and the noise, intermodulation distortion is also called *correlated noise*. Correlated noise is produced only

when signals are present. The types of noise discussed earlier are sometimes referred to as *uncorrelated noise*. Correlated noise is manifested as the low-level signals called *birdies*. It can be minimized by good design.

Correlated noise

Uncorrelated noise

Expressing Noise Levels

page 319

The noise quality of a receiver can be expressed as in terms of noise figure, noise factor, noise temperature, and SINAD.

Noise Factor and Noise Figure. The *noise factor* is the ratio of the *S/N* power at the input to the *S/N* power at the output. The device under consideration can be the entire receiver or a single amplifier stage. The noise factor or noise ratio (NR) is computed with the expression

Noise factor

Noise figure (NF)

$$NR = \frac{S/N \text{ input}}{S/N \text{ output}}$$

When the noise factor is expressed in decibels, it is called the *noise figure (NF)*:

$$NF = 10 \log NR \quad \text{dB}$$

Amplifiers and receivers always have more noise at the output than at the input because of the internal noise, which is added to the signal. And even as the signal is being amplified along the way, the noise generated in the process is amplified along with it. The *S/N* ratio at the output will be less than the *S/N* ratio of the input, and so the noise figure will always be greater than 1. A receiver that contributed no noise to the signal would have a noise figure of 1, or 0 dB,

which is not attainable in practice. A transistor amplifier in a communication receiver usually has a noise figure of several decibels. The lower the noise figure, the better the amplifier or receiver. Noise figures of less than about 2 dB are excellent.

GOOD TO KNOW

When the noise factor is expressed in decibels, it is called the noise figure.

Example 9-5

An RF amplifier has an S/N ratio of 8 at the input and an S/N ratio of 6 at the output. What are the noise factor and noise figure?

$$NR = \frac{8}{6} = 1.333$$

$$NF = 10 \log 1.3333 = 10(0.125) = 1.25 \text{ dB}$$

Noise Temperature. Most of the noise produced in a device is thermal noise, which is directly proportional to temperature. Therefore, another way to express the noise in an amplifier or a receiver is in terms of *noise temperature* T_N . Noise temperature is expressed in kelvins. Remember that the Kelvin temperature scale is related to the Celsius scale by the relationship $T_K = T_C + 273$. The relationship between noise temperature and NR is given by

Noise temperature

$$T_N = 290(NR - 1)$$

For example, if the noise ratio is 1.5, the equivalent noise temperature is $T_N = 290(1.5 - 1) = 290(0.5) = 145$ K. Clearly, if the amplifier or receiver contributes no noise, then NR will be 1, as indicated before. Plugging this value into the expression above gives an equivalent noise temperature of 0 K:

Example 9-6

A receiver with a $75\text{-}\Omega$ input resistance operates at a temperature of 31°C . The received signal is at 89 MHz with a bandwidth of 6 MHz. The received signal voltage of $8.3\ \mu\text{V}$ is applied to an amplifier with a noise figure of 2.8 dB. Find (a) the input noise power, (b) the input signal power, (c) S/N , in decibels, (d) the noise factor and S/N of the amplifier, and (e) the noise temperature of the amplifier.

$$\text{a. } T_C = 273 + 31 = 304 \text{ K}$$

$$v_n = \sqrt{4kTB\bar{R}}$$

$$v_n = \sqrt{4(1.38 \times 10^{-23})(304)(6 \times 10^6)(75)} = 2.75 \mu\text{V}$$

$$P_n = \frac{(v_n)^2}{R} = \frac{(2.75 \times 10^{-6})^2}{75} = 0.1 \text{ pW}$$

$$\text{b. } P_s = \frac{(v_s)^2}{R} = \frac{(8.3 \times 10^{-6})^2}{75} = 0.918 \text{ pW}$$

$$\text{c. } \frac{S}{N} = \frac{P_s}{P_n} = \frac{0.918}{0.1} = 9.18$$

$$\text{dB} = 10 \log \frac{S}{N} = 10 \log 9.18$$

$$\frac{S}{N} = 9.63 \text{ dB}$$

$$\text{d. } \text{NF} = 10 \log \text{NR}$$

$$\text{NR} = \text{antilog} \frac{\text{NF}}{10} = 10^{\text{NF}/10}$$

$$\text{NF} = 2.8 \text{ dB}$$

$$\text{NR} = 10^{2.8/10} = 10^{0.28} = 1.9$$

$$\text{NR} = \frac{S/N \text{ input}}{S/N \text{ output}}$$

$$\frac{S}{N} \text{ output} = \frac{S/N \text{ input}}{\text{NR}} = \frac{9.18}{1.9} = 4.83$$

$$\frac{S}{N} (\text{output}) = \frac{S}{N} (\text{amplifier})$$

$$\text{e. } T_N = 290(\text{NR} - 1) = 290(1.9 - 1) = 290(0.9) = 261 \text{ K}$$

$$T_N = 290(1 - 1) = 290(0) = 0 \text{ K}$$

If the noise ratio is greater than 1, an *equivalent noise temperature* will be produced. The equivalent noise temperature is the temperature to which a resistor equal in value to Z_o of the device would have to be raised to generate the same v_n as the device generates.

Noise temperature is used only in circuits or equipment that operates at VHF, UHF, or microwave frequencies. The noise factor or noise figure is used at lower frequencies. A good low-noise transistor or amplifier stage typically has a

noise temperature of less than 100 K. The lower the noise temperature, the better the device. Often you will see the noise temperature of a transistor given in the data sheet.

SINAD. Another way of expressing the quality and page 321 sensitivity of communication receivers is *SINAD*—the composite *signal* plus the *noise* and *distortion* divided by noise and distortion contributed by the receiver. In symbolic form,

SINAD

$$\text{SINAD} = \frac{S + N + D \text{ (composite signal)}}{N + D \text{ (receiver)}}$$

Distortion refers to the harmonics present in a signal caused by nonlinearities.

The SINAD ratio is also used to express the sensitivity of a receiver. Note that the SINAD ratio makes no attempt to discriminate between or to separate noise and distortion signals.

To obtain the SINAD ratio, an RF signal modulated by an audio signal (usually of 400 Hz or 1 kHz) is applied to the input of an amplifier or a receiver. The composite output is then measured, giving the *S+N+D* figure. Next, a highly selective notch (band-reject) filter is used to eliminate the modulating audio signal from the output, leaving the noise and distortion, or *N+D*.

The SINAD is a power ratio, and it is almost always expressed in decibels:

$$\text{SINAD} = 10 \log \frac{S + N + D}{N + D} \text{ dB}$$

SINAD is the most often used measure of sensitivity for FM receivers used in two-way radios. It can also be used for AM and SSB radios. Sensitivity is quoted as a microvolt level that will deliver a 12-dB SINAD. It has been determined that

voice can be adequately recovered intelligently with a 12-dB SINAD value. A typical sensitivity rating may be 0.35 microvolt for a 12-dB SINAD.

Noise in the Microwave Region

Noise is an important consideration at all communication frequencies, but it is particularly critical in the microwave region because noise increases with bandwidth and affects high-frequency signals more than low-frequency signals. The limiting factor in most microwave communication systems, such as satellites, radar, and radio telescope astronomy, is internal noise. In some special microwave receivers, the noise level is reduced by cooling the input stages to the receiver, as mentioned earlier. This technique is called *operating with cryogenic conditions*, the term *cryogenic* referring to very cold conditions approaching absolute zero.

Noise in Cascaded Stages

Noise has its greatest effect at the input to a receiver simply because that is the point at which the signal level is lowest. The noise performance of a receiver is invariably determined in the very first stage of the receiver, usually an RF amplifier or mixer. Design of these circuits must ensure the use of very low-noise components, taking into consideration current, resistance, bandwidth, and gain figures in the circuit. Beyond the first and second stages, noise is basically no longer a problem.

The formula used to calculate the overall noise performance of a receiver or of multiple stages of RF amplification, called *Friis' formula*, is

Friis' formula

$$NR = NR_1 + \frac{NR_2 - 1}{A_1} + \frac{NR_3 - 1}{A_1 A_2} + \dots + \frac{NR_n - 1}{A_1, A_2, \dots, A_{n-1}}$$

where NR = noise ratio

NR₁ = noise ratio of input or first amplifier to receive the signal

NR₂ = noise ratio of second amplifier

NR₃ = noise ratio of third amplifier, and so on

A₁ = power gain of first amplifier

A₂ = power gain of second amplifier

A₃ = power gain of third amplifier, and so on

Note that the noise ratio is used, rather than the page 322 noise figure, and so the gains are given in power ratios rather than in decibels.

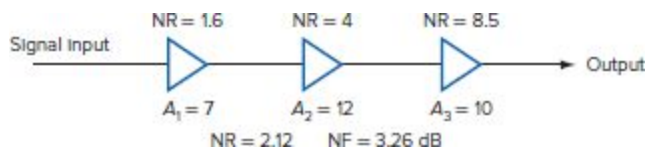
GOOD TO KNOW

Cryogenics is the science of the behavior of matter at extremely low temperatures or temperatures approaching absolute zero.

As an example, consider the circuit shown in Fig. 9-24. The overall noise ratio for the combination is calculated as follows:

$$NR = 1.6 + \frac{4 - 1}{7} + \frac{8.5 - 1}{(7)(12)} = 1.6 + 0.4286 + 0.0893 = 2.12$$

Figure 9-24 Noise in cascaded stages of amplification.



The noise figure is

$$NF = 10 \log NR = 10 \log 2.12 = 10(0.326) = 3.26 \text{ dB}$$

What this calculation means is that *the first stage controls the noise performance for the whole amplifier chain*. This is true even though stage 1 has the lowest NR, because after

the first stage, the signal is large enough to overpower the noise. This result is true for almost all receivers and other equipment incorporating multistage amplifiers.

ADDITIVE WHITE GAUSSIAN NOISE

Additive white Gaussian noise (AWGN) is a noise term you will hear when discussing the performance of receivers or communications systems in general. AWGN is not a real noise but one that is created for the purpose of testing and comparing receivers and other communications gear. It is most commonly used in digital systems testing where the measure of a system to reproduce a received signal is the bit error rate (BER). BER is the ratio of bit errors that occur to the total number of bits transmitted. For example, if 1,000,000 bits are transmitted and one error occurs, the BER is $1/1,000,000 = 10^{-6}$.

AWGN is a statistically random noise with a wide frequency range. It is the addition of a flat white or thermal noise to Gaussian noise, which is a noise that is statistically distributed in the form of a Gaussian or standard bell-shaped curve. AWGN is used in modeling or simulating receivers or communications devices like modems with mathematical algorithms in software. The software generates the noise. AWGN can also be generated with hardware in test equipment for testing. Using a standard agreed-upon type of noise allows engineers to determine which receivers, circuits, or equipment produces the best BER.

Receiver Sensitivity

As you have seen, receiver sensitivity is essentially determined by the noise level encountered in the receiver. The noise is from external sources as well as from receiver components such as transistors and resistors. The RF amplifier in the receiver front-end is the primary contributor to the noise level. For this reason, a low-noise amplifier (LNA) is essential.

The measure of receiver sensitivity can be expressed as signal-to-noise ratio (SNR), noise factor (NF), or SINAD. It can also be expressed as a microvolt level of input signal. In any case, some criterion must be stated to ensure that the sensitivity is sufficient for the application. For FM radios, the 12-dB SINAD measure is an example. It may also be a specific SNR. In digital radios, bit error rate (BER) is a common measure. Sensitivity is stated in terms of what minimum level of signal will deliver a stated BER. For instance, a receiver sensitivity may have to be at least -94 dBm for a maximum BER of 10^{-5} .

One way to calculate sensitivity is to use the expression:

$$\text{dBm} = -174 + 10 \log(B) + \text{NF (dB)} + \text{SNR (dB)}$$

The -174 dB figure is what we call the noise floor of the receiver. The noise floor is the least amount of noise for a bandwidth of 1 Hz at a room temperature of 290K (17°C) and is calculated with the expression:

$$P = kTB$$

The k is Boltzmann's constant 1.38×10^{-23} and T is 290K and B is 1 Hz. P is in watts.

$$P = (1.38 \times 10^{-23})(290)(1) = 4 \times 10^{-21}$$

$$\text{dBm} = 10 \log(4 \times 10^{-21}/.001) = -174$$

Now let's assume that a receiver with a bandwidth of 5 MHz requires an SNR of at least 10 dB to get a desired BER. The receiver noise figure is 6 dB. The minimum receiver sensitivity is:

$$\begin{aligned} \text{dBm} &= -174 + 10 \log(B) + \text{NF (dB)} + \text{SNR (dB)} = -174 + 10 \log(5000000) + 6 \\ &+ 10 \text{ dBm} = -174 + 67 + 6 + 10 = -91 \end{aligned}$$

A minimum sensitivity of -91 dBm is required.

Remember that the larger the negative number, the better the sensitivity. A sensitivity of -108 dBm is better than a -91 dBm sensitivity. The better the sensitivity, the greater the range between transmitter and receiver can be for a given transmitter output power.

9-6 Typical Receiver Circuits

This section focuses on RF and IF amplifiers, AGC and AFC circuits, and other special circuits found in receivers.

Most modern receivers use some form of integrated circuit (IC) amplifier for each of the various stages. Discrete component amplifiers with BJTs, MOSFETs, or MESFETs are occasionally used where comparable IC specifications are not available. Multiple vendors offer a wide range of IC amps including fixed-gain LNAs for the RF input stage and variable gain amplifiers (VGAs) for IF stages and AGC with the gain

varied by a dc voltage or a digital (binary) input. Almost any frequency range and gain levels are available.

RF Input Amplifiers

The most critical part of a communication receiver is the front end, which usually consists of the RF amplifier, mixer, and related tuned circuits and is sometimes simply referred to as the tuner. The RF amplifier, also called a low-noise amplifier, processes the very weak input signals, increasing their amplitude prior to mixing. It is essential that low-noise components be used to ensure a sufficiently high S/N ratio. Further, the selectivity should be such that it effectively eliminates images.

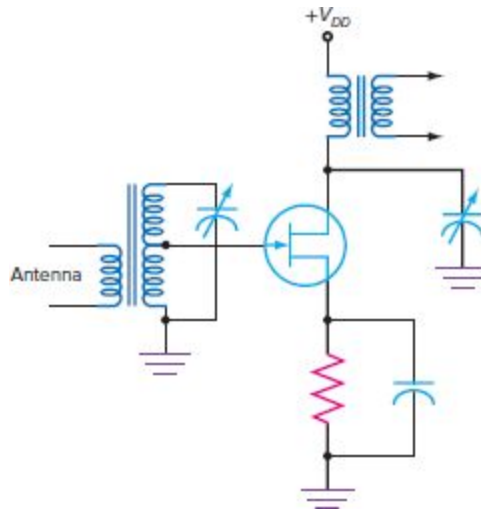
Most LNAs use a single transistor and provide a voltage gain in the 10- to 30-dB range. Bipolar transistors are used at the lower frequencies, whereas at VHF, UHF, and microwave frequencies FETs are preferred.

The *RF amplifier* is usually a simple class A circuit. A typical FET circuit is shown in Fig. 9-25. FET circuits are particularly effective because their high input impedance minimizes loading on tuned circuits, permitting the Q of the circuit to be higher and selectivity to be sharper. Most FETs also have a lower noise figure than bipolars.

RF amplifier

Figure 9-25 A typical RF amplifier used in receiver front ends.

page 324



GOOD TO KNOW

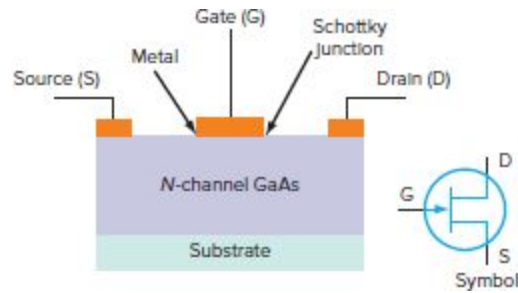
MESFETs provide high gain at high frequencies because electrons travel through gallium arsenide more quickly than through silicon. They are also the lowest-noise transistor available.

At microwave frequencies (those above 1 GHz), metal-semiconductor FETs, or *MESFETs*, are used. Also known as *GASFETs*, these devices are junction field-effect transistors made with gallium arsenide (GaAs). A cross section of a typical MESFET is shown in Fig. 9-26. The gate junction is a metal-to-semiconductor interface because it is in a Schottky or hot carrier diode. As in other junction FET circuits, the gate-to-source is reverse-biased, and the signal voltage between the source and the gate controls the conduction of current between the source and drain. The transit time of electrons through gallium arsenide is far shorter than that through silicon, allowing the MESFET to provide high gain at very high frequencies. MESFETs also have an extremely low noise figure, typically 2 dB or less. Most MESFETs have a noise temperature of less than 200 K.

MESFET

GASFET

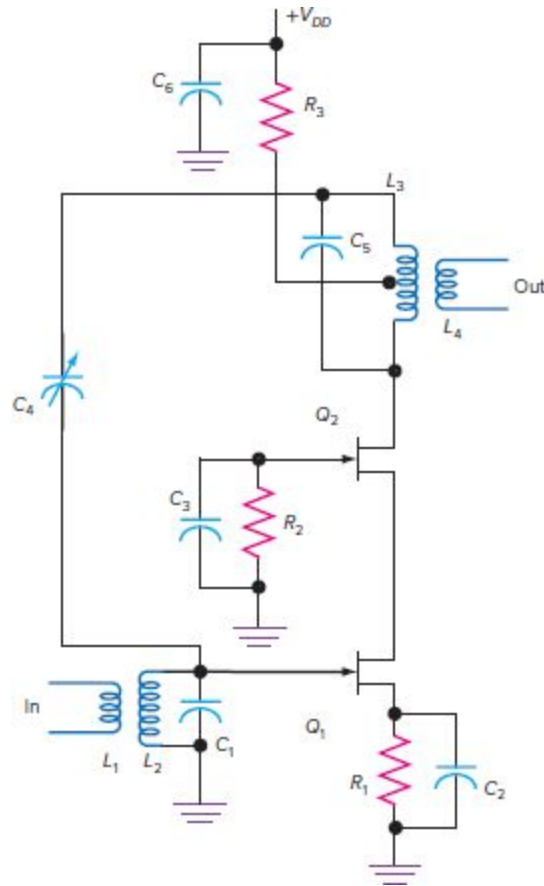
Figure 9-26 The MESFET configuration and symbol.



As semiconductor processing techniques have made transistors smaller and smaller, both bipolar and CMOS LNAs are widely used at frequencies up to 10 GHz. Silicon germanium (SiGe) is widely used to make bipolar LNAs, and BiCMOS (a mixture of bipolar and CMOS circuits) designs in silicon are also popular. Silicon is preferred because no special processing is required as with GaAs and SiGe.

Although single-stage RF amplifiers are popular, some small-signal applications require a bit more amplification before the mixer. This can be accomplished with a cascode amplifier, as shown in Fig. 9-27. This LNA uses two transistors to achieve not only low noise but also gains of 40 dB or more.

Figure 9-27 A cascode LNA.



Transistor Q_1 operates as a normal common source stage. It is directly coupled to the second-stage Q_2 , which is a common gate amplifier. The gate is at ac ground through C_3 . The frequency range is set by the input tuned circuit $L_2 - C_1$ and output tuned circuit $L_3 - C_5$. Bias is provided by R_1 .

One of the key benefits of the cascode circuit is page 325 that it effectively minimizes the effect of the Miller capacitance problem associated with single-stage RF amplifiers. The transistors used to implement these amplifiers, BJT, JFET, or MOSFET, all exhibit some form of interelectrode capacitance between collector and base (C_{cb}) in the BJT and between the drain and gate in FETs (C_{dg}). This capacitance introduces some feedback that makes it appear that a larger equivalent capacitance, called the Miller capacitance, appears between the base or gate to ground.

This equivalent Miller capacitance C_m is equal to the interelectrode capacitance multiplied by the gain of the amplifier A less 1.

$$C_m = C_{dg}(A - 1) \quad \text{or} \quad C_m = C_{cb}(A - 1)$$

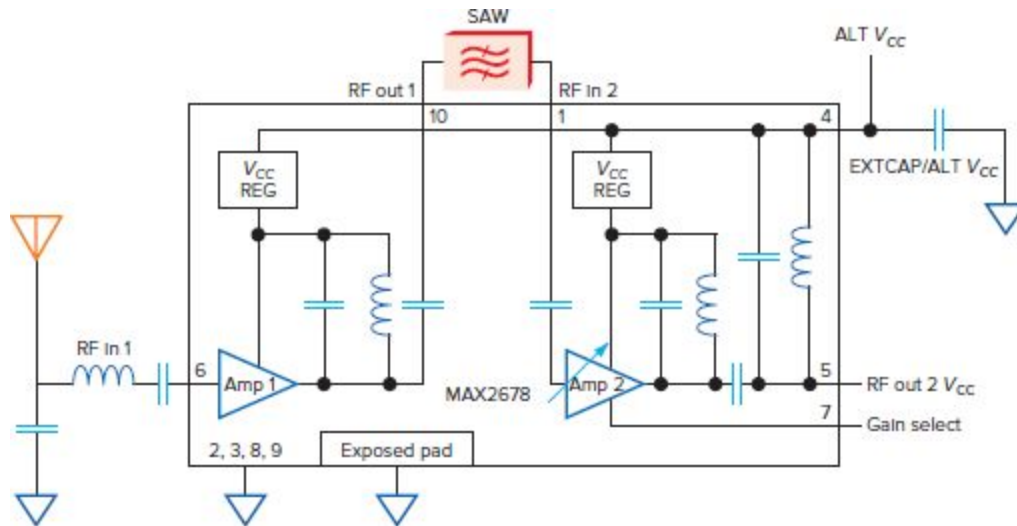
This capacitance forms a low-pass filter with the output impedance of the circuit driving the amplifier. The result is that the upper frequency limit of the amplifier is limited.

The cascode circuit of Fig. 9-27 effectively eliminates this problem because the output signal at the drain of Q_2 cannot get back to the gate of Q_1 to introduce the Miller capacitance. As a result, the cascode amplifier has a much wider upper frequency range.

Many RF amplifiers become unstable especially at VHF, UHF, and microwave frequencies because of positive feedback that occurs in the interelectrode capacitances of the transistors. This feedback can cause oscillation. To eliminate this problem, some kind of neutralization is normally used, as in RF power amplifiers. In Fig. 9-27, some of the output is feedback through neutralization capacitor c_4 . This negative feedback cancels the positive feedback and provides the necessary stability.

An example of an IC RF amplifier is shown in Fig. 9-28. This LNA is designed for use on the front end of GPS/GNSS receivers. The Global Positioning System satellites are 10,000+ mi high orbiting the earth so signals from them are very weak. High initial gain is needed to permit satisfactory navigation information to be received. The operating frequency is 1575 MHz. This LNA has two stages of amplification as shown in the figure. The first stage receives the input from the antenna via a series tuned circuit. This amp has a fixed gain in the 14- to 20-dB range with 15 dB typical and a very low noise figure of 0.9 dB.

Figure 9-28 Maxim Integrated MAX2678 LNA provides two stages of gain and accommodations for a selective SAW filter.



The second amp has variable gain of 20 dB with a noise figure of 1.8 dB. The combined maximum gain of the two amps is $15 + 20 = 35$ dB. Note in the figure that the pin connections on the IC permit an SAW filter to be inserted between the two amps for selectivity. Amplifier 2 has variable gain capability in 3.4-dB steps by applying a dc voltage to the gain select pin. The 50- Ω output impedance drives the mixer. The IC operates from a dc supply voltage in the 3 to 5.25 V range. The IC is contained in a 3 \times 3-mm surface-mount package.

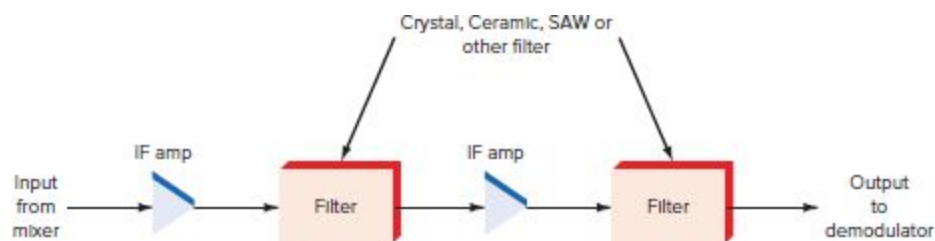
IF Amplifiers

As stated previously, most of the gain and selectivity in a superheterodyne receiver are obtained in the IF amplifier, and choosing the right IF is critical to good design. However, today most receivers are of the direct conversion type with I and Q mixers, so no IF stages are used. However, some conventional superheterodyne receivers are still used.

Traditional IF Amplifier Circuits. *IF amplifiers*, like RF amplifiers, are tuned class A amplifiers capable of providing a gain in the 10- to 30-dB range. Usually two or more IF amplifiers are used to provide adequate overall receiver gain. Fig. 9-29 shows a two-stage IF amplifier. Most IF amplifiers are integrated-circuit differential amplifiers, usually either bipolar or MOSFETs.

IF amplifier

Figure 9-29 A two-stage IF amplifier using fixed-tuned crystal, ceramic, SAW or other highly selective filter.



IF amplifiers use *crystal, ceramic, or SAW filters* for selectivity. They are typically small and require no tuning or adjustment.

Crystal filter

Ceramic filter

SAW filter

Limiters. In FM receivers, one or more of the IF page 327 amplifier stages are used as a *limiter*, to remove any amplitude variations on the FM signal before the signal is applied to the demodulator. Typically, limiters are simply conventional class A IF amplifiers. In fact, any amplifier will act as a limiter if the input signal is high enough. When a very large input signal is applied to a single transistor stage, the transistor is alternately driven between saturation and cutoff.

Limiter

GOOD TO KNOW

Any amplifier will act as a limiter if the input signal is high enough.

Driving the transistor between saturation and cutoff effectively flattens or clips off the positive and negative peaks of the input signal, removing any amplitude variations. The output signal is, therefore, a square wave. The most critical part of the limiter design is to set the initial base bias level to that point at which *symmetric clipping*—i.e., equal amounts of clipping on the positive and negative peaks—will occur. Differential amplifiers are preferred for limiters because they produce the most symmetric clipping. The square wave at the output, which is made up of many undesirable harmonics, is effectively filtered back into a sine wave by the output filter.

Automatic Gain Control Circuits

The overall gain of a communication receiver is usually selected on the basis of the weakest signal to be received. In most modern communication receivers, the voltage gain between the antenna and the demodulator is in excess of 100 dB. The RF amplifier usually has a gain in the 5- to 15-dB range. The mixer gain is in the 2- to 10-dB range, although diode mixers, if used, introduce a loss of several decibels. IF amplifiers have individual stage gains of 20 to 30 dB. Detectors of the passive diode type may introduce a loss, typically from -2 to -5 dB. The gain of the audio amplifier stage is in the 20- to 40-dB range. Assume, e.g., a circuit with the following gains:

RF amplifier	10 dB	
Mixer	-2 dB	
IF amplifiers (three stages)	27 dB	(3 × 27 = 81 total)
Demodulator	-3 dB	
Audio amplifier	32 dB	

The total gain is simply the algebraic sum of the individual stage gains, or $10 - 2 + 27 + 27 + 27 - 3 + 32 = 118$ dB.

In many cases, gain is far greater than that required for adequate reception. Excessive gain usually causes the received signal to be distorted and the transmitted information to be less intelligible. One solution to this problem is to provide gain controls in the receiver. For example, a potentiometer can be connected at some point in an RF or IF amplifier stage to control the RF gain manually. In addition, all receivers include a volume control in the audio circuit.

The gain controls cited above are used, in part, so that the overall receiver gain does not interfere with the receiver's ability to handle large signals. A more effective way of dealing with large signals, however, is to include AGC circuits. As discussed earlier, the use of AGC gives the receiver a very wide dynamic range, which is the ratio of the largest signal that can be handled to the lowest expressed in decibels. The dynamic range of a typical communication receiver with AGC is usually in the 60- to 100-dB range.

Integrated-circuit differential amplifiers are widely used as IF amplifiers. The gain of a differential amplifier is directly proportional to the amount of emitter current flowing. Because of this, the AGC voltage can be conveniently applied to the constant-current source transistor in a differential amplifier. A typical circuit is shown in Fig. 9-30. The bias on constant-current source Q_3 is adjusted by R_1 , R_2 , and R_3 to provide a fixed level of emitter current I_E to differential transistors Q_1 and Q_2 . Normally, the emitter-current value in a constant-gain stage is fixed, and the current divides between Q_1 and Q_2 . The gain is easy to control

by varying the bias on Q_3 . In the circuit shown, increasing the positive AGC voltage increases the emitter current and increases the gain. Decreasing the AGC voltage decreases the gain. Such a circuit is usually inside an integrated circuit with other related circuits.

Figure 9-30 An IF differential amplifier with AGC.

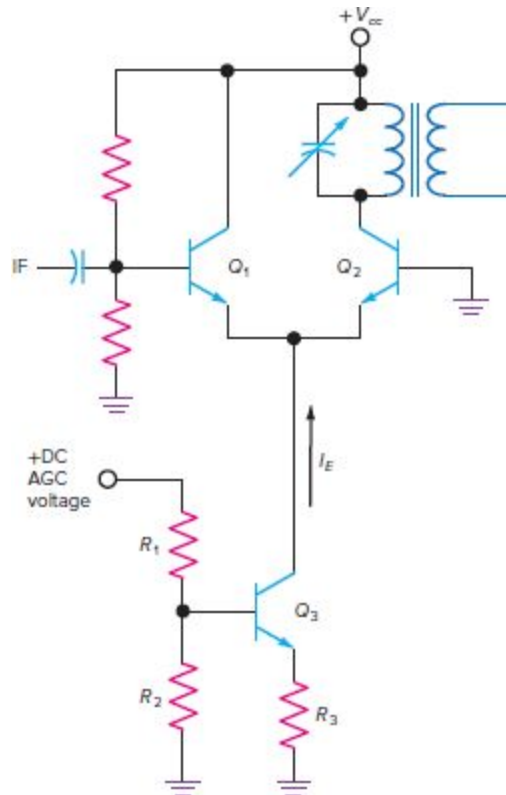
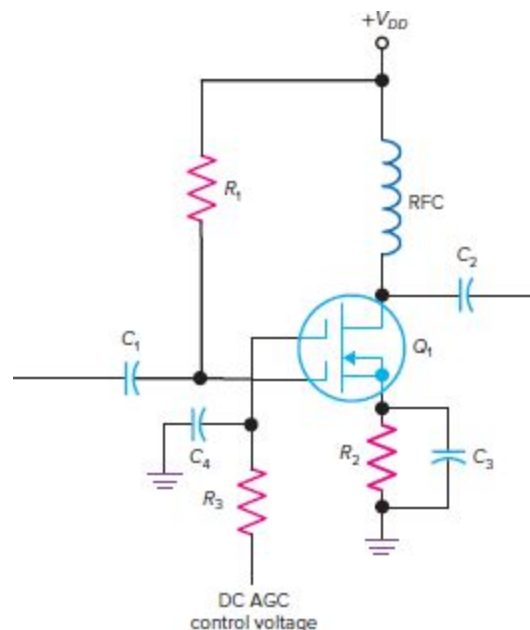


Fig. 9-31 shows another way to control the gain of an amplifier. Here Q_1 is a dual-gate depletion mode MOSFET connected as a class A amplifier. It may be the RF amplifier or an IF amplifier. The dual-gate MOSFET actually implements a cascode circuit arrangement, which is common in RF amplifiers. Normal bias is applied via R_1 to the lower gate. Additional bias is derived from the source resistor R_2 . The input signal is applied to the lower gate through C_1 . The signal is amplified and appears at the drain

where it is coupled through R_2 to the next stage. If this circuit is the RF amplifier used ahead of the mixer, LC tuned circuits are normally used at the input and output to provide some initial selectivity and impedance matching. In IF amplifiers, several stages such as this may be cascaded to provide the gain with the selectivity coming from a single crystal, ceramic, SAW, or mechanical filter at the output of the last stage.

Figure 9-31 A dual-gate MOSFET's gain can be controlled with a dc voltage on the second gate.

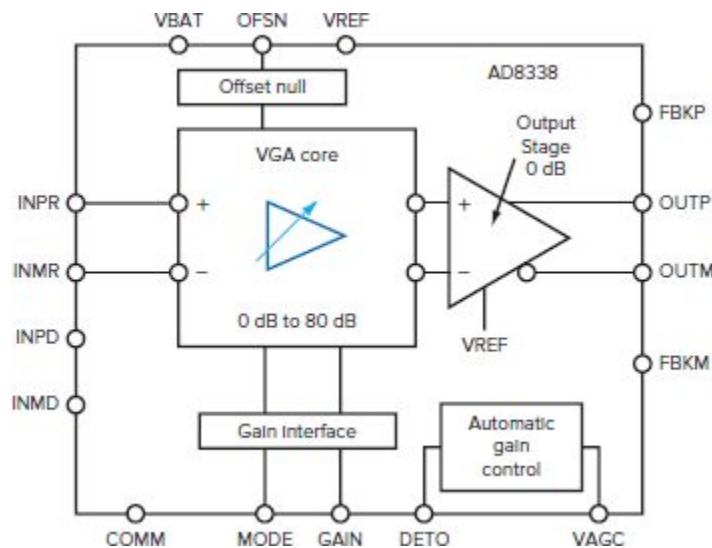


The dc AGC control voltage is applied to the page 329 second gate through R_3 . Capacitor C_4 is a filter and decoupling capacitor. Since both gates control the drain current, the AGC voltage varies the drain current which, in turn, controls the transistor gain.

In most modern receivers, the AGC circuits are simply integrated along with the IF amplifier stages inside an IC. The AGC is controlled by an input voltage derived from an external circuit.

Fig. 9-32 shows a variable gain IC IF amplifier. The AD8338 operates over the 0- to 18-MHz range. The gain range is 0 to 80 dB. The gain is set by applying a dc voltage between 0.1 and 1.1 V to the GAIN pin. The amplifiers are differential and powered by a source of 3 to 5 V. The package is a tiny 3 × 3 mm.

Figure 9-32 The Analog Devices AD8338 is an IF amplifier with variable gain for AGC. The package is only 3 x 3 mm square.

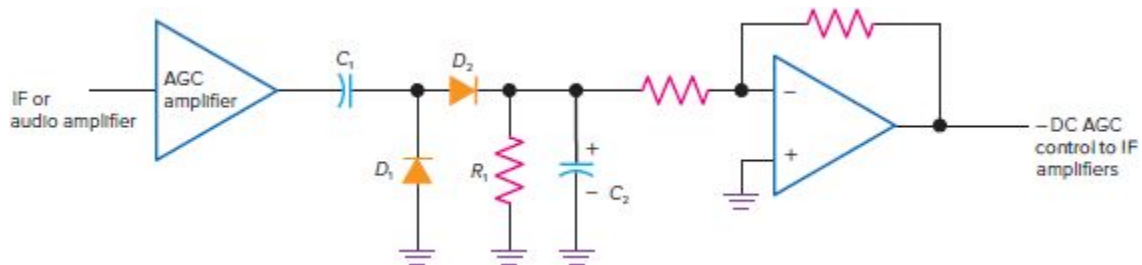


Deriving the Control Voltage. The dc voltage used to control the gain is usually derived by rectifying either the IF signal or the recovered information signal after the demodulator.

In many receivers, a special rectifier circuit devoted strictly to deriving the AGC voltage is used. Fig. 9-33 shows a typical circuit of this type. The input, which can be either the recovered modulating signal or the IF signal, is applied to an AGC amplifier. A voltage-doubler rectifier circuit made up of D_1, D_2 , and C_1 is used to increase the voltage level high enough for control purposes. The RC filter R_1-C_2 removes any signal variations and produces a pure dc voltage. In some circuits, further amplification of the dc control voltage is necessary; a simple IC op amp can be used for this purpose.

The connection of the rectifier and any phase inversion in the op amp will determine the polarity of the AGC voltage, which can be either positive or negative depending upon the types of transistors used in the IF and their bias connections.

Figure 9-33 An AGC rectifier and amplifier.



Squelch Circuits

Another circuit found in some communications receivers is a *squelch circuit*. Also called a *muting circuit*, the squelch is used to keep the receiver audio turned off until an RF signal appears at the receiver input. Most two-way communication consists of short conversations that do not take place continuously. In most cases, the receiver is left on so that if a call is received, it can be heard. When there is no RF signal at the receiver input, the audio output is simply background noise. With no input signal, the AGC sets the receiver to maximum gain, amplifying the noise to a high level. In AM systems such as CB radios, the noise level is relatively high and can be very annoying. The noise level in FM systems can also be high; in some cases, listeners may turn down the audio volume to avoid listening to the noise and possibly miss a desired signal. Squelch circuits provide a means of keeping the audio amplifier turned off during the time that noise is received in the background and enabling it when an RF signal appears at the input.

Squelch (muting) circuit

GOOD TO KNOW

Squelch circuits or muting circuits are used in systems such as CB radios to keep the receiver audio turned off until an RF signal is received.

Noise-Derived Squelch. *Noise-derived* squelch circuits, typically used in FM receivers, amplify the high-frequency background noise when no signal is present and use it to keep the audio turned off. When a signal is received, the noise circuit is overridden and the audio amplifier is turned on.

Continuous Tone-Control Squelch System. A more sophisticated form of squelch used in some systems is known as the *continuous tone-coded squelch system (CTCSS)*. This system is activated by a low-frequency tone transmitted along with the audio. The purpose of CTCSS is to provide some communication privacy on a particular channel. Other types of squelch circuits keep the speaker quiet when no input signal is received; however, in communication systems in which a particular frequency channel is extremely busy, it may be desirable to activate the squelch only when the desired signal is received. This is done by having the transmitter send a very low-frequency sine wave, usually in the 60- to 254-Hz range, that is linearly mixed with the audio before being applied to the modulator. The low-frequency tone appears at the output of the demodulator in the receiver. It is not usually heard in the speaker, since the audio response of most communication systems rolls off beginning at about 300 Hz, but can be used to activate the squelch circuit.

Continuous tone-coded squelch system (CTCSS)

Most modern transmitters using this system have a choice of multiple tone frequencies, so that different remote receivers can be addressed or keyed up independently,

providing a nearly private communication channel. The 52 most commonly used tone frequencies (given in hertz) are listed here:

60.0	79.7	97.4	118.8	141.3	165.5	183.5	203.5	233.6
67.0	82.5	100.0	120.0	146.2	167.9	186.2	206.5	241.8
69.3	85.4	103.5	123.0	151.4	171.3	189.9	210.7	250.3
71.9	88.5	107.2	127.3	156.7	173.8	192.8	218.1	254.1
74.4	91.5	110.9	131.8	159.8	177.3	196.6	225.7	
77.0	94.8	114.8	136.5	162.2	179.9	199.5	229.1	

At the receiver, a highly selective bandpass filter [page 331](#) tuned to the desired tone selects the tone at the output of the demodulator and applies it to a rectifier and RC filter to generate a dc voltage that operates the squelch circuit.

Signals that do not transmit the desired tone will not trigger the squelch. When the desired signal comes along, the low-frequency tone is received and converted to a dc voltage that operates the squelch and turns on the receiver audio.

Digitally controlled squelch systems, known as *digital coded squelch (DCS)*, are available in some modern receivers. These systems transmit a serial binary code along with the audio. There are 106 different codes used. At the receiver, the code is shifted into a shift register and decoded. If the decode AND gate recognizes the code, the squelch gate is enabled and passes the audio.

Digital coded squelch (DCS)

SSB and Continuous-Wave Reception

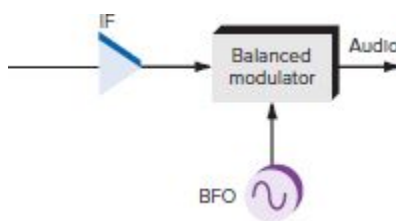
Communication receivers designed for receiving SSB or continuous-wave signals have a built-in oscillator that permits recovery of the transmitted information. This circuit, called the *beat frequency oscillator (BFO)*, is usually designed to operate near the IF and is applied to the

demodulator along with the IF signal containing the modulation.

Beat frequency oscillator (BFO)

Recall that the basic demodulator is a balanced modulator (see Fig. 9-34). A balanced modulator has two inputs, the incoming SSB signal at the intermediate frequency and a carrier that mixes with the incoming signal to produce the sum and difference frequencies, the difference being the original audio. The BFO supplies the carrier signal at the IF to the balanced modulator. The term *beat* refers to the difference frequency output. The BFO is set to a value above or below the SSB signal frequency by an amount equal to the frequency of the modulating signal. It is usually made variable so that its frequency can be adjusted for optimum reception. Varying the BFO over a narrow frequency range allows the pitch of the received audio to change from low to high. It is typically adjusted for most natural voice sounds. BFOs are also used in receiving CW code. When dots and dashes are transmitted, the carrier is turned off and on for short and long periods of time. The amplitude of the carrier does not vary, nor does its frequency; however, the on/off nature of the carrier is, in essence, a form of amplitude modulation.

Figure 9-34 The use of a BFO.



Consider for a moment what would happen if a CW signal were applied to a diode detector or other demodulator. The output of the diode detector would be pulses of dc voltage representing the dots and dashes. When applied to the

audio amplifier, the dots and dashes would blank the noise but would not be discernible. To make the dots and dashes audible, the IF signal is mixed with the signal from a BFO. The BFO signal is usually injected directly into the balanced modulator, as shown in Fig. 9-34, where the CW signal at the IF signal is mixed, or heterodyned, with the BFO signal. Since the BFO is variable, the difference frequency can be adjusted to any desired audio tone, usually in the 400- to 900-Hz range. Now the dots and dashes appear as an audio tone that is amplified and heard in a speaker or earphones. Of course, the BFO is turned off for standard AM signal reception.

9-7 Typical Receivers and Transceivers

VHF Aircraft Communication Circuit

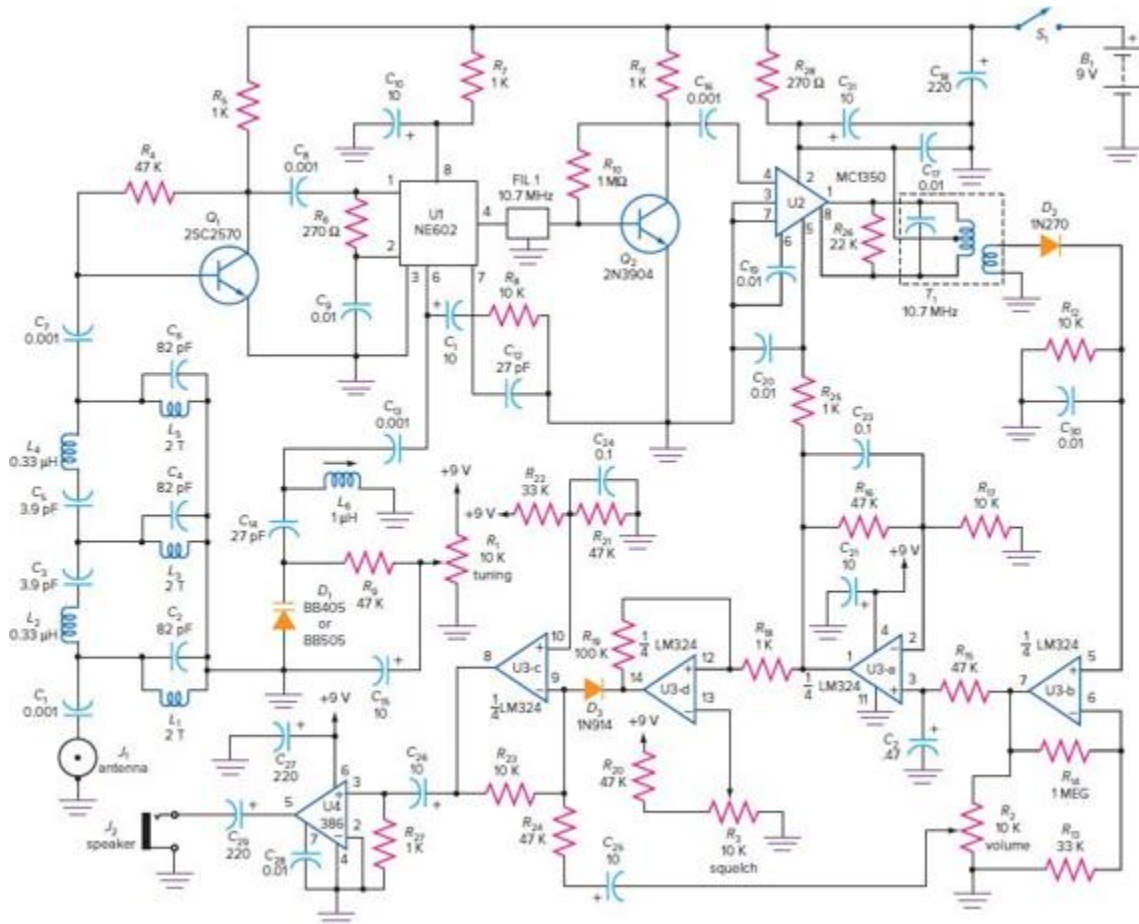
Most modern receivers are in IC form. Virtually all of the circuitry can be incorporated in a single chip. Some external discrete components are still needed but are minimal. These may include coils, bypass and tuning capacitors, antennas, crystals, filters, and in the case of audio, a power amplifier and speaker or headphones.

Some discrete designs still exist and are good examples of overall receiver architecture. The example to follow is a VHF receiver for aircraft radio. It is a good review of receiver circuits and operation.

The typical *VHF receiver* circuit shown in Fig. 9-35 is designed to receive two-way aircraft communication between planes and airport controllers, which takes place in the VHF range of 118 to 135 MHz. Amplitude modulation is used. Like most modern receivers, the circuit is a combination of discrete components and ICs.

VHF receiver

Figure 9-35 The aviation receiver—a superheterodyne unit built around four ICs—is designed to receive AM signals in the 118- to 135-MHz frequency range. (*Popular Electronics*, January 1991, Gernsback Publications, Inc.)



The signal is picked up by an antenna and fed through a transmission line to input jack J_1 . The signal is coupled through C_1 to a tuned filter consisting of the series and parallel-tuned circuits made up of L_1 - L_5 and C_2 - C_6 . This broad bandpass filter passes the entire 118- to 135-MHz range.

The output of the filter is connected to an RF amplifier through C_7 , which is made up of transistor Q_1 and its bias resistor R_4 and collector load R_5 . The signal is then applied to the NE602 IC, U_1 - C_8 , which contains a balanced mixer and a

local oscillator. The local oscillator frequency is set by the circuit made up of inductor L_6 and the related components. And C_{14} and D_1 in parallel form the capacitor that resonates with L_6 to set the frequency of the local oscillator. Tuning of the oscillator is accomplished by varying the dc bias on a varactor D_1 . Potentiometer R_1 sets the reverse bias, which in turn varies the capacitance to tune the oscillator.

A superheterodyne receiver is tuned by varying the local oscillator frequency, which is set to a frequency above the incoming signal by the amount of the IF. In this receiver, the IF is 10.7 MHz, a standard value for many VHF receivers. To tune the 118- to 135-MHz range, the local oscillator is varied from 128.7 to 145.7 MHz.

The output of the mixer, which is the difference between the incoming signal frequency and the local oscillator frequency, appears at pin 4 of the NE602 and is fed to a ceramic bandpass filter set to the IF of 10.7 MHz. This filter provides most of the receiver's selectivity. The insertion loss of the filter is made up by an amplifier made of Q_2 , its bias resistor R_{10} , and collector load R_{11} . The output of this amplifier drives an MC1350 IC through C_{16} . An integrated IF amplifier, U_2 provides extra gain and selectivity. The selectivity comes from the tuned circuit made up of IF transformer T_1 . The MC1350 also contains all the AGC circuitry.

The signal at the secondary of T_1 is then fed to a simple AM diode detector consisting of D_2, R_{12} , and C_{30} . The demodulated audio signal appears across R_{12} and is then fed to op amp U_{3b} , a noninverting circuit biased by R_{13} and R_{14} that provides extra amplification for the demodulated audio and the average direct current at the detector output. This amplifier feeds the volume control, potentiometer R_2 . The audio signal goes from there through C_{25} and R_{24} to another op amp, U_{3c} . Here the signal is further amplified and fed to the 386 IC power amplifier U_4 . This circuit drives the speaker, which is connected via jack J_2 .

The audio signal from the diode detector contains the dc level resulting from detection (rectification). Both the audio and the direct current are amplified by U_{3b} and further filtered into a nearly pure direct current by the low-pass filter made of R_{15} and C_{22} . This dc signal is applied to op amp U_{3a} , where it is amplified into a dc control voltage. This direct current at the output pin 1 of U_3 is fed back to pin 5 on the MC1350 IC to provide AGC control, ensuring a constant comfortable listening level despite wide variations in signal strength.

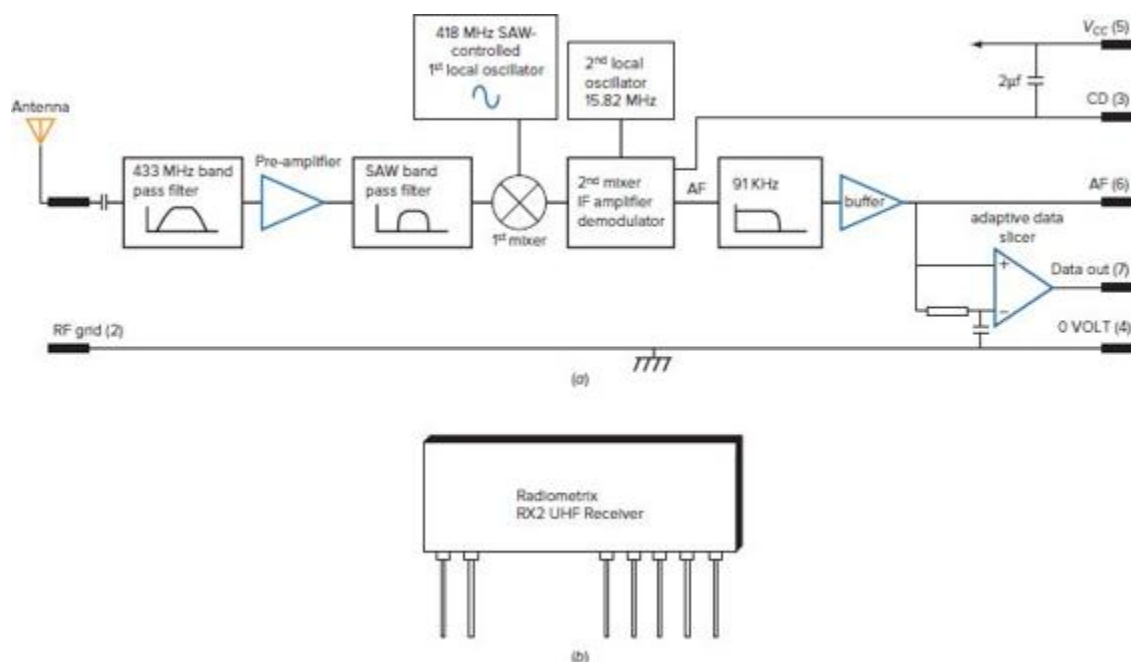
The AGC voltage from U_{3a} is also fed to an op amp [page 333](#) comparator circuit made from amplifier U_{3d} . The [page 334](#) other input to this comparator is a dc voltage from potentiometer R_3 , which is used as a squelch control. Since the AGC voltage from U_{3a} is directly proportional to the signal strength, it is used as the basis for setting the squelch to a level that will blank the receiver until a signal of a predetermined strength comes along.

If the signal strength is very low or no signal is tuned in, the AGC voltage will be very low or nonexistent. This causes D_3 to conduct, effectively disabling amplifier U_{3c} and preventing the audio signal from the volume control from passing through to the power amplifier. If a strong signal exists, D_3 will be reverse-biased and thus will not interfere with amplifier U_{3c} . As a result, the signal from the volume control passes to the power amplifier and is heard in the speaker. A modern aircraft radio like this is made up of just one or two ICs and few discrete components. It is smaller and more difficult to analyze and repair but also more reliable.

FM Receiver Module

Fig. 9-36(a) shows a receiver designed for short-range applications. Designated the RX2, it is a double conversion FM superhetrodyne that operates on the ISM band frequency of 433.92 MHz. An SAW device sets the first local oscillator to 418 MHz. The first mixer downconverts the signal to the difference frequency of $433.92 - 418 = 15.92$ MHz. A second conversion stage uses a 15.82-MHz local oscillator and mixes the signal down to $15.92 - 15.82 = 0.1$ MHz or 100 kHz. An FM demodulator recovers the baseband signal and a 91-kHz low-pass filter sets the output bandwidth. The receiver can receive analog baseband signals or OOK digital data with a maximum data rate of 160 kbps. The receiver sensitivity is -107 dBm at a 14-kbps data rate and -96 dBm at the maximum data rate of 160 kbps both at 1 ppm BER.

Figure 9-36 The Radiometrix RX2 dual-conversion FM/FSK receiver. (a) Block diagram and (b) physical package (48 × 18 mm).



The receiver is housed in a metal package as [page 335](#) shown in Fig. 9-36(b). A companion transmitter, the

TX2, is available to enable two-way communications. With a transmitter power of 9 dBm the range of transmission can extend from 75 m to 300 m depending on the antennas used and the nature of the data path.

Transceivers

In the past, communication equipment was individually packaged in units based on function, and so transmitters and receivers were almost always separate units. Today, most two-way radio communication equipment is packaged so that both transmitter and receiver are in a unit known as a *transceiver*. Transceivers range from large, high-power desktop units to small, pocket-sized, handheld units. Cell phones are transceivers as are the wireless local-area networking units on PCs.

Transceiver

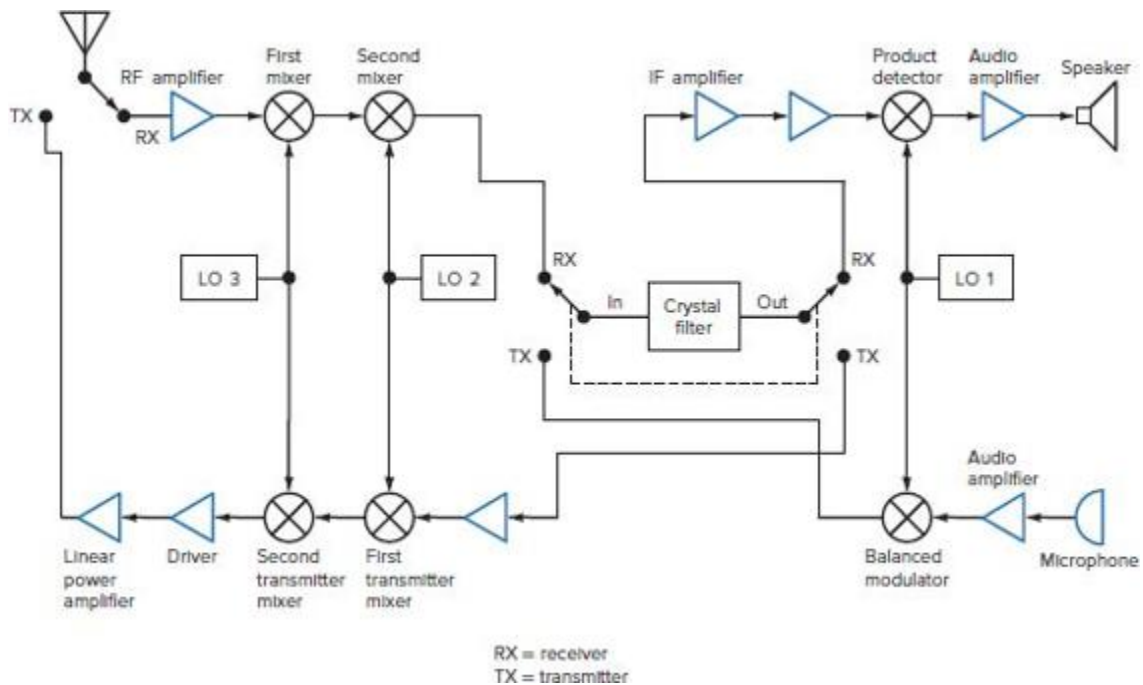
Transceivers provide many advantages. In addition to having a common housing and power supply, the transmitters and receivers can share circuits, thereby achieving cost savings and, in some cases, smaller size. Some of the circuits that can perform a dual function are antennas, oscillators, frequency synthesizers, power supplies, tuned circuits, filters, and various kinds of amplifiers. Thanks to modern semiconductor technology, most transceivers are a single silicon chip.

SSB Transceivers. Fig. 9-37 is a general block diagram of a high-frequency transceiver capable of CW and SSB operation. Both the receiver and the transmitter make use of heterodyning techniques for generating the IF and final transmission frequencies, and proper selection of these intermediate frequencies allows the transmitter and receiver to share local oscillators. Local oscillator 1 is the BFO for the receiver product detector and the carrier for the balanced

modulator for producing DSB. Later, crystal local oscillator 2 drives the second mixer in the receiver and the first transmitter mixer used for up conversion. Local oscillator 3 supplies the receiver first mixer and the second transmitter mixer.

SSB transceiver

Figure 9-37 An SSB transceiver showing circuit sharing.



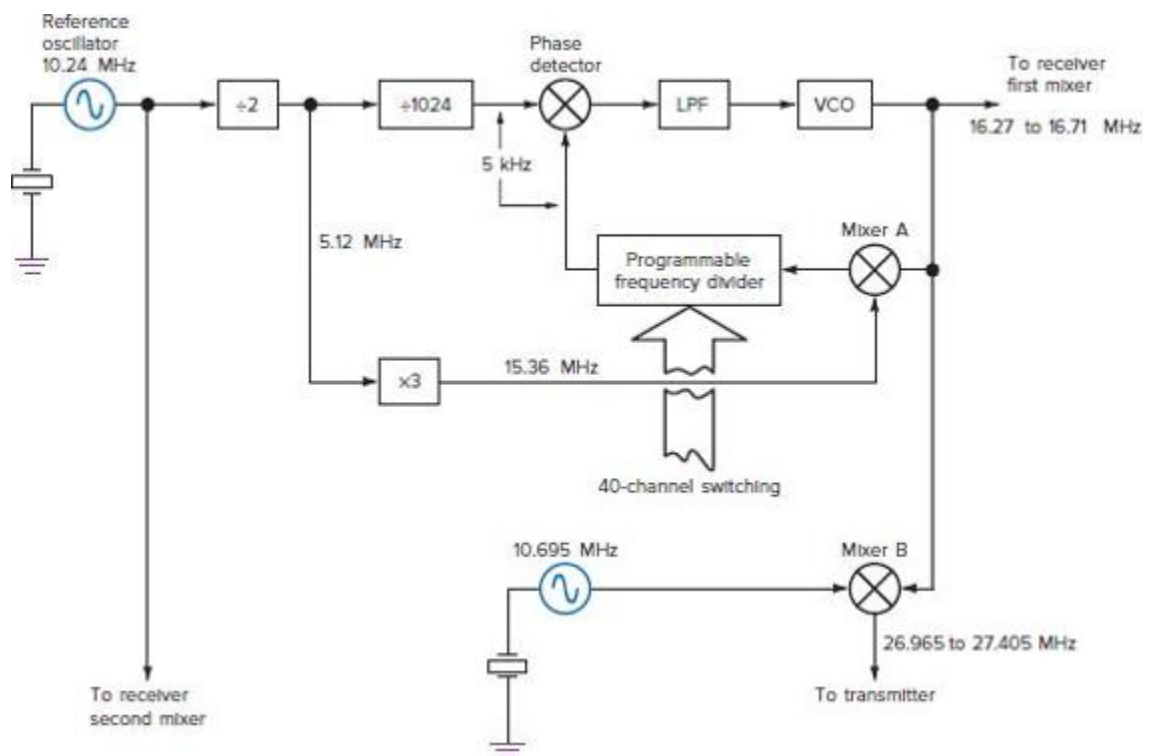
In transmission mode, the crystal filter (another [page 336](#) shared circuit) provides sideband selection after the balanced modulator. In the receive mode, the filter provides selectivity for the IF section of the receiver. Tuned circuits may be shared. A tuned circuit can be the tuned input for the receiver or the tuned output for the transmitter. Circuit switching may be manual, but is often done using relays or diode electronic switches. In most newer designs, the transmitter and receiver share a frequency synthesizer.

CB Synthesizers. Fig. 9-38 shows a PLL synthesizer for a 40-channel CB transceiver. Using two crystal oscillators for

reference and a single-loop PLL, it synthesizes the transmitter frequency and the two local oscillator frequencies for a dual-conversion receiver for all 40 CB channels. The reference crystal oscillator, which operates at 10.24 MHz, is divided by 2 with a flip-flop and then a binary frequency divider that divides by 1024 to produce a 5-kHz frequency ($10.24 \text{ MHz}/2 = 5.12 \text{ MHz}/1024 = 5 \text{ kHz}$) that is then applied to the phase detector. The channel spacing is, therefore, 5 kHz.

CB synthesizer

Figure 9-38 A frequency synthesizer for a CB transceiver.



The phase detector drives the low-pass filter and a VCO that generates a signal in the 16.27- to 16.71-MHz range. This is the local oscillator frequency for the first receiver mixer. Assume, e.g., that it is desired to receive on CB channel 1, or 26.965 MHz. The programmable divider is set to the correct ratio to produce a 5-kHz output when the VCO is 16.27. The first receiver mixer produces the difference

frequency of $26.965 - 16.27 = 10.695$ MHz. This is the first intermediate frequency. The 16.27-MHz VCO signal is also applied to mixer A; the other input to this mixer is 15.36 MHz, which is derived from the 10.24-MHz reference oscillator and a frequency tripler ($\times 3$). The output of mixer A drives the programmable divider, which feeds the phase detector. The 10.24-MHz reference output is also used as the local oscillator signal for the second receiver mixer. With a 10.695 first IF, the second IF is, then, the difference, or $10.695 - 10.24$ MHz = 0.455 MHz or 455 kHz.

The VCO output is also applied to mixer B along with a 10.695-MHz signal from a second crystal oscillator. The sum output is selected, producing the transmit frequency $10.695 + 16.27 = 26.965$ MHz. This signal drives the class C drivers and power amplifiers.

Channel selection is achieved by changing the page 337 frequency-division ratio on the programmable divider, usually with a rotary switch or a digital keypad that controls a microprocessor. The circuitry in the synthesizer is usually contained on a single IC chip.

An Important Final Consideration

Keep in mind one important thing. Modern communications equipment is implemented with ICs like those discussed here. The greatest detail that you will usually see is a block diagram and a set of specifications. You never really see the exact circuitry, which in most cases is often proprietary to the manufacturer. While some discrete component schematic diagrams are shown in this and other chapters, they are shown as learning examples and for general background and do not imply that they are used inside ICs. You should concentrate on functions and specifications of the IC and not specific circuit operation or other internal

details. It does not matter what the circuit is, whether you are a design engineer or a maintenance technician. What matters is performance and function. Usually all you need to worry about are input and output signal levels and dc power levels.

CHAPTER REVIEW

Online Activity

9-1 Becoming Familiar with IC Receiver Data Sheets

Objective: Investigate the formal manufacturer data sheets for receiver ICs.

Procedure:

1. Go to the websites for Analog Devices and Maxim Integrated and download the data sheets for the AD8338 and MAX2678 ICs discussed in this chapter.
2. Search, locate, and download the data sheets for the AD8338 and MAX2678 ICs.
3. Answer the following questions.

Questions:

1. Learn to find the key specifications like gain, operating frequency, sensitivity, and gain control method if used.
2. Give the dc supply voltage and current draw for each IC.
3. List at least three types of external components normally used with each IC.

4. Name the type, number of pins, and size of each IC package.

Questions

1. How does decreasing the Q of a resonant circuit affect its bandwidth?
2. Describe the simplest possible receiver.
3. What can happen to a modulated signal if the selectivity of a tuned circuit is too sharp?
4. What determines the selectivity of a receiver?
5. A choice is to be made between two 10.7-MHz IF filters. One has a shape factor of 2.3; the other, 1.8. Which has the better selectivity?
6. What type of receiver uses only amplifiers and a detector?
7. What type of receiver uses a mixer to convert the received signal to a lower frequency?
8. What two circuits are used to generate the IF?
9. In what stage are most of the gain and selectivity in a superheterodyne receiver obtained?
10. What circuit in a receiver compensates for a wide range of input signal levels?
11. The mixer output is usually the difference between what two input frequencies?
12. The AGC voltage controls the gain of what two stages of a receiver?
13. What do you call an interfering signal that is spaced from the desired signal by twice the IF?
14. What is the primary cause of images appearing at the mixer input?
15. What advantage does a dual-conversion superhet offer over a single-conversion superhet?
16. How can the image problem best be solved during the design of a receiver?

17. Give the expressions for the outputs of a mixer whose inputs are f_1 and f_2 .
18. Name the best type of passive mixer.
19. Name the best type of transistor mixer.
20. The process of mixing is similar to what kind of modulation?
21. What is an image reject mixer?
22. What is the primary specification of a VFO used for local oscillator duty?
23. What type of local oscillator is used in most modern receivers?
24. Why are mixers sometimes used in frequency synthesizers, as in Fig. 9-14?
25. Name the three primary sources of external noise.
26. What is a direct-conversion receiver? What are its main advantages?
27. An SDR is also a digital radio. True or False?
28. What circuit allows the receiver to receive CW signals?
29. Name the five main types of internal noise that occur in a receiver.
30. What is the primary source of atmospheric noise?
31. List four common sources of industrial noise.
32. What is the main source of internal noise in a receiver?
33. In what units is the signal-to-noise (S/N) ratio usually expressed?
34. How does increasing the temperature of a component affect its noise power?
35. How does narrowing the bandwidth of a circuit affect the noise level?
36. Name the three types of semiconductor noise.
37. True or false? The noise at the output of a receiver is less than the noise at the input.
38. What are the three components that make up SINAD?
39. What stages of a receiver contribute the most noise?

- 40.** What are the advantages and disadvantages of using an RF amplifier at the front end of a receiver?
- 41.** What is the name of the low-noise transistor preferred in RF amplifiers at microwave frequencies?
- 42.** What types of mixer have a loss?
- 43.** How is the selectivity usually obtained in a modern IF amplifier?
- 44.** What is AWGN?
- 45.** What is the name given to an IF amplifier that clips the positive and negative peaks of a signal?
- 46.** Why is clipping allowed to occur in an IF stage?
- 47.** What type of IC implements AGC?
- 48.** What is the overall RF-IF gain range of a receiver?
- 49.** What is the process of using the amplitude of an incoming signal to control the gain of a receiver?
- 50.** How is a radio tuned to select a station?
- 51.** How is the gain of a differential amplifier varied to produce AGC?
- 52.** What are two names for the circuit that blocks the audio until a signal is received?
- 53.** How do you determine the local oscillator frequency in a direct conversion receiver?
- 54.** Describe the purpose and operation of a CTCSS in a receiver.
- 55.** A BFO is required to receive what two types of signals?
- 56.** What two ICs make digital radios possible?
- 57.** Name the three main sources of selectivity for receivers implemented with ICs.
- 58.** In a single chip transceiver, how is the frequency of operation changed?
- 59.** In a transceiver, what circuitry could be commonly shared by the receiver and the transmitter?
- 60.** What are the circuits shared by the transmitter and receiver in an SSB transceiver?
- 61.** The phase-locked loop is often combined with what circuit to produce multiple frequencies in a transceiver?

- 62.** The synthesizer in a transceiver usually generates what frequencies?

The following questions refer to the receiver in Fig. 9-35.

- 63.** What components or circuits determine the bandwidth of the receiver?
- 64.** As R_1 is varied so that the voltage on the arm of the potentiometer increases toward +9 V, how does the frequency of the local oscillator vary?
- 65.** What component provides most of the gain in this receiver?
- 66.** Is the squelch signal- or noise-derived?
- 67.** Does this receiver contain a BFO?
- 68.** Could this circuit receive CW or SSB signals?
- 69.** If the dc AGC voltage on pin 5 of U_2 is decreased, what happens to the gain of U_2 ?
- 70.** Where would an audio signal be injected to test the complete audio section of this receiver?
- 71.** What frequency signal would be used to test the IF section of this receiver, and where would it be connected?
- 72.** What component would be inoperable if C_{31} became shorted?

Problems

- 1.** A tuned circuit has a Q of 80 at its resonant frequency of 480 kHz. What is its bandwidth? ◆
- 2.** A parallel LC tuned circuit has a coil of 4 μH and a capacitance of 68 pF. The coil resistance is 9 Ω . What is the circuit bandwidth?
- 3.** A tuned circuit has a resonant frequency of 18 MHz and a bandwidth of 120 kHz. What are the upper and lower cutoff frequencies? ◆
- 4.** What value of Q is needed to achieve a bandwidth of 4 kHz at 3.6 MHz?

5. A filter has a 6-dB bandwidth of 3500 Hz and a 60-dB bandwidth of 8400 Hz. What is the shape factor? ◆
6. A superhet has an input signal of 14.5 MHz. The local oscillator is tuned to 19 MHz. What is the IF?
7. A desired signal at 29 MHz is mixed with a local oscillator of 37.5 MHz. What is the image frequency? ◆
8. A dual-conversion superhet has an input frequency of 62 MHz and local oscillators of 71 and 8.6 MHz. What are the two IFs?
9. What are the outputs of a mixer with inputs of 162 and 189 MHz? ◆
10. What is the most likely IF for a mixer with inputs of 162 and 189 MHz?
11. A frequency synthesizer like the one in Fig. 9-14 has a reference frequency of 100 kHz. The crystal oscillator and the multiplier supply a signal of 240 MHz to the mixer. The frequency divider is set to 1500. What is the VCO output frequency?
12. A frequency synthesizer has a phase detector input reference of 12.5 kHz. The divider ratio is 295. What are the output frequency and the frequency change increment?
13. The signal input power to a receiver is 6.2 nW. The noise power is 1.8 nW. What is the S/N ratio? What is the S/N ratio in decibels?
14. What is the noise voltage produced across a $50\text{-}\Omega$ input resistance at a temperature of 25°C with a bandwidth of 2.5 MHz?
15. At what frequencies is noise temperature used to express the noise in a system?
16. The noise ratio of an amplifier is 1.8. What is the noise temperature in kelvins?
17. Which receiver sensitivity rating is best? -87 dBm or -126 dBm.

- 18.** What is the minimum sensitivity necessary for a receiver with a noise figure of 5 dB, an SNR of 11 dB, and a bandwidth of 10 MHz to achieve a 10^{-5} BER?

◆ *Answers to Selected Problems follow Chap. 23.*

Critical Thinking

1. Why is a noise temperature of 155 K a better rating than a noise temperature of 210 K?
2. An FM transceiver operates on a frequency of 470.6 MHz. The first IF is 45 MHz and the second IF is 500 kHz. The transmitter has a frequency-multiplier chain of $2 \times 2 \times 3$. What three signals must the frequency synthesizer generate for the transmitter and two mixers in the receiver?
3. Explain how a digital counter could be connected to the receiver in Fig. 9-35 so that it would read the frequency of the signal to which it was tuned.
4. The circuits in a superheterodyne receiver have the following gains: RF amplifier, 8 dB; mixer, -2.5 dB; IF amplifier, 80 dB; demodulator, -0.8 dB; audio amplifier, 23 dB. What is the total gain?
5. A superheterodyne receiver receives a signal on 10.8 MHz. It is amplitude-modulated by a 700-Hz tone. The local oscillator is set to the signal frequency. What is the IF? What is the output of a diode detector demodulator?

Digital Data Transmission

Most communications applications send digital data over communication channels. This has resulted in the need for efficient methods of transmission, conversion, and reception of digital data. As with analog data, the amount of digital information that can be transmitted is proportional to the bandwidth of the communication channel and the time of transmission. This chapter further develops some of the basic concepts and equipment used in the transmission of digital data, including some mathematical principles that apply to transmission efficiency, and discusses the development of digital modulation, standards, error detection and correction methods, and related techniques.

Objectives

After completing this chapter, you will be able to:

- Explain the difference between asynchronous and synchronous data transmission.
- State the relationship between communication channel bandwidth and data rate in bits per second.
- Name the four basic types of encoding used in the serial transmission of data.
- Describe the generation of FSK, PSK, QAM, and OFDM.

- Explain the operation and benefits of spread spectrum and OFDM systems.
- Name three types of data modems and explain how they operate.
- Explain the need for and types of communication protocols.
- Compare and contrast redundancy, parity, block-check sequences, cyclical redundancy checks, and forward error correction.

10-1 Digital Codes

Most data transmitted today is digital rather than analog. It may be voice, video, sensor readings, or database files. However, regardless of what the data is, it comes in a variety of formats and is transmitted in many different ways. This chapter explores the basic data formats and the way it is transmitted.

Early Digital Codes

The first digital code was created by the inventor of the telegraph, Samuel Morse. The *Morse code* was originally designed for wired telegraph communication but was later adapted for radio communication. It consists of a series of “dots” and “dashes” that represent letters of the alphabet, numbers, and punctuation marks. This on/off code is shown in Fig. 10-1. A dot is a short burst of RF energy, and a dash is a burst of RF that is three times longer than a dot. The dot and dash on periods are separated by dot-length spaces or off periods. With special training, people can easily send and receive messages at speeds ranging from 15 to 20 words per minute to 70 to 80 words per minute.

Morse code

Figure 10-1 The Morse code. A dot (.) is a short click; a dash (—) is a long click.

A	•—	N	—•	,	—••—
B	—•••	O	— — —	.	•—•—•—
C	—•—•	P	•—•—•	1	•— — — —
D	—•••	Q	—•—•—	2	••— — —
E	•	R	•—•	3	•••— —
F	••—•	S	•••	4	••••—
G	—•—•	T	—	5	•••••
H	••••	U	••—	6	—••••
I	••	V	•••—	7	— — •••
J	•— — —	W	•—•—	8	— — — ••
K	—••—	X	—••—	9	— — — — •
L	•—••	Y	—•—•—	0	— — — — —
M	— —	Z	— — ••		

The earliest radio communication was also carried out by using the Morse code of dots and dashes to send messages. A hand-operated telegraph key turned the carrier of a transmitter off and on to produce the dots and dashes. These were detected at the receiver and mentally converted by an operator back to the letters and numbers making up the message. This type of radio communication is known as *continuous-wave (CW) transmission*.

Continuous-wave (CW)

Another early binary data code was the *Baudot* (pronounced *baw-dough*) code used in the early teletype machine, a device for sending and receiving coded signals over a communication link. With teletype machines, it was no longer necessary for operators to learn Morse code. Whenever a key on the typewriter keyboard is pressed, a unique code is generated and transmitted to the receiving machine, which recognizes and then prints the corresponding letter, number, or symbol. The Baudot code used 5 bits to represent letters, numbers, and symbols.

Baudot code

The Baudot code is not used today, having been supplanted by codes that can represent more characters and symbols.

Modern Binary Codes

Binary code

For modern data communication, information is transmitted by using a system in which the numbers and letters to be represented are coded, usually by way of a keyboard, and the binary word representing each character is stored in a computer memory. The message can also be stored on magnetic tape or disk. The following sections describe some widely used codes for transmission of digitized data.

American Standard Code for Information Interchange page 342. The most widely used data communication code is the 7-bit binary code known as the *American Standard Code for Information Interchange* (abbreviated ASCII and pronounced *ass-key*), which can represent 128 numbers, letters, punctuation marks, and other symbols (see Fig. 10-2). With ASCII, a sufficient number of code combinations are available to represent both uppercase and lowercase letters of the alphabet.

American Standard Code for Information Interchange (ASCII)

Figure 10-2 The popular ASCII code.

Bit:	6	5	4	3	2	1	0	Bit:	6	5	4	3	2	1	0	Bit:	6	5	4	3	2	1	0
NUL	0	0	0	0	0	0	0	+	0	1	0	1	0	1	1	V	1	0	1	0	1	1	0
SOH	0	0	0	0	0	0	1	,	0	1	0	1	1	0	0	W	1	0	1	0	1	1	1
STX	0	0	0	0	0	1	0	.	0	1	0	1	1	0	1	X	1	0	1	1	0	0	0
ETX	0	0	0	0	0	1	1	/	0	1	0	1	1	1	0	Y	1	0	1	1	0	0	1
EOT	0	0	0	0	1	0	0	0	0	1	1	0	0	0	0	Z	1	0	1	1	0	1	0
ENQ	0	0	0	0	1	0	1	1	0	1	1	0	0	0	0	[1	0	1	1	0	1	1
ACK	0	0	0	0	1	1	0	1	0	1	1	0	0	0	1	E	1	0	1	1	1	0	0
BEL	0	0	0	0	1	1	1	2	0	1	1	0	0	1	0]	1	0	1	1	1	0	1
BS	0	0	0	1	0	0	0	3	0	1	1	0	0	1	1	^	1	0	1	1	1	1	0
HT	0	0	0	1	0	0	1	4	0	1	1	0	0	1	0	-	1	0	1	1	1	1	1
NL	0	0	0	1	0	1	0	5	0	1	1	0	1	0	1	i	1	1	0	0	0	0	0
VT	0	0	0	1	0	1	1	6	0	1	1	0	1	1	0	a	1	1	0	0	0	0	1
FF	0	0	0	1	1	0	0	7	0	1	1	0	1	1	1	b	1	1	0	0	0	1	0
CR	0	0	0	1	1	0	1	8	0	1	1	1	0	0	0	c	1	1	0	0	0	1	1
SO	0	0	0	1	1	1	0	9	0	1	1	1	0	0	1	d	1	1	0	0	1	0	0
SI	0	0	0	1	1	1	1	:	0	1	1	1	0	1	0	e	1	1	0	0	1	0	1
DLE	0	0	1	0	0	0	0	;	0	1	1	1	0	1	1	f	1	1	0	0	1	1	0
DC1	0	0	1	0	0	0	1	<	0	1	1	1	1	0	0	g	1	1	0	0	1	1	1
DC2	0	0	1	0	0	1	0	=	0	1	1	1	1	0	1	h	1	1	0	1	0	0	0
DC3	0	0	1	0	0	1	1	>	0	1	1	1	1	1	0	i	1	1	0	1	0	0	1
DC4	0	0	1	0	1	0	0	?	0	1	1	1	1	1	1	j	1	1	0	1	0	1	0
NAK	0	0	1	0	1	0	1	@	1	0	0	0	0	0	0	k	1	1	0	1	0	1	1
SYN	0	0	1	0	1	1	0	A	1	0	0	0	0	0	1	l	1	1	0	1	1	0	0
ETB	0	0	1	0	1	1	1	B	1	0	0	0	0	1	0	m	1	1	0	1	1	0	1
CAN	0	0	1	1	0	0	0	C	1	0	0	0	0	1	1	n	1	1	0	1	1	1	0
EM	0	0	1	1	0	0	1	D	1	0	0	0	1	0	0	o	1	1	0	1	1	1	1
SUB	0	0	1	1	0	1	0	E	1	0	0	0	1	0	1	p	1	1	1	0	0	0	0
ESC	0	0	1	1	0	1	1	F	1	0	0	0	1	1	0	q	1	1	1	0	0	0	1
FS	0	0	1	1	1	0	0	G	1	0	0	0	1	1	1	r	1	1	1	0	0	1	0
GS	0	0	1	1	1	0	1	H	1	0	0	1	0	0	0	s	1	1	1	0	0	1	1
RS	0	0	1	1	1	1	0	I	1	0	0	1	0	0	1	t	1	1	1	0	1	0	0
US	0	0	1	1	1	1	1	J	1	0	0	1	0	1	0	u	1	1	1	0	1	0	1
SP	0	1	0	0	0	0	0	K	1	0	0	1	0	1	1	v	1	1	1	0	1	1	0
!	0	1	0	0	0	0	1	L	1	0	0	1	1	0	0	w	1	1	1	0	1	1	1
*	0	1	0	0	0	1	0	M	1	0	0	1	1	0	1	x	1	1	1	1	0	0	0
#	0	1	0	0	0	1	1	N	1	0	0	1	1	1	0	y	1	1	1	1	0	0	1
\$	0	1	0	0	1	0	0	O	1	0	0	1	1	1	1	z	1	1	1	1	0	1	0
%	0	1	0	0	1	0	1	P	1	0	1	0	0	0	0	{	1	1	1	1	0	1	1
&	0	1	0	0	1	1	0	Q	1	0	1	0	0	0	1	!	1	1	1	1	1	0	0
'	0	1	0	0	1	1	1	R	1	0	1	0	0	1	0	}	1	1	1	1	1	0	0
(0	1	0	1	0	0	0	S	1	0	1	0	0	1	1		1	1	1	1	1	1	0
)	0	1	0	1	0	0	1	T	1	0	1	0	1	0	0	DEL	1	1	1	1	1	1	1
.	0	1	0	1	0	1	0	U	1	0	1	0	1	0	1								

NUL = null	HT = horizontal tab	DC2 = device control 2	FS = field separator
SOH = start of heading	NL = new line	DC3 = device control 3	GS = group separator
STX = start of text	VT = vertical tab	DC4 = device control 4	RS = record separator
ETX = end of text	FF = form feed	NAK = negative acknowledge	US = unit separator
EOT = end of transmission	CR = carriage return	SYN = synchronous	SP = space
ENQ = enquiry	SO = shift-out	ETB = end of transmission block	DEL = delete
ACK = acknowledge	SI = shift-in	CAN = cancel	
BEL = bell	DLE = data link escape	SUB = substitute	
BS = back space	DC1 = device control 1	ESC = escape	

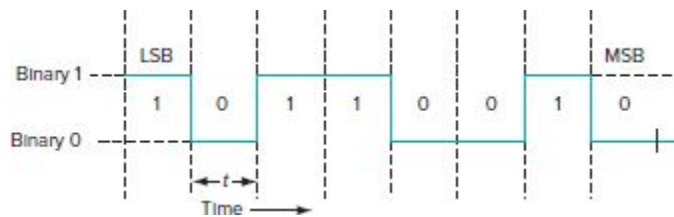
The first ASCII codes listed in Fig. 10-2 have two- and three-letter designations. These codes initiate operations or provide responses for inquiries. For example, BEL or 0000111 will ring a bell or a buzzer; CR is carriage return; SP is a space, such as that between words in a sentence; ACK means “acknowledge that a transmission was received”; STX and ETX are start and end of text,

respectively; and SYN is a synchronization word that provides a way to get transmission and reception in step with each other. The meanings of all the letter codes are given at the bottom of the table.

Hexadecimal Values. Binary codes are often page 343 expressed by using their *hexadecimal*, rather than decimal, values. To convert a binary code to its hexadecimal equivalent, first divide the code into 4-bit groups, starting at the least significant bit on the right and working to the left. (Assume a leading 0 on each of the codes.) The hexadecimal equivalents for the binary codes for the decimal numbers 0 through 9 and the letters A through F are given in Fig. 10-3.

Hexadecimal

Figure 10-3 Serial transmission of the ASCII letter M.



Two examples of ASCII-to-hexadecimal conversion are as follows:

1. The ASCII code for the number 4 is 0110100. Add a leading 0 to make 8 bits and then divide into 4-bit groups: $00110100 = 0011\ 0100 = \text{hex } 34$.
2. The letter w in ASCII is 1110111. Add a leading 0 to get 01110111; $01110111 = 0111\ 0111 = \text{hex } 77$.

GOOD TO KNOW

The transmitters used in garage door openers are modulated by binary-coded pulses.

10-2 Principles of Digital Transmission

As indicated in Chap. 7, data can be transmitted in two ways: parallel and serial.

Serial Transmission

Parallel data transmission is not practical for long-distance communication. Data transfers in long-distance communication systems are made serially; each bit of a word is transmitted one after another (see Fig. 10-3). The figure shows the ASCII form for the letter M (1001101) being transmitted 1 bit at a time. The LSB is transmitted first, and the MSB last. The MSB is on the right, indicating that it was transmitted later in time. Each bit is transmitted for a fixed interval of time t . The voltage levels representing each bit appear on a single data line one after another until the entire word has been transmitted. For example, the bit interval may be $10\ \mu\text{s}$, which means that the voltage level for each bit in the word appears for $10\ \mu\text{s}$. It would therefore take $70\ \mu\text{s}$ to transmit a 7-bit ASCII word.

Expressing the Serial Data Rate. The speed of data transfer is usually indicated as number of bits per second (bps or b/s). Some data rates take place at relatively slow speeds, usually a few hundred or several thousand bits per second. However, in some data communication systems, such as the Internet and local-area networks, bit rates as high as hundreds of billions of bits per second are used.

The speed of serial transmission is, of course, related to the bit time of the serial data. The speed in bits per second, denoted by bps, is the reciprocal of the bit time t , or $\text{bps} = 1/t$.

For example, assume a bit time of $104.17 \mu\text{s}$. The speed is
 $\text{bps} = 1/104.17 \times 10^{-6} = 9600 \text{ bps}$.

If the speed in bits per second is known, the bit page 344
time can be found by rearranging the formula:
 $t = 1/\text{bps}$. For example, the bit time at 230.4 kbps (230,400 bps)
is $t = 1/230,400 = 4.34 \times 10^{-6} = 4.34 \mu\text{s}$.

Symbols and Baud Rate. Another term used to express the data speed in digital communication systems is *baud rate*. Baud rate is the number of signaling elements or symbols that occur in a given unit of time, such as 1 s. A *signaling element* is simply some change in the signal transmitted. In many cases, it is a binary logic voltage level change, either 0 or 1, in which case, the baud rate is equal to the data rate in bits per second. In summary, the baud rate is the reciprocal of the smallest signaling interval.

Baud rate

$$\text{Bit rate} = \text{baud rate} \times \text{bit per symbol}$$

$$\text{Bit rate} = \text{baud rate} \times \log_2 S$$

where S = number of states per symbol

The symbol or signaling element can also be one of several discrete signal amplitudes, frequencies, or phase shifts, each of which represents 2 data bits or more. Several unique modulation schemes have been developed so that each symbol or baud can represent multiple bits. The number of symbol changes per unit of time is no higher than the straight binary bit rate, but more bits per unit time are transmitted. Multiple symbol changes can be combined to further increase transmission speed. For example, a popular form of modulation known as *quadrature amplitude modulation (QAM)* combines multiple amplitude levels with multiple phase shifts to produce many bits per baud. (QAM is discussed later in this chapter.) Each symbol is a unique

amplitude level combined with a unique phase shift that corresponds to a group of bits. Multiple amplitude levels may also be combined with different frequencies in FSK to produce higher bit rates. As a result, higher bit rates can be transmitted over telephone lines or other severely bandwidth-limited communication channels that would not ordinarily be able to handle them. Several of these modulation methods are discussed later.

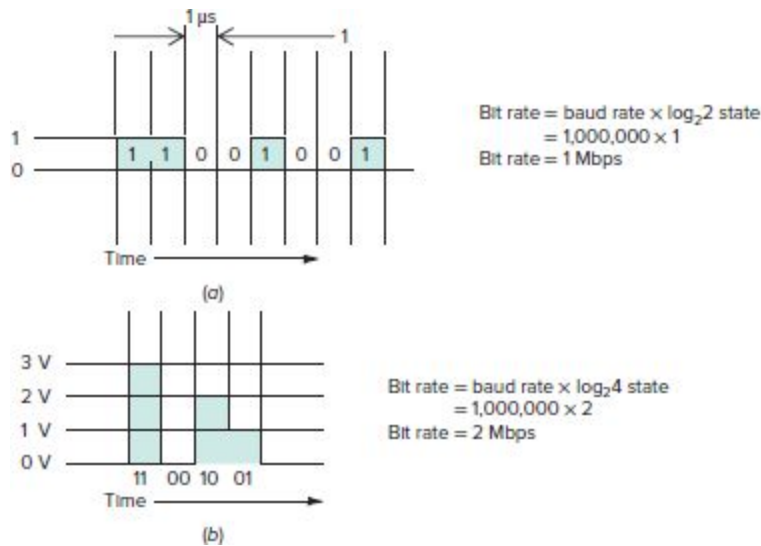
Quadrature amplitude modulation (QAM)

Assume, e.g., a system that represents 2 bits of data as different voltage levels. With 2 bits, there are $2^2 = 4$ possible levels, and a discrete voltage is assigned to each.

00	0	V
01	1	V
10	2	V
11	3	V

In this system, sometimes called pulse-amplitude modulation (PAM), PAM4 in this case, each of the four symbols is one of four different voltage levels. Each level is a different symbol representing 2 bits. Assume, e.g., that it is desired to transmit the decimal number 201, which is binary 11001001. The number can be transmitted serially as a sequence of equally spaced pulses that are either on or off [see Fig. 10-4(a)]. If each bit interval is $1 \mu\text{s}$, the bit rate is $1/1 \times 10^{-6} = 1,000,000$ bps (1 Mbps). The baud rate is also 1 million bps.

Figure 10-4 The bit rate can be higher than the baud rate when each symbol represents 2 or more bits. (a) Bit rate=baud rate=1 bit/ms=1,00,000 bps=1 Mbps. (b) Baud rate=1 symbol/ms=1,000,000 baud rate; bit rate=2 bits/Baud=2,000,000 bps.



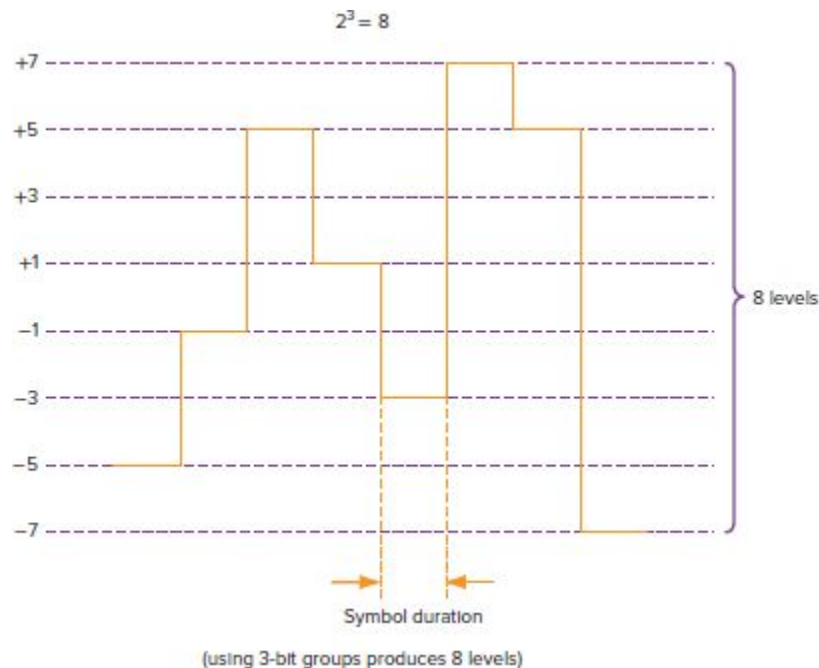
Using the four-level system, we could also divide the word to be transmitted into 2-bit groups and transmit the appropriate voltage level representing each. The number 11001001 would be divided into these groups: 11 00 10 01. Thus the transmitted signal would be voltage levels of 3, 0, 2, and 1 V, each occurring for a fixed interval of, say, 1 μs [see Fig. 10-4(b)]. The baud rate is still 1 million because there is only one symbol or level per time interval (1 μs). However, the bit rate is 2 million bps—double the baud rate—because each symbol represents 2 bits. We are transmitting 2 bits per baud. You will sometimes see this referred to as bits per hertz or bits/Hz. The total transmission time is also shorter. It would take 8 μs to transmit the 8-bit binary word but only 4 μs to transmit the four-level signal. The bit rate is greater than the baud rate because multiple levels are used.

The PAM4 signal in Fig. 10-4(b) can be transmitted over a cable. In wireless applications, this signal would first modulate a carrier before being transmitted. Any type of modulation can be used, but PSK is the most common.

A good example of modern PAM is the system page 345 used in U.S. digital high-definition television

(HDTV). The video and audio to be transmitted are put into serial digital format, and then converted to 8-level PAM. Each level can represent one of eight 3-bit combinations from 000 to 111. See Fig. 10-5. The symbols occur at a 10,800 rate, producing a net bit rate of $10,800 \times 3 = 32.4$ Mbps. The PAM signal is then used to amplitude-modulate the transmitter carrier. Part of the lower sideband is suppressed to save spectrum. The modulation is called 8VSB for 8-level vestigial sideband. The signal is transmitted in a standard 6-MHz-wide TV channel.

Figure 10-5 Eight-level VSB signal.



Because of the sequential nature of serial data page 346 transmission, naturally it takes longer to send data in this way than it does to transmit it by parallel means. However, with a high-speed logic circuit, even serial data transfers can take place at very high speeds. Currently that data rate is as high as 10 billion bits per second (10 Gbps) on copper wire cable and up to 400 billion bits per second (100 Gbps) on fiber-optic cable. So although serial data

transfers are slower than parallel transfers, they are fast enough for most communication applications and require only a single cable pair or fiber.

GOOD TO KNOW

With a high-speed logic circuit, even serial data transfers can take place at very high speeds. Data on copper wire cable can travel at speeds up to 1 billion bits per second, and fiber-optic cable can transport data speeds up to 400 Gbps.

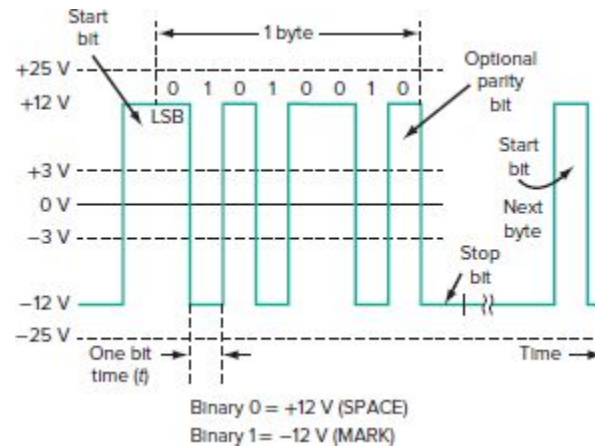
Asynchronous Transmission

In *asynchronous transmission* each data word is accompanied by *start and stop bits* that indicate the beginning and ending of the word. Asynchronous transmission of an ASCII character is illustrated in Fig. 10-6. When no information is being transmitted, the communication line is usually negative, or binary 1. In data communication terminology, this is referred to as a *mark*. To signal the beginning of a word, a start bit, a binary 0 or space, as shown in the figure, is transmitted. The start bit has the same duration as all other bits in the data word. The transmission from mark to space indicates the beginning of the word and allows the receiving circuits to prepare themselves for the reception of the remainder of the bits.

Asynchronous transmission

Start and stop bits

Figure 10-6 Asynchronous transmission of 1 byte. Logic-level ranges shown. Typical levels may be ± 5 V.



After the start bit, the individual bits of the word are transmitted. The word size may be 5 to 8 bits. Note that the LSB is transmitted first. Once the last code bit has been transmitted, a stop bit is included. The stop bit may be the same duration as all other bits and again is a binary 1 or mark. In some systems, 2 stop bits are transmitted, one after the other, to signal the end of the word. In some systems the last or eighth bit is used for parity that provides error detection.

Most low-speed digital transmission (the 1200- to 56,000-bps range) is asynchronous. This technique is extremely reliable, and the start and stop bits ensure that the sending and receiving circuits remain in step with each other. The minimum separation between character words is 1 stop plus 1 start bit. There can also be time gaps between characters or groups of characters, as the illustration shows, and thus the stop “bit” may be of some indefinite length.

Keep in mind that the data rate or frequency of the bit stream (R) is related to the bit time t .

$$R = 1/t$$

A bit time of 208 microseconds translates to a data rate of:

$$R = 1/000208 = 4808 \text{ bps}$$

The primary disadvantage of asynchronous page 347 communication is that the extra start and stop bits effectively slow down data transmission. This is not a problem in low-speed applications such as those involving certain printers and plotters. But when huge volumes of information must be transmitted, the start and stop bits represent a significant percentage of the bits transmitted. We call that percentage the *overhead* of transmission. A 7-bit ASCII character plus start and stop bits is 9 bits. Of the 9 bits, 2 bits are not data. This represents $2/9 = 0.222$, or 22.2 percent inefficiency or overhead. Removing the start and stop bits and stringing the ASCII characters end to end allow many more data words to be transmitted per second.

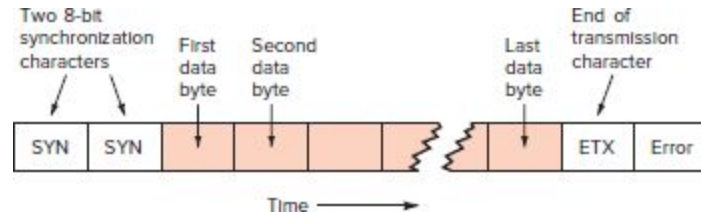
Synchronous Transmission

The technique of transmitting each data word one after another without start and stop bits, usually in multiword blocks, is referred to as *synchronous data transmission*. To maintain synchronization between transmitter and receiver, a group of synchronization bits is placed at the beginning of the block and the end of the block. That sequence of bits, called a block here, is also referred to as a frame or packet. Fig. 10-7 shows one arrangement. Each block of data can represent hundreds or even thousands of 1-byte characters. At the beginning of each block is a unique series of bits that identifies the beginning of the block. In Fig. 10-7, two 8-bit synchronous (SYN) codes signal the start of a transmission. Once the receiving equipment finds these characters, it begins to receive the continuous data, the block of sequential 8-bit words or bytes. At the end of the block, another special ASCII code character, ETX, signals the end of transmission. The receiving equipment looks for the ETX code; detection of this code is how the receiving circuit

recognizes the end of the transmission. An error detection code usually appears at the very end of the transmission.

Synchronous data transmission

Figure 10-7 Synchronous data transmission.



The special synchronization codes at the beginning and end of a block represent a very small percentage of the total number of bits being transmitted, especially in relation to the number of start and stop bits used in asynchronous transmission. Synchronous transmission is therefore much faster than asynchronous transmission because of the lower overhead.

An important consideration in synchronous transmission is how the receiving station keeps track of the individual bits and bytes, especially when the signal is noisy, since there is no clear separation between them. This is done by transmitting the data at a fixed, known, precise clock rate. Then the number of bits can be counted to keep track of the number of bytes or characters transmitted. For every 8 bits counted, 1 byte is received. The number of received bytes is also counted.

Synchronous transmission assumes that the receiver knows or has a clock frequency identical to that of the transmitter clock. Usually, the clock at the receiver is derived from the received signal, so that it is precisely the same frequency as, and in synchronization with, the transmitter clock.

Encoding Methods

Whether digital signals are being transmitted by baseband methods or broadband methods (see Sec. 1-4), before the data is put on the medium, it is usually encoded in some way to make it compatible with the medium or to facilitate some desired operation connected with the transmission. The primary encoding methods used in data communication are summarized below.

Example 10-1

A block of 256 sequential 12-bit data words is transmitted serially in 0.016 s. Calculate (a) the time duration of 1 word, (b) the time duration of 1 bit, and (c) the speed of transmission in bits per second.

a. $t_{\text{word}} = \frac{0.016}{256} = 0.000625 = 625 \mu\text{s}$

b. $t_{\text{bit}} = \frac{625 \mu\text{s}}{12 \text{ bits}} = 52.0833 \mu\text{s}$

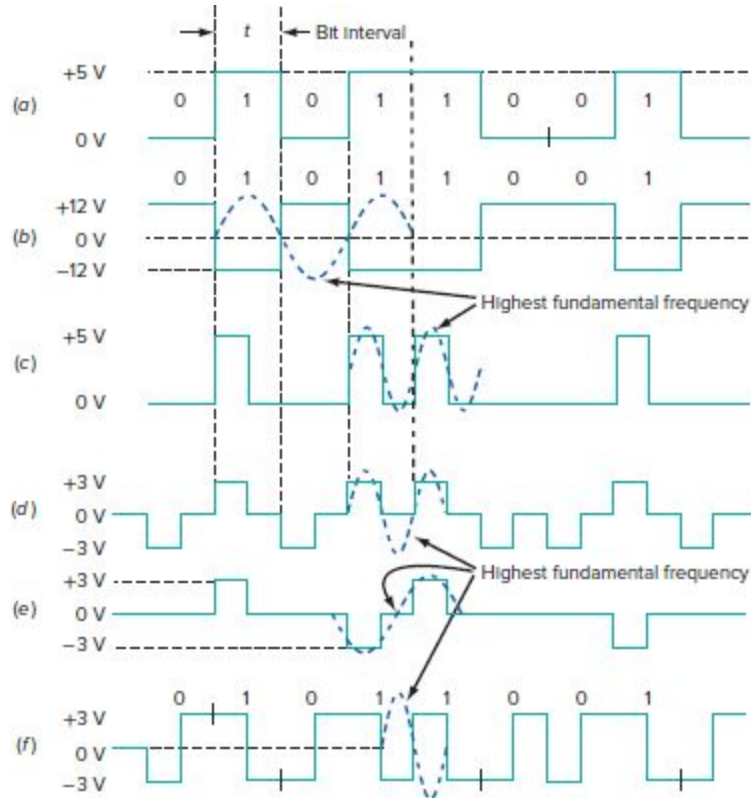
c. $\text{bps} = \frac{1}{t} = \frac{1}{52.0833} \times 10^{-6} = 19,200 \text{ bps} \text{ or } 19.2 \text{ kbps}$

Nonreturn to Zero. In the *nonreturn to zero (NRZ) method of encoding*, the signal remains at the binary level assigned to it for the entire bit time. Fig. 10-8(a), which shows unipolar NRZ, is a slightly different version of Fig. 10-4. The logic levels are 0 and +5V. When a binary 1 is to be transmitted, the signal stays at +5V for the entire bit interval. When a binary 0 is to be sent, the signal stays at 0 V for the total bit time. In other words, the voltage does not return to zero *during* the binary 1 interval.

Nonreturn to zero (NRZ) encoding

Figure 10-8 Serial binary encoding methods. (a) Unipolar NRZ. (b) Bipolar NRZ. (c) Unipolar RZ. (d) Bipolar RZ. (e) Bipolar RZ-AMI. (f)

Manchester or biphase.



In *unipolar* NRZ, the signal has only a positive page 349 polarity. A *bipolar* NRZ signal has two polarities, positive and negative, as shown in Fig. 10-8(b). The voltage levels are +12 and -12 v. The popular RS-232 serial computer interface uses bipolar NRZ, where a binary 1 is a negative voltage between -3 and -25 v and a binary 0 is a voltage between +3 and +25 v.

The NRZ method is normally generated inside computers, at low speeds, when asynchronous transmission is being used. It is not popular for synchronous transmission because there is no voltage or level change when there are long strings of sequential binary 1s or 0s. If there is no signal change, it is difficult for the receiver to determine just where one bit ends and the next one begins. If the clock is to be recovered from the transmitted data in a synchronous system, there must be more frequent changes, preferably

one per bit. NRZ is usually converted to another format, such as RZ or Manchester, for synchronous transmissions.

Return to Zero. In *return to zero (RZ) encoding* [see Fig. 10-8(c) and (d)], the voltage level assigned to a binary 1 level returns to zero during the bit period. *Unipolar RZ* is illustrated in Fig. 10-8(c). The binary 1 level occurs for 50 percent of the bit interval, and the remaining bit interval is zero. Only one polarity level is used. Pulses occur only when a binary 1 is transmitted; no pulse is transmitted for a binary 0.

Return to zero (RZ) encoding

Unipolar RZ

Bipolar RZ is illustrated in Fig. 10-8(d). A 50 percent bit interval $+3-V$ pulse is transmitted during a binary 1, and a $-3-V$ pulse is transmitted for a binary 0. Because there is one clearly discernible pulse per bit, it is extremely easy to derive the clock from the transmitted data. For that reason, bipolar RZ is preferred over unipolar RZ.

Bipolar RZ

A popular variation of the bipolar RZ format is called *alternative mark inversion (AMI)* [see Fig. 10-8(e)]. During the bit interval, binary 0s are transmitted as no pulse. Binary 1s, also called *marks*, are transmitted as alternating positive and negative pulses. One binary 1 is sent as a positive pulse, the next binary 1 as a negative pulse, the next as a positive pulse, and so on.

Alternative mark inversion (AMI)

Manchester. *Manchester encoding*, also referred to as *biphase encoding*, can be unipolar or bipolar. It is widely used in LANs. In the Manchester system, a binary 1 is transmitted first as a positive pulse, for one half of the bit interval, and then as a negative pulse, for the remaining

part of the bit interval. A binary 0 is transmitted as a negative pulse for the first half of the bit interval and a positive pulse for the second half of the bit interval [see Fig. 10-8(f)]. The fact that there is a transition at the center of each 0 or 1 bit makes clock recovery very easy. However, because of the transition in the center of each bit, the frequency of a Manchester-encoded signal is two times an NRZ signal, doubling the bandwidth requirement.

Manchester encoding

Choosing a Coding Method. The choice of an encoding method depends on the application. For synchronous transmission, RZ and Manchester are preferred because the clock is easier to recover. Another consideration is average dc voltage buildup on the transmission line. When unipolar modes are used, a potentially undesirable average dc voltage builds up on the line because of the charging of the line capacitance. To eliminate this problem, bipolar methods are used, where the positive pulses cancel the negative pulses and the dc voltage is averaged to zero. Bipolar RZ or Manchester is preferred if dc buildup is a problem.

DC buildup is not always a problem. In some applications, the average dc value is used for signaling purposes. An example is an Ethernet LAN, which uses the direct current to detect when two or more stations are trying to transmit at the same time.

Other encoding methods are also used. The encoding schemes used to encode the serial data recorded on hard disks, CDs, and solid-state drives, for example. Other schemes used in networking will be discussed later.

10-3 Transmission Efficiency

Transmission efficiency—i.e., the accuracy and speed with which information, whether it is voice or video, analog or digital, is sent and received over communication media—is the basic subject matter of a field known as *information theory*. Information theorists seek to determine mathematically the likelihood that a given amount of data being transmitted under a given set of circumstances (e.g., medium, bandwidth, speed of transmission, noise, and distortion) will be transmitted accurately.

Hartley's Law

The amount of information that can be sent in a given transmission is dependent on the bandwidth of the communication channel and the duration of transmission. A bandwidth of only about 3 kHz is required to transmit voice so that it is intelligible and recognizable. However, because of the high frequencies and harmonics produced by musical instruments, a bandwidth of 15 to 20 kHz is required to transmit music with full fidelity. Music inherently contains more information than voice, and so requires greater bandwidth. A picture signal contains more information than a voice or music signal. Therefore, greater bandwidth is required to transmit it. A typical video signal contains both voice and picture; therefore, it is allocated 6 MHz of spectrum space.

Stated mathematically, Hartley's law is

$$C = 2B$$

Here C is the channel capacity expressed in bits per second and B is the channel bandwidth in Hz. It is also assumed that there is a total absence of noise in the channel. When noise becomes an issue, Hartley's law is expressed as

$$C = B \log_2 \left(1 + \frac{S}{N} \right)$$

where S/N is the signal-to-noise ratio in power. These concepts are expanded upon in the coming sections.

The greater the bandwidth of a channel, the greater the amount of information that can be transmitted in a given time. It is possible to transmit the same amount of information over a narrower channel, but it must be done over a longer time. This general concept is known as *Hartley's law*, and the principles of Hartley's law also apply to the transmission of binary data. The greater the number of bits transmitted in a given time, the greater the amount of information that is conveyed. But the higher the bit rate, the wider the bandwidth needed to pass the signal with minimum distortion. Narrowing the bandwidth of a channel causes the harmonics in the binary pulses to be filtered out, degrading the quality of the transmitted signal and making error-free transmission more difficult.

Hartley's law

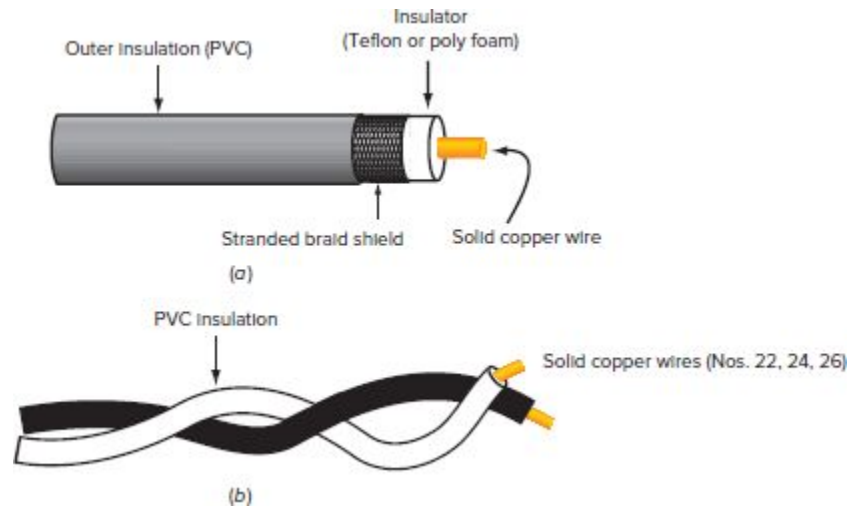
Transmission Media and Bandwidth

The two most common types of media used in data communication are wire cable and radio. Two types of wire cable are used, coaxial and twisted-pair (see Fig. 10-9). The coaxial cable shown in Fig. 10-9(a) has a center conductor surrounded by an insulator over which is a braided shield. The entire cable is covered with a plastic insulation.

GOOD TO KNOW

The insulator in coaxial cable can sometimes break if the cable is bent sharply. This can cause loss of signal from contact between the grounded shield and the copper conductor.

Figure 10-9 Types of cable used for digital data transmission. (a) Coaxial cable. (b) Twisted-pair cable, unshielded (UTP).



A twisted-pair cable is two insulated wires twisted together. The one shown in Fig. 10-9(b) is an *unshielded twisted-pair (UTP)* cable, but a shielded version is also available. Coaxial cable and shielded twisted-pair cables are usually preferred, as they provide some protection from noise and cross talk. Cross talk is the undesired transfer of signals from one unshielded cable to another adjacent one caused by inductive or capacitive coupling.

The bandwidth of any cable is determined by its physical characteristics. All wire cables act as low-pass filters because they are made up of the wire that has inductance, capacitance, and resistance. The upper cutoff frequency of a cable depends upon the cable type, its inductance and capacitance per foot, its length, the sizes of the conductor, and the type of insulation.

Coaxial cables have a wide usable bandwidth, page 351 ranging from 200 to 300 MHz for smaller cables to 500 MHz to 50 GHz for larger cables. The bandwidth decreases drastically with length. Twisted-pair cable has a narrower bandwidth, from a few kilohertz to over 800 MHz. Again, the actual bandwidth depends on the length and

other physical characteristics. Special processing techniques have extended that speed to 100 GHz over short distances (<100 m).

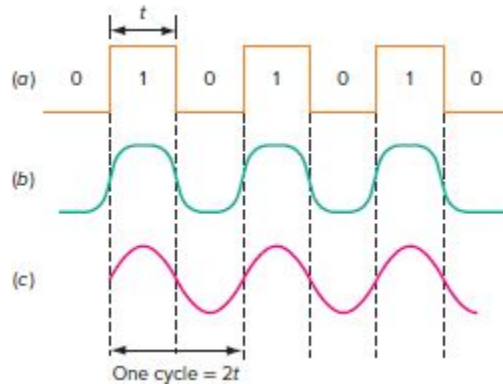
The bandwidth of a radio channel is determined by how much spectrum space is allotted to the application by the FCC. At the lower frequencies, limited bandwidth is available, usually several kilohertz. At higher frequencies, wider bandwidths are available, from hundreds of kilohertz to many megahertz.

GOOD TO KNOW

The rectangular shape of binary data should be preserved as much as possible. Although the data can usually be recovered if it is degraded to a sine wave, recovery is far more reliable if the original waveshape is maintained.

As discussed in Chap. 2, binary pulses are rectangular waves made up of a fundamental sine wave plus many harmonics. The channel bandwidth must be wide enough to pass all the harmonics and preserve the waveshape. Most communication channels or media act as low-pass filters. Voice-grade telephone lines, e.g., act as a low-pass filter with an upper cutoff frequency of about 3000 Hz. Harmonics higher in frequency than the cutoff are filtered out, resulting in signal distortion. Eliminating the harmonics rounds the signal off (see Fig. 10-10).

Figure 10-10 Bandwidth limitations filter out the higher harmonics in a binary signal, distorting it. (a) Original binary signal. (b) Distortion or rounding due to filtering (bandwidth limiting). (c) Severe distortion.



If the filtering is particularly severe, the binary page 352 signal is essentially converted to its fundamental sine wave. If the cutoff frequency of the cable or channel is equal to or less than the fundamental sine wave frequency of the binary signal, the signal at the receiving end of the cable or radio channel will be a greatly attenuated sine wave at the signal fundamental frequency. However, the data is not lost, assuming that the S/N ratio is high enough. The information is still transmitted reliably, but in the minimum possible bandwidth. The sine wave signal shape can easily be restored to a rectangular wave at the receiver by amplifying it to offset the attenuation of the transmission medium and then squaring it with a Schmitt-trigger comparator or other wave-shaping circuit.

The upper cutoff frequency of any communication medium is approximately equal to the channel bandwidth. It is this bandwidth that determines the information capacity of the channel according to Hartley's law. The channel capacity C , expressed in bits per second, is twice the channel bandwidth B , in hertz:

$$C = 2B$$

The bandwidth B is usually the same as the upper cutoff (3-dB down) frequency of the channel. This is the maximum theoretical limit, and it assumes that no noise is present.

For example, the maximum theoretical bit capacity for a 10-kHz bandwidth channel is $C = 2B = 2(10,000) = 20,000$ bps.

You can see why this is so by considering the bit time in comparison to the period of the fundamental sine wave. A 20,000-bps (20-kbps) binary signal has a bit period of $t = 1/20,000 = 50 \times 10^{-6} = 50 \mu\text{s}$.

It takes 2 bit intervals to represent a full sine wave with alternating binary 0s and 1s, one for the positive alternation and one for the negative alternation (see Fig. 10-10). The 2 bit intervals make a period of $50 + 50 = 100 \mu\text{s}$. This sine wave period translates to a sine wave frequency of $f = 1/t = 1/100 \mu\text{s} = 1/100 \times 10^{-6} = 10,000$ Hz (10 kHz), which is exactly the cutoff frequency or bandwidth of the channel.

Ideally, the shape of the binary data should be preserved as much as possible. Although the data can usually be recovered if it is degraded to a sine wave, recovery is far more reliable if the rectangular waveshape is maintained. This means that the channel must be able to pass at least some of the lower harmonics contained in the signal. As a general rule of thumb, if the bandwidth is roughly 5 to 10 times the data rate, the binary signal is passed with little distortion. For example, to transmit a 230.4-kbps serial data signal, the bandwidth should be at least 5×230.4 kHz (1.152 MHz) to 10×230.4 kHz (2.304 MHz).

The encoding method used also affects the required bandwidth for a given signal. For NRZ encoding, the bandwidth required is as described above. However, the bandwidth requirement for RZ is twice that for NRZ. This is so because the fundamental frequency contained in a rectangular waveform is the reciprocal of the duration of one cycle of the highest-frequency pulse, regardless of the duty cycle. The dashed lines in Fig. 10-8 show the highest fundamental frequencies for NRZ, RZ, RZ-AMI, and Manchester. AMI has a lower fundamental frequency than does RZ. The rate for Manchester encoding is twice that for NRZ and AMI.

As an example, assume an NRZ bit interval of 100 ns, which results in a bits per second-data rate of $1/t = 1/100 \text{ ns} = 1/100 \times 10^{-9} = 10 \text{ Mbps}$.

Alternating binary 1s and 0s produces a fundamental sine wave period of twice the bit time, or 200 ns, for a bandwidth of $1/t = 1/200 \times 10^{-9} = 5 \text{ MHz}$. This is the same as that computed with the formula

$$B = \frac{C}{2} = \frac{10 \text{ Mbps}}{2} = 5 \text{ MHz}$$

Looking at Fig. 10-8, you can see that the RZ and Manchester pulses occur at a faster rate, the cycle time being 100 ns. The RZ and Manchester pulses are one-half the bit time of 100 ns, or 50 ns. The bit rate or channel capacity associated with this time is $1/50 \text{ ns} = 1/50 \times 10^{-9} = 20 \text{ Mbps}$. The bandwidth for this bit rate is $C/2 = 20 \text{ Mbps}/2 = 10 \text{ MHz}$.

Thus the RZ and Manchester encoding schemes page 353 require twice the bandwidth. This tradeoff of bandwidth for some benefit, such as ease of clock recovery, may be desirable in certain applications.

Multiple Coding Levels

Channel capacity can be modified by using multiple-level encoding schemes that permit more bits per symbol to be transmitted. Remember that it is possible to transmit data using symbols that represent more than just 1 bit. Multiple voltage levels can be used, as illustrated earlier in Fig. 10-4(b). Other schemes, such as using different phase shifts for each symbol, are used. Consider the equation

$$C = 2B \log_2 N$$

where N is the number of different encoding levels per time interval. The implication is that for a given bandwidth, the

channel capacity, in bits per second, will be greater if more than two encoding levels are used per time interval.

Refer to Fig. 10-4, where two levels or symbols (0 or 1) were used in transmitting the binary signal. The bit or symbol time is $1 \mu\text{s}$. The bandwidth needed to transmit this 1,000,000-bps signal can be computed from $C = 2B$, or $B = C/2$. Thus a minimum bandwidth of $1,000,000 \text{ bps}/2 = 500,000 \text{ Hz}$ (500 kHz) is needed.

The same result is obtained with the new expression. If $C = 2B \log_2 N$, then $B = C/(2 \log_2 N)$.

The logarithm of a number to the base 2 can be computed with the expression

$$\begin{aligned}\log_2 N &= \frac{\log_{10} N}{\log_{10} 2} \\ &= \frac{\log_{10} N}{0.301} \\ \log_2 N &= 3.32 \log_{10} N\end{aligned}$$

where N is the number whose logarithm is to be calculated. The base-10 or common logarithm can be computed on any scientific calculator. With two coding levels (binary 0 and 1 voltage levels), the bandwidth is

$$B = \frac{C}{2 \log_2 N} = \frac{1,000,000 \text{ bps}}{2(1)} = 500,000 \text{ Hz}$$

Note that $\log_2 2$ for a binary signal is simply 1.

Now we continue, using $C = 2B \log_2 N$. Since $\log_2 N = \log_2 2 = 1$,

$$C = 2B(1) = 2B$$

Now let's see what a multilevel coding scheme does. Again, we start with $B = C/(2 \log_2 N)$. The channel capacity is 2,000,000 bps, as shown in Fig. 10-4(b), because each symbol (level) interval is $1 \mu\text{s}$ long. But here the number of levels $N = 4$. Therefore, 2 bits are transmitted per symbol.

The bandwidth is then $(2,000,000 \text{ bps})/2\log_2 4$. Since $\log_2 4 = 3.32 \log_{10} 4 = 3.32/(0.602) = 2$,

$$B = \frac{2,000,000}{2(2)} = \frac{2,000,000}{4} = 500,000 \text{ Hz} = 500 \text{ kHz}$$

By using a multilevel (four-level) coding scheme, we can transmit at twice the speed in the same bandwidth. The data rate is 2 Mbps with four levels of coding in a 500-kHz bandwidth compared to 1 Mbps with only two symbols (binary).

To transmit even higher rates within a given page 354 bandwidth, more voltage levels can be used, where each level represents 3, 4, or even more bits per symbol. The multilevel approach need not be limited to voltage changes; frequency changes and phase changes can also be used. Even greater increases in speed can be achieved if changes in voltage levels are combined with changes in phase or frequency.

Impact of Noise in the Channel

Another important aspect of information theory is the impact of noise on a signal. As discussed in earlier chapters, increasing bandwidth increases the rate of transmission but also allows more noise to pass, and so the choice of a bandwidth is a trade-off.

The relationship between channel capacity, bandwidth, and noise is summarized in what is known as the *Shannon-Hartley theorem*:

Shannon-Hartley theorem

$$C = B \log_2 \left(1 + \frac{S}{N} \right)$$

where C = channel capacity, bps

B = bandwidth, Hz

S/N = signal-to-noise ratio

Assume, e.g., that the maximum channel capacity of a voice-grade telephone line with a bandwidth of 3100 Hz and an S/N of 30 dB is to be calculated.

First, 30 dB is converted to a power ratio. If $\text{dB} = 10 \log P$, where P is the power ratio, then $P = \text{Antilogs}$ are easily computed on a scientific calculator. A 30-dB S/N ratio translates to a power ratio of

$$P = \log^{-1} \frac{30}{10} = \log^{-1} 3 = 1000$$

The channel capacity is then

$$C = B \log_2 \left(1 + \frac{S}{N} \right) = 3100 \log_2 (1 + 1000) = 3100 \log_2 1001$$

The base-2 logarithm of 1001 is

$$\log_2 1001 = 3.32 \log_{10} 1001 = 3.32(3) = 9.97 \text{ or about } 10$$

Therefore, the channel capacity is

$$C = 3100(10) = 31,000 \text{ bps}$$

A bit rate of 31,000 bps is surprisingly high for such a narrow bandwidth. In fact, it appears to conflict with what we learned earlier, i.e., that maximum channel capacity is twice the channel bandwidth. If the bandwidth of the voice-grade line is 3100 Hz, then the channel capacity is $C = 2B = 2(3100) = 6200$ bps. That rate is for a binary (two-level) system only, and it assumes no noise. How, then, can the Shannon-Hartley theorem predict a channel capacity of 31,000 bps when noise is present?

The Shannon-Hartley expression says that it is *theoretically* possible to achieve a 31,000-bps channel

capacity on a 3100-Hz bandwidth line. What it doesn't say is that multilevel encoding is needed to do so. Going back to the basic channel capacity expression $C = 2B \log_2 N$, we have a C of 31,000 bps and a B of 3100 Hz. The number of coding or symbol levels has not been specified. Rearranging the formula, we have

$$\log_2 N = \frac{C}{2B} = \frac{31,000}{2(3100)} = \frac{31,000}{6200} = 5$$

Therefore,

$$N = \text{antilog}_2 5$$

The antilog of a number is simply the value of the base raised to the number, in this case, 2^5 or 32.

Thus a channel capacity of 31,000 can be page 355 achieved by using a multilevel encoding scheme, one that uses 32 different levels or symbols per interval, instead of a two-level (binary) system. The baud rate of the channel is still $C = 2B = 2(3100) = 6200$ Bd. But because a 32-level encoding scheme has been used, the bit rate is 31,000 bps. As it turns out, the maximum channel capacity is very difficult to achieve in practice. Typical systems limit the channel capacity to one-third to one-half the maximum to ensure more reliable transmission in the presence of noise.

Example 10-2

The bandwidth of a communication channel is 12.5 kHz. The S/N ratio is 25 dB. Calculate (a) the maximum theoretical data rate in bits per second, (b) the maximum theoretical channel capacity, and (c) the number of coding levels N needed to achieve the

maximum speed. [For part (c), use the y^x key on a scientific calculator.]

a. $C = 2B = 2(12.5 \text{ kHz}) = 25 \text{ kbps}$

b. $C = B \log_2 (1 + S/N) = B(3.32) \log_{10} (1 + S/N)$

$25 \text{ dB} = 10 \log P$ where $P = S/N$ power ratio

$$\log P = \frac{25}{10} = 2.5$$

$$P = \text{antilog } 2.5 = \log^{-1} 2.5 = 316.2 \quad \text{or} \quad P = 10^{2.5} = 316.2$$

$$C = 12,500(3.32) \log_{10} (316.2 + 1)$$

$$= 41,500 \log_{10} 317.2$$

$$= 41,500(2.5)$$

$$C = 103,805.3 \text{ bps or } 103.8 \text{ kbps}$$

c. $C = 2B \log_2 N$

$$\log_2 N = C/(2B)$$

$$N = \text{antilog}_2 C/2(B)$$

$$N = \text{antilog}_2 (103,805.3)/2(12,500) = \text{antilog}_2 4.152$$

$$N = 2^{4.152} = 17.78 \text{ or } 17 \text{ levels or symbols}$$

10-4 Modem Concepts and Methods

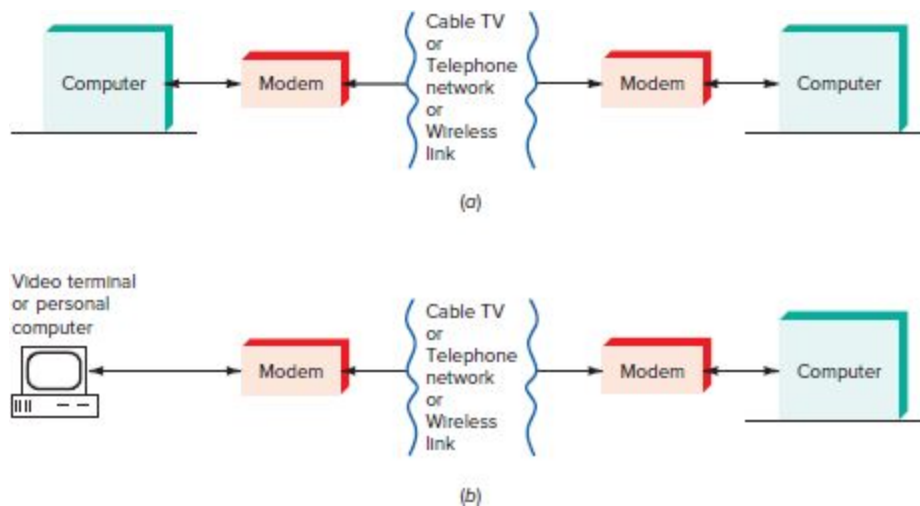
Binary signals are switched dc pulses, so how do such signals get transmitted over telephone lines, cable TV, coaxial cables, twisted-pair cables, or wireless links? Binary pulses can be transported over short cables even at very high data rates. The transformers, capacitors, and other ac circuitry in the data path virtually ensure that no dc signals get through in a recognizable form. Furthermore, high-speed data is filtered out by the limited-bandwidth media.

The question is, then: How does digital data get transmitted over cables and wireless links? The answer is by using broadband communication techniques involving modulation, which are implemented by a *modem*, a device containing both a *modulator* and a *demodulator*. Modems

convert binary signals to analog signals capable of being transmitted over telephone and cable TV lines and by radio and then demodulate such analog signals, reconstructing the equivalent binary output. Fig. 10-11 shows two ways that modems are commonly used in digital data transmission. In Fig. 10-11(a), two computers exchange data by speaking through modems. While one modem is transmitting, the other is receiving. Full duplex operation is also possible. In Fig. 10-11(b), a remote video terminal or personal computer is using a modem to communicate with a large server computer. Modems are also the interface between the millions of personal computers and servers that make up the Internet.

Modem

Figure 10-11 How modems permit digital data transmission on the telephone network. page 356



There are four basic modem types: low-speed analog modems, digital subscriber line (DSL) modems, cable TV modems, and wireless modems. The first three are discussed in the following sections. Analog modems of the dial-up type are no longer widely used, but there are many

low data rate applications that use these techniques in both wired and wireless equipment.

GOOD TO KNOW

If a binary signal were applied directly to a telephone network, it simply would not pass.

Modulation for Data Communication

Four main types of modulation are used in modern modems: frequency-shift keying (FSK), phase-shift keying (PSK), quadrature amplitude modulation (QAM), and orthogonal frequency-division multiplexing (OFDM). FSK is used primarily in lower-speed (<500 kbps) modems in a noisy environment. PSK operates in narrower bandwidths over a wide range of speeds. QAM is a combination of both amplitude modulation and PSK. It can produce very high data rates in narrow bandwidths. OFDM operates over a very wide bandwidth and can achieve very high rates in a noisy environment.

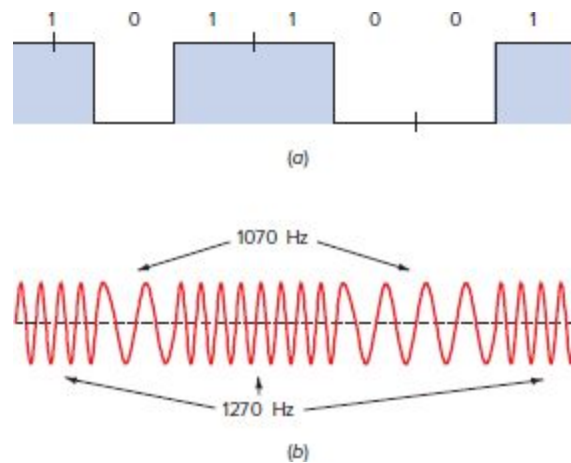
FSK. The oldest and simplest form of modulation used in modems is *frequency-shift keying (FSK)*. In FSK, two sine wave frequencies are used to represent binary 0s and 1s. For example, a binary 0, usually called a *space* in data communication jargon, has a frequency of 1070 Hz. A binary 1, referred to as a *mark*, is 1270 Hz. These two frequencies are alternately transmitted to create the serial binary data. The resulting signal looks something like that shown in Fig. 10-12. Both of the frequencies are well within the 300- to 3000-Hz bandwidth normally associated with the telephone system, as illustrated in Fig. 10-13.

Frequency-shift keying (FSK)

Space

Mark

Figure 10-12 Frequency-shift keying. (a) Binary signal. (b) FSK signal.



The simultaneous transmit and receive operations that are carried out by a modem, known as *full duplex operation*, require that another set of frequencies be defined. These are also indicated in Fig. 10-13. A binary 0 or space is 2025 Hz; a binary 1 or mark is 2225 Hz. These tones are also within the telephone bandwidth but are spaced far enough from the other frequencies so that selective filters can be used to distinguish between the two. The 1070- and 1270-Hz tones are used for transmitting (originate), and the 2025- and 2225-Hz tones are used for receiving (answer).

Figure 10-13 The FSK signals within the telephone audio bandpass.

page 357

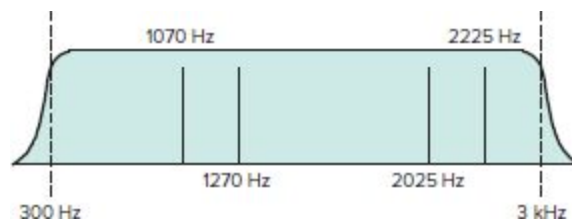
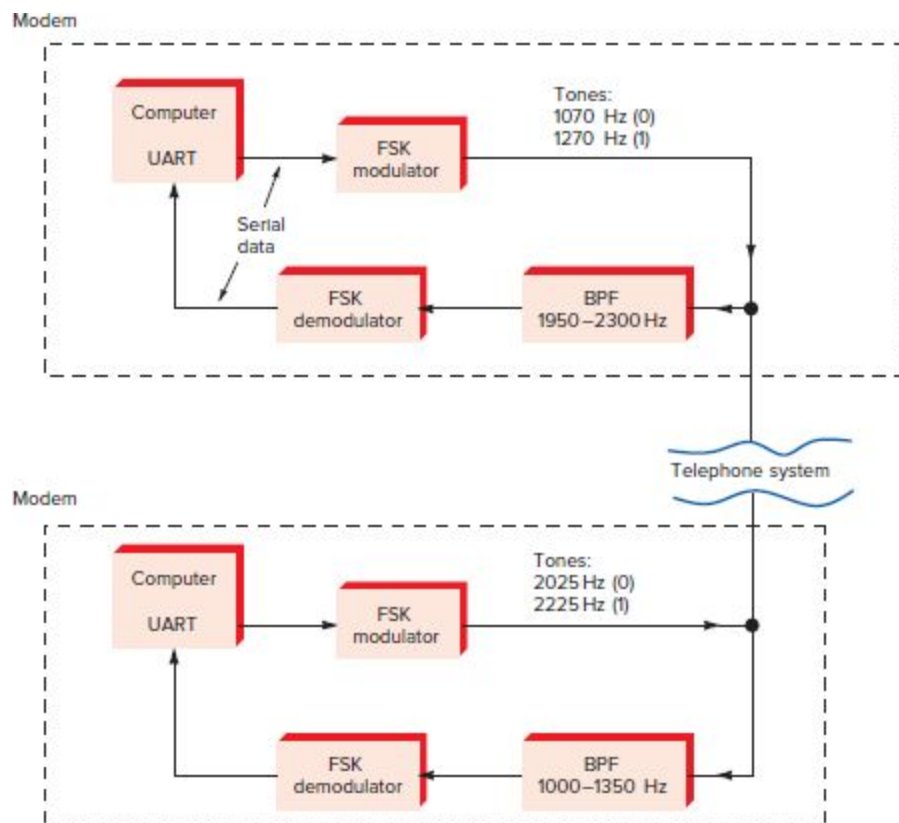


Fig. 10-14 is a block diagram of the modulator and demodulator sections of an FSK modem. Each modem

contains an FSK modulator and an FSK demodulator so that both send and receive operations can be achieved. Bandpass filters at the inputs to each modem separate the two tones. For example, in the upper modem, a bandpass filter allows frequencies between 1950 and 2300 Hz to pass. This means that 2025- and 2225-Hz tones will be passed, but the 1070- and 1270-Hz tones generated by the internal modulator will be rejected. The lower modem has a bandpass filter that accepts the lower-frequency tones while rejecting the upper-frequency tones generated internally.

Figure 10-14 Block diagram of the modulator-demodulator of an FSK modem.



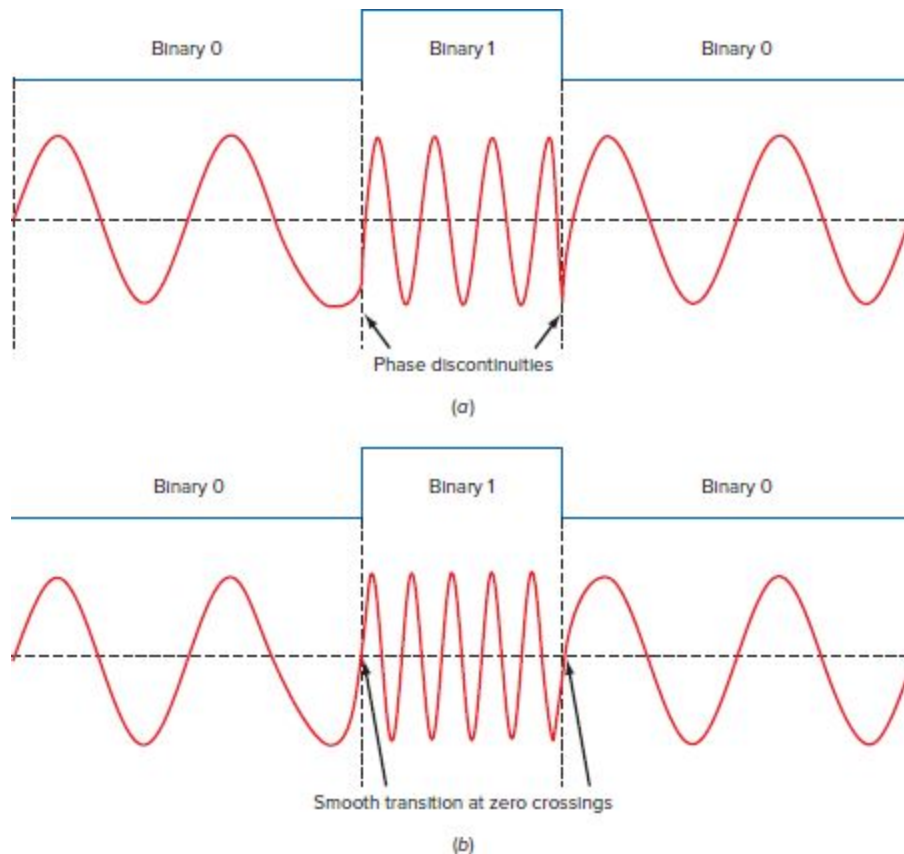
A wide variety of modulator and demodulator circuits are used to produce and recover FSK. Virtually all the circuits described in Chap. 6 have been or could be used. A typical FSK modulator is simply an oscillator whose frequency can be switched between two frequencies. A typical

demodulator is a PLL. Most modems now use digital techniques because they are simpler and more adaptable to IC implementations. A large portion of modem operations if not all operations are now implemented with DSP.

FSK signals typically occupy a wide bandwidth because of the multiple sidebands produced by the FM process. Higher orders of sidebands are also generated by the harmonics contained in the fast binary modulating signal. Any abrupt signal changes further aggravate the problem. Several techniques have been developed to improve the spectral efficiency of FSK. The term *spectral efficiency* refers to how well a specific modulation technique produces a maximum data rate in a minimal bandwidth.

When the mark and space frequencies are page 358 arbitrarily chosen, they will not be phase-coherent. That is, there will be abrupt signal changes during 0-to-1 or 1-to-0 transitions. This is illustrated in Fig. 10-15(a). The “glitches” or phase discontinuities produce even more harmonics and wider bandwidth. In addition, such discontinuities make demodulation more difficult and produce more bit errors.

Figure 10-15 (a) FSK with frequencies that produce phase discontinuities. (b) Continuous-phase FSK with smooth transitions at the zero crossings.



To overcome this problem, the mark and space frequencies can be chosen so that the periods of the sine waves both cross zero at the mark-to-space and space-to-mark transitions. This is illustrated in Fig. 10-15(b). No phase discontinuities exist, so the resulting bandwidth is less. This type of modulation is called *continuous-phase frequency-shift keying (CPFSK)*.

Continuous-phase frequency-shift keying (CPFSK)

Another term for signals that start and stop at the zero crossing points is coherent. You could call this form of modulation coherent FSK. You can also have coherent ASK or OOK. Coherent versions use less bandwidth and perform better in the presence of noise.

An improved variation of CPFSK is *minimum shift keying (MSK)*. As in CPFSK, the mark and space frequencies are some integer multiple of the bit clock frequency. This

ensures that the signals are fully synchronized with one another and that no phase discontinuities occur.

Minimum shift keying (MSK)

MSK further improves spectral efficiency by using a low modulation index. Recall from Chap. 5 that the number of pairs of sidebands produced (and therefore the wider the bandwidth) is proportional to the modulation index. With analog FM, the modulation index is

$$m_f = \frac{f_d}{f_m}$$

where f_d is the frequency deviation and f_m is the page 359 modulating signal frequency. With FSK, the modulation index m is

$$m = \Delta f(T)$$

where Δf is the deviation or frequency shift between the mark frequency f_M and the space frequency f_S .

$$\Delta f = f_S - f_M$$

Also T is the bit time or the reciprocal of the data rate.

$$T = \frac{1}{\text{bps}}$$

MSK generally specifies that m must be 0.5. However, other values (0.3) are used.

For example, assume an MSK modem with $f_M = 1200$ and $f_S = 1800$ Hz. The bit rate is 1200 bps. The modulation index is

$$\Delta f = f_S - f_M = 1800 - 1200 = 600 \text{ Hz}$$

$$T = \frac{1}{\text{bps}} = \frac{1}{1200} = 0.0008333 \text{ s}$$

$$m = \Delta f(T) = 600(0.0008333) = 0.5$$

MSK is a very spectrally efficient form of FSK. But the MSK signal bandwidth can be further reduced by prefiltering the binary modulating signal. This filter removes some of the higher-level harmonics that are responsible for the added sidebands and wider bandwidth. One of the best prefilters is called a *Gaussian low-pass filter*. It rounds the edges and somewhat lengthens the rise and fall times. This in turn reduces harmonic content. And that decreases the overall signal bandwidth. *Gaussian filtered MSK* is referred to as *GMSK*. It is widely used in data communication and is the basis of the popular GSM digital cell phones. Multilevel FSK is also used. Ordinary FSK is 2FSK. Other versions are 4FSK, 8FSK, and 16FSK that permit more bits per symbol.

Gaussian filtered MSK (GMSK)

PSK. In *phase-shift keying (PSK)*, the binary signal page 360 to be transmitted changes the phase shift of a sine wave character depending upon whether a binary 0 or binary 1 is to be transmitted. (Recall that phase shift is a time difference between two sine waves of the same frequency.) Fig. 10-16 illustrates several examples of phase shift. A phase shift of 180° , the maximum phase difference that can occur, is known as a *phase reversal*, or *phase inversion*.

Phase-shift keying (PSK)

Figure 10-16 Examples of phase shift.

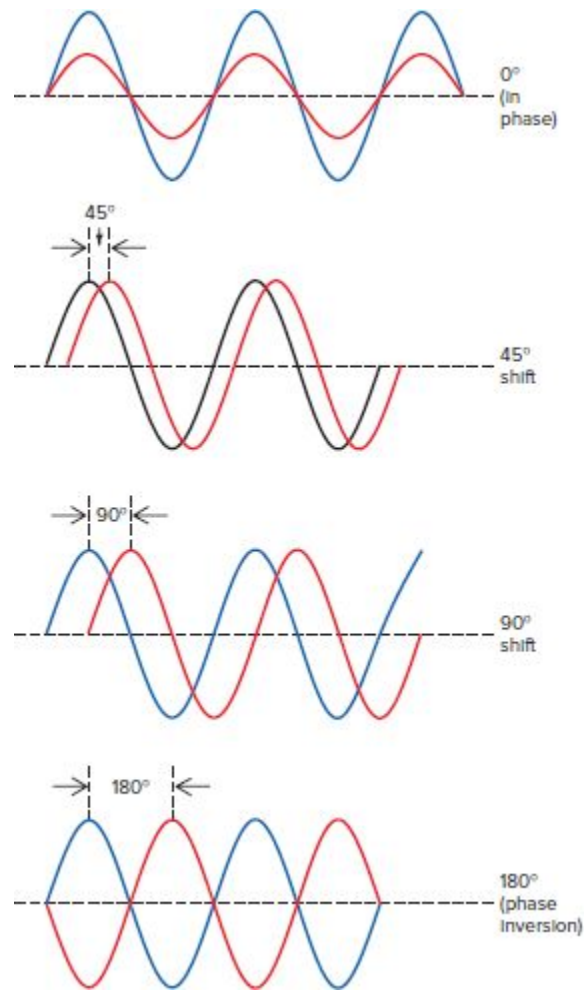


Fig. 10-17 illustrates the simplest form of PSK, *binary phase-shift keying (BPSK)*. During the time that a binary 0 occurs, the carrier signal is transmitted with one phase; when a binary 1 occurs, the carrier is transmitted with a 180° phase shift.

Binary phase-shift keying (BPSK)

Figure 10-17 Binary phase-shift keying.

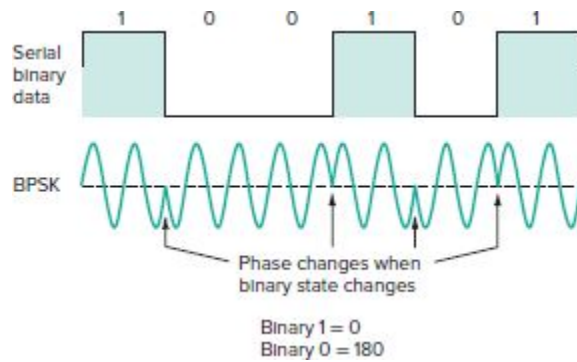
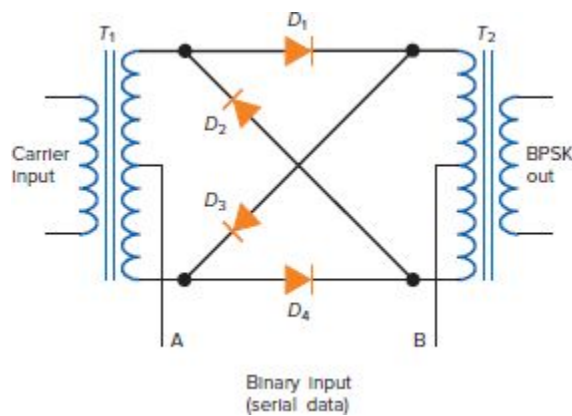


Fig. 10-18 shows one kind of circuit used for generating BPSK, a standard lattice ring modulator or balanced modulator used for generating DSB signals. The carrier sine wave is applied to the input transformer T_1 while the binary signal is applied to the transformer center taps. The binary signal provides a switching signal for the diodes. When a binary 0 appears at the input, A is + and B is -, so diodes D_1 and D_4 conduct. They act as closed switches, connecting the secondary of T_1 to the primary of T_2 . The windings are phased so that the BPSK output is in phase with the carrier input.

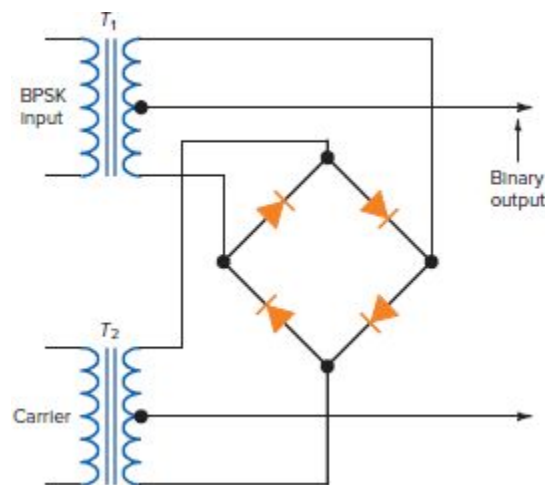
Figure 10-18 A BPSK modulator.



When a binary 1 appears at the input, A is - and B is +, so diodes D_1 and D_4 are cut off while diodes D_2 and D_3 conduct. This causes the secondary of T_1 to be connected to the primary of T_2 but with the interconnections reversed. This introduces a 180° phase-shift carrier at the output.

Demodulation of a BPSK signal is also done with a balanced modulator. A version of the diode ring or lattice modulator can be used, as shown in Fig. 10-19. This is actually the same circuit as that in Fig. 10-18, but the output is taken from the center taps. The BPSK and carrier signals are applied to the transformers. IC balanced modulators can also be used at the lower frequencies. The modulator and demodulator circuits are identical to the doubly balanced modulators used for mixers. They are available as fully wired and tested components for frequencies up to about 1 GHz.

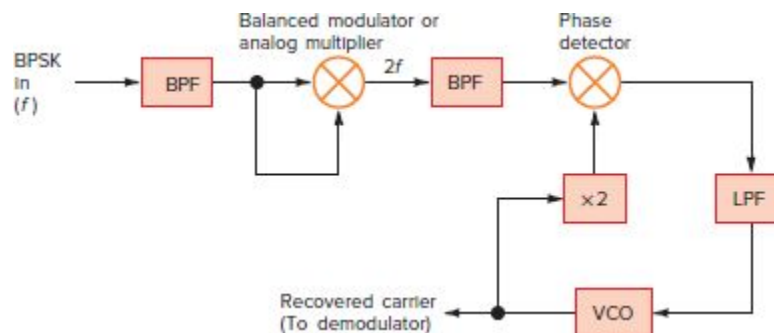
Figure 10-19 A BPSK demodulator.



The key to demodulating BPSK is that a carrier with the correct frequency and phase relationship must be applied to the balanced modulator along with the BPSK signal. Typically the carrier is derived from the BPSK signal itself, using a carrier recovery circuit like that shown in Fig. 10-20. A bandpass filter ensures that only the desired BPSK signal is passed. The signal is then squared or multiplied by itself by a balanced modulator or analog multiplier by applying the same signal to both inputs. Squaring removes all the 180° phase shifts, resulting in an output that is twice the input signal frequency ($2f$). A bandpass filter set at twice the

carrier frequency passes this signal only. The resulting signal is applied to the phase detector of a PLL. Note that a $\times 2$ frequency multiplier is used between the VCO and phase detector, ensuring that the VCO frequency is at the carrier frequency. Use of the PLL means that the VCO will track any carrier frequency shifts. The result is a signal with the correct frequency and phase relationship for proper demodulation. The carrier is applied to the balanced modulator-demodulator along with the BPSK signal. The output is the recovered binary data stream.

Figure 10-20 A BPSK carrier recovery circuit.



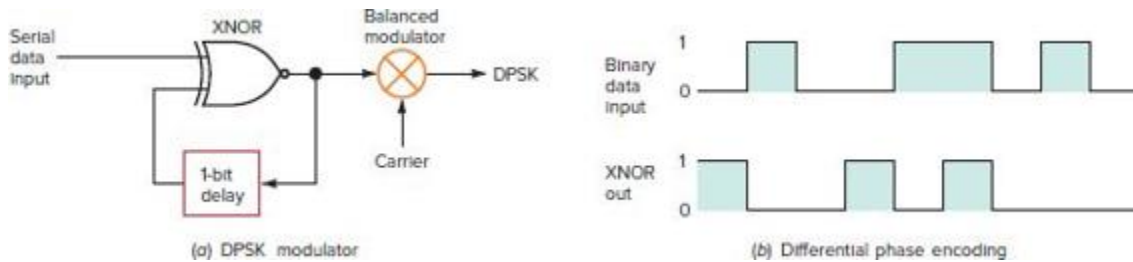
DPSK. To simplify the demodulation process, a version of binary PSK called *differential phase-shift keying (DPSK)* can be used. In DPSK, there is no absolute carrier phase reference. Instead, the transmitted signal itself becomes the phase reference. In demodulating DPSK, the phase of the received bit is compared with the phase of the previously received bit.

Differential phase-shift keying (DPSK)

For DPSK to work, the original binary bit stream must undergo a process known as *differential phase coding*, in which the serial bit stream passes through an inverted exclusive-NOR circuit (XNOR), as shown in Fig. 10-21(a). Note that the XNOR output is applied to a 1-bit delay circuit before being applied back to the input. The delay can simply

be a clocked flip-flop or a delay line. The resulting bit pattern permits the signal to be recovered because the current bit phase can be compared with the previously received bit phase.

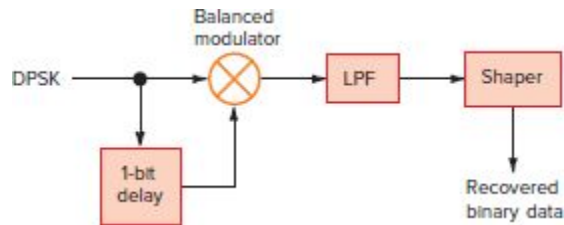
Figure 10-21 The DPSK process. (a) DPSK modulator. (b) Differential phase encoding.



In Fig. 10-21(b), the input binary word to be transmitted is shown along with the output of the XNOR. An XNOR circuit is a 1-bit comparator that produces a binary 1 output when both inputs are alike and a binary 0 output when the two bits are different. The output of the circuit is delayed a 1-bit interval by being stored in a flip-flop. Therefore, the XNOR inputs are the current bit plus the previous bit. The XNOR signal is then applied to the balanced modulator along with the carrier to produce a BPSK signal.

Demodulation is accomplished with the circuit [page 363](#) shown in Fig. 10-22. The DPSK signal is applied to one input of the balanced modulator and a 1-bit delay circuit, either a flip-flop or a delay line. The output of the delay circuit is used as the carrier. The resulting output is filtered by a low-pass filter to recover the binary data. Typically the low-pass filter output is shaped with a Schmitt trigger or comparator to produce clean, high-speed binary levels.

Figure 10-22 A DPSK demodulator.

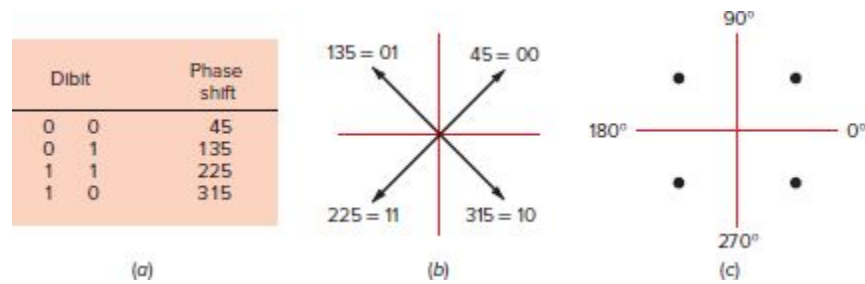


QPSK. The main problem with BPSK and DPSK is that the speed of data transmission in a given bandwidth is limited. One way to increase the binary data rate while not increasing the bandwidth required for the signal transmission is to encode more than 1 bit per phase change. There is a symbol change for each bit change with BPSK and DPSK, so the baud (symbol) rate is the same as the bit rate. In BPSK and DPSK, each binary bit produces a specific phase change. An alternative approach is to use combinations of two or more bits to specify a particular phase shift, so that a symbol change (phase shift) represents multiple bits. Because more bits per baud are encoded, the bit rate of data transfer can be higher than the baud rate, yet the signal will not take up additional bandwidth.

One commonly used system for doing this is known as *quadrature, quarternary, or quadra phase PSK (QPSK or 4-PSK)*. In QPSK, each pair of successive digital bits in the transmitted word is assigned a particular phase, as indicated in Fig. 10-23(a). Each pair of serial bits, called a *dibit*, is represented by a specific phase. A 90° phase shift exists between each pair of bits. Other phase angles can also be used as long as they have a 90° separation. For example, it is common to use phase shifts of 45° , 135° , 225° , and 315° , as shown in Fig. 10-23(b).

Quadrature (quarternary or quadra) phase PSK (QPSK or 4-PSK)

Figure 10-23 Quadrature PSK modulation. (a) Phase angle of carrier for different pairs of bits. (b) Phasor representation of carrier sine wave. (c) Constellation diagram of QPSK.

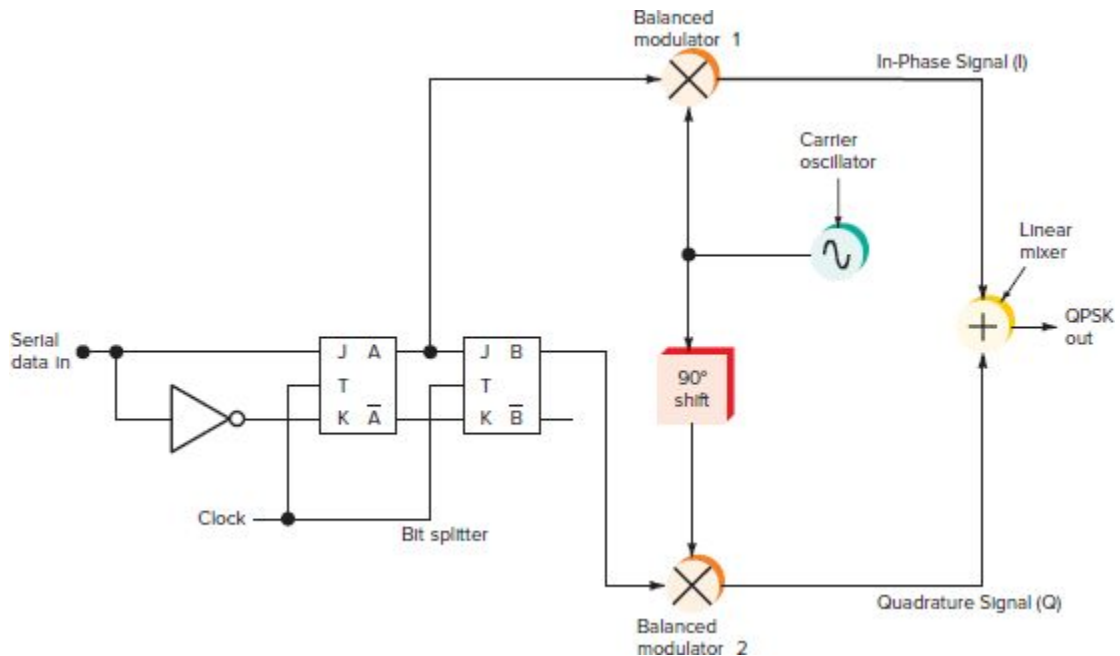


The diagram in Fig. 10-23(b) is called a constellation diagram. It shows the modulation signal in the form of phasors. The length of the arrow or phasor indicates the peak voltage level of the signal while its angle to the axis is the phase shift. Sometimes the constellation diagram is simplified by just showing dots on the axis indicating the location of the phasor arrowhead, as in Fig. 10-23(c). This simplifies the diagram, but you should always imagine a phasor drawn from the origin of the axis to each dot. Constellation diagrams are widely used to show phase-amplitude modulation schemes.

You will often hear the term *M*-ary used in [page 364](#) discussing higher coding levels of PSK. It is derived from the word *binary* where in binary $M = 2$, so 2-ary indicates two phase shifts. QPSK is the same as 4-PSK or 4-ary PSK; 8-PSK would be called 8-ary PSK with eight phase positions.

A circuit for producing QPSK is shown in Fig. 10-24. It consists of a 2-bit shift register implemented with flip-flops, commonly known as a *bit splitter*. The serial binary data train is shifted through this register, and the bits from the two flip-flops are applied to balanced modulators. The carrier oscillator is applied to balanced modulator 1 and through a 90° phase shifter to balanced modulator 2. The outputs of the balanced modulators are the in-phase (I) signal and the quadrature signal (Q) that are then linearly mixed to produce the QPSK signal. You can actually view the QPAK modulator as a 2-bit multiplexer.

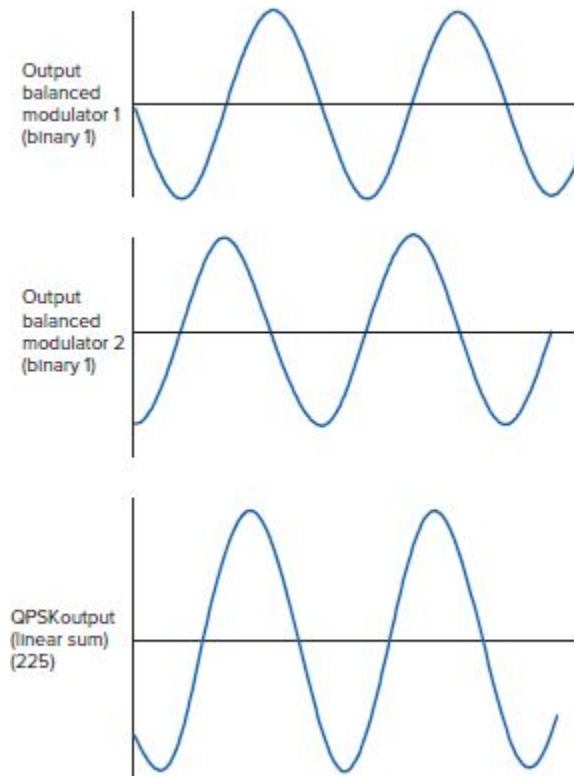
Figure 10-24 A QPSK modulator.



The output from each balanced modulator is a BPSK signal. With a binary 0 input, the balanced modulator produces one phase of the carrier. With a binary 1 input, the carrier phase is shifted 180° . The output of balanced modulator 2 also has two phase states, 180° out of phase with each other. The 90° carrier phase shift at the input causes the outputs from balanced modulator 2 to be shifted 90° from those of balanced modulator 1. The result is four different carrier phases, which are combined two at a time in the linear mixer. The result is four unique output phase states.

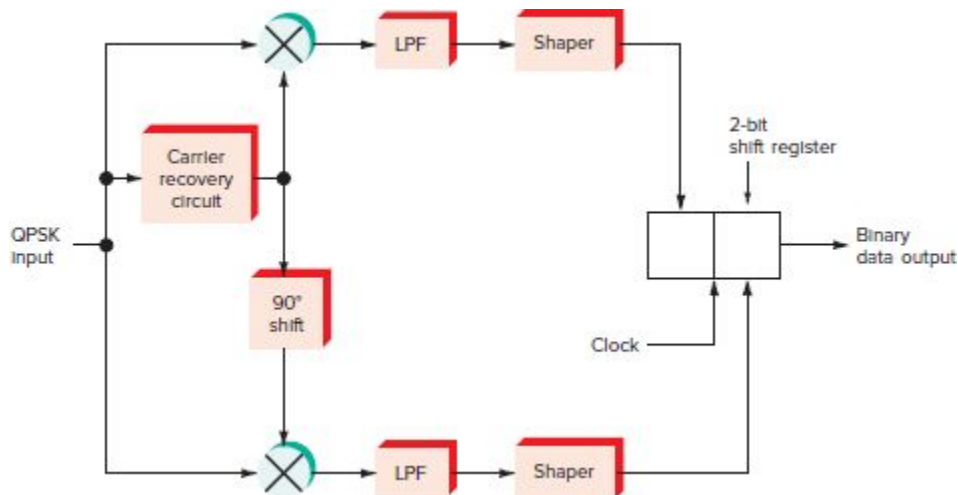
Fig. 10-25 shows the outputs of one possible set page 365 of phase shifts. Note that the carrier outputs from the two balanced modulators are shifted 90° . When the two carriers are algebraically summed in the mixer, the result is an output sine wave that has a phase shift of 225° , which is halfway between the phase shifts of the two balanced modulator signals.

Figure 10-25 How the modulator produces the correct phase by adding two signals.



A demodulator for QPSK is illustrated in Fig. 10-26. The carrier recovery circuit is similar to the one described previously. The carrier is applied to balanced modulator 1 and is shifted 90° before being applied to balanced modulator 2. The outputs of the two balanced modulators are filtered and shaped into bits. The 2 bits are combined in a shift register and shifted out to produce the originally transmitted binary signal.

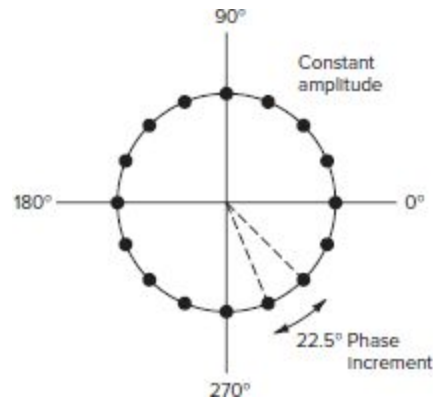
Figure 10-26 A QPSK demodulator.



Encoding still more bits per phase change page 366 produces higher data rates. In 8-PSK, for example, 3 serial bits are used to produce a total of eight different phase changes. In 16-PSK, 4 serial input bits produce 16 different phase changes, for an even higher data rate.

Fig. 10-27 shows the constellation diagram of a 16-PSK signal. The phase increment is 22.5° . Each phasor or dot on the diagram represents a 4-bit number. Note that since all the dots fall on a circle, the amplitude of the 16-PSK signal remains constant while only the phase changes. The radius of the circle is the peak amplitude of the signal. It is said that the signal has a constant “envelope,” where the envelope is simply the line or curve connecting the peaks of the carrier sine waves. It is flat or constant, as is an FM signal.

Figure 10-27 Constellation diagram of a 16-PSK signal.



GOOD TO KNOW

In QAM, the most critical part of the circuit is the level converters. These must have very precise output amplitudes so that the correct output and phase combinations are produced.

QAM. One of the most popular modulation techniques used in modems for increasing the number of bits per baud is *quadrature amplitude modulation (QAM)*. QAM uses both amplitude and phase modulation of a carrier; not only are different phase shifts produced, but also the amplitude of the carrier is varied.

Quadrature amplitude modulation (QAM)

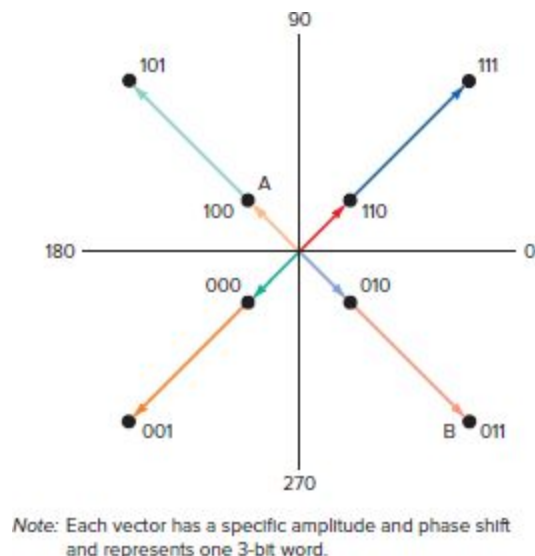
In 8-QAM, there are four possible phase shifts, as in QPSK, and two different carrier amplitudes, so that eight different states can be transmitted. With eight states, 3 bits can be encoded for each baud or symbol transmitted. Each 3-bit binary word transmitted uses a different phase-amplitude combination.

Fig. 10-28 is a *constellation diagram* of an 8-QAM signal showing all possible phase and amplitude combinations. The points in the diagram indicate the eight possible phase-amplitude combinations. Note that there are two amplitude levels for each phase position. Point A shows a low carrier amplitude with a phase shift of 135° . It represents 100.

Point B shows a higher amplitude and a phase shift of 315° . This sine wave represents 011.

Constellation diagram

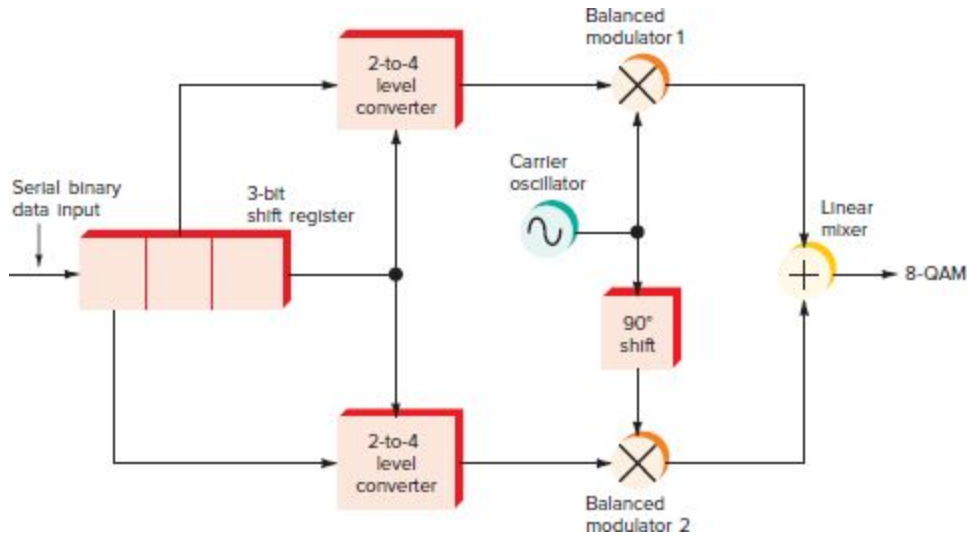
Figure 10-28 A constellation diagram of an 8-QAM signal.



A block diagram of an 8-QAM modulator is shown in Fig. 10-29. The binary data to be transmitted is shifted serially into the 3-bit shift register. These bits are applied in pairs to two 2-to-4 level converters. A 2-to-4 level converter circuit, basically a simple D/A converter, translates a pair of binary inputs into one of four possible dc output voltage levels. The idea is to produce four voltage levels corresponding to the different combinations of 2 input bits, i.e., four equally spaced voltage levels. These are applied to the two balanced modulators fed by the carrier oscillator and a 90° phase shifter, as in a QPSK modulator. Each balanced modulator produces four different output phase-amplitude combinations. When these are combined in the linear mixer, eight different phase-amplitude combinations are produced. The most critical part of the circuit is the 2-to-4 level converters. These must have very precise output amplitudes so that when they are combined in the linear

summer, the correct output and phase combinations are produced. The level converters are simple digital-to-analog converters (DAC).

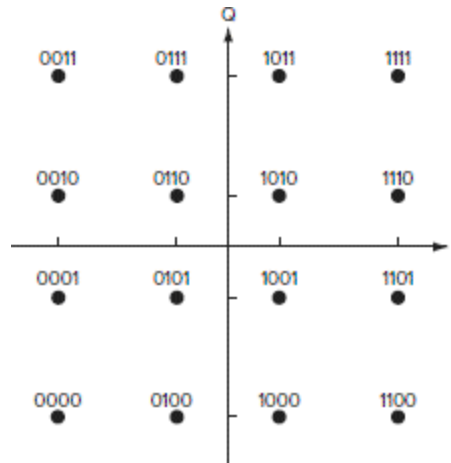
Figure 10-29 An 8-QAM modulator.



A 16-QAM signal can also be generated by encoding 4 input bits at a time. The result is 12 different phase shifts and 3 amplitude levels, producing a total of 16 different phase-amplitude combinations. Even higher data rates can be achieved with 64-QAM and 256-QAM. Multilevel modulation schemes using 1024-QAM to 4096-QAM are also used. These signals are used in cable TV modems, wireless local area networks (WLANs), satellites, 5G cell phones, and high-speed fixed broadband wireless applications.

Fig. 10-30 shows the constellation diagrams of a 16 QAM. Each dot defines one 16-phase-amplitude position that permits representation of 4 bits per symbol, greatly boosting data rate in a narrow channel. These patterns can be viewed on an oscilloscope with the I signal on the x (horizontal) input and the Q signal on the y (vertical) input. Each phase-amplitude combination is shown as a dot.

Figure 10-30 Constellation diagram of 16-QAM modulation.



Spectral Efficiency and Noise

As indicated earlier in this section, spectral efficiency is a measure of how fast data can be transmitted in a given bandwidth. The measure is bits per second per hertz (bps/Hz). As you have seen, different modulation methods give different efficiencies. The table shows the common efficiencies for several common types of modulation.

Modulation	Spectral efficiency, bps/Hz
FSK	<1
GMSK	1.35
BPSK	1
QPSK	2
8-PSK	3
16-QAM	4

With a modulation method like BPSK where the efficiency is 1 bps/Hz, you can actually transmit data at a rate equal to the bandwidth or

$$BW = f_b = \frac{1}{t_b}$$

where f_b is the data rate in bits per second and t_b is the bit time.

Another factor that clearly influences the spectral efficiency is the noise in the channel or the signal-to-noise (S/N) ratio. Obviously the greater the noise, the greater the number of bit errors. The number of errors that occur in a given time is called the *bit error rate (BER)*. The BER is simply the ratio of the number of errors that occur in 1 s of a 1-s interval of data transmission. For example, if five errors occur in 1 s in a 10 Mbps transmission, the BER is

Bit error rate (BER)

$$\text{BER} = \frac{5}{10} \times 10^6 = 0.5 \times 10^{-6} \quad \text{or} \quad 5 \times 10^{-7}$$

Some modulation schemes are more immune to the noise than others. Basic modulation schemes like FSK and BPSK are fairly tolerant of noise. But QAM is significantly affected. The higher the M -ary level the more likely that noise will cause some variation in either the phase or amplitude of each dot. If severe enough, these variations will cause bit errors. While observing a QAM signal, noise can be seen as a cluster of dots where a single dot should be.

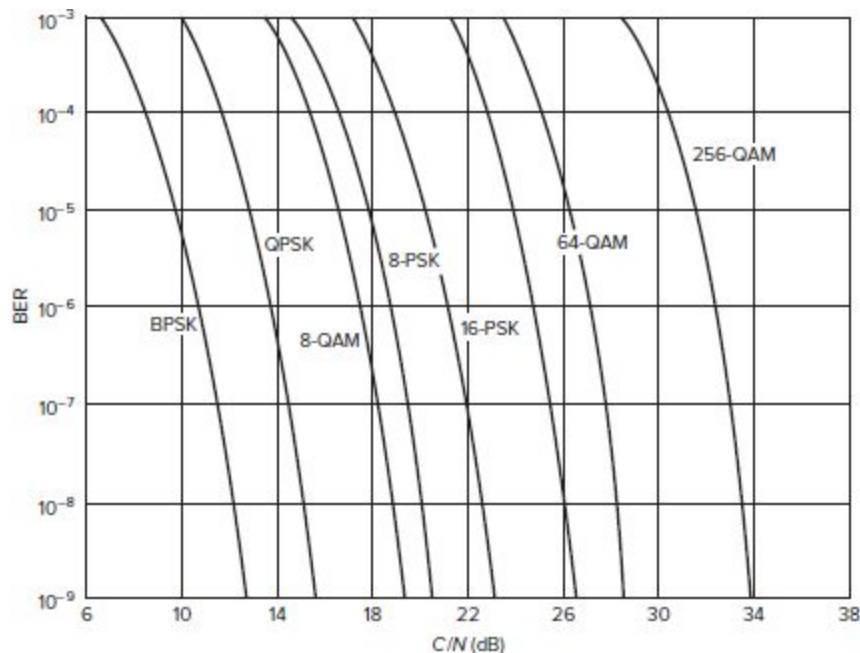
The S/N covered in previous chapters was the page 369 ratio of signal rms voltage to noise rms voltage. You can also use the ratio of the average signal power of the carrier plus the sidebands to the noise power, usually the thermal noise. This is called the *carrier-to-noise (C/N)* ratio. Generally C/N is expressed in decibels.

Carrier-to-noise (C/N)

Fig. 10-31 shows the relationship between the C/N and BER for different modulation methods. What this graph shows is that for a given BER, the modulation methods with the fewest symbol changes or the smaller bits per hertz give the best performance at the lower C/N ratios. For a BER of 10^{-6} , BPSK needs only a C/N of 11 dB, while for 16-QAM a C/N of 20 dB is needed. Amplitude-modulated signals are

always more susceptible to noise than are constant-envelope forms of modulation such as PSK and FSK, so you need more signal power to overcome the noise to get the desired BER. Such a graph lets you compare and evaluate different modulation schemes. Just keep in mind that bandwidth does not enter the picture here. When comparing methods, you must remember that noise increases with bandwidth.

Figure 10-31 BER versus C/N for popular digital modulation methods.



A better measure of signal-to-noise ratio for digital data is the ratio of energy per bit transmitted to the noise power density, or E_b/N_0 , usually pronounced “ E sub b over N sub zero.” Remember that energy is expressed in joules (J), where one joule per second (J/s) is equal to one watt (1 W), or $1 \text{ W} = 1 \text{ J/s}$. Therefore, E_b is the power in 1 bit P multiplied by the bit time t_b , or $E_b = Pt_b$.

The noise power density in watts per hertz (W/Hz), which we call N_0 , is the thermal noise power N divided by the

bandwidth of the channel B . Recall that thermal noise power is $N = kTB$, where k is Boltzmann's constant 1.38×10^{-23} , T is the temperature in kelvins, and B is the bandwidth in hertz. Room temperature is about 290 K.

$$N_0 = \frac{kTB}{B} = kT$$

The overall result is

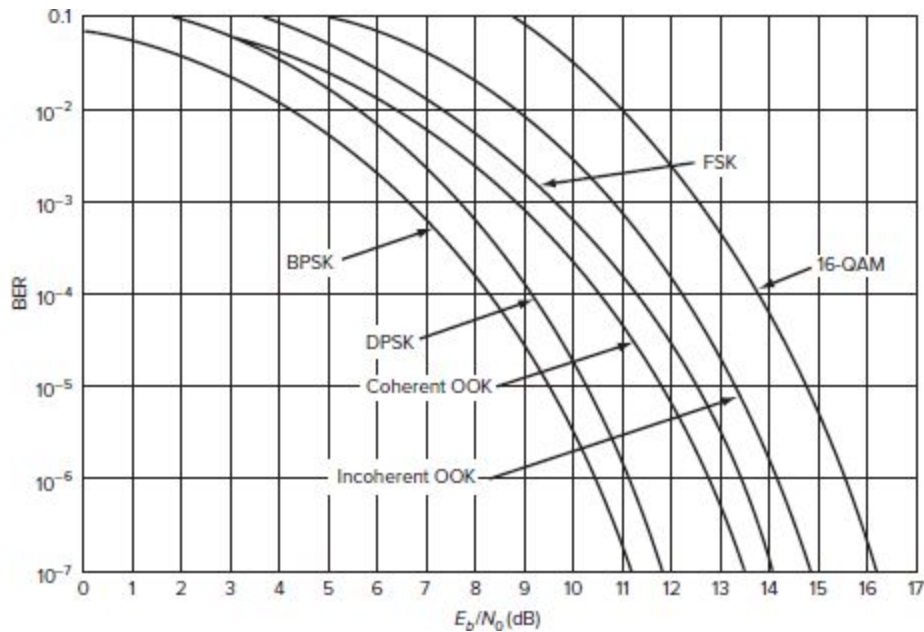
$$\frac{E_b}{N_0} = \frac{Pt_b}{kT}$$

This relationship can be further manipulated to [page 370](#) show E_b/N_0 in terms of C/N . This relationship is

$$\frac{E_b}{N_0} = \left(\frac{C}{N}\right)\left(\frac{B}{f_b}\right)$$

Here B is the bandwidth in hertz and f_b is the bit rate or bit frequency (f_b) where $f_b = 1/t_b$. Given C/N and the other factors, you can calculate E_b/N_0 . What E_b/N_0 does is to take bandwidth out of the comparison. It normalizes all the different multiphase/amplitude schemes to a noise bandwidth of 1 Hz, giving you a better way to compare and contrast the various modulation methods for a given BER. You will often see curves like that in Fig. 10-31 plotted with BER on the vertical axis and E_b/N_0 rather than C/N on the horizontal axis. Fig. 10-32 is an example. Note the role that coherency plays (carrier sine waves start and stop on the zero crossing). Coherent OOK needs a lower signal-to-noise ratio than incoherent OOK for a given BER.

Figure 10-32 BER vs. E_b/N_0 for different modulation methods.



10-5 Wideband Modulation

Most modulation methods are designed to be spectrally efficient, i.e., to transmit as many bits per hertz as possible. The goal is to minimize the use of spectrum space and to transmit the highest speed possible in the given bandwidth. However, there is another class of modulation methods that do just the opposite. These methods are designed to use more bandwidth. The transmitted signal occupies a bandwidth many times greater than the information bandwidth. Special benefits derive from such wideband modulation techniques. The two most widely used wideband modulation methods are spread spectrum and orthogonal frequency-division multiplexing.

Spread Spectrum

Spread spectrum (SS) is a modulation and multiplexing technique that distributes a signal and its sidebands over a very wide bandwidth. Traditionally, the efficiency of a

modulation or multiplexing technique is determined by how little bandwidth it uses. The continued growth of all types of radio communication, the resulting crowding, and the finite bounds of usable spectrum space have made everyone in the world of data communication sensitive to how much bandwidth a given signal occupies. Designers of communication systems and equipment typically do all in their power to minimize the amount of bandwidth a signal takes. How, then, can a scheme that spreads a signal over a very wide piece of the spectrum be of value? The answer to this question is the subject of this section.

Spread spectrum (SS)

After World War II, spread spectrum was [page 371](#) developed primarily by the military because it is a secure communication technique that is essentially immune to jamming. In the mid-1980s, the FCC authorized use of spread spectrum in civilian applications. Currently, unlicensed operation is permitted in the 902- to 928-MHz, 2.4- to 2.483-GHz, and 5.725- to 5.85-GHz ranges, with 1 W of power. Spread spectrum on these frequencies is being widely incorporated into a variety of commercial communication systems. One of the most important of these new applications is wireless data communication. Numerous LANs and portable personal computer modems use SS techniques, as does a class of cordless telephones in the 900-MHz, 2.4-, and 5.8-GHz ranges. The most widespread use of SS is in cellular telephones in the 800- to 900-MHz and 1800- to 1900-MHz ranges. It is referred to as *code-division multiple access (CDMA)*.

Code-division multiple access (CDMA)

There are two basic types of spread spectrum: *frequency-hopping (FH)* and *direct-sequence (DS)*. In frequency-hopping SS, the frequency of the carrier of the transmitter is changed according to a predetermined sequence, called

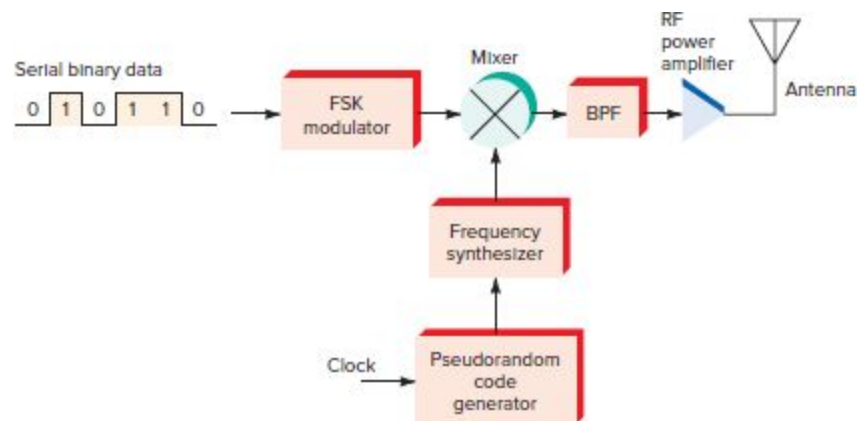
pseudorandom, at a rate higher than that of the serial binary data modulating the carrier. In direct-sequence SS, the serial binary data is mixed with a higher-frequency pseudorandom binary code at a faster rate, and the result is used to phase-modulate a carrier.

Frequency-Hopping Spread Spectrum

Fig. 10-33 shows a block diagram of a *frequency-hopping SS transmitter*. The serial binary data to be transmitted is applied to a conventional two-tone FSK modulator, and the modulator output is applied to a mixer. Also driving the mixer is a frequency synthesizer. The output signal from the bandpass filter after the mixer is the difference between one of the two FSK sine waves and the frequency of the frequency synthesizer. As the figure shows, the synthesizer is driven by a pseudorandom code generator, which is either a special digital circuit or the output of a microprocessor.

Frequency-hopping (FH) SS

Figure 10-33 A frequency-hopping SS transmitter.



The pseudorandom code is a serial pattern of binary 0s and 1s that changes in a random fashion. The randomness of the 1s and 0s makes the serial output of this circuit appear as digital noise. Sometimes the output of this

generator is called *pseudorandom noise (PSN)*. The binary sequence is actually predictable, since it does repeat after many bit changes (hence “pseudo”). The randomness is sufficient to minimize the possibility of someone accidentally duplicating the code, but the predictability allows the code to be duplicated at the receiver.

Pseudorandom noise (PSN)

PSN sequences are usually generated by a shift page 372 register circuit similar to that shown in Fig. 10-34. In the figure, eight flip-flops in the shift register are clocked by an external clock oscillator. The input to the shift register is derived by X-ORing two or more of the flip-flop outputs. It is this connection that produces the pseudorandom sequence. The output is taken from the last flip-flop in the register. Changing the number of flip-flops in the register and/or which outputs are X-ORed and fed back changes the code sequence. Alternatively, a microprocessor can be programmed to generate pseudorandom sequences.

Figure 10-34 A typical PSN code generator.



In a frequency-hopping SS system, the rate of synthesizer frequency change is higher than the data rate. This means that although the data bit and the FSK tone it produces remain constant for one data interval, the frequency synthesizer switches frequencies many times during this period. See Fig. 10-35, where the frequency synthesizer changes frequencies four times for each bit time of the

serial binary data. The time that the synthesizer remains on a single frequency is called the *dwell time*. The frequency synthesizer puts out a random sine wave frequency to the mixer, and the mixer creates a new carrier frequency for each dwell interval. The resulting signal, whose frequency rapidly jumps around, effectively scatters pieces of the signal all over the band. Specifically, the carrier randomly switches between dozens or even hundreds of frequencies over a given bandwidth. The actual dwell time on any frequency varies with the application and data rate, but it can be as short as 10 ms. Currently, FCC regulations specify that there be a minimum of 75 hopping frequencies and that the dwell time not exceed 400 μ s.

Figure 10-35 Serial data and the PSN code rate.

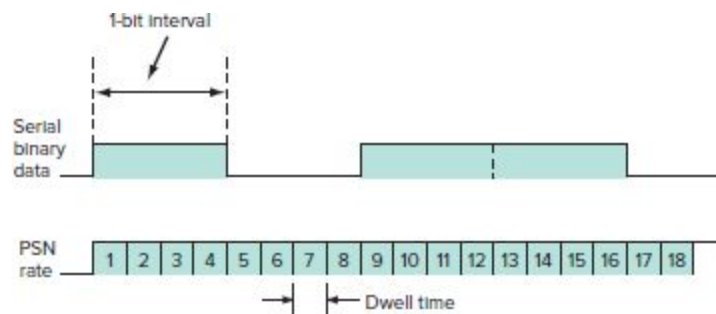
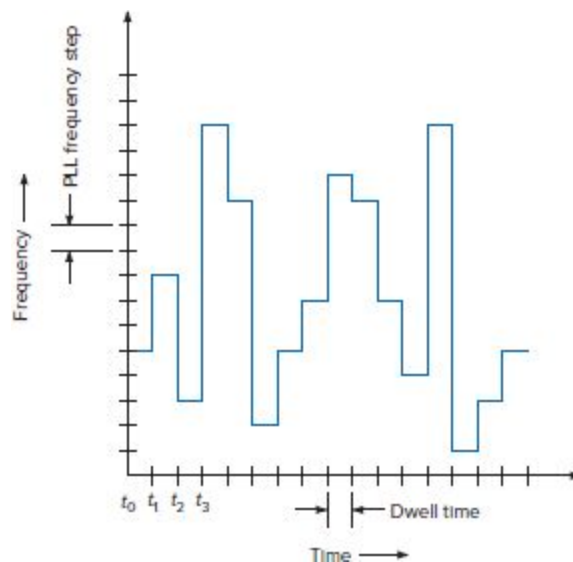


Fig. 10-36 shows a random frequency-hop sequence. The horizontal axis is divided into dwell time increments. The vertical axis is the transmitter output frequency, divided into step increments of the PLL frequency synthesizer. As shown, the signal is spread out over a very wide bandwidth. Thus a signal that occupies only a few kilohertz of spectrum can be spread out over a range that is 10 to 10,000 times that wide. Because an SS signal does not remain on any one frequency for a long time, but jumps around randomly, it does not interfere with a traditional signal on any of the hopping frequencies. An SS signal actually appears to be more like background noise to a conventional narrow-

bandwidth receiver. A conventional receiver picking up such a signal will not even respond to a signal of tens of milliseconds duration. In addition, a conventional receiver cannot receive an SS signal because it does not have a wide enough bandwidth and it cannot follow or track its random-frequency changes. Therefore, the SS signal is as secure as if it were scrambled.

Figure 10-36 A pseudorandom frequency-hop sequence.

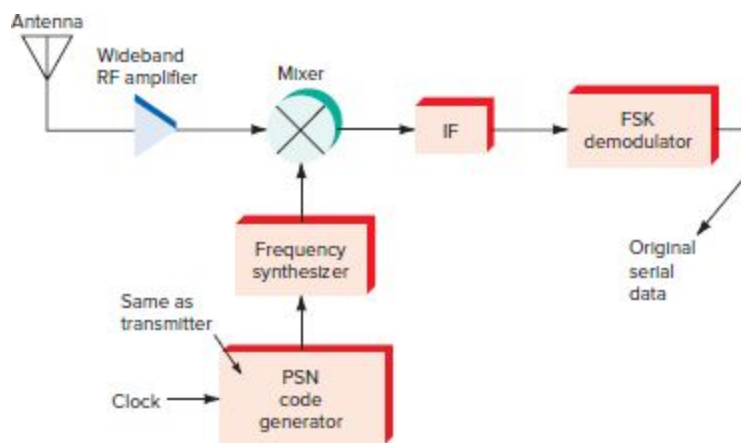


Two or more SS transmitters operating over the same bandwidth but with different pseudorandom codes hop to different frequencies at different times, and do not typically occupy a given frequency simultaneously. Thus SS is also a kind of multiplexing, as it permits two or more signals to use a given bandwidth concurrently without interference. In effect, SS permits more signals to be packed in a given band than any other type of modulation or multiplexing.

A frequency-hopping receiver is shown in Fig. 10-37. The very wideband signal picked up by the antenna is applied to a broadband RF amplifier and then to a conventional mixer. The mixer, like that in any superheterodyne receiver, is driven by a local oscillator. In this case, the local oscillator is

a frequency synthesizer like the one used at the transmitter. The local oscillator at the receiving end must have the same pseudorandom code sequence as that generated by the transmitter so that it can receive the signal on the correct frequency. The signal is thus reconstructed as an IF signal that contains the original FSK data. The signal is then applied to an FSK demodulator, which reproduces the original binary data train.

Figure 10-37 A frequency-hopping receiver.



One of the most important parts of the receiver is the circuit that is used to acquire and synchronize the transmitted signal with the internally generated pseudorandom code. The problem of getting the two codes into step with each other is solved by a preamble signal and code at the beginning of the transmission. Once synchronization has been established, the code sequences occur in step. This characteristic makes the SS technique extremely secure and reliable. Any receiver not having the correct code cannot receive the signal.

Many stations can share a common band if, [page 374](#) instead of assigning each station a single frequency to operate on, each is given a different pseudorandom code within the same band. This permits a transmitter to

selectively transmit to a single receiver without other receivers in the band being able to pick up the signal. A popular wireless technology using FHSS is Bluetooth.

Direct-Sequence Spread Spectrum

A block diagram of a *direct-sequence SS (DSSS)* transmitter is shown in Fig. 10-38. The serial binary data is applied to an X-OR gate along with a serial pseudorandom code that occurs faster than the binary data. Fig. 10-39 shows typical waveforms. One bit time for the pseudorandom code is called a *chip*, and the rate of the code is called the *chipping rate*. The chipping rate is faster than the data rate.

Direct-sequence SS

Chipping rate

Figure 10-38 A direct-sequence SS transmitter.

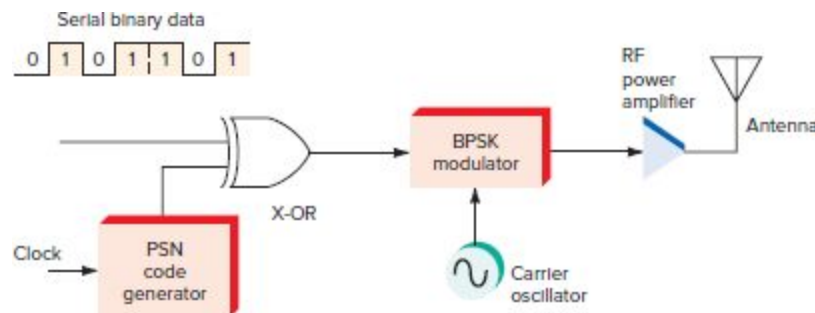
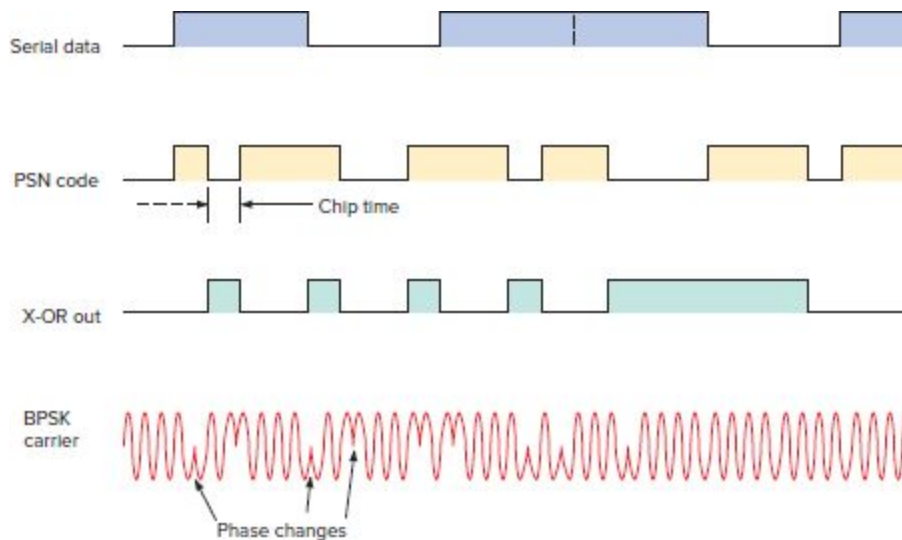


Figure 10-39 Data signals in direct-sequence SS.

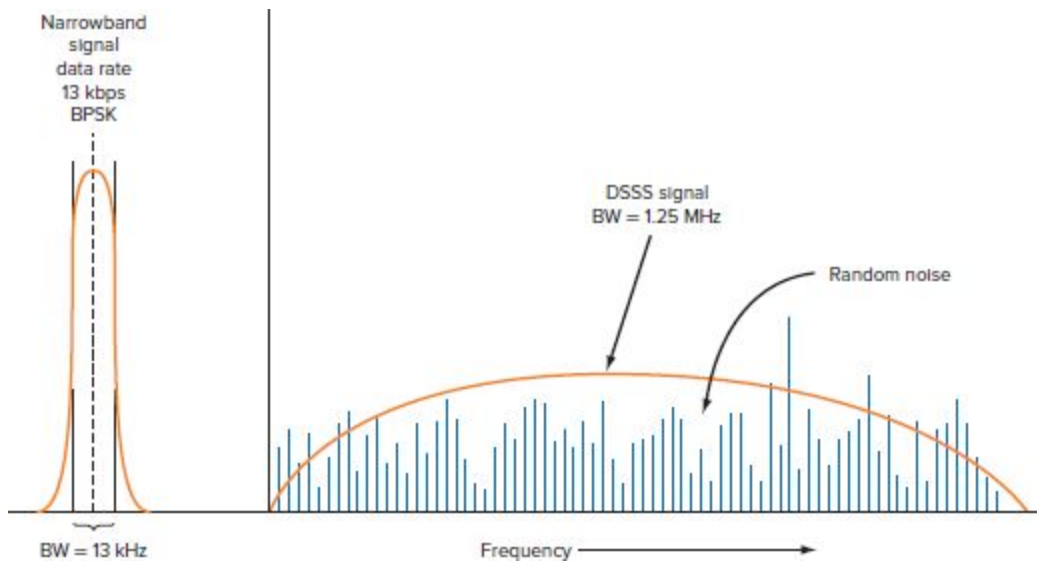


The signal developed at the output of the X-OR gate is then applied to a PSK modulator, typically a BPSK device. The carrier phase is switched between 0° and 180° by the 1s and 0s of the X-OR output. QPSK and other forms of PSK can also be used. The PSK modulator is generally some form of balanced modulator. The signal phase modulating the carrier, being much higher in frequency than the data signal, causes the modulator to produce multiple, widely spaced sidebands whose strength is such that the complete signal takes up a great deal of the spectrum. Thus the resulting signal is spread. Because of its randomness, the signal looks like wideband noise to a conventional narrowband receiver.

Fig. 10-40 shows a standard narrowband signal page 375 and a spread spectrum signal. Assume a binary information signal that is occurring at a rate of 13 kbps. If we use BPSK with its 1 bit/Hz efficiency, we could transmit this signal in a bandwidth of about 13 kHz. Now, if we use DSSS with a chipping signal of 1.25 Mbps, the resulting signal will be spread over about 1.25 MHz of bandwidth if we use BPSK. The spread signal has the same power as the narrowband signal but far more sidebands, so the amplitudes of the carrier and sidebands are very low and

just above the random noise level. To a narrowband receiver, the signal just looks like a part of the noise level.

Figure 10-40 Comparison between narrowband and spread spectrum signals.



The effect of spreading the signal is to provide a type of gain called processing gain to the signal. This gain helps to improve the overall signal-to-noise ratio. The higher the gain, the greater the ability of the system to fight interference. This processing gain G is

$$G = \frac{BW}{f_b}$$

where BW is the channel bandwidth and f_b is the data rate. For the example in Fig. 10-40, the process gain is

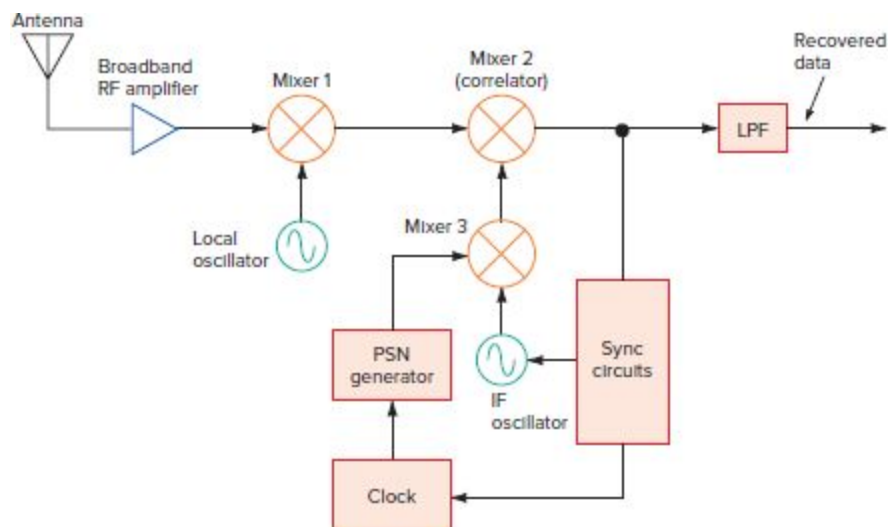
$$G = \frac{1.25 \text{ MHz}}{13 \text{ kbps}} = 96.15$$

In terms of decibels, this is a power gain of 19.83 dB.

One type of direct-sequence receiver is shown in Fig. 10-41. The broadband SS signal is amplified, mixed with a local oscillator, and then translated down to a lower IF in mixer 1.

For example, the SS signal at an original carrier of 902 MHz might be translated down to another IF of 70 MHz. The IF signal is then compared to another IF signal that is produced in mixer 3 using a PSN sequence that is similar to that transmitted. The output of mixer 3 should be identical to the output of mixer 1 but shifted in time. This comparison process, called *correlation*, takes place in mixer 2. If the two signals are identical, the correlation is 100 percent. If the two signals are not alike in any way, the correlation is 0. The correlation process in the mixer produces a signal that is averaged in the low-pass filter at the output of mixer 2. The output signal will be a high average value if the transmitted and received PSN codes are alike.

Figure 10-41 A direct-sequence receiver.



The signal out of mixer 2 is fed to a synchronization circuit, which must re-create the exact frequency and phase of the carrier so that demodulation can take place. The synchronization circuit varies the clock frequency so that the PSN code output frequency varies, seeking the same chip rate as the incoming signal. The clock drives a PSN code generator containing the exact code used at the transmitter. The PSN code in the receiver is the same as

that of the received signal, but the two are out of sync with each other. Adjusting the clock by speeding it up or slowing it down eventually causes the two to come into synchronization.

The PSN code produced in the receiver is used to page 376 phase-modulate a carrier at the IF in mixer 3. Like all the other mixers, this one is usually of the double balanced diode ring type. The output of mixer 2 is a BPSK signal similar to that being received. It is compared to the received signal in mixer 3, which acts as a correlator. The output of mixer 3 is then filtered to recover the original serial binary data. The received signal is said to be *despread*.

Despread

Direct-sequence SS is also called *code-division multiple access (CDMA)*, or SS multiple access. The term *multiple access* applies to any technique that is used for multiplexing many signals on a single communication channel. CDMA is used in satellite systems so that many signals can use the same transponder. It is also widely used in cellular telephone systems, for it permits more users to occupy a given band than other methods.

Code-division multiple access (CDMA)

Multiple access

Benefits of Spread Spectrum

Spread spectrum is being used in more and more applications in data communication as its benefits are discovered and as new components and equipment become available to implement it.

- **Security.** SS prevents unauthorized listening. Unless a receiver has a very wide bandwidth and the exact

pseudorandom code and type of modulation, it cannot intercept an SS signal.

- **Resistance to jamming and interference.** Jamming signals are typically restricted to a single frequency, and jamming one frequency does not interfere with an SS signal. Similarly, unintentional interference from a signal occupying the same band is greatly minimized and in most cases virtually eliminated.
- **Band sharing.** Many users can share a single band with little or no interference. (As more and more signals use a band, the background noise produced by the switching of many signals increases, but not enough to prevent highly reliable communication.)
- **Resistance to fading and multipath propagation.** Frequency-selective fading occurs during signal propagation because signals of different frequencies arrive at a receiver at slightly different times due to reflections from other objects. SS virtually eliminates wide variations of signal strength due to reflections and other phenomena during propagation.
- **Precise timing.** Use of the pseudorandom code in SS provides a way to precisely determine the start and end of a transmission. Thus SS is a superior method for radar and other applications that rely on accurate knowledge of transmission time to determine distance.

Orthogonal Frequency-Division Multiplexing

Another wideband modulation method growing in popularity is called *OFDM*. Also known as *multicarrier modulation (MCM)*, this relatively new form of modulation was first

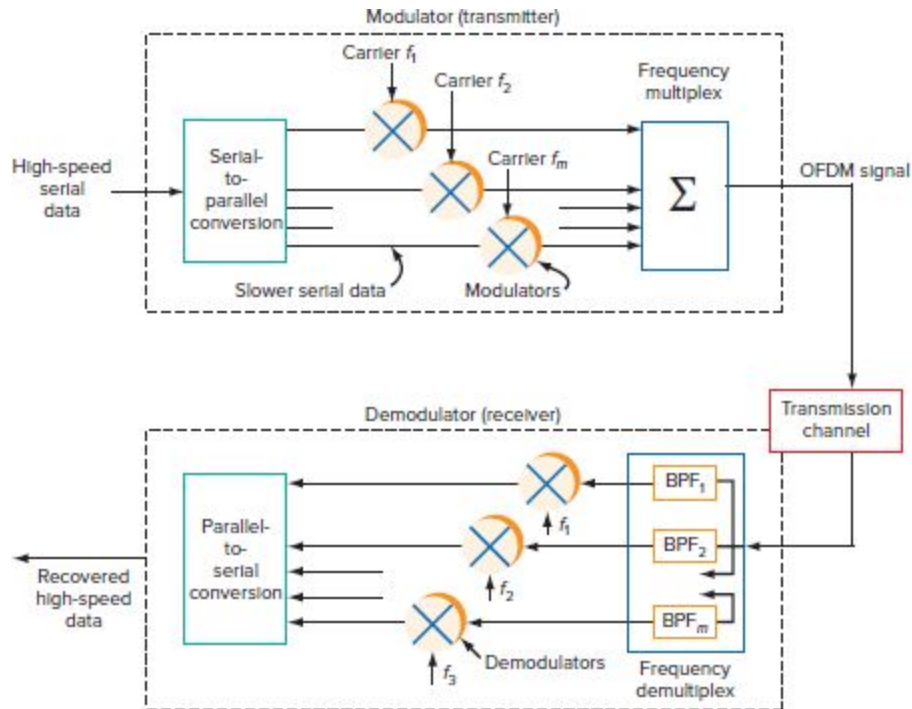
proposed in the 1950s but was not seriously considered until the 1980s and early 1990s. OFDM was not widely implemented until the late 1990s because of its complexity and cost. Today, fast DSP chips make OFDM practical.

Orthogonal frequency-division multiplexing (OFDM)

Although OFDM is known as a modulation method as opposed to a multiplexing method, the term *frequency-division multiplexing* is appropriate because the method transmits data by simultaneously modulating segments of the high-speed serial bit stream onto multiple carriers spaced throughout the channel bandwidth. The carriers are frequency-multiplexed in the channel. The data rate on each channel is very low, making the symbol time much longer than predicted transmission delays. This technique spreads the signals over a wide bandwidth, making them less sensitive to the noise, fading, reflections, and multipath transmission effects common in microwave communication. Because of the very wideband nature of OFDM, it is considered to be a hybrid of spread spectrum.

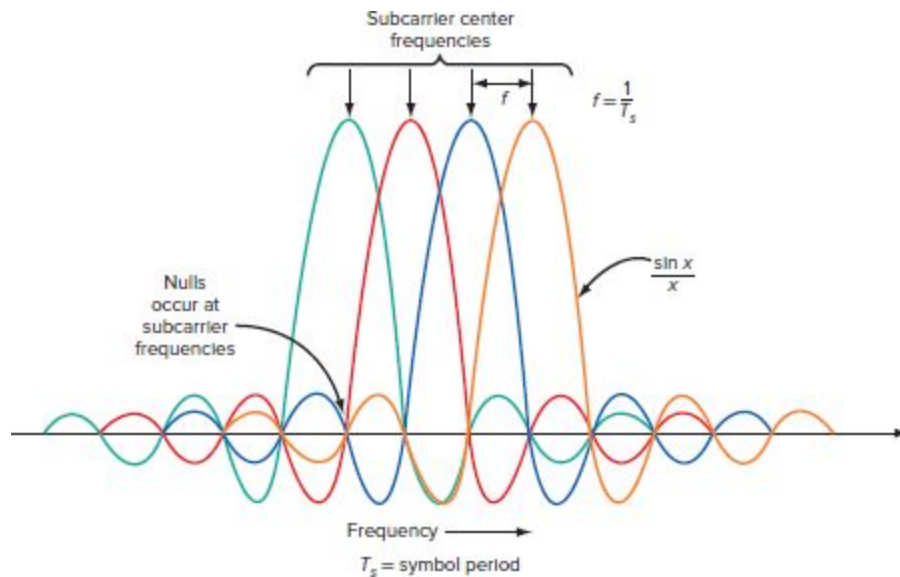
Fig. 10-42 shows the concept of an OFDM modem. The single serial data stream is divided into multiple slower but parallel data paths, each of which modulates a separate subcarrier. For example, a 10-Mbps data signal could be split into 1000 data signals of 10 kbps transmitted in parallel. A common format is to space the subcarriers equally across the channel by a frequency that is the reciprocal of the subcarrier symbol rate. In the situation described here, the spacing would be 10 kHz. This is what makes the carriers orthogonal. Orthogonal means that each carrier has an integer number of sine wave cycles in one bit period.

Figure 10-42 Concept of OFDM that is not implemented as shown but is expressed mathematically and generated by digital processing in a processor or FPGA.



A plot of the bandwidth of each modulated carrier page 378 is the familiar $(\sin x)/x$ curve discussed in Chap. 2. (See Fig. 10-43.) Nulls occur at those points equal to the symbol rate. With this arrangement, all carriers lie at the null frequencies of the adjacent carriers. This permits simplified demultiplexing. Typically, BPSK, QPSK, or some form of QAM is used as the modulation method. In using QPSK or QAM, multiple bits per symbol are transmitted to permit a higher overall data rate. The subcarriers are algebraically added, and the resulting composite transmitted. Again referring to Fig. 10-42, note that the demodulator or receiver uses filters to separate out the individual subcarriers, and demodulators to recover the individual bit streams, which are then reassembled into the original serial data.

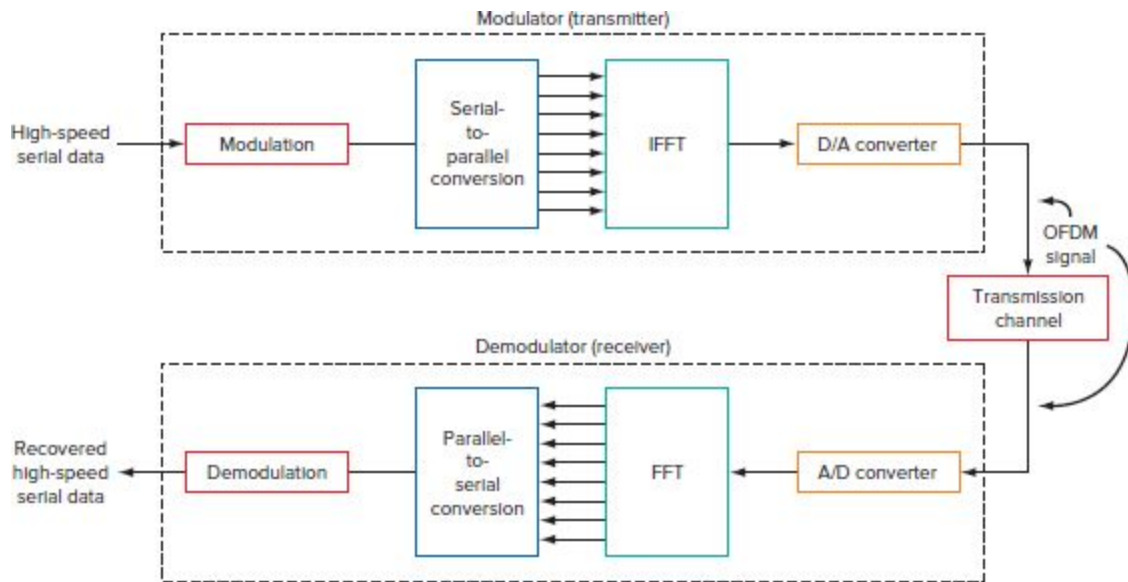
Figure 10-43 Subcarrier spectrum in OFDM.



When tens, hundreds, or even thousands of subchannels are used, as is the case in modern systems, obviously traditional modulator, demodulator, and filter circuits are impractical because of size, complexity, and cost. However, all of these functions can be readily programmed into a fast DSP chip.

A simplified version of the process is shown in Fig. 10-44. At the transmitter or modulator, the serial data is modulated; then a serial-to-parallel conversion is performed. The inverse fast Fourier transform (IFFT) is then implemented. This process produces all the orthogonal subcarriers. The D/A converter converts the OFDM signal to analog form and transmits it over the communication medium.

Figure 10-44 Simplified processing scheme for OFDM in DSP.



At the receiver or demodulator, the OFDM signal [page 379](#) is digitized by the A/D converter, and then an FFT is performed. Recall that an FFT essentially does a spectrum analysis of a time-domain signal. A sampled time-domain analog signal is translated to a frequency-domain plot of spectral content by the FFT. The receiver FFT DSP sorts out the subcarriers and demodulates the original data, which is then reassembled into the original high-speed data stream.

Like most other modems, the OFDM modem is a fast DSP or FPGA chip programmed with all the mathematical algorithms that produce the functions defined by the blocks in Figs. 10-42 and 10-44.

Today, OFDM is widely used in wireless local-area networks (LANs), the fourth-generation (4G) Long Term Evolution (LTE) and 5G cellular networks. A version of OFDM for wired communication systems, known as *discrete multitone (DMT)*, used in ADSL modems is discussed later in this chapter. It is also the method chosen for transmitting high-quality audio in digital satellite radio broadcasting systems. More recently, OFDM has replaced 8-VSB AM used in digital high-definition TV systems and standards (ASTC 3.0). OFDM is also used in the high-speed version of wireless LANs (802.11 or Wi-Fi) and in the broadband wireless

system called WiMAX. When the digital data to be transmitted is accompanied by some form of forward error correction scheme (Trellis code, etc.), the method is called *coded OFDM* or *COFDM*. OFDM is also the modulation of choice for the 5G cellular system.

10-6 Broadband Modem Techniques

A modem or modulator-demodulator is the circuitry used to translate a baseband signal, usually digital, to a higher transmission frequency that is better suited to the transmission medium. A good example is that digital data is not that compatible with the twisted-pair cable used in telephone systems. The bandwidth is too limited. However, modulating the data onto a carrier provides a way to transmit the data over a system originally designed for analog voice. Modems are used with all types of cables such as the telephone lines and the coaxial cable of cable TV. And modems can be of the radio variety where they are used to transmit data wirelessly. This section provides an overview of several types of popular modems.

xDSL Modems

Although the twisted-pair telephone line to the central office is normally said to have a maximum bandwidth of 4 kHz, the truth is that the bandwidth of this line varies with its length, and it can handle higher frequencies than expected. Because of the line characteristics, the higher frequencies are greatly attenuated. However, by transmitting the higher frequencies at higher voltage levels and using line compensation techniques, it is possible to achieve very high data rates. New modulation methods also permit previously

unachievable line rates. The digital subscriber line describes a set of standards set by the International Telecommunications Union that greatly extend the speed potential of the common twisted-pair telephone lines. In the term *xDSL*, the *x* designates one of several letters that define a specific DSL standard.

xDSL modem

The most widely used form of DSL is called *asymmetric digital subscriber line (ADSL)*. This system permits downstream data rates up to 8 Mbps and upstream rates up to 640 kbps using the existing telephone lines. (*Asymmetric* means unequal upstream and downstream rates.)

Asymmetric digital subscriber line (ADSL)

Asymmetric

The connection between a telephone subscriber and the nearest telephone central office is twisted-pair cable using size 24 or 26 copper wire. Its length is usually anywhere between 9000 and 18,000 ft (2.7 to 5.5 km). This cable acts as a low-pass filter. Its attenuation to very high frequencies is enormous. Digital signals are seriously delayed and distorted by such a line. For this reason, only the lower 0- to 4-kHz bandwidth is used for voice.

ADSL employs some special techniques so that page 380 more of the line bandwidth can be used to increase data rates. Even though a 1-MHz signal may have an attenuation of up to 90 dB on an 18,000-ft line, special amplifiers and frequency compensation techniques make the line usable.

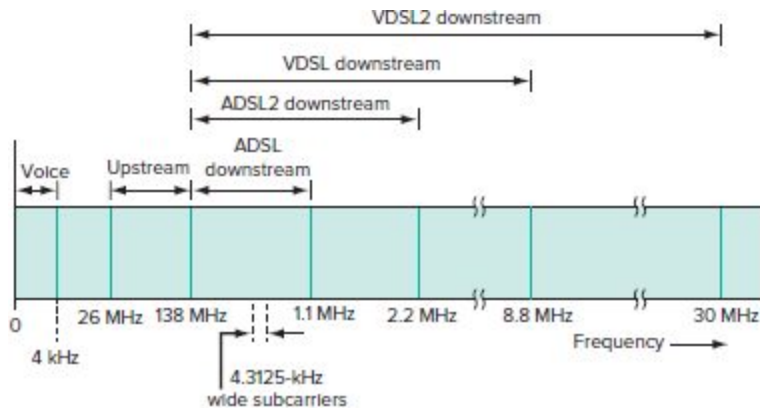
The modulation scheme used with ADSL modems is called *discrete multitone (DMT)*, another name for OFDM, discussed earlier in this chapter. It divides the upper frequency spectrum of the telephone line into channels, each 4.3125 kHz wide. See Fig. 10-45. Each channel, called

a *bin* or subcarrier, is designed to transmit at speeds up to 15 kbps/Bd or 60 kbps.

Discrete multitone (DMT)

Bin

Figure 10-45 Spectrum of telephone line used by ADSL and VDSL.



The spectrum of the unshielded twisted-pair cable showing the subcarriers and the upstream and downstream allocations for ADSL, ADSL2, VDSL, and VDSL2.

Each channel contains a carrier that is simultaneously phase-amplitude-modulated (QAM) by some of the bits to be transmitted. The serial data stream is divided up so that each carrier transmits some of the bits. All bits are transmitted simultaneously. Also, all the carriers are frequency-multiplexed into the line bandwidth above the normal voice telephone channel, as Fig. 10-45 shows.

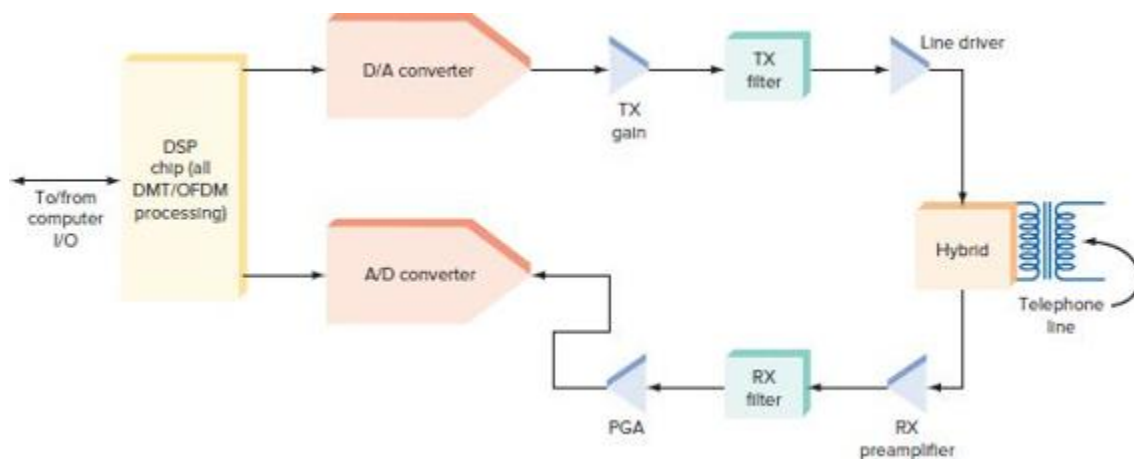
The upstream signal uses the 4.3125-kHz bins from 25.875 to 138.8 kHz, and the downstream signal uses bins in the 138-kHz to 1.1-MHz range.

The number of bits per baud and the data rate per bin vary according to the noise on the line. The less noise there is in each bin, the higher the data rate. Very noisy bins will carry few or no bits, whereas quiet bins can accommodate the maximum 15 kbps/Bd or 60 kbps.

This system is very complex and is implemented with a digital signal processor. The DSP chip handles all modulation and demodulation functions by simulating them digitally.

Fig. 10-46 shows an ADSL modem. All DMT/OFDM modulation/demodulation is handled by the DSP chip. The digital output of the DSP is converted to analog by the D/A converter. The resulting signal is amplified, filtered, and sent to a line driver that applies a high-level signal to the line. The hybrid is a circuit or transformer that permits simultaneous transmit and receive operations on the telephone line. The transformer matches the circuit impedance to the line.

Figure 10-46 ADSL modem–block diagram.



In the receive mode, the incoming DMT analog signal is amplified, filtered, and applied to a PGA for AGC. The signal is digitized by the A/D converter and applied to the DSP for recovery of the digital data.

Several different levels of ADSL are available. The data rate for each depends upon the length of the subscriber twisted-pair cable. The shorter the cable, the higher the data rate. The highest standard rate is 6.144 Mbps downstream and 576 kbps upstream at a line distance not to exceed 9000 ft. The minimum rate is 1.536 Mbps downstream and 384 kbps upstream at line distances up to 18,000 ft. This is the most common form of ADSL.

ADSL is available in most cities. ADSL is the most page 381 widely used form of high-speed Internet access throughout the world. ADSL is in second place to cable TV modem broadband access.

Other forms of DSL have also been defined. Two of the most recent versions of ADSL are ADSL2 and ADSL2+. Fig. 10-45 shows the spectrum used by the ADSL2 versions. ADSL2 extends the upper download speed to the 8- to 12-Mbps range at a distance of about 8000 ft. ADSL2+ further boosts speeds to 24 Mbps at a distance to about 4000 ft. Some newer standards referred to as bonding standards make use of two twisted pairs in the telephone cable to carry parallel data streams that effectively double the data rate for a given distance.

VDSL, or very high-speed DSL, offers a data rate of up to 52 Mbps one way (download) or 26 Mbps fully symmetrical using QAM. Fig. 10-45 shows the spectrum used. It uses 2048 subcarriers to achieve that speed. VDSL permits digital video to be transmitted and thus offers an alternative to cable TV systems. However, to get this speed, the twisted-pair length is limited to 1000 ft or less at 52 Mbps and less than 3500 ft at 26 Mbps. Internet service providers (ISPs) have also improved DSL service by adding neighborhood terminals called digital subscriber line access multiplexers (DSLAMs). The DSLAMs talk to the central office by way of high-speed fiber-optic cable. The DSLAMs greatly shorten the distance between the central office and the homes, making it possible to achieve the speeds of ADSL2 or VDSL2.

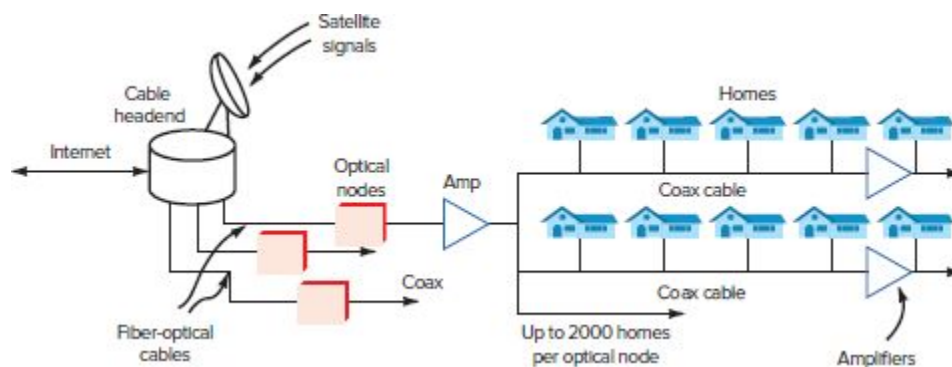
Cable Modems

Most cable TV systems are set up to handle high-speed digital data transmission. The digital data is used to

modulate a high-frequency carrier that is frequency-multiplexed onto the cable that also carries the TV signals.

Cable TV systems use a hybrid fiber-coaxial (HFC) page 382 network. Refer to Fig. 10-47. It consists of the headend where TV signals are collected and packaged for delivery over the 6-MHz channels defined on the cables. The headend also connects to the Internet. The TV signals are delivered over fast fiber-optic cables to neighborhood optical nodes where optical-to-electrical and electrical-to-optical conversions are performed as well as amplification. Then the frequency-multiplexed signals, both TV and Internet access, are sent over coaxial cables to the homes on the network. The cable used is typically RG-6/U 75-ohm coaxial. Each optical node serves from about 500 to 2000 homes. Additional amplification is used along the way as needed.

Figure 10-47 The typical hybrid fiber coax (HFC) cable TV distribution system consists of fiber-optic cable to neighborhood nodes that then distribute the signals to homes with RG-6/U coax.

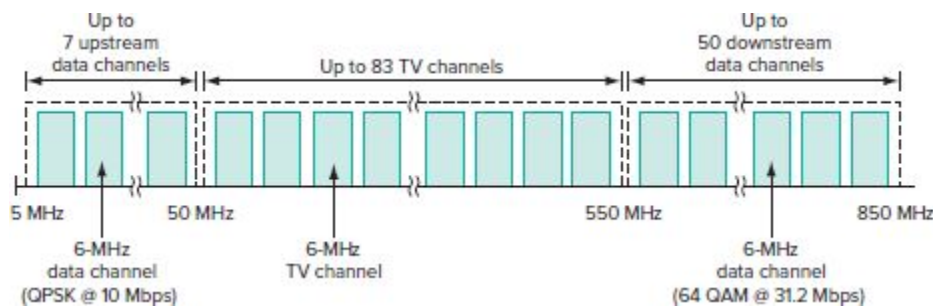


Cable TV systems use a bandwidth of approximately 750 MHz to 1 GHz. This spectrum is divided into 6-MHz-wide channels for TV signals. The standard VHF and UHF channels normally assigned to wireless TV are used on the cable, along with some special cable frequencies. The TV signals are therefore frequency-division-multiplexed onto the cable.

Some of the channels are used exclusively for Internet access.

Fig. 10-48 shows the spectrum of the cable. Television channels extend from 50 MHz (Channel 2) up to 550 MHz. In this 500 MHz of bandwidth, up to 83 channels of 6 MHz can be accommodated. In some systems, the number of channels is extended out to about 1 GHz.

Figure 10-48 Cable TV spectrum showing upstream and downstream data channels on the cable.



The spectrum above the TV channels, from 550 to 850 MHz, is available for digital data transmission. Standard 6-MHz channels are used, giving approximately 50 channels or more. These channels are used for downstream data transmission (from the headend down to the user).

The spectrum from 5 to 50 MHz, as you can see from Fig. 10-48, is divided into seven 6-MHz channels that are used for upstream data transmission (from the user up to the server). This frequency range may be 5 to 42 MHz in some systems or 5 to 65 MHz in other systems.

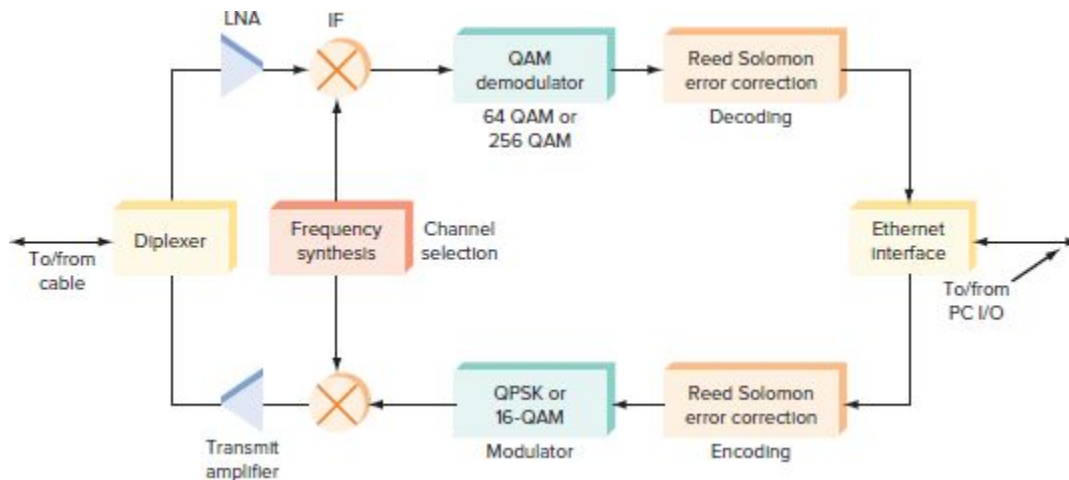
Cable modems use 64-QAM for downstream data. Using 64-QAM in a 6-MHz channel provides a data rate up to 31.2 Mbps. This method of modulation uses 64 different phase-amplitude combinations (symbols) to represent multiple bits. Because each channel is shared by multiple users, the 31.2-Mbps rate is not achieved. Typical rates are in the 500-kbps to 10-Mbps range for downloads. In some systems, 256-QAM is available to provide a maximum data rate of

41.6 Mbps in a 6-MHz channel. Higher subscriber download speeds can then be achieved. In older systems, only one TV signal was transmitted per channel. However, today with modern digital techniques, several digital TV signals can be transmitted per channel by using DSP compression techniques.

Standard QPSK and up to 128-QAM are used in page 383 the upstream channels to achieve a data rate of up to about 27 Mbps. With multiple users, the upstream rate is less.

Fig. 10-49 shows a typical cable modem. It is basically a VHF/UHF receiver connected to the cable for downloads and a modulator/transmitter for uploads. The signal from the cable passes through the diplexer, which is a filter circuit that permits simultaneous transmit and receive operations. The signal is amplified and mixed with a local oscillator signal from the frequency synthesizer to produce an IF signal. The frequency synthesizer selects the cable channel. The IF signal is demodulated to recover the data. Reed Solomon error detection circuitry (see Sec. 10-7) finds and corrects any bit errors. The digital data then goes to an Ethernet interface to the PC. Ethernet is a popular networking system to be discussed in Chap. 14.

Figure 10-49 Cable modem block diagram.



For transmission, the data from the computer is passed through the interface, where it is encoded for error detection. The data then modulates a carrier that is up-converted by the mixer to the selected upstream channel before being amplified and passed through the diplexer to the cable.

Cable modems provide significantly higher data rates than can be achieved over the standard telephone system. The primary limitation is the existence or availability of a cable TV system that offers such data transmission services.

Cable modem standards are set by an industry consortium called Cable Labs. The specification is referred to as the Data over Cable Service Interface Specification (DOCSIS).

The latest version, DOCSIS 3.1, permits channel bonding of two or more channels to achieve higher data rates. Higher rates also derive from higher modulation levels of up to 4096-QAM. DOCSIS 3.1 also permits the use of OFDM with 25-kHz to 50-kHz subcarriers and up to 4096-QAM modulation. This allows the cable companies to deliver up to 10 Gbps downstream and up to 1 Gbps upstream. The cable companies can compete with fiber-optic systems.

10-7 Error Detection and Correction

When high-speed binary data is transmitted over a communication link, whether it is a cable or radio, errors will occur. These errors are changes in the bit pattern caused by interference, noise, or equipment malfunctions. Such errors will cause incorrect data to be received. To ensure reliable communication, schemes have been developed to detect and correct bit errors.

The number of bit errors that occur for a given page 384 number of bits transmitted is referred to as the *bit error rate (BER)*. The bit error rate is similar to a probability in that it is the ratio of the number of bit errors to the total number of bits transmitted. If there is 1 error for 100,000 bits transmitted, the BER is $1:100,000 = 10^{-5}$. The bit error rate depends on the equipment, the environment, and other considerations. The BER is an average over a very large number of bits. The BER for a given transmission depends on specific conditions. When high speeds of data transmission are used in a noisy environment, bit errors are inevitable. However, if the *S/N* ratio is favorable, the number of errors will be extremely small. The main objective in error detection and correction is to maximize the probability of 100 percent accuracy.

Bit error rate (BER)

Example 10-3

Data is transmitted in 512-byte blocks or packets. Eight sequential packets are transmitted. The system BER is $2 : 10,000$ or 2×10^{-4} . On average, how many errors can be expected in this transmission?

$$8 \text{ packets} \times 512 \text{ bytes} = 4096 \text{ bytes}$$

$$4096 \text{ bytes} \times 8 \text{ bits} = 32,768 \text{ bits}$$

$$32,768 / 10,000 = 3.2768 \text{ sets of } 10,000 \text{ bits}$$

$$\text{Average number of errors} = 2 \times 3.2768 = 6.5536$$

The process of error detection and correction involves adding extra bits to the data characters to be transmitted. This process is generally referred to as channel encoding. The data to be transmitted is processed in a way that creates the extra bits and adds them to the original data. At the receiver, these extra bits help in identifying any errors that occur in transmission caused by noise or other channel effects.

A key point about channel encoding is that it takes more time to transmit the data because of the extra bits. For example, to transmit 1 byte of data, the encoding process may add 3 extra bits for a total of 11 bits. These extra bits are called *overhead* in that they extend the time of transmission. If the bit time is 100 ns, then it takes 800 ns to send the data bits but 1100 ns to send the encoded data. The extra overhead bits add 37.5 percent more time to the transmission. As a result, to maintain a desired data rate, the overall clock speed must be increased or the lower data rate must be accepted. While the extra bits decrease the overall efficiency of transmission, remember that the benefit is more reliable data transmission because errors can be detected and/or corrected. Speed is traded off for higher-quality data transmission.

Channel encoding methods fall into two separate categories, error detection codes and error correction codes.

Error detection codes just detect the errors but do not take any corrective action. They simply let the system know that an error has occurred. Typically, these codes simply initiate retransmission until the data is received correctly. The other form of channel coding is error correction or forward error correction. These coding schemes eliminate the time-wasting retransmission and actually initiate self-correcting action.

Error Detection

Many different methods have been used to ensure reliable error detection, including redundancy, special coding and encoding schemes, parity checks, block checks, and cyclical redundancy check.

Redundancy. The simplest way to ensure error-page 385 free transmission is to send each character or each message multiple times until it is properly received. This is known as *redundancy*. For example, a system may specify that each character be transmitted twice in succession. Entire blocks or messages can be treated in the same way. These retransmission techniques are referred to as automatic repeat request (ARQ).

Redundancy

Encoding Methods. Another approach is to use an encoding scheme like the RZ-AMI described earlier, whereby successive binary 1 bits in the bit stream are transmitted with alternating polarity. If an error occurs somewhere in the bit stream, then 2 or more binary 1 bits with the same polarity are likely to be transmitted successively. If the receiving circuits are set to recognize this characteristic, single bit errors can be detected.

The turbo codes and trellis codes are another example of the use of special coding to detect errors. These codes develop unique bit patterns from the data. Since many bit patterns are invalid in trellis and turbo codes, if a bit error occurs, one of the invalid codes will appear, signaling an error that can then be corrected. These codes are covered later in this section.

Parity. One of the most widely used systems of error detection is known as *parity*, in which each character transmitted contains one additional bit, known as a *parity bit*. The bit may be a binary 0 or binary 1, depending upon the number of 1s and 0s in the character itself.

Parity

Two systems of parity are normally used, odd and even. *Odd parity* means that the total number of binary 1 bits in the character, including the parity bit, is odd. *Even parity* means that the number of binary 1 bits in the character, including the parity bit, is even. Examples of odd and even parity are indicated below. The seven left-hand bits are the ASCII character, and the right-hand bit is the parity bit.

Odd parity:	10110011
	00101001
Even parity:	10110010
	00101000

The parity of each character to be transmitted is generated by a parity generator circuit. The parity generator is made up of several levels of exclusive OR (X-OR) circuits, as shown in Fig. 10-50. Normally the parity generator circuit monitors the shift register in a UART in the computer or modem. Just before transmitting the data in the register by shifting it out, the parity generator circuit generates the correct parity value, inserting it as the last bit in the character. In an asynchronous system, the start bit comes

first, followed by the character bits, the parity bit, and finally one or more stop bits (see Fig. 10-51).

Figure 10-50 A parity generator circuit.

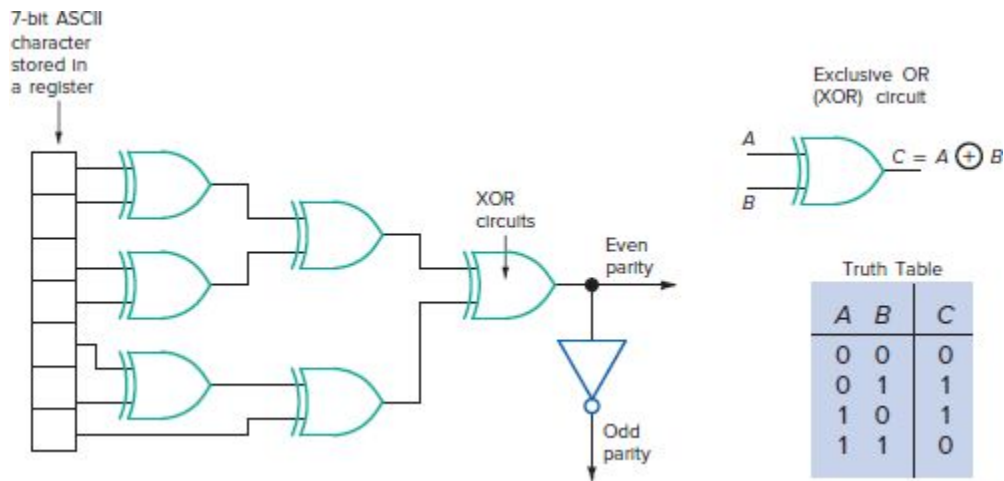
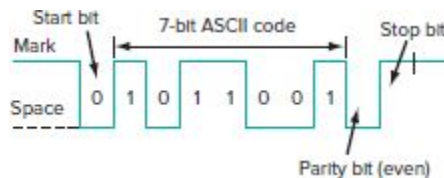


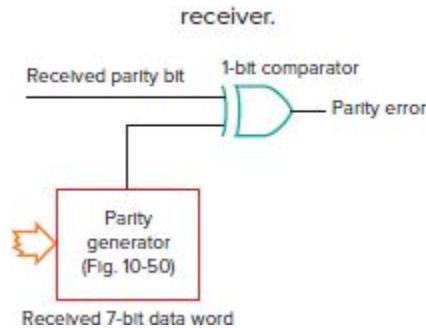
Figure 10-51 How parity is transmitted.



At the receiving modem or computer, the serial data word is transferred into a shift register in a UART. A parity generator in the receiving UART produces the parity on the received character. It is then compared to the received parity bit in an XOR circuit, as shown in Fig. 10-52. If the internally generated bit matches the transmitted and received parity bit, it is assumed that the character was transmitted correctly. The output of the XOR will be 0, indicating no error. If the received bit does not match the parity bit generated from the received data word, the XOR output will be 1, indicating an error. The system signals the detection of a parity error to the computer. The action taken will depend on the result desired: The character may be

retransmitted, an entire block of data may be transmitted, or the error may simply be ignored.

Figure 10-52 Parity checking at the receiver.



The individual-character parity method of error detection is sometimes referred to as the *vertical redundancy check (VRC)*. To display characters transmitted in a data communication system, the bits are written vertically (see Fig. 10-53). The bit at the bottom is the parity, or VRC, bit for each vertical word. Horizontal redundancy checks are discussed later. Keep in mind that parity generation and checking can be done in software.

Vertical redundancy check (VRC)

Figure 10-53 Vertical and horizontal redundancy checks.

Character	D	A	T	A	C	O	M	LRC or BCC (even)
(LSB)	0	1	0	1	0	1	1	1
	0	0	0	0	0	1	1	0
ASCII	1	0	1	0	0	0	1	1
	0	0	0	0	0	0	1	1
Code	0	0	1	0	0	0	0	0
	0	0	0	0	1	0	0	0
(MSB)	1	1	1	1	0	1	1	1
Parity or VRC (odd)	1	1	0	1	0	0	0	1

Parity checking is useful only for detecting single-bit errors. If two or more bit errors occur, the parity circuit may

not detect it. If an even number of bit changes occur, the parity circuit will not give a correct indication.

Cyclical Redundancy Check. The *cyclical redundancy check (CRC)* is a mathematical technique used in synchronous data transmission that effectively catches 99.9 percent or more of transmission errors. The mathematical process implemented by CRC is essentially a division. The entire string of bits in a block of data is considered to be one giant binary number that is divided by some preselected constant. CRC is expressed by the equation

Cyclical redundancy check (CRC)

$$\frac{M(x)}{G(x)} = Q(x) + R(x)$$

where $M(x)$ is the binary block of data, called the *message function*, and $G(x)$ is the generating function. The *generating function* is a special code that is divided into the binary message string. The outcome of the division is a quotient function $Q(x)$ and a remainder function $R(x)$. The quotient resulting from the division is ignored; the remainder is known as the CRC character and is transmitted along with the data.

For convenience of calculation, the message and page 387 generating functions are usually expressed as an algebraic polynomial. For example, assume an 8-bit generating function of 1000101. The bits are numbered such that the LSB is 0 and the MSB is 7.

7	6	5	4	3	2	1	0
1	0	0	0	0	1	0	1

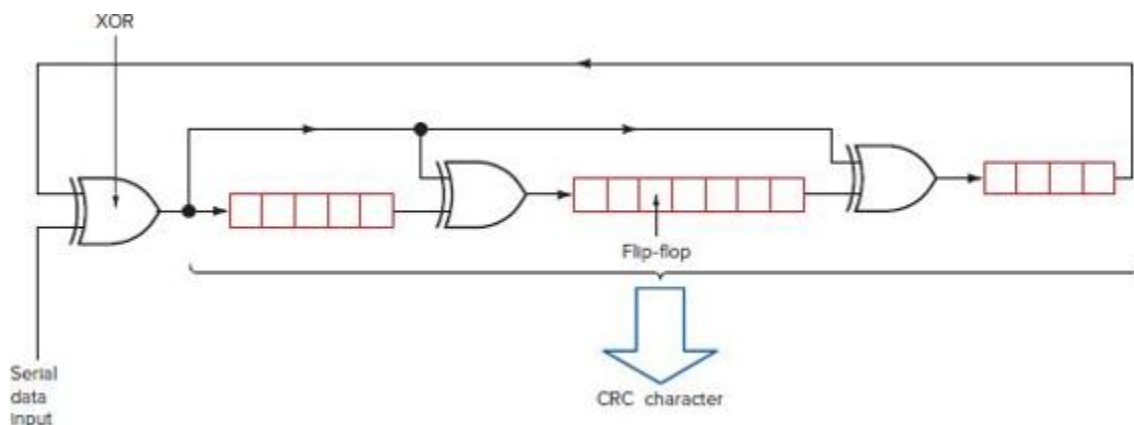
The polynomial is derived by expressing each bit position as a power of x , where the power is the number of the bit position. Only those terms in which binary 1s appear in the

generating function are included in the polynomial. The polynomial resulting from the above number is

$$G(x) = x^7 + x^2 + x^0 \quad \text{or} \quad G(x) = x^7 + x^2 + 1$$

The CRC mathematical process can be programmed by using a computer's instruction set. It can also be computed by a special CRC hardware circuit consisting of several shift registers into which XOR gates have been inserted at specific points (see Fig. 10-54). The data to be checked is fed into the registers serially. There is no output, since no output is retained. The data is simply shifted in 1 bit at a time; when the data has all been transmitted, the contents will be the remainder of the division, or the desired CRC character. Since a total of 16 flip-flops are used in the shift register, the CRC is 16 bits long and can be transmitted as two sequential 8-bit bytes. The CRC is computed as the data is transmitted, and the resulting CRC is appended to the end of the block. Because CRC is used in synchronous data transmission, no start and stop bits are involved.

Figure 10-54 A CRC error detection circuit made with a 16-bit shift register and XOR gates.



At the receiving end, the CRC is computed by the receiving computer and compared to the received CRC characters. If the two are alike, the message has been

correctly received. Any difference indicates an error, which triggers retransmission or some other form of corrective action. CRC is probably the most widely used error detection scheme in synchronous systems. Both 16- and 32-bit CRCs are used. Parity methods are used primarily in asynchronous systems.

Error Correction

As stated previously, the easiest way to correct transmission errors — to retransmit any character or block of data that has an error in it — is time-consuming and wasteful. A number of efficient error correction schemes have been devised to complement the parity and BCC methods described above. The process of detecting and correcting errors at the receiver so that retransmission is not necessary is called *forward error correction (FEC)*. There are two basic types of FEC: block codes and convolutional codes.

Forward error correction (FEC)

page 388

Block-Check Character. The block-check character is also known as a *horizontal* or *longitudinal redundancy check (LRC)*. It is the process of logically adding, by exclusive-ORing, all the characters in a specific block of transmitted data. Refer to Fig. 10-53. To add the characters, the top bit of the first vertical word is exclusive-ORed with the top bit of the second word. The result of this operation is exclusive-ORed with the top bit of the third word, and so on until all the bits in a particular horizontal row have been added. There are no carries to the next bit position. The final bit value for each horizontal row then becomes one bit in a character known as the *block-check character (BCC)*, or the *block-check sequence (BCS)*. Each row of bits is done in the same way to produce the BCC. All the characters

transmitted in the text, as well as any control or other characters, are included as part of the BCC. Exclusive-ORing all bits of all characters is the same as binary addition without a carry of the codes.

Longitudinal redundancy check (LRC)

Block-check character (BCC)

Block-check sequence (BCS)

The BCC is computed by circuits in the computer or modem as the data is transmitted, and its length is usually limited to 8 bits, so that carries from one bit position to the next are ignored. It is appended to the end of a series of bytes that make up the message to be transmitted. At the receiving end, the computer computes its own version of the BCC on the received data and compares it to the received BCC. Again, the two should be the same.

When both the parity on each character and the BCC are known, the exact location of a faulty bit can be determined. The individual character parity bits and the BCC bits provide a form of coordinate system that allows a particular bit error in one character to be identified. Once it is identified, the bit is simply complemented to correct it. The VRC identifies the character containing the bit error, and the LRC identifies the bit that contains the error.

Assume, e.g., that a bit error occurs in the fourth page 389 vertical character from the left in Fig. 10-53. The fourth bit down from the top should be 0, but because of noise, it is received as a 1. This causes a parity error. With odd parity and a 1 in the fourth bit, the parity bit should be 0, but it is a 1.

Next, the logical sum of the bits in the fourth horizontal row from the top will be incorrect because of the bit error. Instead of 0, it will be 1. All the other bits in the BCC will be correct. It is now possible to pinpoint the location of the error because both the vertical column where the parity

error occurred and the horizontal row where the BCC error occurred are known. The error can be corrected by simply complementing (inverting) the bit from 1 to 0. This operation can be programmed in software or implemented in hardware. One important characteristic of BCC is that multiple errors may not be detected. Therefore, more sophisticated techniques are needed.

Hamming Code. A popular FEC is the Hamming code. Hamming was a researcher at Bell Labs who discovered that if extra bits were added to a transmitted word, these extra bits could be processed in such a way that bit errors could be identified and corrected. These extra bits, like several types of parity bits, are known as *Hamming bits*, and together they form a *Hamming code*. To determine exactly where the error is, a sufficient number of bits must be added. The minimum number of Hamming bits is computed with the expression

Hamming bits

Hamming code

$$2^n \geq m + n + 1$$

where m = number of bits in data word

n = number of bits in Hamming code

Assume, e.g., an 8-bit character word and some smaller number of Hamming bits (say, 2). Then

$$2^n \geq m + n + 1$$

$$2^2 \geq 8 + 2 + 1$$

$$4 \geq 11$$

Two Hamming bits are insufficient, and so are three. When $n = 4$,

$$2^4 \geq 8 + 4 + 1$$

Thus 4 Hamming bits must be transmitted along with the 8-bit character. Each character requires $8 + 4 = 12$ bits. These Hamming bits can be placed anywhere within the data string. Assume the placement shown below, where the data bits are shown as a 0 or 1 and the Hamming bits are designated with an H. The data word is 01101010.

12	11	10	9	8	7	6	5	4	3	2	1
H	0	1	H	1	0	H	1	0	H	1	0

One way to look at Hamming codes is simply as a more sophisticated parity system, where the Hamming bits are parity bits derived from some of but not all the data bits. Each Hamming bit is derived from different groups of the data bits. (Recall that parity bits are derived from the data by XOR circuits.) One technique used to determine the Hamming bits is discussed below.

At the transmitter, a circuit is used to determine the Hamming bits. This is done by first expressing the bit positions in the data word containing binary 1s as a 4-bit binary number ($n = 4$ is the number of Hamming bits). For example, the first binary 1 data bit appears at position 2, so its position code is just the binary code for 2, or 0010. The other data bit positions with a binary 1 are $5 = 0101$, $8 = 1000$, and $10 = 1010$.

Next, the transmitter circuitry logically adds (XORs) these codes.

Position code 2	0010	
Position code 5	<u>0101</u>	
XOR sum	0111	
Position code 8	<u>1000</u>	
XOR sum	1111	
Position code 10	<u>1010</u>	
XOR sum	0101	

This final sum is the Hamming code bits from left to right. Position code 12 is 0, position code 9 is 1, position code 6 is 0, and position code 3 is 1. These bits are interested in their proper position. The complete 12-bit transmitted word is

12	11	10	9	8	7	6	5	4	3	2	1
H	0	1	H	1	0	H	1	0	H	1	0
12	11	10	9	8	7	6	5	4	3	2	1
0	0	1	1	1	0	0	1	0	1	1	0

The Hamming bits are shown in boldface type.

Now assume that an error occurs in bit position 10. The binary 1 is received as a binary 0. The received word is

12	11	10	9	8	7	6	5	4	3	2	1
0	0	1	1	1	0	0	1	0	1	1	0

The receiver recognizes the Hamming bits and treats them as a code word, in this case 0101. The circuitry then adds (XORs) this code with the bit number of each position in the word containing a binary 1, positions 2, 5, and 8.

The Hamming code is then added to the binary page 390 numbers representing each position with a 1.

Hamming code	0101
Position code 2	0010
XOR sum	0111
Position code 5	0101
XOR sum	0010
Position code 8	1000
XOR sum	1010

This final sum is a code that identifies the bit position of the error, in this case bit 10 (1010). To correct the bit, it is simply complemented from 0 to 1. If there are no bits in error, then the XOR sum at the receiver will be zero.

Note that the Hamming code method does not work if an error occurs in one of the Hamming bits itself.

For the Hamming code method of error detection and correction to work when 2 or more bit errors occur, more Hamming bits must be added. This increases overall transmission time, storage requirements at the transmitter and receiver, and the complexity of the circuitry. The benefit, of course, is that errors are reliably detected at the sending end. The transmitter never has to resend the data, which may in fact be impossible in some applications. Not all applications require such rigid data correction practices.

Reed Solomon Code. One of the most widely used forward error correction codes is the *Reed Solomon (RS) code*. Like Hamming codes, it adds extra parity bits to the block of data being transmitted. It uses a complex mathematical algorithm beyond the scope of this book to determine the codes. The beauty of the RS code is that it permits multiple errors to be detected and corrected. For example, a popular form of the RS code is designated RS (255,223). A block of binary data contains a total of 255 bytes; 223 bytes is the actual data and 32 bytes is parity bits computed by the RS algorithm. With this arrangement, the RS code can detect and correct errors in up to 16 corrupted bytes. An RS encoder is used on the data to be transmitted. At the receiver, the recovered data is sent to an RS decoder that corrects any errors. The encoders and decoders can be implemented with software, but hardware ICs are also available. Some common applications of the RS FEC are in music and data compact disks (CDs), cell phones, digital TV, satellite communication, and xDSL and cable TV modems.

Reed Solomon (RS) code

Interleaving. Interleaving is a method used in wireless systems to reduce the effects of burst errors. Most errors in wireless transmission are caused by bursts of noise that destroy a single bit or multiple sequential bits. If we take the

bits and interleave them, we have a better chance of recognizing and recovering the lost bits.

One common way of doing this is to first use an error-correcting scheme such as the Hamming code to encode the data. The data and the Hamming bits are then stored in consecutive memory locations. For example, assume four 8-bit words consisting of the data and the Hamming bits. The data words if transmitted sequentially would look like this.

12345678 12345678 12345678 12345678

Then instead of transmitting the encoded words one at a time, all the first bits of each word are transmitted, followed by all the second bits, followed by all the third bits, and so on. The result would look like this.

1111 2222 3333 4444 5555 6666 7777 8888

Now if a burst error occurs, the result may look like this.

1111 2222 3333 4444 5555 4218 7777 8888

At the receiver, the de-interleaving circuits would page 391 attempt to re-create the original data, producing

12345478 12345278 12345178 12345878

Now with only 1 bit in each word in error, a Hamming decoder would detect and correct the bit.

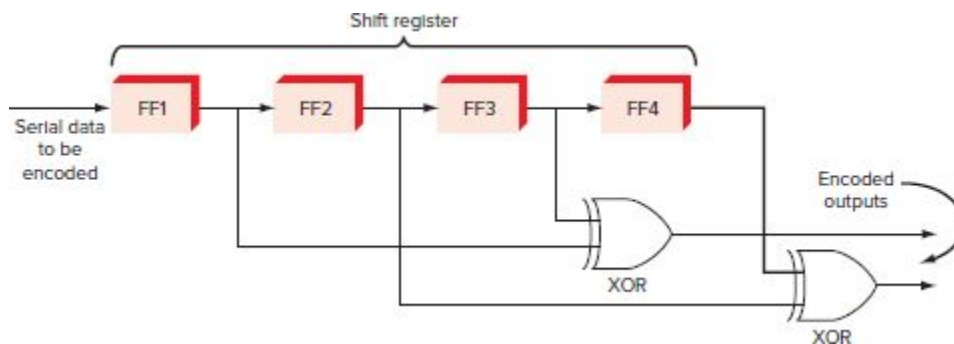
Convolutional Codes

Convolutional encoding creates additional bits from the data as do Hamming and Reed Solomon codes, but the encoded output is a function of not only the current data bits but also previously occurring data bits. Like other forms of FEC, the encoding process adds extra bits that are derived from the

data itself. This is a form of redundancy that leads to greater reliability in the transmission of the data. Even if errors occur, the redundant bits allow the errors to be corrected.

Convolutional codes are beyond the scope of this text, but essentially what they do is to pass the data to be transmitted through a special shift register like that shown in Fig. 10-55. As the serial data is shifted through the shift register flip-flops, some of the flip-flop outputs are XORed together to form two outputs. These two outputs are the convolutional code, and this is what is transmitted. There are numerous variations of this scheme, but note in every case the original data itself is not transmitted. Instead, two separate streams of continuously encoded data are sent. Since each output code is different, the original data can more likely be recovered at the receiver by an inverse process. One of the more popular convolutional codes is the trellis code. The Viterbi code is another that is widely used in high-speed data access via satellites.

Figure 10-55 Convolutional encoding uses a shift register with exclusive-OR gates to create the output.



Another type of convolutional code uses feedback. These are called recursive codes because the output of the shift register is combined with the input code to produce the output streams. Fig. 10-56 is an example. Recursion means taking the output from a process and applying it back to the input. This procedure has been further developed to create

a new class of convolutional codes called turbo codes. The turbo code is a combination of two concurrent recursive coding processes where one is derived directly from the data and the other is derived from the data that has been interleaved first. See Fig. 10-57. The result is a far more robust FEC that catches virtually all errors. Most forms of wireless data transmission today use some form of convolutional coding to ensure the robustness of the transmission path.

Figure 10-56 A convolutional encoder using recursion.

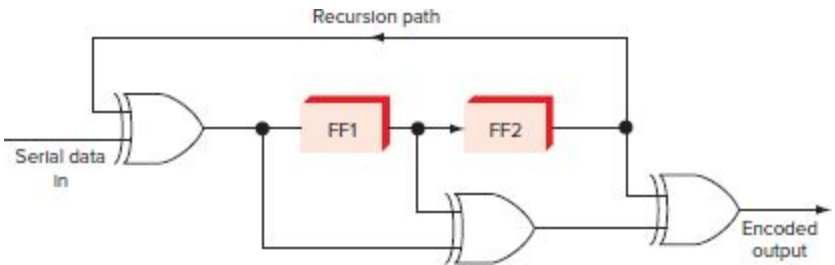
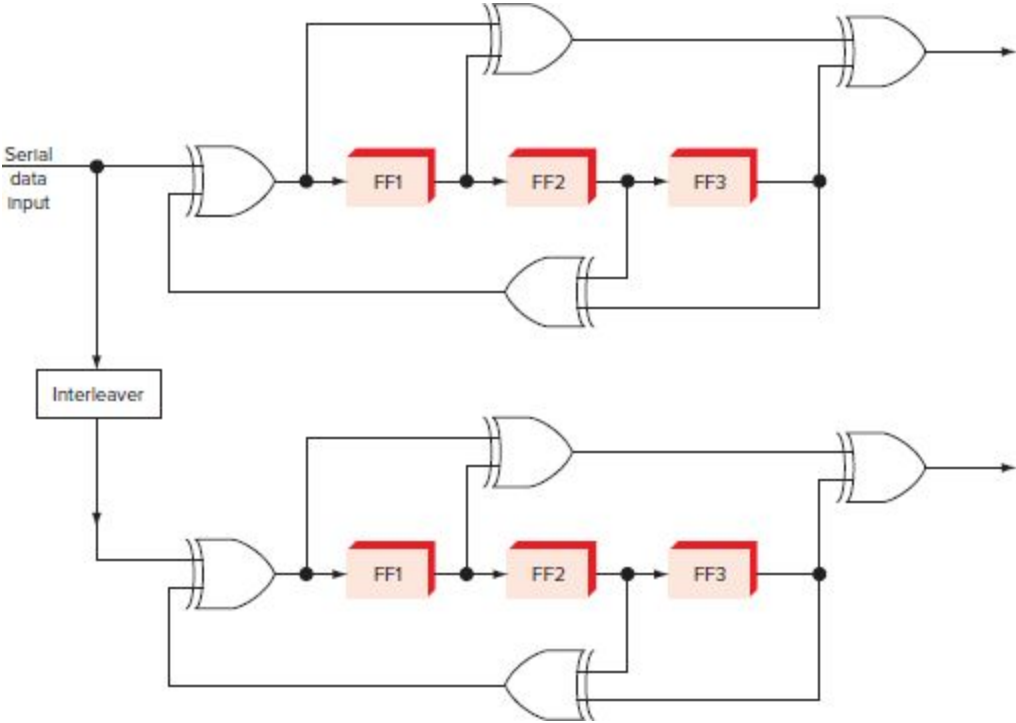


Figure 10-57 One form of turbo encoding.



Low-Density Parity Check

Low-density parity check (LDPC) is an error-correcting code scheme that was invented by R. G. Gallager at MIT in the 1960s but was not widely implemented because of its complex parallel computational process. It was impractical to implement except on large-scale computers. However, LDPC was recently rediscovered and today is readily implemented with logic in an FPGA or a fast processor. With LDPC it is possible to create codes that can reduce the probability of an error to as small as possible and stay within the bounds of Shannon's limit.

CODING GAIN

Forward error-correction codes were developed to improve the BER in noisy communications channels. By exposing a block of data to be transmitted to a coding process, additional bits are added that permit errors to occur but provide a means of identifying and correcting the errors, thereby greatly improving the probability of an error-free transmission. Such coding has the same effect as improving the signal-to-noise ratio (SNR) of the transmission channel. The effect is the same as if the transmit power was increased. This effect is called coding gain and is usually expressed in dB. One formal definition of coding gain is the power increase needed to maintain the same BER as that achieved without coding. Or coding gain is the gain in SNR for a given BER using a specific coding method before modulation. Coding gains of several dB are possible with FEC.

As with many other FEC codes, the encoding and page 393 decoding processes are beyond the scope of this book. Just be aware that LDPC is replacing other popular FEC codes in a variety of communications systems. These include Wi-Fi in the IEEE 802.11n, 802.11ac and 802.11ax standards, 10-gigabit Ethernet over twisted-pair cable, G.hn power line communications standard, the European digital TV standard DVB-T2, WiMAX 802.16e, and several satellite systems and in the new US ultra high definition TV standard ATSC-3.0.

Transmission Improvements Techniques

Transmitting data over long distances, wired or wireless, introduces losses, signal distortions, and noise. These negative effects can generally be compensated for by adding gain and noise mitigation methods. A major problem is the signal distortion that can lead to bit errors. Some of these bit errors arise from what we call inter-symbol interference (ISI). The symbols may be just binary voltage levels, but these can be the cause of bit errors. For example, a long transmission line acts as a low-pass filter that rounds off the signal shape producing longer rise and fall times. This causes the signal from one bit position to merge with adjacent bits. This confuses the receiver in distinguishing binary 1s and 0s, thus bit errors occur.

Another condition that introduces bit errors is the transmission of long strings of binary 1s or 0s. The receiver gets confused about bit timing and that is also an interval where noise can introduce an error. Two techniques to minimize these problems are scrambling and equalization.

Scrambling. Also known as interleaving, scrambling is the process of passing the data stream through a digital circuit that randomizes it so that long sequences of 1s and 0s do not occur. An interleaver may be a digital circuit or a program in a microcontroller at the transmitter. The interleaving process typically occurs after any FEC operations and before the final transmission. A variety of interleaving algorithms has been developed for this purpose. Of course, a matching de-interleaver or descrambler must exist at the receiver to recover the original data.

Equalization. Equalization is a process of compensating for the distortion that occurs along a transmission path. If the effect that occurs to distort the signal can be predicted or even estimated, the transmitted signal can then be shaped or otherwise modified before it is transmitted so that the communication medium transforms the signal into a more accurate replica of the original signal.

Equalizers can be analog or digital. An analog equalizer may be a filter that counteracts the filtering effect of the transmission medium. Another example is the preemphasis and deemphasis techniques that are used in FM radio. Refer back to Chap. 5. Since noise tends to deteriorate the higher audio frequencies more than the lower frequencies, the audio is passed through a kind of high-pass filter to boost the amplitude of the higher frequencies before transmission. At the receiver, a matching low-pass filter reduces the signal to the original level. Similar techniques can be used in both wired and wireless equipment.

More sophisticated equalizers digitize the transmitted signal, then subject that digital equivalent signal to digital processing that shapes the transmitted signal so that it overcomes the path distortion. The signal at the receiver is essentially normal without the distortion. Because we have high-speed ADCs and DACs as well as fast DSPs, special adaptive equalizers can be built. They perform channel estimation and can adapt their algorithms to provide the necessary equalization even if the path changes.

10-8 Protocols

Protocols are rules and procedures used to ensure compatibility between the sender and the receiver of serial digital data regardless of the hardware and software being used. They are used to identify the start and end of a message, identify the sender and the receiver, state the

number of bytes to be transmitted, state a method of error detection, and for other functions. Various protocols, and various levels of protocols, are used in data communication. Both asynchronous and synchronous protocols are available.

Protocol

Asynchronous Protocols

The simplest protocol is the asynchronous transmission of data using a start bit and a stop bit (refer to Fig. 10-6) framing a single character, with a parity bit between the character bit and the stop bit. The parity bit is part of the protocol, but may or may not be used. In data communication, however, a message is more than one character. As discussed previously, it is composed of blocks, groups of letters of the alphabet, numbers, punctuation marks, and other symbols in the desired sequence. In synchronous data communication applications, the block is the basic transmission unit.

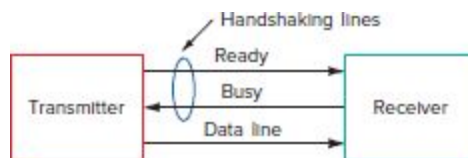
To identify a block, one or more special characters are transmitted prior to the block and after the block. These additional characters, which are usually represented by 7- or 8-bit codes, perform a number of functions. Like the start and stop bits on a character, they signal the beginning and end of the transmission. But they are also used to identify a specific block of data, and they provide a means for error checking and detection.

Some of the characters at the beginning and end of each block are used for handshaking purposes. These characters give the transmitter and receiver status information. Fig. 10-58 illustrates the basic *handshaking* process. For example, a transmitter may send a character indicating that it is ready to send data to a receiver. Once the receiver has identified that character, it responds by indicating its status, e.g., by sending a character representing “busy” back to the

transmitter. The transmitter will continue to send its ready signal until the receiver signals back that it is not busy, or is ready to receive.

Handshaking

Figure 10-58 The handshaking process in data communication.



At that point, data transmission takes place. Once the transmission is complete, some additional handshaking takes place. The receiver acknowledges that it has received the information. The transmitter then sends a character indicating that the transmission is complete, which is usually acknowledged by the receiver. Take a look at the many control and status codes at the bottom of the ASCII code table in Fig. 10-2.

An example of the use of such control characters is the XON and XOFF protocol used between a computer and some other device. XON is usually the ASCII character DC1, and XOFF is the ASCII character DC3. A device that is ready and able to receive data will send XON to the computer. If the device is not able to receive data, it sends XOFF. When the computer detects XOFF, it immediately stops sending data until XON is again received.

One protocol used for asynchronous ASCII-coded data between computers and other devices is Xmodem. This protocol is no longer widely used, but an example illustrates the process.

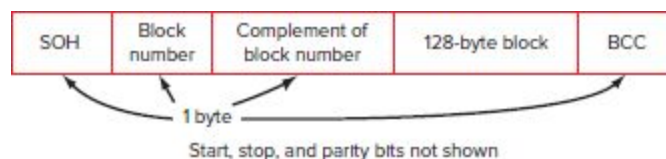
In *Xmodem*, the data transmission procedure begins with the receiving computer transmitting a negative acknowledge (NAK) character to the transmitter. NAK is a 7-bit ASCII character that is transmitted serially back to the

transmitter every 10 s until the transmitter recognizes it. Once the transmitter recognizes the NAK character, it begins sending a 128-byte block of data, known as a *frame* (packet) of information (see Fig. 10-59). The frame begins with a *start-of-header (SOH) character*, which is another ASCII character meaning that the transmission is beginning. This is followed by a header, which usually consists of two or more characters preceding the actual data block, which give auxiliary information. In Xmodem, the header consists of 2 bytes designating the block number. In most messages, several blocks of data are transmitted and each is numbered sequentially. The first byte is the block number in binary code. The second byte is the complement of the block number; i.e., all bits have been inverted. Then the 128-byte block is transmitted. At the end of the block, the transmitting computer sends a check-sum byte, which is the BCC, or binary sum of all the binary information sent in the block. (Keep in mind that each character is sent along with its start and stop bits, since Xmodem is an asynchronous protocol.)

Xmodem protocol

Frame

Figure 10-59 Xmodem protocol frame.



The receiving computer looks at the block data and also computes the check sum. If the check sum of the received block is the same as that transmitted, it is assumed that the block was received correctly. If the block was received correctly, the receiving computer sends an *acknowledge (ACK) character* — another ASCII code — back to the

transmitter. Once ACK is received by the transmitter, the next block of data is sent. When a block has been received incorrectly because of interference or equipment problems, the check sums will not match and the receiving computer will send a NAK code back to the transmitter. A transmitter that has received NAK automatically responds by sending the block again. This process is repeated until each block, and the entire message, has been sent without errors.

Acknowledge (ACK) character

When the entire message has been sent, the transmitting computer sends an *end-of-transmission (EOT) character*. The receiving computer replies with an ACK character, terminating the communication.

End-of-transmission (EOT) character

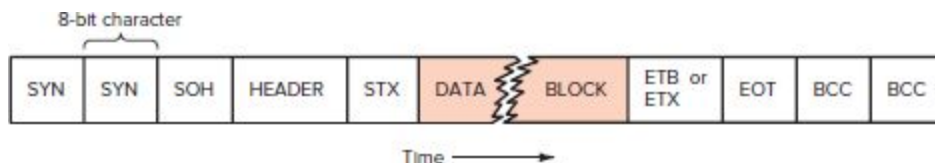
Synchronous Protocols

Protocols used for synchronous data communication are more complex than asynchronous protocols. However, like the asynchronous protocols, they use various control characters for signaling purposes at the beginning and ending of the block of data to be transmitted. The following synchronous protocols are no longer widely used but illustrate the format and procedures involved. Newer protocols have a similar format and purpose. Learning from these examples will help you understand other protocols discussed in later chapters.

Bisync. An early synchronous protocol is IBM's *Bisync protocol*. It usually begins with the transmission of two or more ASCII sync (SYN) characters (see Fig. 10-60). These characters signal the beginning of the transmission and are also used to initialize the clock timing circuits in the receiving modem. This ensures proper synchronization of the data transmitted a bit at a time.

Bisync protocol

Figure 10-60 Bisync synchronous protocol.



GOOD TO KNOW

The text refers to the protocol as a block of bits. You will also hear this sequence of bits called a frame or packet. The frame is divided into segments called fields. Data are usually sent in a sequence of frames or packets. These terms are used interchangeably in this book.

After the SYNC characters, a *start-of-header (SOH) character* is transmitted. The header is a group of characters that typically identifies the type of message to be sent, the number of characters in a block (usually up to 256), and a priority code or some specific routing destination. The end of the header is signaled by a *start-of-text (STX) character*. At this point, the desired message is transmitted, 1 byte at a time. No start and stop bits are sent. The 7- or 8-bit words are simply strung together one after another, and the receiver must sort them into individual binary words that are handled on a parallel basis farther along on the receiving circuit in the computer.

Start-of-header (SOH) character

Start-of-text (STX) character

At the end of a block, an *end-of-transmission-block (ETB) character* is transmitted. If the block is the last one in a complete message, an end-of-text (ETX) character is transmitted. An *end-of-transmission (EOT) character*, which signals the end of the transmission, is

followed by an error detection code, usually a 1- or 2-byte BCC.

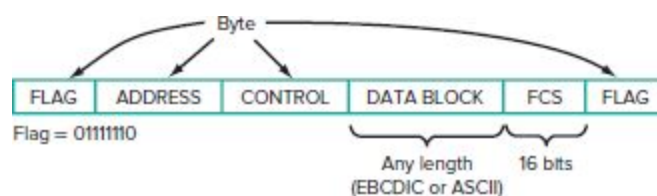
End-of-transmission-block (ETB) character

End-of-transmission (EOT) character

SDLC. One of the most flexible and widely used synchronous protocols is the *synchronous data link control (SDLC) protocol* (see Fig. 10-61). SDLC is used in networks that are interconnections of multiple computers. All frames begin and end with a flag byte with the code 01111110 or hex 7E, which is recognized by the receiving computer. A sequence of binary 1s starts the clock synchronous process. Next comes an address byte that specifies a specific receiving station. Each station on the network is assigned an address number. The address hex FF indicates that the message to follow is to be sent to all stations on the network.

Synchronous data link control (SDLC) protocol

Figure 10-61 The SDLC and HDLC frame formats.



A control byte following the address allows the programmer or user to specify how the data will be sent and how it will be dealt with at the receiving end. It allows the user to specify the number of frames, how the data will be received, and so on.

The data block (all codes are EBCDIC, not ASCII) comes next. It can be any length, but 256 bytes is typical. The data is followed by a frame-check sequence (FCS), a 16-bit CRC. A flag ends the frame.

A variation of the SDLC system, which permits interface between a larger number of different software and hardware configurations, is called *high-level data link control (HDLC)*. Its format is similar to that shown in Fig. 10-61. It may also use ASCII data and often has a 32-bit CRC/FCS.

High-level data link control (HDLC) protocol

Review of Key Concepts

This is a long chapter with many details about transmitting digital data. The theories and techniques presented are tied together and affect each other in some way. Because of the importance of this chapter content, this summary has been added to ensure that you understand all the concepts and their relationships. Don't hesitate to reread parts of the chapter that are not clear to you. And ask for help if you need it.

1. Data is transmitted by cable or radio using a variety of codes. These are binary codes that can represent any form of data but can also be digitized voice, video, sensor readings, or inventory records.
2. Binary data is the most common, but numbers, alphabetic characters, and control codes represented by ASCII code are also widely used.
3. Virtually all data transmissions are serial, one page 397
bit at a time.
4. The data rate (R) is expressed as the reciprocal of the time for 1 bit t . $R = 1/t$. The rate is stated in bits per second (bps), kbps, Mbps, or Gbps.
5. While most data transmission is binary with two voltage levels, other formats are used. Examples are multiple voltage levels, frequencies, or phase shifts, also called symbols. Symbols can represent more than 1 bit, which means they can transmit more bits per time interval.

- 6.** Before being transmitted, the binary data is usually coded or formatted for the purpose of matching it to the transmission medium such as a coax cable or wireless path. Most binary data is transmitted in NRZ format, but a half dozen more line codes with multiple levels and shapes have been developed to help facilitate the transmission.
- 7.** High-speed transmission is preferred since it delivers the data more quickly. The data rate or channel capacity (C) as it is called is determined by the bandwidth (B) of the medium. $C = 2B$. The bandwidth is usually set by a channel width assignment in the electromagnetic spectrum or the filtering effect of a cable.
- 8.** Another factor that affects C is the signal-to-noise (S/N) ratio. Noise is random variations of voltage from a wide variety of sources. The noise can obliterate a signal completely. If it does not, then it does have the effect of limiting how fast data can pass through the available bandwidth. Hartley's law states that: $C = B \log_2(1 + S/N)$ where the S/N is a power ratio.
- 9.** Higher data rates can be achieved in a given bandwidth by using multiple (more than 2) symbols per bit time. The data rate C is then determined by the expression $C = 2B \log_2 N$, where N is the number of symbols used.
- 10.** Again, it is the signal-to-noise ratio that greatly impacts the speed achievable. A high S/N permits high data rates. Low S/N ratio greatly limits the data rate. A stronger transmitted signal boosts S/N , allowing a higher data rate.
- 11.** The efficiency of a data link is generally determined by bit error rate. BER is a number that determines the number of bit errors that occur in 1s. It is usually low with values between 10^{-5} and 10^{-11} . BER is a measure of the accuracy of the transmission. High BER calls for lower data rate to reduce errors.

- 12.** Bit errors can be corrected by adding special bits to a serial data stream. These bits help locate the bit errors and correct them with special forward error correction or FEC circuits or programs. This ability to fix errors on the fly permits a higher data rate. The effect is equivalent to boosting transmit power. It is called coding gain. For example, assume that a signal using BPSK modulation with Additive white Gaussian noise (AWGN) added produces a BER of 10^{-3} with an S/N of 7 dB. Then consider the signal to be coded with a Reed-Solomon code and the BER remains 10^{-3} but with an S/N of 4 dB. The coding gain is 7 dB - 4 dB = 3 dB. A 3-dB gain is the equivalent of a doubling of transmit power, which means the signal could carry farther with better reliability.
- 13.** Another way to express the relationship between the signal and noise is to use the ratio of the average signal power of the carrier to the noise (thermal) power. This is the carrier-to-noise (C/N) ratio.
- 14.** Signal-to-noise ratio can also be described by the expression E_b/N_0 , where E_b is the energy per bit and N_0 is the noise power density. E_b/N_0 can be expressed as:

$$E_b/N_0 = (C/N)(B/f_b)$$

Here B is bandwidth in Hz and f_b is the signal bit rate. E_b/N_0 is used with BER to compare the performance of different modulation techniques.

- 15.** The modulation method is a major determining page 398 factor in the amount of data rate that can be achieved in a given bandwidth. Multi-symbol and wideband methods produce the best results. The multilevel QAM and wideband OFDM offer the best spectral efficiency expressed in terms of bits/sec/Hz.

- 16.** Spectral efficiency is computed by dividing the net throughput in bits per second by the bandwidth in Hz. If the bit rate through a 20-MHz channel is 680 Mb/s, the spectral efficiency is $680 \text{ Mb/s}/20 = 34$. Currently LTE and LTE-Advanced cellular 4G systems produce spectral efficiencies in the 15 to 30 range. Other methods such as multiple input multiple output (MIMO) to be discussed later in the text can also improve spectral efficiency.

CHAPTER REVIEW

Online Activity

10-1 Spectral Efficiency

Objective: To compare the spectral efficiencies of various digital modulations.

Procedure:

1. Search on the term *spectral efficiency* or *modulation comparisons* or a similar term.
2. Answer the questions below.

Questions:

1. Which modulation has the greatest spectral efficiency?
2. What is the second most efficient modulation method?
3. What role does noise play in comparing modulation methods?
4. What types of modulation are best in noisy environments?
5. What types of circuits are used to produce most high-level modulations?

Questions

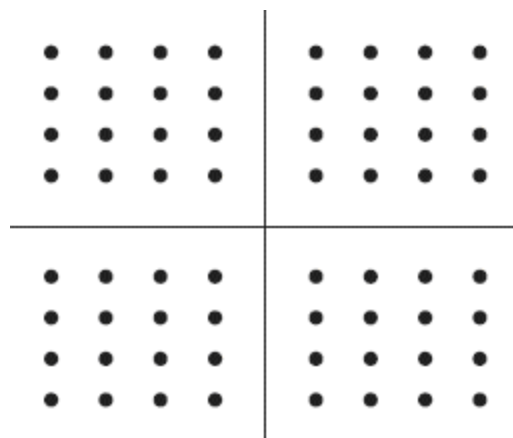
- 1.** Name the earliest form of binary data communication.
- 2.** What do you call dot-dash code transmission by radio?
- 3.** How do you distinguish between uppercase and lowercase letters in Morse code?
- 4.** What is Morse code for the characters C, 7, and ??
- 5.** How many bits are in a byte?
- 6.** Name the two ways in which bits are transmitted from one place to another.
- 7.** What is the most widely used binary data code that uses 7 bits to represent characters?
- 8.** What ASCII character is transmitted to ring a bell?
- 9.** For a given data path length, which is faster, serial or parallel transmission?
- 10.** What is used to signal the beginning and end of the transmission of a character in asynchronous transmissions?
- 11.** What is the name given to the number of symbols occurring per second in a data transmission?
- 12.** How can there be more than 1 bit per baud in data transmissions?
- 13.** How many bits per baud (symbol) can be transmitted by a four-level FSK signal?
- 14.** Which is faster, asynchronous transmission or synchronous transmission? Explain.
- 15.** How is a message sent using synchronous data transmission?
- 16.** In serial data transmission, what are the special names given to a binary 0 and a binary 1?
- 17.** What encoding method is used in most standard digital logic signals?
- 18.** What occurrence in serial data transmission makes it difficult to detect the clock rate when NRZ is used?

- 19.** What two encoding methods are best for clock recovery?
- 20.** What is a benefit of the RZ-AMI method of encoding?
- 21.** Give two names for the encoding system that makes use of a transition at the center of each bit.
- 22.** Explain how GMSK permits higher data rates in a smaller bandwidth.
- 23.** What two factors does the amount of information that can be sent in a given transmission depend on?
- 24.** True or false? Multilevel or multisymbol binary encoding schemes permit more data to be transmitted in less time, assuming a constant symbol interval.
- 25.** For a given bandwidth system, what is the advantage of using a multisymbol encoding scheme?
- 26.** Name the major components and circuits of a modem.
- 27.** What is the function of a modem?

- 28.** What is the maximum download speed of a page 399 VDSL2 modem?
- 29.** What kind of modulation is used on an ADSL modem? What is the maximum download speed?
- 30.** What factor determines the maximum speed of an ADSL or VDSL modem?
- 31.** Why is a scrambler needed in a modem?
- 32.** What is DOCSIS?
- 33.** What is the bandwidth of a cable TV data channel?
- 34.** What kind of modulation is used for downloads and uploads in cable TV, and what are the maximum theoretical data rates?
- 35.** What basic circuit is used to produce BPSK?
- 36.** What circuit is used to demodulate BPSK?
- 37.** What circuit is used to generate the carrier to be used in demodulating a BPSK signal?
- 38.** What type of PSK does not require a carrier recovery circuit for demodulation?
- 39.** Name the key circuit used in a DPSK modulator.

40. How many different phase shifts are used in QPSK?
41. In QPSK, how many bits are represented by each phase shift?
42. How many bits are represented by each phase shift in 16-PSK?
43. Is carrier recovery required in a QPSK demodulator?
44. When QPSK is used, is the bit rate faster than the baud (symbol) rate?
45. What circuit is used to create a dibit in a QPSK modulator?
46. What do you call a circuit that converts a 2-bit binary code into one of four dc voltage levels?
47. QAM is a combination of what two types of modulation?
48. Name the modulation method used with U.S. ATSC high-definition TV.
49. What is trellis code modulation? Why is it used?
50. How many bits per baud are transmitted with 256-QAM?
51. What type of modulation is illustrated by the constellation diagram in Fig. 10-62?

Figure 10-62 Illustration for question 51.



52. State the modulation method used in the DOCSIS 3.1 standard.

- 53.** What is spread spectrum?
- 54.** Name the two main types of spread spectrum.
- 55.** What circuit generates the transmitter frequency in a frequency-hopping SS system?
- 56.** In a frequency-hopping SS system, what circuit selects the frequency produced by the synthesizer?
- 57.** True or false? The hop rate is slower than the bit rate of the digital data.
- 58.** How does an SS signal appear to a narrowband receiver?
- 59.** How are two or more stations using spread spectrum and sharing a common band identified and distinguished from one another?
- 60.** What do you call the length of time that a frequency-hopping SS transmitter stays on one frequency?
- 61.** What circuit is used to generate a PSN signal?
- 62.** What is the purpose of a PSN signal?
- 63.** In a direct-sequence SS transmitter, the data signal is mixed with a PSN signal in what kind of circuit?
- 64.** True or false? In a direct-sequence SS system, the chip rate is faster than the data rate.
- 65.** What type of modulation is used with direct-sequence SS?
- 66.** What is the most difficult part of spread spectrum communication?
- 67.** What do you call the process of comparing one signal to another in an effort to obtain a match?
- 68.** Name the two main benefits of spread spectrum.
- 69.** How is OFDM generated and demodulated?
- 70.** Name four applications of OFDM.
- 71.** Name the most common application for spread spectrum.
- 72.** How are voice signals transmitted via spread spectrum?
- 73.** What is another name for direct-sequence SS?
- 74.** List two methods of error detection.

- 75.** Name one simple but time-consuming way to ensure an error-free transmission.
- 76.** What is the most common cause of error in data transmission?
- 77.** What is the name given to the ratio of the number of bit errors to the total number of bits transmitted?
- 78.** What serial bit encoding method makes it possible to detect single-bit errors?
- 79.** What is the bit added to a transmitted character to help indicate an error called?
- 80.** What is the name of a number added to the end of a data block to assist in detecting errors, and how is it derived?
- 81.** What is another name for parity?
- 82.** What logic circuit is the basic building block of a parity generator circuit?
- 83.** What error detection system uses a BCC at the end of a data block?
- 84.** Describe the process of generating a CRC.
- 85.** What basic circuit generates a CRC?
- 86.** True or false? If a bit error can be identified, it page 400 can be corrected.
- 87.** Describe the procedure for checking the accuracy of a block transmission at the receiver using a CRC.
- 88.** What is the name of the most popular error-correcting code?
- 89.** What will be the outcome of X-ORing Hamming bits if no error occurs in the data word during transmission?
- 90.** Name three types of convolutional codes.
- 91.** What is the name given to the rules and procedures that describe how data will be transmitted and received?
- 92.** What is the process of exchanging signals between transmitter and receiver to indicate status or availability?

93. What control characters are used with asynchronous protocols?
94. Name two techniques that can reduce BER and improve signal quality at the receiver.
95. What is usually in the last field of a protocol frame?
96. What is the string of characters making up a message or part of a message to be transmitted called?
97. What do synchronous protocols usually begin with? Why?
98. Name two common synchronous protocols.
99. What appears at the very end of most protocol packets?
100. What does interoperability mean?
101. Name one way to achieve interoperability.

Problems

1. What is the name of the 8-bit character code used in many serial interfaces? ◆
2. A serial pulse train has a $70\text{-}\mu\text{s}$ bit time. What is the data rate in bits per second?
3. The data rate of a serial bit stream is 14,400 bps. What is the bit interval? ◆
4. The speed of a serial data transmission is 2.5 Mbps. What is the actual number of bits that occur in 1 s?
5. What is the channel capacity, in bits per second, of a 30-kHz-bandwidth binary system, assuming no noise? ◆
6. If an eight-level encoding scheme is used in a 30-kHz-bandwidth system, what is the channel capacity in bits per second?
7. What is the channel capacity, in bits per second, of a 15-MHz channel with an S/N ratio of 28 dB? ◆
8. What is the minimum allowable bandwidth that can transmit a binary signal with a bit rate of 350 bps?

9. What is the BER if four errors occur in the transmission of 500,000 bits? ♦
10. Write the correct parity bits for each number.
- a. Odd 1011000 ___
 - b. Even 1011101 ___
 - c. Odd 0111101 ___
 - d. Even 1001110 ___
11. Determine the 4 Hamming bits for the 8-bit number 11010110. Use the format illustrated in the text.
12. What is the processing gain in a DSSS system with a 20-MHz channel and a data rate of 11 Mbps?

♦ *Answers to Selected Problems follow Chap. 23.*

Critical Thinking

1. Describe in detail a simple data communication system that will monitor the temperature of a remote inaccessible location and display temperature on a personal computer.
2. Suggest a future application for spread spectrum techniques, and explain why SS would be appropriate for that application.
3. Name three or more common data communication applications that you may use.
4. Why is DSP necessary to implement OFDM?
5. Are spread spectrum and OFDM spectrally efficient? Why?

Multiplexing, Duplexing, and Multiple Access

A communication channel, or link, is established whenever a cable is connected or a radio transmitter and receiver are set up between two points. When there is only one link, only one function—whether it involves signal transmission or control operations—can be performed at a time. For two-way radio communication, a half duplex process is set up: Both ends of the communication link can send and receive but not at the same time. Full duplexing refers to the technique of simultaneous two-way communications as with a telephone.

But there is more to it than that. In fact, a single cable or radio link can handle multiple signals simultaneously by using a technique known as *multiplexing*, which permits hundreds or even thousands of signals to be combined and transmitted over a single medium. A related technique is multiple access, a method of having multiple users share a single communications resource. Most modern communications systems use one or more of these techniques.

Objectives

After completing this chapter, you will be able to:

- Explain why multiplexing techniques are necessary in telemetry, telephone systems, radio broadcasting, and Internet access.
- Compare frequency division multiplexing with time-division multiplexing.
- Trace the steps in the transmission and reception of multiplexed signals.
- List the major subtypes of time-division multiplexing.
- Define pulse-code modulation, and state the primary benefit of PCM over other forms of pulse modulation.
- List the characteristics of the T-carrier system.
- Explain the difference between time and frequency duplexing.
- Define spatial multiplexing.
- Name the four main multiple access systems.

11-1 Multiplexing Principles

Multiplexing is the process of simultaneously transmitting two or more individual signals over a single communication channel, cable, or wireless. In effect, it increases the number of communication channels so that more information can be transmitted. Often in communication it is necessary or desirable to transmit more than one voice or data signal simultaneously. An application may require multiple signals, or cost savings can be gained by using a single communication channel to send multiple information signals. Four applications that would be prohibitively expensive or impossible without multiplexing are telephone systems, telemetry, and satellites.

Multiplexing

The greatest use of multiplexing is in the telephone system, where millions of calls are multiplexed on cables, long-distance fiber-optic lines, satellites, and wireless paths. Multiplexing increases the telephone carrier's ability to handle more calls while minimizing system costs and spectrum usage.

In *telemetry*, the physical characteristics of a given application are monitored by sensitive transducers, which generate electric signals that vary in response to changes in the status of the various physical characteristics. The sensor-generated information can be sent to a central location for monitoring or can be used as feedback in a closed-loop control system. Most spacecraft and many chemical plants, e.g., use telemetry systems to monitor characteristics, such as temperature, pressure, speed, light level, flow rate, and liquid level.

Telemetry

The use of a single communication channel for each characteristic being measured in a telemetry system would not be practical, because of both the multiple possibilities for signal degradation and the high cost. Consider, e.g., monitoring a space shuttle flight. Wire cables are obviously out of the question, and multiple transmitters impractical. If a deep-space probe were used, it would be necessary to use multiple transducers, and many transmitters would be required to send the signals back to earth. Because of cost, complexity, and equipment size and weight, this approach would not be feasible. Clearly, telemetry is an ideal application for multiplexing, with which the various information signals can all be sent over a single channel.

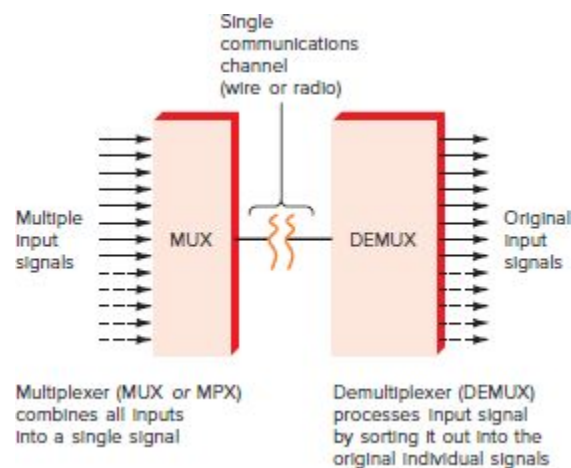
Finally, modern FM stereo broadcasting requires multiplexing techniques. Digital TV is multiplexed.

Multiplexing is accomplished by an electronic circuit known as a *multiplexer*. A simple multiplexer is illustrated in Fig. 11-1. Multiple input signals are combined by the

multiplexer into a single composite signal that is transmitted over the communication medium. Alternatively, multiplexed signals can modulate a carrier before transmission. At the other end of the communication link, a demultiplexer is used to process the composite signal to recover the individual signals.

Multiplexer

Figure 11-1 Concept of multiplexing.



The two most common types of multiplexing are frequency-division multiplexing (FDM) and time-division multiplexing (TDM). Two variations of these basic methods are frequency-division multiple access (FDMA) and time-division multiple access (TDMA). TDM systems are used primarily for digital information. However, TDM techniques are also found in many analog applications because the processes of A/D and D/A conversion are so common. The primary difference between these techniques is that in FDM, individual signals to be transmitted are assigned a different frequency within a common bandwidth. In TDM, the multiple signals are transmitted in different time slots on a single channel.

GOOD TO KNOW

FDM systems are used for analog information, and TDM systems are used for digital information, although analog or digital signals may use either type of multiplexing.

Another form of multiple access is known as page 403 *code-division multiple access (CDMA)*. It is used in older 3G cell phone systems to allow many cell phone subscribers to use a common bandwidth at the same time. This system uses special codes assigned to each user that can be identified. CDMA uses a technique called spread spectrum to make this type of multiplexing possible. Spread spectrum is covered in Chap. 10.

Code-division multiple access (CDMA)

11-2 Frequency-Division Multiplexing

In *frequency-division multiplexing (FDM)*, multiple signals share the bandwidth of a common communication channel. Remember that all channels have specific bandwidths, and some are relatively wide. A coaxial cable, e.g., has a bandwidth of about 1 GHz. The bandwidths of radio channels vary, and are usually determined by FCC regulations and the type of radio service involved. Regardless of the type of channel, a wide bandwidth can be shared for the purpose of transmitting many signals at the same time.

Frequency-division multiplexing (FDM)

Transmitter-Multiplexers

Fig. 11-2 shows a general block diagram of an FDM system. Each signal to be transmitted feeds a modulator circuit. The carrier for each modulator (f_c) is on a different frequency. The carrier frequencies are usually equally spaced from one another over a specific frequency range. These carriers are referred to as *subcarriers*. Each input signal is given a portion of the bandwidth. The resulting spectrum is illustrated in Fig. 11-3. Any of the standard kinds of modulation can be used, including AM, SSB, FM, PM, or any of the various digital modulation methods. The FDM process divides up the bandwidth of the single channel into smaller, equally spaced channels, each capable of carrying information in sidebands.

Subcarrier

Figure 11-2 The transmitting end of an FDM system.

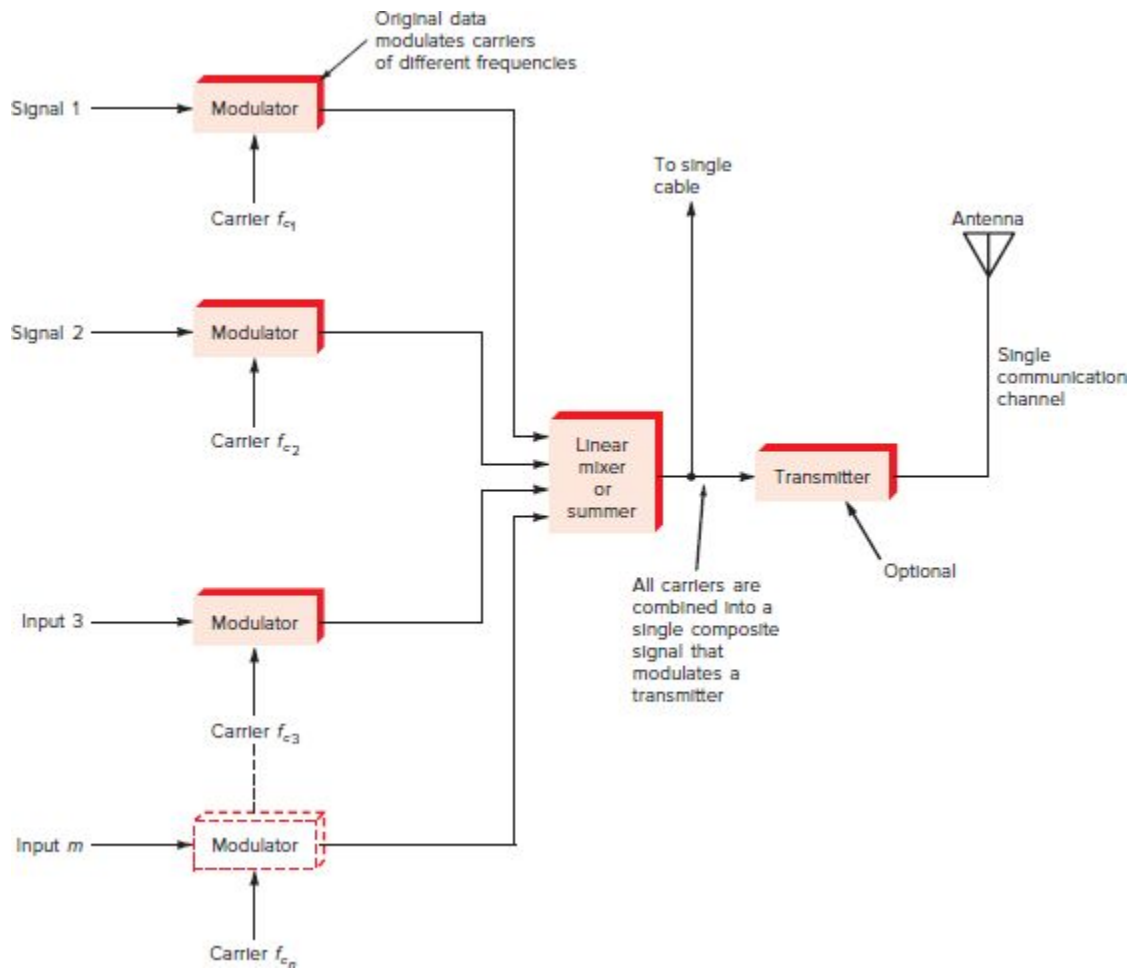
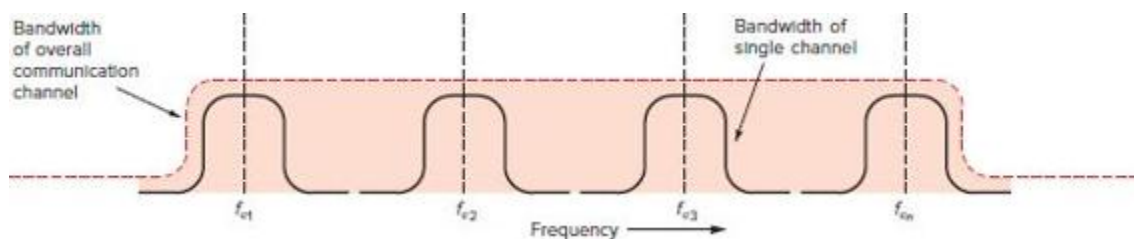


Figure 11-3 Spectrum of an FDM signal. The bandwidth of a single channel is divided into smaller channels. page 404



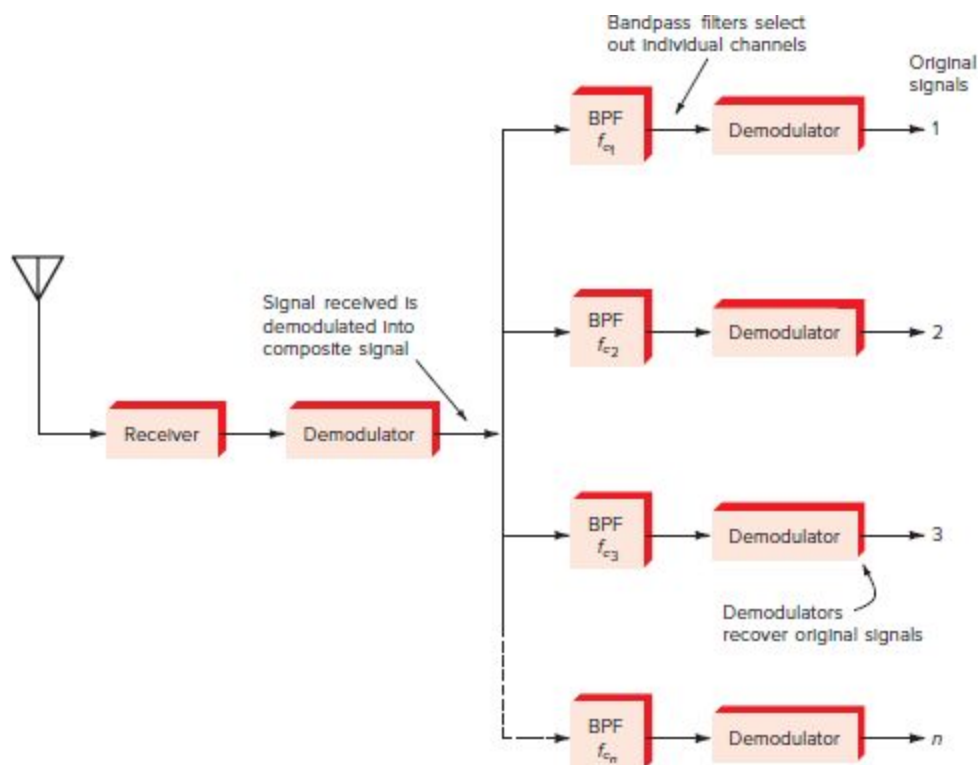
The modulator outputs containing the sideband information are added algebraically in a linear mixer; no modulation or generation of sidebands takes place. The resulting output signal is a composite of all the modulated subcarriers. This signal can be used to modulate a radio transmitter or can itself be transmitted over the single

communication channel. Alternatively, the composite signal can become one input to another multiplexed system.

Receiver-Demultiplexers

The receiving portion of an FDM system is shown in Fig. 11-4. A receiver picks up the signal and demodulates it, recovering the composite signal. This is sent to a group of bandpass filters, each centered on one of the carrier frequencies. Each filter passes only its channel and rejects all others. A subcarrier demodulator then recovers each original input signal.

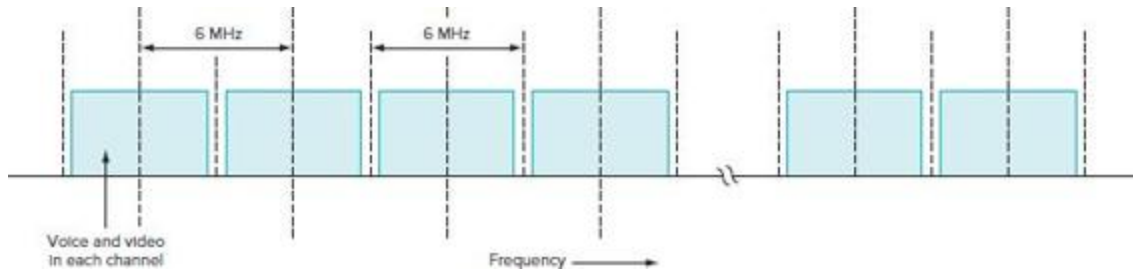
Figure 11-4 The receiving end of an FDM system.



Telemetry. Telemetry is the practice of making measurements at a distance. Sensors are used to measure physical quantities such as temperature, flow rate, pressure, light level, and mechanical position. These measurements may come from a test missile, an experimental aircraft, an automobile in a wind tunnel, a pipeline, a section of the electric grid, a weather station, or some other system that must be monitored. The sensors are usually of the analog type that generate low-level signals that must be amplified, filtered, and otherwise conditioned to produce the desired measurement. Then the sensor signals are sent to an FDM system that transmits a composite signal back to a collection point for recovery using an FDM demultiplexer for subsequent display, storage, and interpretation. Such systems are also referred to as data acquisition systems. While FDM systems are still viable, today most telemetry and data acquisitions are of the digital type.

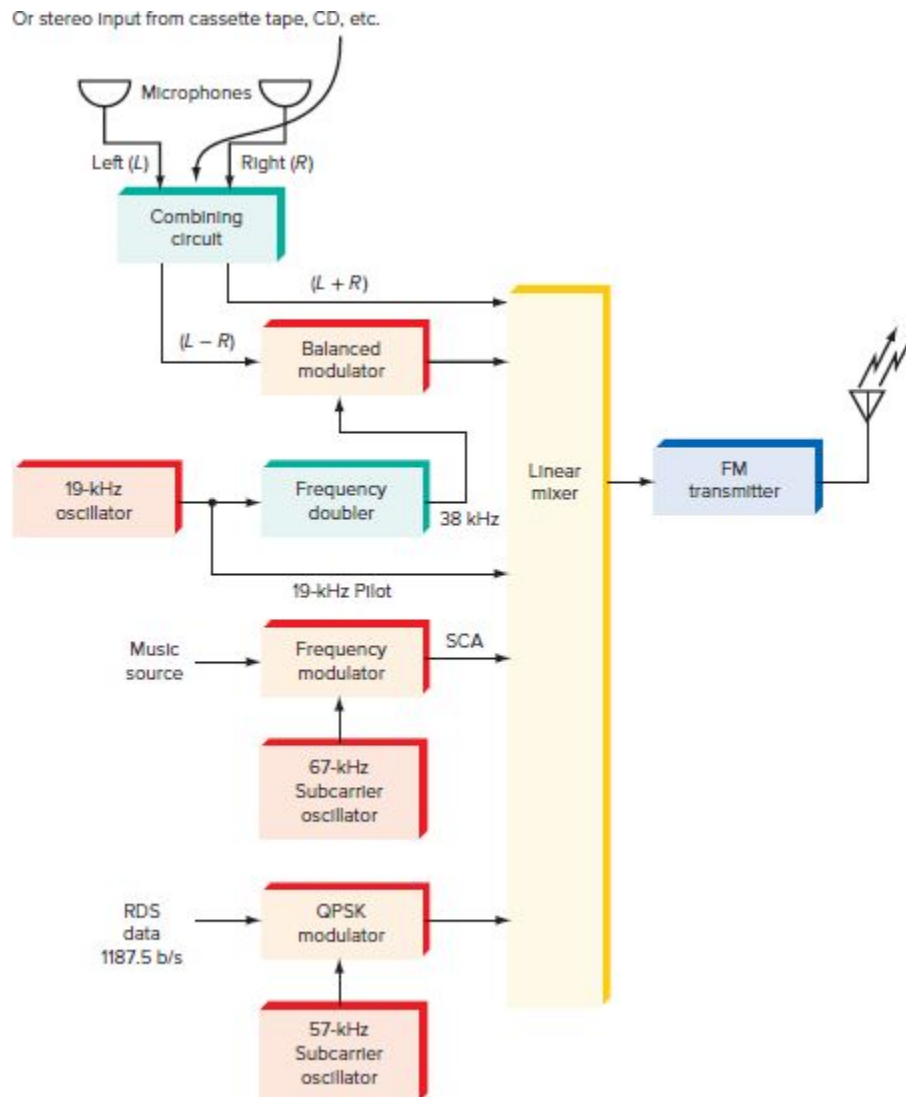
Cable TV. One of the best examples of FDM is cable TV (CATV), in which multiple TV signals, each in its own 6-MHz channel, are multiplexed on a fiber-optic-coaxial cable and sent to nearby homes. TV signals include video and audio to modulate carriers that can be added to produce FDM. The cable box at the TV set acts as a tunable filter to select the desired channel. Fig. 11-5 shows the spectrum on the cable. Each 6-MHz channel carries the video and voice of the TV signal. Coaxial and fiber-optic cables have an enormous bandwidth and can carry more than one hundred TV channels. Most cable TV companies also use their cable system for Internet access. A special modem (modulator-demodulator) permits computer data to be transmitted and received at very high data speeds. You will learn more about CATV and cable modems in Chap. 10.

Figure 11-5 The spectrum on coaxial cable in a cable TV system with 6-MHz-wide channels.



FM Stereo Broadcasting. Fig. 11-6 is a general block diagram of a stereo FM multiplex modulator. Two audio signals, called the left (L) and right (R) signals, originate at the two audio sources such as microphones as shown in the figure. These two signals are fed to a linear combining circuit, where they are used to form sum ($L+R$) and difference ($L-R$) signals. The $L+R$ signal is the same as if a single sound source was used.

Figure 11-6 General block diagram of an FM stereo multiplex modulator, multiplexer, and transmitter.

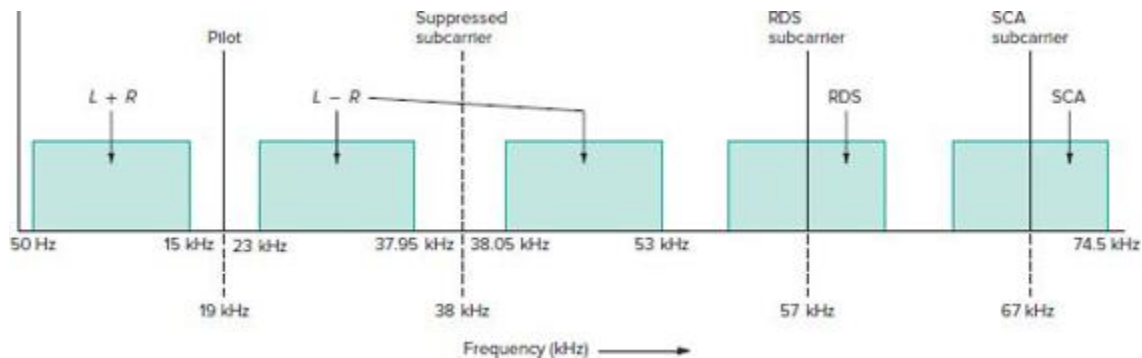


These two signals, the $L + R$ and $L - R$, are transmitted independently and recombined later in the receiver to produce the individual right- and left-hand channels.

The $L - R$ signal is used to amplitude-modulate a 38-kHz carrier in a balanced modulator. The balanced modulator suppresses the carrier but generates upper and lower sidebands. The resulting spectrum of the composite modulating signal is shown in Fig. 11-7. As shown, the frequency range of the $L + R$ signal is from 50 Hz to 15 kHz. Since the frequency response of an FM signal is 50 to 15 kHz, the sidebands of the $L - R$ signal are in the frequency range of $38 \text{ kHz} \pm 15 \text{ kHz}$ or 23 to 53 kHz. This DSB

suppressed carrier signal is algebraically added to, and transmitted along with, the standard $L + R$ audio signal.

Figure 11-7 Spectrum of FM stereo multiplex broadcast signal. This signal frequency-modulates the RF carrier.



Also transmitted with the $L + R$ and $L - R$ signals is a [page 407](#) 19-kHz pilot carrier. The 19-kHz oscillator drives a frequency doubler to generate the 38-kHz carrier for the balanced modulator.

Some FM stations also broadcast one or more additional signals, referred to as *subsidiary communications authorization (SCA) signals*. The basic SCA signal is a separate subcarrier of 67 kHz, which is frequency-modulated by audio signals, usually music.

Subsidiary communications authorization (SCA) signal

Another service provided by some FM stations is called the *Radio Data System (RDS)*. It allows digital data to be transmitted to the FM receiver. Some examples of the types of data transmitted include station call letters and location, travel and weather data, and short news announcements. A popular use of RDS is to transmit the name and artist of music selections being played by the station. The transmitted data is displayed on a liquid-crystal display (LCD) in the receiver.

The data to be transmitted is used to modulate another subcarrier at 57 kHz. This is the third harmonic of the 19-

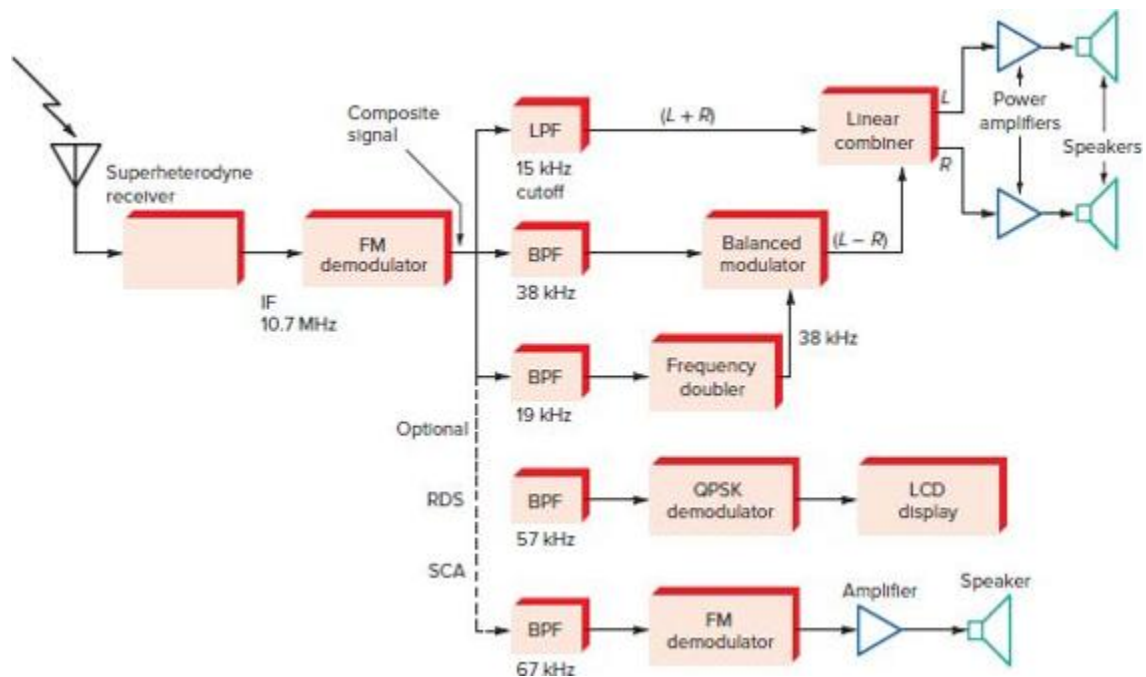
kHz pilot carrier and so helps prevent interaction with the stereo signals. A form of phase modulation called *quadrature phase-shift keying (QPSK)* is used to modulate the subcarrier. The serial data rate is 1187.5 bits per second (bps).

Quadrature phase-shift keying

As in other FDM systems, all the subcarriers are added with a linear mixer to form a single signal (Fig. 11-7). This signal is used to frequency-modulate the carrier of the broadcast transmitter.

At the receiving end, the demodulation is accomplished with a circuit similar to that illustrated in Fig. 11-8. The FM superheterodyne receiver picks up the signal, amplifies it, and translates it to an intermediate frequency, usually 10.7 MHz. It is then demodulated. The output of the demodulator is the original multiplexed signal. The additional circuits now sort out the various signals and reproduce them in their original form.

Figure 11-8 Demultiplexing and recovering the FM stereo and SCA signals.



The original audio $L+R$ signal is extracted simply by passing the multiplex signal through a 15-kHz low-pass filter. Only the 50- to 15-kHz original audio is passed. This signal is fully compatible with monaural FM receivers without stereo capability. In a stereo system, the $L+R$ audio signal is fed to a linear matrix or combiner where it is mixed with the $L-R$ signal to create the two separate L and R channels.

The multiplexed signal is also applied to a page 408 bandpass filter that passes the 38-kHz suppressed subcarrier with its sidebands. This is the $L-R$ signal that modulates the 38-kHz carrier. This signal is fed to a balanced modulator for demodulation.

The 19-kHz pilot carrier is extracted by passing the multiplexed signal through a narrow bandpass filter. This 19-kHz subcarrier is then fed to an amplifier and frequency doubler circuit, which produces a 38-kHz carrier signal that is fed to the balanced modulator. The output of the balanced modulator, of course, is the $L-R$ audio signal. This is fed to the linear resistive combiner along with the $L+R$ signal.

The linear combiner both adds and subtracts these two signals. Addition produces the left-hand channel: $(L+R) + (L-R) = 2L$. Subtraction produces the right-hand channel: $(L+R) - (L-R) = 2R$. The left- and right-hand audio signals are then sent to separate audio amplifiers and speakers.

If an SCA signal is being used, a separate bandpass filter centered on the 67-kHz subcarrier will extract the signal and feed it to an FM demodulator. The demodulator output is then sent to a separate audio amplifier and speaker.

If the RDS signal is used, a 57-kHz bandpass filter selects this signal and sends it to a QPSK demodulator. The recovered digital data is then displayed on the receiver's LCD. Typically, the recovered data is sent to the receiver's embedded control microprocessor that also controls the LCD display where the data is conditioned prior to display.

All the circuitry used in the demultiplexing process is usually contained in a single IC. In fact, most FM receivers contain a single chip that performs all of the demultiplexing, demodulation and related processes using DSP.

Example 11-1

A cable TV service uses a single coaxial cable with a bandwidth of 860 MHz to transmit multiple TV signals to subscribers. Each TV signal is 6 MHz wide. How many channels can be carried?

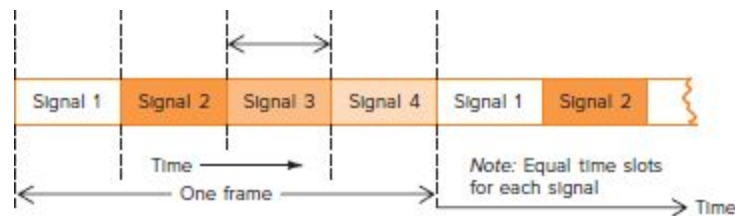
$$\text{Total channels} = 860/6 = 143.33 \text{ or } 143$$

11-3 Time-Division Multiplexing

In FDM, multiple signals are transmitted over a single channel, each signal being allocated a portion of the spectrum within that bandwidth. In *time-division multiplexing (TDM)*, each signal occupies the entire bandwidth of the channel. However, each signal is transmitted for only a brief time. In other words, multiple signals take turns transmitting over the single channel, as diagrammed in Fig. 11-9. Here, each of the four signals being transmitted over a single channel is allowed to use the channel for a fixed time, one after another. Once all four have been transmitted, the cycle repeats. As an example, each signal time slot in Fig. 11-9 usually contains 1 byte of data from an analog-to-digital converter (ADC) or other digital source. One binary word from each source creates a frame. The frames are then repeated over and over again.

Time-division multiplexing (TDM)

Figure 11-9 The basic TDM concept.



The transmission of digital data by TDM is straightforward in that the digital data is already available in separate bytes, which can easily be assigned to the different time slots. TDM can also be used to transmit analog signals, whether they are voice, video, or sensor-derived. This is accomplished by sampling the analog signal repeatedly at a high rate and then converting the samples to proportional binary numbers using an analog-to-digital converter (ADC) and transmitting them serially.

Sampling an analog signal creates what we call [page 409](#) pulse-amplitude modulation (PAM). As shown in Fig. 11-10, the analog signal is sent to an analog-to-digital converter (ADC) and converted to a series of constant-width pulses whose amplitude follows the shape of the analog signal. The original analog signal can be recovered by passing it through a low-pass filter. In TDM, a circuit called a multiplexer (MUX or MPX) samples multiple analog signal sources; the resulting pulses are interleaved and then transmitted over a single channel. Fig. 11-1 illustrates this process in more detail with four analog inputs.

Figure 11-10 Sampling an analog signal to produce pulse-amplitude modulation.

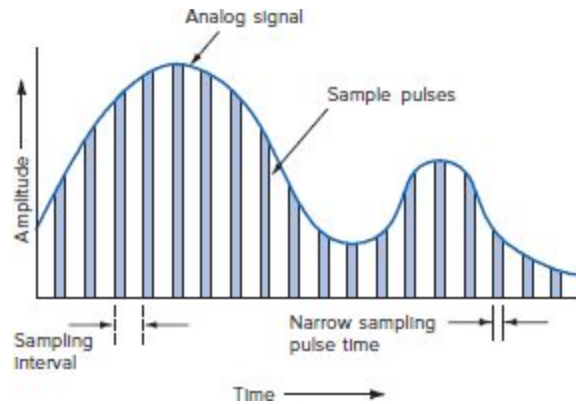
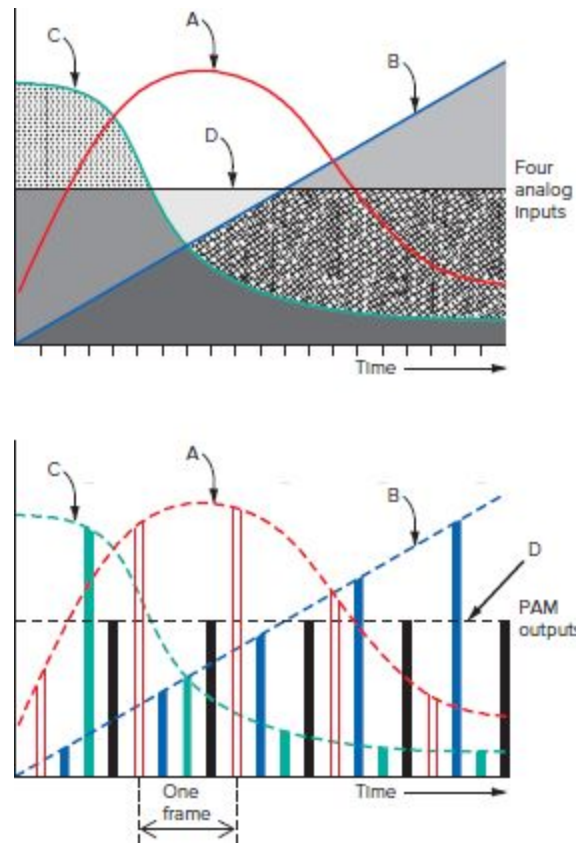


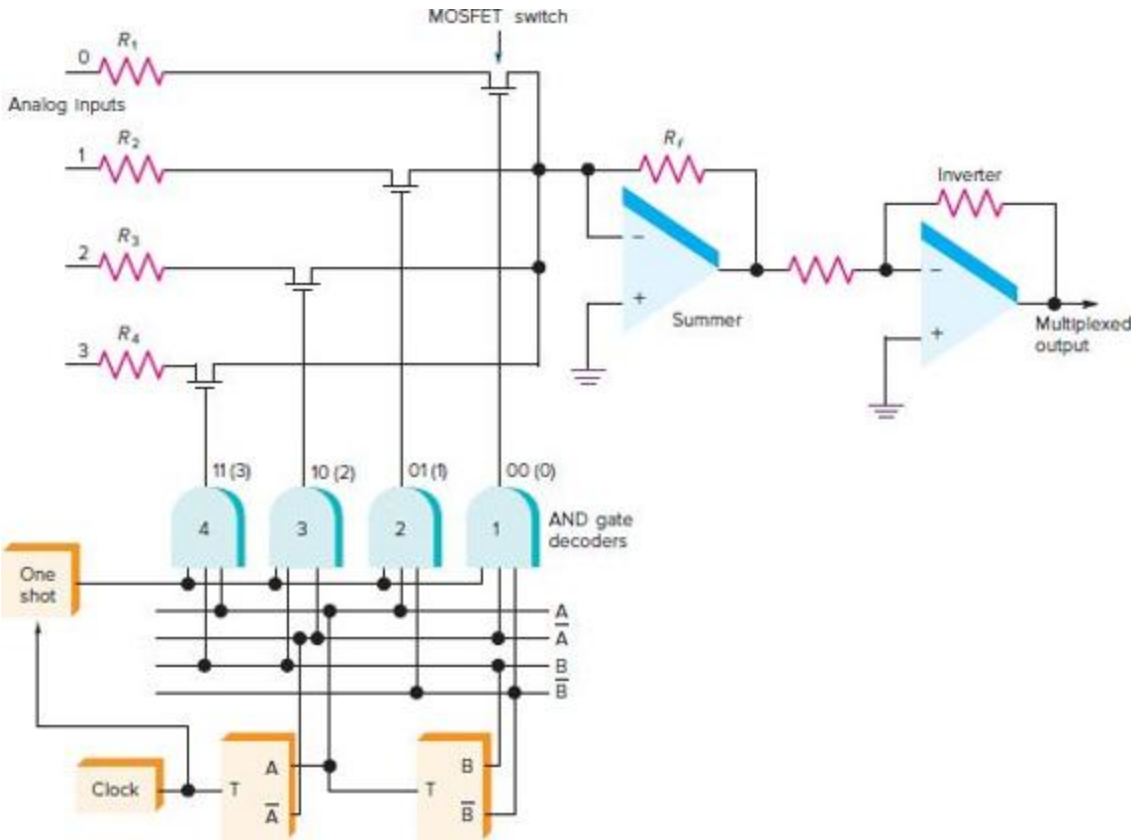
Figure 11-11 Four-channel time division multiplexer for analog inputs.



Electronic Multiplexers. A time division multiplexer is often referred to as a MUX or MPX. A complete four-channel TDM/PAM circuit is illustrated in Fig. 11-12. A TDM MUX may be used with either analog or digital signals. Fig. 11-12 shows a multiplexer used with analog inputs. The multiplexer is an op amp summer circuit with MOSFETs on

each input resistor. When the MOSFET is conducting, it has a very low on-resistance and therefore acts as a closed switch. When the transistor is off, no current flows through it, and it therefore acts as an open switch. A digital pulse applied to the gate of the MOSFET turns the transistor on. The absence of a pulse means that the transistor is off. The control pulses to the MOSFET switches are such that only one MOSFET is turned on at a time. These MOSFETs are turned on in sequence by the digital circuitry illustrated.

Figure 11-12 A time-division multiplexer used with analog signals.



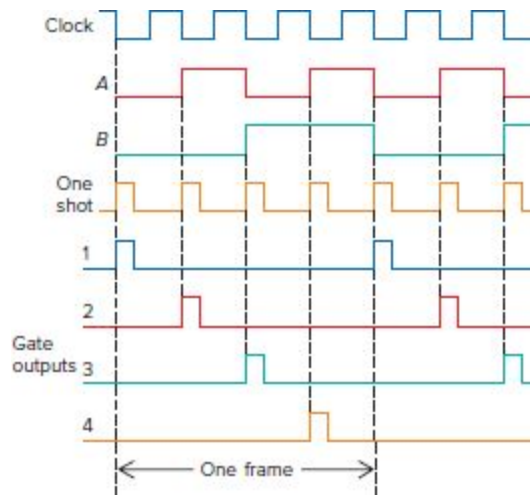
The digital control pulses are developed by the 2-bit counter and decoder circuit shown in Fig. 11-12. Since there are four channels, four counter states are needed. A clock oscillator circuit triggers the two flip-flop counters. The clock and flip-flop waveforms are illustrated in Fig. 11-13. The flip-

flop outputs are decoded by AND gates that are connected to recognize the four binary combinations 00, 01, 10, and 11. The output of each decoder gate is applied to one of the multiplexed MOSFET gates.

Figure 11-13 Waveforms for an analog multiplexer.

page 410

page 411



The *one-shot multivibrator* diagrammed in Fig. 11-12 is used to trigger all the decoder AND gates at the clock frequency. It produces an output pulse whose duration has been set to the desired sampling interval.

One-shot multivibrator

Each time the clock pulse occurs, the one shot generates its pulse, which is applied simultaneously to all four AND decoder gates. At any given time, only one of the gates is enabled. The output of the enabled gate is a pulse whose duration is the same as that of the one shot.

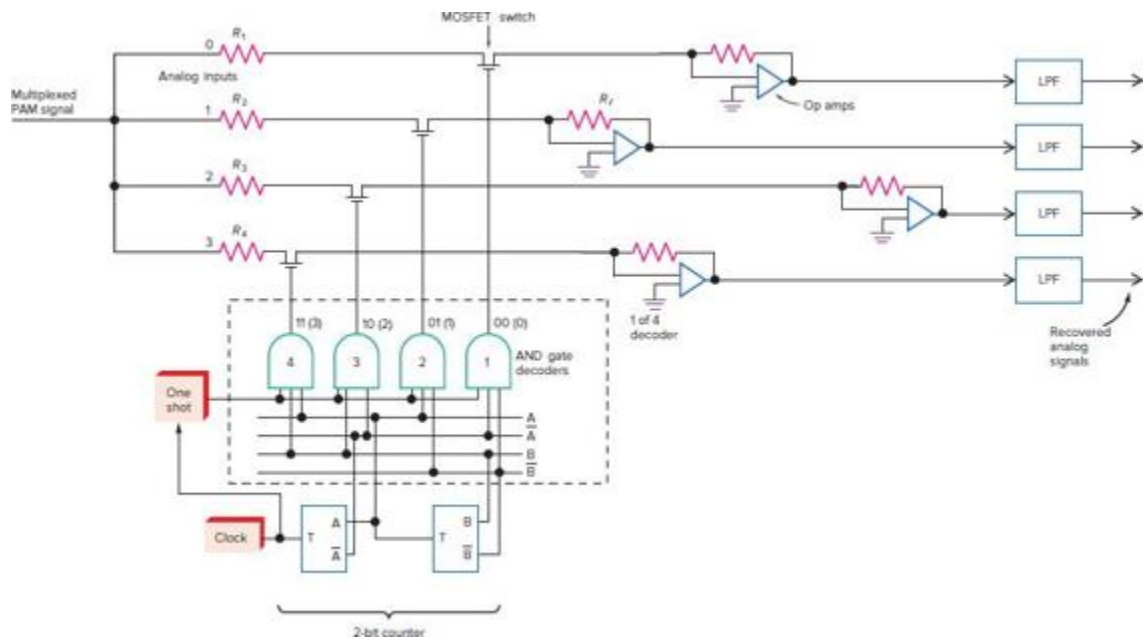
When the pulse occurs, it turns on the associated MOSFET and allows the analog signal to be sampled and passed through the op amps to the output. The output of the final op amp is a multiplexed PAM signal like that in Fig. 11-11. The PAM output can be used to modulate a carrier for transmission to a receiver.

Demultiplexer Circuits

Once the composite PAM signal is recovered at the receiver, it is applied to a *demultiplexer (DEMUX)*. The demultiplexer is, of course, the reverse of a multiplexer. It has a single input and multiple outputs, one for each original input signal. Typical DEMUX circuitry is shown in Fig. 11-14. A four-channel demultiplexer has a single input and four outputs. Most demultiplexers use MOSFETs driven by a counter-decoder. The individual PAM signals are sent to op amps, where they are buffered and possibly amplified. They are then sent to low-pass filters, where they are smoothed into the original analog signals.

Demultiplexer (DEMUX)

Figure 11-14 A PAM demultiplexer.



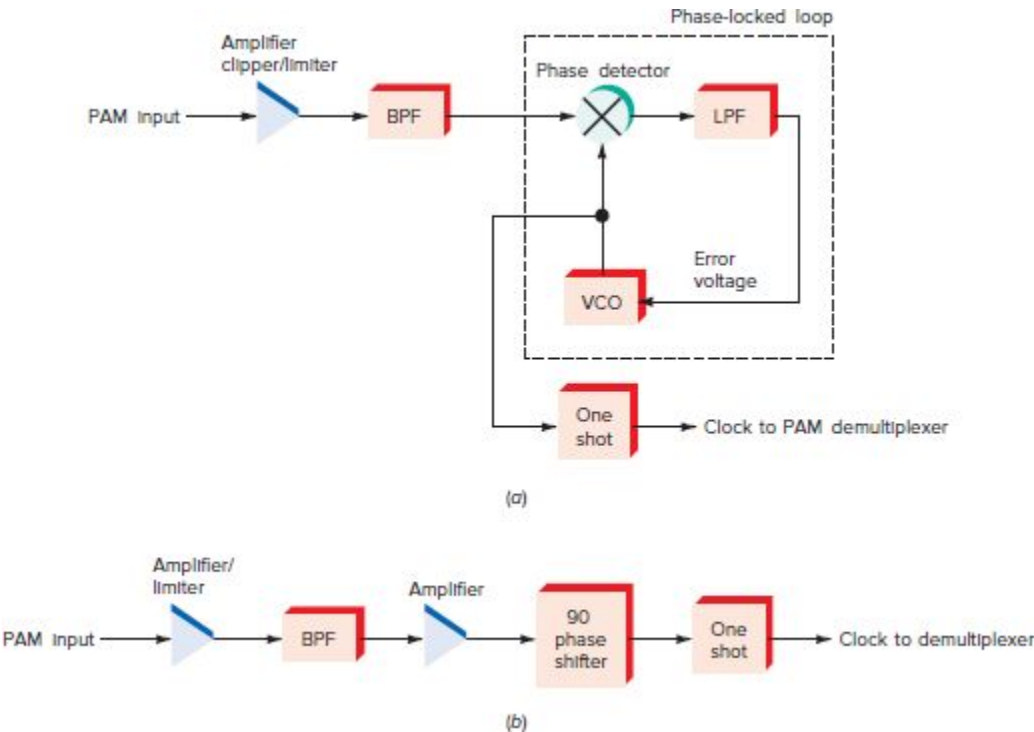
The main problem encountered in demultiplexing is synchronization. That is, for the PAM signal to be accurately demultiplexed into the original sampled signals, the clock frequency used at the receiver demultiplexer must be

identical to that used at the transmitting multiplexer. In addition, the sequence of the demultiplexer must be identical to that of the multiplexer so that when channel 1 is being sampled at the transmitter, channel 1 is turned on in the receiver demultiplexer at the same time. Such synchronization is usually carried out by a special synchronizing pulse included as a part of each frame. Some of the circuits used for clock frequency and frame synchronization are discussed in the following sections.

Clock Recovery. Instead of using a free-running clock oscillator set to the identical frequency of the transmitter system clock, the clock for the demultiplexer is derived from the received PAM signal itself. The circuits shown in Fig. 11-15, called *clock recovery circuits*, are typical of those used to generate the demultiplexer clock pulses.

Clock recovery circuit

Figure 11-15 Two PAM clock recovery circuits. (a) Closed loop. (b) Open loop. page 412
page 413



In Fig. 11-15(a), the PAM signal has been applied to an amplifier/limiter circuit, which first amplifies all received pulses to a high level and then clips them off at a fixed level. The output of the limiter is thus a constant-amplitude rectangular wave whose output frequency is equal to the commutation rate. This is the frequency at which the PAM pulses occur and is determined by the transmitting multiplexer clock.

The rectangular pulses at the output of the limiter are applied to a bandpass filter, which eliminates the upper harmonics, creating a sine wave signal at the transmitting clock frequency. This signal is applied to the phase detector circuit in a PLL along with the input from a voltage-controlled oscillator (VCO). The VCO is set to operate at the frequency of the PAM pulses. However, the VCO frequency is controlled by a dc error voltage applied to its input. This input is derived from the phase detector output, which is filtered by a low-pass filter into a dc voltage.

GOOD TO KNOW

Clock recovery circuits are used to remedy the synchronization problem encountered in demultiplexing.

The phase detector compares the phase of the incoming PAM sine wave to the VCO sine wave. If a phase error exists, the phase detector produces an output voltage, which is filtered to provide a varying direct current. The system is stabilized or locked when the VCO output frequency is identical to that of the sine wave frequency derived from the PAM input. The difference is that the two are shifted in phase by 90° .

If the PAM signal frequency changes for some reason, the phase detector picks up the variation and generates an error signal that is used to change the frequency of the VCO to match. Because of the closed-loop feature of the system,

the VCO automatically tracks even minute frequency changes in the PAM signal, ensuring that the clock frequency used in the demultiplexer will always perfectly match that of the original PAM signal.

The output signal of the VCO is applied to a one-shot pulse generator that creates rectangular pulses at the proper frequency. These are used to step the counter in the demultiplexer; the counter generates the gating pulses for the FET demultiplexer switches.

A simpler, open-loop clock pulse circuit is shown in Fig. 11-15(b). Again, the PAM signal is applied to an amplifier/limiter and then a bandpass filter. The sine wave output of the bandpass filter is amplified and applied to a phase-shift circuit, which produces a 90° phase shift at the frequency of operation. This phase-shifted sine wave is then applied to a pulse generator, which, in turn, creates the clock pulses for the demultiplexer. One disadvantage of this technique is that the phase-shift circuit is fixed to create a 90° shift at only one frequency, and so minor shifts in input frequency produce clock pulses whose timing is not perfectly accurate. However, in most systems in which frequency variations are not great, the circuit operates reliably.

Frame synchronization

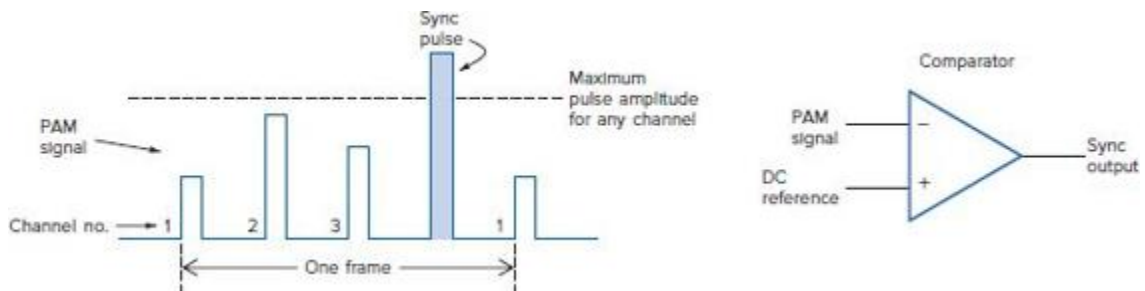
Frame Synchronization. After clock pulses of the page 414 proper frequency have been obtained, it is necessary to synchronize the multiplexed channels. This is usually done with a special synchronizing (*sync*) pulse applied to one of the input channels at the transmitter. In the four-channel system discussed previously, only three actual signals are transmitted. The fourth channel is used to transmit a special pulse whose characteristics are unique in some way so that it can be easily recognized. The amplitude of the pulse can be higher than the highest-amplitude data pulse, or the width of the pulse can be wider than those

pulses derived by sampling the input signals. Special circuits are then used to detect the sync pulse.

Sync pulse

Fig. 11-16 shows an example of a sync pulse that is higher in amplitude than the maximum pulse value of any data signal. The sync pulse is also the last to occur in the frame. At the receiver, a comparator circuit is used to detect the sync pulse. One input to the comparator is set to a dc reference voltage that is slightly higher than the maximum amplitude possible for the data pulses. When a pulse greater than the reference amplitude occurs, i.e., the sync pulse, the comparator immediately generates an output pulse, which can then be used for synchronization. Alternatively, it is possible not to transmit a pulse during one channel interval, leaving a blank space in each frame that can then be detected for the purposes of synchronization.

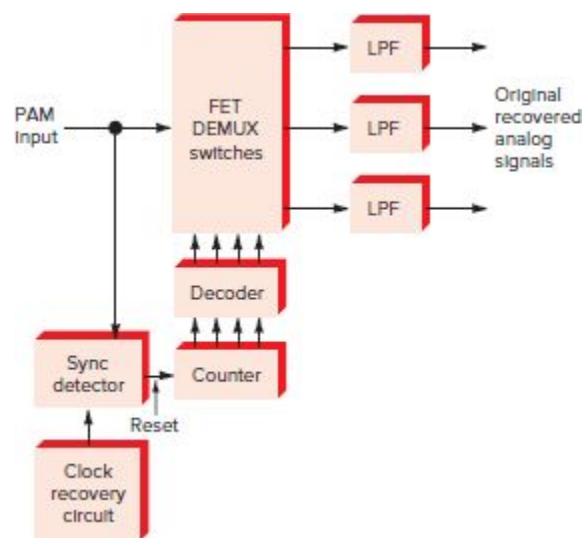
Figure 11-16 Frame sync pulse and comparator detector.



When the sync pulse is detected at the receiver, it acts as a reset pulse for the counter in the demultiplexer circuit. At the end of each frame, the counter is reset to zero (channel 0 is selected). When the next PAM pulse occurs, the demultiplexer will be set to the proper channel. Clock pulses then step the counter in the proper sequence for demultiplexing.

Finally, at the output of the demultiplexer, separate low-pass filters are applied to each channel to recover the original analog signals. Fig. 11-17 shows the complete PAM demultiplexer. All the circuitry shown in Fig. 11-11 is usually contained in a single IC chip. MOSFET multiplexers are available with 4, 8, and 16 inputs, and these may be grouped to handle an even larger number of analog inputs. The MUX circuitry may also be integrated with an ADC inside a microcontroller. Keep it in mind that such circuitry today is deep within an integrated circuit and cannot be accessed. Knowing the concept of internal operations is helpful, but generally you will only be concerned with the input and output signals.

Figure 11-17 Complete PAM demultiplexer.



11-4 Pulse-Code Modulation

The most popular form of TDM uses *pulse-code modulation (PCM)* (see Sec. 7-4), in which multiple channels of digital data are transmitted in serial form. Each channel is assigned

a time slot in which to transmit one binary word of data. The data streams from the various channels are interleaved and transmitted sequentially.

Pulse-code modulation (PCM)

PCM Multiplexers

When PCM is used to transmit analog signals, the signals are sampled with a multiplexer as described previously for PAM, and then converted by an A/D converter into a series of binary numbers, where each number is proportional to the amplitude of the analog signal at the various sampling points. These binary words are converted from parallel to serial format and then transmitted.

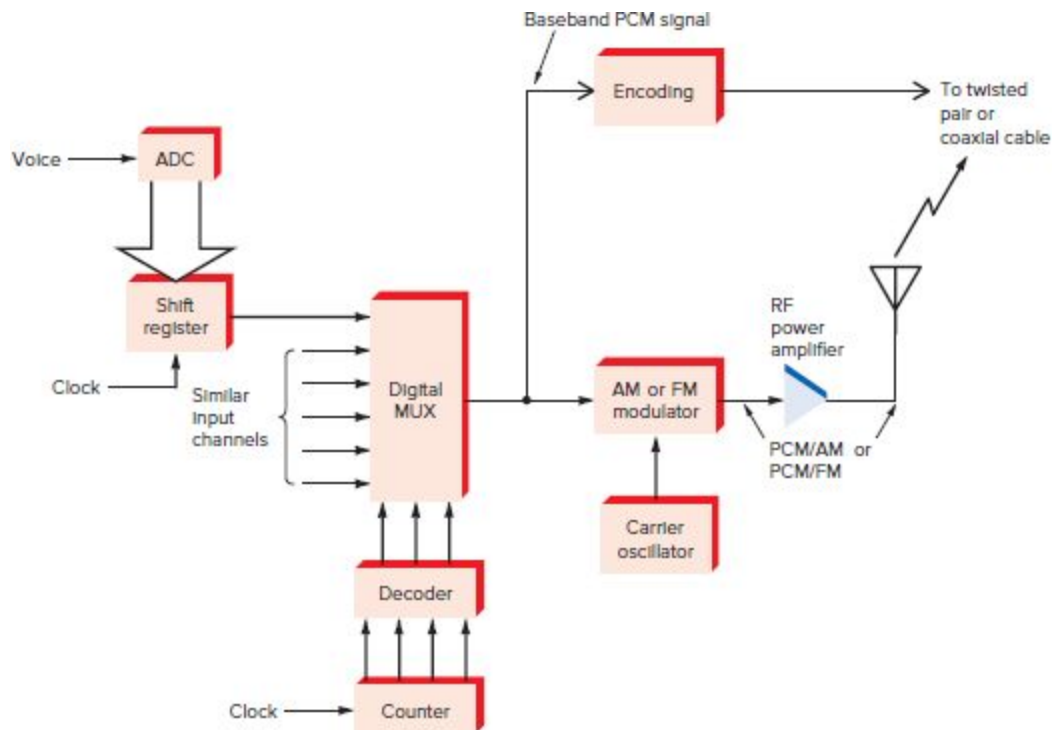
At the receiving end, the various channels are demultiplexed and the original sequential binary numbers recovered, stored in a digital memory, and then transferred to a D/A converter that reconstructs the analog signal. (When the original data is strictly digital, D/A conversion is not required, of course.)

Any binary data, multiplexed or not, can be transmitted by PCM. Most long-distance space probes have on-board video cameras whose output signals are digitized and transmitted back to earth in binary format. Such PCM video systems make possible the transmission of graphic images over incredible distances. In computer multimedia presentations, video data is often digitized and transmitted by PCM techniques to a remote source.

Fig. 11-18 shows a general block diagram of the major components in a PCM system, where analog voice signals are the initial inputs. The voice signals are applied to A/D converters, which generate an 8-bit parallel binary word (byte) each time a sample is taken. Since the digital data must be transmitted serially, the A/D converter output is fed to a shift register, which produces a serial data output from

the parallel input. In telephone systems, a codec takes care of the A/D parallel-to-serial conversion. The clock oscillator circuit driving the shift register operates at the desired bit rate.

Figure 11-18 A PCM system.



GOOD TO KNOW

PCM video systems make the transmission of graphic images over great distances possible.

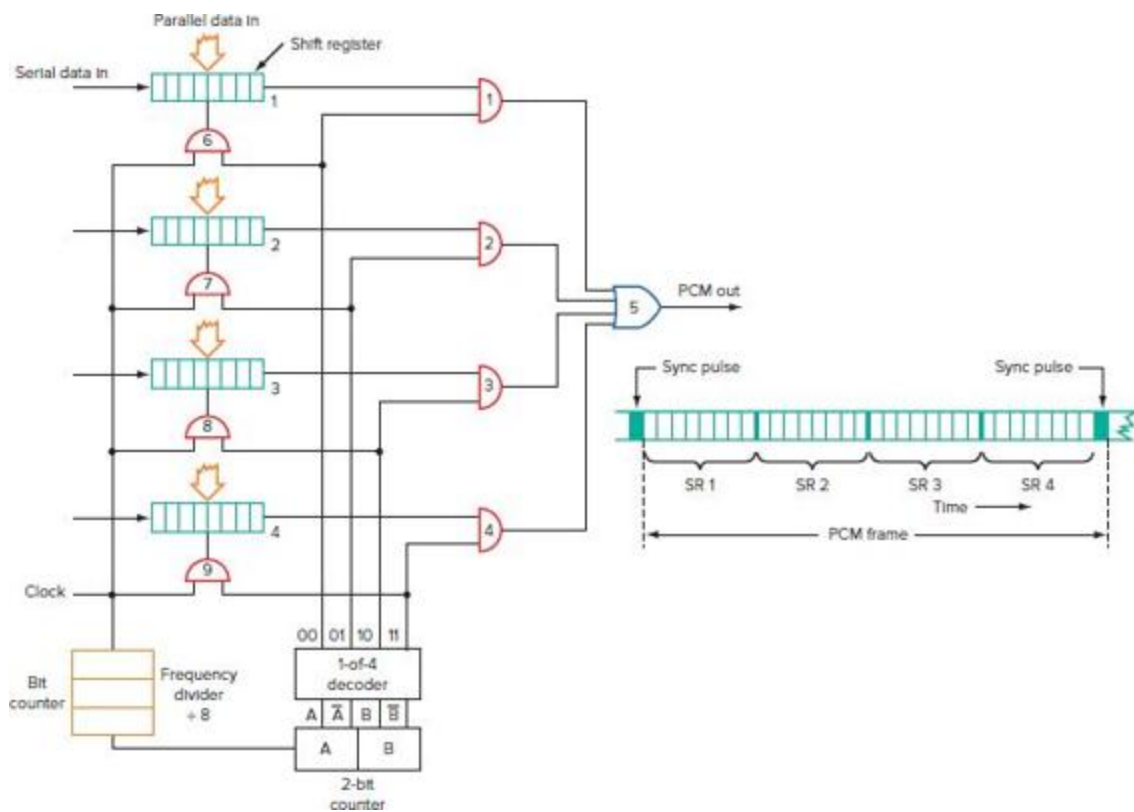
The multiplexing is done with a simple digital [page 416](#) MUX. Since all the signals to be transmitted are binary, a multiplexer constructed of standard logic gates can be used. A binary counter drives a decoder that selects the desired input channel.

The multiplexed output is a serial data waveform of the interleaved binary words. This baseband digital signal can

then be encoded and transmitted directly over a twisted pair of cables, a coaxial cable, or a fiber-optic cable. Alternatively, the PCM binary signal can be used to modulate a carrier. A form of phase modulation known as phase shift keying (PSK) is the most commonly used.

Fig. 11-19 shows the details of a four-input PCM multiplexer. Typically, the inputs to such a multiplexer come from an A/D converter. The binary inputs are applied to a shift register, which can be loaded from a parallel source such as the A/D converter or another serial source. In most PCM systems, the shift registers are part of a codec.

Figure 11-19 PCM multiplexer.



The multiplexer itself is the familiar digital circuit known as a data selector. It is made up of gates 1 through 5. The serial data is applied to gates 1 to 4; only one gate at a time is enabled by a 1-of-4 decoder. The serial data from the

enabled gate is passed through to OR gate 5 and appears in the output.

Now, assume that all shift registers are loaded with the bytes to be transmitted. The 2-bit counter AB is reset, sending the 00 code to the decoder. This turns on the 00 output, enabling gate 1. Note that the decoder output also enables gate 6. The clock pulses begin to trigger shift register 1, and the data is shifted out 1 bit at a time. The serial bits pass through gates 1 and 5 to the output. At the same time, the bit counter, which is a divide-by-8 circuit, keeps track of the number of bits shifted out. When 8 pulses have occurred, all 8 bits in shift register 1 have been transmitted. After counting 8 clock pulses, the bit counter recycles and triggers the 2-bit counter. Its code is now 01. This enables gate 2 and gate 7. The clock pulses continue, and now the contents of shift register 2 are shifted out 1 bit at a time. The serial data passes through gates 2 and 5 to the output. Again, the bit counter counts 8 bits and then recycles after all bits in shift register 2 have been sent. This again triggers the 2-bit counter, whose code is now 10. This enables gates 3 and 8. The contents of shift register 3 are now shifted out. The process repeats for the contents of shift register 4.

When the contents of all four shift registers have page 417 been transmitted once, one PCM frame has been formed (see Fig. 11-19). The data in the shift registers is then updated (the next sample of the analog signal converted), and the cycle is repeated.

If the clock in Fig. 11-19 is 64 kHz, the bit rate is 64 kilobits per second (kbps) and the bit interval is $1/64,000 = 15.625 \mu\text{s}$. With 8 bits per word, it takes $8 \times 15.625 = 125 \mu\text{s}$ to transmit one word. This means that the word rate is $1/125 \times 10^{-6} = 8 \text{ kbytes/s}$. If the shift registers get their data from an A/D converter, the sampling rate is 125 μs or 8 kHz. This is the rate used in telephone systems for sampling voice

signals. Assuming a maximum voice frequency of 3 kHz, the minimum sampling rate is twice that, or 6 kHz, and so a sampling rate of 8 kHz is more than adequate to accurately represent and reproduce the analog voice signal. (Serial data rates are further explained in Chaps. 10 and 15.)

As shown in Fig. 11-19, a sync pulse is added to the end of the frame. This signals the receiver that one frame of four signals has been transmitted and that another is about to begin. The receiver uses the sync pulse to keep all its circuits in step so that each original signal can be accurately recovered.

PCM demultiplexer

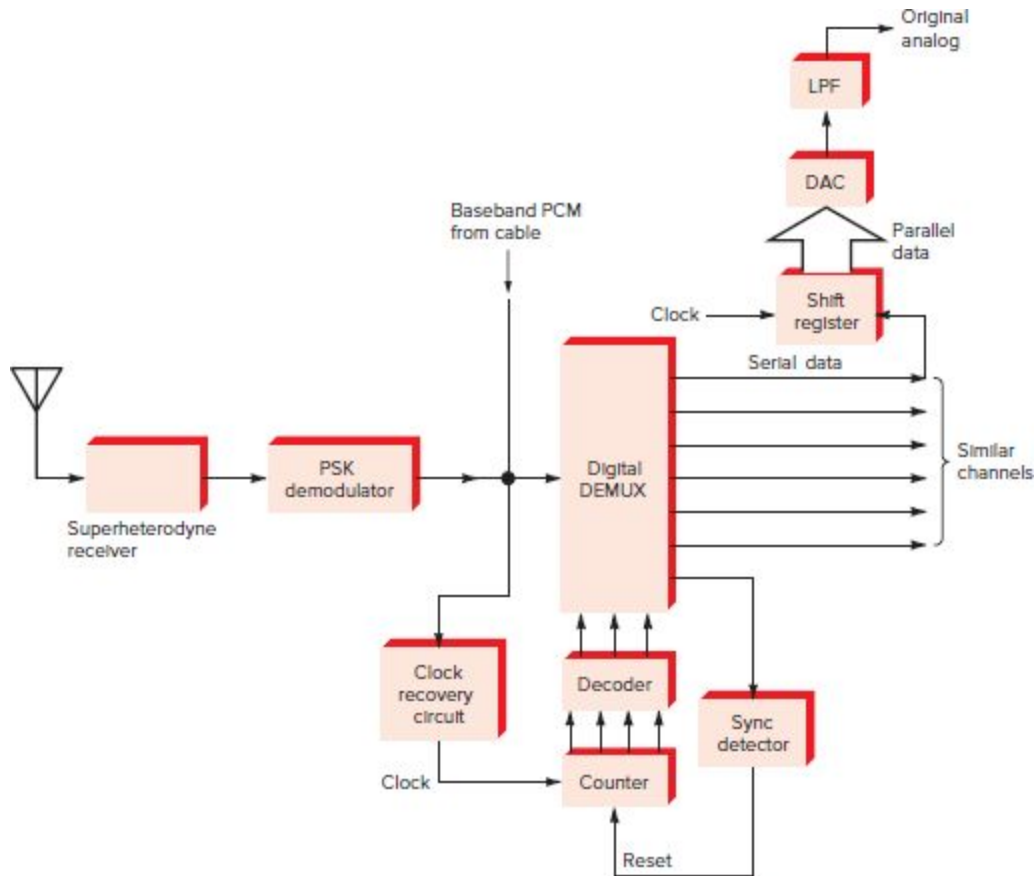
PCM Demultiplexers

page 418

At the receiving end of the communication link, the PCM signal is demultiplexed and converted back to the original data (see Fig. 11-20). The PCM baseband signal may come in over a cable, in which case the signal is regenerated and reshaped prior to being applied to the demultiplexer. Alternatively, if the PCM signal has modulated a carrier and is being transmitted by radio, the RF signal will be picked up by a receiver and then demodulated. The original serial PCM binary waveform is recovered and fed to a shaping circuit to clean up and rejuvenate the binary pulses. The original signal is then demultiplexed by means of a digital demultiplexer using AND or NAND gates. The binary counter and decoder driving the demultiplexer are kept in step with the receiver through a combination of clock recovery and sync pulse detector circuits similar to those used in PAM systems. The sync pulse is usually generated and sent at the end of each frame. The demultiplexed serial output signals are fed to a shift register for conversion to parallel data and sent to a D/A converter and then a low-pass filter. The shift register and D/A converter are usually part of a

codec. The result is a highly accurate reproduction of the original voice signal.

Figure 11-20 A PCM receiver-demultiplexer.



Keep in mind that all the multiplexing and demultiplexing circuits are usually in integrated form. In fact, both MUX and DEMUX circuits are combined on a single chip to form a TDM transceiver that is used at both ends of the communications link. The individual circuits are not accessible; however, you do have access to all the inputs and outputs that allow you to perform tests, measurements, and troubleshooting as required.

Example 11-2

A special PCM system uses 16 channels of data, one whose purpose is identification (ID) and synchronization. The sampling rate is 3.5 kHz. The word length is 6 bits. Find (a) the number of available data channels, (b) the number of bits per frame, and (c) the serial data rate.

- a. 16 (total no. of channels) - 1 (channel used for ID) = 15 (for data)
- b. Bits per frame = $6 \times 16 = 96$
- c. Serial data rate = sampling rate \times no. bits/frame = $3.5 \text{ kHz} \times 96 = 336 \text{ kHz}$

Digital Carrier Systems

The most widespread use of TDM is in the telephone system. All modern telephone systems use digital transmission via PCM and TDM. The only place where analog signals are still used is in the local loop—the connection between a telephone company's central office (CO) and the subscriber's telephone, known as the *customer premises equipment (CPE)*. All local and long-distance connections are digital. Years ago, the telephone companies developed a complete digital transmission system called the *T-carrier system*. It is used throughout the United States for all telephone calls and for the transmission of computer data including Internet access. Similar systems are used in Japan and Europe.

Customer premises equipment (CPE)

T-carrier system

The T-carrier system defines a range of PCM TDM systems with progressively faster data rates. The physical implementations of these systems are referred to as T-1, T-2, T-3, and T-4. The digital signals they carry are defined by the terms DS1, DS2, DS3, and DS4. It begins with the T-1 system, which multiplexes 24 basic DS1 digital voice signals

that are then multiplexed into larger and faster DS2, DS3, and DS4 signals for transmission. Usually T-1 transmission is by way of a dual twisted-pair cable or coaxial cable. Wireless transmission is also used. The T-2, T-3, and T-4 systems use coaxial cable, microwave radio, or fiber-optic cable transmission.

T-1 Systems

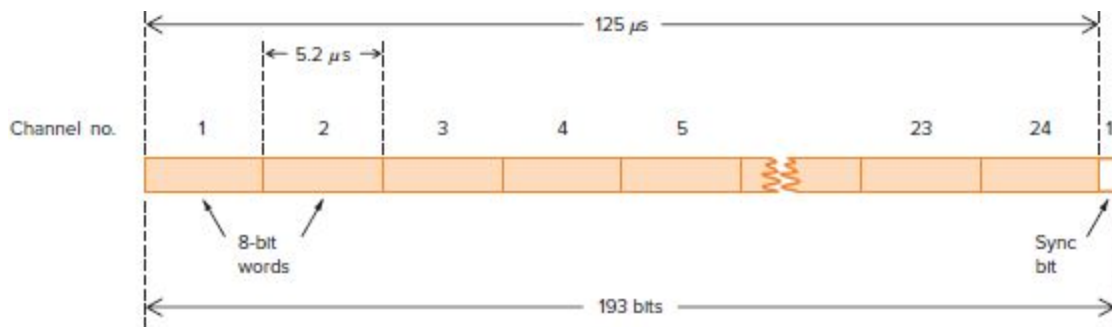
The most commonly used PCM system is the *T-1 system* developed by Bell Telephone for transmitting telephone conversations by high-speed digital links. The T-1 system multiplexes 24 voice channels onto a single line by using TDM techniques. Many T1 systems just transmit computer or other data rather than voice. Each serial digital word (8-bit words, 7 bits of magnitude, and 1 bit representing parity) from the 24 channels is then transmitted sequentially. Each frame is sampled at an 8-kHz rate, producing a $125\text{-}\mu\text{s}$ sampling interval. During the $125\text{-}\mu\text{s}$ interval between analog samples on each channel, 24 words of 8 bits, each representing one sample from each of the inputs, are transmitted. The channel sampling interval is $125\text{ }\mu\text{s}/24 = 5.2\text{ }\mu\text{s}$, which corresponds to a rate of 192 kHz. This represents a total of $24 \times 8 = 192$ bits. An additional bit—a frame sync pulse—is added to this stream to keep the transmitting and receiving signals in synchronization with each other. The 24 words of 8 bits and the synchronizing bit form one frame of 193 bits. This sequence is carried out repeatedly. The total bit rate for the multiplexed signal is $193 \times 8\text{ kHz} = 1544\text{ kHz}$ or 1.544 MHz . Fig. 11-21 shows one frame of a T-1 signal.

T-1 system

GOOD TO KNOW

Even though electronic multiplexers do not use mechanical parts to sample inputs, a complete cycle of input is still called a *frame*.

Figure 11-21 The T-1 frame format, serial data.



The T-1 signal can be transmitted via cable, coaxial cable, twisted-pair cable, or fiber-optic cable; or it can be used to modulate a carrier for radio transmission. For example, for long-distance telephone calls, T-1 signals are sent to microwave relay stations, where they frequency-modulate a carrier for transmission over long distances. Also T-1 signals are transmitted via satellite or fiber-optic cable.

T-Carrier Systems

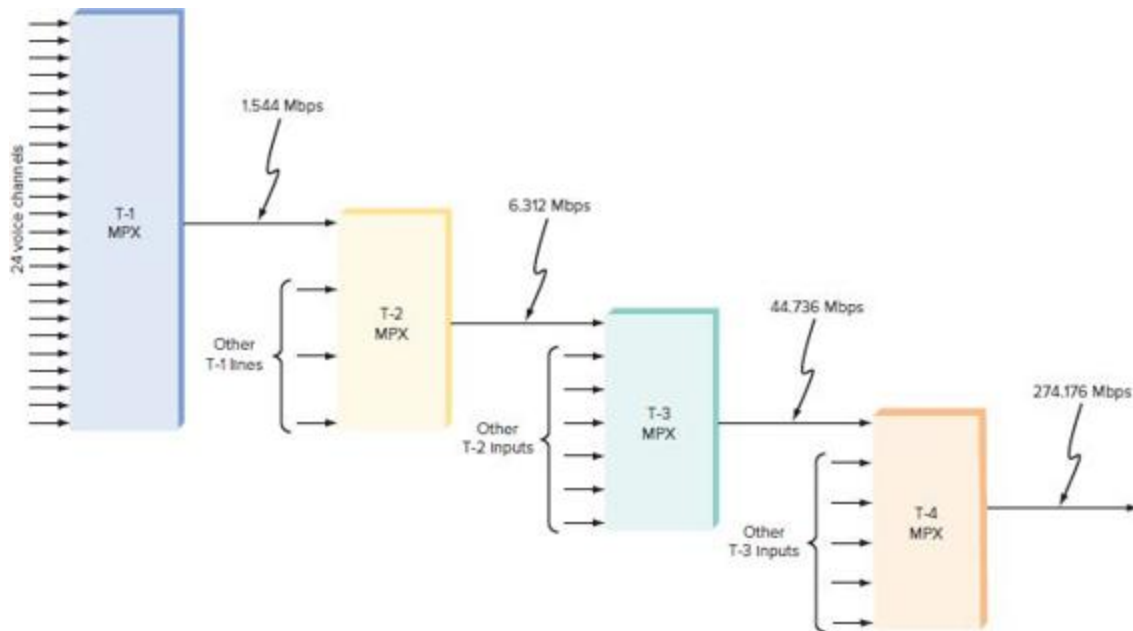
The T-1 systems transmit each voice signal at a 64-kbps rate. But they are also frequently used to transmit fewer than 24 inputs at a faster rate. For instance, a T-1 line can transmit a single source of computer data at a 1.544-Mbps rate. It can also transmit two data sources at a 722-kbps rate or four sources at a 386-kbps rate and so on. These are known as fractional T-1 lines.

T-2, T-3, and T-4 Systems

To produce greater capacity for voice traffic as well as computer data traffic, the DS1 signals may be further multiplexed into faster signals that carry even more

channels. Fig. 11-22 shows how four DS1 signals are multiplexed to form a DS2 signal. The result is a 6.312-Mbps serial digital signal containing $4 \times 24 = 96$ voice channels.

Figure 11-22 The T-carrier system.



The T-2 systems are not widely used except as a [page 421](#) stepping-stone to form DS3 signals. As Fig. 11-22 shows, seven DS2 outputs are combined in a T-3 multiplexer to generate a DS3 signal. This signal contains $7 \times 96 = 672$ voice channels at a data rate of 44.736 Mbps. Four DS3 signals may further be multiplexed to form a DS4 signal. The T-4 multiplexer output data rate is 274.176 Mbps.

The T-1 and T-3 lines are widely used by business and industry for telephone service as well as for digital data transmission. These are dedicated circuits leased from the telephone company and used only by the subscriber so that the full data rate is available. These lines are also used in various unmultiplexed forms to achieve fast Internet access or digital data transmission other than voice traffic. The T-2 and T-4 lines are rarely used by subscribers, but they are used within the telephone system itself.

11-5 Multiple Access

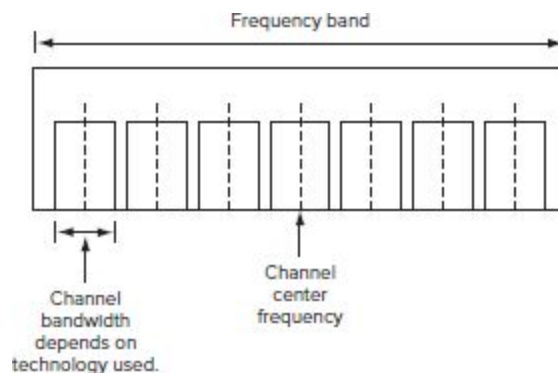
Multiple access refers to how spectrum users are allocated to their assigned frequency bands. Access methods are the ways in which many users share a limited amount of spectrum. These techniques are similar to multiplexing methods you learned earlier in this chapter. The procedures include FDMA, TDMA, CDMA, OFDMA, and SDMA.

Multiple access

Frequency-Division Multiple Access

FDMA systems are like frequency-division multiplexing in that they allow many users to share a block of spectrum by simply dividing it up into many smaller channels. (See Fig. 11-23.) Each channel of a band is given an assigned number or is designated by the center frequency of the channel. One subscriber is assigned to each channel. Typical channel widths are 1.25 MHz, 5 MHz, 10 MHz, 20 MHz, and even more in some systems. There are usually two similar bands, one for uplink and the other for downlink.

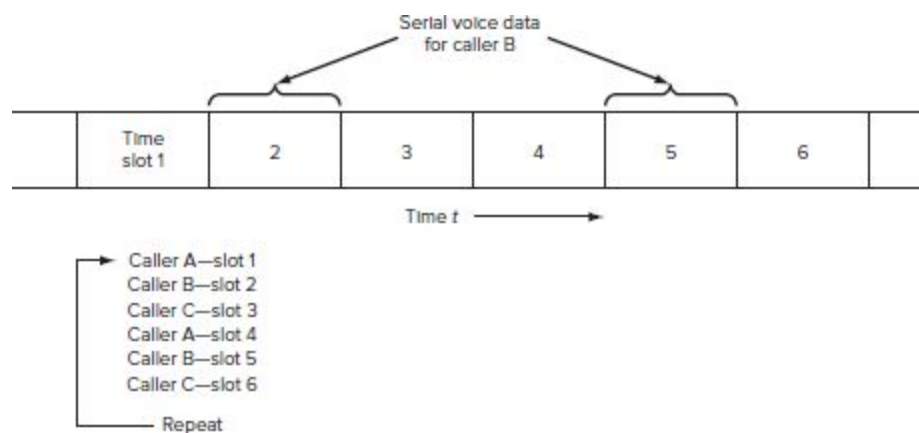
Figure 11-23 FDMA spectrum.



Time-Division Multiple Access

TDMA relies on digital signals and operates on a single channel. Multiple users use different time slots. If audio signals are sampled at a rapid rate, the data words can be interleaved into different time slots, as Fig. 11-24 shows. Of the two common TDMA systems in use, one allows three users per frequency channel and the other allows eight users per channel.

Figure 11-24 TDMA. Different callers use different time slots on the same channel. page 422



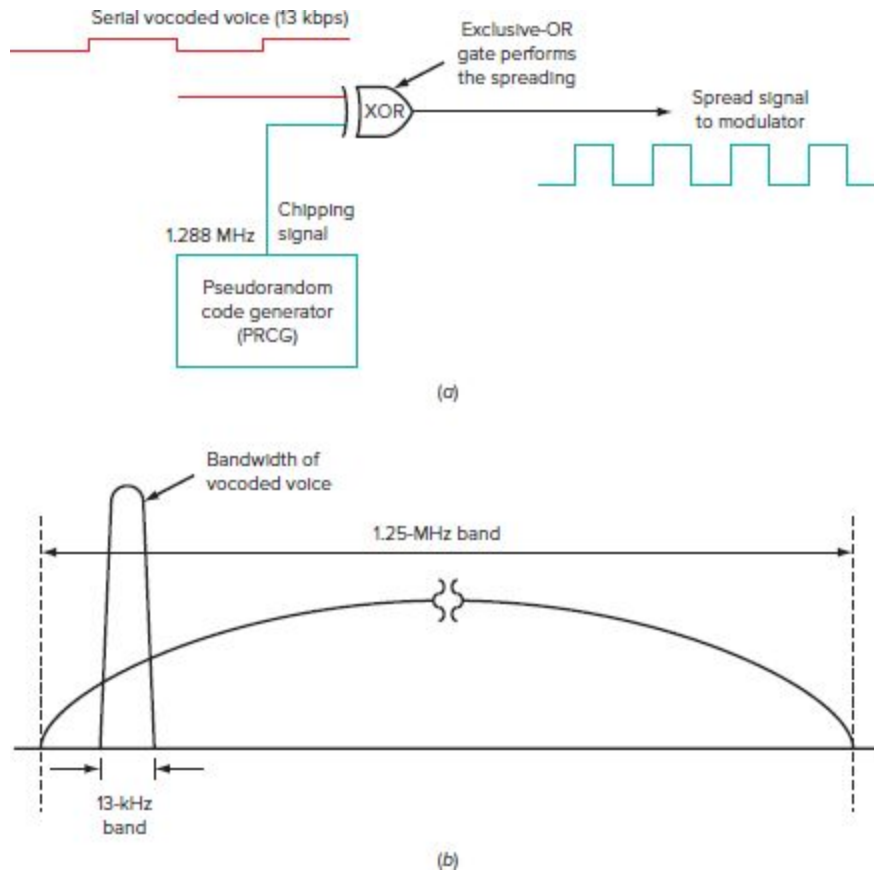
Code-Division Multiple Access

CDMA is just another name for spread spectrum. Some older cell phone systems used *direct sequence spread spectrum (DSSS)*. In one system the digital audio signals are encoded in a circuit called a vocoder to produce a 13-kbps serial digital compressed voice signal. It is then combined with a higher-frequency chipping signal. One system uses a 1.288-Mbps chipping signal to encode the audio, spreading the signal over a 1.25-MHz channel. (See Fig. 11-25.) With unique coding, up to 64 subscribers can share a 1.25-MHz channel. A similar technique is used with the wideband CDMA system of third-generation cell phones. A 3.84-Mbps chipping rate is used in a 5-MHz channel to accommodate multiple users. Some of the systems are still in use, but

gradually all are being phased out. Most cellular systems use 4G LTE and 5G is just coming on line.

direct sequence spread spectrum (DSSS)

Figure 11-25 CDMA. (a) Spreading the signal. (b) Resulting bandwidth.

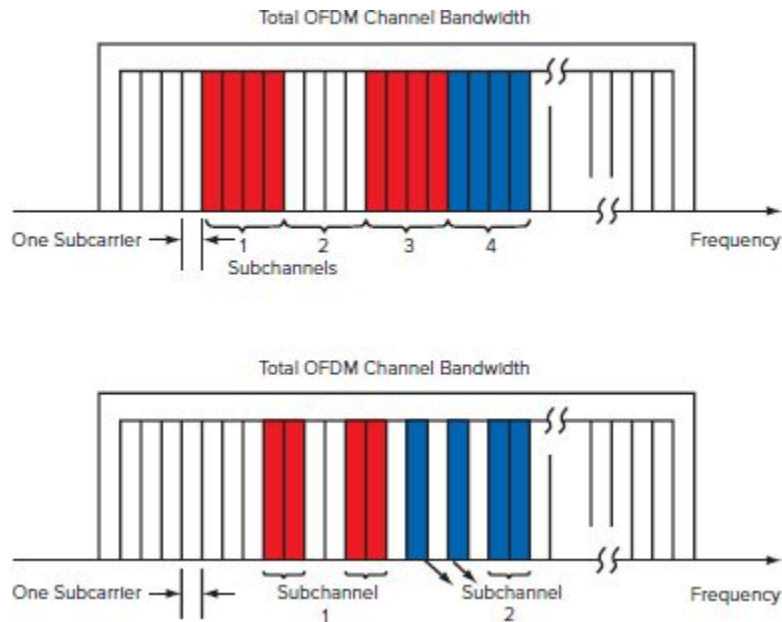


Orthogonal Frequency Division Multiplexing Access

OFDMA is the access method used with OFDM. OFDM uses hundreds, even thousands, of subcarriers in a wideband channel. This large number of subcarriers can be subdivided into smaller groups, and each group can be assigned to an individual user. In this way, many users can use the wideband channel assigned to the OFDM signal. Fig. 11-26 illustrates the principle. Groups of subcarriers are formed to

create a subchannel assigned to one user. In some systems, the subcarriers do not have to be contiguous, but instead might be spread around inside the total OFDM signal bandwidth.

Figure 11-26 The Concept of OFDMA.



Spatial-Division Multiple Access

This form of access is actually a variation of frequency reuse. In frequency reuse, individual frequency bands are shared by multiple base stations and users. This is possible by ensuring that one subscriber or base station does not interfere with any others. This is achieved by controlling such factors as transmission power, base station spacing, and antenna height and radiation patterns. With low-power and lower-height antennas, the range of a signal is restricted to only a mile or so. Furthermore, most base stations use sectorized antennas with 120-degree radiation patterns that transmit and receive over only a portion of the area they cover. (See Fig. 11-27.) In any given city, the

same frequencies are used over and over simply by keeping cell site base stations isolated from one another. Newer systems use highly directional antennas to pinpoint users and reject others on the same frequency. In Fig. 11-28, very narrow antenna beams at the cell site base station are able to lock in on one subscriber but block another while both subscribers are using the same frequency. Controlled antenna radiation patterns direct the signals to different locations in such a way that signals sharing the same frequency channel do not interfere with one another. Modern antenna technology using adaptive phased arrays is making this possible. Such antennas allow cell phone carriers to expand the number of subscribers by more aggressive frequency reuse because finer discrimination can be achieved with the antennas.

Figure 11-27 Horizontal antenna radiation pattern of a common cell site showing 120° sectors that permit frequency reuse. page 424

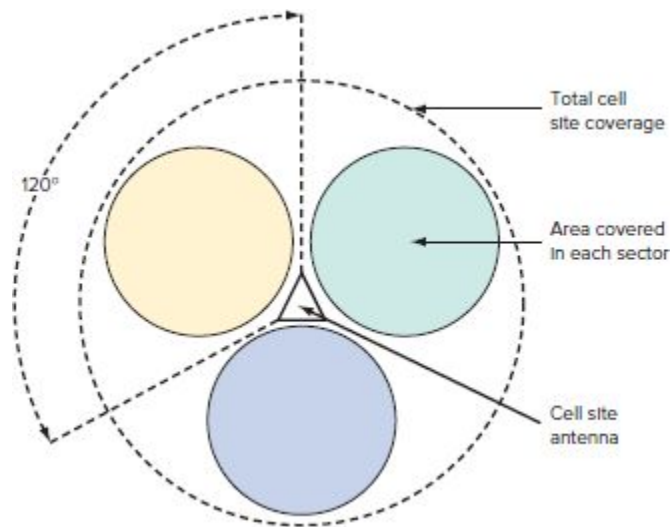
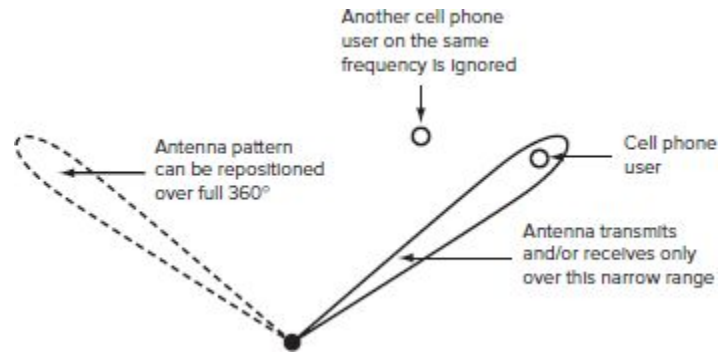


Figure 11-28 The concept of SDMA using highly directional antennas.



An alternate method is the use of antenna polarization to keep signals separate so they may share the same frequency band. Antennas with horizontal polarization do not receive signals transmitted with vertical polarization very well and vice versa. Some satellites use this method. You will learn more about polarization in Chap. 17.

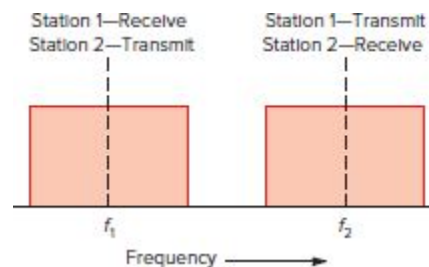
11-6 Duplexing

Duplexing is the method by which two-way communications are handled. Remember that half duplexing means that the two stations communicating take turns transmitting and receiving. Mobile, marine, and aircraft radios use half duplexing. Full duplexing means that the two stations can send and receive simultaneously. Full duplex is certainly preferred, as in phone calls. But not all systems require a simultaneous send/receive capability.

As with multiplexing, there are two ways to [page 425](#) provide duplexing—frequency-division duplexing (FDD) and time-division duplexing (TDD). The simplest and perhaps best way to provide full duplex is to use FDD, which utilizes two separate channels, one for send and another for receive. Fig. 11-29 shows the concept. The communicating parties are called station 1 and station 2. Station 1 uses the channel around f_1 for receiving only and the channel around

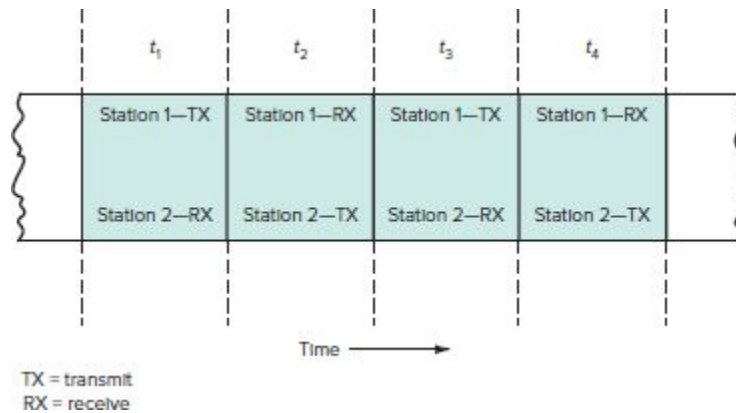
f_2 for transmitting. Station 2 uses f_1 for transmitting and f_2 for receiving. By spacing the two channels far enough apart, the transmitter will not interfere with the receiver. Selective filters keep the signals separated. The big disadvantage of this method is the extra spectrum space required. Spectrum space is scarce and expensive. Yet most cell phone systems use this method because it is the easiest to implement and the most reliable.

Figure 11-29 FDD.



TDD means that signals are transmitted simultaneously on a single channel by interleaving them in different time slots. For example, alternating time slots are devoted to transmitting and receiving. This is illustrated in Fig. 11-30. During time slot t_1 , station 1 is transmitting (TX) while station 2 is receiving (RX). Then during time slot t_2 , station 1 is receiving while station 2 is transmitting. Each time slot may contain one data word, such as 1 byte from an A/D converter or a D/A converter. As long as the serial data rate is high enough, a user will never know the difference.

Figure 11-30 TDD.



The primary benefit of TDD is that only one channel is needed. It saves spectrum space and cost. On the other hand, the TDD method is harder to implement. The key to making it work is precise timing and synchronization between transmitter and receiver. Special synchronizing pulses or frame sequences are needed to constantly ensure that timing will not result in collisions between transmit and receive. Several of the newer third-generation cell phone systems may use TDD.

CHAPTER REVIEW

Online Activity

11-1 Understanding Quadrature Multiplexing

Objective: To determine what quadrature multiplexing is and how it works

Procedure:

1. Do an Internet search for the term *quadrature multiplexing*.
2. Answer the following questions.

Questions:

1. Explain briefly how quadrature multiplexing works.
2. How many signals can be multiplexed?
3. Draw a simplified block diagram of a quadrature multiplexer and demultiplexer.
4. What does “quadrature” mean?
5. Is quadrature multiplexing FDM or TDM? Explain.
6. State one common application of quadrature multiplexing.

Questions

1. Is multiplexing the process of transmitting multiple signals over multiple channels?
2. State the primary benefit of multiplexing.
3. What is the name of the circuit used at the receiver to recover multiplexed signals?
4. What is the basic principle of FDM?
5. What circuit combines the multiple signals in an FDM system?
6. What is the name of the circuit to which the signals to be frequency-multiplexed are applied?
7. What kind of modulation do most telemetry multiplex systems use?
8. Name three places where telemetry is used.
9. Define spatial multiplexing. Where is it used?
10. What is the mathematical designation of the monaural signal in FM stereo multiplexing?
11. Name the four signals transmitted in FM stereo multiplex.
12. What type of modulation is used on the $L - R$ channel?

- 13.** What type of modulation is used by the SCA signals in stereo systems?
- 14.** What is the basic circuit used for demultiplexing in FDM systems?
- 15.** In TDM, how do multiple signals share a channel?
- 16.** What type of modulation is produced when an analog signal is sampled at high speed?
- 17.** What type of circuit is used to re-create the clock pulses at the receiver in a PAM system?
- 18.** In a PAM system, how are the multiplexer and demultiplexer kept in step with each other?
- 19.** What is the time period called in a PAM or PCM system when all channels are sampled once?
- 20.** What circuit is used to demodulate a PAM signal?
- 21.** What type of switch is used in an electronic multiplexer?
- 22.** How is the desired input to a time-division multiplexer selected?
- 23.** How is a PAM signal transmitted?
- 24.** What type of clock recovery circuit tracks PAM frequency variations?
- 25.** How are analog signals transmitted in a PCM system?
- 26.** What is the name of the IC that converts A/D and D/A signals in a PCM telephone system?
- 27.** What is the standard audio sampling rate in a PCM telephone system?
- 28.** What is the standard word size in a PCM telephone system?
- 29.** What is the main benefit of PCM over PAM, FM, and other modulation techniques?
- 30.** What is the total number of bits in one T-1 frame?
- 31.** Does a T-1 system use baseband or broadband techniques? Explain.
- 32.** Define half and full duplexing.
- 33.** Explain the difference between FDD and TDD.
- 34.** Discuss the pros and cons of FDD versus TDD.

35. Which access method conserves the most spectrum space?
36. Which access method is the biggest spectrum user?
37. Explain frequency reuse.
38. What is the basic technique that makes spatial access possible?
39. What causes a CDMA signal to be spread over a wide bandwidth?
40. Can multiple access methods be combined? Explain.

Problems

page 427

1. How many 6-MHz-wide TV channels can be multiplexed on an 800-MHz coaxial cable? ♦
2. What is the minimum sampling rate for a signal with a 14-kHz bandwidth?
3. State the bit rate and maximum number of channels in T-1 and T-3 telephone TDM systems. ♦

♦ *Answers to Selected Problems follow Chap. 23.*

Critical Thinking

1. How long does it take to transmit one PCM frame with 16 bytes, no synchronization, and a clock rate of 46 MHz?
2. A special PCM system uses 12-bit words and 32 channels. Data is transmitted serially with no sync pulse. The time duration for 1 bit is 488.28 ns. How many bits per frame is transmitted and at what rate?
3. Can FDM be used with binary information signals? Explain.

Digital and Software-Defined Radios

One of the major developments in communications technology over the past decade is the increased use of digital techniques and the creation of the software-defined radio. Faster digital circuits, improved analog-to-digital and digital-to-analog converters, and the widespread adoption of digital signal processing have manifested superior radios that have essentially replaced most conventional analog radios at this time. This chapter summarizes the software-defined radio approach, illustrates the most used configurations, and gives examples of a variety of digital SDR radios. The radios you use now, including your smartphone, are primarily digital and some form of SDR.

Objectives

After completing this chapter, you will be able to:

- Define digital radio.
- Define software-defined radio (SDR).
- State the primary benefits of an SDR over more conventional radio techniques.
- Name the basic devices that implement the digital computation part of an SDR, and then compare and

contrast them.

- State the purpose and content of a radio frequency front end.
- Recognize three basic architectures of an SDR.
- Explain the operation of an SDR receiver and transmitter.
- Name three examples of SDRs we all use daily.
- Name three digital radio standards not associated with cellular, Wi-Fi, or Bluetooth.
- Explain the concept of a cognitive radio.

12-1 Defining the Digital and Software-Defined Radios

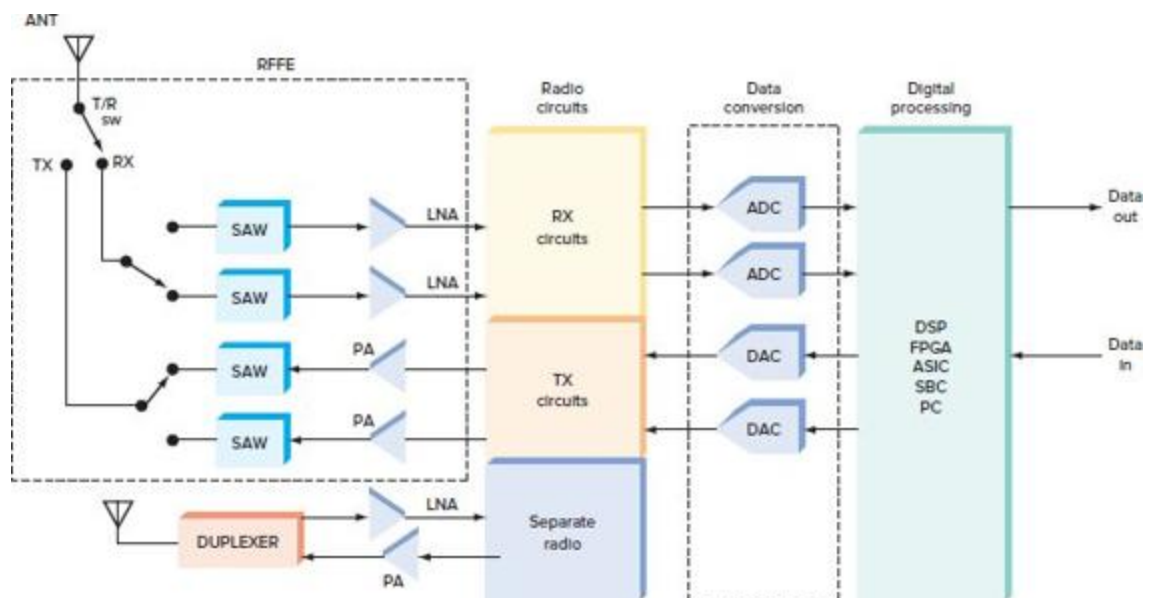
A digital radio is one that uses digital techniques and modulation to generate an RF signal with baseband serial data and digital demodulation to recover the baseband output. As it turns out, most digital radios are also software-defined radios.

An SDR is a radio that is partially implemented with software. The SDR is a mix of both hardware and software where the basic radio functions have been divided into separate hardware and software segments. Early SDRs were still mostly analog radio circuits with added digital features. As digital components and integrated-circuits (ICs) have gotten smaller and faster, they have been able to take the place of more traditional analog radio functions. The technology has improved to the extent that more than 50 percent of any modern radio is digital. A 100 percent digital radio is not possible because wireless is still totally analog, but the point has been reached where most radio functions are digital depending on the frequency of operation.

The modern SDR is partitioned, as shown in Fig. 12-1. The *radio frequency front end (RFFE)* is the analog segment of an SDR. For the receiver, the antenna delivers the analog wireless signal to a low-noise amplifier (LNA), surface acoustic wave (SAW) filters that define the frequency of operation, and switches to reconfigure the front end to change frequencies. A diplexer or transmit/receive (T/R) switch is used to share the single antenna between the receiver and the transmitter. The transmitter part of the RFFE is also analog. The main components are RF power amplifiers (PAs) to boost signal-level and SAW filters to set the frequency of operation.

Radio frequency front end (RFFE)

Figure 12-1 The main components of an SDR.



Depending on the architecture, additional radio circuits can be used. These may be mixers to downconvert the received signals or upconvert the signals to be transmitted. If mixers are used, a local oscillator will be present to provide tuning. Today, the local oscillator is a phase-locked

loop (PLL) or direct digital synthesizer (DDS) that sets to final operating frequency.

The outputs of the receiver circuits are sent to the [page 430](#) data conversion section where they are converted by an analog-to-digital converter (ADC) into a digital version of the received analog signal. Signals to be transmitted are converted by a digital-to-analog converter (DAC) into the analog signals that drive the PAs.

Also shown in Fig. 12-1 is the data conversion section containing the ADC and DAC circuits that handle the signals to and from the digital processing segment of the SDR. The digital processing device can be a conventional processor, a special digital signal processor (DSP) or a field-programmable gate array (FPGA), an application-specific integrated circuit (ASIC), a personal computer (PC) or a single-board computer (SBC). The digital part of the SDR provides complete handling of the baseband signals to be transmitted or received. The baseband data-in or data-out input may be voice, video, or just some kind of digital data from sensors or other sources.

GOOD TO KNOW

Two good examples of modern SDRs are the ubiquitous smartphone and the wireless LAN Wi-Fi routers.

12-2 Making SDR Possible

What has made SDR viable? Mainly the credit goes to continuing advances in semiconductor technology that has created smaller and faster digital circuitry. There are two parts to this, the data conversion and the processing.

Digital processing is not possible unless we can get the analog radio signal into digital form. This is possible as

analog-to-digital converters have gotten faster and offered greater resolution over the years. Conversion rates are well into the giga-samples per second (GSPS) range. The same is true for digital-to-analog converters in which resolutions of 14 bits or more are used. Prior to these fast converters, analog mixers had to be used to downconvert and upconvert the analog signals to an intermediate frequency (IF) to accommodate the previously slower data converters.

Once the analog radio signal is in digital form, it is processed by a computing device. Most DSP was initially accomplished by special DSP computer chips made by Analog Devices, Motorola (which became Freescale, now NXP), Texas Instruments, and a few others. These processors use the Harvard architecture with separate program and data memories. They also have special instructions that directly implement DSP-related operations such as the add and multiply instruction.

While these DSP devices are still available and used, other alternatives have emerged. For example, standard microcontrollers have evolved to include the Harvard memory architecture as well as some additions to their instruction set that make DSP programming possible. Processors from ARM and Microchip Technology have such features.

Another option is the field-programmable gate array. This is essentially a large chip with hundreds or even thousands of digital circuits that can be interconnected internally by programming them through software-redefinable logic. This feature allows design engineers to implement their special processing operations with hardwired logic rather than requiring them to program these operations on a standard processor. The advantage of the FPGA is that it is much faster than most processors since the processing algorithm can be implemented directly at the gate level. Yet, the FPGA can also be reprogrammed for modified functions.

Special SDR versions with a fixed function may use an application-specific integrated circuit for the digital processing. The ASIC is unique hardwired logic and cannot be changed.

Other processing options include a single-board computer (SBC) normally used for embedded products and a PC. For example, the digital output of the radio can often be sent over a USB port to a PC where the PC processor handles the processing power.

GOOD TO KNOW

SDRs process incoming and outgoing signals in real time, that is, as they occur.

A key point regarding SDRs is that the digital segment must be fast enough to process the signals in real time. The digitized signals are not stored to be processed later: They are processed as they occur. High-speed processors are essential for SDRs.

12-3 Replacing Analog Functions with Digital Processes

Since many if not most of wireless signal processes can be described mathematically, they can be programmed on a microcomputer. The mathematical expressions are transformed into a suitable algorithm and software code written to implement it. Here are the main processes that can be performed digitally once the analog signal has been digitized.

- **Filtering.** Virtually any type of filter can be programmed including low pass, high pass, bandpass, and band reject. And the variations such as filter type (Butterworth, Chebyshev, etc.) can be included. Such digital filters are extremely effective as they can provide selective response curves not possible with standard analog LC filters.
- **Modulation.** The process of modifying a carrier according to some data signal to be transmitted can be readily implemented in software. All the usual types are possible: AM, FM, PM, ASK, OOK, FSK, BPSK, QPSK, QAM, OFDM and others.
- **Demodulation.** Recovering the transmitted information with a DSP demodulator algorithm is another common DSP SDR process.
- **Compression.** Compression refers to the reduction in size of digital data signals to make it smaller so that it can be stored in less space or transmitted faster.
- **Equalization.** This is the process of modifying a signal prior to its transmission in such a way that it compensates for some negative effect that occurs during transmission. An example is changing the signal to be transmitted such that it overcomes the distortion and attenuation of a long copper or fiber-optic cable.
- **Mixing.** Various forms of mixing are possible digitally. Digital mixing is downconversion or upconversion.
- **Decimation.** Reducing data or sampling rate digitally.

You should note what is not covered here. That main function is amplification. That's why SDRs have analog front ends. Both LNAs and RF power amplifiers cannot be digital. Also absent is filtering especially at the very high operating frequencies of SDRs today. For instance, DSP filters cannot

perform fast enough to replace an SAW filter. DSP filters have an upper frequency limitation due to the processing speed of the DSP device.

12-4 The Benefits of SDRs

The main advantage of an SDR over a more conventional analog radio is that it can be reprogrammed quickly. That permits changing the function and characteristics of the radio. Features like operating frequency, type of modulation, protocols, bandwidth, data rate, and the like can be changed without hardware revisions to the radio. Loading new programs into the DSP's memory is generally fast and easy. If the radio is configured properly, it can be a more versatile multifunction communications device. For example, fire and police departments all use radios to communicate with each other. However, they often use different frequencies, modulation schemes, and even different protocols for digital texting. With a versatile SDR, both radio systems can be accommodated. Software for both fire and police radios are stored in the DSP and can be switched to rapidly enable seamless communications with full interoperability.

This ability to change the nature of the radio has also found its application in government and military communications. If the analog front end is made more generic and broadband, the radio can be changed to become whatever is needed by just accessing different software. Even over-the-air downloads of software can be used to update a radio to the latest standard or change an application on the fly.

SDRs offer frequency agility and protocol page 432 standard independence. An appropriately designed SDR can serve many users in multiple situations. One

example is the military's Joint Tactical Radio System (JTRS) that can serve virtually all organizations with a single radio on any frequency with any waveform and protocol.

GOOD TO KNOW

The real benefits of an SDR may be its superior performance and its smaller size owing to its digital circuitry.

While SDRs can be changed quickly, that may not be necessary. Instead, the real benefits of SDRs are improved performance and flexibility. DSP filtering and other processes are typically superior to equivalent analog techniques. As A/D converters and DSPs get faster, it is expected that more receiver functions will become software-defined. The ultimate SDR is an LNA connected to an antenna and whose output goes directly to a fast A/D converter. All mixing, filtering, demodulation, and other operations are performed in DSP software.

Software-defined radio (SDR)

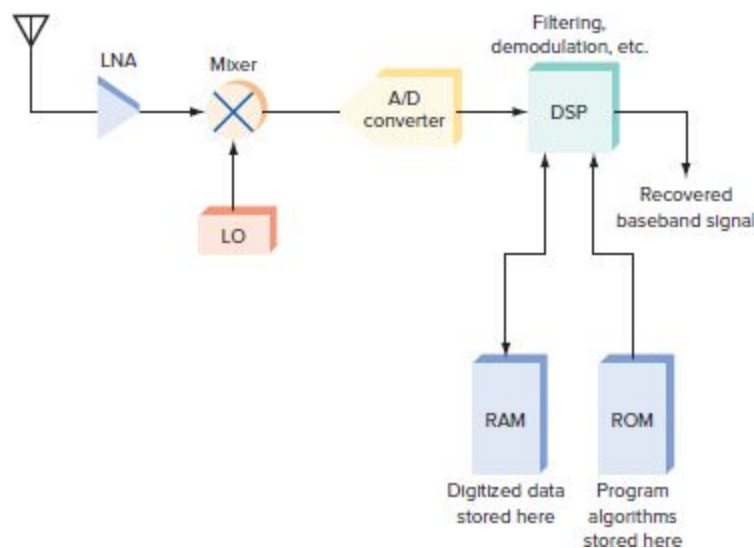
12-5 Software-Defined Radio: Receivers

The Superheterodyne SDR

Fig. 12-2 is a general block diagram of a superheterodyne SDR. As do most receivers, the front end includes an LNA, which provides initial amplification and tuned circuits to select the desired receiver frequency. The mixer down-converts the LNA output signal to an intermediate frequency. The IF signal is then digitized by an analog-to-digital (A/D) converter. The binary words representing the IF

signal with its modulation may be buffered in RAM. A DSP or FPGA then performs additional filtering, demodulation, and baseband operations (voice decoding, companding, etc.). The digitized signal may also be processed in real time, which is the computing that occurs between the digital samples.

Figure 12-2 A superheterodyne software-defined radio.



The fastest A/D converters available today can digitize at rates up to several gigahertz (GHz). To meet the Nyquist requirement, this means that the highest frequency that can be digitized is less than half the sampling frequency. The SDR must often down-convert the incoming signal to a lower IF to ensure that the DSP is fast enough to perform the DSP math in real time. Although DSP chips can operate at clock rates of up to 1 GHz or more, the time it takes to execute even at these speeds limits the IF to a lower value. Practical values are in the 40- to 500-MHz range, where the A/D converter and the DSP can handle the computing chores.

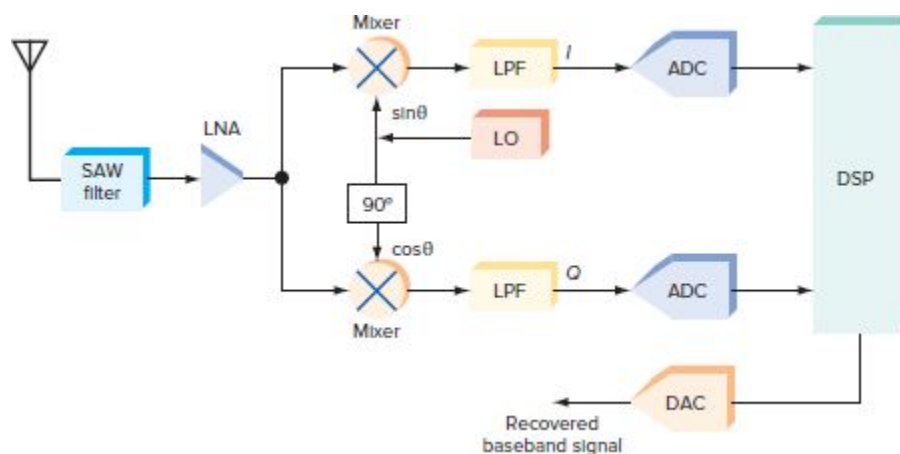
An alternative is to use a dual-conversion SDR. page 433
The first mixer converts the signal to an IF that is then fed to the A/D converter, where it digitizes the data.

The DSP chip is then used to down-convert the signal to an even lower IF. This second mixing or down conversion is done digitally. It is similar to the process of aliasing, in which a lower difference frequency is generated. From there the DSP performs the filtering and demodulation duties. For some designs, the critical ADC sampling frequency can be lowered using undersampling techniques as described in Chap. 7. The filtering, demodulation, and other processes are, of course, defined by mathematical algorithms that are in turn programmed with a computer language. The resulting programs are stored in the DSP ROM or the FPGA RAM.

Direct Conversion SDR Receivers

Another popular configuration is the direct conversion receiver. Also known as a zero-IF receiver, the direct conversion receiver does not use an IF section. Fig. 12-3 shows a direct conversion receiver that is typical of those using digital modulation. The incoming signal is sent to an SAW filter that provides some initial selectivity.

Figure 12-3 A direct conversion receiver for FM, FSK, PSK, and digital modulation.



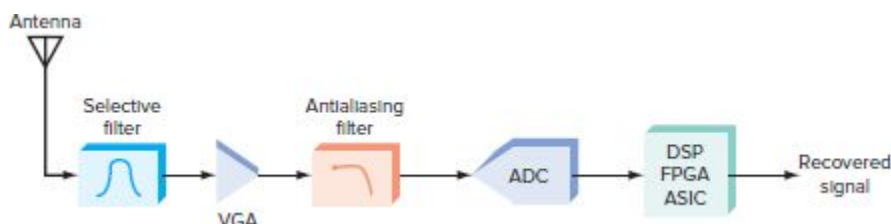
The LNA provides amplification. The LNA output is fed to two mixers. The local oscillator (LO) signal, usually from a synthesizer, is fed directly to the upper mixer ($\sin \Theta$) and to a 90° phase shifter that, in turn, supplies the lower mixer ($\cos \Theta$). Remember, the LO frequency is equal to the incoming signal frequency. The mixers provide baseband signals at their outputs. The double LO frequency signals resulting from mixing are removed with the low-pass filters. The two baseband signals are separated in phase by 90° . The upper signal is usually referred to as the in-phase I signal while the lower signal is referred to as the quadrature Q signal. (Quadrature means a 90° phase difference.) The I and Q signals are then sent to ADCs where they are converted to binary signals. The binary signals are then processed by a digital signal processor. The DSP contains a prestored subroutine that performs the demodulation. The demodulation algorithm requires the two quadrature signals in order to have enough data to distinguish phase and frequency changes in the original signal resulting from modulation. The output from the demodulation subroutine is fed to an external DAC where the original modulating signal is reproduced. This I - Q direct conversion architecture is now one of the most common receiver architectures used in SDRs.

Direct Sampling Receiver

The ultimate SDR is an LNA connected to an antenna and whose output goes directly to a fast A/D converter. All mixing, filtering, demodulation, and other operations are performed in DSP software. This type of SDR goes one step further in eliminating most of the analog front end of a receiver. Fig. 12-4 shows the approach. The incoming signal is filtered to select the frequency range and is amplified in a variable gain amplifier (VGA) that provides gain as well as

automatic gain control (AGC). Then the whole received signal is filtered in a low-pass antialiasing filter and is then digitized. The remainder of the processing is performed digitally in a DSP, FPGA, or ASIC. What makes such a receiver possible are the faster ADCs available. These can sample at rates of up to 1 gigasamples per second (GS/s) or so with 10- to 14-bit resolution.

Figure 12-4 A basic direct sampling SDR.



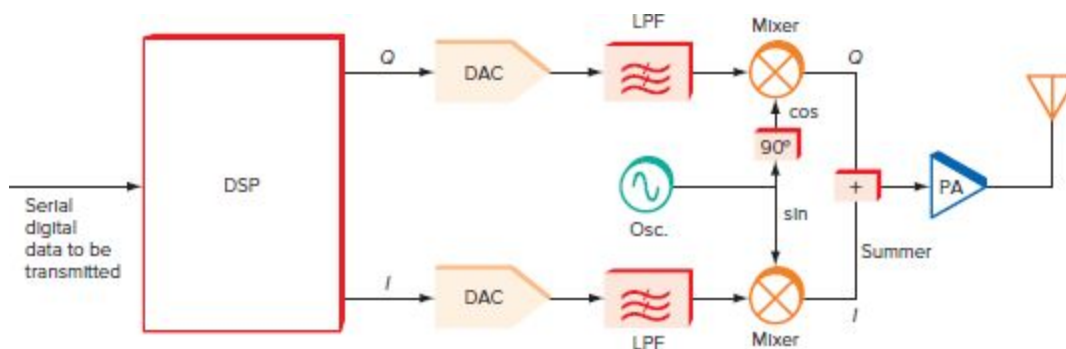
12-6 Software-Defined Radio: Transmitters

The SDR transmitter produces a carrier and modulates it, and then converts it to the final frequency. Most modern digital radios, such as cell phones, use DSP to produce the modulation and related processing of the data to be transmitted. Refer to Fig. 12-5. The serial data representing the information to be transmitted is sent to the DSP, which then generates two data streams, I and Q, that are then converted to RF for transmission. The data paths from the DSP chip are sent to DACs where they are translated to equivalent analog signals. The analog signals are filtered in *low-pass filters (LPFs)* and then applied to mixers that will up-convert them to the final output frequency. The mixers receive their second inputs from an oscillator or a frequency synthesizer that selects the operating frequency. Note that the oscillator signals are in quadrature; i.e., one is shifted

90° from the other. One is a sine wave, and the other is a cosine wave. The lower signal is referred to as the in-phase (*I*) signal and the other as the quadrature (*Q*) signal. The output signals from the mixers are then added, and the result is amplified and transmitted by the power amplifier. Two quadrature signals are needed at the receiver to recover the signal and demodulate it in a DSP chip. This configuration works for any type of modulation as all of the modulation is done with mathematical algorithms.

Low-pass filter (LPF)

Figure 12-5 Modern digital transmitter.



12-7 A Survey of Software-Defined Radios

page 435

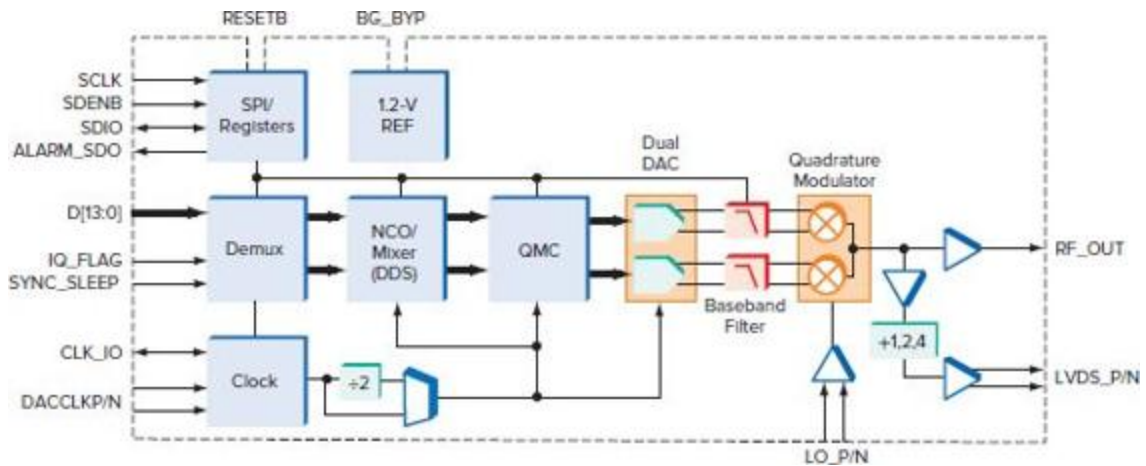
This section provides an overview and summary of some of the SDR radios in use today.

SDR Transmitter

The typical transmitter today is part of what we call a software-defined radio. The information to be transmitted is in digital form and will be modulated on to a carrier using digital techniques. The modulation is usually by DSP;

therefore, it is a form of software. Most of the circuitry in the transmitter is digital or software-derived. An example of an integrated circuit that provides most of the functions for an SDR transmitter is the Texas Instruments AFE7070, shown in Fig. 12-6.

Figure 12-6 The Texas Instruments AFE7070 is a representative digital radio transmitter IC.



The data to be transmitted is organized and modulated by a DSP or FPGA into in phase (I) and quadrature (Q) components. These are in the form of parallel 14-bit words that are applied alternately to the IC inputs labeled D(13:0). They are demultiplexed into the I and Q streams and applied to a numerically controlled oscillator (NCO) of the direct digital synthesis (DDS) type for additional signal generation or mixing operations. The I and Q streams are then sent to a quadrature modulator correction (QMC) circuit that provides a way to match their gain, phase, and offset values. The I and Q signals must be perfectly equal and balanced to provide the optimum error-free transmission.

The I and Q signals then go to a pair of 14-bit DACs where they are converted into equivalent analog I and Q signals. These are filtered in a pair of low-pass filters and applied to a quadrature modulator that mixes them with the carrier

signal from an external local oscillator (LO) or frequency synthesizer supplied externally. This LO signal is applied to pin LO_PIN. The mixer outputs are added together to form the final modulated analog signal to be transmitted. The signal is amplified and appears at the RF_OUT pin. It is used to drive the final external power amplifier before going to the antenna.

The other circuitry in the chip supports the main transmitter circuits. The serial peripheral interface (SPI) is a standard interface used to connect the chip to an external microcontroller and memory where data for the programming registers is generated and stored. The serial data comes in on pin SDIO.

All of the other circuit functions are programmed for the desired outcome by register codes. The clock input CLK_IO is the master timing signal that controls all other circuits as well. On the output, the analog signal is converted into a digital signal and divided by 1, 2, or 4 to create an external clock signal if needed.

The AFE7070 and multiple other variations are page 436 used in low-power compact SDRs of any type and small cellular base stations. It can operate anywhere in the 100 MHz to 2.7 GHz frequency range. For further details on the chip, find the data sheet at the Texas Instruments website: www.ti.com.

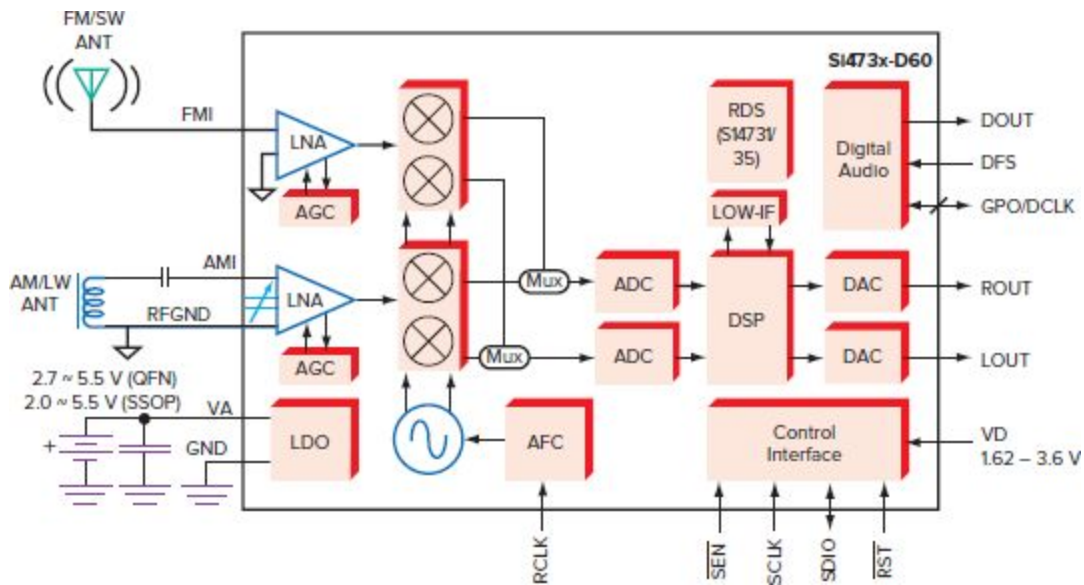
IC AM/FM/SW Radio

Even the oldest and most common radios have now become SDRs. AM, FM, and shortwave radios that heretofore were totally analog are now digital. All forms of radios from portables to car radios are available as a digital IC. For instance, Silicon Laboratories offers multiple variations like their Si473x-D60 IC that is a good example of a modern IC

receiver. It is designed to implement standard AM and FM and FM analog radios as well as shortwave (SW) and long-wave (LW) radios. It is made of silicon CMOS and contains all of the necessary circuitry except for that needed for the audio output. It is housed in a 20-pin surface-mount plastic package that measures only 3 mm × 3 mm.

A block diagram of this receiver is given in Fig. 12-7. It is essentially two receivers, one for AM and SW and the other for FM. The AM receiver covers the 520- to 1710-kHz range. The shortwave coverage (also AM) extends from 2.3 to 26.1 MHz. The long-wave coverage is from 153 to 279 kHz. The FM receiver covers the 64- to 108-MHz range.

Figure 12-7 Functional block diagram of Silicon Labs si473x-D60 integrated circuit AM/FM/SW/LW receiver.



The chip operates from a dc power source in the 2.7- to 5.5-V range. The dc is applied to the VA pin along with an external bypass capacitor. This voltage is regulated by an internal low dropout (LDO) regulator. A separate digital and I/O supply of 1.62 to 3.6 V is needed at pin VD.

In the FM part of the receiver, an LNA amplifies the signal input from an antenna connected to the FMI pin. AGC is

used to control the gain. The signal is then sent to a pair of mixers connected as an image-reject mixer that down-converts the incoming RF down to a low IF of 125 kHz. The local oscillator is an on-chip PLL synthesizer. The synthesizer uses automatic frequency control (AFC) and is locked to an external 32.768-kHz reference clock (RCLK). A 32.768-kHz crystal is external to the chip. FM tuning is in 10-kHz steps.

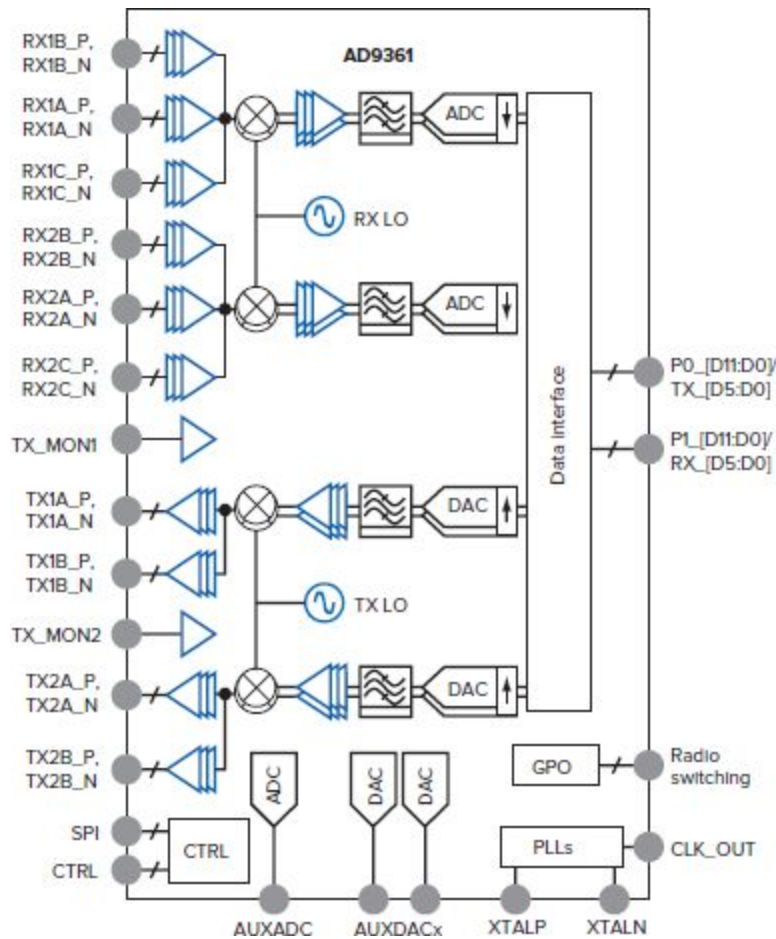
A pair of multiplexers (Mux) selects the FM I and Q signals from the mixers and sends them to a pair of analog-to-digital converters. The ADC outputs go to a DSP where the low IF filtering, demodulation, de-emphasis, stereo processing, and other operations take place. The digital outputs go to DACs that reproduce the analog stereo left and right audio output signals at the ROUT and LOUT pins. This chip can also output serial digital audio signals (DOUTs) in a variety of formats similar to CD audio. The digital audio signals may be formatted for 8, 16, 20, or 24 bits at standard sampling rates of 32 kHz, 44.1 kHz, or 48 kHz.

The AM/SW/LW receiver is similar, with input from [page 437](#) a loop antenna at pin AMI to an LNA and image-reject mixer. The multiplexers send the mixer I and Q outputs to the ADCs and then to the DSP, where demodulation occurs. AM, SW, and LW tuning is in 1-kHz steps. The tuning for both receivers is accomplished digitally by an external microcontroller by way of the on-chip control interface. The interface signals use the I²C bus with its SCLK and SDIO signals. Another feature of the chip is the inclusion of a Radio Data System (RDS) circuit that allows broadcast stations to send station identification, song titles, and other information to a display on the receiver.

Wireless Transceiver

Fig. 12-8 shows a transceiver IC designed for cellular base stations or other wireless equipment. It is actually two transceivers in one chip so that the base station can implement multiple input multiple output (MIMO).

Figure 12-8 A dual IC transceiver (Analog Devices AD9361).



MIMO is a technique of using two or more antennas, transmitters, and receivers operating on the same frequency to minimize signal-fading effects for more reliable operation and to multiply the digital data speed. MIMO will be explained in Chap. 17.

This Analog Devices AD9361 transceiver chip has an operating frequency range of 70 MHz to 6 GHz. The channel bandwidth can be set anywhere in the range of 200 kHz to

56 MHz. The upper segment of Fig. 12-8 represents the two receivers (RX). Three LNAs amplify the input signals from the external filters. The receiver noise figure is 2 dB at 800 MHz. The signals are next down-converted to baseband by mixers, and then amplified with AGC and filtered. An internal PLL fractional-N synthesizer provides the LO signal for tuning. The signals are then digitized in 12-bit ADCs and the parallel I and Q signals are sent to the data interface where they will go to a DSP for demodulation and other processing.

The dual transmitters (TX) are shown in the lower page 438 part of Fig. 12-8. The parallel digital I and Q data with modulation comes into the data interface and is applied to 12-bit DACs, and then filtered and amplified. Mixers then up-convert the signals to the final output frequency. A separate PLL synthesizer is used as the TX local oscillator. The maximum RF power output is 7.5 dBm depending on operating frequency. An external PA is used to boost signal level to the desired power. The PLL synthesizer frequencies are set by an external digital programming word that comes in via a serial interface. Other features and functions of the chip are also programmed this way with data from an external microcontroller.

The AD9361 is just one of a family of ICs with similar functions. Newer chips offer four instead of two radios that can reduce chip count in making multiband or channel transceivers.

HD Radio. HD Radio is a hybrid system that rides on top of the carriers of the traditional analog broadcast transmitters. Also formally known as the in-band-on-channel (IBOC) radio technology, HD Radio effectively rebroadcasts the same AM and FM programs but uses an orthogonal frequency-division multiplexing (OFDM) modulation signal that transmits simultaneously with the traditional AM or FM analog signal. It takes up more bandwidth than the analog signals, 20-kHz-

wide channels instead of 10 kHz for AM and 400-kHz spacing instead of 200 kHz for FM.

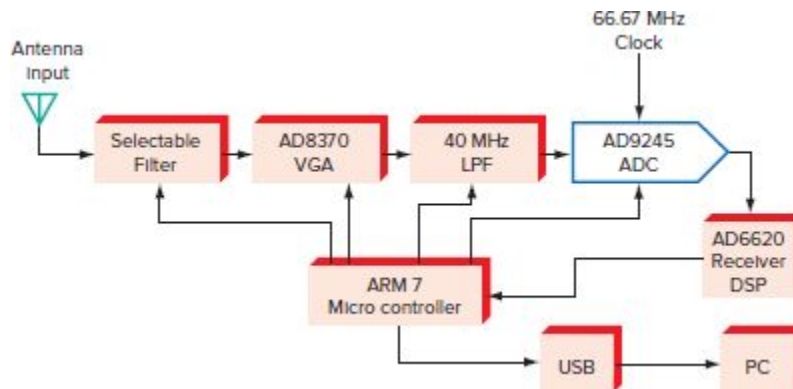
Orthogonal frequency-division multiplexing is discussed in Chap. 10. It is a multicarrier method of modulation that permits high data rates in narrow channels. HD Radio also uses a codec to compress the audio signal so that it will fit the channel. The compression is proprietary but similar to MPEG-4 standard HE-AAC. Being digital, this system offers CD-quality audio for the AM and FM simultaneously broadcast signal. The digital format is less susceptible to noise and is less affected by fading which can be experienced in AM radio receptions. A unique feature of HD Radio is its ability to multiplex several audio streams on the same digital OFDM signal. That gives broadcasters two or four extra “channels” that can include different programming from the main channel. HD Radio is a free over-the-air (OTA) signal, but you need a special receiver to get it. Most HD Radios are in vehicles, but desktop and portable models are also available.

SDR Communications Receiver. An example of a commercial shortwave/amateur radio receiver using SDR concepts is the SDR-IQ made by RFSPACE Inc. The SDR-IQ is designed to be used with a desktop PC or laptop. The receiver is just the front end, while the PC is used for the DSP and the display. The general frequency range is 500 kHz to 30 MHz. It can demodulate AM, SSB, DSB, FM, and CW (continuous wave or Morse code) signals.

A block diagram of the receiver is shown in Fig. 12-9. Input filters select one of three ranges: 0 to 5 MHz, 5 MHz to 15 MHz, or 15 MHz to 30 MHz. The selected bandwidth of signals is applied to an Analog Devices AD8370 VGA. This amplifier provides the receiver gain selectable digitally in two ranges: 211 dB to 117 dB or 16 dB to 34 dB. The gain is varied digitally to provide AGC. The VGA output goes to a 40-MHz LPF, which serves as an antialiasing filter for the

ADC. The ADC is an Analog Devices AD9245 digitizer that samples at a rate of 66.6667 MHz, more than twice the upper signal input of 30 MHz. The output consists of 14-bit parallel samples.

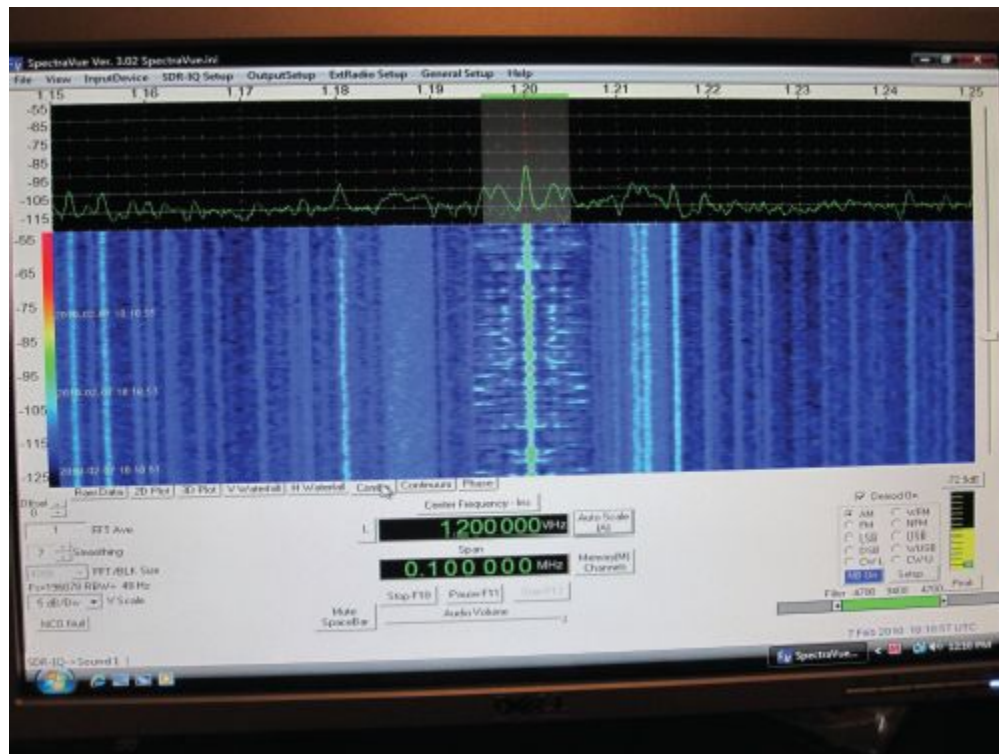
Figure 12-9 Simplified block diagram of the RFSPACE SDR-IQ communications receiver.



The 14-bit samples are sent to an Analog Devices AD6620, a DSP for receivers. It contains digital mixers and an NCO that down-converts the signal to baseband. The NCO is the local oscillator and is similar to the signal generation section of a DDS synthesizer as discussed in Chap. 8. The mixer outputs are the I and Q baseband signals. Circuits called decimators reduce the sampling rate and output the digital I and Q signals to the ARM7 microcontroller. The microcontroller puts the I and Q signals into packets and sends them to the Universal Serial Bus (USB) interface, which then connects to the PC. The ARM microcontroller also operates the filter selection, AGC, and ADC. The receiver is fully powered by the 5-V dc furnished by the USB port connection. The PC uses its internal Pentium or equivalent processor with the I and Q signals to perform the demodulation. Then a fast Fourier transform (FFT) is performed on the data to provide a frequency domain output. Software on the PC also implements the receiver controls and display.

Fig. 12-10 shows the PC video monitor display, [page 439](#). The PC mouse and keyboard are used to select the frequency and mode of operation. The upper part of the display (dark background) is the FFT frequency domain display, similar to what you would see on a spectrum analyzer. A 190-kHz segment of the received spectrum is shown. The center signal is that of AM radio station WOAI at 1200 kHz. You can even see the upper and lower sidebands. The lower part of the display (blue) is called a waterfall display. It shows signal strength by the color level of the signals within the 190-kHz bandwidth of signals displayed. The waterfall display is moving and flows downward slowly over time, emulating a waterfall. The receiver operator therefore gets an ongoing display of present and past signal conditions.

Figure 12-10 This is a typical video display of an SDR receiver showing the frequency spectrum display and the waterfall display.



Digital HDTV. Modern television sets are just page 440 digital radios with a big video screen. Today, all U.S. TV and much of the rest of the world's TV is digital. It is generally referred to as high-definition (HD) TV. In 2007, the FCC mandated that all U.S. TV be digital. This was a massive and expensive switchover for broadcast stations, TV manufacturers, and consumers. But it is now a done deal and the result is truly superior video and audio on big-screen, color, high-resolution LCD and LED displays. Here's how it works.

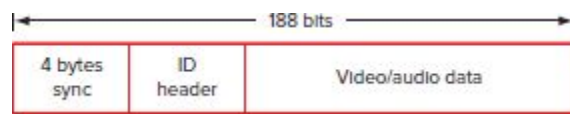
The digital technology is a standard of the Advanced Television Standards Committee (ATSC). The first version ATSC 1.0 was adopted and implemented but was soon updated to the ATSC 2.0 version. This standard is used in the United States, Canada, Mexico, and South Korea. Europe, Japan, and other nations have their own special digital TV standards.

Like all television, digital TV reproduces a picture by scanning across the screen in closely spaced lines where each line is made up of dots or pixels of color. Standard or legacy HD TV that is still used today uses a 1280 × 720 format, meaning 720 vertical pixels or horizontal scan lines each with 1280 pixels. Standard or full HD TV uses a 1920 × 1080 format with 1080 scan lines with 1920 pixels. The newer 4K HD TV supports 3840 × 2160 or 2160 lines with 3840 pixels. (Because 3840 is close enough to 4000, they call it 4K.) A full scanning is called a frame and the frame rates vary from 30 frames per second (fps) to 240 fps. The higher the frame rate the less flicker and the faster the response to movement in the picture.

Here is what happens. The analog camera and audio signals are sampled, digitized, and then compressed. MPEG 2 compression is used for video and AC-3 compression is used for audio. The compressed digital streams are formed

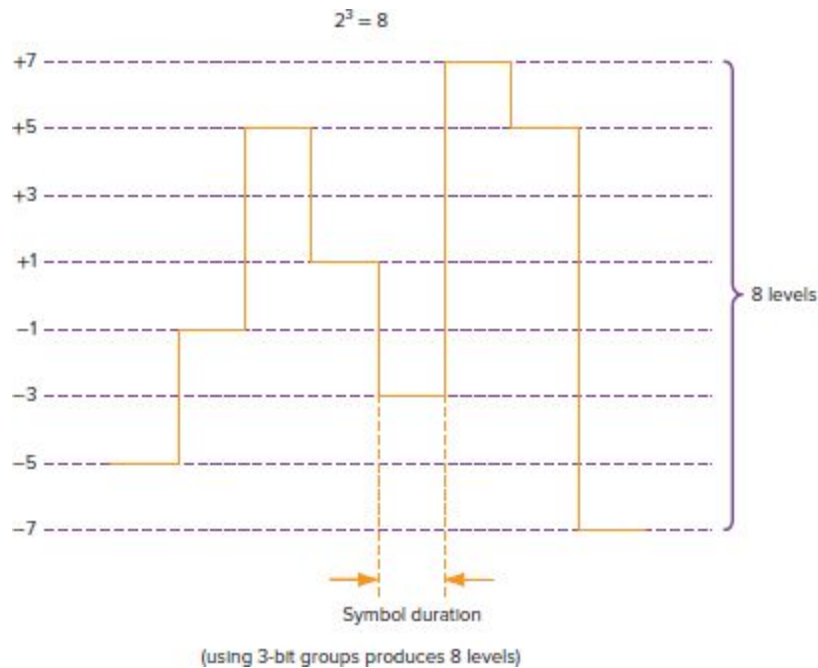
into 188-bit packets; that is, they are converted into short blocks of data bytes containing the video and audio signals. These packets are then multiplexed along with some synchronizing signals to form the final signal to be transmitted. The result is a 188-bit packet containing both video and audio data plus 4 bytes of synchronizing bytes and a header. See Fig. 12-11. The header identifies the number of the packet and its sequence as well as the video format. Next, the packets are assembled into frames of data representing one frame of video. The complete frame consists of 626 packets transmitted sequentially. The final signal is sent to the modulator. The data rate is 19.3 Mbps.

Figure 12-11 Packet format for HDTV.



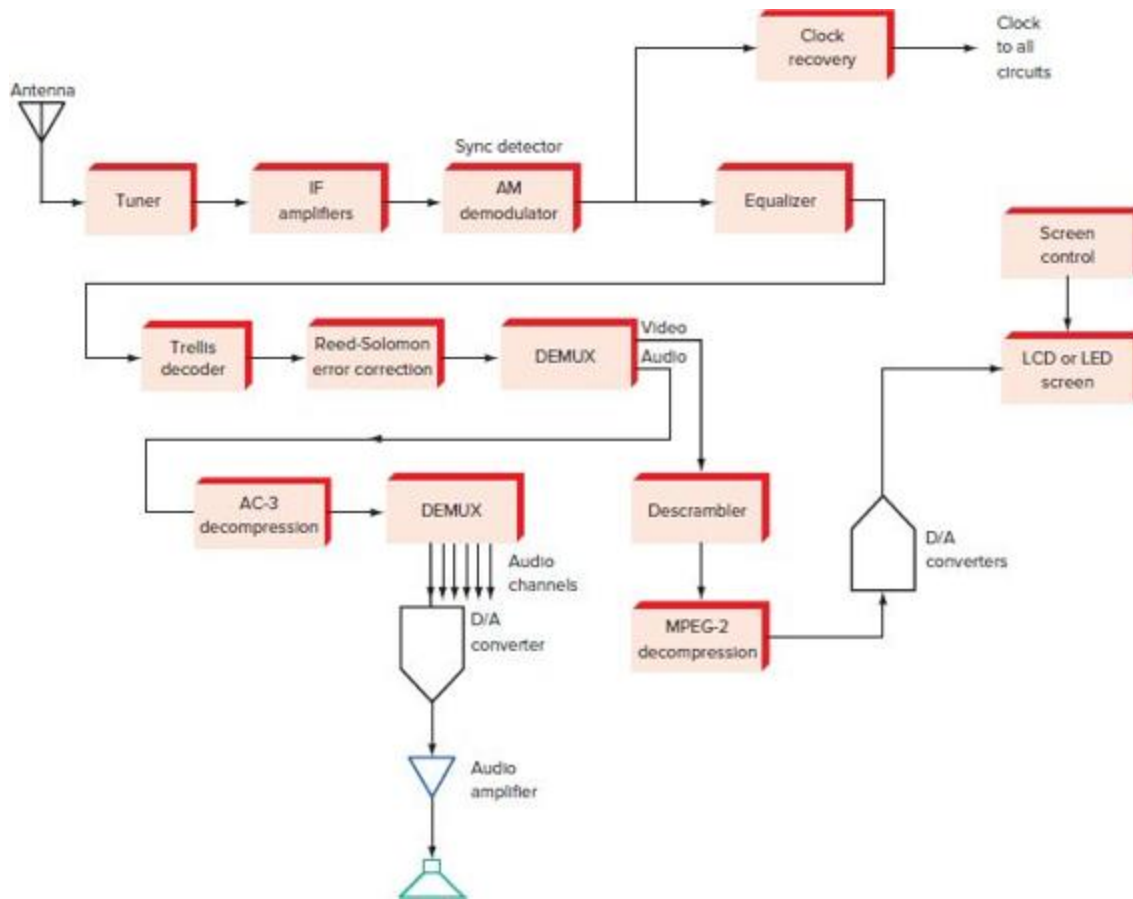
This data rate is too fast to fit in a standard 6-MHz-wide TV channel so a special modulation technique is used. Called 8 VSB for eight-level vestigial sideband, this is an AM technique where each of the levels represents 3 bits. Each level duration is called a symbol. The receiver detects the different levels to extract the 3 bits being represented. Using multiple symbols allows you to transmit more bits per second in the band. Refer to Fig. 12-12. Then a filter is used to remove most of one of the AM sidebands. The signal is then sent to a DAC to be converted to analog, and sent to a mixer where it is up-converted to the final TV channel frequency amplified and transmitted.

Figure 12-12 Eight-level VSB signal delivers 3 bits per symbol.



An HD TV receiver picks up the composite signal page 441 and then demodulates and decodes the signal into the original video and audio information. A simplified receiver block diagram is shown in Fig. 12-13. The tuner selects the desired channel and an IF is produced. From there the 8-VSB signal is demodulated into the original bitstream. A clock recovery circuit regenerates the clock signal that times all the remaining digital operations.

Figure 12-13 Simplified HDTV receiver: ATSC 2.0.



The signal is also passed through an equalizer circuit that adjusts the signal to correct for amplitude and phase variations encountered during transmission. Next, the trellis decoder and R-S decoder ensure that any received errors caused by noise are corrected. The signals are demultiplexed into the video and audio bitstreams, and the video signal is then descrambled and decompressed. The video signal then drives the D/A converters that reproduce the picture on the LCD or LED display. The audio signal is also demultiplexed and fed to AC-3 decoders. The resulting digital signals are fed to D/A converters that create the analog audio for each of the six audio channels. External class D power amps deliver CD-quality audio to the existing system.

The next generation of OTA digital TV in the United States is just beginning to show up in broadcast stations and TV

sets. NextGen TV designated as ATSC 3.0 is significantly different from ATSC 2.0, the current system. For example, whereas the older digital TV standard permitted 1920 pixels on each 1080 scan line, the new standard can generate 3840 lines with up to 2160 pixels for significantly higher picture resolution. This format is known as ultrahigh definition (UHD) or 4K.

Other features of ATSC 3.0 are an improved audio with better compression techniques, Dolby AC-4 and MPEG-H-3D. The new video compression is MPEG-H HEVC/H.265.

A major change is the abandonment of the 8-VSB modulation. The new 3.0 standard uses OFDM and low-density parity-check (LDPC) forward error correction (FEC) that permit a higher data rate in the 6-MHz channels up to 28 to 36 57 Mbps. This enables the greater pixel resolution and faster frame rates. The OFDM signal is also more robust so that it produces a good signal at all receivers in range. An interesting feature is that NextGen TV sets also have an Internet connection via your Wi-Fi router that will supply supplemental content like ads.

As this is written, ATSC 3.0 is still in its test phase [page 442](#) as very few TV stations have adopted it, and few 3.0 TV sets are available to receive it. The FCC did not mandate that all TV must be 3.0. Instead, it is allowing the new standard to emerge on its own. Keep in mind that only about 10 to 20 percent of consumers actually get their TV over the air. Most consumers use cable TV or some Internet source like Netflix to get their video. You can check for the status of 3.0 TV in your area by contacting the FCC. In addition, special converter boxes are now available to let you convert your current TV for 3.0 reception.

12-8 Cognitive Radios

Cognitive radio is the term used to describe an advanced form of SDR that is designed to help alleviate the frequency spectrum shortage and more fully automate the radio. While most of the usable frequency spectrum has already been assigned by the various government regulating agencies, at any given time much of that spectrum goes unused, at least for part of the time. The question is, how can that spectrum be more efficiently assigned and used? A good example is the sharing of frequency spectrum.

Cognitive radio

Some cognitive radios are designed to seek out unused spectrum space and then reconfigure themselves to receive and transmit on the unused portions of the spectrum they find. Such radios are now possible because of the availability of very agile and wide-ranging frequency synthesizers and DSP techniques. These radios could easily change frequency as well as modulation/multiplexing methods on the fly to establish communications. Consumer, military, and government service radios are currently beginning to take advantage of these techniques.

Cognitive radios are not widely used or well page 443 known. But it is possible that all future radios could be cognitive in some way. In summary, here are the formal definitions of cognitive radios by the Institute of Electrical and Electronic Engineers (IEEE).

- Radio in which communications systems are aware of their environment and internal state, and can make decisions about their radio operating behavior based on that information and predefined objectives. The environment information may or may not include location information related to communication systems.
- Cognitive radio (as defined previously) that uses SDR, adaptive radio, and other technologies to automatically

adjust its behavior or operations to achieve desired objectives.

The concept of a cognitive radio is still relatively new and it will probably take multiple forms depending on its application. Since this is technology that emulates human actions, it is likely that some form of artificial intelligence (AI) software will be used to implement the many possible uses. AI technology like machine learning could be deployed. Research continues on this subject.

CHAPTER REVIEW

Online Activity

12-1 Public Safety Two-Way Radios

Objective: To become familiar with other digital/SDR radios not covered in this chapter.

Procedure:

1. Perform an Internet search for *digital portable handheld radios, software-defined land mobile radios, or public safety two-way radios*.
2. Look for any new types of digital/SDR radios or standards.

Questions:

1. Name the main users of such radios.
2. List all of the standards that you discover.
3. Name the three types of digital two-way radio standards most widely used.

4. What was the impetus for changing from analog to digital radios?
5. In what frequency range do these radios operate?

12-2 Cognitive Radio

Objective: Explore cognitive radio.

Procedure:

1. Search on the term *cognitive radio* or some variation thereof. It might help to include the term *software-defined radio*.
2. Answer the following questions.

Questions:

1. What organization, if any, oversees the development, fostering, standards setting, and promotion of cognitive radio?
2. Name two possible applications of cognitive radio other than the spectrum example given in the text.
3. Name the main components of a cognitive radio.
4. Where might cognitive radio find its “killer app”?

Questions

1. The first and oldest form of radio is digital. What is it? Think about it.
2. What is the difference between a digital radio and an SDR?
3. What are the main benefits of a digital SDR and a conventional analog radio?
4. Name three basic architectures of SDR receivers.
5. What are the two main factors that have made SDRs possible?
6. What is the IF in a direct conversion receiver?

- 7.** Name four common functions that the DSP in an SDR can perform.
- 8.** What is a digital radio front end?
- 9.** Name three circuits or components that allow a receiver and transmitter to share an antenna.
- 10.** What technologies make the SDR possible?
- 11.** Name three ways that the computing function of an SDR can be implemented.
- 12.** What is a direct conversion radio?
- 13.** What is the name of the analog segment of an SDR? Identify the main components and circuits.
- 14.** State the reason for the I and Q signals.
- 15.** Why does the computing section of an SDR have to be so fast?
- 16.** Which circuits limit the upper operating frequency of an SDR?
- 17.** How do you tune an SDR?
- 18.** What is the most widely used SDR?
- 19.** What is the main benefit of an SDR?
- 20.** What SDR architecture does not use a mixer or IF?
- 21.** Why do SDRs use I and Q signals instead of a single signal path?
- 22.** Name one SDR operation that may not be carried out in the DSP.
- 23.** Name the two operational features of the output display used in a commercial SDR.
- 24.** Explain the type of modulation used in the original ATSC 2.0 digital TV. What type of modulation replaced it?
- 25.** How are audio and video transmitted and received at the same time in an HDTV system?
- 26.** Name two other circuit types sometimes used instead of a DSP.
- 27.** How is selectivity achieved in an SDR?
- 28.** What is the bandwidth of a standard TV channel?
- 29.** Give your own definition of a cognitive radio.

Problems

1. An SDR operates on a frequency of 1900 MHz. The local oscillator is set to 1750 MHz. What is the minimum sampling frequency required of the ADC?
2. A direct conversion SDR receives on a frequency of 72 MHz. What is the local oscillator frequency? The IF?
3. What is the digital data rate inside an ATSC 2.0 HDTV?

Critical Thinking

1. Can a shortwave receiver be an SDR? Name one standard if it exists. (Use an Internet search.)
2. Circuits and devices used in RFFE include duplexers and diplexers. Explain how each works.
3. Describe an SDR that has its antenna connected directly to the ADC. What are the problems, electronic challenges, and benefits of such a radio?
4. What are the digital radios designated by DAB and DRM?

Transmission Lines

Transmission lines in communication carry telephone signals, computer data in LANs, TV and Internet signals in cable TV systems, and signals from a transmitter to an antenna or from an antenna to a receiver. Transmission lines are also short cables connecting equipment or printed circuit board copper traces that connect an embedded microcomputer to other circuits by way of various interfaces. Coax cables used in connecting test instruments to devices under test are particularly critical if accurate measurements are to be made. Transmission lines are critical links in any communication system. They are more than pieces of wire or cable. Their electrical characteristics are critical and must be matched to the equipment for successful communication to take place.

Transmission lines are also circuits. At very high frequencies where wavelengths are short, transmission lines act as resonant circuits and even reactive components. At VHF, UHF, and microwave frequencies, most tuned circuits and filters are implemented with transmission lines. This chapter covers basic transmission line principles—theory, behavior, and applications.

Objectives

After completing this chapter, you will be able to:

- Name the different types of transmission lines and list some specific applications of each.
- Explain the circumstances under which transmission lines can be used as tuned circuits and reactive components.
- Define characteristic impedance and calculate the characteristic impedance of a transmission line by using several different methods.
- Compute the length of a transmission line in wavelengths.
- Define standing wave ratio (SWR), explain its significance for transmission line design, and calculate SWR by using impedance values or the reflection coefficient.
- State the criterion for a perfectly matched line, page 446 and describe conditions that produce an improperly matched line.
- Use the Smith chart to make transmission line calculations.
- Define stripline and microstrip, and state where and how they are used.

13-1 Transmission Line Basics

The two primary requirements of a *transmission line* are that (1) the line introduce minimum attenuation to the signal and (2) the line not radiate any of the signal as radio energy. All transmission lines and connectors are designed with these requirements in mind. A third desirable characteristic is to minimize the pickup of external noise and transients from nearby equipment or adjacent runs of other cables.

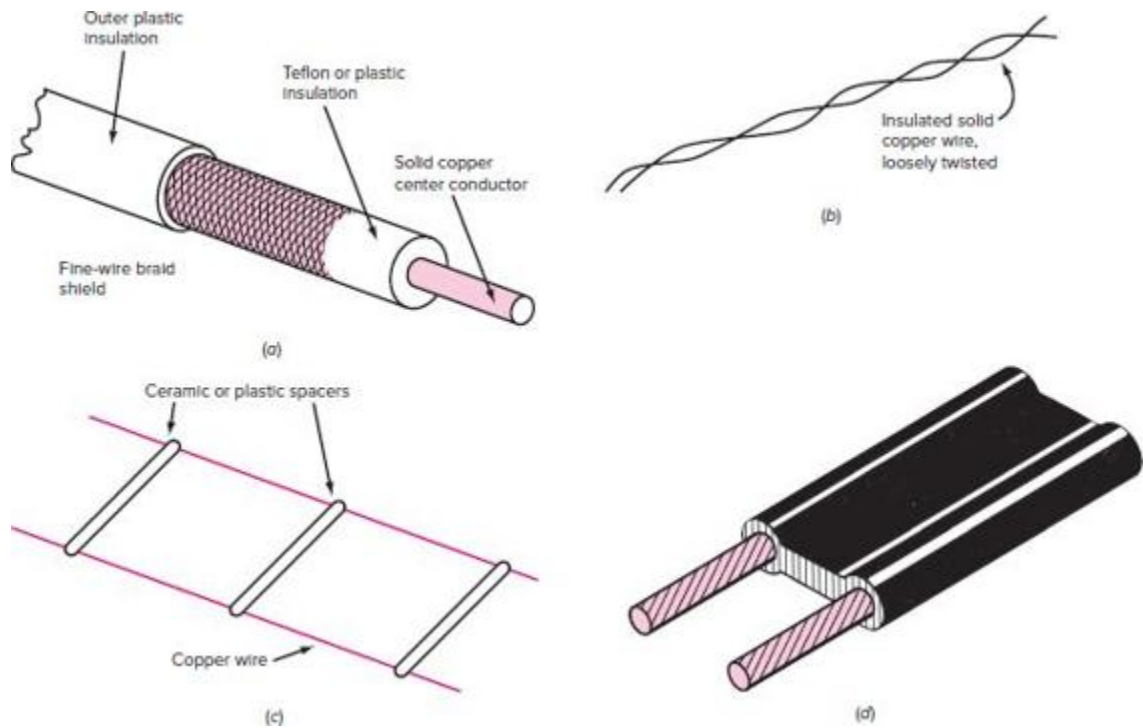
Transmission line

Coaxial cable

Types of Transmission Lines

Coaxial Cable. The most widely used type of transmission line is *coaxial cable*, which consists of a solid center conductor surrounded by a dielectric material, usually a plastic insulator such as Teflon [see Fig. 13-1(a)]. An air or gas dielectric, in which the center conductor is held in place by periodic insulating spacers, can also be used. Over the insulator is a second conductor, a tubular braid or shield made of fine wires. An outer plastic sheath protects and insulates the braid. Coaxial cable comes in a variety of sizes, from approximately $\frac{1}{4}$ in to several inches in diameter. Some of the newer coax cables can now be used up to a frequency of 110 GHz over short distances.

Figure 13-1 Common types of transmission lines. (a) Coaxial cable (b) Twisted-pair cable (c) Open-wire line (d) 300- Ω twin lead.



GOOD TO KNOW

The major benefit of coaxial cable is that it is completely shielded so that external noise has little or no effect on it.

Twisted-Pair Cable. Twisted-pair cable, as the [page 447](#) name implies, uses two insulated solid copper wires covered with insulation and loosely twisted together. See Fig. 13-1(b). This type of cable was originally used in telephone wiring and is still used for that today. But it is also used for security system wiring. Another application is the connection of sensors and other equipment in factories and other industrial settings. And twisted-pair cable is one of the most widely used types of wiring in local-area networks (LANs). It is generally known as unshielded twisted-pair (UTP) cable. There are many grades of twisted-pair cable for handling low-frequency audio or high-frequency pulses. The size of wire, type of insulation, and tightness of the twist (twists per inch) determine its characteristics. It is available

with an overall braid shield and is called shielded twisted-pair (STP) cable. The most common version contains four pairs within a common insulated tubing.

Parallel-Wire Lines. *Parallel-wire line* is made of two parallel conductors separated by a space of $\frac{1}{2}$ in to several inches. Fig. 13-1(c) shows a two-wire balanced line in which insulating spacers have been used to keep the wires separated. Such lines are rarely used today. A variation of parallel line is the 300- Ω twin-lead type shown in Fig. 13-1(d), where the spacing between the wires is maintained by a continuous plastic insulator. Parallel-wire lines are rarely used today.

Parallel-wire line

Balanced Versus Unbalanced Lines

Transmission lines can be balanced or unbalanced. A *balanced line* is one in which neither wire is connected to ground. Instead, the signal on each wire is referenced to ground. The same current flows in each wire with respect to ground, although the direction of current in one wire is 180° out of phase with the current in the other wire. In an *unbalanced line*, one conductor is connected to ground. The twisted-pair line [Fig. 13-1(b)] may be used in a balanced or an unbalanced arrangement, although the balanced form is more common.

Balanced transmission line

Unbalanced transmission line

Open-wire line has a balanced configuration. A typical feed arrangement is shown in Fig. 13-2(a). The driving generator and the receiving circuit are center-tapped transformers in which the center taps are grounded. Balanced-line wires offer significant protection from noise

pickup and cross talk. Because of the identical polarities of the signals on balanced lines, any external signal induced into the cable appears on both wires simultaneously but cancels at the receiver. This is called *common-mode rejection*, and noise reduction can be as great as 60 to 70 dB.

Common-mode rejection

Figure 13-2 (a) Balanced line. (b) Unbalanced line.

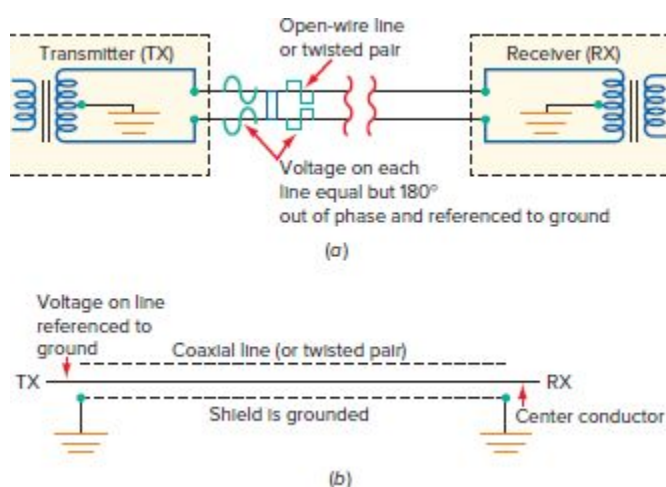


Fig. 13-2(b) shows an unbalanced line. Coaxial page 448 cables are unbalanced lines; the current in the center conductor is referenced to the braid, which is connected to ground. Coaxial cable and shielded twisted-pair cable provide significant but not complete protection from noise pickup or cross talk from inductive or capacitive coupling due to external signals. Unshielded lines may pick up signals and cross talk and can even radiate energy, resulting in an undesirable loss of signal.

It is sometimes necessary or desirable to convert from balanced to unbalanced operation or vice versa. This is done with a device called a *balun*, from “*balanced-unbalanced*.”

Balun

Wavelength of Cables

The two-wire cables that carry 60-Hz power line signals into homes are transmission lines, as are the wires connecting the audio output of stereo receivers to stereo speakers. At these low frequencies, the transmission line acts as a carrier of the ac voltage. For these applications, the only characteristic of the cable of interest is resistive loss. The size and electrical characteristics of low-frequency lines can vary widely without affecting performance. An exception is conductor size, which determines current-carrying capability and voltage drop over long distances. The electrical length of conductors is typically short compared to 1 wavelength of the frequency they carry. A pair of current-carrying conductors is not considered to be a transmission line unless it is at least 0.1λ long at the signal frequency.

Cables used to carry RF energy are not simply resistive conductors but are complex equivalents of inductors, capacitors, and resistors. Furthermore, whenever the length of a transmission line is the same order of magnitude as or greater than the wavelength of the transmitted signal, the line takes on special characteristics and requires a more complex analysis.

As discussed earlier, wavelength is the length or distance of one cycle of an ac wave or the distance that an ac wave travels in the time required for one cycle of that signal. Mathematically, wavelength λ is the ratio of the speed of light to the frequency of the signal f : $\lambda = 300,000,000/f$, where 300 million is the speed of light, in meters per second, in free space or air ($300,000,000 \text{ m/s} \approx 186,400 \text{ mi/s}$) and f is in hertz. This is also the speed of a radio signal.

The wavelength of a 60-Hz power line signal is then

$$\lambda = \frac{300,000,000}{60} = 5 \times 10^6 \text{ m}$$

That's an incredibly long distance—several thousand miles. Practical transmission line distances at such frequencies are, of course, far smaller. At radio frequencies, however, say 3 MHz or more, the wavelength becomes considerably shorter. The wavelength at 3 MHz is $\lambda = 300,000,000/3,000,000 = 100$ m, a distance of a little more than 300 ft, or the length of a football field. That is a very practical distance. As frequency gets higher, wavelength gets shorter. At higher frequencies, the wavelength formula is simplified to $\lambda = 300/f$, where frequency is in megahertz. A 50-MHz signal has a wavelength of 6 m. By using feet instead of meters, the wavelength formula becomes $\lambda = 984/f$, where f is in megahertz (λ is now expressed in feet).

GOOD TO KNOW

A pair of current-carrying conductors is not considered a transmission line unless it is at least 0.1λ long at the signal frequency.

If the wavelength is known, frequency can be computed as follows:

$$f \text{ (MHz)} = \frac{300}{\lambda \text{ (m)}} \quad \text{or} \quad f \text{ (MHz)} = \frac{984}{\lambda \text{ (ft)}}$$

The distance represented by a wavelength in a given cable depends on the type of cable. The speed in a cable can be anywhere from 0.5 to 0.95 times the speed of light waves (radio waves) in space, and the signal wavelength in a cable will be proportionally less than the wavelength of that signal in space. Thus the calculated length of cables is shorter than wavelengths in free space. This is discussed later.

Example 13-1

For an operating frequency of 450 MHz, what length of a pair of conductors is considered to be a transmission line? (A pair of conductors does not act as a transmission line unless it is at least 0.1λ long.)

$$\lambda = \frac{984}{450} = 2.19 \text{ ft}$$
$$0.1 \lambda = 2.19(0.1) = 0.219 \text{ ft (2.628 in)}$$

Example 13-2

Calculate the physical length of the transmission line in Example 13-1 a $\frac{3}{8} \lambda$ long.

$$\frac{3}{8} \lambda = \frac{2.19(3)}{8} = 0.82 \text{ ft (9.84 in)}$$

Connectors

Most transmission lines terminate in some kind of *connector*, a device that connects the cable to a piece of equipment or to another cable. An ordinary ac power plug and outlet are basic types of connectors. Special connectors are used with parallel lines and coaxial cable. Connectors, ubiquitous in communication equipment, are often taken for granted. This is unfortunate, because they are a common failure point in many applications.

Connector

Coaxial Cable Connectors. Coaxial cable requires special connectors that will maintain the characteristics of the cable. Although the inner conductor and shield braid could theoretically be secured with screws as parallel lines, the result would be a drastic change in electrical attributes, resulting in signal attenuation, distortion, and other problems. Thus *coaxial connectors* are designed not only to provide a convenient way to attach and disconnect equipment and cables but also to maintain the physical integrity and electrical properties of the cable.

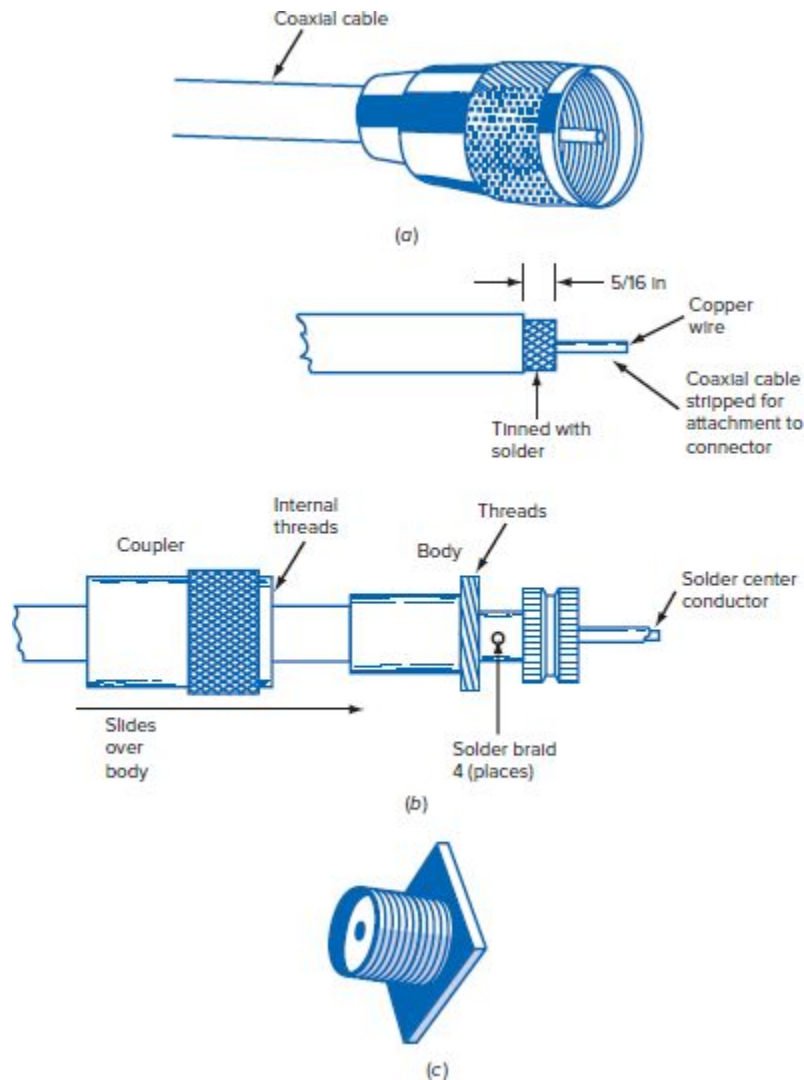
Coaxial connector

The choice of a coaxial connector depends on the type and size of cable, the frequency of operation, and the application. The most common types are the PL-259 or UHF, BNC, F, SMA, and N-type connectors.

The *PL-259 connector* is shown in Fig. 13-3(a); the internal construction and connection principles for the PL-259 are shown in Fig. 13-3(b). The body of the connector is designed to fit around the end of a coaxial cable and to provide convenient ways to attach the shield braid and the inner conductor. The inner conductor is soldered to a male pin that is insulated from the body of the connector, which is soldered or crimped to the braid. A coupler fits over the body; it has inner threads that permit the connector to attach to matching screw threads on a female connector called the SO-239. See Fig. 13-3c.

PL-259 connector

Figure 13-3 UHF connectors. (a) PL-259 male connector. (b) Internal construction and connections for the PL-259. (c) SO-239 female chassis connector.

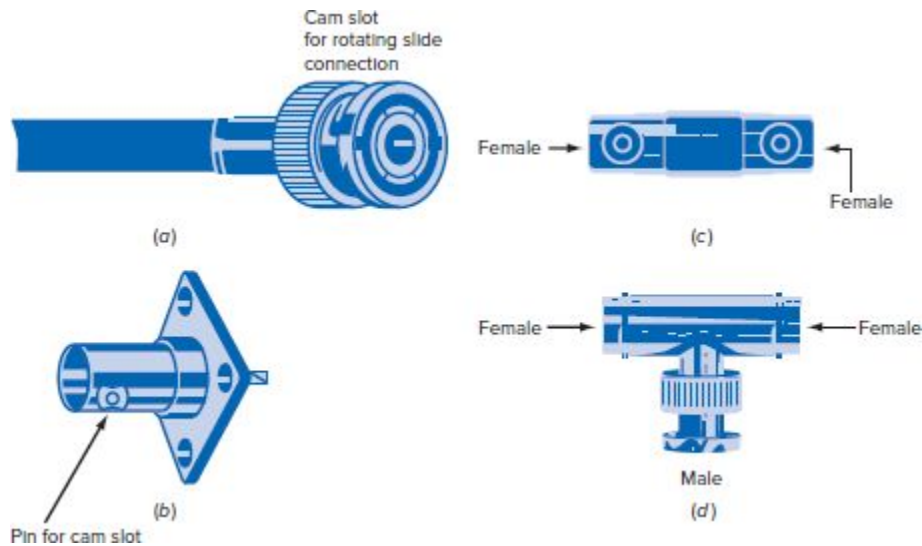


The PL-259, which is also referred to as a *UHF connector*, can be used up to low UHF values (less than 500 MHz), although it is more widely used at HF and VHF. It can accommodate both large (up to 0.5-in) and small (0.25-in) coaxial cable.

Another very popular connector is the *BNC connector* (Fig. 13-4). BNC connectors are widely used on 0.25-in coaxial cables for attaching test instruments, such as oscilloscopes, frequency counters, and spectrum analyzers, to the equipment being tested. BNC connectors are also widely used on 0.25-in coaxial cables in LANs and some UHF radios.

BNC connector

Figure 13-4 BNC connectors. (a) Male. (b) Female. (c) Barrel connector. (d) T connector.

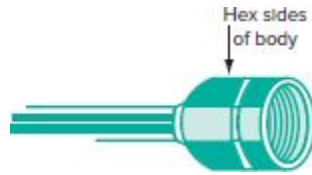


In BNC connectors, the center conductor of the page 451 cable is soldered or crimped to a male pin, and the shield braid is attached to the body of the connector. An outer shell or coupler rotates and physically attaches the connector to a mating female connector by way of a pin and cam channel on the rotating coupling [see Fig. 13-4(b)].

One of the many variations of BNC connectors is the *barrel connector*, which allows two cables to be attached to each other end to end, and the T coupler, which permits taps on cables [see Fig. 13-4(a) and (d)]. Another variation is the *SMA connector*, which uses screw threads instead of the cam slot and pin (Fig. 13-5). The SMA connector is characterized by the hexagonal shape of the body of the male connector. Like the BNC connector, it is used with smaller coaxial cable.

SMA connector

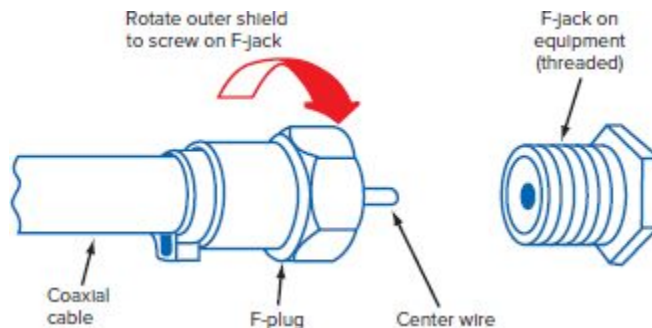
Figure 13-5 SMA connector.



The least expensive coaxial cable connector is the *F-type connector*, which is widely used for TV sets, VCRs, DVD players, and cable TV. The cable plug and its matching chassis jack are shown in Fig. 13-6. The shield of the coaxial cable is crimped to the connector, and the solid wire center conductor of the cable, rather than a separate pin, is used as the connection. A hex-shaped outer ring is threaded to attach the plug to the mating jack.

F-type connector

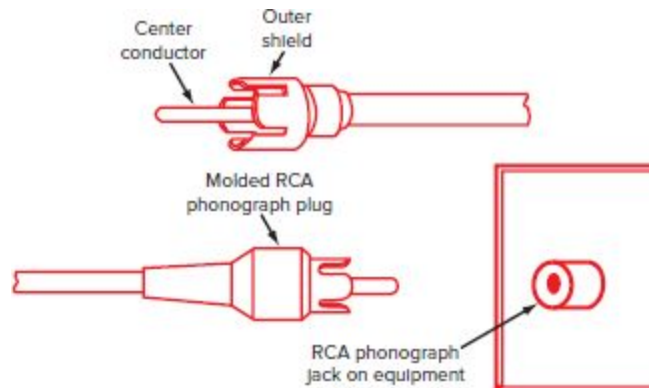
Figure 13-6 The F connector used on TV sets, VCRs, and cable TV boxes.



Another inexpensive coaxial connector is the well-known *RCA phonograph connector* (Fig. 13-7), which is used primarily in audio equipment. Originally designed over 60 years ago to connect phonograph pick-up arms from turntables to amplifiers, these versatile and low-cost devices can be used at radio frequencies and have been used for TV set connections in the low VHF range.

RCA phonograph connector

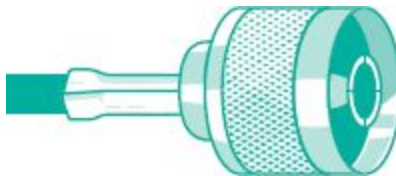
Figure 13-7 RCA phonograph connectors are sometimes used for RF connectors up to VHF.



The best-performing coaxial connector is the *N-type connector* (Fig. 13-8), which is used mainly on large coaxial cable at the higher frequencies, both UHF and microwave. N-type connectors are complex and expensive, but do a better job than other connectors in maintaining the electrical characteristics of the cable through the interconnections.

N-type connector

Figure 13-8 N-type coaxial connector.

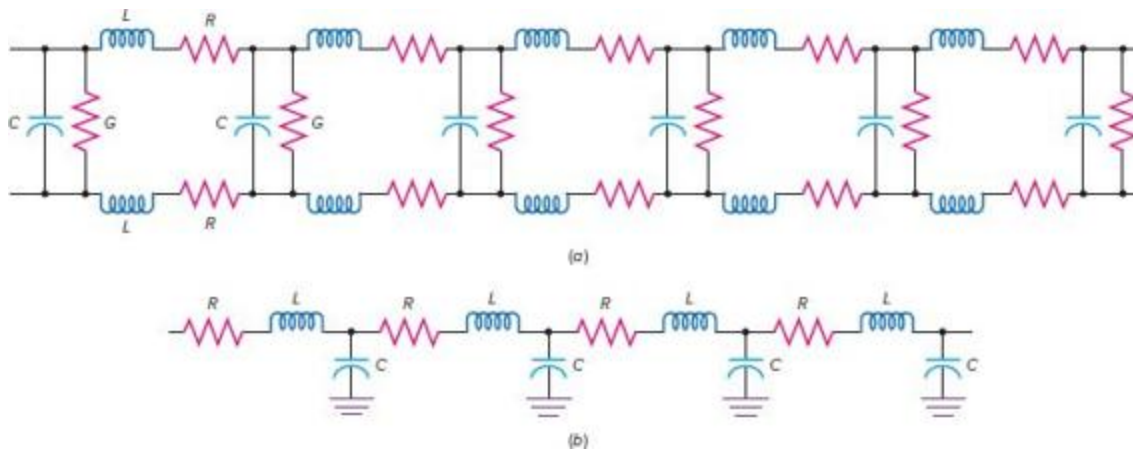


Characteristic Impedance

When the length of a transmission line is longer than several wavelengths at the signal frequency, the two parallel conductors of the transmission line appear as a complex impedance. The wires exhibit considerable series inductance whose reactance is significant at high frequencies. In series with this inductance is the resistance of the wire or braid making up the conductors, which includes inherent ohmic resistance plus any resistance due to skin effect. Furthermore, the parallel conductors form a

distributed capacitance with the insulation, which acts as the dielectric. In addition, there is a shunt or leakage resistance or conductance (G) across the cable as the result of imperfections in the insulation between the conductors. The result is that to a high-frequency signal, the transmission line appears as a distributed low-pass filter consisting of series inductors and resistors and shunt capacitors and resistors [Fig. 13-9(a)]. This is called a *lumped* model of a distributed line.

Figure 13-9 A transmission line appears as a distributed low-pass filter to any driving generator. (a) A distributed line with lumped components. (b) Simplified equivalent circuit.



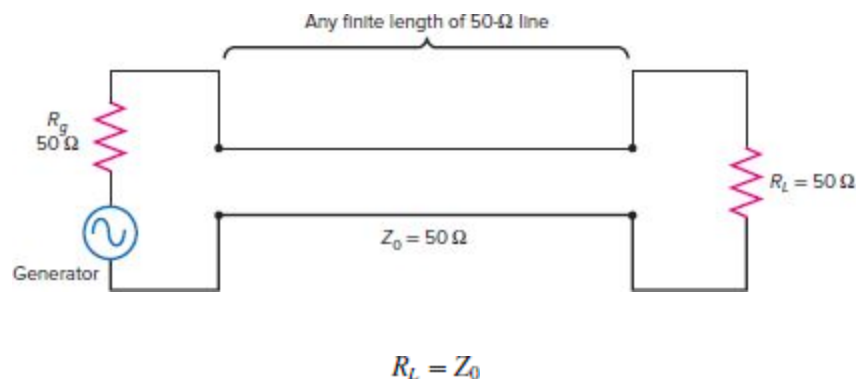
In the simplified equivalent circuit in Fig. 13-9(b), the inductance, resistance, and capacitance have been combined into larger equivalent lumps. The shunt leakage resistance is very high and has negligible effect, so it is ignored. In short segments of the line, the series resistance of the conductors can sometimes be ignored because it is so low as to be insignificant. Over longer lengths, however, this resistance is responsible for considerable signal attenuation. The effects of the inductance and capacitance are considerable, and in fact they determine the characteristics of the line.

An RF generator connected to such a page 453 transmission line sees an impedance that is a function of the inductance, resistance, and capacitance in the circuit—the *characteristic* or *surge impedance* Z_0 . If we assume that the length of the line is infinite, this impedance is resistive. The characteristic impedance is also purely resistive for a finite length of line if a resistive load equal to the characteristic impedance is connected to the end of the line.

Characteristic (surge) impedance

Determining Z_0 from Inductance and Capacitance. For an infinitely long transmission line, the characteristic impedance Z_0 is given by the formula $Z_0 = \sqrt{L/C}$, where Z_0 is in ohms, L is the inductance of the transmission line for a given length, and C is the capacitance for that same length. The formula is valid even for finite lengths if the transmission line is terminated with a load resistor equal to the characteristic impedance (see Fig. 13-10). This is the normal connection for a transmission line in any application. In equation form,

Figure 13-10 A transmission line whose load is resistive and equal to the surge impedance appears as an equal resistance to the generator.



GOOD TO KNOW

When coax cable was first developed, the designers experimented with different characteristic impedances (Z_0). They determined that about $30\ \Omega$ was the best for high power. A Z_0 of $77\ \Omega$ was ideal for minimum loss. A Z_0 of $60\ \Omega$ was best for high voltage. The solution was to settle on a compromise value of $50\ \Omega$. Today most coax cable and the input and output impedances of communication equipment is $50\ \Omega$. However, be aware that there are also 75- and 93- Ω coax cables.

If the line, load, and generator impedances are made equal, as is the case with matched generator and load resistances, the criterion for maximum power transfer is met.

An impedance meter or bridge can be used to measure the inductance and capacitance of a section of parallel line or coaxial cable to obtain the values needed to calculate the impedance. Assume, e.g., that a capacitance of $0.0022\ \mu\text{F}$ ($2200\ \text{pF}$) is measured for 100 ft. The inductance of each conductor is measured separately and then added, for a total of $5.5\ \mu\text{H}$. (Resistance is ignored because it does not enter into the calculation of characteristic impedance; however, it will cause signal attenuation over long distances.) The surge impedance is then

$$Z_0 = \sqrt{\frac{L}{C}} = \sqrt{\frac{5.5 \times 10^{-6}}{2200 \times 10^{-12}}} = \sqrt{2500} = 50\ \Omega$$

In practice, it is unnecessary to make these calculations because cable manufacturers always specify impedance.

The characteristic impedance of a cable is independent of length. We calculated it by using a value of L and C for 100 ft, but $50\ \Omega$ is the correct value for 1 ft or 1000 ft. Note that the actual impedance approaches the calculated impedance only if the cable is several wavelengths or more in length as terminated in its characteristic impedance. For line lengths less than $1.0\ \lambda$, characteristic impedance does not matter.

Most transmission lines come with standard fixed values of characteristic impedance. The common characteristic impedances of coaxial cable are 52, 53.5, 75, 93, and 125 Ω .

Velocity Factor

An important consideration in transmission line applications is that the speed of the signal in the transmission line is slower than the speed of a signal in free space. The velocity of propagation of a signal in a cable is less than the velocity of propagation of light in free space by a fraction called the *velocity factor* (VF), which is the ratio of the velocity in the transmission line V_p to the velocity in free space V_c :

Velocity factor

$$VF = \frac{V_p}{V_c} \quad \text{or} \quad VF = \frac{V_p}{c}$$

where $V_c = c = 300,000,000$ m/s.

Velocity factors in transmission lines vary from approximately 0.5 to 0.9. The velocity factor of a coaxial cable is typically 0.6 to 0.8. Open-wire line has a VF of about 0.9, and 300- Ω twin-lead line has a velocity factor of about 0.8.

Calculating Velocity Factor. The velocity factor in a line can be computed with the expression $VF = 1/\sqrt{\epsilon}$, where ϵ is the dielectric constant of the insulating material. For example, if the dielectric in a coaxial cable is Teflon, the dielectric constant is 2.1 and the velocity factor is $1/\sqrt{2.1} = 1/1.45 = 0.69$. That is, the speed of the signal in the coaxial cable is 0.69 times the speed of light, or $0.69 \times 300,000,000 = 207,000,000$ m/s (128,616 mi/s).

If a lossless (zero-resistance) line is assumed, an approximation of the velocity of propagation can be computed with the expression

$$V_p = \frac{1}{\sqrt{LC}} \quad \text{ft/s}$$

where l is the length or total distance of travel of the signal in feet or some other unit of length and L and C are given in that same unit. Assume, e.g., a coaxial cable with a characteristic impedance of 50Ω and a capacitance of 30 pF/ft. The inductance per foot is $0.075 \mu\text{H}$ or 75 nH. The velocity of propagation per foot in this cable is

$$V_p = \frac{1}{\sqrt{75 \times 10^{-9} \times 30 \times 10^{-12}}} = 6.7 \times 10^8 \text{ ft/s}$$

or 126,262 mi/s, or 204×10^6 m/s.

The velocity factor is then

$$\text{VF} = \frac{V_p}{V_c} = \frac{204 \times 10^6}{300 \times 10^6} = 0.68$$

Calculating Transmission Line Length. The velocity factor must be taken into consideration in computing the length of a transmission line in wavelengths. It is sometimes necessary to use a one-half or one-quarter wavelength of a specific type of transmission line for a specific purpose, e.g., impedance matching, filtering, and tuning.

The formula given earlier for one wavelength of a signal in free space is $\lambda = 984/f$. This expression, however, must be modified by the velocity factor to arrive at the true length of a transmission line. The new formula is

$$\lambda(\text{ft}) = 984 \frac{\text{VF}}{f(\text{MHz})}$$

Suppose, e.g., that we want to find the actual length in feet of a quarter-wavelength segment of coaxial cable with a VF of 0.65 at 30 MHz. Using the formula gives $\lambda = 984(\text{VF}/f) = 984(0.65/30) = 21.32 \text{ ft}$. The length in feet is one-quarter of this, or $21.32/4 = 5.33 \text{ ft}$.

The correct velocity factor for calculating the page 455 correct length of a given transmission line can be obtained from manufacturers' literature and various handbooks.

Time Delay

Because the velocity of propagation of a transmission line is less than the velocity of propagation in free space, it is logical to assume that any line will slow down or delay any signal applied to it. A signal applied at one end of a line appears some time later at the other end of the line. This is called the *time delay* or *transit time* for the line. A transmission line used specifically for the purpose of achieving delay is called a *delay line*.

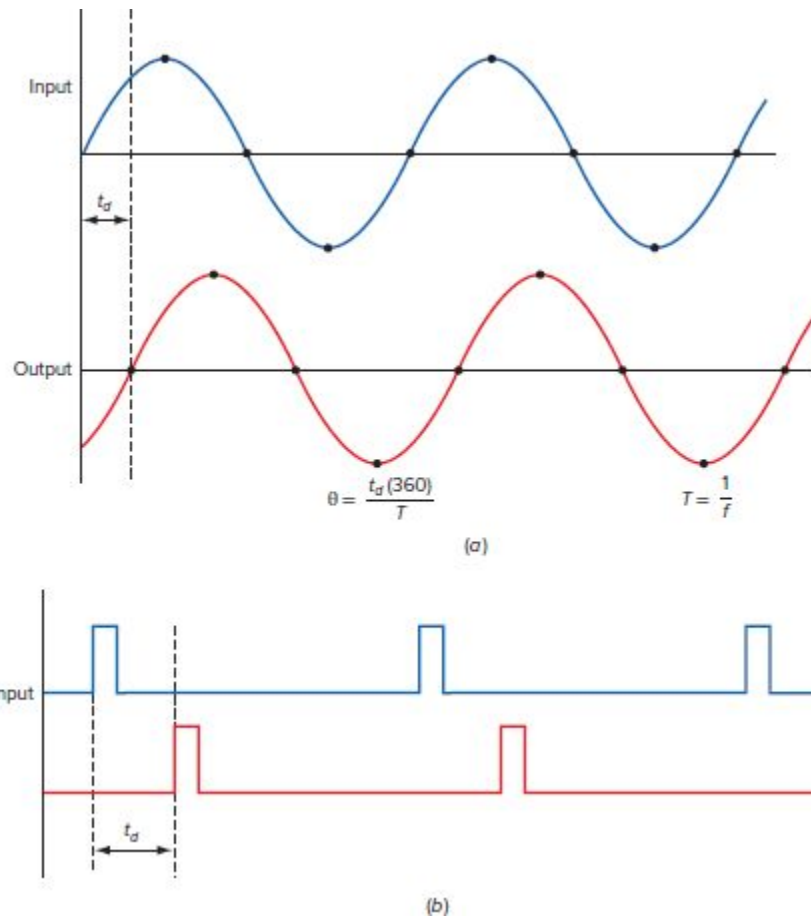
Time delay (transit time)

GOOD TO KNOW

Transmission line delay is often the determining factor in calculating the maximum allowed cable length in LANs.

Fig. 13-11 shows the effect of time delay on a sine wave signal and a pulse train. The output sine wave appears later in time than the input, so it is shifted in phase. The effect is the same as if a lagging phase shift were introduced by a reactive circuit. In the case of the pulse train, the pulse delay is determined by a factor that depends on the type and length of the delay line.

Figure 13-11 The effect of the time delay of a transmission line on signals.
(a) Sine wave delay causes a lagging phase shift. (b) Pulse delay.



The amount of delay time is a function of a line's inductance and capacitance. The opposition to changes in current offered by the inductance plus the charge and discharge time of the capacitance leads to a finite delay. This delay time is computed with the expression

$$t_d = \sqrt{LC}$$

where t_d is in seconds and L and C are the inductance and capacitance, respectively, per unit length of line. If L and C are given in terms of feet, the delay time will be per foot. For example, if the capacitance of a particular line is 30 pF/ft and its inductance is 0.075 μ H/ft, the delay time is

$$t_d = \sqrt{0.075 \times 10^{-6} \times 30 \times 10^{-12}} = 1.5 \times 10^{-9} \text{ or } 1.5 \text{ ns/ft}$$

A 50-ft length of this line would introduce $1.5 \times 50 = 75$ ns of delay.

Time delay introduced by a coaxial cable can also be calculated by using the formula

$$t_d = 1.016\sqrt{\epsilon} \quad \text{ns/ft}$$

where t_d is the time delay in nanoseconds per foot and ϵ is the dielectric constant of the cable.

For example, the total time delay introduced by a 75-ft cable with a dielectric constant of 2.3 is

$$t_d = 1.016\sqrt{\epsilon} = 1.016\sqrt{2.3} = 1.016(1.517) = 1.54 \text{ ns/ft}$$

for a total delay of $1.54(75) = 115.6$ ns.

To determine the phase shift represented by the delay, the frequency and period of the sine wave must be known. The period or time T for one cycle can be determined with the well-known formula $T = 1/f$, where f is the frequency of the sine wave. Assume a frequency of 4 MHz. The period is

$$T = \frac{1}{4 \times 10^6} = 250 \times 10^{-9} = 250 \text{ ns}$$

The phase shift of the previously described 50-ft line with a delay of 75 ns is given by

$$\theta = \frac{360 t_d}{T} = \frac{360(75)}{250} = 108^\circ$$

Transmission line delay is usually ignored in RF applications, and it is virtually irrelevant in radio communication. However, in high-frequency applications where timing is important, transmission line delay can be significant. For example, in LANs, the time of transition of the binary pulses on a coaxial cable is often the determining factor in calculating the maximum allowed cable length.

Some applications require exact timing and sequencing of signals, especially pulses. A coaxial delay line can be used

for this purpose. Obviously, a large roll of coaxial cable is not a convenient component in modern electronic equipment. As a result, artificial delay lines have been developed. These are made up of individual inductors and capacitors connected as a low-pass filter to simulate a distributed transmission line. Alternatively, a more compact distributed delay line can be constructed consisting of a coil of insulated wire wound over a metallic form. The coil of wire provides the distributed inductance and at the same time acts as one plate of a distributed capacitor. The metallic form is the other plate. Such artificial delay lines are widely used in TV sets, oscilloscopes, radar units, and many other pieces of electronic equipment.

Transmission Line Specifications

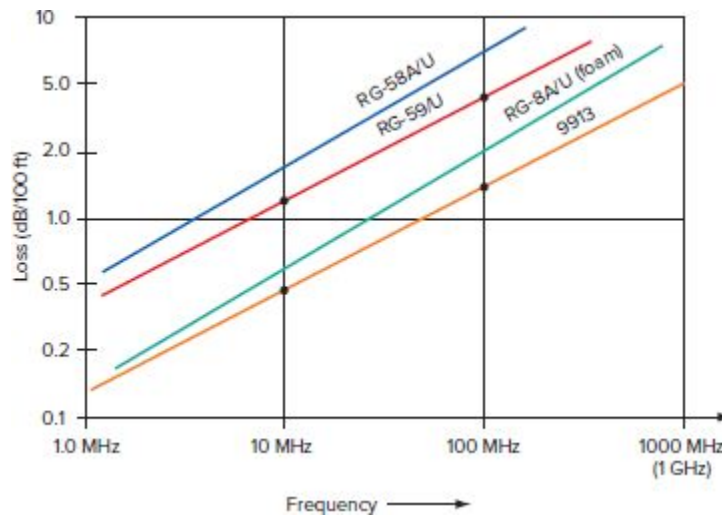
Fig. 13-12 summarizes the specifications of several popular types of coaxial cable. Many coaxial cables are designated by an alphanumeric code beginning with the letters RG or a manufacturer's part number. The primary specifications are characteristic impedance and attenuation. Other important specifications are maximum breakdown voltage rating, capacitance per foot, velocity factor, and outside diameter in inches. The attenuation is the amount of power lost per 100 ft of cable expressed in decibels at 100 MHz. Attenuation is directly proportional to cable length and increases with frequency. Detailed charts and graphs of attenuation versus frequency are also available, so that users can predict the losses for their applications. Attenuation versus frequency for four coaxial cable types is plotted in Fig. 13-13. The loss is significant at very high frequencies. However, the larger the cable, the lower the loss. For purposes of comparison, look at the characteristics of $300\text{-}\Omega$ twin-lead cable listed in Fig. 13-12. Note the low loss compared to coaxial cable.

Figure 13-12 Table of common transmission line characteristics.

Type of cable	Z_0, Ω	VF, %	C, pF/ft	Outside diameter, in	$V_{max, rms}$	Attenuation, dB/100 ft*
RG-8/U	52	66	29.5	0.405	4000	2.5
RG-8/U foam	50	80	25.4	0.405	1500	1.6
RG-11/U	75	66	20.6	0.405	4000	2.5
RG-11/U foam	75	80	16.9	0.405	1600	1.6
RG-58A/U	53.5	66	28.5	0.195	1900	5.3
RG-59/U	73	66	21.0	0.242	2300	3.4
RG-62A/U	93	86	13.5	0.242	750	2.8
RG-214/U	50	66	30.8	0.425	5000	2.5
9913	50	84	24.0	0.405	—	1.3
Twin-lead (open-line)	300	82	5.8	—	—	0.55

*At 100 MHz.

Figure 13-13 Attenuation versus frequency for common coaxial cables. Note that both scales on the graph are logarithmic.



Example 13-3

A 165-ft section of RG-58A/U at 100 MHz is being used to connect a transmitter to an antenna. Its attenuation for 100 ft at 100 MHz is 5.3 dB. Its input power from a

transmitter is 100 W. What are the total attenuation and the output power to the antenna?

$$\text{Cable attenuation} = \frac{5.3 \text{ dB}}{100 \text{ ft}} = 0.053 \text{ dB/ft}$$

$$\text{Total attenuation} = 0.053 \times 165 = 8.745 \text{ dB or } -8.745$$

$$\text{dB} = 10 \log \frac{P_{\text{out}}}{P_{\text{in}}}$$

$$\frac{P_{\text{out}}}{P_{\text{in}}} = \log^{-1} \frac{\text{dB}}{10} \quad \text{and} \quad P_{\text{out}} = P_{\text{in}} \left(\log^{-1} \frac{\text{dB}}{10} \right)$$

$$P_{\text{out}} = 100 \log^{-1} \left(\frac{-8.745}{10} \right) = 100 \log^{-1} (-0.8745)$$

$$P_{\text{out}} = 100(0.1335) = 13.35 \text{ W}$$

The loss in a cable can be significant, especially at the higher frequencies. In Example 13-3, the transmitter put 100 W into the line, but at the end of the line, the output power—the level of the signal that is applied to the antenna—was only 13.35 W. A major loss of 86.65 W dissipated as heat in the transmission line.

Several things can be done to minimize loss. First, every attempt should be made to find a way to shorten the distance between the transmitter and the antenna. If that is not feasible, it may be possible to use a larger cable. For the application in Example 13-3, the RG-58A/U cable was used. This cable has a characteristic impedance of 53.5Ω , so any value near that would be satisfactory. One possibility would be the RG-8/U, with an impedance of 52Ω and an attenuation of only 2.5 dB/100 ft. An even better choice would be the 9913 cable, with an impedance of 50Ω and an attenuation of 1.3 dB/100 ft.

When you are considering the relationship page 458 between cable length and attenuation, remember that a transmission line is a low-pass filter whose *cutoff frequency* depends both on distributed inductance and

capacitance along the line and on length. The longer the line, the lower its cutoff frequency. This means that higher-frequency signals beyond the cutoff frequency are rolled off at a rapid rate.

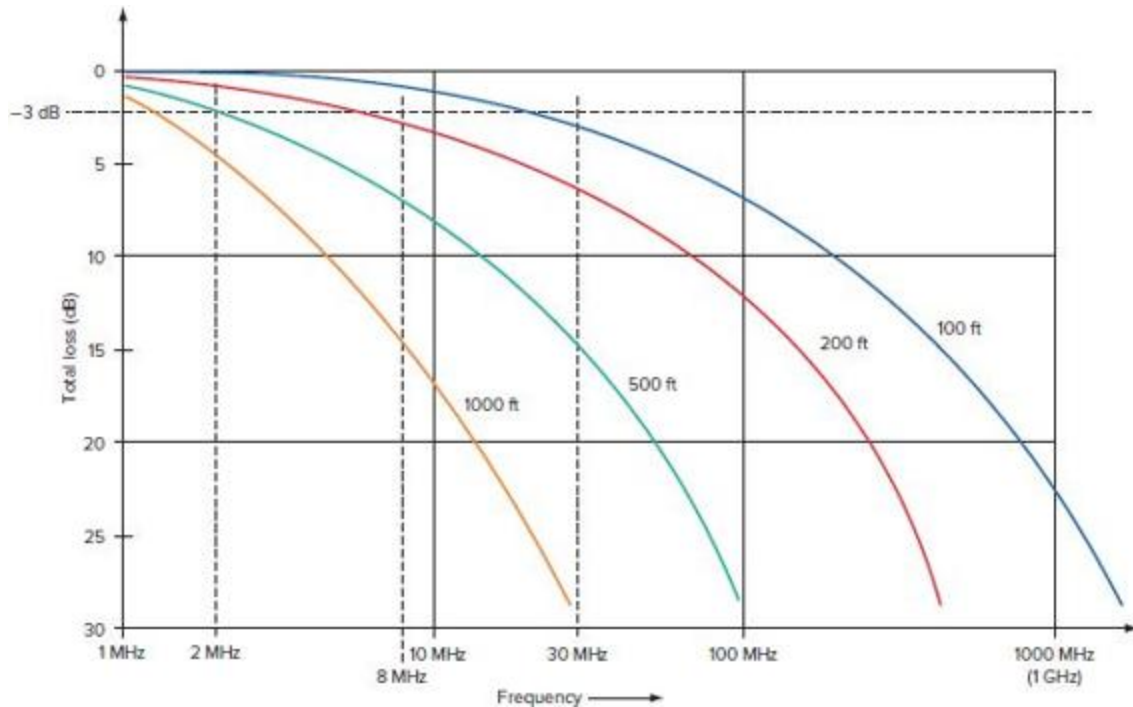
Cutoff frequency

GOOD TO KNOW

Coax cables operate over a wide frequency range. Their main disadvantage is their high attenuation. However, attenuation can be overcome by keeping cables short and/or using amplification. Most cable TV systems use coax to the home that carries signals up to about 1 GHz. Microwave signals above 1 GHz are routinely carried by coax. Coax cables are available to transport signals up to about 70 GHz but only for short distances of a few feet or less.

This is illustrated in Fig. 13-14, which shows attenuation curves for four lengths of a popular type of coaxial cable. Remember that the cutoff frequency is the 3-dB down point on a frequency-response curve. If we assume that an attenuation of 3 dB is the same as a 3-dB loss, then we can estimate the cutoff frequency of different lengths of cable. The 3-dB down level is marked on the graph. Now, note the cutoff frequency for different lengths of cable. The shorter cable (100 ft) has the highest cutoff frequency, making the bandwidth about 30 MHz. The 200-ft cable has a cutoff of about 8 MHz, the 500-ft cable has a cutoff of approximately 2 MHz, and the 1000-ft cable has a cutoff of approximately 1 MHz. The higher frequencies are passed but are severely attenuated by the cable as it gets longer. It should be clear why it is important to use the larger, lower-loss cables for longer runs despite cost and handling inconvenience.

Figure 13-14 Attenuation versus length for RG-58A/U coaxial cable. Note that both scales on the graph are logarithmic.



Finally, a gain antenna can be used to offset cable [page 459](#) loss. These antennas are discussed in Chap. 16.

Example 13-4

A 150-ft length of RG-62A/U coaxial cable is used as a transmission line. Find (a) the load impedance that must be used to terminate the line to avoid reflections, (b) the equivalent inductance per foot, (c) the time delay introduced by the cable, (d) the phase shift that occurs on a 2.5-MHz sine wave, and (e) the total attenuation in decibels. (Refer to Fig. 13-12.)

a. The characteristic impedance is 93Ω ; therefore, the load must offer a resistance of 93Ω to avoid reflections.

$$\text{b. } Z_0 = \sqrt{\frac{L}{C}} \quad Z_0 = 93 \Omega \quad C = 13.5 \text{ pF/ft}$$
$$L = CZ_0^2 = 13.5 \times 10^{-12} \times (93)^2 = 116.76 \text{ nH/ft}$$

$$\text{c. } t_d = \sqrt{LC} = \sqrt{116.76 \times 10^{-9} \times 13.5 \times 10^{-12}} = 1.256 \text{ ns/ft}$$
$$150 \text{ ft} \times 1.256 \text{ ns/ft} = 188.3 \text{ ns}$$

$$\text{d. } T = \frac{1}{f} = \frac{1}{2.5 \times 10^6} = 400 \text{ ns}$$

$$\theta = \frac{188.3(360)}{400} = 169.47^\circ$$

$$\text{e. Attenuation} = \frac{2.8 \text{ dB}}{100 \text{ ft}} = 0.028 \text{ dB/ft}$$

$$150 \text{ ft} \times 0.028 \text{ dB/ft} = 4.2 \text{ dB}$$

13-2 Standing Waves

When a signal is applied to a transmission line, it appears at the other end of the line some time later because of the propagation delay. If a resistive load equal to the characteristic impedance of a line is connected at the end of the line, the signal is absorbed by the load and power is dissipated as heat. If the load is an antenna, the signal is converted to electromagnetic energy and radiated into space.

If the load at the end of a line is an open circuit or a short circuit or has an impedance other than the characteristic impedance of the line, the signal is not fully absorbed by the load. When a line is not terminated properly, some of the energy is reflected from the end of the line and actually moves back up the line, toward the generator. This *reflected* voltage adds to the forward or incident generator voltage and forms a composite voltage that is distributed along the line. This pattern of voltage and its related current constitute what is called a *standing wave*.

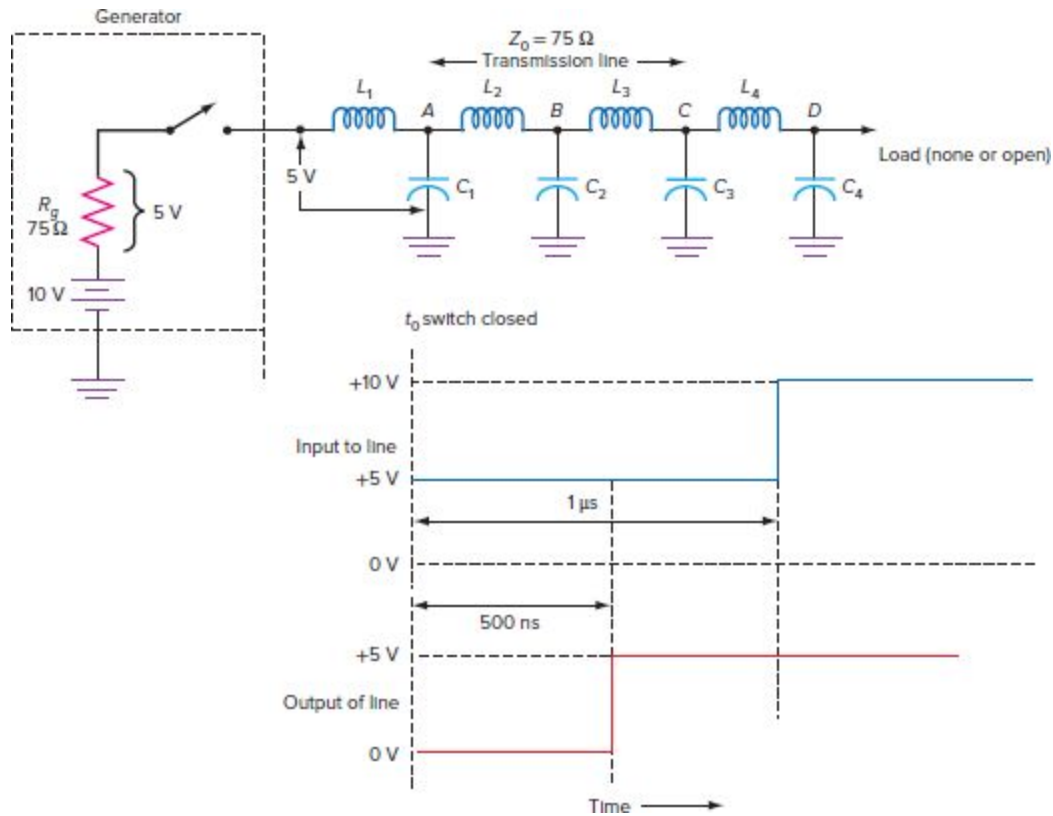
Standing wave

Standing waves are not desirable. The reflection page 460 indicates that the power produced by the generator is not totally absorbed by the load. In some cases, e.g., a short-circuited or open line, no power gets to the load because all the power is reflected back to the generator. The following sections examine in detail how standing waves are generated.

The Relationship Between Reflections and Standing Waves

Fig. 13-15 will be used to illustrate how reflections are generated and how they contribute to the formation of standing waves. Part (a) shows how a dc pulse propagates along a transmission line made up of identical *LC* sections. A battery (generator) is used as the input signal along with a switch to create an on/off dc pulse.

Figure 13-15 How a pulse propagates along a transmission line.



The transmission line is open at the end rather than being terminated in the characteristic impedance of the line. An open transmission line will, of course, produce a reflection and standing waves. Note that the generator has an internal impedance of R_g , which is equal to the characteristic impedance of the transmission line. Assume a transmission line impedance of $75\ \Omega$ and an internal generator resistance of $75\ \Omega$. The 10 V supplied by the generator is, therefore, distributed equally across the impedance of the line and the internal resistance.

Now assume that the switch is closed to connect the generator to the line. As you know, connecting a dc source to reactive components such as inductors and capacitors produces transient signals as the inductors oppose changes in current while the capacitors oppose changes in voltages. Capacitor C_1 initially acts as a short circuit when the switch is closed, but soon begins to charge toward the battery voltage through L_1 . As soon as the voltage at point A begins

to rise, it applies a voltage to the next section of the transmission line made up of C_2 and L_2 . Therefore, C_2 begins to charge through L_2 . The process continues on down the line until C_4 charges through L_4 , and so on. The signal moves down the line from left to right as the capacitors charge. Lossless (zero-resistance) components are assumed, and so the last capacitor C_4 eventually charges to the supply voltage.

For the purposes of this illustration, assume that page 461 the length of the line and its other characteristics are such that the time delay is 500 ns: 500 ns after the switch is closed, an output pulse will occur at the end of the line. At this time, the voltage across the output capacitance C_4 is equal to 5 V or one-half of the supply voltage.

The instant that the output capacitance charges to its final value of 5 V, all current flow in the line ceases, causing any magnetic field around the inductors to collapse. The energy stored in the magnetic field of L_4 is equal to the energy stored in the output capacitance C_4 . Therefore, a voltage of 5 V is induced into the inductor. The polarity of this voltage will be in such a direction that it adds to the charge already on the capacitor. Thus the capacitor will charge to two times the applied 5-V voltage, or 10 V.

A similar effect then takes place in L_3 . The magnetic field across L_3 collapses, doubling the voltage charge on C_3 . Next, the magnetic field around L_2 collapses, charging C_2 to 10 V. The same effect occurs in L_1 and C_1 . Once the signal reaches the right end of the line, a reverse charging effect takes place on the capacitors from right to left. The effect is as if a signal were moving from output to input. This moving charge from right to left is the reflection, or *reflected wave*, and the input wave from the generator to the end of the line is the *incident wave*.

Reflected wave

Incident wave

It takes another 500 ns for the reflected wave to get back to the generator. At the end of 1 μs , the input to the transmission line goes more positive by 5 V, for a total of 10 V.

Fig. 13-15(b) shows the waveforms for the input, output, and reflected voltages with respect to time. Observing the waveforms, follow the previously described action with the closing of the switch at time t_0 . Because both the characteristic impedance of the line and the internal generator resistance are $75\ \Omega$, one-half of the battery voltage appears at the input to the line at point A. This voltage propagates down the line, charging the line capacitors as it goes, until it reaches the end of the line and fully charges the output capacitance. At that time the current in the inductance begins to cease, with magnetic fields collapsing and inducing voltages that double the output voltage at the end of the line. Thus after 500 ns the output across the open end of the line is 10 V.

The reflection begins and now moves back down the line from right to left; after another 500 ns, it reaches the line input, the input to the line to jump to 10 V. Once the reflection stops, the entire line capacitance is fully charged to 10 V, as might be expected.

The preceding description concerned what is known as an *open-circuit load*. Another extreme condition is a *short-circuit load*. For this situation, assume a short across C_4 in Fig. 13-15(a).

When the switch is closed, again 5 V is applied to the input of the line, which is then propagated down the line as the line capacitors charge. Because the end of the line is short-circuited, inductor L_4 is, in effect, the load for this line. The voltage on C_3 is then applied to L_4 . At this point, the reflection begins. The current in L_4 collapses, inducing a voltage which is then propagated down the line in the

opposite direction. The voltage induced in L_4 is equal and opposite to the voltage propagated down the line. Therefore, this voltage is equal and opposite to the voltage on C_3 , which causes C_3 to be discharged. As the reflection works its way back down the line from right to left, the line capacitance is continually discharged until it reaches the generator. It takes 500 ns for the charge to reach the end of the line and another 500 ns for the reflection to move back to the generator. Thus in a total of $1\ \mu\text{s}$, the input voltage switches from 5 to 0 V. Of course, the voltage across the output short remains zero during the entire time.

Open and shorted transmission lines are sometimes used to create special effects. In practice, however, the load on a transmission line is neither infinite nor $0\ \Omega$; rather, it is typically some value in between. The load may be resistive or may have a reactive component. Antennas typically do not have a perfect resistance value. Instead they frequently have a small capacitive or inductive reactance. Thus the load impedance is equivalent to a series RC or RL circuit with an impedance of the form $R \pm jX$. If the load is not exactly resistive and is equal to the characteristic impedance of the line, a reflection is produced, the exact voltage levels depending on the complex impedance of the load. Usually some of the power is absorbed by the resistive part of the line; the mismatch still produces a reflection, but the reflection is not equal to the original signal, as in the case of a shorted or open load.

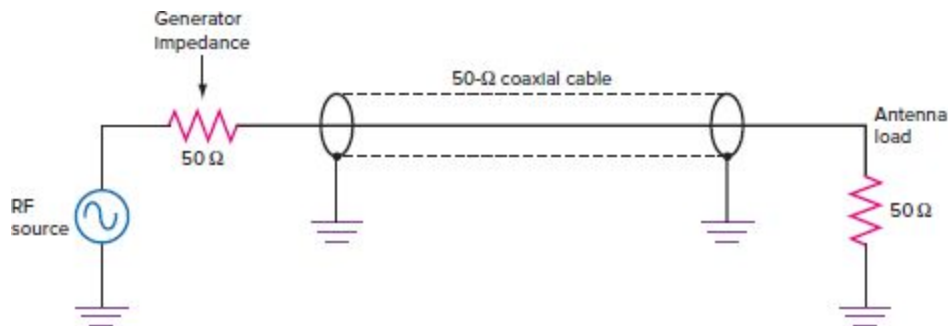
In most communication applications, the signal page 462 applied to a transmission line is an ac signal. This situation can be analyzed by assuming the signal to be a sine wave. The effect of the line on a sine wave is like that described above in the discussion based on an analysis of Fig. 13-15. If the line is terminated in a resistive load equal to the characteristic impedance of the line, the sine wave signal is fully absorbed by the load and no reflection occurs.

Matched Lines

Ideally, a transmission line should be terminated in a load that has a resistive impedance equal to the characteristic impedance of the line. This is called a *matched line*. For example, a 50- Ω coaxial cable should be terminated with a 50- Ω resistance, as shown in Fig. 13-16. If the load is an antenna, then that antenna should look like a resistance of 50 Ω . When the load impedance and the characteristic impedance of the line match, the transmission goes smoothly and maximum power transfer—less any resistive losses in the line—takes place. The line can be any length. One of the key objectives in designing antenna and transmission line systems is to ensure this match.

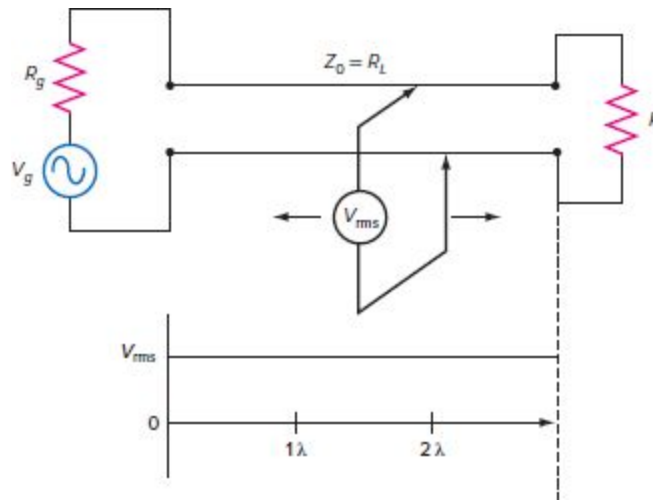
Matched line

Figure 13-16 A transmission line must be terminated in its characteristic impedance for proper operation.



Alternating-current voltage (or current) at any point on a matched line is a constant value (disregarding losses). A correctly terminated transmission line, therefore, is said to be *flat*. For example, if a voltmeter is moved down a matched line from generator to load and the rms voltage values are plotted, the resulting wavelength versus voltage line will be flat (see Fig. 13-17). Resistive losses in the line would, of course, produce a small voltage drop along the line, giving it a downward tilt for greater lengths.

Figure 13-17 The voltage on a matched line is constant over length.



GOOD TO KNOW

When the mismatch between load resistive impedance and line impedance is great, the reflected power can be high enough to damage the transmitter or the line itself.

If the load impedance is different from the line page 463 characteristic impedance, not all the power transmitted is absorbed by the load. The power not absorbed by the load is reflected back toward the source. The power sent down the line toward the load is called *forward* or *incident power*; the power not absorbed by the load is called *reflected power*. The signal actually on a line is simply the algebraic sum of the forward and reflected signals.

Reflected power

Forward (or incident) power

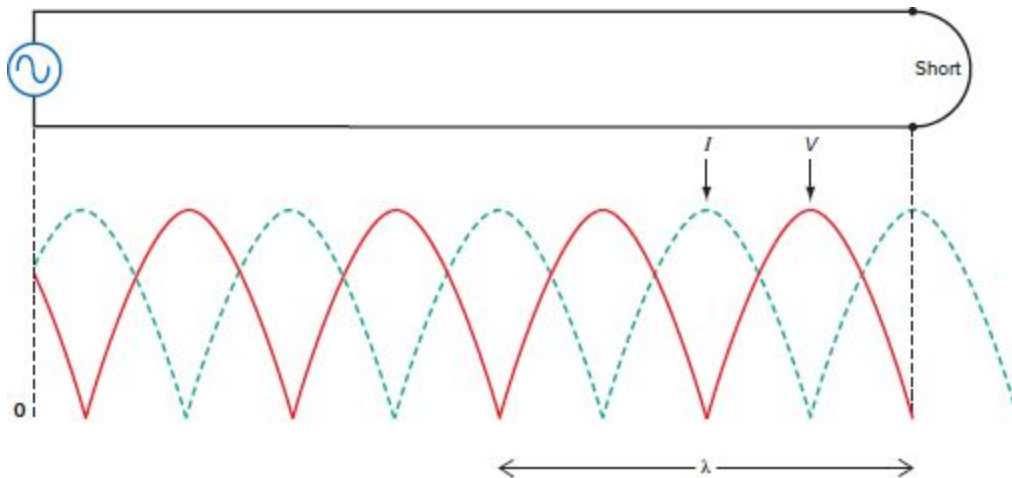
Reflected power can represent a significant loss. If a line has a 3-dB loss end to end, only a 3-dB attenuation of the reflected wave will occur by the time the signal reaches the generator. What happens there depends upon the relative

impedance of the generator and the line. Only part of the reflected energy is dissipated in the line. In cases in which the mismatch between load resistive impedance and line impedance is great, the reflected power can be high enough to actually cause damage to the transmitter or the line itself.

Shorted Lines

The condition for a short circuit is illustrated in Fig. 13-18. The graph below the transmission line shows the plot of voltage and current at each point on the line that would be generated by using the values given by a voltmeter and ammeter moved along the line. As expected in the case of a short at the end of a line, the voltage is zero when the current is maximum. All the power is reflected back toward the generator. Looking at the plot, you can see that the voltage and current variations distribute themselves according to the signal wavelength. The fixed pattern, which is the result of a composite of the forward and reflected signals, repeats every half wavelength. The voltage and current levels at the generator are dependent on signal wavelength and the line length.

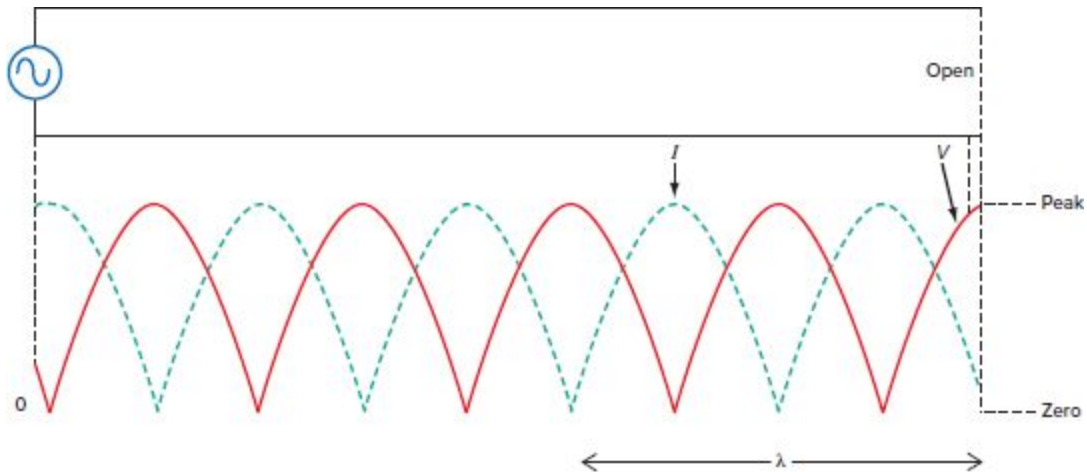
Figure 13-18 Standing waves on a shorted transmission line.



The phase of the reflected voltage at the generator end of the line depends upon the length of the line. If the line is some multiple of one-quarter wavelength, the reflected wave will be in phase with the incident wave and the two will add, producing a signal at the generator that is twice the generator voltage. If the line length is some multiple of one-half wavelength, the reflected wave will be exactly 180° out of phase with the incident wave and the two will cancel, giving a zero voltage at the generator. In other words, the effects of the reflected wave can simulate an open or short circuit at the generator.

Open Lines

Fig. 13-19 shows the standing waves on an open-circuited line. With an infinite impedance load, the voltage at the end of the line is maximum when the current is zero. All the energy is reflected, setting up the stationary pattern of voltage and current standing waves shown.

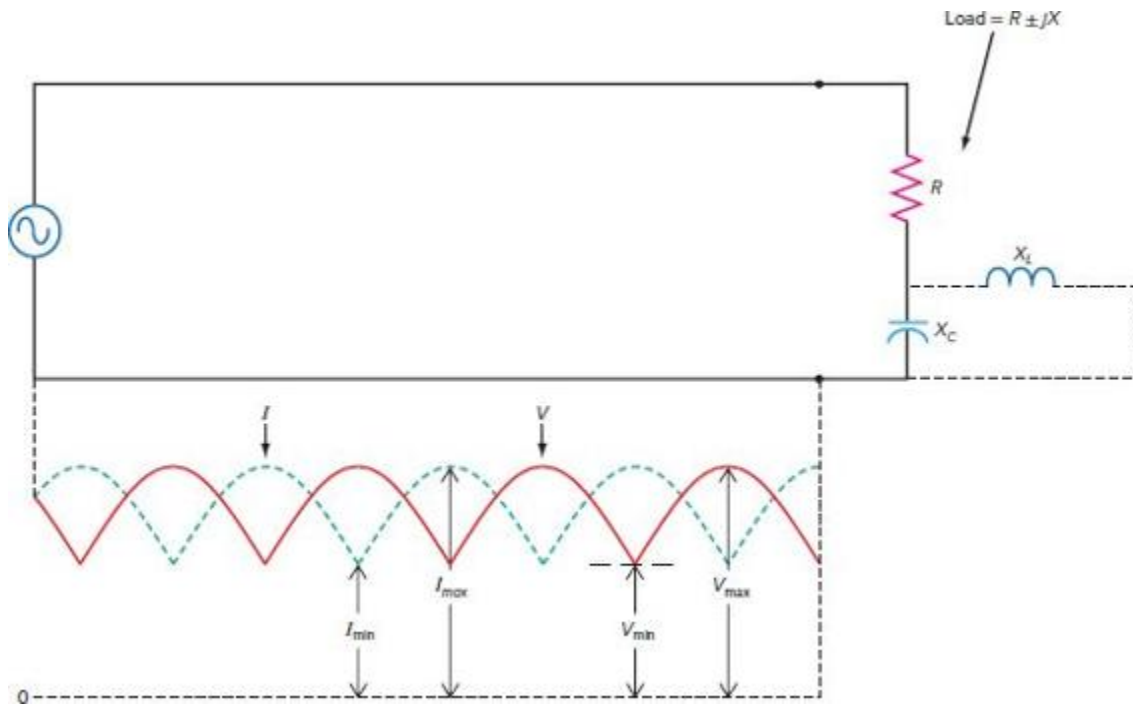


Mismatched (Resonant) Lines

Most often, lines do not terminate in a short or open circuit. Rather, the load impedance does not exactly match the transmission line impedance. Further, the load, usually an antenna, will probably have a reactive component, either inductive or capacitive, in addition to its resistance. Under these conditions, the line is said to be *resonant*. Such a mismatch produces standing waves, but the amplitude of these waves is lower than that of the standing waves resulting from short or open circuits. The distribution of these standing waves looks like that shown in Fig. 13-20. Note that the voltage or current never goes to zero, as it does with an open or shorted line.

Resonant circuit

Figure 13-20 Transmission line with mismatched load and the resulting standing waves.



Calculating the Standing Wave Ratio

page 465

The magnitude of the standing waves on a transmission line is determined by the ratio of the maximum current to the minimum current, or the ratio of the maximum voltage to the minimum voltage, along the line. These ratios are referred to as the *standing wave ratio (SWR)*.

Standing wave ratio (SWR)

$$SWR = \frac{I_{max}}{I_{min}} = \frac{V_{max}}{V_{min}}$$

Under the shorted and open conditions described earlier, the current or voltage minima are zero. This produces an SWR of infinity. It means that no power is dissipated in the load; all the power is reflected.

In the ideal case, there are no standing waves. The voltage and current are constant along the line, so there are

no maxima or minima (or the maximum and minima are the same). Therefore, the SWR is 1.

Measuring the maximum and minimum values of voltage and current on a line is not practical in the real world, so other ways of computing the SWR have been devised. For example, the SWR can be computed if the impedance of the transmission line and the actual impedance of the load are known. The SWR is the ratio of the load impedance Z_l to the characteristic impedance Z_0 , or vice versa.

If $Z_l > Z_0$:

$$\text{SWR} = \frac{Z_l}{Z_0}$$

If $Z_0 > Z_l$:

$$\text{SWR} = \frac{Z_0}{Z_l}$$

For example, if a $75\text{-}\Omega$ antenna load is connected to a $50\text{-}\Omega$ transmission line, the SWR is $75/50 = 1.5$. Since the standing wave is really the composite of the original incident wave added to the reflected wave, the SWR can also be defined in terms of those waves. The ratio of the reflected voltage wave V_r to the incident voltage wave V_i is called the reflection coefficient

$$\Gamma = \frac{V_r}{V_i}$$

The *reflection coefficient* provides information on current and voltage along the line. Also, $\Gamma = \text{reflected power/incident power}$.

Reflection coefficient

If a line is terminated in its characteristic impedance, then there is no reflected voltage, so $V_r = 0$ and $\Gamma = 0$. If the line is

open or shorted, then total reflection occurs. This means that v_r and v_i are the same, so $\Gamma = 1$. The reflection coefficient really expresses the percentage of reflected voltage to incident voltage. If Γ is 0.5, for example, the reflected voltage is 50 percent of the incident voltage, and the reflected power is 25 percent of the incident power [$\Gamma^2 = (0.5)^2 = 0.25$].

If the load is not matched but also is not an open or short, the line will have voltage minima and maxima, as described previously. These can be used to obtain the reflection coefficient by using the formula

$$\Gamma = \frac{V_{\max} - V_{\min}}{V_{\max} + V_{\min}} = \frac{\text{SWR} - 1}{\text{SWR} + 1}$$

The SWR is obtained from the reflection coefficient according to the equation

$$\text{SWR} = \frac{1 + \Gamma}{1 - \Gamma} = \frac{1 + \sqrt{P_r/P_i}}{1 - \sqrt{P_r/P_i}}$$

Example 13-5

An RG-11/U foam coaxial cable has a maximum voltage standing wave of 52 V and a minimum voltage of 17 V. Find (a) the SWR, (b) the reflection coefficient, and (c) the value of a resistive load.

$$\text{a. } \text{SWR} = \frac{V_{\max}}{V_{\min}} = \frac{52}{17} = 3.05$$

$$\text{b. } \Gamma = \frac{V_{\max} - V_{\min}}{V_{\max} + V_{\min}} = \frac{52 - 17}{52 + 17} = \frac{35}{69}$$

$$\Gamma = 0.51$$

or

$$\text{SWR} = \frac{1 + \Gamma}{1 - \Gamma}$$

$$\Gamma = \frac{\text{SWR} - 1}{\text{SWR} + 1} = \frac{3.05 - 1}{3.05 + 1} = \frac{2.05}{4.05} = 0.51$$

$$\text{c. } \text{SWR} = 3.05 \quad Z_0 = 75 \Omega \quad \text{SWR} = \frac{Z_l}{Z_0} = \frac{Z_0}{Z_l}$$

$$Z_l = Z_0 (\text{SWR}) = 75(3.05) = 228.75 \Omega$$

or

$$Z_l = \frac{Z_0}{\text{SWR}} = \frac{75}{3.05} = 24.59 \Omega$$

If the load matches the line impedance, then $\Gamma = 0$. The preceding formula gives an SWR of 1, as expected. With an open or shorted load, $\Gamma = 1$. This produces an SWR of infinity.

The reflection coefficient can also be determined from the line and load impedances:

$$\Gamma = \frac{Z_l - Z_0}{Z_l + Z_0}$$

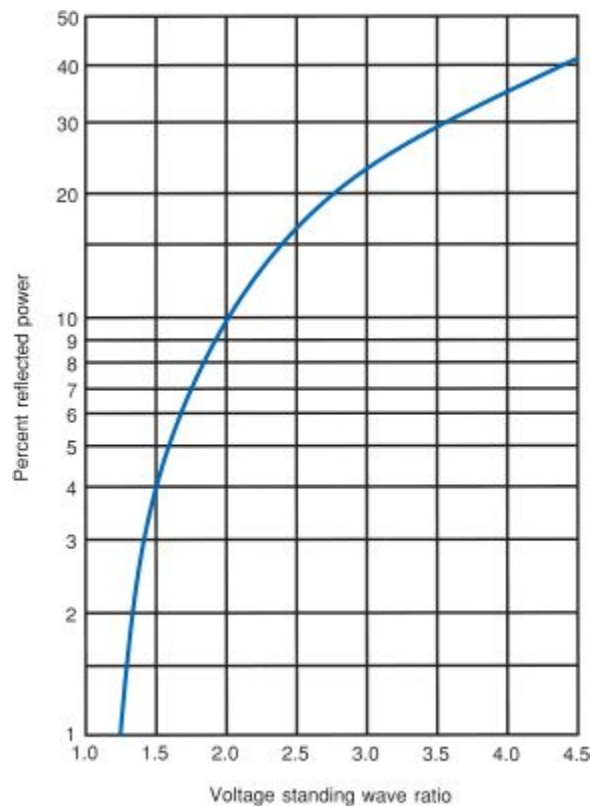
For the example of an antenna load of 75Ω and a coaxial cable of 50Ω , the reflection coefficient is $\Gamma = (75 - 50)/(75 + 50) = 25/125 = 0.2$.

The importance of the SWR is that it gives a relative indication of just how much power is lost in the transmission line and the generator. This assumes that none of the reflected power is re-reflected by the generator. In a typical transmitter, some power is reflected and sent to the load again.

The curve in Fig. 13-21 shows the relationship between the percentage of reflected power and the SWR. The percentage of reflected power is also expressed by the term *return loss* and is given directly in watts or decibels (dB). Naturally, when the standing wave ratio is 1, the percentage of reflected power is 0. But as a line and load mismatch grows, reflected power increases. When the SWR is 1.5, the percentage of reflected power is 4 percent. This is still not too bad, as 96 percent of the power gets to the load.

Return loss

Figure 13-21 Percentage of reflected power on a transmission line page 467
for different SWR values.



It is possible to compute reflected power P_r if given the SWR and the incident power P_i . Since $\Gamma^2 = P_r/P_i$, then $P_r = \Gamma^2 P_i$.

Knowing the SWR, you can compute Γ and then solve by using the preceding equation.

$$\begin{aligned}\frac{P_r}{P_i} &= \Gamma^2 = \left(\frac{\text{SWR} - 1}{\text{SWR} + 1} \right)^2 \\ &= \left(\frac{1.5 - 1}{1.5 + 1} \right)^2 \\ &= (0.2)^2 \\ &= 0.04 \\ \frac{P_r}{P_i} &= 4\%\end{aligned}$$

One of the best and most practical ways to compute the SWR is to measure the forward power P_f and reflected power P_r and then use the formula

GOOD TO KNOW

To calculate the SWR, first determine the square root of the ratio of the reflected power to the forward power $\sqrt{P_r/P_f}$. Then

$$\text{SWR} = \frac{1 + \sqrt{P_r/P_f}}{1 - \sqrt{P_r/P_f}}$$

$$\text{SWR} = \frac{1 + \sqrt{P_r/P_i}}{1 - \sqrt{P_r/P_i}}$$

Several good circuits have been invented to measure forward and reflected power. And commercial test instruments are also available that can be inserted into a transmission line and make these measurements. The data is read from a front panel meter or digital display. Then the figures are plugged into the formula above. Some sophisticated test instruments have a built-in embedded computer to make this calculation automatically and display the SWR value.

For example, assume that you measure a forward page 468 power of 35 W and a reflected power of 7 W. The SWR is

$$\begin{aligned} \text{SWR} &= \frac{1 + \sqrt{7/35}}{1 - \sqrt{7/35}} = \frac{1 + \sqrt{0.2}}{1 - \sqrt{0.2}} \\ \text{SWR} &= \frac{1 + 0.4472}{1 - 0.4472} = \frac{1.4472}{0.5528} \\ \text{SWR} &= 2.618 \end{aligned}$$

You will learn about the most common power-measuring circuits and equipment in Chap. 23.

For SWR values of 2 or less, the reflected power is less than 10 percent, which means that 90 percent gets to the load. For most applications this is acceptable. For SWR values higher than 2, the percentage of reflected power increases dramatically, and measures must be taken to reduce the SWR to prevent potential damage. Some solid-state systems shut down automatically if the SWR is greater than 2. The most common approach to reducing the SWR is to add or include a π , L, or T LC network to offset antenna reactance and other resistive components and to produce an impedance match. Antenna length can also be adjusted to improve the impedance match.

Example 13-6

The line input to the cable in Example 13-5 is 30 W. What is the output power? (See Fig. 13-21; disregard attenuation due to length.)

The percentage of reflected power with the SWR of 3.05 is about 25.62.

Alternatively,

$$\begin{aligned}P_r &= 0.2562(30 \text{ W}) = 7.686 \text{ W} \\P_r &= P_i \left(\frac{\text{SWR} - 1}{\text{SWR} + 1} \right)^2 \\&= 30 \left(\frac{3.05 - 1}{3.05 + 1} \right)^2 \\&= 7.686 \text{ W} \\P_{\text{out}} &= P_i - P_r = 30 - 7.686 = 22.314 \text{ W}\end{aligned}$$

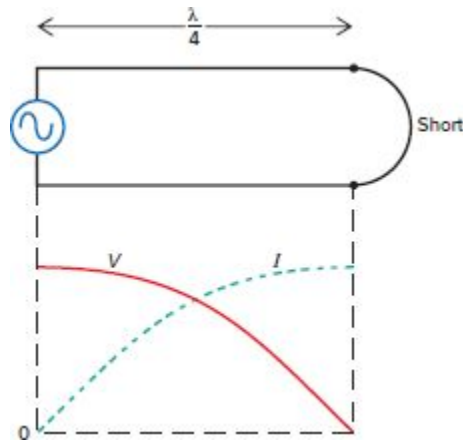
13-3 Transmission Lines as Circuit Elements

The standing wave conditions resulting from open- and short-circuited loads must usually be avoided in working with transmission lines. However, with one-quarter and one-half wavelength transmissions, these open- and short-circuited loads can be used as resonant or reactive circuits.

Resonant Circuits and Reactive Components

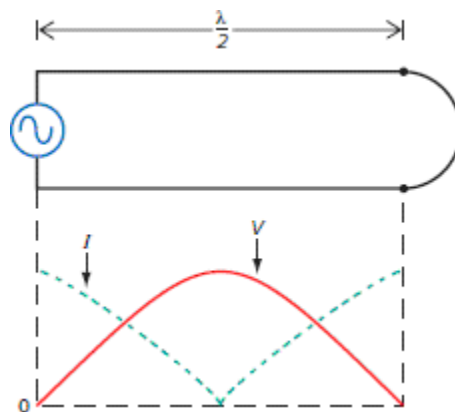
Consider the shorted one-quarter wavelength ($\lambda/4$) line shown in Fig. 13-22. At the load end, voltage is zero and current is maximum. But one-quarter wavelength back, at the generator, the voltage is maximum and the current is zero. To the generator, the line appears as an open circuit, or at least a very high impedance. The key point here is that this condition exists at only one frequency, the frequency at which the line is exactly one-quarter wavelength. Because of this frequency sensitivity, the line acts as an *LC* tuned or resonant circuit, in this case, a parallel resonant circuit because of its very high impedance at the reference frequency.

Figure 13-22 A shorted one-quarter wavelength line acts as a parallel resonant circuit.



With a shorted one-half wavelength line, the standing wave pattern is like that shown in Fig. 13-23. The generator sees the same conditions as at the end of the line, i.e., zero voltage and maximum current. This represents a short or very low impedance. That condition occurs only if the line is exactly one-half wavelength long at the generator frequency. In this case, the line looks like a series resonant circuit to the generator.

Figure 13-23 A shorted one-half wavelength line acts as a series resonant circuit.



If the line length is less than one-quarter wavelength at the operating frequency, the shorted line looks like an

inductor to the generator. If the shorted line is between one-quarter and one-half wavelength, it looks like a capacitor to the generator. All these conditions repeat with multiple one-quarter or one-half wavelengths of shorted line.

Similar results are obtained with an open line, as shown in Fig. 13-24. To the generator, a one-quarter wavelength line looks like a series resonant circuit and a one-half wavelength line looks like a parallel resonant circuit, just the opposite of a shorted line. If the line is less than one-quarter wavelength, the generator sees a capacitance. If the line is between one-quarter and one-half wavelength, the generator sees an inductance. These characteristics repeat for lines that are some multiple of one-quarter or one-half wavelengths.

Figure 13-24 One-quarter and one-half wavelength open lines look like resonant circuits to a generator.

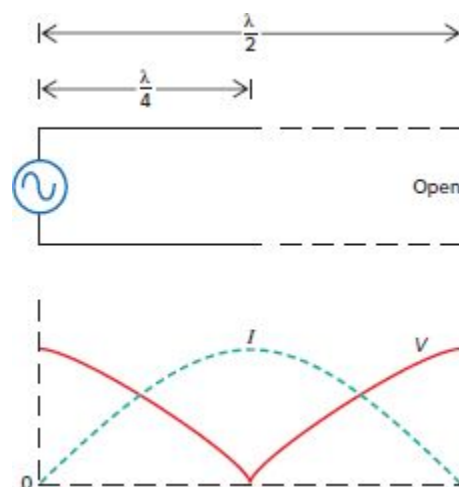
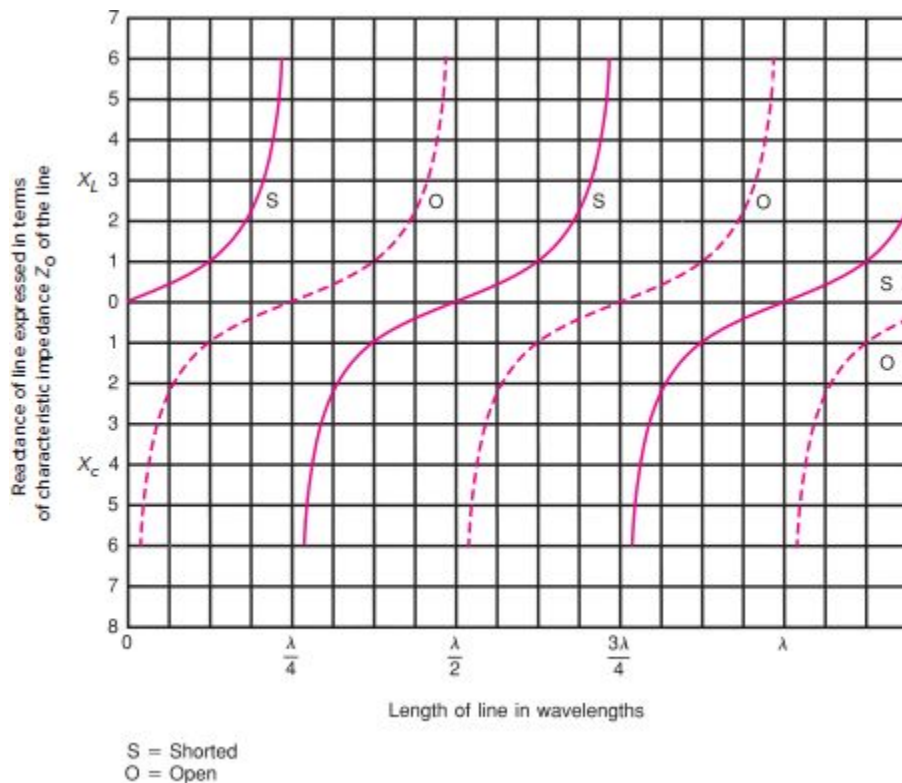


Fig. 13-25 is a summary of the conditions page 470 represented by open and shorted lines of lengths up to one wavelength. The horizontal axis is length, in wavelengths, and the vertical axis is the reactance of the line, in ohms, expressed in terms of the line's characteristic impedance. The solid curves are shorted lines and the dashed curves are open-circuit lines.

Figure 13-25 Summary of impedance and reactance variations of shorted and open lines for lengths up to one wavelength.



If the line acts as a series resonant circuit, its impedance is zero. If the line is of such a length that it acts as a parallel resonant circuit, its impedance is near infinity. If the line is some intermediate length, it is reactive. For example, consider a shorted one-eighth wavelength line. The horizontal divisions represent one-sixteenth wavelength, so two of these represent one-eighth wavelength. Assume that the line has a characteristic impedance of $50\ \Omega$. At the one-eighth wavelength point on the left-hand solid curve is a reading of 1. This means that the line acts as an inductive reactance of $1 \times Z_0$, or $1 \times 50 = 50\ \Omega$. An open line about three-eighths wavelength would have the same effect, as the leftmost dashed curve in Fig. 13-24 indicates.

How could a capacitive reactance of $150\ \Omega$ be created with the same $50\text{-}\Omega$ line? First, locate the $150\text{-}\Omega$ point on the capacitive reactance scale in Fig. 13-25. Since $150/50 = 3$, the

$150\text{-}\Omega$ point is at $X_c = 3$. Next, draw a line from this point to the right until it intersects with two of the curves. Then read the wavelength from the horizontal scale. A capacitive reactance of $150\text{-}\Omega$ with a $50\text{-}\Omega$ line can be achieved with an open line somewhat longer than $\frac{1}{32}$ wavelength or a shorted line a bit longer than $\frac{9}{32}$ wavelength.

Stripline and Microstrip

At low frequencies (below about 300 MHz), the characteristics of open and shorted lines discussed in the previous sections have little significance. At low frequencies the lines are just too long to be used as reactive components or as filters and tuned circuits. However, at UHF (300 to 3000 MHz) and microwave (1 GHz and greater) frequencies the length of one-half wavelength is less than 1 ft; the values of inductance and capacitance become so small that it is difficult to realize them physically with standard coils and capacitors. Special transmission lines constructed with copper patterns on a *printed-circuit board (PCB)*, called *microstrip* or *stripline*, can be used as tuned circuits, filters, phase shifters, reactive components, and impedance-matching circuits at these high frequencies.

Printed-circuit board (PCB)

Microstrip

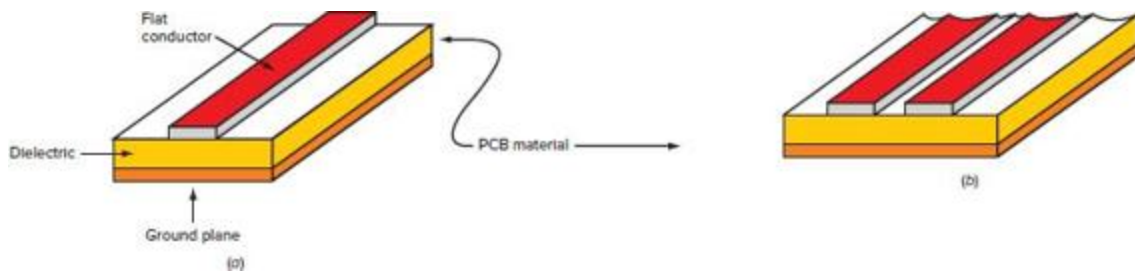
Stripline

A PCB is a flat insulating base made of fiberglass or some other insulating base material to which is bonded copper on one or both sides and sometimes in several layers. Teflon or ceramic is used as the base for some PCBs in microwave applications. In microwave ICs, the base is often alumina or even sapphire. The copper is etched away in patterns to form the interconnections for transistors, ICs, resistors, and other components. Thus point-to-point connections with

wire are eliminated. Diodes, transistors, and other components are mounted right on the PCB and connected directly to the formed microstrip or stripline.

Microstrip. Microstrip is a flat conductor separated by an insulating dielectric from a large conducting ground plane [Fig. 13-26(a)]. The microstrip is usually one-quarter or one-half wavelength long. The ground plane is the circuit common. This type of microstrip is equivalent to an unbalanced line. Shorted lines are usually preferred over open lines. Microstrip can also be made in a two-line balanced version [Fig. 13-26(b)].

Figure 13-26 Microstrip. (a) Unbalanced. (b) Balanced.



The characteristic impedance of microstrip, as with any transmission line, is dependent on its physical characteristics. It can be calculated by using the formula

$$Z = \frac{87}{\sqrt{\epsilon + 1.41}} \ln \frac{5.98h}{0.8w + t}$$

where Z = characteristic impedance

ϵ = dielectric constant

w = width of copper trace

t = thickness of copper trace

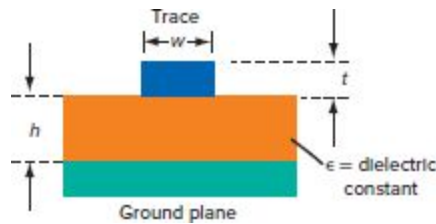
h = distance between trace and ground plane (dielectric thickness) of dielectric

Any units of measurement can be used (e.g., inches or millimeters), as long as all dimensions are in the same units. (See Fig. 13-27.) The dielectric constant of the popular FR-4 fiberglass PC board material is 4.5. The value of ϵ for Teflon is 3.

Any units of measurement can be used (e.g., inches or millimeters), as long as all dimensions are in the same units.

(See Fig. 13-27.) The dielectric constant of the popular FR-4 fiberglass PC board material is 4.5. The value of ϵ for Teflon is 3.

Figure 13-27 Dimensions for calculating characteristic impedance.



The characteristic impedance of microstrip with the dimensions $h = 0.0625$ in, $w = 0.1$ in, $t = 0.003$ in, and $\epsilon = 4.5$ is

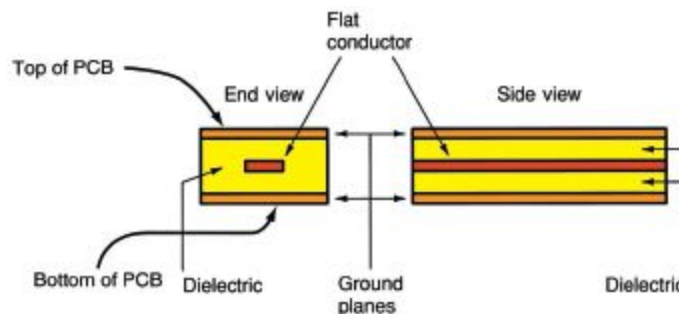
$$Z = \frac{87}{\sqrt{4.5 + 1.41}} \ln \frac{5.98(.0625)}{0.8(0.1) + 0.003}$$

$$= 35.8 \ln 4.5 = 35.8(1.5)$$

$$Z = 53.9 \Omega$$

Stripline. Stripline is a flat conductor sandwiched between two ground planes (Fig. 13-28). It is more difficult to make than microstrip; however, it does not radiate as microstrip does. Radiation produces losses. The length is one-quarter or one-half wavelength at the desired operating frequency, and shorted lines are more commonly used than open lines.

Figure 13-28 Stripline.

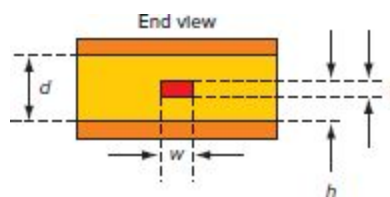


The characteristic impedance of stripline is given by the formula

$$Z = \frac{60}{\epsilon} \ln \frac{4d}{0.67\pi w(0.8 + t/h)}$$

Fig. 13-29 shows the dimensions required to make the calculations.

Figure 13-29 Dimensions for calculating stripline impedance.



Even tinier microstrip and striplines can be made by using monolithic, thin-film, and hybrid IC techniques. When these are combined with diodes, transistors, and other components, *microwave integrated circuits (MICs)* are formed.

Microwave integrated circuits (MICs)

Example 13-7

A microstrip transmission line is to be used as a capacitor of 4 pF at 800 MHz. The PCB dielectric is 3.6. The microstrip dimensions are $h = 0.0625$ in, $w = 0.13$ in, and $t = 0.002$ in. What are (a) the characteristic impedance of the line and (b) the reactance of the capacitor?

$$\begin{aligned}
 \text{a. } Z_0 &= \frac{87}{\sqrt{\epsilon + 1.41}} \ln \frac{5.98h}{0.8w + t} \\
 &= \frac{87}{\sqrt{3.6 + 1.41}} \ln \frac{5.98(0.0625)}{0.8(0.13) + 0.002} \\
 &= \frac{87}{2.24} \ln \frac{0.374}{0.106} \\
 &= (38.8)(1.26) = 48.9 \Omega
 \end{aligned}$$

$$\text{b. } X_C = \frac{1}{2\pi f C} = \frac{1}{2\pi(800 \times 10^6)(4 \times 10^{-12})} = 49.74 \Omega$$

Example 13-8

What is the length of the transmission line in Example 13-7?

Refer to Fig. 13-25. Take the ratio of X_C to Z_0 .

$$\frac{X_C}{Z_0} = \frac{49.76}{48.9} = 1.02 \approx 1$$

Locate 1 on the X_C vertical region of the graph. Move to the right to encounter the dashed curve for an open line. Read the wavelength on the lower horizontal axis of $\frac{2}{16}$ or $\frac{1}{8} \lambda$.

$$\begin{aligned}
 \lambda &= \frac{984}{800} = 1.23 \text{ ft} & \frac{\lambda}{8} &= \frac{1.23}{8} = 0.15375 \text{ ft} \\
 0.15375 \text{ ft} \times 12 \text{ in/ft} &= 1.845 \text{ in}
 \end{aligned}$$

The velocity of propagation is

$$\begin{aligned}
 V_p &= \frac{1}{\sqrt{\epsilon}} = \frac{1}{\sqrt{3.6}} = 0.527 \\
 \frac{\lambda}{8} \times V_p &= 1.845 \text{ in} \times V_p = 1.845 \times 0.527 = 0.9723 \text{ in}
 \end{aligned}$$

13-4 The Smith Chart

The mathematics required to design and analyze transmission lines is complex, whether the line is a physical cable connecting a transceiver to an antenna or is being used as a filter or impedance-matching network. This is so because the impedances involved are complex ones, involving both resistive and reactive elements. The impedances are in the familiar rectangular form $R + jX$. Computations with complex numbers such as this are long and time-consuming. Furthermore, many calculations involve trigonometric relationships. Although no individual calculation is difficult, the sheer volume of the calculations can lead to errors.

In the 1930s, one clever engineer decided to do [page 474](#) something to reduce the chance of error in transmission line calculations. The engineer's name was Philip H. Smith, and in January 1939 he published the *Smith chart*, a sophisticated graph that permits visual solutions to transmission line calculations.

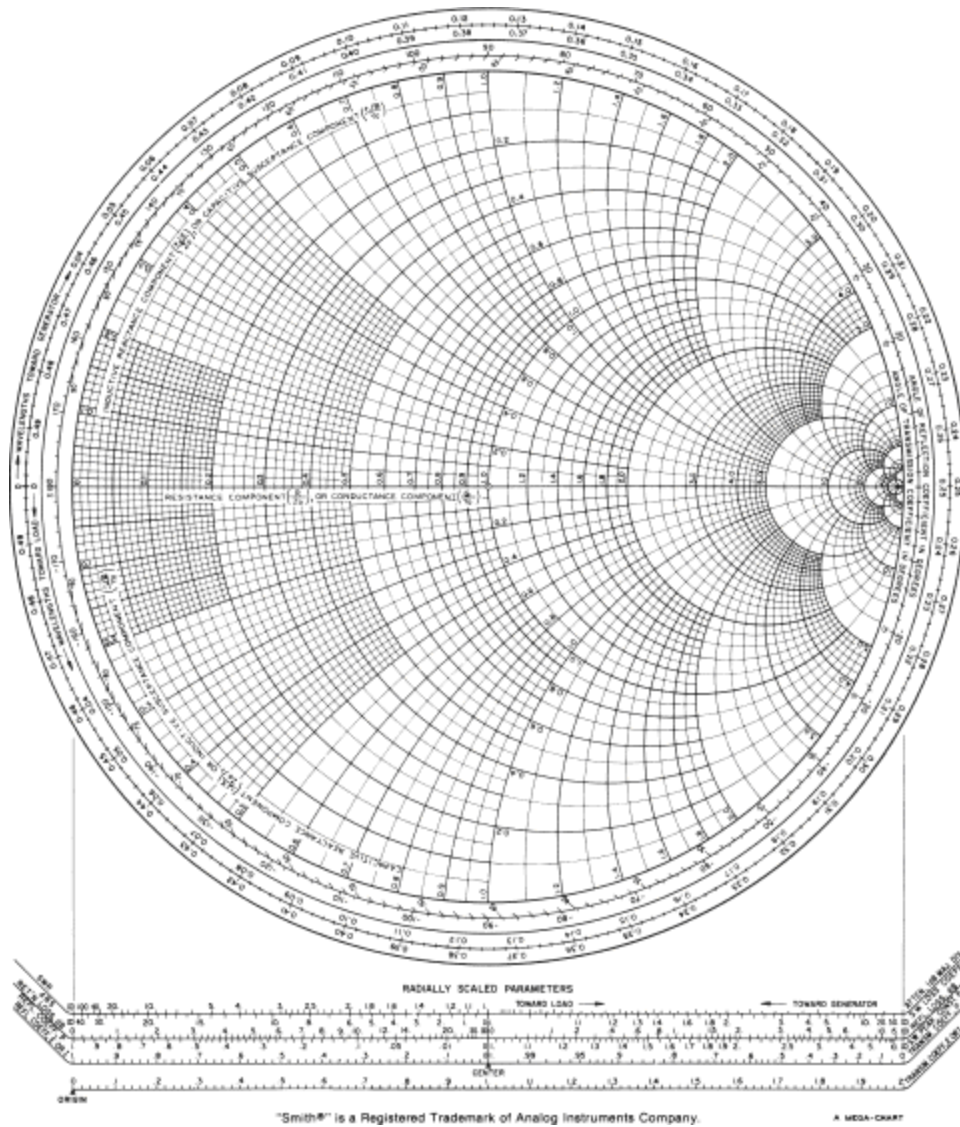
Smith chart

Today, of course, the mathematics of transmission line calculations is not a problem, because of the wide availability of electronic computing options. Transmission line equations can be easily programmed into a scientific and engineering calculator for fast, easy solutions. Personal computers provide an ideal way to make these calculations, either by using special mathematics software packages or by using C, or another language to write the specific programs. The math software packages commonly available today for engineering and scientific computation also provide graphical outputs, if desired.

Despite the availability of all the computing options today, the Smith chart is still used. Its unique format provides a more or less standardized way of viewing and solving transmission line and related problems. Furthermore, a graphical representation of an equation conveys more information than is gained by a simple inspection of the equation. For these reasons, it is desirable to become familiar with the Smith chart.

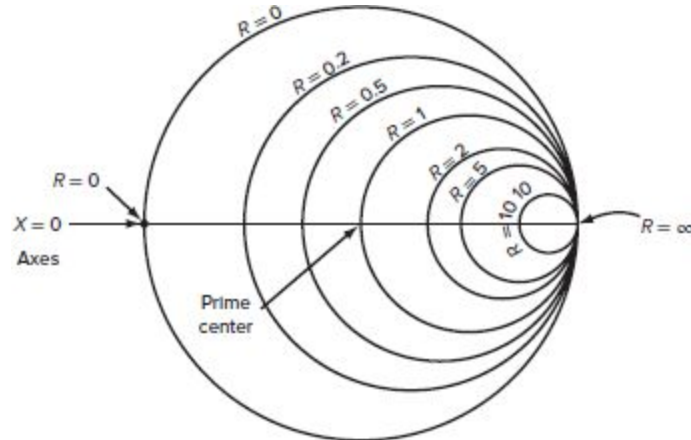
Fig. 13-30 is a Smith chart. This imposing graph is created by plotting two sets of orthogonal (at right angles) circles on a third circle. Smith chart graph paper is available from the original publisher, Analog Instruments Company, and from the American Radio Relay League. Smith chart graph paper is also available in some college and university bookstores.

Figure 13-30 The Smith chart.



The first step in creating a Smith chart is to plot a page 475 set of eccentric circles along a horizontal line, as shown in Fig. 13-31. The horizontal axis is the pure resistance or zero-reactance line. The point at the far left end of the line represents zero resistance, and the point at the far right represents infinite resistance. The resistance circles are centered on and pass through this pure resistance line. The circles are all tangent to one another at the infinite resistance point, and the centers of all the circles fall on the resistance line.

Figure 13-31 Resistance circles on a Smith chart.



Each circle represents all the points of some fixed resistance value. Any point on the outer circle represents a resistance of $0\ \Omega$. The other circles have other values of resistance. The $R = 1$ circle passes through the exact center of the resistance line and is known as the *prime center*. Values of pure resistance and the characteristic impedance of transmission line are plotted on this line.

Prime center

The most common transmission line impedance in use today is $50\ \Omega$. For that reason, most of the impedances and reactances are in the $50\text{-}\Omega$ range. It is convenient, then, to have the value of $50\ \Omega$ located at the prime center of the chart. This means that all points on the $R = 1$ circle represent $50\ \Omega$, all points on the $R = 0.5$ circle represent $25\ \Omega$, all points on the $R = 0.5$ circle represent $25\ \Omega$, and so on.

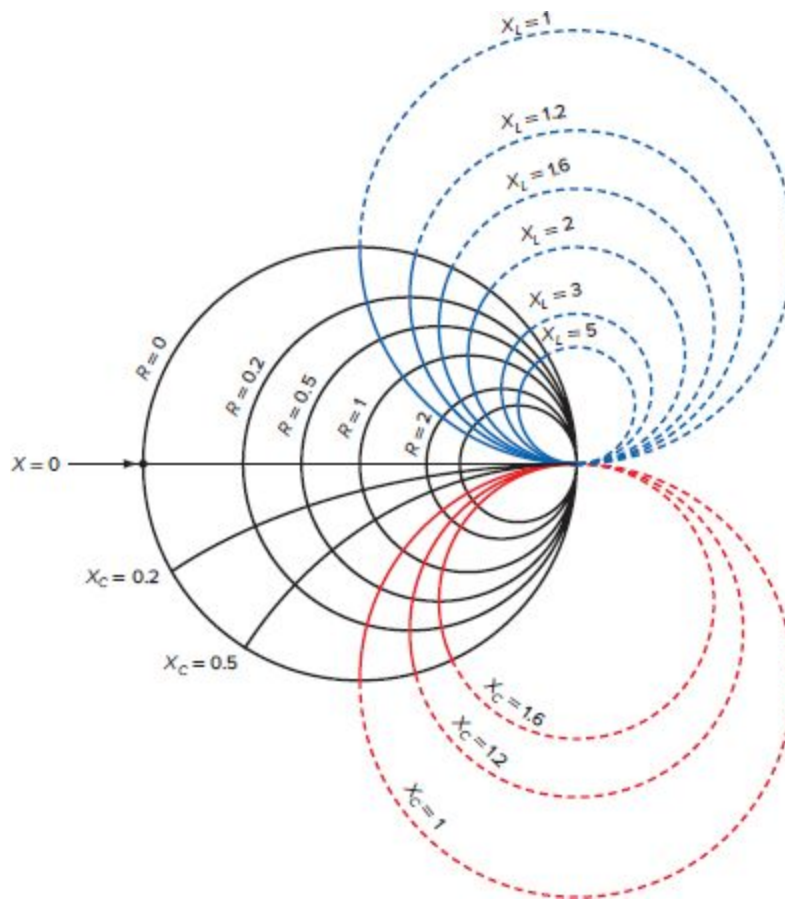
Smith charts are in what is called *normalized* form, with $R = 1$ at the prime center. Users customize the Smith chart for specific applications by assigning a different value to the prime center.

Normalized

The remainder of the Smith chart is completed by adding reactance circles, as shown in Fig. 13-32. Like the resistive circles, these are eccentric, with all circles meeting at the

infinite resistance point. Each circle represents a constant reactance point, with the inductive-reactance circles at the top and the capacitive-reactance circles at the bottom. Note that the reactance circles on the chart are incomplete. Only those segments of the circles within the $R=0$ line are included on the chart. Like the resistive circles, the reactive circles are presented in normalized form. Compare Figs. 13-31 and 13-32 to the complete Smith chart in Fig. 13-30 before you proceed.

Figure 13-32 Reactance circles on the Smith chart.



Plotting and Reading Impedance Values

The Smith chart in Fig. 13-33 shows several examples of plotted impedance values:

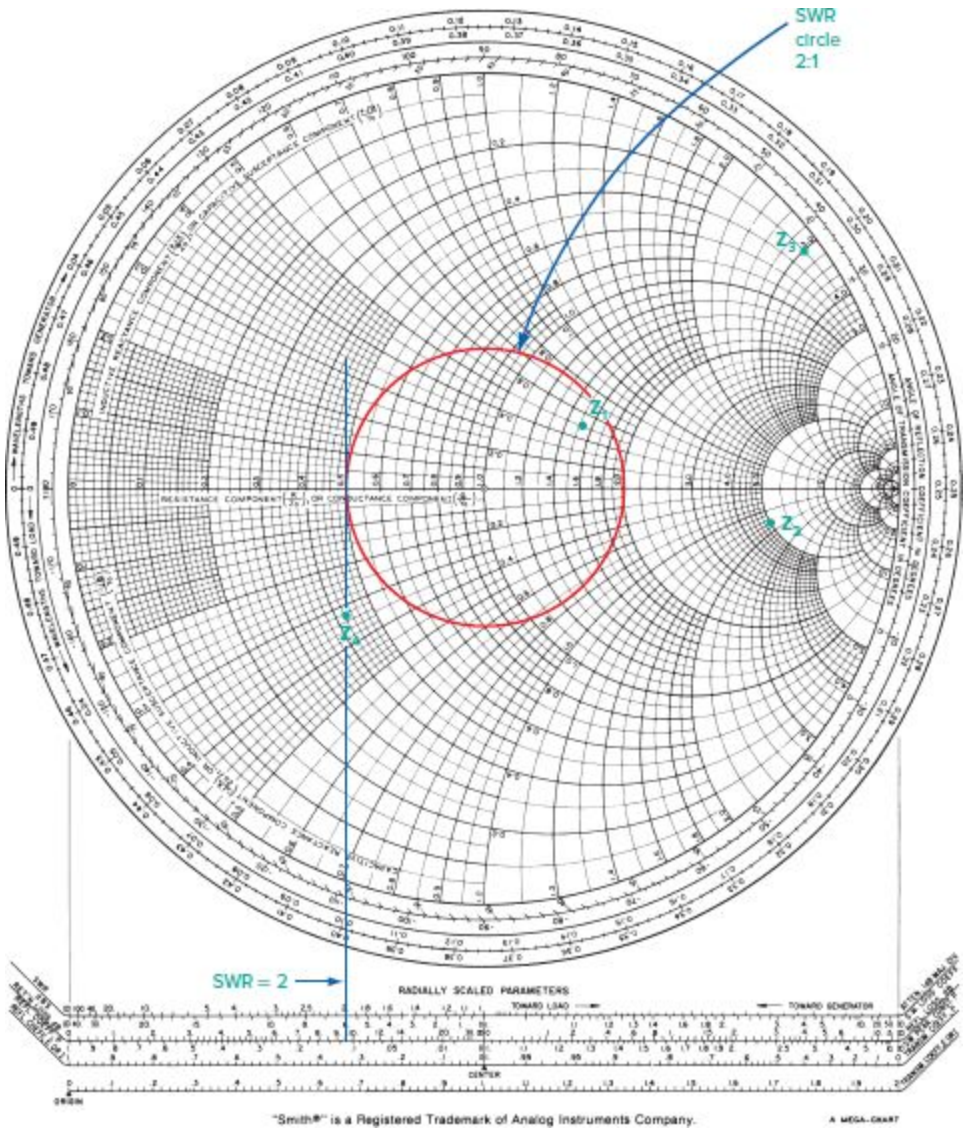
$$Z_1 = 1.5 + j0.5$$

$$Z_2 = 5 - j1.6$$

$$Z_3 = 0.2 + j3$$

$$Z_4 = 0.4 - j0.36$$

Figure 13-33 Smith chart with four impedance values plotted.



Locate each of those points on the Smith chart, and page 476 be sure that you understand how each was

obtained.

The impedance values plotted in Fig. 13-33 are normalized values. Scaling the Smith chart to a particular impedance range requires multiplying those values by some common factor. For example, many Smith charts are plotted with $50\ \Omega$ at the prime center. The above-listed impedances for a prime center value of $50\ \Omega$ would be as follows:

$$Z_1 = 75 + j25$$

$$Z_2 = 250 - j80$$

$$Z_3 = 25 + j150$$

$$Z_4 = 20 - j18$$

To solve problems with real impedance values, put them into normalized form by dividing the resistive and reactive numbers by a factor equal to the resistance value at prime center. Then plot the numbers.

When you are reading values from a normalized Smith chart, convert them to standard impedance form by multiplying the resistance and reactance by a factor equal to the resistance of the prime center.

Wavelength Scales

The three scales on the outer perimeter of the Smith chart in Fig. 13-30 are wavelength toward the generator, wavelength toward the load, and angle of reflection coefficient in degrees. The scale labeled “toward generator” begins at the zero-resistance and zero-reactance line and moves clockwise around to the infinite resistance position. One-half of a circular rotation is 90° , and on the Smith chart scale, it represents one-quarter wavelength. One full rotation is one-half wavelength. The transmission line patterns of voltage and current distributed along a line repeat every one-half wavelength.

The scale labeled “toward load” also begins at [page 477](#) the zero-resistance, zero-reactance point and goes in a counterclockwise direction for one complete rotation, or one-half wavelength. The infinite resistance point is the one-quarter wavelength mark.

The reflection coefficient (the ratio of the reflected voltage to the incident voltage) has a range of 0 to 1, but it can also be expressed as an angle from 0° to 360° , from 0° to positive 180° , or from 0° to minus 180° . The zero marker is at the infinite resistance point on the right hand of the resistance line.

SWR Circle

The SWR of a transmission line plotted on the Smith chart is a circle. If the load is resistive and matched to the characteristic impedance of the line, the standing wave ratio is 1. This is plotted as a single point at the prime center of the Smith chart. The impedance of the line is flat at $50\ \Omega$ or any other normalized value. However, if the load is not perfectly matched to the prime impedance, standing waves will exist. The SWR in such cases is represented by a circle whose center is the prime center.

To draw an SWR circle, first calculate the SWR by [page 478](#) using one of the previously given formulas. For this example, assume an SWR of 2. Starting at the prime center, move to the right on the resistance line until the value 2 is encountered. Then, using a drawing compass, place the point at the center and draw a circle through the 2 mark to the right of prime center. The circle should also pass through the 0.5 mark to the left of prime center. The red circle drawn in Fig. 13-33 represents a plot of the impedance variations along an unmatched or resonant transmission line. The variations in the voltage and current standing

waves mean that there is a continuous variation in the impedance along the line. In other words, the impedance at one point on the unmatched line is different from the impedance at all other points on the line. All the impedance values appear on the SWR circle.

GOOD TO KNOW

The linear scales printed at the bottom of Smith charts are used to find the SWR, dB loss, and reflection coefficient.

The SWR circle can also be used to determine the maximum and minimum voltage points along the line. For example, the point at which the SWR circle crosses the resistance line to the right of the prime center indicates the point of maximum or peak voltage of the standing wave in wavelengths from the load. This is also the maximum impedance point on the line. The point at which the SWR circle passes through the resistance line to the left of prime center indicates the minimum voltage and impedance points.

The linear scales printed at the bottom of Smith charts are used to find the SWR, dB loss, and reflection coefficient. For example, to use the linear SWR scale, simply draw a straight line tangent to the SWR circle and perpendicular to the resistance line on the left side of the Smith chart. Make the line long enough that it intersects the SWR scale at the bottom of the chart. This has been done in Fig. 13-33. Note that the SWR circle for a value of 2 can be read from the linear SWR scale.

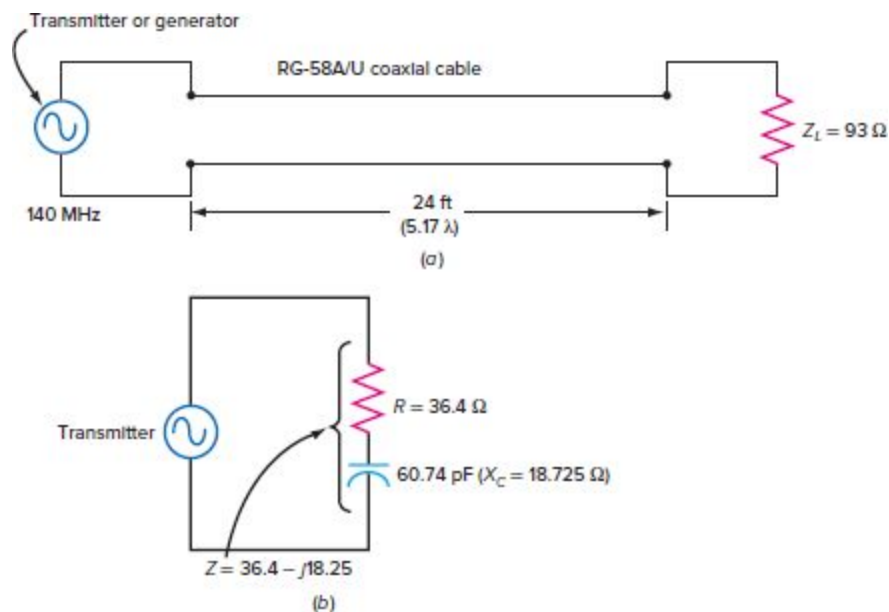
Using the Smith Chart: Examples

As discussed above, when the load does not match the characteristic impedance in a given application, the length

of the line becomes a part of the total impedance seen by the generator. The Smith chart provides a way to find this impedance. Once the impedance is known, an impedance-matching circuit can be added to compensate for the conditions and make the line flat and the SWR as close to 1 as possible.

Example 1 for Fig. 13-34. The operating frequency for a 24-ft piece of RG-58A/U coaxial cable is 140 MHz. The load is resistive, with a resistance of $93\ \Omega$. What is the impedance seen by a transmitter?

Figure 13-34 Finding the impedance of a mismatched pair. (a) Actual circuit. (b) Equivalent circuit.



The first step is to find the number of wavelengths represented by 24 ft of cable. A 140-MHz signal has a wavelength of

$$\lambda = \frac{984}{f} = \frac{984}{140} = 7.02\ \text{ft}$$

Remember that coaxial cable has a velocity factor less than 1 due to the slowdown of RF signals in a cable. The velocity factor of RG-58A/U is 0.66. Therefore, one wavelength at 140 MHz is

$$\lambda = 7.02 \times 0.66 = 4.64 \text{ ft}$$

The number of wavelengths represented by the 24-ft cable is $24/4.64 = 5.17 \lambda$.

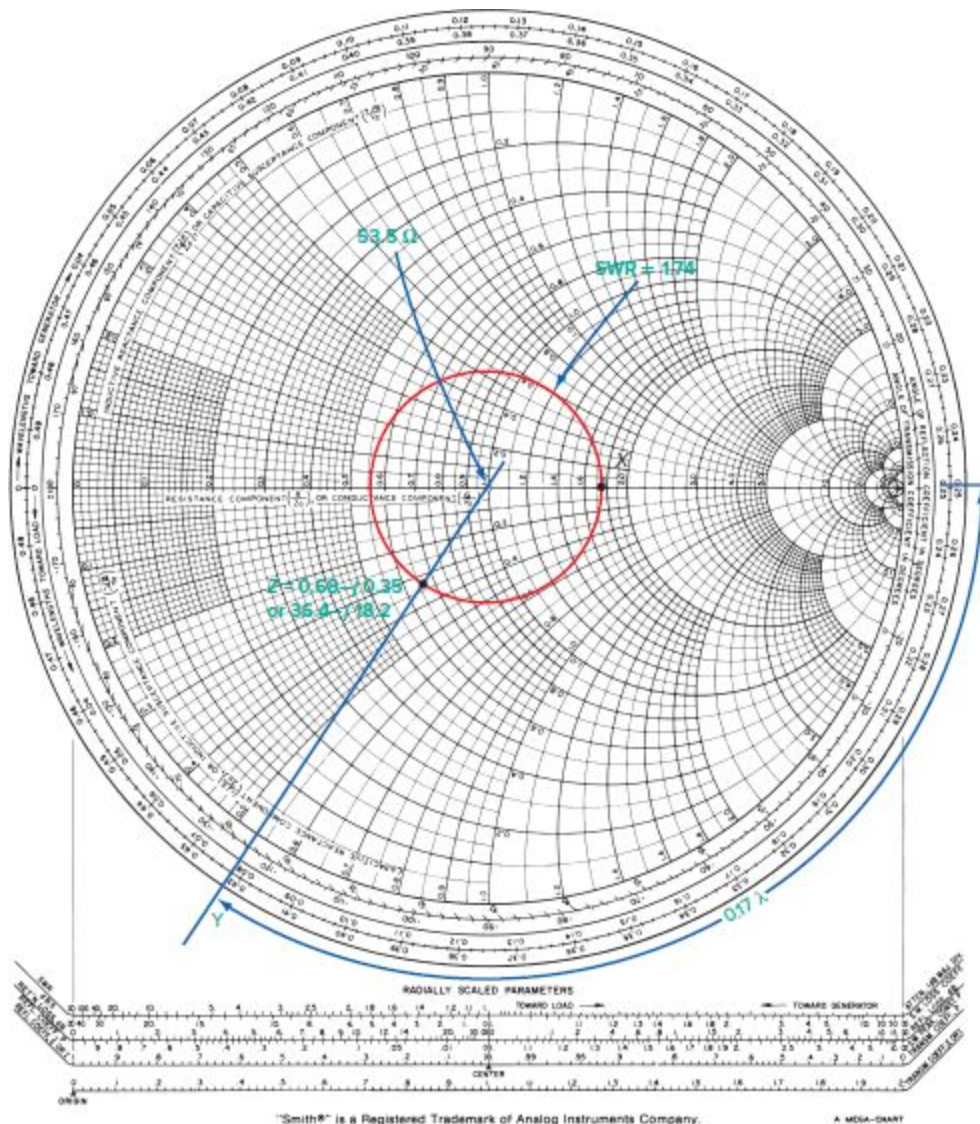
As indicated earlier, the impedance variations page 479 along a line repeat every one-half wavelength and therefore every full wavelength; thus, for the purposes of calculation, we need only the 0.17 λ of the above value.

Next, we normalize the Smith chart to the characteristic impedance of the coaxial cable, which is 53.5Ω . The value of the prime center is 53.5Ω . The SWR is then computed:

$$\text{SWR} = \frac{Z_1}{Z_0} = \frac{93}{53.5} = 1.74$$

This SWR is now plotted on the Smith chart. See Fig. 13-35, where point X represents the resistive load of 93Ω .

Figure 13-35 Finding the generator load with a resistive load.



To find the impedance at the transmitter end of the coaxial cable, we move along the line 5.17λ from the load back to the transmitter or generator. Remember that one full rotation around the Smith chart is one-half wavelength, because the values repeat every one-half wavelength. Starting at point X , then, move in a clockwise direction (toward the generator) around the SWR circle for 10 complete revolutions, which represents 5λ . This brings you back to point X .

Continue the clockwise rotation for an additional 0.17λ , stop there, and mark that point on the SWR circle. Draw a

line from the prime center to the location that represents 0.17λ . The marking on the right-hand side of point X is the $0.25\text{-}\lambda$ mark. You need to go 0.17λ from that, or $0.25 + 0.17 = 0.42$. Stop at the 0.42 mark on the lower part of the circle at Y. Draw a line from there to the prime center. Refer again to Fig. 13-35.

The point at which the line cuts the SWR circle is the impedance that the generator sees. Reading the values from the chart, you have $R \approx 0.68$ and $X_c \approx 0.35$. Since the point is in the lower half of the chart, the reactance is capacitive. Thus the impedance at this point is $0.68 - j0.35$.

To find the actual value, convert from the normalized value by multiplying by the impedance of the prime center, or 53.5:

$$Z = 53.5(0.68 - j0.35) = 36.4 - j18.725 \Omega$$

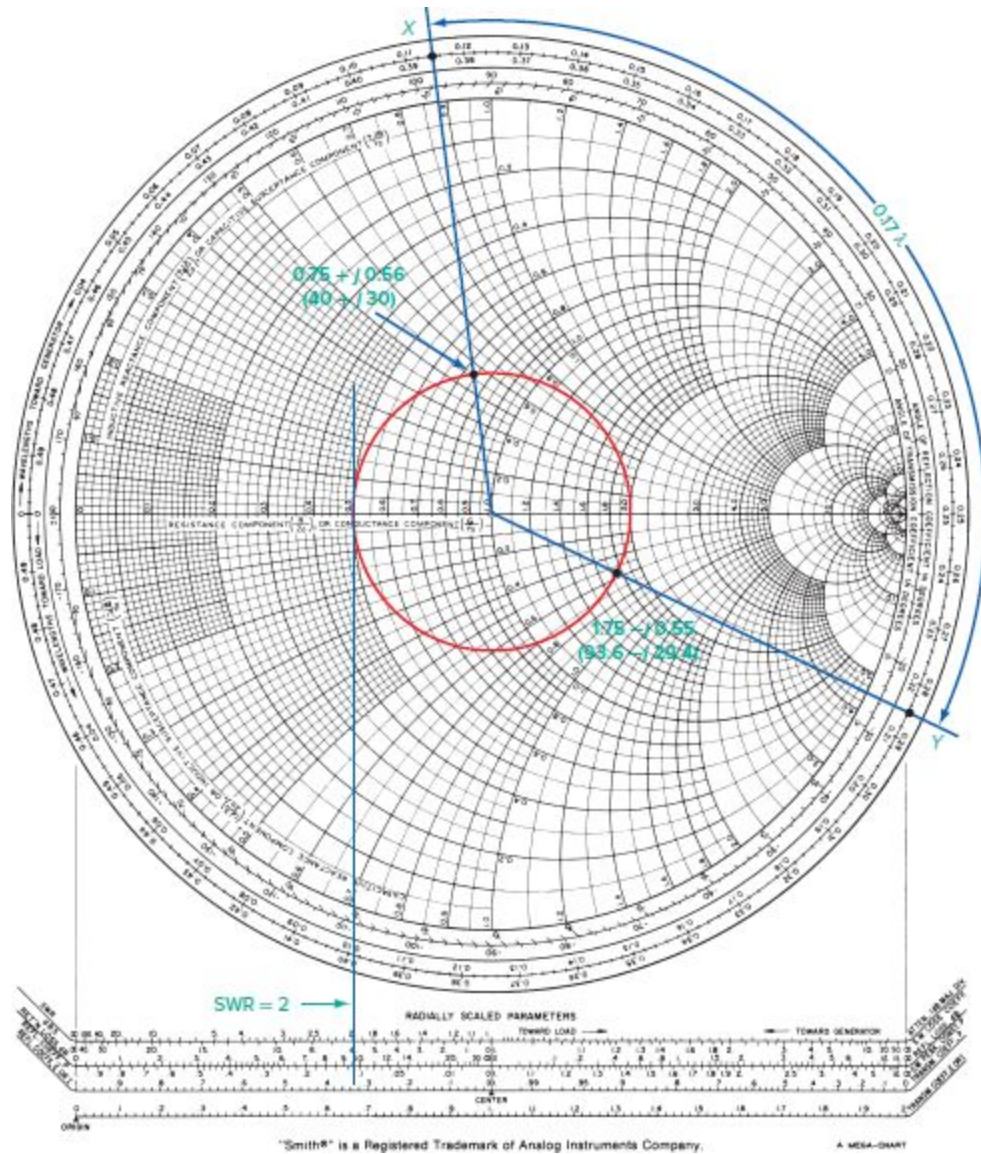
The transmitter is seeing what appears to be a page 480 $36.4\text{-}\Omega$ resistor in series with a capacitor with a reactance of 18.725Ω . The equivalent capacitance value is [using $X_c = 1 / (2\pi f C)$ or $C = 1 / (2\pi f X_c)$]

$$C = \frac{1}{6.28(140 \times 10^6)(18.725)} = 60.74 \text{ pF}$$

The equivalent circuit is shown in Fig. 13-34(b).

Example 2 for Fig. 13-36. An antenna is connected to the 24-ft $53.5\text{-}\Omega$ RG-58A/U line described in Example 1. The load is $40 + j30 \Omega$. What impedance does the transmitter see?

Figure 13-36 Finding the generator load with a complex load.



The prime center is 53.5Ω , as before. Before plotting the load impedance on the chart, you must normalize it by dividing by 53.5:

$$Z_1 = \frac{40 + j30}{53.5} = 0.75 + j0.56 \Omega$$

The plot for this value is shown in Fig. 13-36. page 481
Remember that all impedances fall on the SWR circle. You can draw the SWR circle for this example simply

by placing the compass on the prime center with a radius out to the load impedance point and rotating 360° .

The SWR is obtained from the chart at the bottom of the figure by extending a line perpendicular to the resistance axis down to the SWR line. The SWR is about 2:1.

The next step is to draw a line from the prime center through the plotted load impedance so that it intersects the wavelength scales on the perimeter of the curve. Refer again to Fig. 13-36. Because our starting point of reference is the load impedance, we use the "toward generator" scale to determine the impedance at the input to the line. At point X is the wavelength value of 0.116.

Now, because the generator is 5.17λ away from the load and because the readings repeat every one-half wavelength, you move toward the generator in the clockwise direction 0.17λ : 0.116 and $0.17 = 0.286$. This point is marked Y in Fig. 13-36.

Draw a line from point Y through the prime page 482 center. The point at which it intersects the SWR circle represents the impedance seen by the generator. The normalized value is $1.75 - j0.55$. Correcting this for the 53.5Ω prime center, we get

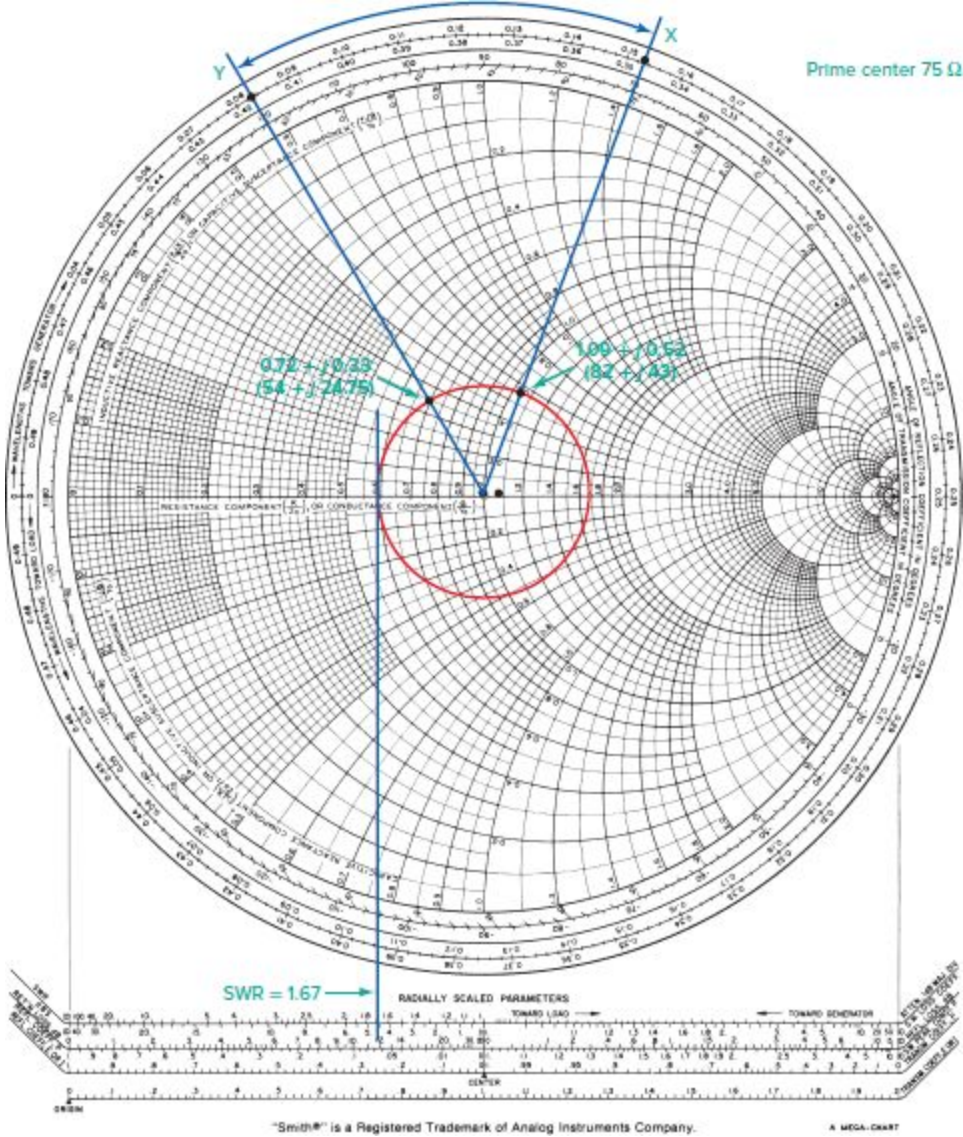
$$Z = 53.5(1.75 - j0.55) = 93.6 - j29.4 \Omega$$

This is the impedance that the generator sees.

Example 3 for Fig. 13-37. In many cases, the antenna or other load impedance is not known. If it is not matched to the line, the line modifies this impedance so that the transmitter sees a different impedance. One way to find the overall impedance as well as the antenna or other load impedance is to measure the combined impedance of the load and the transmission line at the transmitter end, using

an impedance bridge. Then the Smith chart can be used to find the individual impedance values.

Figure 13-37 Determining load impedance.



A 50-ft RG-11/U foam dielectric coaxial cable with a characteristic impedance of $75\ \Omega$ and a velocity factor of 0.8 has an operating frequency of 72 MHz. The load is an antenna whose actual impedance is unknown. A measurement at the transmitter end of the cable gives a

complex impedance of $82 + j43$. What is the impedance of the antenna?

One wavelength at 72 MHz is $984/72 = 13.67$ ft. Taking page 483 the velocity factor into account yields

$$\lambda = 13.67 \times 0.8 = 10.93 \text{ ft}$$

The length of the 50-ft cable, in wavelengths, is $50/10.93 = 4.57$. As before, it is the 0.57λ value that is of practical use.

First, the measured impedance is normalized and plotted. The prime center is 75Ω . In Fig. 13-37 $Z = (82 + j43)/75 = 1.09 + j0.52$ is plotted on the Smith chart. The SWR circle is plotted through this point from the prime center. A tangent line is then drawn from the circle to the linear SWR chart on the bottom. The SWR is 1.67.

Next, a line is drawn from prime center to the normalized impedance point and through the wavelength plots on the perimeter of the graphs. It intersects the "toward load" scale at point X, or 0.346λ . Refer to the figure.

The plotted impedance is what is seen at the generator end, so it is necessary to move around the graph to the load in the counterclockwise direction to find the load impedance. We move a distance equal to the length of the cable, which is 4.57λ . Nine full rotations from point X represents 4.5λ , which brings us back to point X. We then rotate 0.07λ more, counterclockwise, to complete the length. This puts us at the $0.346 + 0.07 = 0.416 \lambda$ point, which is designated point Y in Fig. 13-37. We then draw a line from Y to the prime center. The point at which this line intersects the SWR circle is the actual antenna impedance. The normalized value is $0.72 + j0.33$. Multiplying by 75 gives the actual value of the antenna impedance:

$$Z = 75(0.72 + j0.33) = 54 + j24.75 \Omega$$

CHAPTER REVIEW

Online Activity

13-1 Coax Cable Variations

Objective: Examine several different types of coax cables.

Procedure:

1. Using standard Internet search techniques, look for information to answer the following questions. Search on “coax manufacturers” or “types of coax” or “coax connectors” or similar terms.

Questions:

1. What is the most common coax characteristic impedance?
2. What is rigid coax, and where is it used?
3. Name the benefits of rigid coax.
4. What is the highest-frequency coax you can find? What is its attenuation at that frequency?
5. Name one common type of coax connector not listed in this textbook.

13-2 Investigate the Smith Chart

Objective: Discover additional uses for the Smith chart.

Procedure:

1. Using standard Internet search techniques, look for information to answer the questions below. Search on terms such as “Smith chart applications” or “Smith chart tutorials” or “Smith chart fundamentals” or similar terms.

2. Search for Smith chart software.

Questions:

1. Name two uses of the Smith chart not covered in this chapter.
2. Name two Smith chart software programs that help in its use.

Questions

1. Name the two most widely used types of transmission lines.
2. What is the name for a transmission line that has one of its two conductors connected to ground?
3. Name a popular type of balanced line.
4. What is the name given to the distance that a signal travels during one cycle?
5. Name a popular UHF connector used for coaxial cable.
6. What is the coaxial cable connector commonly used on test equipment?
7. What is the best coaxial cable connector for UHF and microwave applications?
8. What type of coaxial connector is widely used for cable TV connections?
9. Describe the equivalent circuit of a transmission line.
10. What determines the characteristic impedance of a transmission line?
11. What is another name for characteristic impedance?
12. What is the importance of the velocity factor in determining cable lengths?
13. How does the cutoff frequency of a coaxial cable vary with its length?
14. Describe the pattern of the current and voltage along a properly matched transmission line.

15. Describe what happens if a transmission line is not terminated in its characteristic impedance.
16. What is the effect on transmitted power when load and transmission line impedances are mismatched?
17. Under which two conditions will all incident power on a line be reflected?
18. What is the ratio of the reflected voltage to the incident voltage on a transmission line called?
19. What do you call a mismatched transmission line?
20. How does the length of a matched transmission line affect the SWR?
21. Name two ways to implement a series resonant circuit with a transmission line.
22. How do transmission lines that are less than $\lambda/4$ or between $\lambda/4$ and $\lambda/2$ at the operating frequency act?
23. How many wavelengths does one complete revolution around a Smith chart represent?

Problems

1. Compute the wavelength in meters at a frequency of 350 MHz. ♦
2. At what frequency does a line 3.5 in long represent one-half wavelength?
3. A coaxial cable has a capacitance of 30 pF/ft and an inductance of 78 nH/ft. What is the characteristic impedance? ♦
4. A coaxial cable has a capacitance of 17 pF/ft. The characteristic impedance is $75\ \Omega$. What is the equivalent inductance per foot?
5. What is the velocity factor of a coaxial cable with a dielectric constant of 2.5? ♦
6. A manufacturer's data sheet states that the velocity factor for a specific coaxial cable is 0.7. What is the dielectric constant?

- 7.** Determine the length in feet of a one-quarter wavelength coaxial cable with a velocity factor of 0.8 at a frequency of 49 MHz. ♦
- 8.** What is the time delay introduced by a coaxial cable with the specifications given in Prob. 7 if the length is 65 ft?
- 9.** What is the time delay of 120 ft of a coaxial cable with a dielectric constant of 0.7? ♦
- 10.** How much phase shift is introduced by a coaxial cable 15 ft long to a 10-MHz sine wave signal? The dielectric constant is 2.9.
- 11.** What is the attenuation of 350 ft of RG-11 U coaxial cable at 100 MHz?
- 12.** What is the approximate attenuation of 270 ft of type 9913 coaxial cable at 928 MHz?
- 13.** A transmitter has an output power of 3 W that is fed to an antenna through an RG-58A/U cable 20 ft long. How much power reaches the antenna?
- 14.** What should be the transmission line impedance for optimum transfer of power from a generator to a $52\text{-}\Omega$ load?
- 15.** A $52\text{-}\Omega$ coaxial cable has a $36\text{-}\Omega$ antenna load. What is the SWR?
- 16.** If the load and line impedances of the cable in Prob. 15 are matched, what is the SWR?
- 17.** The maximum voltage along a transmission line is 170 V, and the minimum voltage is 80 V. Calculate the SWR and the reflection coefficient.
- 18.** The reflection coefficient of a transmission line is 0.75. What is the SWR?
- 19.** What are the reflection coefficient and SWR of an open or shorted transmission line?
- 20.** A transmission line has an SWR of 1.65. The power applied to the line is 50 W. What is the amount of reflected power?

- 21.** A power meter inserted into a transmission line reads 1150 W of forward power and 50 W of reflected power. What is the SWR?
- 22.** What must be the value of the load impedance on a transmission line if the voltage variations along the line go to zero at regular intervals?
- 23.** At what frequency does an open-wire transmission line 6 in long act as a parallel resonant circuit? (The dielectric is air.)
- 24.** A coaxial cable has a velocity factor of 0.68. page 485
How long is one-half wavelength of this cable at 133 MHz?
- 25.** Calculate the impedance of a microstrip line whose dimensions are $h = 0.05$ in, $w = 0.125$ in, and $t = 0.002$. The dielectric constant is 4.5.
- 26.** What is the length of one-quarter wavelength of the microstrip in Prob. 25 at a frequency of 915 MHz?
- 27.** Plot, in normalized form, the following impedances on a Smith chart: $Z_1 = 80 + j25$ and $Z_2 = 35 - j98$, assuming a prime center value of 52Ω .
- 28.** Plot the load impedance $104 - j58$ on a coaxial line on a Smith chart. Assume a characteristic impedance value of 75Ω . Then find the SWR.
- 29.** If the operating frequency is 230 MHz and the cable length is 30 ft for Prob. 28, what is the impedance at the generator if the velocity factor is 0.66? Use the Smith chart and show all work.
- 30.** What does the SWR circle on a Smith chart look like if a $52\text{-}\Omega$ load is connected to a $52\text{-}\Omega$ coaxial cable?

◆ *Answers to Selected Problems follow Chap. 23.*

Critical Thinking

- 1.** Describe the operation of a transmission line, one-quarter or one-half wavelength at the operating frequency, if the line is shorted or open. How can such a line be used?
- 2.** At what frequencies do transmission lines implemented on a printed-circuit board become practical?
- 3.** Compare the characteristics of microstrip and stripline. Which is preferred and why?
- 4.** A 22-ft coaxial cable with an impedance of $50\ \Omega$ has a velocity factor of 0.78. The operating frequency is 400 MHz. The impedance of the antenna load combined with the cable impedance as measured at the generator end of the cable is $74 + j66$. What is the antenna impedance as determined on the Smith chart? What is the SWR?
- 5.** Assume that a square wave of 10 MHz is applied to a 200-ft-long RG-58A/U coaxial cable. It is properly terminated. Describe the signal at the load, and explain why the signal appears as it does. (See Fig. 13-13.)
- 6.** Explain how a coaxial transmission line (RG-59/U) could be used as a filter to eliminate interference at the input to a receiver. Assume a frequency of 102.3 MHz. Design the filter and calculate size.

Fundamentals of Networking, Local-Area Networks, and Ethernet

The first computers were stand-alone machines that one person used at a time. Later, timesharing computers were invented that allowed several people to use the machine concurrently. When personal computers (PCs) came along, the one computer-one user paradigm emerged. Today, most computers are networked, i.e., connected to one another so that they can communicate with one another, share resources, and access the Internet. Virtually 100 percent of business and industrial computers are networked. Most home and personal computers are also networked. This chapter is an introduction to networking, local-area networks (LANs), and Ethernet, the most widely used networking technology.

Objectives

After completing this chapter, you will be able to:

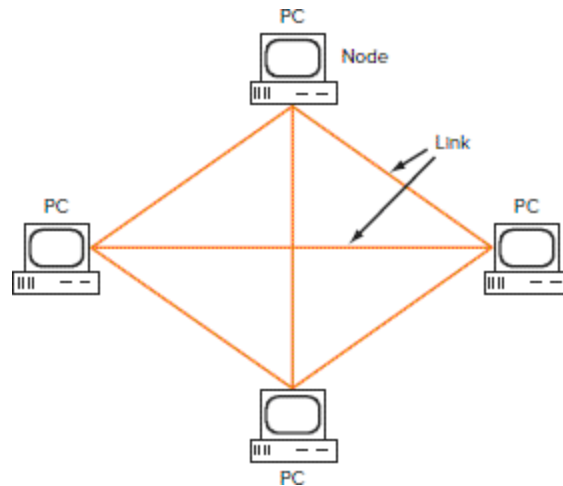
- Define the terms LAN, MAN, and WAN.
- Explain the basic purposes of LANs and describe some specific LAN applications.

- Draw diagrams of LANs arranged according to the three basic topologies: star, ring, and bus.
- Describe how repeaters, transceivers, hubs, bridges, routers, and gateways are used in LANs.
- Calculate transmission speed given the length of the data to be transmitted and the characteristics of the LAN over which the data is to be sent.
- Identify the main classes and specifications of page 487 Ethernet.
- Explain the purpose of and the function of the OSI model.
- Name at least four special versions of Ethernet.

14-1 Network Fundamentals

A *network* is a communication system with two or more stations that can communicate with one another. The devices connected to the network such as PCs, mass storage devices, printers, factory automation equipment, etc., are called nodes. When it is desired to have each computer communicate with two or more additional computers, the interconnections can become complex. As Fig. 14-1 indicates, if four computers are to be interconnected, there must be three links to each PC.

Figure 14-1 A mesh network of four PCs.



The number of links L required between N PCs (nodes) is determined by using the formula

$$L = \frac{N(N - 1)}{2}$$

GOOD TO KNOW

If you know how many PCs will be in the network, you can calculate the number of links (connecting cables) needed to make an inexpensive network by using the formula

$$L = \frac{N(N - 1)}{2}$$

Assume, e.g., there are six PCs. The number of links is

$$L = 6(6 - 1)/2 = 6(5)/2 = 30/2 = 15.$$

The number of links or cables increases in proportion to the number of nodes involved. The type of arrangement shown in Fig. 14-1 is obviously expensive and impractical. Some special type of network wiring must be used, a combination of hardware and software that permits multiple computers to be connected inexpensively and simply with the minimum number of links necessary for communication.

Metcalfe's Law

The impact or value of a network is the square of the number of nodes in the network.

For example, if a network has 100 nodes, the impact of that network is $100^2 = 10,000$.

The idea is to give network designers and builders a metric for evaluating a new or expanded network.

This law is derived from an idea of Robert Metcalfe, the inventor of Ethernet. It was revealed before the existence of the Internet. But it seems definitely true about the Internet.

Example 14-1

An office with 20 PCs is to be wired so that any computer can communicate with any other. How many interconnecting wires (or links, L) are needed?

$$L = \frac{N(N - 1)}{2} = \frac{20(20 - 1)}{2} = \frac{20(19)}{2} = 190$$

Types of Networks

page 488

Each computer or user in a network is referred to as a *node*. The interconnection between the nodes is referred to as the *communication link*. In most computer networks, each node is a personal computer, but in some cases a peripheral device such as a laser printer or an embedded controller built into another piece of equipment can be a node. There are four basic types of electronic networks in common use: wide-area networks (WANs), metropolitan-area networks (MANs), local-area networks (LANs), and personal-area networks (PANs). Let's take a brief look at each.

Node

Wide-Area Networks (WANs). A WAN covers a significant geographic area. Local telephone systems are WANs, as are the many long-distance telephone systems linked together across the country and to WANs in other countries. Each telephone set is, in effect, a node in a network that links local offices and central offices. Any node can contact any other node in the system. Telephone systems use twisted-pair wire and coaxial cable, as well as microwave relay networks, satellites, and fiber-optic cabling.

Wide-area network (WAN)

There are also WANs that are not part of the public telephone networks, e.g., corporate LANs set up to permit independent intercompany communication, regardless of where the various subsidiaries and company divisions, sales offices, and manufacturing plants may be. The special communication, command, and control networks set up by the military are also WANs.

The nationwide and worldwide fiber-optic networks set up since the mid-1990s to carry Internet traffic are also WANs. Known as the *Internet core* or *backbone*, these high-speed interconnections are configured as either direct point-to-point links or large rings with multiple access points. WANs make it possible for any PC or other Internet-enabled device such as a cell phone to connect to the Internet.

Internet core or backbone

Metropolitan-Area Networks (MANs). MANs are smaller networks that generally cover a city, town, or village. Cable TV systems are MANs. The cable TV company receives signals from multiple sources, including local TV stations, as well as special programming from satellites, and it assembles all these signals into a single composite signal that is placed on fiber-optic and coaxial cables. The cables

are then channeled to each subscriber home. The cable TV channel selector boxes are all nodes in the system. Most existing cable systems are simplex or one-way transmission systems; however, many cable companies now incorporate two-way communication capability.

Metropolitan-area network (MAN)

Another type of MAN carries computer data. MANs are usually fiber-optic rings encircling a city that provide local access to users. Businesses, governments, schools, hospitals, and others connect their internal LANs to them. MANs also connect to local and long-distance telephone companies. The MANs, or *metro networks* as they are typically called, also provide fast and convenient connections to WANs for global Internet connectivity.

Metro networks

Local-Area Networks (LANs). A LAN is the smallest type of network in general use. It consists primarily of personal computers interconnected within an office or building. LANs can have as few as 3 to 5 users, although most systems connect 10 to several thousand users.

Small LANs can be used by a company to interconnect several offices in the same building; in such cases, wiring can be run between different floors of the building to make the connection. Larger LANs can interconnect several buildings within a complex, e.g., large companies with multiple buildings, military installations, and college campuses.

Some LANs consist of multiple PCs that are linked both to each other and to a minicomputer or mainframe. This allows each user on the LAN, to have access to the big computer as well as continue to operate independently.

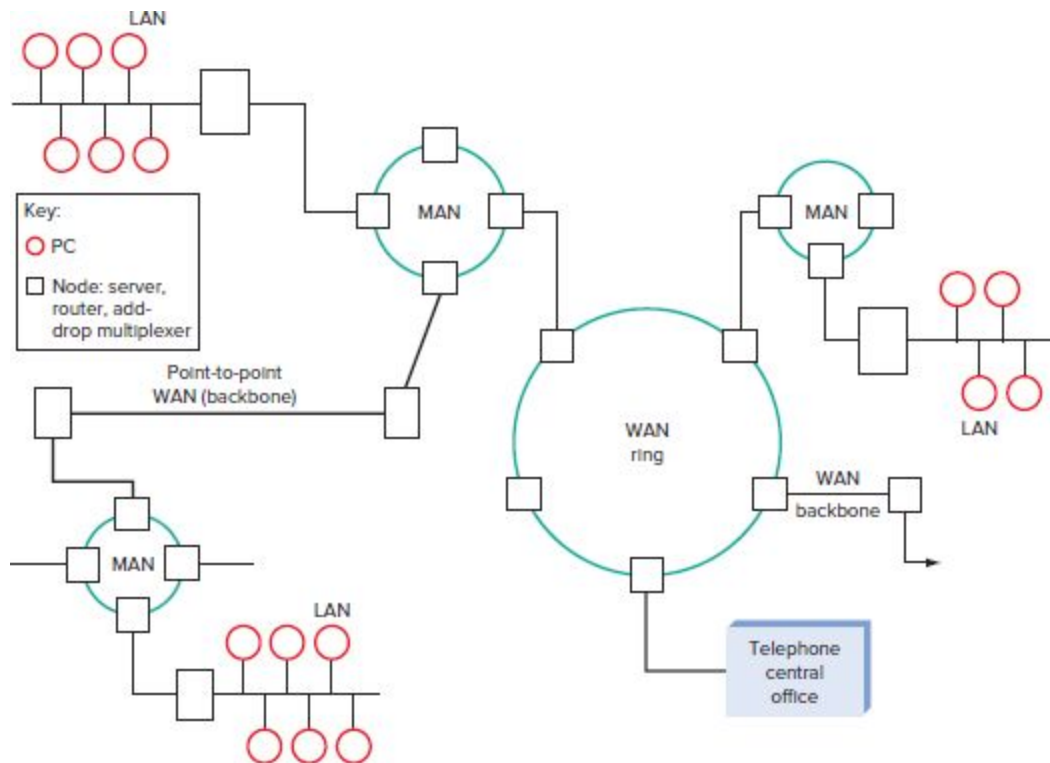
Home networks of two or more PCs are also LANs, and today most home LANs are fully wireless or incorporate wireless segments.

Personal-Area Networks (PANs). A PAN is a page 489 short-range wireless network that is set up automatically between two or more devices such as laptop computers, peripheral devices, or cell phones. The distance between the devices is very short, no more than about 10 m and usually much less. PANs are referred to as ad hoc networks that are set up for a specific single purpose, such as the transfer of data between the devices as required by some application. A Bluetooth speaker is one such example. In other examples, a laptop computer may link up with a printer, or a smartphone may need to download data from a PC or pair with an automotive hands-off cell phone connection. Most PANs just involve two nodes, but some have been set up to handle up to eight nodes and sometimes more.

Network Hierarchy. Fig. 14-2 shows a highly simplified view of how LANs, MANs, and WANs are interconnected. LANs inside a building are usually connected to a MAN that may be a local telephone central office or a special MAN set up by the organization itself or one managed by a company that leases lines to the organization. The MANs connect to the WANs, which may be a long-distance telephone network or a special optical WAN set up for Internet access or other data transmission applications. Some WANs are hierarchies of rings and direct connection points. MANs and WANs are virtually all fiber-optic networks. The interconnection points of the networks may be special computers called *servers*, *routers*, or switching equipment such as an add-drop multiplexer (ADM) that allows data to be added to or extracted from a ring network.

Servers, routers

Figure 14-2 Networking hierarchy.



Network Topologies

The *topology* of a network describes the basic communication paths between, and methods used to connect the nodes on a network. The three most common topologies used are star, ring, and bus. These topologies apply to the LAN, MAN, and WAN.

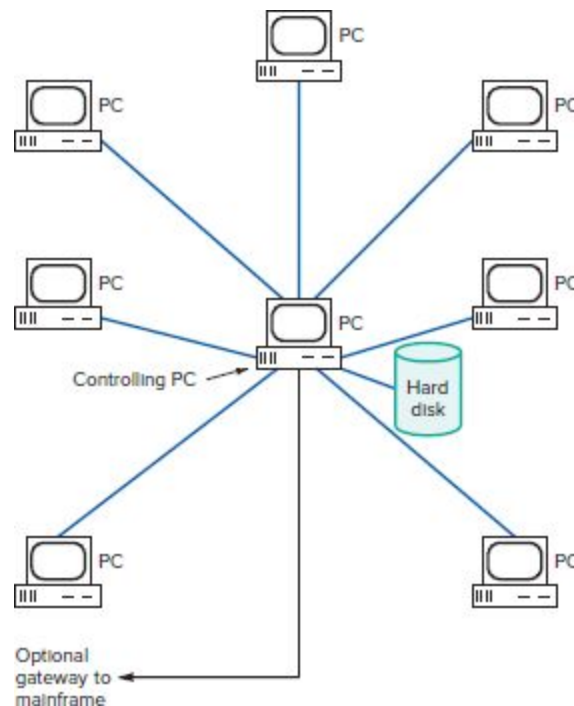
Topology

Star Topology. The star topology is by far the page 490 most widely used format for LANs. A basic *star* configuration consists of a central controller node and multiple individual stations connected to it (Fig. 14-3). The resulting system resembles a multipointed star. The central or controlling PC, often referred to as the *server*, is typically larger and faster than the other PCs and contains a large hard drive where shared data and programs are stored. Any communication between two PCs passes through the server.

The server and its software manage the linkup of individual computers and the transfer of data between them.

Star topology

Figure 14-3 A star LAN configuration with a server as the controlling computer.



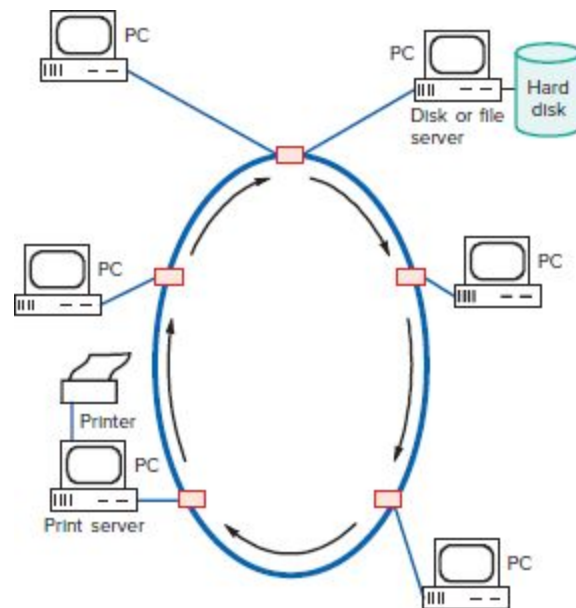
A star-type LAN is extremely simple and straightforward. New nodes can be quickly and easily added to the system. Furthermore, the failure of one node does not disable the entire system. Of course, if the server node goes down, the network is disabled, although the individual PCs will continue to operate independently. Star networks generally require more cable than other network topologies, and the fact that all communication must pass through the node does place some speed restrictions on the transfer of data.

Ring Topology. In a *ring* configuration, the server or main control computer and all the computers are simply linked in a single closed loop (Fig. 14-4). Usually, data is transferred

around the ring in only one direction, passing through each node. Therefore, there is some amplification and regeneration of the data at each node, permitting long transmission distances between nodes.

Ring topology

Figure 14-4 A ring LAN configuration.



The computer that has a message to send identifies the message with a code or address identifying the destination node, places it on the ring, and sends it to the next computer in the loop. Essentially, each PC in the ring receives and retransmits the message until it reaches the target PC. At that point, the receiving node accepts the message.

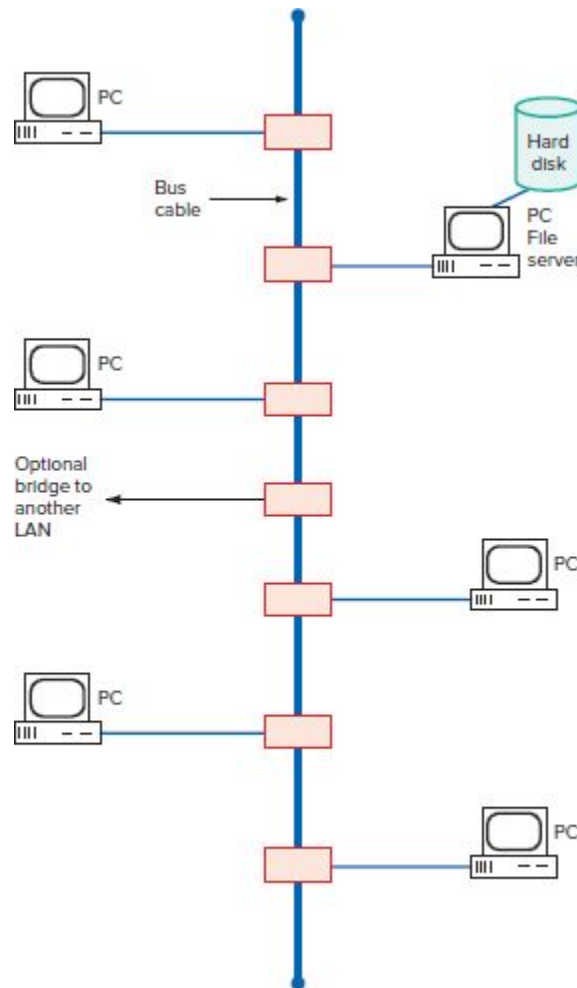
The downside of a ring network is that a failure in a single node generally causes the entire network to go down. It is also somewhat difficult to diagnose problems on a ring. The ring configuration is no longer widely used.

Bus Topology. A *bus* is simply a common cable to which all the nodes are attached. Fig. 14-5 shows the bus

configuration. The bus is bidirectional in that signals can be transmitted in either direction between any two of the nodes; however, only one of the nodes can transmit at a given time. A signal to be transmitted can be destined for a single node or broadcast to all nodes simultaneously.

Bus topology

Figure 14-5 A bus LAN configuration.



The primary advantage of the bus is that it is faster than any of the other topologies. The wiring is simple, and the bus can be easily expanded.

Mesh Topology. A *mesh* network is one in which each node is connected to all other nodes. You saw this in Fig. 14-1. This is called a full mesh in that every node can talk directly to any other node. Of course, this leads to major costs and complications as the number of nodes increases. This problem is somewhat mitigated by the use of wireless interconnections between nodes where there is no expensive wiring and the attendant routing and maintenance problems. A variation of the full mesh is the partial mesh in which all nodes can communicate with two or more other nodes. This reduces the number of interconnections, making it more practical.

Mesh

The primary value of the mesh network is that there are multiple paths for data to take from one node to another. This provides for redundancy that can provide a continuous connection when one or more of the links are broken. The lack of one link does not keep the data from reaching its destination by another path. This redundancy provides increased network reliability. Most partial mesh networks are implemented with wireless links.

Other Topologies. There are many variations and combinations of the basic topologies discussed above. For example, the *daisy chain topology* is simply a ring that has been broken. Another variation is called the *tree topology*. This topology is simply a bus design in which each node has multiple interconnections to other nodes through a star interconnection. In others, the network consists of branches from one node to two or more other nodes. Unique configurations are possible to fit a specific application.

Daisy chain topology

Tree topology

LAN Applications

The common denominator of all LANs is the communication of information. Nodes are linked to transmit and receive information, software, databases, personal messages, or anything else that can be put in binary form.

The earliest LANs were developed primarily as a way to control costs. For example, in an office with multiple PCs, the cost of permitting each computer to have its own printer was prohibitive. Networking is an inexpensive way to link all the computers in the office to a single computer to which the printer is attached. Users share the printer by transmitting information to be printed to the server, which controls print operations for all the office computers.

Another example is the sharing of large files and databases. Networks can be used to connect all the PCs in an office to a central server with a large hard drive containing the data or software to be shared, so that any computer can access it. Today, networks are used for many applications other than centralizing and sharing expensive peripherals such as printers and for permitting many users access to a large database.

By far the most popular networks applications are *e-mail*, Internet access, and the sharing of common software.

E-mail

The Open Systems Interconnection Model

One organization that has attempted to standardize data communication procedures is the *International Organization for Standardization*. It has established a framework, or hierarchy, that defines how data can be communicated over a network. This hierarchy, known as the *open systems interconnection (OSI)* model, is designed to establish

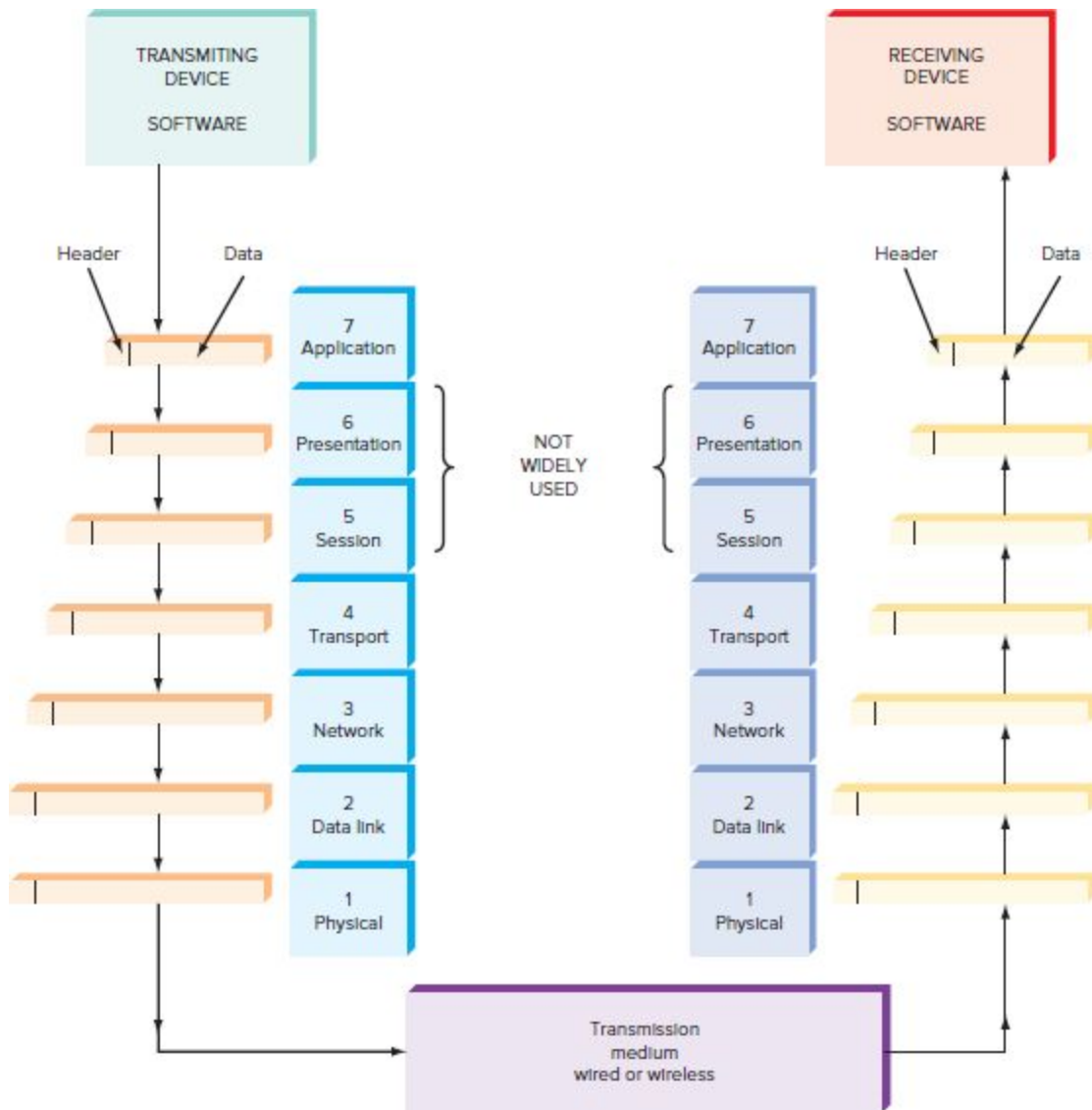
general interoperability guidelines for developers of communication systems and protocols. Even though the OSI model is not implemented by all manufacturers, the functions of each level in the OSI model outline must be accomplished by each protocol. In addition, the OSI model serves as a common reference for all protocols.

International Organization for Standardization

Open systems interconnection (OSI)

The OSI hierarchy is made up of seven levels or page 493 layers (see Fig. 14-6). Each layer is defined by software or hardware. These layers are not really protocols themselves, but they define and partition protocols to make data transfers in a standardized way. Each layer is designed to handle messages that it receives from a lower layer or an upper layer. Each layer also sends messages to the layer above or below it according to specific guidelines. Different protocols accomplish each layer and refer to the tasks they perform by referencing the OSI model. Tasks are referred to as a layer 1, layer 2, etc., task. As shown in the figure, the highest level is the application layer, which interfaces with the user's application program. The lowest level is the physical layer, where the electronic hardware, interfaces, and transmission media are defined. Layers 1 and 2 are hardware; the other layers are software.

Figure 14-6 The application of the OSI model to the transmission of data frames or packets in a network. Headers are added or removed at each layer. Only layers 1-4 and 7 are commonly used.



Layer 1: Physical layer. The physical connections and electrical standards for the communication system are defined here. This hardware layer specifies interface characteristics, such as binary voltage levels, encoding methods, data transfer rates, cabling, and the like.

Layer 2: Data link. This layer defines the framing page 494 information for the block of data. It identifies any error detection and correction methods as well as any synchronizing and control codes relevant to communication. The data link layer includes basic protocols, such as HDLC

and SDLC. This is a hardware layer that manages the data packets.

Layer 3: Network. This layer determines network configuration and the route the transmission can take. In some systems, there may be several paths for the data to traverse. The network layer determines the specific data routing and switching methods that can occur in the system.

Layer 4: Transport. Included in this layer are multiplexing, if any; error recovery; partitioning of data into smaller units so that they can be handled more efficiently; and addressing and flow control operations.

Layer 5: Session. This layer handles such things as management and synchronization of the data transmission. It typically includes network log-on and log-off procedures, as well as user authorization, and determines the availability of the network for processing and storing the data to be transmitted.

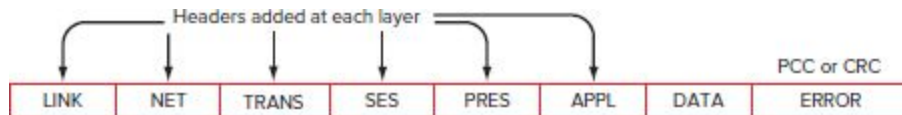
Layer 6: Presentation. This layer deals with the form and syntax of the message. It defines data formatting, encoding and decoding, encryption and decryption, synchronization, and other characteristics. It defines any code translations required, and sets the parameters for any graphics operations.

Layer 7: Applications. This layer is the overall general manager of the network or the communication process. Its primary function is to format and transfer files between the communication message and the user's applications software.

The basic process is that information is added or removed as data is transmitted from one layer to another (see Fig. 14-7). Assume, e.g., that the applications program you are

using contains some data that you wish to send to another computer. That data will be transmitted in the form of some kind of serial packet or frame, or a sequence of packets. The applications layer attaches some kind of header or preamble before the data packet before sending it to the next level.

Figure 14-7 The data as transmitted at the physical layer.



At the presentation level, another header is added. The application packet with header is encapsulated as the data field in a new packet. Then it is sent to the next layer. At each of the lower levels, headers and related information are appended until the data message is completely encased in a much larger packet. Finally, at the physical level, the data is transmitted to the other system. As Fig. 14-7 shows, the message that is actually sent may contain more header information than actual data.

At the receiving end, the header information gets stripped off at the various levels as the data is transferred to successive levels. The headers tell the data where to go and what to do next. The data comes in at the physical level and goes up through the various layers until it gets to the applications layer, where it is finally used.

Note that it is not necessary to use all seven layers. Most modern data communication applications need only the first two, three, or four layers to fully define and implement a given data exchange.

The primary benefit of the OSI standard is that if [page 495](#) it is incorporated into data communication equipment and software, compatibility between systems and equipment is more likely to be achieved. As more and

more computers and networks are interconnected, e.g., on the Internet, true interoperability becomes more and more important.

14-2 LAN Hardware

All LANs are a combination of hardware and software. The primary hardware devices are the computers themselves and the cables and connectors that link them. Additional pieces of hardware unique to networks include network interface cards, repeaters, hubs and concentrators, bridges, routers, gateways, and many other special interfacing devices. This section provides an overview of the specific types of hardware involved in networking and especially Ethernet.

Cables

Most wired LANs use some type of copper wire cable to carry data from one computer to another via baseband transmission. The digital data stored in the computer is converted to serial binary data, and voltages representing binary 1s and 0s are transmitted directly over the cable from one computer to another. The three basic cable types used in LANs are coaxial cable, twisted-pair, and fiber-optic cable. Today twisted-pair cable dominates. Fiber-optic cable is used in higher-speed, secure networks.

Coaxial Cable. Coax was once widely used in LAN cabling but today has been replaced with twisted-pair cable.

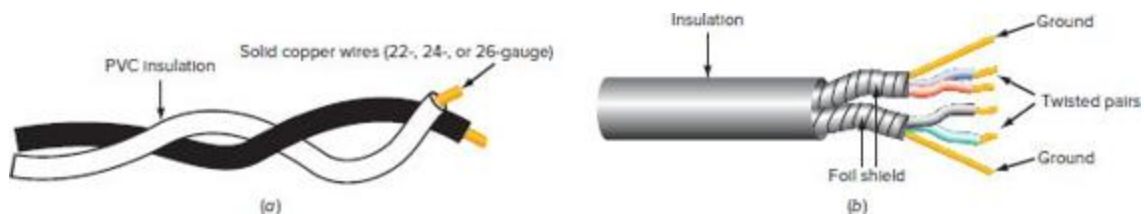
Coaxial cable

(Chap. 13 provides more details on coaxial cable.)

Twisted-Pair Cable. *Twisted-pair cable* is the most widely used network cable. Twisted-pair, as the name implies, is two insulated copper wires twisted together loosely to form a cable [Fig. 14-8(a)]. Telephone companies use twisted-pair cable to connect individual telephones to the central office. The wire is solid copper, 22-, 24-, or 26-gauge. The insulation is usually PVC. Twisted-pair cable by itself has a characteristic impedance of about $100\ \Omega$, but the actual impedance depends on how tightly or how loosely the cable is twisted and can be anywhere from about 70 to $150\ \Omega$.

Twisted-pair cable

Figure 14-8 Types of twisted-pair cable. (a) Twisted-pair unshielded (UTP) cable. (b) Multiple shielded twisted-pair (STP) cable.



There are two basic types of twisted-pair cables in use in LANs: *unshielded (UTP)* [Fig. 14-8(a)] and *shielded (STP)* [Fig. 14-8(b)]. UTP cables are highly susceptible to noise, particularly over long cable runs. Most twisted pairs are contained within a common cable sheath along with several other twisted pairs, and crosstalk, the coupling between adjacent cables, can also be a problem; again, this is especially true when transmission distance is great and switching speeds are high.

Unshielded twisted-pair (UTP)

Shielded twisted-pair (STP)

STP cables, which are more expensive than UTP page 496 cables, have a metal foil or braid shield around them, forming a third conductor. The shield is usually

connected to ground and, therefore, provides protection from external noise and crosstalk. STP cables are, therefore, routinely used for long cable runs.

STP cables are also typically grouped together, and two, four, or more pairs can be contained within a single cable housing [Fig. 14-8(b)]. When multiple lines must be run between computers and connecting devices, multiple cables are the linking medium of choice.

Twisted-pair cable is available in standard types and sizes that are specified and regulated by the standards organizations the American National Standards Institute (ANSI), the Electronic Industries Alliance (EIA), and the Telecommunications Industry Association (TIA). The most often used standard is TIA 568A/568B. This standard defines several categories of twisted-pair cable. These are summarized in Fig. 14-9. Categories 2 and 4 are rarely used. The bandwidth is an indicator of maximum bit or baud rate. Remember, twisted-pair cables are transmission lines. The table gives the basic characteristic impedance of the cable.

Figure 14-9 Common types of twisted-pair cable.

CATEGORY	BANDWIDTH*	IMPEDANCE (Ω)
1	Voice only	75–100
2	4 MHz	100
3	10–16 MHz	100
4	16–20 MHz	100
5	100 MHz	100
5e	155 MHz	100
6	250 MHz	100
6a	500 Mbps	100
7	600 MHz	100
7a	1000 MHz	100
8	1600–2000 MHz	100

*Cable length is 100 m.

GOOD TO KNOW

Networks have become a factor in the construction of new office buildings because channels or chambers called *plenums*, through which cables are run between floors or across ceilings, are often included.

The most widely used UTP is category 5 (CAT5). It can carry baseband data at rates up to 100 Mbps at a range up to 100 m. It contains four twisted pairs within the cable and is usually terminated in RJ-45 modular connectors. An enhanced version (CAT5e) is also available. It has improved performance and a data rate up to 155 Mbps.

The category 6 and category 7 cables are now widely deployed as network speeds have steadily increased. Maximum cable lengths of CAT6 and CAT7 are usually less than 100 m, and an improved RJ45 connector is used to handle the very high frequencies involved.

Twisted-pair cable specifications also include attenuation and near-end cross talk figures. *Attenuation* means the amount by which the cable attenuates the signal. The value for 100 m of CAT5 cable is -6.5 dB at 10 MHz and -22 dB at 100 MHz. The longer the cable, the greater the amount of loss in the cable and the smaller the output. The cable acts as a low-pass filter and also distorts digital signals. See Chap. 13 for more details.

The other key specification is *near-end cross talk (NEXT)*. *Cross talk* refers to the signal that is transferred from one twisted pair in a cable to another by way of capacitive and inductive coupling. Near-end cross talk is the signal appearing at the input to the receiving end of the cable. Like noise, NEXT can interfere with the received signal on the cable. The NEXT specification indicates the level of cross talk signal attenuation. In 100 m of CAT5 cable, it can range from -62 dB at 1 MHz to -32 dB at 100 MHz.

Near-end cross talk (NEXT)

Many newer office buildings are constructed with page 497 special vertical channels or chambers, called

plenums, through which cables are run between floors or across ceilings. Cable used this way, called *plenum cable*, must be made of fireproof material that will not emit toxic fumes if it catches fire.

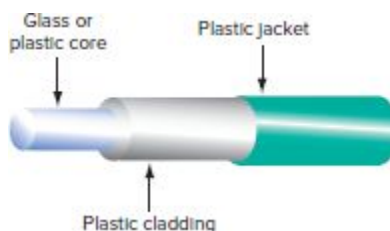
Plenums

Plenum cable

Fiber-Optic Cable. *Fiber-optic cable* is a nonconducting cable consisting of a glass or plastic center cable surrounded by a plastic cladding encased in a plastic outer sheath (Fig. 14-10). Most fiber-optic cables are extremely thin glass, and many are usually bundled together. In a fiber-optic system, the binary data voltage levels turn a laser off and on to at the transmitter to send the 1s and 0s. The light pulses travel down the fiber and are detected at the receiver by a photodetector diode that translates the light pulses back into voltage levels.

Fiber-optic cable

Figure 14-10 Fiber-optic cable.



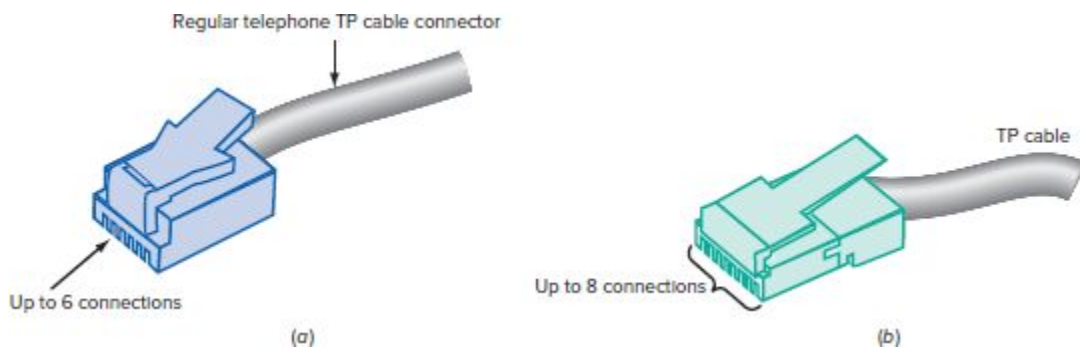
The two basic types of fiber cables are multimode fiber (MMF) and single-mode fiber (SMF). MMF is usually the plastic type and used in shorter cables because it has greater loss than glass. SMF is glass, more fragile, and thinner, and offers less loss over longer distances. Special fiber-optic connectors are required to attach the cables to the network equipment. Fiber-optic cables are covered in greater detail in Chap. 20. Speeds of up to 1 Tbps (terabits per second) are achievable by using fiber optics.

Connectors

All cables used in networks have special terminating connectors that provide a fast and easy way to connect and disconnect the equipment from the cabling and maintain the characteristics of the cable through the connection.

Twisted-Pair Connectors. Most legacy wired telephones attach to an outlet by way of an *RJ-11 connector* or modular plug [Fig. 14-11(a)]. RJ-11 connectors are used to connect PC modems to the phone line but are not used in LAN connections.

Figure 14-11 Modular (telephone) connectors used with twisted-pair cable. (a) RJ-11. (b) RJ-45.



RJ-11 connector

A larger modular connector known as the *RJ-45 connector* is widely used in terminating twisted pairs [see Fig. 14-11(b)]. The RJ-45 contains eight connectors, so it can be used to terminate four twisted pairs. Matching jacks on the equipment or wall outlets are used with these connectors. Most LANs today use RJ-45 connectors.

RJ-45 connector

Fiber-Optic Connectors. A wide range of connectors are available to terminate fiber-optic cables. Like electrical

connectors, these are designed to provide a fast and easy way to attach or remove cables.

Fiber-optic connector

Network Interface Controller

A *network interface controller (NIC)* provides the I/O interface between each node on a network and the network wiring. In older PCs, these were printed circuit cards that plugged into the PC bus. Today the NIC is one or more ICs that are integrated into the motherboard of the PC and provide connectors at the rear of the computer for attaching the cable connectors. NICs perform a variety of tasks. For example, when the PC wishes to transmit information over the network, it takes data stored in RAM to be transmitted and converts it to a serial data format. This serial information is usually stored within RAM on the NIC. Logic circuitry in the NIC then groups the information into frames or packets, the format of which is defined by the communication protocol used by the LAN. Once the packet or frame has been formed, the binary data is encoded, normally by using the Manchester code, and then sent to a logic-level converter, which generates the proper binary 0 and binary 1 voltage levels that are sent over the coaxial or twisted-pair cables.

Network interface controller (NIC)

Upon reception, the destination NIC recognizes page 498 when it is being addressed, i.e., when data is being sent to it. The NIC performs logic-level conversion and decoding, recovering the serial frame or packet of information; performs housekeeping functions such as error detection and correction; and places the recovered data in a buffer storage memory. The data is then converted from

serial to parallel, where it is transferred to the computer RAM and used by the software.

The NIC is the key hardware component in any LAN. It completely defines the protocols and performance characteristics of the LAN. Today, most NICs have been compressed into a single chip thanks to advanced semiconductor processing. The exception is the transformer and selected discrete components. Because most PCs are networked, NIC chips are built into all PC and laptop motherboards.

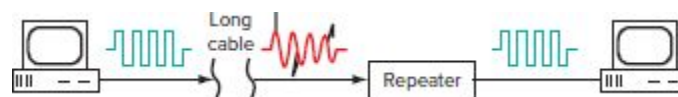
Repeaters

When signals from a NIC must travel a long distance over coaxial cables or twisted-pair cables, the binary signal is greatly attenuated by the resistance of the wires and distorted by the capacitance of the cable. In addition, the cable can pick up noise along the way. As a result, the signal can be too distorted and noisy to be received reliably.

One solution to this problem is to use a repeater (see Fig. 14-12). A *repeater* is an electronic circuit that takes a partially degraded signal, boosts its level, shapes it up, and sends it on its way.

Repeater

Figure 14-12 Concept of a repeater.

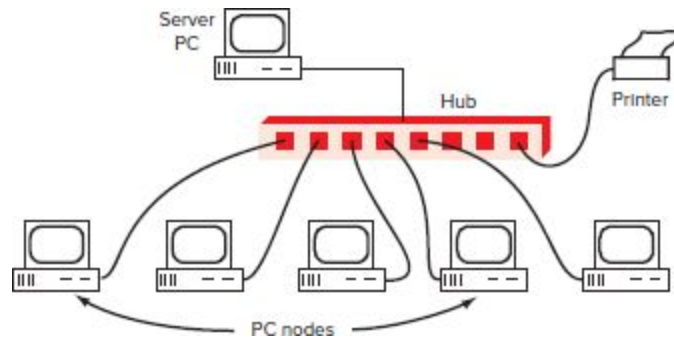


Hubs

A *hub* is an older LAN accessory that facilitates the interconnections of the nodes to the server. (See Fig. 14-13.)

Hub

Figure 14-13 A hub facilitates interconnections to the server.



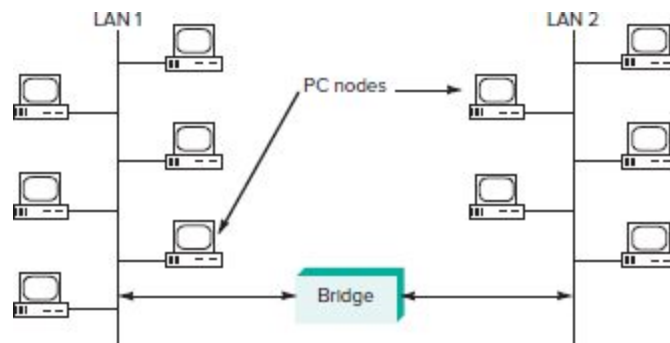
Hubs are active devices containing repeaters but offer no intelligence or decision capability. Hubs are generally no longer used as their functions are typically taken care of by a network switch to which all nodes are connected.

Bridges

A *bridge* is a network device that connects two LANs together. It performs bidirectional communication between two LANs (see Fig. 14-14).

Bridge

Figure 14-14 A bridge connects two LANs.



GOOD TO KNOW

Large LANs are often broken into two or more smaller LANs, with bridges connecting them in order to compensate for the problem of poor network performance caused by many simultaneous users.

A bridge can also be used when one LAN becomes too big. Most LANs are designed for a maximum upper limit of nodes. The reason for this is that the greater the number of nodes, the longer and more complex the wiring. Furthermore, when many individuals attempt to use a LAN simultaneously, performance deteriorates greatly, leading to network delays. One way to deal with this problem is to break a large LAN into two or more smaller LANs. First it is determined which nodes communicate with other nodes the most, and then a logical breakdown into individual LANs is made. Communication between all users is maintained by interconnecting the separate LANs with bridges. The result is improved overall performance.

A bridge is generally designed to interconnect two LANs with the same protocol, e.g., two Ethernet networks. However, there are bridges that are able to accomplish protocol conversion so that two LANs with different protocols can converse.

Switches

A *switch* is a hublike device used to connect individual PC nodes to the network wiring. Unlike a hub, a switch provides a means to connect or disconnect a PC from the network wiring. Switches have largely replaced hubs in most large LANs because switches greatly expand the number of possible nodes and improve performance.

Switch

As a network grows, more and more nodes are page 500 connected to the wiring. The switch can be used to

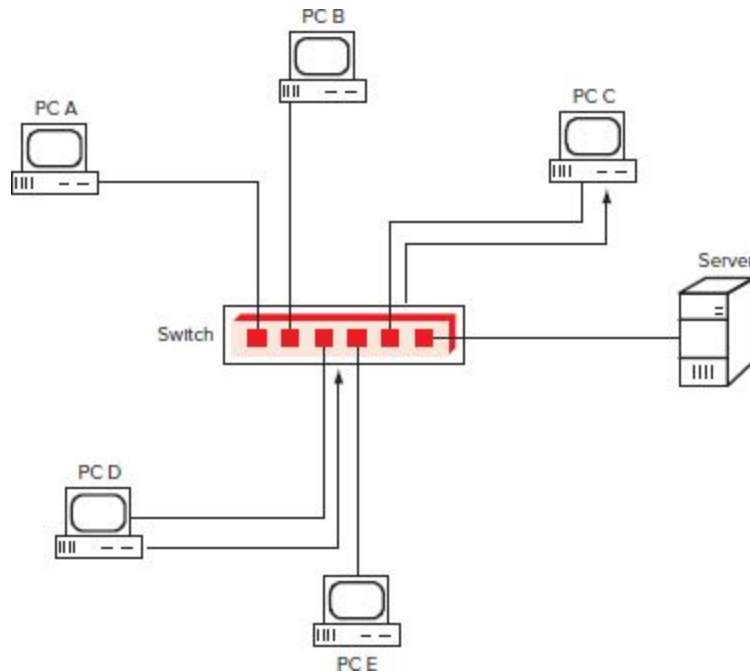
divide the LAN into smaller segments. This immediately improves performance.

LAN switches operate at the layer 2 level so recognize individual node addresses. When transmitting data from one PC to another, the switch detects the address of the receiving PC and connects it to the wiring. Otherwise, a PC is disconnected from the wiring by the switch until it is ready to send or receive data. By reducing the loads imposed by all the unused PCs, the switch allows the network to be significantly faster.

Ethernet switches have become the key component in most LANs. They implement the interconnection between servers, PCs, and other nodes but also speed up the entire network by reducing the number of collisions and allowing one PC to speak directly to another. This arrangement also provides increased network security by preventing intrusions from one node to the others.

Fig. 14-15 shows how a switch works. If PC D wants to send data to PC C, it does so directly by connecting the two PCs together. The other computers on the network are not involved, so their connections do not load the network circuitry. No collisions occur, so the data transfer is as fast as the network allows. The switch is usually provided with software that allows it to be configured in different ways. For example, a broadcast mode is available where one PC can transmit the same message to all computers on the network.

Figure 14-15 An Ethernet switch speeds up the network and provides security.



The switch identifies each PC by its media access control (MAC) address. The MAC address is a 48-bit number unique to each PC. The MAC address is made up of 6 bytes or octets identified by its hexadecimal code in the following format:

00:A0:C9:14:D3:29

The first 3 bytes identify the manufacturer of the NIC or PC, such as Intel, Dell, or Cisco; the last 3 bytes are special to the PC or other device. The MAC address is hardwired into each NIC or PC when it is built and is used as the source or destination address in the Ethernet protocol frame. Ethernet switches use the MAC address to route the data from the source to the desired destination. The switch actually “learns” the addresses as the network is used and creates a MAC address lookup table in its memory. It also learns which ports each PC is connected to. The lookup table is updated each time a message is sent or received.

Routers

Routers operate at the layer 3 level and are designed to direct data traffic between different networks.

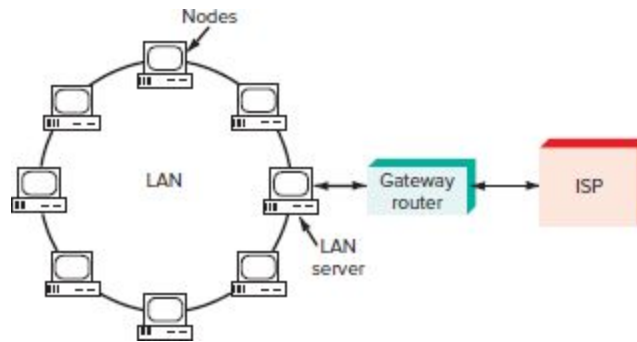
The basic function of a router is to expedite traffic flow on both networks and maintain maximum performance. Routers are designed to recognize traffic buildup and provide automatic switching to reroute transmissions in a different direction, if possible. If transmission is blocked in one direction, the router can switch transmission through other nodes or other paths in the network.

Most routers are a combination of a switch and a router. They can switch, perform protocol conversion, and serve as communication managers between two LANs or between a LAN and the Internet. Routers use Internet Protocol (IP) addresses to direct data traffic to the desired place. Chap. 16 will discuss IP addresses and related topics.

Gateways

A gateway can be defined in several ways and take on different functions. In the discussion of LANs, a gateway is basically a router that is designed to connect the LAN to the Internet. Or it could be a combination of a switch and router that can connect a limited number of PCs or other nodes to the Internet through a modem. See Fig. 14-16. A gateway could also be a separate server whose purpose is to provide the external connection as well as other operations that might involve data storage, traffic management, and deal with protocols and addresses.

Figure 14-16 A gateway commonly connects a LAN to the Internet.



Firewall

A firewall is a special hardware device like a router that is installed between the Internet connection and your main router. It could also be firewall software that resides on your computer. Its prime function is to monitor and control the traffic into and out of your network. The firewall is a security device that filters all incoming data and makes decisions about what gets through to your network or what is blocked. Firewalls have built-in rules that make those decisions. Firewalls can also control access to selected external resources by network users. In today's treacherous world, all LANs and others need some basic protection from the many potential dangerous actions that can occur from outside your system.

Modems

Modems are special interfaces between PCs and communications systems, such as the telephone or cable TV networks. They convert the binary signals of the computer to analog signals compatible with the telephone or cable TV system and, at the other end, convert the analog signals back to digital signals. Wireless networks also use modems to make the binary data compatible with the wireless transceivers that maintain a radio connection.

Modems are widely used in home networking to [page 502](#) connect to an *Internet service provider (ISP)*, which provides services such as Internet access and e-mail. Today most modems are built into the router that is used to implement the connection to the Internet.

Internet service provider (ISP)

Wireless LANs

One of the most complex and expensive parts of any LAN is the cabling. The cables themselves, as well as their installation and maintenance, are expensive, especially when the LAN is being installed in an existing building. In addition, in large, growing organizations, LAN needs change regularly. New users must be added, and the network must be reconfigured during expansion, reorganizations, and moves. One way to avoid the expense and headache of running and maintaining LAN cabling is to use *wireless LANs*, which communicate via radio.

Wireless LAN

Each PC in a wireless LAN must contain a wireless modem or transceiver. This device is usually one or more chips built into the motherboard. In any case, the radio modem transceiver converts the serial binary data from the computer to radio signals for transmission and converts the received radio signals back to binary data. Wireless LANs operate as cable-connected LANs in that any node can communicate with any other node. See Chap. 22 for details.

14-3 Ethernet LANs

One of the oldest and by far the most widely used of all LANs is *Ethernet*. Ethernet, which was developed by Xerox Corporation at Palo Alto Research Center in the 1970s, was

based on the Aloha wide-area satellite network implemented at the University of Hawaii in the late 1960s.

Ethernet LAN

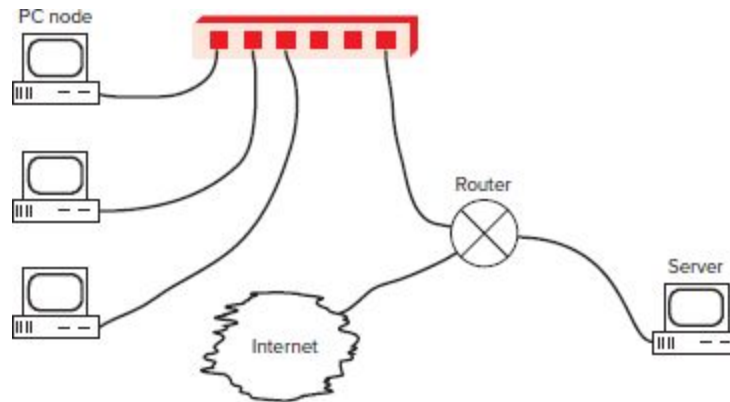
In 1980, Xerox joined with Digital Equipment Corporation (now part of Hewlett-Packard) and Intel to sponsor a joint standard for Ethernet. The collaboration resulted in a definition that became the basis for the IEEE 802.3 standard. (The Institute of Electrical and Electronics Engineers [IEEE] establishes and maintains a wide range of electrical, electronic, and computing standards. The 802.X series relates to LANs.)

Today, there are numerous variants of Ethernet. More than 95 percent of all LANs use some form of Ethernet. Furthermore, Ethernet has grown more capable over the years and is now routinely used in both MANs and WANs.

Topology

The original versions of Ethernet used a bus topology. Today, most use a physical star configuration (see Fig. 14-17). Each node uses a twisted-pair cable to connect into a centrally located switch. The switch is then connected to a router or gateway that provides access to the services needed by each user. Information to be transmitted from one user to another can move in either direction on the bus, but only one node can transmit at any given time.

Figure 14-17 A common simple Ethernet LAN.



Encoding

Ethernet uses baseband data transmission methods. This means that the serial data to be transmitted is placed directly on the bus media. Before transmission, however, the binary data is encoded into a unique variation of the binary code known as the *Manchester code* (Fig. 14-18).

Manchester code

Figure 14-18 Manchester encoding eliminates dc shift on baseband lines and provides a format from which a clock signal can be extracted. (a) Standard dc binary coding (unipolar NRZ). (b) Manchester ac encoding. (c) DC Manchester.

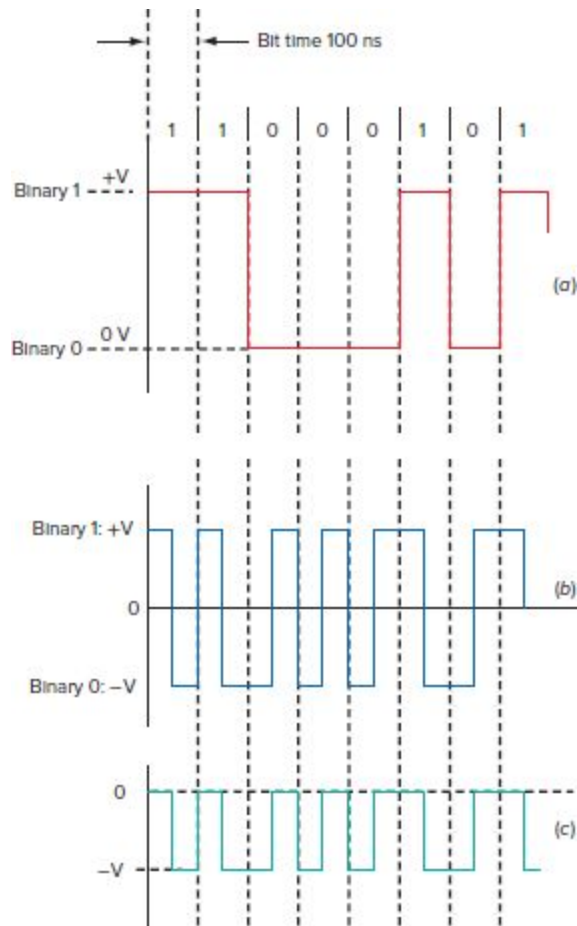


Fig. 14-18(a) shows normal serial binary data made up of standard dc binary pulses. This serial binary data, which is developed internally by the computer, is known as *unipolar NRZ*. This data is encoded by using the Manchester format by circuits on the NIC. Manchester coding can be alternating or direct current. In ac Manchester, shown in Fig. 14-18(b), the signal voltage is switched between a minus level and a plus level. Each bit, whether it is a binary 0 or binary 1, is transmitted as a combination of a positive pulse followed by a negative pulse or vice versa. For example, a binary 1 is a positive pulse followed by a negative pulse. A binary 0 is a negative pulse followed by a positive pulse. During each bit interval a positive-to-negative or negative-to-positive voltage transition takes place.

This method of encoding prevents the dc voltage level on the transmission cable from building up to an unacceptable level. With standard binary pulses, an average dc voltage will appear on the cable, the value of which depends on the nature of the binary data on the cable, especially the number of binary 1s or 0s occurring in sequence. Large numbers of binary 1 bits will cause the average dc level to be very high. Long strings of binary 0s will cause the average voltage to be low. The resulting binary signal rides up and down on the average dc level, which can cause transmission errors and signal interpretation problems. With Manchester encoding, the positive and negative switching for each bit interval causes the direct current to be averaged out.

Ethernet uses dc Manchester [Fig. 14-18(c)]. The average dc level is about $-1V$, and the maximum swing is about 0 to $-2V$. The average direct current is used to detect the presence of two or more signals transmitting simultaneously.

Another benefit of Manchester encoding is that the transition in the middle of each bit time provides a means of detecting and recovering the clock signal from the transmitted data.

Speed

The standard transmission speed for original basic Ethernet LANs is 10 Mbps. The time for each bit interval is the reciprocal of the speed, or $1/f$, where f is the transmission speed or frequency. With a 10-Mbps speed, the bit time is $1/10 \times 10^6 = 0.1 \times 10^{-6} = 0.1 \mu s$ (100 ns) [see Fig. 14-18(a)].

A more widely used version of Ethernet is called *Fast Ethernet*. It has a speed of 100 Mbps. Other versions of Ethernet run at speeds of 1 Gbps or 10 Gbps or more, typically over fiber-optic cable but also on shorter lengths of

coaxial or twisted-pair cable. The most common version of Ethernet today is Gigabit Ethernet (GE), which is essentially an integral part of every PC and laptop.

Fast Ethernet

Transmission Medium

The original transmission medium for Ethernet was coaxial cable. However, today twisted-pair versions of Ethernet are more popular.

Twisted-Pair Cable. More versions of Ethernet use twisted-pair cable. The twisted-pair version of Ethernet is referred to as a *10Base-T network*, where the *T* stands for twisted-pair. The twisted-pair cable used in 10Base-T systems is standard 22-, 24-, or 26-gauge solid copper wire with RJ-45 modular connectors. The PC nodes connect to a switch which provides a convenient way to connect all nodes. Each port contains a repeater that rejuvenates the signal and buffers it for retransmission. Physically, a 10-Base-T LAN looks like a star, but the bus is implemented inside the hub itself. It is usually easier and cheaper to install 10Base-T LANs than it is to install coaxial Ethernet systems, but the transmission distances are often limited to less than 100 m.

10Base-T network

100-Mbps Ethernet. Several 100-Mbps versions have been developed including 100Base-T or 100Base-TX, also called Fast Ethernet, 100VG-AnyLAN, 100Base-T4, and 100Base-FX. All use twisted-pair cable except the FX version, which uses fiber-optic cable. The TX and FX methods use the carrier sense multiple access with collision detection (CSMA/CD) access method (described later in this chapter) and have the same packet size. The 100VG-AnyLAN and -T4

versions use unique access methods. Most, if not all, NICs support 10-Mbps, 100-Mbps, and 1-Gbps rates.

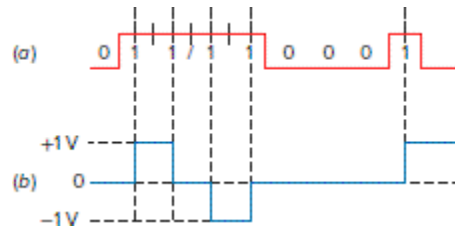
By far the most popular version of 100-Mbps Ethernet is *100Base-TX*, or *Fast Ethernet*. It uses two unshielded twisted pairs instead of the single pair used in standard 10Base-T. One pair is used for transmitting, and the other is used for receiving, permitting full duplex operation, which is not possible with standard Ethernet. To achieve such high speeds on UTP, several important technical changes were implemented in Fast Ethernet. First, the cable length is restricted to 100 m of category 5 UTP. This ensures minimal inductance, capacitance, and resistance, which distort and attenuate the digital data.

100Base-TX (Fast Ethernet)

Second, a new type of encoding method is used. page 505
The data to be transmitted is divided into 4-bit blocks and each is converted into a unique 5-bit code. This ensures that enough 1s and 0s occur so that the clock can be recovered successfully. Next, the data is transmitted using a new line-coding method called *MLT-3*. This coding method is illustrated in Fig. 14-19. The standard NRZ binary signal is shown at (a), and the MLT-3 signal is illustrated at (b). Note that three voltage levels are used: $+1$, 0, and $-1V$. If the binary data is a binary 1, the MLT-3 signal changes from the current level to the next level. If the binary input is 0, no transition takes place. If the signal is currently at $+1$ and a 1111 bit sequence occurs, the MLT-3 signal changes from $+1$ to 0 to -1 and then to 0 and then to $+1$ again. What this coding method does is to greatly reduce the frequency of the transmitted signal (to one-quarter of its original signal), making higher bit rates possible over UTP.

MLT-3 encoding

Figure 14-19 MLT-3 encoding used with 100Base-T Ethernet. (a) NRZ. (b) MLT-3.



As for access method, 100Base-T uses CSMA/CD. Most 100-Mbps Ethernet systems use the 100Base-T format described here.

100Base-FX is a fiber-optic cable version of Ethernet. It uses two multimode fiber strands to achieve the 100-Mbps rate. The access method is CSMA/CD. This version of Ethernet is used primarily to interconnect individual LANs to one another over long distances. Full duplex operation can be achieved at distances up to 2 km.

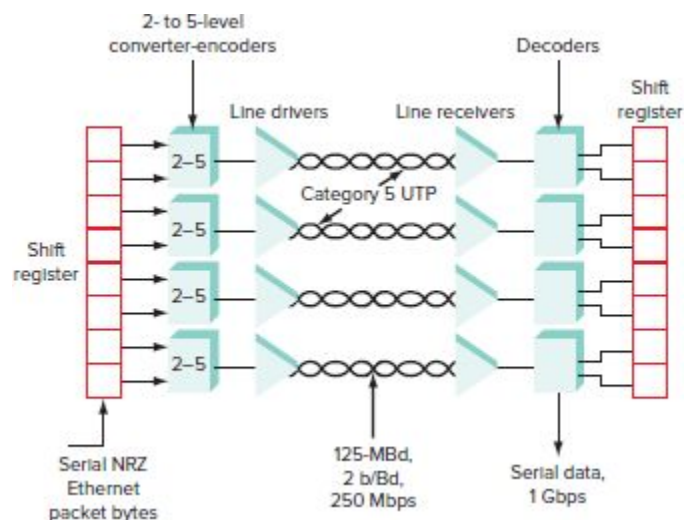
Gigabit Ethernet. *Gigabit Ethernet* (1 GE) is capable of achieving 1000 Mbps or 1 Gbps over category 5 UTP or fiber-optic cable. The 1-Gbps speed is more readily achieved with fiber-optic cable, but it is more expensive. The UTP version of Gigabit Ethernet is defined by the IEEE standard 802.3ab and is generally referred to as 1000Base-T.

Gigabit Ethernet

The 1-Gbps rate is achieved by transmitting 1 byte of data at a time as if in a parallel data transfer system. This is done by using four cat 5e or 6 UTP cables plus a coding scheme that transmits 2 bits per baud (b/Bd). The basic arrangement is shown in Fig. 14-20. One byte of data is divided into 2-bit groups. Each 2-bit group is sent to a D/A converter and an encoder that generates a five-level line code. The five levels are +2, +1, 0, -1, and -2 V. Each 2-bit group needs four coding levels. For example, 00 might be +2, 01 = +1, 10 = -1, and 11 = -2 V. The 0-V level is not used in coding

but is used in clock synchronization and in an error detection scheme. You may hear this encoding scheme referred to as PAM5. The resulting five-level code is fed to each twisted pair at a 125-MBd rate. Since 2 bits is transmitted for each baud or symbol level, the data rate on each twisted pair is 250 Mbps. Together, the four pairs produce a composite data rate of $4 \times 250 = 1000$ Mbps or 1 Gbps. Maximum distance is 100 m. Better and more reliable performance is achieved by restricting the distance from PC to hub to 25 m or less. The CSMA/CD access method is used, and communication can be half or full duplex.

Figure 14-20 Gigabit Ethernet.



The fiber-optic cable versions of Gigabit Ethernet are defined under the IEEE 802.3z standard. All data transmissions are serial, unlike transmissions with the 1000Base-T UTP version. The 1000Base-LX version uses a *single-mode fiber (SMF)* cable with a diameter of $9\ \mu\text{m}$ and a transmitting laser operating at an infrared wavelength of 1310 nm. It can achieve 1 Gbps on a cable length to 10 km. When the larger, less expensive *multimode fiber (MMF)* is used, the maximum operating distances are 550 m with $50\text{-}\mu\text{m}$ -diameter fiber and 500 m with $62.5\text{-}\mu\text{m}$ -diameter fiber.

Single-mode fiber (SMF)

Multimode fiber (MMF)

A less expensive option is 1000Base-SX, which [page 506](#) uses a lower-cost 780- μm laser and MMF cable. The maximum cable length is 550 m with 50- μm - diameter fiber and 275 m with 62.5- μm - diameter fiber. You will learn the details of fiber-optic communication in Chap. 20.

All the fiber-optic versions of Gigabit Ethernet also use a different data encoding scheme called *8B/10B*. This method takes each 8-bit byte (also called an *octet*) of data and translates it into a 10-bit word. The purpose is to ensure that an equal number of binary 0s and 1s are always transmitted. This makes clock recovery and data synchronization easier. The 8B/10B encoding scheme also allows a simple way to implement error detection for 1-bit errors. In addition, it eliminates any dc bias buildup that may occur if the signal is transmitted through a transformer. Finally, the 8B/10B code also implements frame delimiting, providing a way to clearly mark the beginning and ending of a frame of data with unique 10-bit codes.

10-Gbit Ethernet. An even faster version of Ethernet is *10-Gbit Ethernet (10GE)*, which permits data speeds up to 10 Gbps over fiber-optic cable as well as higher grades of twisted-pair. The defining IEEE standard is 802.3ae. As with Gigabit Ethernet, there are several versions as indicated in the table below. All use 8B/10B coding.

10-Gbit Ethernet (10GE)

Laser wavelength λ	Cable type/size (μm)	Maximum cable length
850-nm serial	MMF/50	65 m
1310-nm WWDM	MMF 62.5	300 m
1310-nm WWDM	SMF/9	10 km
1310-nm serial	SMF/9	10 km
1550-nm serial	SMF/9	40 km

Three of the five variations use serial data transmission. The other two use what is called *wide-wavelength division multiplexing (WWDM)*. Also known as *coarse wavelength division multiplexing (CWDM)*, these versions divide the data into four channels and transmit it simultaneously over four different wavelengths of infrared light near 1310 nm. WWDM is similar to frequency-division multiplexing. This technique is described in greater detail in Chap. 20.

Wide-wavelength division multiplexing (WWDM)

It is hard to believe that a 10-Gbps pulse signal could be carried over a copper cable, given the huge attenuation and distortion that the cable capacitance, inductance, and resistance can cause. Yet, today several copper versions of 10GE are available. One of them is designated as 10GBase-CX4. This version of Ethernet is standardized by the IEEE standard 802.3ak. The cable is a special twin axial coaxial cable (called twin-ax) that contains two conductors inside the outer shield. Four of these coaxial cable assemblies are combined to make a cable. The data to be transmitted is divided into four parallel paths that transmit at a 3.125-Gbps rate. The encoding is 8B/10B, meaning that only 80 percent of the bits transmitted is actual data. This gives an actual data rate of 0.8×3.125 , or 2.5, Gbps. Four paths give an aggregate of 10 Gbps. The range is limited to roughly 15 m or about 50 ft. This is sufficient for connecting several servers, routers, Ethernet switches, and other equipment in wiring closets, data centers, or server farms, such as those in Internet companies where the various pieces of equipment are located close to one another.

Another copper cable version of 10GE has been in [page 507](#) development for several years. Designated 802.3an or 10GBase-T, it is designed to use the four pairs of conductors in CAT5e or CAT6 UTP so that existing cabling can be used. The range is 100 m as with most other

versions of Ethernet. Because of the severe cross talk that occurs in UTP at 10 Gbps, extensive DSP filtering and equalization are employed.

GOOD TO KNOW

The fast 10-Gbps Ethernet can be used as a fast LAN backbone to connect slower LANs, even over distances of up to several kilometers.

One final point is in order. Copper cable versions of Ethernet are attractive despite their complexity simply because they are significantly less expensive than fiber-optic versions. While the cost of fiber-optic equipment has declined over the years, it is still 3 to 10 times more expensive than a copper solution.

The primary application of 1-Gbps and 10-Gbps Ethernet is still in LANs. Not only can LANs be faster and handle more users, but also they can increase in size with these forms of Ethernet. Distances up to several kilometers are easily achieved with some versions. The 1-Gbps and 10-Gbps Ethernet technology is used to create a fast LAN backbone that links and aggregates slower LANs. The 1-Gbps and 10-Gbps versions of Ethernet are also used in data centers. A data center is a central point where multiple servers, switches, routers, and related equipment are located along with a connection to the Internet and other networks. The 10GE links are usually used to connect the equipment over distances of less than 100 meters.

The speed and distance capabilities also make 1-Gbps and 10-Gbps Ethernet attractive for MAN applications. The 40-km version even makes 10-Gbps Ethernet appropriate for some WAN applications. And that trend continues with 100 Gbps Ethernet and the newer faster versions to come.

Wireless Ethernet. Several versions of Ethernet for transmission by radio have been developed. This permits

wireless LANs to be created. The cost and complexity of buying and installing cables are eliminated, and nodes can be relocated at any time without regard to where the cable is. Each PC is equipped with a NIC that incorporates a wireless modem transceiver. Wireless LANs using a version of Ethernet called Wi-Fi are described in detail in Chap. 22.

Ethernet in the First Mile. Also known as *Ethernet Passive Optical Network (EPON)*, *Ethernet in the First Mile (EFM)* is the IEEE standard 802.3ah. It is a version of Ethernet designed to be used in fiber-optic networks that connect homes and businesses to high-speed Internet services. The *first mile*, also called the *last mile*, is a term used to describe the relatively short connection from a home or office to a local terminal or connection point that distributes data via a fiber-optic link. The EFM system uses the standard Ethernet protocols at a speed of 1.25 Gbps. It permits up to 32 users per connection, and the maximum range is about 20 km. A 10-Gbps version of EPON is now also in service. More details on fiber optics are given in Chap. 20.

Ethernet Passive Optical Network (EPON), Ethernet in the First Mile (EFM)

Power over Ethernet. *Power over Ethernet (PoE)* is an addition to Ethernet LANs that is used to deliver dc power to remote devices connected to the network. The related IEEE standards are 802.3af and 802.3at. Specifically, it supplies about 48 V of unregulated direct current over two of the twisted pairs in a CAT5 UTP cable. This eliminates the need for some devices on the LAN to have their own power supply, and it eliminates the need for that remote device to be near a 120- or 240-V ac outlet. Some examples are wireless access points used to extend the LAN and *Voice over Internet Protocol (VoIP)* telephones, which are rapidly replacing standard switched analog phones. There are

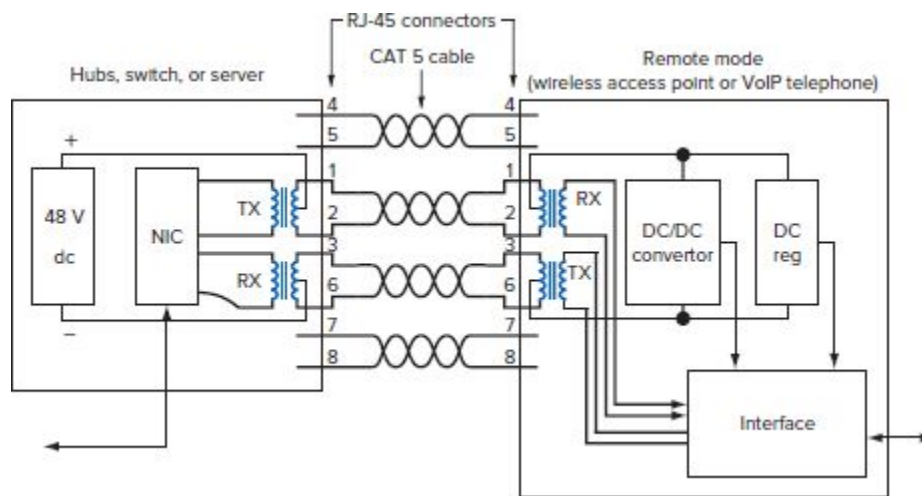
numerous industrial applications as well, such as video surveillance cameras.

Power over Ethernet (PoE)

Voice over Internet Protocol (VoIP)

Fig. 14-21 shows a common PoE arrangement. On [page 508](#) the left, a 48-V dc power supply is connected to the center taps of the I/O transformers in the Ethernet NIC. These transformers carry the serial Ethernet data. Both wires in each pair carry the direct current. The wires in the twisted pairs are effectively in parallel for direct current. The direct current does not interfere with the data.

Figure 14-21 Power over Ethernet supplies dc power over the LAN cable to eliminate the need for external power.



On the receiving end, transformers accept the signal and pass it along to the NIC circuitry in that device as usual. The dc voltage is captured from the center taps. This dc voltage is then translated to another dc level by a dc-dc converter or a voltage regulator. Voltages of 24, 12, 6, 5, and 3.3 V are common. This voltage powers the interface circuits at that end of the cable, thereby eliminating the need for a separate ac line or power supply.

The choice of 48 V was based on the fact that the wires in a CAT5 cable are very small, usually no. 28. Smaller wires have higher dc resistance and so can produce a rather large voltage drop along the cable. By keeping the voltage high, the line current is less for a given amount of power consumption in the load, thereby producing much less of a voltage drop. In practice, the maximum range is 100 m, and the voltage can usually be anything from 44 to 57 V as the dc supply is unregulated.

The maximum allowed current is 550 mA, although the current is usually held to a value of 350 mA or less. At 48 V, this translates to a maximum current consumption of 16.8 W. The standard states that the maximum desirable load is 15.4 W. Because some power is dissipated in the cables, the maximum load is 12.9 W. Most loads consume much less than that. A newer version of the standard 802.3 uses larger wire in the CAT5 or CAT6 cable to cut losses and uses all four pairs in the UTP cable to deliver a maximum current to 600 mA and a maximum power of 25.5 W. More recently the 802.3at standard for PoE provided for up to 34.2 watts over CAT5 cable. Several specialized versions of PoE capable of up to 60 watts or more are also available from several vendors.

Power over Ethernet is designed to work with all UTP versions of Ethernet, including 10-, 100-, and 1000-Mbps systems. Only two pairs are used. The dc power is applied to the cable with a separate piece of equipment called an injector. Sometimes the direct current is supplied inside a hub or switch. Different versions of the standard vary with the pairs defined to carry the direct current and which pins on the RJ-45 connectors are used. Some companies offer variations that supply 12 V instead of 48 V.

Access Method

Access method refers to the protocol used for transmitting and receiving information on a bus. Ethernet uses an access method known as *carrier sense multiple access with collision detection (CSMA/CD)*, and the IEEE 802.3 standard is primarily devoted to a description of CSMA/CD.

Access method

Carrier sense multiple access with collision detection (CSMA/CD)

Whenever one of the nodes on an Ethernet system has data to transmit to another node, the software sends the data to the NIC in the PC. The NIC builds a *packet*, a unit of data formed with the information to be transmitted. The completed packet is stored in RAM on the NIC while the sending node monitors the bus. Because all the nodes or PCs in a network monitor activity on the bus, whenever a PC is transmitting information on the bus, all the PCs detect (sense) what is known as the carrier. The carrier in this case is the Ethernet data being transmitted at a 10-Mbps (or 100-Mbps) rate. If a carrier is present, none of the nodes will attempt to transmit.

Packet (frame)

When the bus is free, the sending station initiates transmission. The transmitting node sends one complete packet of information. In a sense, the transmitting node “broadcasts” the data on the bus so that any of the nodes can receive it. However, the packet contains a specific binary address defining the destination or receiving node. When the packet is received, it is decoded by the NIC, and the recovered data is stored in the computer’s RAM.

GOOD TO KNOW

The Institute of Electrical and Electronics Engineers (IEEE) establishes and maintains electrical, electronic, and computing standards.

Although a node will not transmit if a carrier is sensed, at times two or more nodes may attempt to transmit at the same time or almost the same time. When this happens, a *collision* occurs. If the stations that are attempting to transmit sense the presence of more than one carrier on the bus, both will terminate transmission. The CSMA/CD algorithm calls for the sending stations to wait a brief time and then attempt to transmit again. The waiting interval is determined randomly, making it statistically unlikely that both will attempt retransmission at the same time. Once a transmitting node gains control of the bus, no other station will attempt to transmit until the transmission is complete. This method is called a *contention system* because the nodes compete, or *contend*, for use of the bus.

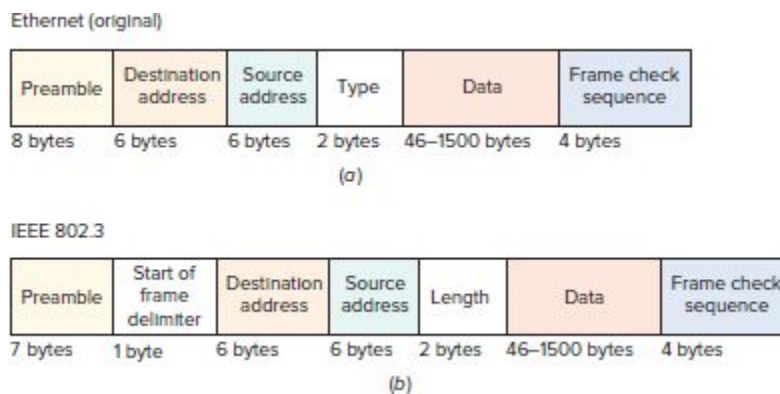
In Ethernet LANs with few nodes and little activity, gaining access to the bus is not a problem. However, the greater the number of nodes and the heavier the traffic, the greater the number of message transmissions and potential collisions. The contention process takes time; when many nodes attempt to use a bus simultaneously, delays in transmission are inevitable. Although the initial delay might be only tens or hundreds of microseconds, delay times increase when there are many active users. Delay would become an insurmountable problem in busy networks were it not for the packet system, which allows users to transmit in short bursts. The contention process is worked out completely by the logic in the NICs.

The CSMA/CD access method still works for older half duplex Ethernet versions. But today, most Ethernet LANs are connected to network switches that use full duplex operation. With this arrangement, when multiple nodes want to transmit at the same time, the CSMA/CD method is abandoned and an Auto-Negotiation protocol examines the ports involved in a contention and automatically interconnects them in a full duplex configuration if they are capable.

Packet Protocols

Fig. 14-22(a) shows the packet (frame) protocol for the original Ethernet system, and Fig. 14-22(b) shows the packet protocol defined by IEEE standard 802.3. The 802.3 protocol is described here. There are two more frame formats not shown in the figure or discussed here. These frames support virtual LANs, a technique that allows several ports on a switch to be grouped together and set up to perform as a separate LAN.

Figure 14-22 Ethernet frame formats.



The packet is made up of two basic parts: (1) the frame, which contains the data plus addressing and error detection codes, and (2) an additional 8 bytes (64 bits) at the beginning, which contains the *preamble* and the *start frame delimiter (SFD)*. The preamble consists of 7 bytes of alternating 0s and 1s that help to establish clock synchronization within the NIC, and the SFD announces the beginning of the packet itself with the code 10101011.

Preamble

Start frame delimiter (SFD)

The *destination address* is a 6-byte, 48-bit code page 510 that designates the receiving node. This is followed

by a 6-byte source address that identifies the sending node. These are the MAC addresses. Next is a 2-byte field that specifies how many bytes will be sent in the data field. Finally, the data itself is transmitted. Any integer number of bytes in the range from 46 to 1500 bytes can be sent in one packet. Longer messages are divided up into as many separate packets as required to send the data.

Finally, the packet and frame end in a 4-byte frame check sequence generated by putting the entire transmitted data block through a *cyclical redundancy check (CRC)*. The resulting 32-bit word is a unique number designating the exact combination of bits used in the data block. At the receiving end, the NIC again generates the CRC from the data block. If the received CRC is the same as the transmitted CRC, no transmission error has occurred. If a transmission error occurs, the software at the receiving end will be notified. Sometimes when the data length is short, 1 or more padding bytes (octets) are added between the data and CRC.

Cyclical redundancy check (CRC)

It is important to point out that data transmission in Ethernet systems is synchronous: The bytes of data are transmitted end to end without start and stop bits. This speeds up data transmission but puts the burden of sorting the data on the receiving equipment. The clocking signals to be used by the digital circuits at the receiving end are derived from the transmitted data itself to ensure proper synchronization and counting of bits, bytes, fields, and frames.

GOOD TO KNOW

When you want to determine how long a packet transmission will take, first find out how fast the bit rate is; then find out how large the packet will be. The frame size is the total of the data and the header size.

Ethernet and the OSI Layers

It is helpful to understand how Ethernet relates to the OSI model discussed earlier in this chapter. Ethernet actually defines the first two layers; layer 1 is the physical layer (PHY) and layer 2 is the data link layer. The physical layer defines all the hardware that handles the transfer of bits from one place to another. It identifies the medium type, connectors, encoding and decoding, and all the related signaling functions. Any network interface card or chip includes the physical layer components. Repeaters and hubs are also layer 1 devices.

Example 14-2

How fast can a 1500-byte block of data be transmitted on a 10-Mbps Ethernet (IEEE 802.3) packet? [Note: For the Ethernet IEEE 802.3 format, use Fig. 14-22(b)].

$$\text{Time for 1 bit} = \frac{1}{10} \times 10^6 = 100 \text{ ns}$$

$$\text{Time for 1 byte} = 8 \times 100 = 800 \text{ ns}$$

$$\text{Time for 1526 bytes} = 1526 \times 800 \text{ ns} = 1220.800 \text{ ns (1.2208 ms)}$$

The data link layer is actually divided into to page 511 sublayers called the *media access control (MAC)* sublayer and the *logical link control (LLC)* sublayer. The MAC layer handles all the encapsulation of the data to be transmitted, which includes the wrapping of the preamble, SOF delimiter, destination and source addresses, and CRC around the data. Hardware within the interface card or chip handles these chores.

Media access control (MAC)

Logical link control (LLC)

The LLC assists the MAC sublayer in dealing with the transmitted or received data in the upper layers of the OSI stack. In the data field shown in Fig. 14-22(b), several additional fields are appended to the beginning of the data. These fields control the handling of the data, identify services available, and define the protocol to be used in the upper layers. There are several variations of these additional fields, which are beyond the scope of this text.

14-4 Advanced Ethernet

As old as Ethernet is, it continues to evolve. Today it is faster than ever and offers multiple new features and characteristics. Here is a summary of the most recent developments.

40 Gbps and 100 Gbps Ethernet

As semiconductor and optical technologies have progressed, it has been possible to push Ethernet speeds higher and higher. Over the years, speeds have increased by factors of 10 from 10 to 100 to 1000 Mbps (1GE) and today 10 Gbps (10GE). Now 40 Gbps (40GE) and 100 Gbps (100GE) versions are available and already deployed. It was initially thought that the next decade increment from 10 Gbps to 100 Gbps would be too difficult and impractical, so a 40-Gbps option was created. As it turned out, the 100-Gbps level was achievable. The 40GE/100GE version of Ethernet was standardized in 2010 as IEEE 802.3ba. With these speed levels, Ethernet can compete with MAN and WAN services as well as maintain its dominance in the LAN arena.

The goal of the 40GE/100GE development was to create a number of different versions that could be used not only in

LANs but also in WAN, MAN, data centers, and equipment backplanes. Other objectives were to keep the standard frame format and to achieve a bit-error rate (BER) of at least 10^{-12} . Those goals were reached, and the result is summarized in Table 14-1.

Table 14.1		Ethernet Cabling Options	
Physical layer (medium)	Range (meters) UP to . . .	40GE	100GE
Backplane	1 m	40GBASE-KR4	100GBASE-KP4
Improved backplane	1 m		100GBASE-KR4
Twinax copper coax cable	7 m	40GBASE-CR4	100GBASE-CR10
CAT8 twisted pair	30 m	40GBASE-T	
MMF (OM3)	100 m	40GBASE-SR4	100GBASE-SR10
MMF (OM4)	125 m	40GBASE-SR4	100GBASE-SR10
SMF	2 km	40GBASE-FR	
SMF	10 km	40GBASE-LR4	100GBASE-LR4
SMF	40 km		100GBASE-ER4

Most of the options in Table 14-1 are fiber-optic cables. Yet some copper cable options are available. A backplane is basically a printed circuit board (PCB) used as a base to interconnect other integrated circuits and PCB assemblies with connectors. Copper line on the PCB replaces the cables. The length of the copper lines is less than 1 meter. KR and KP designate copper backplanes. The 4 means four lanes or paths.

The copper cable is the twinax coax as described earlier. The designation CR4 means four parallel cables. A new version of unshielded twisted-pair designated CAT8 is used in a 40GBASE-T version. CAT8 cable or connectors are not yet available as of this writing. All of the other versions are fiber-optic cable. These copper versions are intended for use in data centers to interconnect servers, switches, routers, and other equipment.

To achieve the 40- and 100-Gbps speeds, a variety of methods are used. First a 64B/66B version of the Reed-Solomon (R-S) forward error correction (FEC) code is used to ensure a good BER. Each 64-bit block of data is converted to a 66-bit code that permits error detection and correction.

Next either 4 or 10 parallel lanes or paths are page 512 used. For 40 Gbps, four 10-Gbps paths are used. Each path may be a separate fiber or a different light “color” or wavelength on a single fiber. This latter approach is a form of frequency division multiplexing called wavelength division multiplexing (WDM). See Chap. 20.

To deliver 100 Gbps of data, several methods are used. One of them is to use four 25-Gbps paths on separate fibers or wavelengths of light. Alternately, 10 paths at 10 Gbps are used. One version uses multilevel PAM4 to deliver 2 bits per baud per path. A single serial path is used in the 40GBASE-FR version over SMF. Note that 40GBASE-SR4 and 100GBASE-SR10 use different types of MMF cable. OM4 has less loss and attenuation than OM3. You will learn more about fiber cables in Chap. 20.

In Table 14-1 the terms *SR* means short range or reach, *LR* means long range or reach, *FR* means far range or reach, and *ER* means extended range or reach. The numbers 4 and 10 indicate the number of paths used. Also, with the overhead of extra bits added by using the R-S 64B/66B FEC, that actual line speed is higher. For example, for 10-Gbps paths the actual rate is 10.3125 Gbps producing a full rate of either 41.25 Gbps or 103.125 Gbps. For the versions using four paths for 100 Gbps, the line rate per path is 25.78125 Gbps giving a total rate of 103.125 Gbps. In all cases, the actual data rates after FEC processing are 40 Gbps or 100 Gbps.

The 40GE and 100GE versions are being used right now. However, new versions for even higher data rates are in

development. The next increments are 200 Gbps and 400 Gbps.

As this is written, both 400-Gbps and 800-Gbps standards are being developed. Some have proposed a 1600-Gbps or 1.6-Tbps standard (that's 1.6 terabytes per second).

Carrier Ethernet

With the 40-Gbps and 100-Gbps speeds, Ethernet can potentially be used to replace existing technologies in the MANs and WANs. For example, Ethernet could replace multiple TDM T1 or T3 carrier systems in MANs or Sonet (Synchronous optical network) in WANs. Further, Ethernet can provide communication links in the Internet backbone networks or mobile backhaul connections. Internet connectivity is now being referred to as the cloud, where the cloud represents a mixture of networks that connect users with their smartphones, tablets, laptops, PCs, or even individual devices like sensors or appliances. Cloud computing means that users access storage or software at remote sites rather than apply those available locally on the user's device. For these applications, more than just a high data rate is needed.

Ethernet has been only a "best effort" connection page 513 where BER was not particularly high or necessary. For commercial MANs and WANs, a higher degree of reliability and better BER are essential. In addition, Ethernet packet or frame delivery times can vary widely depending on the nature of the media involved and the circuitry. In many systems, there is considerable latency or delay, which makes the time of delivery highly variable or unpredictable. For some applications, such as real-time control in industrial applications of cellular network service, Ethernet must be deterministic or provide some form of predictable timing

and synchronization over distance. Finally, Ethernet for WAN, MAN, or cloud computing needs greater security.

All of these needs are now being met by an enhancement to Ethernet called Carrier Ethernet (CE). CE uses additional hardware and software with standard Ethernet to provide the more reliable, deterministic, and secure service demanded by banks, other businesses, and industry. Now traditional telecommunications and Internet service companies can begin to use Ethernet to replace existing systems for improved service. In the meantime, Ethernet can still be repackaged and transported over other technologies, such as Sonet, that may still be used or the new Optical Transport Network (OTN). These are discussed later in Chap. 20.

The key feature of Carrier Ethernet is guaranteed Quality of Service (QoS), which provides the essential reliable and timely delivery of any data (voice, video, etc.). Next is a feature called Operation, Administration, and Maintenance (OAM), which permits a carrier to provision the service remotely as well as monitor and control the network from another site. OAM allows online troubleshooting as well as quick response to customers who want to expand their service.

Carrier Ethernet is a large and complex addition to Ethernet created and managed by the Metro Ethernet Foundation (MEF). MEF also certifies systems that meet their rigid standards and specifications. With CE, Ethernet offers a lower-cost but effective networking option to those building MANs and WANs.

14-5 Special Ethernet Variations

Ethernet not only keeps improving, but also several special versions have been created. Three of these are 2.5G/5G

Ethernet, industrial Ethernet, and automotive Ethernet. Here is a brief introduction of each.

2.5G/5G Ethernet

Ethernet data rate advances over the years have all occurred by a factor of 10. Ethernet has progressed from an initial speed of 10 Mbps to 100 Mbps, to 1 Gbps, then 10 Gbps, and so on. All of these steps to higher speeds have been reached because of major technological advances. The intermediate speed versions that have been introduced are the 2.5G and 5G bps versions that are designated as standard IEEE 802.3bz. Also known as 2.5GBASE-T and 5GBASE-T, these versions were developed to deal more efficiently with the new faster wireless standards.

Most organizations have wireless networks based page 514 on Wi-Fi that connects with laptops and smartphones. The Wi-Fi access points (APs) attach to the main wired enterprise Ethernet network. For many organizations, the primary LAN wiring is still CAT5e. This was probably installed years ago and was fast enough for most applications with rates of up to 1 Gbps. Now, with new faster Wi-Fi versions being installed, this older network is the speed bottleneck. The main Wi-Fi version in use today is 802.11ac (Wi-Fi 5). This standard accommodates a data rate of up to just over 6 Gbps. Of course, that speed could never be achieved in practice if the Wi-Fi AP is connected to a network that is only able to handle speeds of up to 1 Gbps. The slowest part of the network dominates.

Most legacy Ethernet wiring is CAT5e that can handle 1 Gbps at up to 100 meters as the various standards specify. It will actually handle a rate of 2.5Gbps at up to 100 meters. To achieve the maximum potential speed of the connected 802.11ac wireless AP, the next normal speed increment for

the wired network is 10 Gbps. This is an expensive step-up as the network would have to be rewired with CAT6 cable. To avoid the expense, downtime, and hassle of a massive recabling effort, the 2.5G and 5G versions let you use your existing CAT5e wired network but allow the 802.11ac APs to work at and up to near their capacity.

The next major wireless LAN standard is already here and presents a similar problem. The IEEE 802.11ax (Wi-Fi 6) wireless standard can achieve data rates of up to about 10 Gbps. The CAT5e wiring just will not handle it. At some point the main wired network is going to have to upgrade to CAT6 or CAT6a. In the meantime, the 5G Ethernet will allow speeds of up to about 5 Gbps over shorter distances on CAT5e cabling. If CAT6 cables are available, the standard 10 Gbps rate can be achieved but only up to a maximum range of 55 meters and less. 5GBASE-T can run at full speed on CAT6 wiring at that range.

Finally, these new versions are fully compatible with the PoE standard 802.3at.

Industrial Ethernet

Industrial Ethernet is another special version of standard Ethernet that is better suited to networking duties in factories, process control plants, and any other industrial environments. Of course, you can use standard Ethernet in any of these settings, but it may not be as reliable or flexible to do the job. A new version of Ethernet addresses the many pitfalls and disadvantages of off-the-shelf office-grade Ethernet in an industrial setting.

There are three basic shortcomings of standard Ethernet that are overcome by using Industrial Ethernet.

- 1. Environment.** Industrial settings are dirty, hazardous, noisy, possibly toxic, and are often subjected to many high- and low-temperature extremes. As a result, the

cabling, connectors, and equipment should be protected and made to withstand such harsh conditions.

2. **Determinism.** Standard Ethernet is not deterministic. That means that the actual timing of the data transfers is random and widely variable. Many industrial applications require more precisely timed communications. The network needs to handle real-time operations where deterministic conditions make timing predictable.
3. **Field bus compatibility.** Most factories and other industrial facilities use special networks called field buses to interconnect a variety of machines, sensors, and controllers. These buses must, at some point, interface with a larger network such as Ethernet. An industrial Ethernet needs to handle these different standards and protocols.

These issues are dealt with by modified hardware and software collectively known as industrial Ethernet. Industrial Ethernet uses standard twisted-pair cabling. The most common data rate is 100 Mbps, but some applications use a 1 Gbps version.

The environmental problems are overcome by using heavy-duty cables with heavier duty jacketing that is also immune to higher or lower temperatures and many toxic substances in the environment. In extreme environments where electrical noise is a problem, fiber-optic cable is used.

The standard RJ-45 connectors are inadequate for page 515 industrial use, but special shielded and protected versions that keep out moisture and dirt are available. In some installations, different connectors have been adopted because of their greater reliability. For example, the M12-type connector is often used in critical applications. The networking equipment is also ruggedized and in some cases can actually be put into protective cabinets.

The solution to the determinism problem lies with adopting one of the various industrial protocols. Some of these protocols are EtherCAT, EtherNet/IP, PROFINET, and several others. These protocols use a different MAC layer to reduce latency and to implement some form of determinism.

Field buses are special serial communications networks that are used to interconnect sensors and actuators in an industrial setting. Sensors measure temperature, flow pressure, and other physical characteristics of the process control applications and provide inputs to the controllers that turn motors off and on, regulate the flow of liquids, and perform other diverse functions. Such field buses keep plants running successfully but at some point most of them are connected to a larger network, most likely Ethernet.

Three of the most popular field buses are FOUNDATION Fieldbus, HART, and PROFIBUS. They have their own unique protocols and generally try to follow the OSI networking model. All of them implement both layers 1 and 2 and layer 7, the application layer. Other fieldbuses use layers 3 and 4 as well. Both FOUNDATION Fieldbus and PROFIBUS are compatible with Ethernet as they use the standard Ethernet layers 1 and 2. They also use the Internet Protocol (IP) for layer 3 operations and either the Transmission Control Protocol (TCP) or the User Datagram Protocol (UDP) for the transport layer 4. TCP, IP, and UDP are explained in Chap. 16.

Automotive Ethernet

Over the years, automobiles have adopted many new electrical and electronic subsystems. There are multiple electronic control units (ECUs) for the power train, brakes, steering and suspension, and body devices such as doors, windows, mirrors, and seats. The infotainment equipment

includes the sound system, radios, GPS navigation, as well as wireless equipment like Wi-Fi and Bluetooth. Now most vehicles have adopted the advanced driver assistance systems (ADAS) with its backup cameras, adaptive cruise control, lane keeping and warning, and other safety measures.

All this equipment is usually networked with networking standards like CAN, LIN, MOST, FlexRay, and LVDS. Now, as processor and communications speeds have continuously increased, these older networks are either not fast enough or interoperable. In addition, wiring harnesses have become larger, bulkier, more complex, and expensive. As a result, the automotive industry has adopted a new version of Ethernet to serve as the main network in vehicles. The standard is IEEE 802.3bw and it is a 100 Mbps version called 100BASE-T1. This variant of Ethernet uses a single twisted-pair cable as the physical layer. It achieves the 100-Mbps rate over a single pair by using a unique physical layer scheme that includes a 4- to 3-bit coding method plus a PAM3 transmission signal with a symbol rate of 33.333 MHz. This networking standard has reduced the cost, weight, and complexity of automotive electronic systems. A 1-Gbps version of automotive Ethernet (803.2bp) using only a single twisted-pair cable has also been developed to further accommodate even more electronic equipment in vehicles.

Other variations of automotive Ethernet include special time and synchronization techniques to achieve a useful level of determinism and to reduce the latency of data transmission. Many automotive functions require rapid responses, some in the microsecond range, to sense and control critical functions. This is handled by the IEEE 1588 timing standard.

Another feature of automotive Ethernet is the use of audio video bridging (AVB). This is a standard protocol (IEEE 802.1) that ensures the timely transmission of video and audio information over the vehicle network.

CHAPTER REVIEW

Online Activity

14-1 Exploring Ethernet in More Depth

Objective: To learn more details about the world's most ubiquitous networking system.

Procedure:

1. Using the questions in the next section as your guide, conduct any necessary Web searches as needed to provide the answers. Any other sources may be used.

Questions:

1. What grade of UTP seems to be the most widely used in LANs?
2. What is the most common and popular speed version of Ethernet?
3. Investigate the Ethernet Alliance and state its purpose and resources.
4. What is the IEEE standard numerical designation for Ethernet?
5. What is the PHY (physical layer 1 in OSI) in most Ethernet networks?
6. At what layer of the OSI networking model is the MAC address used?
7. Go to the IEEE 802.3 site and explore what information is available. Summarize.

- 8.** What is the characteristic impedance of twisted-pair cable?
- 9.** Ethernet is becoming more widely used in industry. Name two industrial versions of Ethernet.
- 10.** What technologies have been developed to provide determinism, timing, and synchronization operations over Ethernet?
- 11.** What is the commercial name given to what most call “wireless Ethernet”?
- 12.** Do laptops, tablets, or smartphones have an Ethernet port?

Questions

- 1.** What is the main purpose of a LAN?
- 2.** Which is smaller, a WAN or a MAN?
- 3.** What is a common example of a MAN?
- 4.** What is the upper limit on the number of users on a LAN?
- 5.** What is the name given to each PC in a network?
- 6.** Name the four common LAN topologies.
- 7.** Which two topologies are the most popular?
- 8.** What is the name given to the main controlling PC in a LAN?
- 9.** Give two examples of a WAN.
- 10.** What transmission medium is used in most MANs and WANs?
- 11.** What is probably the most common application on a LAN?
- 12.** What is a SAN?
- 13.** What transmission medium is used in a PAN?
- 14.** What is the main advantage of a mesh networks?
- 15.** What is the main advantage of coaxial cable over twisted-pair cable?
- 16.** Name the two types of twisted-pair cable.

- 17.** What wire sizes are common in twisted-pair cable?
- 18.** Name the connector most widely used with twisted-pair cable in LANs.
- 19.** What circuitry is used to connect a PC to a network?
- 20.** What accessory is added to an Ethernet network if the distance between nodes is long or if the overall cable length is long and the signal is overly attenuated or distorted?
- 21.** What piece of equipment is used to connect two LANs using the same formats or protocols?
- 22.** What is an Ethernet switch, and what benefit does it offer?
- 23.** Define router and explain its basic function.
- 24.** What is PoE and why is it used?
- 25.** List the six Ethernet transmission speeds.
- 26.** Name the basic topology of Ethernet.
- 27.** What is the name of the line encoding method used with Ethernet, and why is it used?
- 28.** Name the two main types of cables used with Ethernet.
- 29.** What is the access method used by Ethernet called? (Give the full name and the abbreviation.)
- 30.** Explain briefly how a station gains access to the LAN when Ethernet is used.
- 31.** What is the maximum length of data that can be transmitted in one Ethernet packet?
- 32.** What is the speed of Fast Ethernet?
- 33.** In which layers of the OSI model does Ethernet work?
- 34.** Explain the process by which data can be transmitted at 1 Gbps over copper cable.
- 35.** What is the maximum transmission distance of 1-Gbps and 10-Gbps Ethernet? What two factors determine this distance?
- 36.** What are the main applications of 1-Gbps and 10-Gbps Ethernet?

- 37.** What data encoding scheme is used in 1-Gbps and 10-Gbps Ethernet? Why is it used?
- 38.** What transmission medium is used in EFM? page 517
- 39.** Name the two basic types of fiber-optic cable.
- 40.** What is primary medium for 1GE?
- 41.** Define MAC address.
- 42.** What is a backplane?
- 43.** Explain how 40GE and 100GE networks are built using 10GE paths.
- 44.** Why is the network line rate different from the data rate in 40GE and 100GE networks?
- 45.** True or false: Ethernet is used in MANs and WANs.
- 46.** What enhancement to Ethernet provides greater reliability and management ability?
- 47.** Name the two least-used layers of the OSI model.
- 48.** Name the seven OSI layers in order from highest to lowest.
- 49.** What are the three or four most used layers?
- 50.** Which OSI layers are implemented in hardware?
- 51.** Name the three reasons why a special version of Ethernet is needed for industrial applications.
- 52.** State the main impetus for developing the 2.5G and 5G versions?
- 53.** What unique feature of automotive Ethernet makes it attractive to vehicle networking?

Problems

- 1.** What are the basic data transmission rate of Fast Ethernet and its bit rate interval? ◆
- 2.** What is the fastest Ethernet speed?
- 3.** Using 8B/10B encoding, what is the actual line speed of a network if the actual data rate is 10 Gbps?

4. Calculate the transmission time of an 802.3 standard packet with a 1200-byte payload at 1 Gbps.
5. What are the data rates of industrial and automotive Ethernet?

◆ *Answers to Selected Problems follow Chap. 23.*

Critical Thinking

1. Networks are usually thought of in terms of general-purpose PCs in a LAN. However, other types of devices and computers are networked. Give one example.
2. Other than speed of transmission, what three key factors influence how fast two nodes in a LAN can communicate?
3. Explain why 1-Gbps/10-Gbps Ethernet is slower with the 8B/10B FEC.
4. Can 40GE or 100GE be carried over a single fiber?
5. What makes it possible for data to be transmitted at 10 Gbps over copper cable?

Wired Data Communications

This textbook emphasizes wireless communications, but it is important to note that a considerable amount of communication takes place over wired connections and networks. One of these, Ethernet, was covered in Chap. 14. In Chap. 15 we expand on that coverage to familiarize you with some of the most commonly used wired serial data communications interfaces. You are certain to encounter these in your communications work.

Other parts of this textbook have already covered the basic theory you will need to understand the interfaces covered in this chapter. This material is given in Chap. 7, Digital Communication Techniques, and Chap. 10, Digital Data Transmission. Chap. 13, Transmission Lines, is also helpful. Chap. 14, Fundamentals of Networking, Local-Area Networks, and Ethernet, provides additional context and background plus a major coverage of Ethernet.

Objectives

After completing this chapter, you will be able to:

- State the reason that serial data communications are more widely used than parallel data transmission.

- Calculate the data rate of a serial communications interface given the bit time.
- Calculate the bit time of a serial communications interface given the data rate.
- Name the most commonly used long-range serial data communications standards.
- List two popular low-speed and two widely used high-speed data interfaces.
- Name three common applications for short-distance serial communications.

15-1 Rationale for Serial I/O

page 519

To begin the discussion of serial data transfer, we should review why serial data transfers are preferred over parallel data transfer. A parallel data transfer communicates by moving all bits of a word at the same time over multiple connections. For example, to transfer 1 byte of information, eight parallel wires or other interconnections are required. While parallel transfers can be accommodated over short distances, such as interconnections or a printed circuit board (PCB), they are impractical for longer interconnections via cables. Parallel transfers are extremely fast, but many applications do not require such high speeds. Therefore, it is sensible to use a simpler serial connection.

Serial connections are the most desirable because the data is transferred a bit at a time over usually one connection. This simplifies the interconnection and makes it easier to design. When long-distance interconnections are required, the serial method is preferred because only a few wires or cables are needed rather than multiple connections. This reduces the cost and complexity of the cabling. Further, it makes transmission over longer

distances practical. All wireless data transfers are in the serial data format.

Data Rate

As for speed of transmission, the serial method is obviously slower as only 1 bit is transmitted at a time. However, there are serial interfaces that can transfer data at extremely high rates of speed. Data rates of up to 10 Gbps are possible, and even higher speeds are possible when using fiber-optic cable. The very high data rate of some serial interfaces makes them very competitive with parallel data speeds.

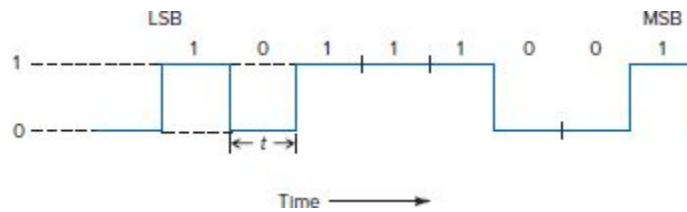
GOOD TO KNOW

Remember that the data rate is restricted by the length and type of serial cable or other interconnection used for communications. The cable acts as a low-pass filter and attenuates all the higher harmonics in the signal thereby rounding it off and otherwise distorting it. The result is a signal in which it is difficult to distinguish between adjacent bits. This is known as an inter-symbol interference (ISI) that produces bit errors. Multiple techniques have been developed to minimize this problem, but the most direct solution is to keep the cable as short as possible.

Recall from your previous knowledge how data rate is computed. It is generally calculated simply as the reciprocal of the bit time. As Fig. 15-1 shows, each bit has a fixed time duration usually represented by t . The data rate (R) in bits per second is the reciprocal of this interval, or

$$R = 1/t$$

Figure 15-1 Data rate (R) in bits per second (bps) is a function of bit time interval $R = 1/t$.



For example, a bit time of 4 ns represents a data rate of

$$R = 1/(4 \times 10^{-9}) = 250 \text{ Mbps}$$

If you know the data rate and need to know the bit time, you simply change the formula to read

$$t = 1/R$$

A 115.2-kHz serial data signal has a bit time of

$$t = 1/R = 1/(115.2 \times 10^3) = 8.68 \mu\text{s}$$

Duplexing

Duplexing refers to how two-way communications are implemented. For example, full duplex means that two communicating parties can transmit and receive at the same time. Telephones and cell phones are like that.

Half duplex means that two-way communications page 520 are possible, but the two communicating parties must take turns transmitting. Most two-way radio is like that. Some wired standards support only half duplex.

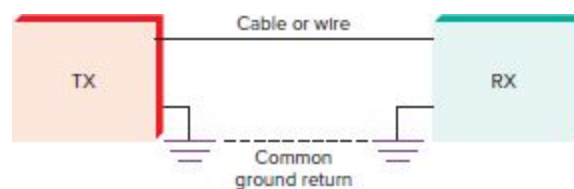
Simplex is one-way communications only. Radio broadcasting is like that. A few wired standards implement only simplex.

Unbalanced Versus Balanced Transmission Lines

Another important characteristic of the serial wired connection is whether it is a balanced or unbalanced configuration.

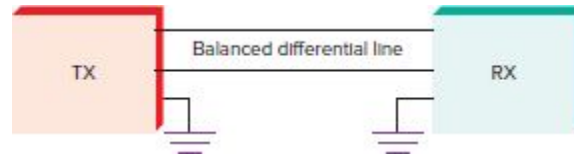
The most common arrangement in most serial connections are of the unbalanced type as shown in Fig. 15-2. As in all data connections, a closed loop is required to transfer a voltage from one circuit to the other. The transmitter (TX) sends the voltage over a single wire connection to the receiver (RX). The return is a common ground. This type of connection is simple and easy to implement.

Figure 15-2 An unbalanced connection between transmitter and receiver.



A balanced or differential connection means that the data is transferred over two parallel lines, each of which is referenced to ground. See Fig. 15-3. While the balanced connection requires two wires referenced to ground, its benefit is that it provides some level of noise cancellation. Noise signals tend to be introduced by inductive or capacitive coupling with the same undesired level in both wires. The longer the cable, the more likely it is to pick up noise. Because of the differential connection, the noise on one wire cancels the other. Such noise cancellation is generally the most beneficial in connections that must run some distance.

Figure 15-3 A balanced connection also called differential.



You have already learned some of the other serial transmission characteristics in other chapters. These include topics such as protocols, error detection and correction, access methods, and serial-to-parallel and parallel-to-serial conversion. Refer back to those chapters if needed to refresh your memory on the characteristics that will be discussed in the following sections.

15-2 Serial I/O Applications

Here we discuss a few examples of where serial data transfers are used. Connections between microcontrollers and other ICs are often made by serial data connections, which greatly simplifies the wiring pattern on the PCB. Many such serial interfaces are defined. Transmission distances typically are less than 12 inches but, in some cases, up to several feet.

Serial interfaces are also used for connections page 521 between separate PCBs or between subassemblies. Such connections might run up to several feet and many if not most will require some type of connector on either end of the cable.

Longer interconnections are those requiring a cable connecting separate pieces of equipment on a lab bench, or in a factory between different machines. Such connections may run up to 50 feet or more. Again, a serial cable is smaller and simpler; most require connectors.

Connections between computers and peripherals like printers, keyboards, and mice are examples. Local-area networks using Ethernet as described in Chap. 14 is another

example. Ethernet is one of the best examples of wired communications over a longer distance, up to 100 m. Even longer connections are made in some networks by using fiber-optic cable. The discussion in this section covers only the first three of these instances.

15-3 Low-Speed Serial Interfaces

There are literally dozens of serial communications interfaces. Some of them are proprietary to the inventing company so usage is minimal. Otherwise, most of them are specified in detail by formal standards. The standards organizations design and develop the standard and closely define its various characteristics.

An important objective of the standards is to ensure that all who use the standard have the same characteristics and operational procedures. This permits the interoperability of different pieces of equipment using the interface. In the serial interface descriptions to follow this standards organization is usually mentioned. These organizations typically are a good source for detailed standards specifications. Many of these organizations also provide testing and certification of equipment using the interface to ensure that the product meets all specifications. That implies that the certified product will be interoperable.

Serial interfaces are generally divided into two main categories: high speed and low speed. The selected interfaces covered here are divided in this way.

Low speed	0 to 10 Mbps
High speed	>10 Mbps to 10 Gbps

Of all the different interfaces available, several low-speed interfaces are widely used in communications. The

interfaces included here are RS-232, RS-485, CAN, and I²C.

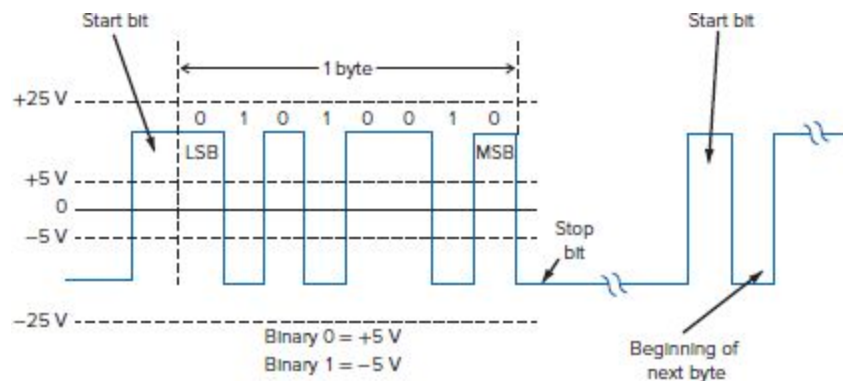
RS-232

The RS-232 interface may be the oldest serial page 522 communications interface in common use. It was originally designed to connect electromechanical teletypewriters together and to other equipment. This interface was also used to connect video terminals to mainframe computers and modems. In addition, the RS-232 interface used to be a common feature of most personal computers, printers, and other computing equipment. Today, however, this serial interface has been largely replaced by the popular universal serial bus interface. Nevertheless, you can still find the RS-232 as part of certain types of industrial control equipment, machine tools, programmable logic controllers, and other equipment. Many embedded microcontroller chips have an internal RS-232 port built-in. You will also hear of the RS-232 interface referred to as a serial port.

The source of this particular standard is the Electronics Industry Alliance (EIA). Since then, it has also been standardized by the American National Standards Institute (ANSI) as well as the Telecommunications Industry Alliance (TIA-232-F). The *F* indicates one of several versions that are part of a long series of updates and improvements in the interface.

The RS-232 standard is an asynchronous interface. Data is transmitted in bytes, one bit at a time. Start and stop bits define the beginning and the end of each byte. See Fig. 15-4. This greatly simplifies the synchronization between the transmitter and the receiver. The start and stop bits keep everything in synchronization byte by byte. In some applications, a parity bit is included to catch bit errors.

Figure 15-4 Data transmission is 1 byte at a time.



Notice in Fig. 5-4 that negative logic is used with binary 0 = +5 V and binary 1 = -5 V. The standard indicates that the logic levels can be any value within the ± 3 V to ± 25 V levels. Although ± 5 V is common, ± 12 V is also used. You will sometimes hear a binary 1 referred to as a Mark and a binary 0 as a Space.

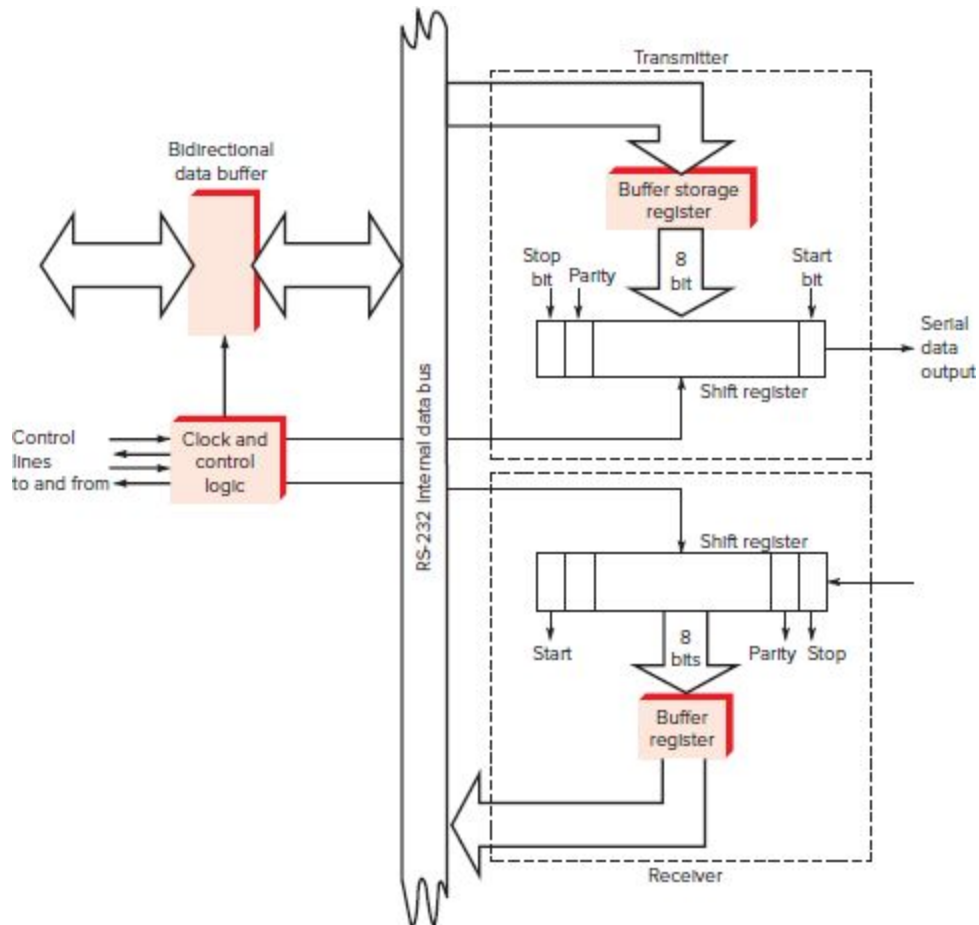
As for data rate, this interface can be used at many different speed levels. In the early days when teletypewriters were used, 75-, 110-, and 300-bps speeds were standard. Today when this interface is used, it operates at a higher data rate, such as 1200, 2400, 4800, 9600, 19200, 38400, 57600, or 115200 bps. One widely used speed with an RS-232 is 9600 bps.

The transmission medium for RS-232 is a generic multiwire cable. It can be shielded or unshielded, but length is generally restricted to 50 feet. The longer the cable the higher its distributed capacitance and inductance, both of which distort and attenuate the signal.

Because the RS-232 interface was so widely used, many companies made special integrated circuits to implement all of the related functions. This integrated circuit is generally referred to as a universal asynchronous receiver transmitter (UART). Fig. 15-5 shows a general block diagram of this IC that completely implements the RS-232 function. This

circuitry may be in an integrated circuit by itself or fully integrated within an embedded microcontroller IC.

Figure 15-5 Simplified architecture of a UART.



To transmit data, the microcontroller (not shown in the figure) sends data through a buffer register, then down the main RS-232 internal UART data bus where it is temporarily stored in another buffer storage register. When it is time to transmit, the data is loaded into a shift register that adds the start bit, the stop bit, and in some cases a parity bit. The clock operates the shift register and shifts the data out at the selected speed.

To receive data the incoming serial information is clocked into a UART shift register (lower right; Fig. 15-5). The start

and stop bits control the reception. The data is then transferred from the shift register to a buffer register and is then placed on the main IC bus. It then passes through the bidirectional data buffer and onto the attached microcontroller.

While the RS-232 is probably the oldest serial interface around, it is still used in various places. It is recommended that you familiarize yourself with this standard. The asynchronous data format that transmits 1 byte along with start and stop bits is widely used in several other interfaces and networks.

RS-485

page 523

RS-485 is another standard of the EIA as well as the ANSI. This serial interface addresses the problem of transmitting higher-speed data over longer distances and is heavily used in industry and process control environments. Because of its high data rates and range, it is also found in building automation, video surveillance installations, and industrial control systems.

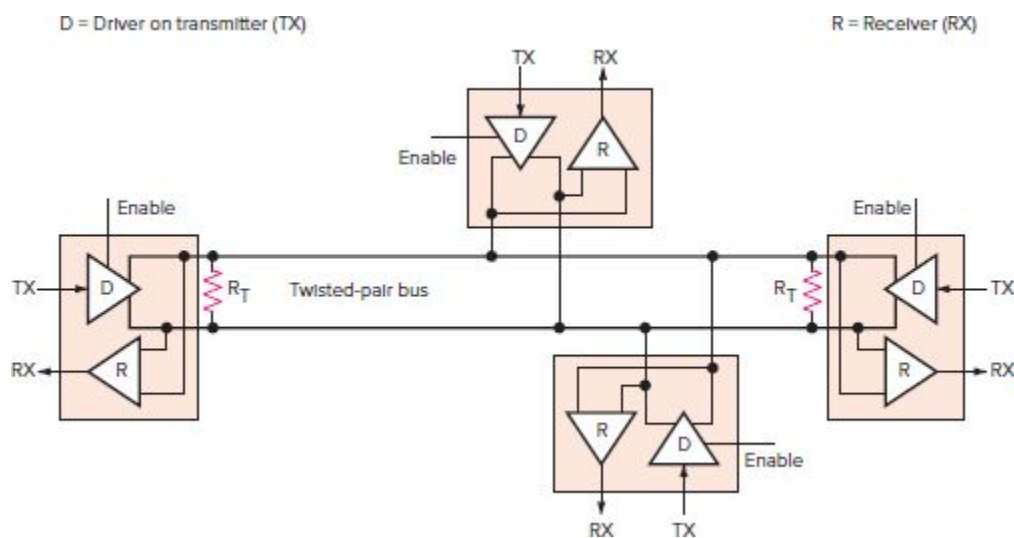
The RS-485 uses a single twisted-pair cable that can be shielded or unshielded. The connections are for a balanced cable where each line is referenced to ground. As indicated earlier, this configuration provides noise cancellation.

As for data rate, the RS-485 can use almost any desired data rate of up to about 10 Mbps. As you learned about transmission lines in Chap. 13, the greater the length of the transmission line, the higher the attenuation and the more distorted the signal becomes. To transmit 10 Mbps requires that the twisted-pair cable be no longer than about 40 ft. However, when transmitting at much lower speeds, such as 100 kbps, the cable can be as long as 4000 ft.

While the interface is often used in a simple point-to-point connection between two devices, more often it is used in a

network configuration. That means that the twisted-pair cable is considered to be a bus that carries the data to multiple nodes. This standard permits up to 32 nodes or connections to the bus. Fig. 15-6 shows the RS-485 interface used as a simple bus network. Note that each tap on the bus is connected to an integrated circuit transceiver that contains receiver (R) and transmitter (D) circuits that connect to the node computers or other devices.

Figure 15-6 RS-485 bus.



Note that the twisted-pair bus is terminated at both ends with a resistor R_T that is equal to the characteristic impedance of the line, usually in the 100- to 150- Ω range. Also, the individual node transceivers have an Enable input. This is a signal that can put the transceiver into the high-impedance state or three-state logic mode effectively disconnecting it from the bus. This minimizes the load on the bus and allows the data rate to be higher.

As for protocol, there is none generally specified, [page 524](#) which means that users of this interface can create their own data-handling protocol. However, in most cases

this interface uses the standard asynchronous UART procedure described earlier.

Controller Area Network

The controller area network (CAN) interface or bus was originally developed in Germany and has since also been sanctioned by the Society of Automotive Engineers for use in vehicles. It is a widely used standard that is certified under the International Standardization Organization (ISO-11898 and ISO-11519). Its main application is in automobiles as a networking interface for connecting a variety of electronic control units (ECUs) that operate and monitor the electric and electronic systems within vehicles (brakes, engine, etc.).

The basic transmission medium for CAN is a shielded or unshielded twisted-pair cable. It is capable of data rates of 1 Mbps, but it is also widely used at much lower speeds. A higher-speed version called CAN-Flexible Data-Rate (FD) is also available that permits data rates from 1 Mbps to about 5 Mbps.

The maximum transmission range is approximately 1000 m where the data rate can be no more than 40 kilobits per second for that range. At the higher data rates, bus length must be reduced.

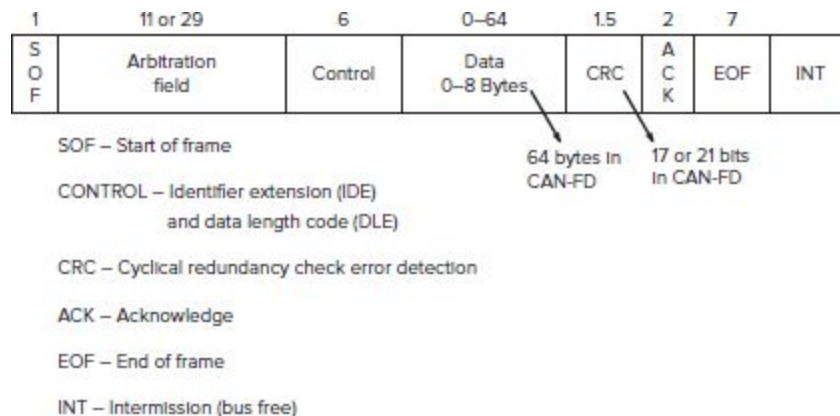
Like the RS-485, CAN is a bus that allows a connection of up to 127 different nodes. Each node has its own transceiver for putting data on the bus or taking data off the bus. Many embedded microcontrollers have the CAN bus interface fully integrated into the chip.

The CAN bus supports a very sophisticated protocol. The transmission of data is usually asynchronous in frames where the frame is divided into bytes with their own start and stop bits. A frame is a protocol feature that permits the organization of the data to be transmitted into fields of

information that control the transmission and reception of the data.

Fig. 15-7 shows a simplified version of a CAN protocol frame. The numbers above the frame are the number of bits per field. Note that the data payload can be up to 8-bytes (64-bits) long. The CAN-FD enhancement extends the number of data bytes to 64. The CAN frame includes additional fields of information including a start of frame (SOF) code, an arbitration field, a control field, a cyclic redundancy check (CRC) error detection field, an acknowledgment (ACK) field, and end-of-frame (EOF) field that signals the end of transmission. The CRC length is 15 bits in the original CAN version, but in CAN-FD the CRC can be 17 or 21 bits to improve error detection.

Figure 15-7 CAN bus protocol frame.



Many serial interfaces that you will encounter have sophisticated transmission frames such as this one. Like some other popular interfaces, the CAN interface is often integrated into a variety of embedded microcontrollers. CAN is a very popular standard and as a result it is constantly evolving as users find ways to improve it. Newer faster versions will no doubt be available in the future.

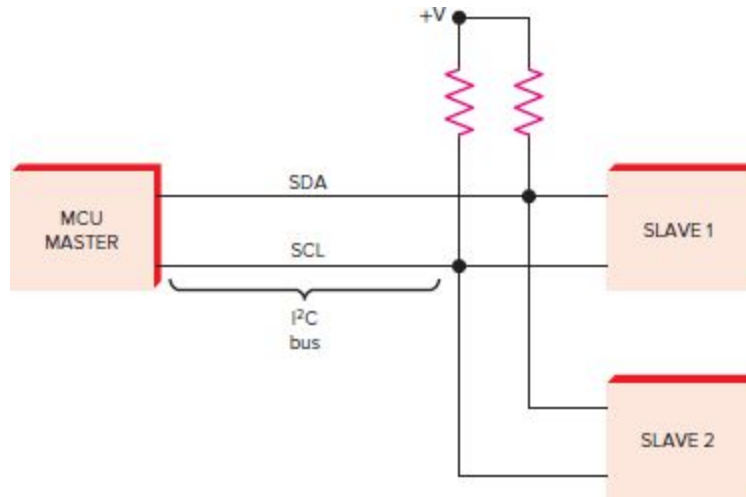
Inter-Integrated Circuit Bus

The Inter-Integrated Circuit (I²C) bus is one of the simpler interfaces but is still widely deployed in electronic equipment. It was originally developed by Phillips Semiconductor, now called NXP Semiconductor. This particular interface is used primarily as a serial connection between integrated circuits on a printed circuit board.

The primary medium for carrying the data through this interface is short copper lines on a PCB or in some cases a short four-wire shielded cable is used in some applications. Data rates are generally in the 100-kbit per second range, but rates of 400 kbps, 1 Mbps, and 3.4 Mb/s are possible.

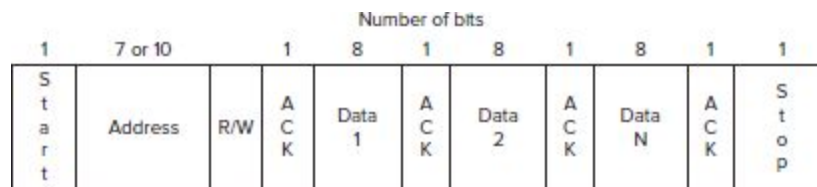
Like many other of these interfaces, I²C uses a bus configuration which can be connected with up to 30 nodes. The transmission medium is a short, unbalanced single ended wire or PCB copper trace. Fig. 15-8 shows one common connection to the I²C bus. The master, usually a microcontroller unit (MCU), controls all data transfers to the slaves. Data appears on the Serial Data (SDA) line. A clock signal Serial Clock Line (SCL) instigates the serial transfer and synchronizes the data flow. The bus itself is open so pull-up resistors to the supply voltage +V are needed on the SDA and SCL lines.

Figure 15-8 A simplified drawing of the I²C bus.



Data is transmitted in a special protocol frame page 526 shown in Fig. 15-9. The 7- or 10-bit address identifies the slave to which the master is communicating. The R/W bit indicates whether the slave reads the data or writes the data. Two fields 1-byte wide carry the data. An ACK bit indicates whether the data transfer was successful. This simplified error detection method is used in lieu of a CRC.

Figure 15-9 The I²C protocol frame.



15-4 High-Speed Serial Interfaces

Probably the most prolific high-speed serial data interface is Ethernet. It will not be covered again here as extensive coverage was given in Chap. 14. Three other popular serial data standards are summarized here. These include the low-

voltage differential signaling (LVDS) interface, serial peripheral interface (SPI), and the universal serial bus (USB).

Low Voltage Differential Signaling

The low-voltage differential signaling (LVDS) is a serial data transmission interface standardized as TIA/EIA-644. It is designed for fast data transfers over short distances of less than 10 m. Many interfaces are only a few inches long up to a few feet maximum. It not only uses unshielded twisted-pair cable in many applications but also appears as a transmission line on a PCB. The transmission medium is differential and balanced for noise cancellation. Line impedance is typically 100 Ω .

LVDS data rates can range from about 400 Mb/s to 3 Gb/s depending on the medium and its length. The voltage swing is only about 350 mV to 600 mV, again a function of line length. A key feature of LVDS is its very low power consumption. The LVDS interface is often used as a single-lane serial transmission path; however, it is also used in multiple lanes to implement parallel data transfers.

The LVDS interface is a physical layer (PHY) standard only: There is no protocol associated with it. As a result, it is used in a variety of other formal data-transfer standards. Some of those standards involve video data transfers, automotive equipment signaling, data transfers in computer LCD screens, and industrial machine vision cameras. This interface is implemented as individual LVDS IC transmitters (drivers) and receivers or may be fully integrated into some other IC.

Serial Peripheral Interface

The SPI is a widely used short-range connection designed to provide higher-speed communications between integrated

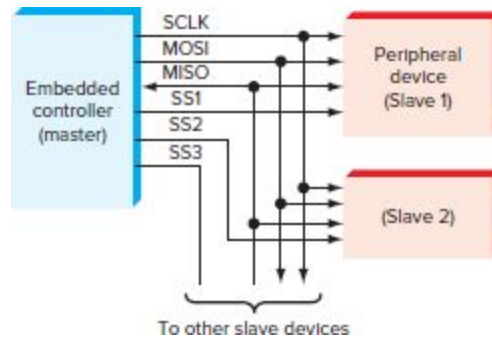
circuits on a PCB. Instead of using parallel connections that take up a lot of space on a PCB, a simpler serial interface is used. Many embedded microcontrollers have an SPI interface integrated on chip. These interfaces are used to communicate with some of the higher-speed peripheral chips including memory ICs, displays, sensors, analog-to-digital converters, digital-to-analog converters, and others. There is no national or international standard for it, but it is nevertheless widely used and fairly standard.

Some of the main features of SPI are full duplex page 527 operation, synchronous transfer of data with a separate clock, and high-speed data transfers from about 20 Mbps to 100 Mbps.

The transmission medium as indicated earlier is typically a copper pattern on a PCB or on a short piece of ribbon cable. The range is limited to approximately 1 m maximum, but in most applications, the actual length of the transmission medium is only about a foot or less.

Fig. 15-10 shows a simplified block diagram of the SPI interconnections. This example shows an embedded controller as the main communications device called the master. The master controls all communications. The master is connected to two slave peripheral devices. These slave devices are typically other integrated circuits as indicated earlier. The main point to note here is that there are more than just a few interconnections between the microcontroller and the slave devices. Serial data transfers are made over the two lines labeled MOSI and MISO. MOSI means master output to slave input and MISO means master input from slave output. Because there are two serial lines going in opposite directions, full duplex operations are possible. Note that these serial data transfers occur synchronously with a clock signal SCLK.

Figure 15-10 Serial peripheral interface.



One final point to note. The interconnections shown in Fig. 15-10, SS1 and SS2, are the slave select lines that are usually general-purpose input-output (GPIO) lines from the microcontroller that enable the slave to which data will be exchanged. There is no formal protocol defined for this interface. It is usually programmed according to its application.

Universal Serial Bus

Next to Ethernet, the USB is probably the most widely used serial interface. USB was originally developed as an all-purpose serial interface for personal computer peripheral devices such as disc drives, printers, monitors, keyboards, and other devices. It is also widely used in consumer electronics for digital and video cameras and video games. You will also find USBs used in battery chargers for cell phones and cameras. And finally, a popular application is its application of connecting to flash memory storage devices generally known as USB or thumb drives.

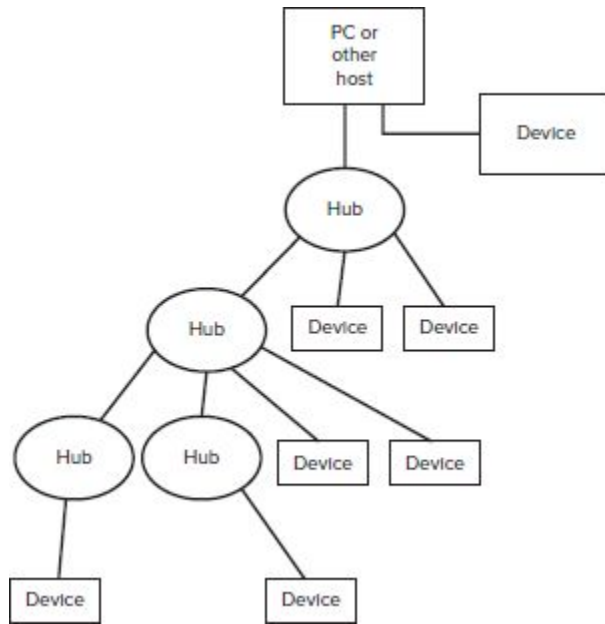
The USB interface is extremely simple. In its basic form, cable is four twisted-pair wires inside a shielded cable. One balanced pair of wires carries the data and the other two wires carry DC power of +5 volts and ground. Maximum current capability is usually 500 mA, but that varies with the manufacturer. The current capacity could be as low as 100

mA or up to several amperes. Multiple types of connectors have been specified for different applications.

As for data rate, the original version of USB was only capable of 1.5 Mbps or 12 Mbps. A faster version 2.0 allowed data transfers of 200 Mbps. Version 3 permits data rates of 10 Gbps. As for cable lengths, 5 m is typically the longest practical version. For the higher-speed versions of the bus, cable lengths should be kept to 3 m or less. Longer distances can be accommodated with repeaters and extender cables.

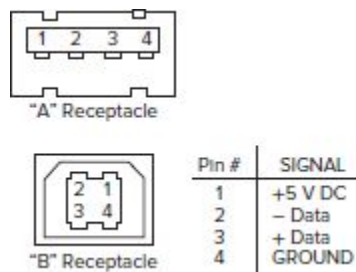
The topology of USB is a bus capable of page 528 accommodating up to 127 nodes. These can be connected to a master host controller that defines the operation of the different data transfers. Most computers and other devices have several USB ports, all of which are connected to the common bus and under the control of a master controller. Many devices can be supported using external hubs. A hub is just a common connection device that, in effect, allows all USB devices to plug into the same bus. Take a look at Fig. 15.11. Each hub can usually connect from four to eight additional devices.

Figure 15-11 Using hubs to expand the number of USB connections.



USB cables have their own unique connectors. Fig. 15-12 shows the two most popular types. Both terminate the data and power lines. The +5 V and ground lines are often used to power the device that is sending or receiving the data. There are several other connector types for other versions of the USB standard. The Micro-B USB is one of these. It terminates three twisted pairs that allow that version to achieve a maximum data rate of 3.0, 5, or 10 Gbps. The USB version 3.0 supports full duplex operation because of its multiple pairs of data-carrying wires that can transmit data in both directions at the same time.

Figure 15-12 The most common USB connections.



USB data transmission, like other serial standards, is by way of clearly defined packets that make up a transmission frame. The data packets normally contain up to 1024 bytes. The packets typically use a 16-bit CRC error detection. Full details on this interface are available at the standard's sponsor USB Implementer's Forum.

CHAPTER REVIEW

Online Activity

15-1 Investigating Other Serial Interfaces

Objectives: Become familiar with other popular serial data interfaces.

Procedure:

1. Perform an Internet search on *serial data interfaces* or a similar term.
2. Continue the searches to discover more serial standards.
3. Answer the following questions.

Questions:

1. List at least five serial interfaces not covered in this chapter.
2. Identify any serial interfaces you personally use but are not covered in this chapter. What is the purpose of each?
3. What transmission medium is used in the fastest interfaces?

4. What is the most popular interface for consumer electronic equipment?

Questions

1. Are wireless serial interfaces faster than wired interfaces?
2. What is the main reason for using serial data transfers versus parallel transfers?
3. State the difference between synchronous and asynchronous data transfers.
4. Name the two most widely used low-speed serial interfaces.
5. What is the name of the circuitry that implements the RS-232 interface?
6. What is the maximum range of a RS-485 bus and its related limitation?
7. What serial interface is widely used in automobiles?
8. Name two interfaces used for IC connections on PCBs.
9. Explain the difference between asynchronous and synchronous data transmission.
10. State the benefit of using a balanced or differential bus.
11. Define hub.
12. What is the name of the IC that connects a device to the main data bus.
13. What does a UART actually do?
14. What is the highest speed that a UART can achieve?
15. Name the most popular serial interface used in desktop and laptop computers and peripherals.
16. What is the primary application for SPI?

Problems

1. What is the main limitation of a serial interface?

2. What factors limit the range of a serial data transfer?
3. What factors limit the data rate on a serial data interface?
4. What is a *broadband* serial interface? (*Hint: Search the term.*)

Critical Thinking

1. The bit time of a serial transmission has been measured at $33.33 \mu\text{s}$. What is the data rate?
2. The data rate of a signal is 480 Mbps. What is the bit time?
3. A serial interface is faster than a parallel interface. True or false?
4. Name three types of transmission medium for serial data.

Antennas and Wave Propagation

In wireless communication systems, an RF signal generated by a transmitter is sent into free space and eventually picked up by a receiver. The interface between the transmitter and free space and between free space and the receiver is the antenna. The antenna is a transducer that converts electron flow into an electromagnetic wave and vice versa.

The incredible variety of antenna types used in radio communication are all based on a few key concepts. This chapter introduces all the most popular and widely used antennas in HF, VHF, and UHF applications. Microwave and millimeter-wave antennas are covered in Chap. 18.

Also discussed are the characteristics of free space and its ability to propagate signals over long distances. A study of wave propagation—how radio signals are affected by the earth and space in moving from transmitting antenna to receiving antenna—is critical to understanding how to ensure reliable communication over the desired distance at specific frequencies.

Objectives

After completing this chapter, you will be able to:

- Describe the characteristics of a radio wave.
- Compute the length of one-quarter wavelength and one-half wavelength antennas, given frequency of operation.
- Name the basic antenna types and give the characteristics of each.
- Explain how arrays are used to create directivity and gain.
- Describe ways in which antenna design can be modified to produce an optimal match between the impedances of a transmitter and an antenna.
- Describe the characteristics of ground waves, page 531 sky waves, and space waves.
- Compute signal strength.
- Define fading and diversity reception.

16-1 Antenna Fundamentals

Radio Waves

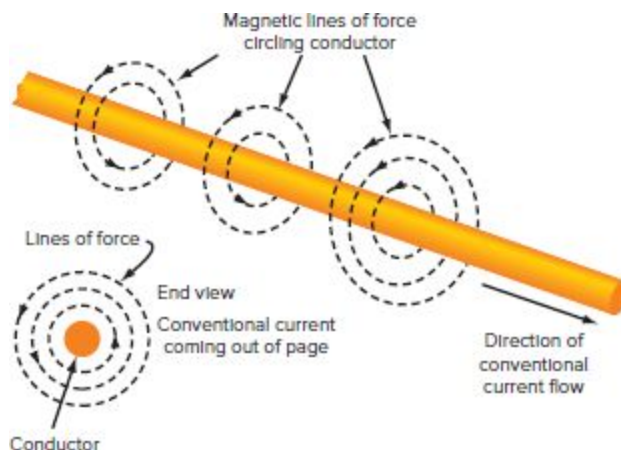
A radio signal is called an *electromagnetic wave* because it is made up of both electric and magnetic fields. Whenever voltage is applied to the antenna, an electric field is set up. At the same time, this voltage causes current to flow in the antenna, producing a magnetic field. The electric and magnetic fields are at right angles to each other. These electric and magnetic fields are emitted from the antenna and propagate through space over very long distances at the speed of light.

Electromagnetic wave

Magnetic Fields. A *magnetic field* is an invisible force field created by a magnet. An antenna is a type of electromagnet. A magnetic field is generated around a conductor when current flows through it. Fig. 16-1 shows the magnetic field, or flux, around a wire carrying a current. Although the magnetic field is a continuous force field, for calculation and measurement purposes it is represented as individual lines of force. This is how the magnetic field appears in most antennas. The strength and direction of the magnetic field depend on the magnitude and direction of the current flow.

Magnetic field

Figure 16-1 Magnetic field around a current-carrying conductor. Magnetic field strength H in ampere-turns per meter = $H = I / (2\pi d)$.



The strength of a magnetic field H produced by a page 532 wire antenna is expressed by

$$H = \frac{I}{2\pi d}$$

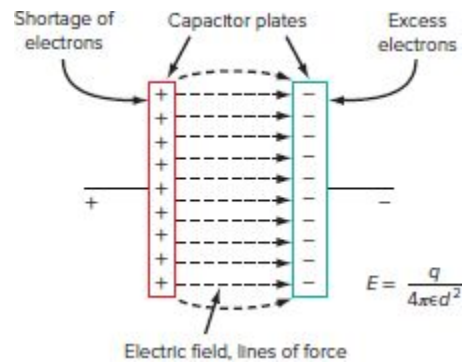
where I = current, A
 d = distance from wire, m

The SI unit for magnetic field strength is ampere-turns per meter.

Electric Field. An *electric field* is also an invisible force field produced by the presence of a potential difference between two conductors. A common example in electronics is the electric field produced between the plates of a charged capacitor (Fig. 16-2). Of course, an electric field exists between any two points across which a potential difference exists.

Electric field

Figure 16-2 Electric field across the plates of a capacitor.



The strength of an electric field E is expressed by

$$E = \frac{q}{4\pi\epsilon d^2}$$

where q = charge between the two points, C
 ϵ = permittivity
 d = distance between conductors, m

The SI unit for electric field strength is volts per meter.

Permittivity is the dielectric constant of the material between the two conductors. The dielectric is usually air or free space, which has an ϵ value of approximately $8.85 \times 10^{-12} \epsilon_r$, where ϵ_r is the dielectric constant of the medium.

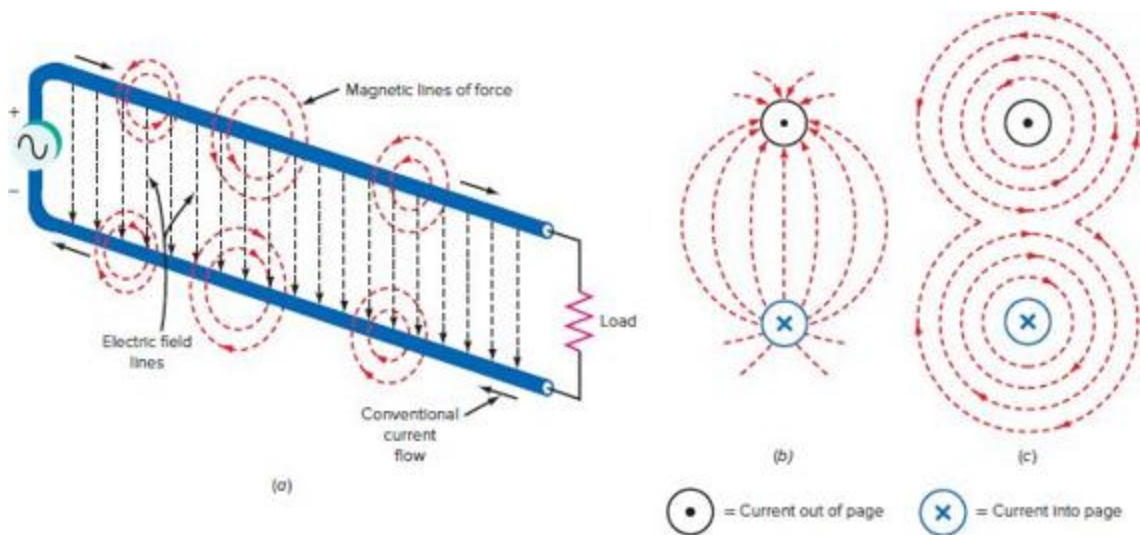
Permittivity

Magnetic and Electric Fields in a Transmission Line.

Fig. 16-3(a) shows the electric and magnetic fields around a two-wire transmission line. Note that at any given time, the

wires have opposite polarities. During one-half cycle of the ac input, one wire is positive and the other is negative. During the negative half-cycle, the polarity reverses. This means that the direction of the electric field between the wires reverses once per cycle. Fig. 16-3(b) is a detail of an electric field around conductors.

Figure 16-3 (a) Magnetic and electric fields around a transmission line. (b) Electric field. (c) Magnetic fields.



Note also that the direction of current flow in one page 533 wire is always opposite that in the other wire. Therefore, the magnetic fields combine, as shown in Fig. 16-3(c). The magnetic field lines aid one another directly between the conductors, but as the lines of force spread out, the direction of the magnetic field from one conductor is opposite that of the other conductor, so the fields tend to cancel one another. The cancellation is not complete, but the resulting magnetic field strength is extremely small. Although the magnetic and electric fields are shown separately in Fig. 16-3(b) and (c) for clarity, remember that they occur simultaneously and at right angles to one another.

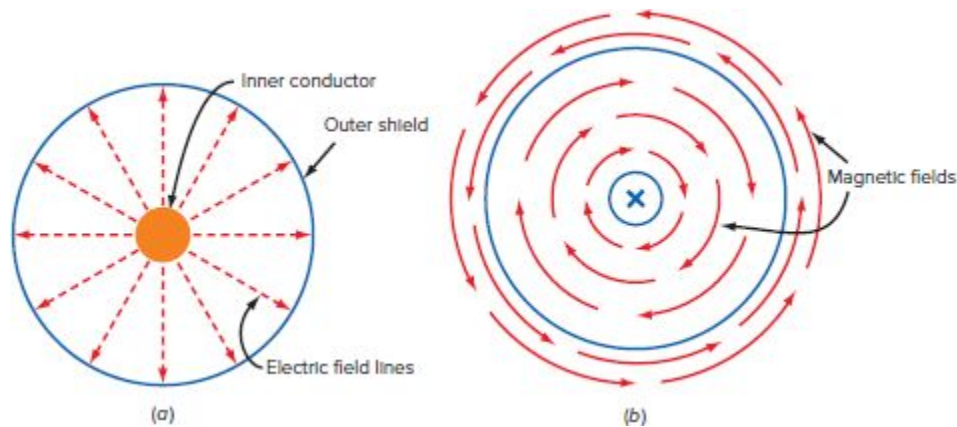
A transmission line, like an antenna, is made up of a conductor or conductors. However, transmission lines, unlike antennas, do not radiate radio signals efficiently. The configuration of the conductors in a transmission line is such that the electric and magnetic fields are contained. The closeness of the conductors keeps the electric field primarily concentrated in the transmission line dielectric. The magnetic fields mostly cancel one another. The electric and magnetic fields do extend outward from the transmission line, but the small amount of radiation that does occur is extremely inefficient.

GOOD TO KNOW

To determine the direction of the magnetic field in a conductor, remember to use the left-hand rule. Hold your left thumb in the direction of electron flow (toward the positive) and point your left fingers in the direction of the magnetic field lines.

Fig. 16-4(a) shows the electric fields associated with a coaxial cable, and Fig. 16-4(b) shows the magnetic fields associated with a coaxial cable. The electric field lines are fully contained by the outer shield of the cable, so none are radiated. The direction of the electric field lines reverses once per cycle.

Figure 16-4 Electric and magnetic fields in a coaxial cable (cross-sectional end view). (a) Electric field. (b) Magnetic fields.



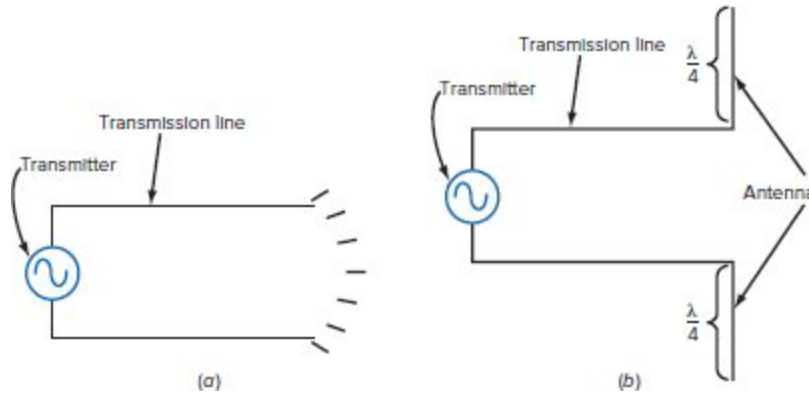
The magnetic field around the center conductor passes through the outer shield. However, note that the magnetic field produced by the outer conductor is in the opposite direction of the field produced by the inner conductor. Because the amplitude of the current in both conductors is the same, the magnetic field strengths are equal. The inner and outer magnetic fields cancel one another, and so a coaxial cable does not radiate any electromagnetic energy. That is why coaxial cable is the preferred transmission line for most applications.

Antenna Operation

As stated above, an antenna acts as the interface between a transmitter or receiver and free space. It either radiates or senses an electromagnetic field. But the question is, What exactly is an antenna, and what is the relationship between an antenna and a transmission line? Furthermore, how are the electric and magnetic fields produced?

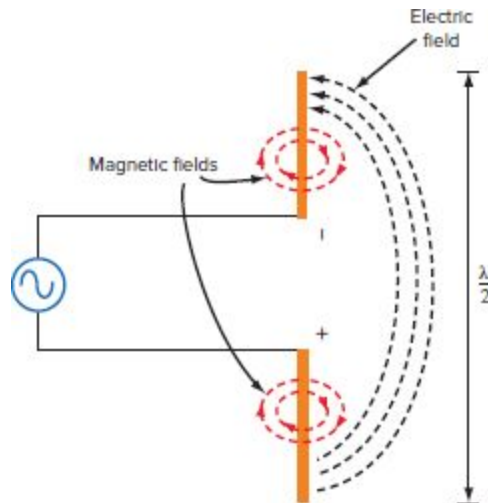
The Nature of an Antenna. If a parallel-wire transmission line is left open, the electric and magnetic fields escape from the end of the line and radiate into space [Fig. 16-5(a)]. This radiation, however, is inefficient and unsuitable for reliable transmission or reception.

Figure 16-5 Converting a transmission line into an antenna. (a) An open transmission line radiates a little. (b) Bending the open transmission line at right angles creates an efficient radiation pattern.



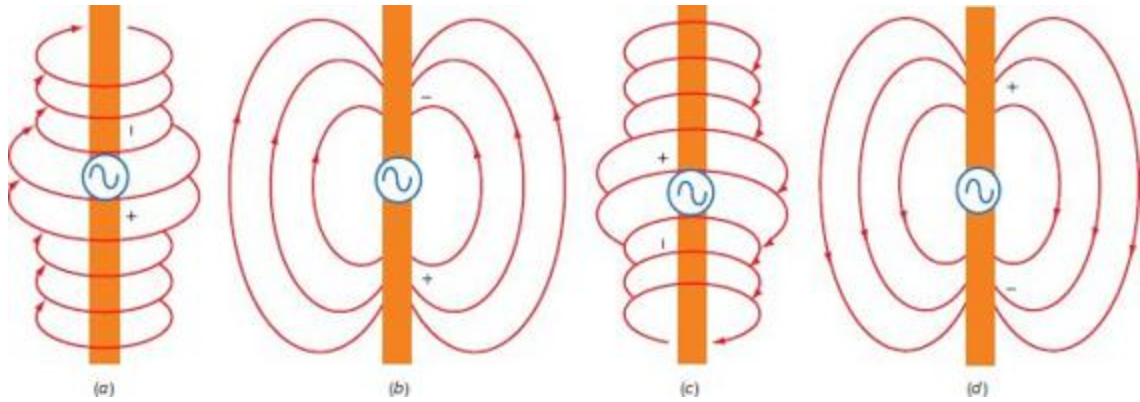
The radiation from a transmission line can be greatly improved by bending the transmission line conductors so that they are at a right angle to the transmission line, as shown in Fig. 16-5(b). The magnetic fields no longer cancel and, in fact, aid one another. The electric field spreads out from conductor to conductor (Fig. 16-6). The result is an antenna. Optimum radiation occurs if each segment of transmission wire converted to an antenna is one-quarter wavelength long at the operating frequency. This makes an antenna that is one-half wavelength long.

Figure 16-6 The electric and magnetic fields around the transmission line conductors when an antenna is formed.



An antenna, then, is a conductor or pair of conductors to which is applied the ac voltage at the desired frequency. In Fig. 16-5, the antenna is connected to the transmitter by the transmission line that was used to form the antenna. In most practical applications, the antenna is remote from the transmitter and the receiver, and a transmission line is used to transfer the energy between antenna and transmitter or receiver. It is sometimes useful, however, to analyze an antenna as if the conductors were connected directly to the generator or transmitter, as in Fig. 16-7. The voltage creates an electric field and the current creates a magnetic field. Fig. 16-7(a) shows the magnetic field for one polarity of the generator, and Fig. 16-7(b) shows the accompanying electric field. Fig. 16-7(c) and (d) shows the magnetic and electric fields, respectively, for the opposite polarity of the generator.

Figure 16-7 Electric and magnetic fields around an antenna.



The magnetic fields vary in accordance with the applied signal from the generator, which is usually a modulated sine wave carrier. The sinusoidal electric field changing over time is similar to a current that causes the generation of the sinusoidal magnetic field. A sinusoidally varying magnetic field produces an electric field. Thus the two fields support and sustain each other. The ratio of the electric field strength of a radiated wave to the magnetic field strength is a constant. It is called the *impedance of space*, or the *wave impedance*, and is 377Ω . The resulting fields are radiated into space at the speed of light (3×10^8 m/s or 186,400 mi/s).

Impedance of space

Wave impedance

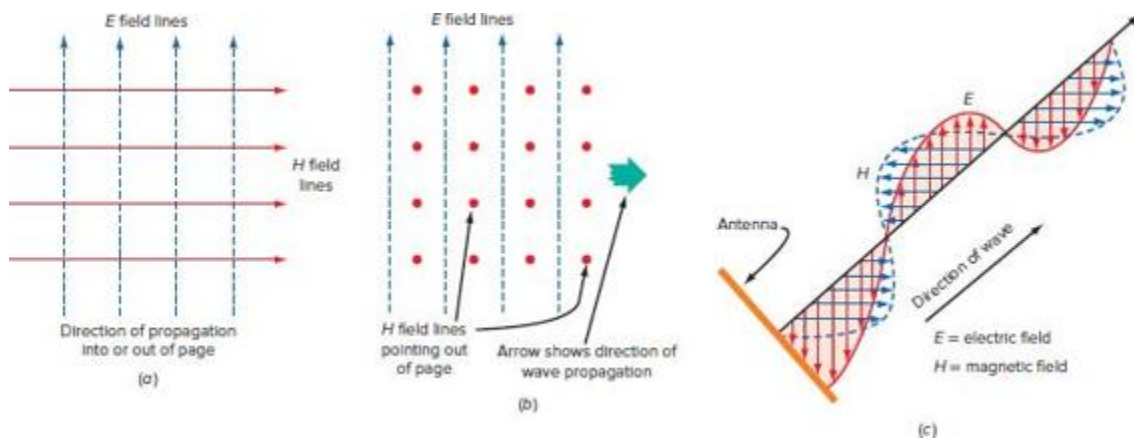
The antenna that is radiating electromagnetic energy appears to the generator as an ideally resistive electrical load so that the applied power is consumed as radiated energy. In addition to the resistive component, an antenna can have a reactive component. The resistive component is called the *antenna radiation resistance*. This resistance does not dissipate power in the form of heat, as in electronic circuits. Instead, the power is dissipated as radiated electromagnetic energy.

Antenna radiation resistance

Electromagnetic field

The Electromagnetic Field. The electric and magnetic fields produced by the antenna are at right angles to each other, and both are perpendicular to the direction of propagation of the wave. This is illustrated in several ways in Fig. 16-8. Fig. 16-8(a) shows the basic right-angle relationship. Now, assume that you are looking at a small area of the space around an antenna and that the signal is moving either directly out of the page toward you or into the page away from you. Fig. 16-8(b) is a view of the field lines in Fig. 16-8(a), but the perspective is shifted 90° so that you are getting an edge view. Fig. 16-8(c) shows the variation in strength of the electric and magnetic fields as they move outward from the antenna. Note that the amplitude and direction of the magnetic and electric fields vary in a sinusoidal manner, depending upon the frequency of the signal being radiated.

Figure 16-8 Viewing the electromagnetic wave emitted by an antenna.



Near Field and Far Field. Antennas actually produce two sets of fields, the near field and the far field. The *near field* describes the region directly around the antenna where the electric and magnetic fields are distinct. These fields are not the radio wave, but they do indeed contain any information transmitted. These fields weaken with the distance from the antenna, approximately by the quadruple power of the

distance. The near field is also referred to as the Fresnel zone.

Near field

The *far field* that is approximately 10 wavelengths from the antenna is the radio wave with the composite electric and magnetic fields. For example, at 2.4 GHz, one wavelength is $984/2400 = 0.41$ feet. The far field is 10 times that, or 4.1 ft or beyond. Inside that 4.1 ft lies the near field. The combined fields actually detach themselves from the antenna and radiate into space as previously described. Its strength also diminishes with distance but only at the square of the distance. The far field is also called the Fraunhofer zone.

Far field

Most wireless applications use the far field wave. page 536
And any antenna radiation patterns are valid only if measurements are taken on the far field. The near field is rarely used, but applications such as *radio-frequency identification (RFID)* and near field communication (NFC) make use of the near field. Some cell phone manufacturers also build in a short-range near field radio for applications such as wireless building access, ticket purchases, purchases in lieu of a credit card, or automotive functions.

Radio-frequency identification (RFID)

Polarization. *Polarization* refers to the orientation of magnetic and electric fields with respect to the earth. If an electric field is parallel to the earth, the electromagnetic wave is said to be *horizontally polarized*; if the electric field is perpendicular to the earth, the wave is *vertically polarized*. Antennas that are horizontal to the earth produce horizontal polarization, and antennas that are vertical to the earth produce vertical polarization.

Polarization

Horizontally polarized

Vertically polarized

Some antennas produce *circular polarization*, in which the electric and magnetic fields rotate as they leave the antenna. There can be *right-hand circular polarization (RHCP)* and *left-hand circular polarization (LHCP)*; the type depends on the direction of rotation as the signal leaves the antenna. An electric field can be visualized as rotating as if the antenna were connected to a large fan blade. The electric field and the accompanying magnetic field rotate at the frequency of the transmitter, with one full rotation occurring in one cycle of the wave. Looking from the transmitter to the distant receiver, RHCP gives a clockwise rotation to the electric field and LHCP gives a counterclockwise rotation.

Circular polarization

Right-hand circular polarization (RHCP)

Left-hand circular polarization (LHCP)

For optimal transmission and reception, the transmitting and receiving antennas must both be of the same polarization. Theoretically, a vertically polarized wave will produce 0 V in a horizontal antenna and vice versa. But during transmission over long distances, the polarization of waves changes slightly because of the various propagation effects in free space. Thus even when the polarization of the transmitting and receiving antennas is not matched, a signal is usually received.

GOOD TO KNOW

When circular polarization is used at both transmitter and receiver, the transmitter and receiver must both use either left- or right-hand polarization if the signal is to be received.

A vertical or horizontal antenna can receive circular polarized signals, but the signal strength is reduced. When circular polarization is used at both transmitter and receiver, both must use either left- or right-hand polarization if the signal is to be received.

MAXWELL'S EQUATIONS

A radio wave is an electromagnetic wave, i.e., one made up of both an electric field and a magnetic field. In your earlier electronic studies, you learned that a magnetic field is created when electrons flow through a conductor. You also learned that an electric field exists between two oppositely charged bodies. The big question is, How do these two fields get together to form a radio wave, and specifically how are they propagated through space?

In the 1870s, Scottish physicist James Clerk Maxwell wrote a book predicting the existence of electromagnetic waves. Using the basic electrical theories of Faraday, Ohm, Ampère, and other electrical researchers at the time, he postulated that a rapidly changing field of one type would produce the other type of field and vice versa over time. Since one type of field produces the other, the two coexist in a self-sustaining relationship. Maxwell's equations express this relationship mathematically.

Later, in the 1880s, German physicist Heinrich Hertz proved Maxwell's theories by generating radio waves, radiating and manipulating them, and detecting them at a distance. Thus the "wireless" or radio was discovered.

Maxwell defined four basic mathematical relationships between the strength and densities of the electric and magnetic fields as they vary over time. These relationships involve partial differential equations and are, therefore, beyond the scope of this text. However, Maxwell's equations are regularly taught as part of most electrical engineering degree curricula.

Maxwell's equations tell us that an electric field changing with time acts as charges in motion or current flow that, in turn, set up a magnetic field. As the magnetic field changes over time, it sets up an electric field. The electric and magnetic fields interact with each other and sustain each other as they propagate through space at the speed of light. This explains how the electromagnetic wave can exist and move through space after it leaves the antenna or other component or apparatus that initially generates it.

Antenna Reciprocity

The term *antenna reciprocity* means that the characteristics and performance of an antenna are the same whether the antenna is radiating or intercepting an electromagnetic signal. A transmitting antenna takes a voltage from the transmitter and converts it to an electromagnetic signal. A receiving antenna has a voltage induced into it by the electromagnetic signal that passes across it. The voltage is then connected to the receiver. In both cases, the properties of the antenna — gain, directivity, frequency of operation, etc.—are the same. However, an antenna used for transmitting high power, such as in a radio or TV broadcast station, must be constructed of materials that can withstand the high voltages and currents involved. A receiving antenna, no matter what the design, can be made of wire. But a transmitting antenna for high-power applications might, e.g., be designed in the same way but be made of larger, heavier material, such as metal tubing.

Antenna reciprocity

GOOD TO KNOW

An antenna can transmit and receive at the same time only if a device such as a diplexer is used to keep the transmitter energy out of the receiver.

In most communication systems, the same antenna is used for both transmitting and receiving, and these events can occur at different times or can be simultaneous. An antenna can transmit and receive at the same time as long as some means is provided for keeping the transmitter energy out of the front end of the receiver. A device called a *diplexer* is used for this purpose.

Diplexer

The Basic Antenna

An antenna can be a length of wire, a metal rod, or a piece of tubing. Many different sizes and shapes are used. The length of the conductor is dependent on the frequency of operation. Antennas radiate most effectively when their length is directly related to the wavelength of the transmitted signal. Most antennas have a length that is some fraction of a wavelength. One-half and one-quarter wavelengths are most common.

An important criterion for radiation is that the page 538 length of the conductor be approximately one-half or one-quarter wavelength of the ac signal. A 60-Hz sine wave signal has a wavelength of $\lambda = 300,000,000/60 = 5,000,000$ m. Since $1 \text{ mi} \approx 1609.34$ m, one wavelength of a 60-Hz signal is about $5,000,000/1609.34 = 3106.86$ mi. One-half wavelength is 1553.43 mi. Very little radiation of an electromagnetic field occurs if antenna wires are less than this length.

The same is true of wires carrying audio signals. A 3-kHz audio signal has a wave-length of $300,000,000/3000 = 100,000$ m or 62.14 mi. This wavelength is so long compared to the length of the wire normally carrying such signals that little radiation occurs.

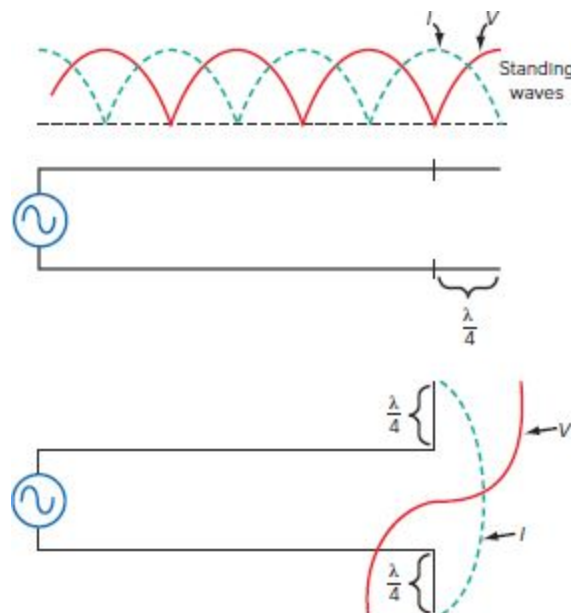
However, as frequency is increased, wavelength decreases. At frequencies from about 1 MHz up to 100 GHz, the wavelength is within the range of practical conductors and wires. It is within this range that long-distance radiation occurs. For example, a 300-MHz UHF signal has a wavelength of 1 m, a very practical length.

The other factor that determines how much energy is radiated is the arrangement of the conductors carrying the signal. If they are in the form of a cable such as a transmission line with a generator at one end and a load at the other, as shown in Fig. 16-3, very little radiation occurs at any frequency.

As seen in Figs. 16-5 and 16-6, an open transmission line can be made into an antenna simply by bending the

conductors out at a right angle with the transmission line. This concept is illustrated again in Fig. 16-9. Such a line has a standing wave such that the voltage is maximum at the end of the line and the current is minimum. One-quarter wave back from the open end are a voltage minimum and a current maximum, as shown in the figure. By bending the conductors at a right angle to the transmission line at the quarter-wave point, an antenna is formed. The total length of the antenna is one-half wavelength at the frequency of operation. Note the distribution of the voltage and current standing waves on the antenna. At the center, the voltage is minimum and the current is maximum.

Figure 16-9 Standing waves on an open transmission line and an antenna.



16-2 Common Antenna Types

All the most common types of antennas used in the communication industry are based on a basic dipole, and

most are some modified form of the one-half wavelength dipole discussed in the last section.

Dipole antenna

The Dipole Antenna

One of the most widely used antenna types is the half-wave dipole shown in Fig. 16-10. This antenna is also formally known as the *Hertz antenna* after Heinrich Hertz, who first demonstrated the existence of electromagnetic waves. Also called a *doublet*, a dipole antenna is two pieces of wire, rod, or tubing that are one-quarter wavelength long at the operating resonant frequency. Wire dipoles are supported with glass, ceramic, or plastic insulators at the ends and middle, as shown in Fig. 16-11. Self-supporting dipoles are made from a stiff metal rod or tubing.

Hertz antenna

Doublet

Figure 16-10 The dipole antenna.

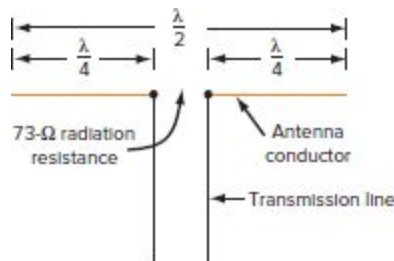
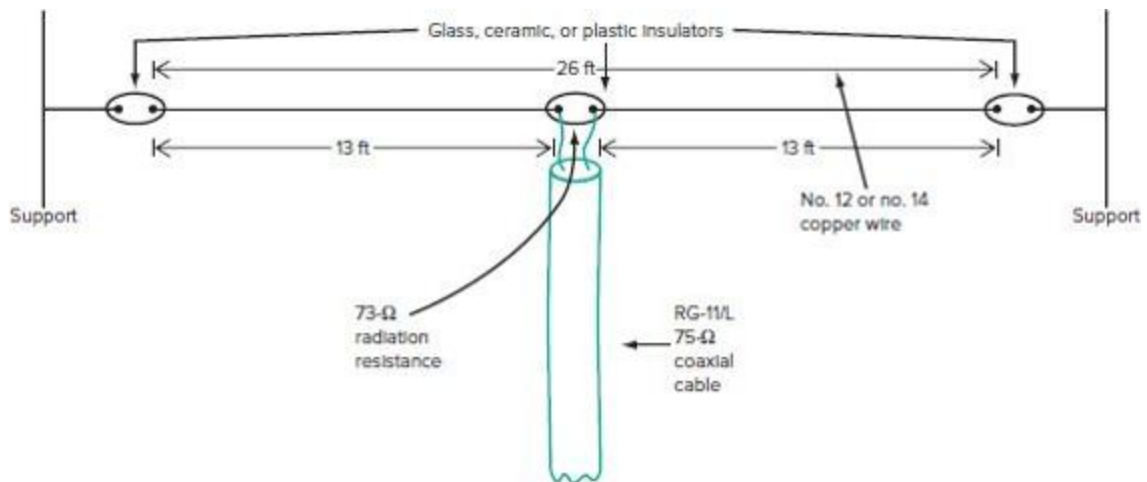


Figure 16-11 A half-wave dipole of 18 MHz.



Radiation Resistance. The transmission line is connected at the center. The dipole has an impedance of $73\ \Omega$ at its center, which is the *radiation resistance*. At the resonant frequency, the antenna appears to be a pure resistance of $73\ \Omega$. For maximum power transfer, it is important that the impedance of the transmission line match the load. A $73\ \Omega$ coaxial cable like RG-59/U is a perfect transmission line for a dipole antenna. RG-11/U coaxial cable with an impedance of $75\ \Omega$ also provides an excellent match. When the radiation resistance of the antenna matches the characteristic impedance of the transmission line, the SWR is minimum and maximum power reaches the antenna.

Radiation resistance

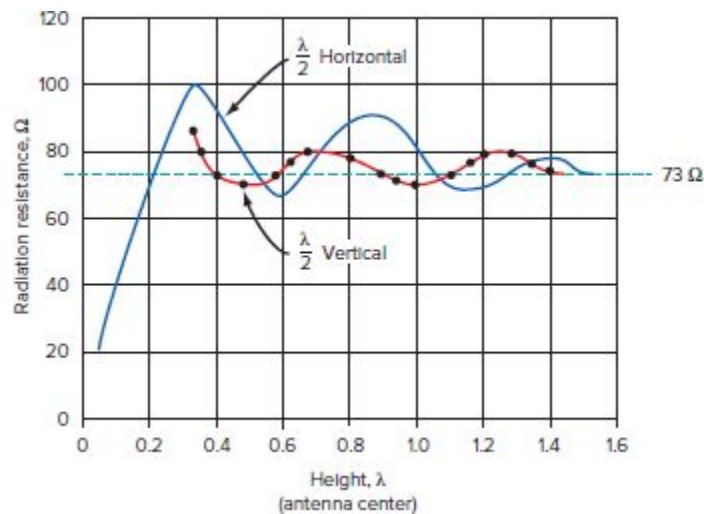
The radiation resistance of the dipole is ideally $73\ \Omega$ when the conductor is infinitely thin and the antenna is in free space. Its actual impedance varies depending on the conductor thickness, the ratio of diameter to length, and the proximity of the dipole to other objects, especially the earth.

As the conductor thickness increases with respect page 540 to the length of the antenna, the radiation resistance decreases. A typical length-to-diameter ratio is about 10,000 for a wire antenna, for a radiation resistance of about $65\ \Omega$ instead of $73\ \Omega$. The resistance drops gradually as

the diameter increases. With a large tubing conductor, the resistance can drop to as low as $55\ \Omega$.

The graph in Fig. 16-12 shows how radiation resistance is affected by the height of a dipole above the ground. Curves for both horizontally and vertically mounted antennas are given. The resistance varies above and below an average of about $73\ \Omega$, depending on height in wavelengths. The higher the antenna, the less effect the earth and surrounding objects have on it, and the closer the radiation resistance is to the theoretical ideal. Given that radiation resistance is affected by several factors, it often varies from $73\ \Omega$. Nevertheless, a $75\text{-}\Omega$ coaxial cable provides a good match, as does $50\text{-}\Omega$ cable at lower heights with thicker conductors.

Figure 16-12 The effect of dipole height above ground on radiation resistance.



Dipole Length. An antenna is a frequency-sensitive device. In Chap. 13, you learned that the formula $\lambda = 984/f$ can be used to calculate one wavelength at a specific frequency, and $\lambda = 492/f$ can thus be used to calculate one-half wavelength. For example, one-half wavelength at 122 MHz is $492/122 = 4.033$ ft.

As it turns out, to get the dipole to resonate at the frequency of operation, the physical length must be

somewhat shorter than the one-half wavelength computed with the expression given above, since actual length is related to the ratio of length to diameter, conductor shape, Q , the dielectric (when the material is other than air), and a condition known as end effect. *End effect* is a phenomenon caused by any support insulators used at the ends of the wire antenna and has the effect of adding a capacitance to the end of each wire. At frequencies up to about 30 MHz, end effect shortens the antenna by about 5 percent. Thus the actual antenna length is only about 95 percent of the computed length. The formula must be modified as follows:

End effect

$$L = \frac{492 \times 0.95}{f} = \frac{468}{f}$$

where L = length of half-wave dipole antenna.

For half-wave dipole wire antennas used below 30 MHz, the formula $L = 468/f$ provides a ballpark figure, so to speak. Minor adjustments in length can then be made to fine-tune the antenna to the center of the desired frequency range.

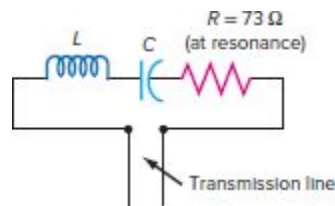
For example, an antenna for a frequency of 27 MHz would have a length of $468/27 = 17.333$ ft. To create a half-wave dipole, two 8.666-ft lengths of wire would be cut, probably 12- or 14-gauge copper wire. Physically, the antenna would be suspended between two points as high as possible off the ground (see Fig. 16-11). The wire conductors themselves would be connected to glass or ceramic insulators at each end and in the middle to provide good insulation between the antenna and its supports. The transmission line would be attached to the two conductors at the center insulator. The transmission line should leave the antenna at a right angle so that it does not interfere with the antenna's radiation.

At frequencies above 30 MHz, the conductor is [page 541](#) usually thicker because thicker rods or tubing, rather than wire, is used. Using thicker materials also shortens the length by a factor of about 2 or 3 percent. Assuming a shortening factor of 3 percent, one-half wavelength would be $492 \times 0.97/f$.

Antenna resonance

Antenna Resonance. Because the antenna is one-half wavelength at only one frequency, it acts as a resonant circuit. To the generator, the antenna looks like a series resonant circuit (see Fig. 16-13). The inductance represents the magnetic field, and the capacitance represents the electric field. The resistance is the radiation resistance. As always, this resistance varies depending on antenna conductor thickness and height.

Figure 16-13 The equivalent circuit of a dipole.



If the signal applied to the antenna is such that [page 542](#) the antenna is exactly one-half wavelength long, the equivalent circuit will be resonant and the inductive reactance will cancel the capacitive reactance. Only the effect of the radiation resistance will be present, and the signal will radiate.

GOOD TO KNOW

If a dipole is used at a frequency different from its design frequency, the SWR rises and power is lost, because the antenna impedance no longer matches the transmission line impedance.

If the frequency of operation and the antenna length do not match, the equivalent circuit will not be resonant. Instead, like any resonant circuit, it will have a complex impedance made up of resistive and reactive components. If the frequency of operation is too low, the antenna will be too short and the equivalent impedance will be capacitive because the capacitive reactance is higher at the lower frequency. If the frequency of operation is too high, the antenna will be too long and the equivalent impedance will be inductive because the inductive reactance is higher at the higher frequency.

If the dipole is used at a frequency different from its design frequency, the antenna impedance no longer matches the transmission line impedance, so the SWR rises and power is lost. However, if the frequency of operation is close to that for which the antenna was designed, the mismatch will not be great and the antenna will work satisfactorily despite the higher SWR.

Antenna Q

Antenna bandwidth

Antenna Q and Bandwidth. The *bandwidth* of an *antenna* is determined by the frequency of operation and the Q of the antenna according to the familiar relationship $BW = f/Q$. Although it is difficult to calculate the exact Q for an antenna, as the above relationship shows, the higher the Q , the narrower the bandwidth BW . Lowering Q widens bandwidth. In resonant circuits a high Q (>10) is usually desirable, because it makes the circuit more selective. For an antenna, low Q , and hence wider bandwidth, is desirable so that the antenna can operate over a wider range of frequencies with reasonable SWR. As a rule of thumb, any SWR below 2:1 is considered good in practical antenna work. Modern communication transceivers rarely operate at just one frequency; typically they operate on a selected

channel inside a broader band of frequencies. Furthermore, the transmitter is modulated, so there are sidebands. If the antenna has too high a Q and its bandwidth is too narrow, the SWR will be higher than 2:1 and sideband clipping can occur.

The Q and thus the bandwidth of an antenna are determined primarily by the ratio of the length of the conductor to the diameter of the conductor. When thin wire is used as the conductor, this ratio is very high, usually in the 10,000 to 30,000 range, resulting in high Q and narrow bandwidth. A length-to-diameter ratio of 25,000 results in a Q of about 14.

If the antenna conductors are made of larger-diameter wire or tubing, the length-to-diameter ratio and Q decrease, resulting in a wider bandwidth. A ratio of 1200 results in a Q of about 8.

When larger-diameter conductors are used to construct an antenna, the larger plate area causes the inductance of the conductor to decrease and the capacitance to increase. The L/C ratio is reduced for a given resonant frequency. Lowering L lowers the inductive reactance, which directly affects Q . Since $Q = X_L/R$ and $BW = f_r/Q$, lowering X_L reduces Q and increases bandwidth.

At UHF and microwave frequencies, antennas are typically made of short, fat conductors, such as tubing. It is not uncommon to see conductors with diameters as large as 0.5 in. The result is wider bandwidth.

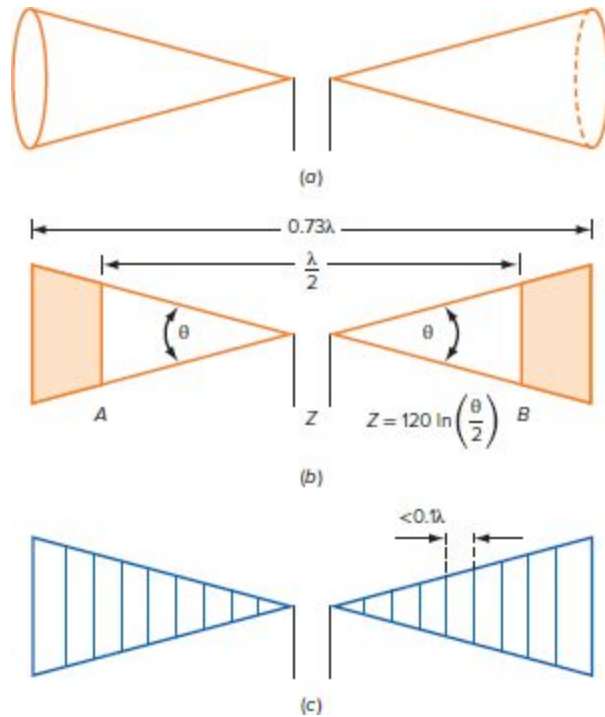
Bandwidth is sometimes expressed as a percentage of the resonant frequency of the antenna. A small percentage means a higher Q , and a narrower bandwidth means a lower percentage. A typical wire antenna has a bandwidth in the range of 3 to 6 percent of the resonant frequency. If thicker conductors are used, this percentage can be increased to the 7 to 10 percent range, which gives lower Q and wider bandwidth.

For example, if the bandwidth of a 24-MHz dipole antenna is given as 4 percent, the bandwidth can be calculated as $0.04 \times 24 = 0.96$ MHz (960 kHz). The operating range of this antenna, then, is the 960-kHz bandwidth centered on 24 MHz. This gives upper and lower frequency limits of 24 MHz ± 480 kHz or one-half the bandwidth. The operating range is 23.52 to 24.48 MHz, where the antenna is still close to resonance.

The Q and bandwidth of an antenna are also affected by other factors. In array-type antennas with many conductors, Q is affected by the number of conductors used and their spacing to the dipole. These antennas usually have high Q 's and, thus, narrow bandwidths, and so off-frequency operation produces greater changes in SWR than it does with lower- Q antennas.

Conical Antennas. Another common way to increase bandwidth is to use a version of the dipole antenna known as the *conical antenna* [Fig. 16-14(a)]. Fig. 16-14(b) shows a flat, broadside view of a conical antenna. The overall length of the antenna is 0.73λ or $0.73(984)/f = 718.32/f$. This is longer than the traditional one-half wavelength of a dipole antenna, but the physical shape changes the necessary dimensions for resonance. The cones are shaped such that the shaded area is equal to the unshaded area. When this is done, the distance between the boundaries marked by A and B in Fig. 16-14(b) is one-half wavelength, less about 5 percent, or approximately $468/f$, where f is in megahertz.

Figure 16-14 The conical dipole and its variation. (a) Conical antenna. (b) Broadside view of conical dipole antenna (bow tie antenna) showing dimensions. (c) Open-grill bow tie antenna.



Conical antenna

The center radiation resistance of a conical antenna is much higher than the $73\ \Omega$ usually found when straight-wire or tubing conductors are used. This center impedance is given by $Z = 120 \ln(\theta/2)$, where Z is the center radiation resistance at resonance and θ is the angle associated with the cone [see Fig. 16-14(b)]. For an angle of 30° , the center impedance is thus $Z = 120 \ln(30/2) = 120 \ln 15 = 120(2.7) = 325\ \Omega$. This is a reasonably good match to $300\text{-}\Omega$ twin-lead transmission line.

To use coaxial cable, which is usually desirable, some kind of impedance-matching network is needed to transform the high center impedance to the 50 or $75\ \Omega$ characteristic of most coaxial cables.

Bow tie antenna

Cones are difficult to make and expensive, and a popular and equally effective variation of the conical antenna is the *bow tie antenna*. A two-dimensional cone is a triangle; therefore, a flat version of the conical antenna looks like two triangles or a bow tie. One bow tie version of the conical

antenna in Fig. 16-14(b) would have the same shape and dimensions, but it would be made of flat aluminum. Bow tie antennas can also be made of a grillwork of conductors, instead of a flat plate, as shown in Fig. 16-14(c); this configuration reduces wind resistance. If the spacing between the conductors is made less than 0.1 wavelength at the highest operating frequency, the antenna appears to be a solid conductor to the transmitter or receiver.

GOOD TO KNOW

Most half-wave dipole antennas are mounted horizontally at low frequencies because the physical construction, mounting, and support are easier.

The primary advantage of conical antennas is [page 543](#) their tremendous bandwidth: they can maintain a constant impedance and gain over a 4:1 frequency range. The length of the antenna is computed by using the center frequency of the range to be covered. For example, an antenna to cover the 4:1 range at 250 MHz to 1 GHz (1000 MHz) would be cut for a center frequency of $(1000 + 250)/2 = 1250/2 = 625$ MHz.

Dipole Polarization. Most half-wave dipole antennas are mounted horizontally to the earth. This makes the electric field horizontal to the earth; therefore, the antenna is horizontally polarized. Horizontal mounting is preferred at the lower frequencies (<30 MHz) because the physical construction, mounting, and support are easier. This type of mounting also makes it easier to attach the transmission line and route it to the transmitter or receiver.

A dipole antenna can also be mounted vertically, in which case the electric field will be perpendicular to the earth, making the polarization vertical. Vertical mounting is common at the higher frequencies (VHF and UHF), where

the antennas are shorter and made of self-supporting tubing.

Radiation Pattern and Directivity. The *radiation pattern* of any antenna is the shape of the electromagnetic energy radiated from or received by that antenna. Most antennas have directional characteristics that cause them to radiate or receive energy in a specific direction. Typically that radiation is concentrated in a pattern that has a recognizable geometric shape.

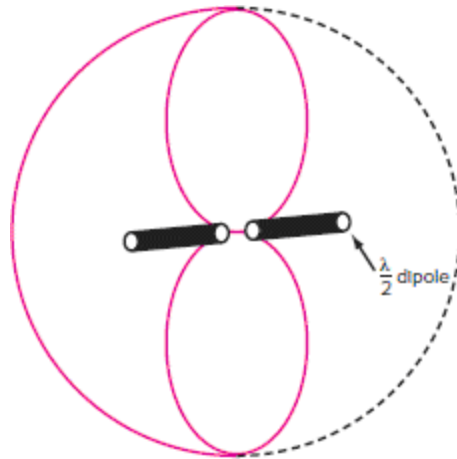
Antenna radiation pattern

Antenna directivity

The radiation pattern of a half-wave dipole has the shape of a doughnut. Fig. 16-15 shows the pattern with one-half the doughnut cut away. The dipole is at the center hole of the doughnut, and the doughnut itself represents the radiated energy. To an observer looking down on the top of the dipole, the radiation pattern would appear to be a figure 8, as shown in Fig. 16-16. This horizontal radiation pattern is plotted on a polar coordinate graph in the figure. The center of the antenna is assumed to be at the center of the graph. The dipole is assumed to be aligned with the 90° to 270° axis. As shown, the maximum amount of energy is radiated at right angles to the dipole, at 0° and 180° . For that reason, a dipole is what is known as a *directional antenna*. For optimum transmission and reception, the antenna should be aligned broadside to the signal destination or source. For optimal signal transmission, the transmitting and receiving antennas must be parallel to each other.

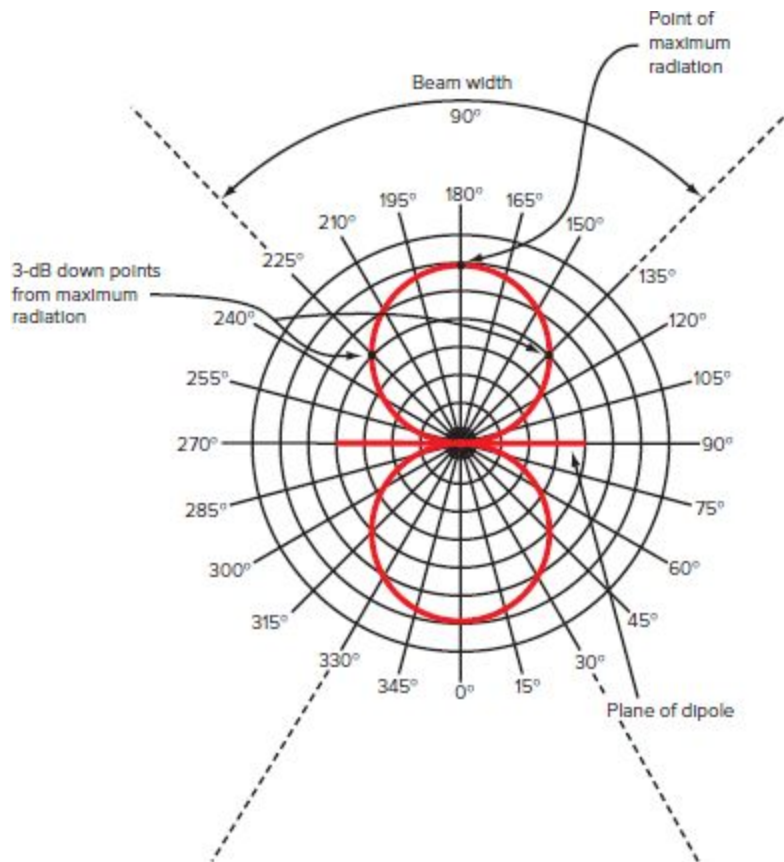
Directional antenna

Figure 16-15 Three-dimensional pattern of a half-wave dipole.



Whenever a dipole receiving antenna is pointed toward a transmitter, or vice versa, it must be broadside to the direction of the transmitter. If the antenna is at some other angle, the maximum signal will not be received. As can be seen from the radiation pattern in Fig. 16-16, if the end of the receiving antenna is pointed directly at the transmitting antenna, no signal is received. As indicated earlier, this zero-signal condition could not occur in practice, because the radiated wave would undergo some shifts during propagation and, therefore, some minimal signal would be received from the ends of the antenna.

Figure 16-16 Horizontal radiation pattern of a half-wave dipole.



The measure of an antenna's directivity is *beam width*, the angle of the radiation pattern over which a transmitter's energy is directed or received. Beam width is measured on an antenna's radiation pattern. The concentric circles extending outward from the pattern in Fig. 16-16 indicate the relative strength of the signal as it moves away from the antenna. The beam width is measured between the points on the radiation curve that are 3 dB down from the maximum amplitude of the curve. As stated previously, the maximum amplitude of the pattern occurs at 0° and 180° . The 3-dB down points are 70.7 percent of the maximum. The angle formed with two lines extending from the center of the curve to these 3-dB points is the beam width. In this example, the beam width is 90° . The smaller the beam width angle, the more directional the antenna.

Beam width

Antenna Gain. *Gain* was previously defined as the output of an electronic circuit or device divided by the input. Obviously, passive devices such as antennas cannot have gain in this sense. The power radiated by an antenna can never be greater than the input power. However, a directional antenna can radiate more power *in a given direction* than a nondirectional antenna, and in this “favored” direction, it acts as if it had gain. Antenna gain of this type is expressed as the ratio of the *effective radiated* output power P_{out} to the input power P_{in} . Effective radiated power is the actual power that would have to be radiated by a reference antenna (usually a nondirectional or dipole antenna) to produce the same signal strength at the receiver as the actual antenna produces. Antenna gain is usually expressed in decibels:

Gain

$$dB = 10 \log \frac{P_{out}}{P_{in}}$$

The power radiated by an antenna with directivity and therefore gain is called the *effective radiated power (ERP)*. The ERP is calculated by multiplying the transmitter power fed to the antenna P_t by the power gain A_p of the antenna:

Effective radiated power (ERP)

$$ERP = A_p P_t$$

To calculate ERP, you must convert from decibels to the power ratio or gain.

The gain of an antenna is usually expressed in reference to either the dipole or an isotropic radiator. An *isotropic radiator* is a theoretical point source of electromagnetic energy. The E and H fields radiate out in all directions from the point source, and at any given distance from the point source, the fields form a sphere. To visualize this, think of a

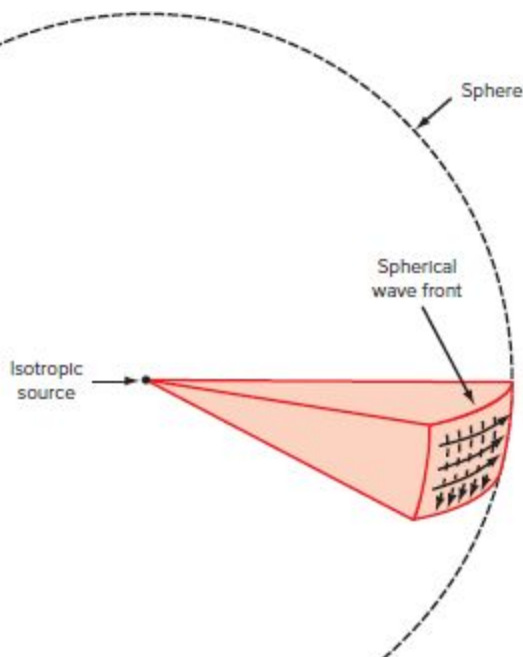
lightbulb at the center of a large world globe and the light that illuminates the inside of the sphere as the electromagnetic energy.

Isotropic radiator

In what is known as the *near field* of the antenna, defined as the part of the field less than 10 wavelengths from the antenna at the operating frequency, a portion of the surface area on the sphere looks something like that shown in Fig. 16-17. In the *far field*, 10 or more wavelengths *distant* from the source, the sphere is so large that a small area appears to be flat rather than curved, much as a small area of the earth appears flat. Most far-field analysis of antennas is done by assuming a flat surface area of radiation with the electric and magnetic fields at right angles to each other.

Near field

Figure 16-17 An isotropic source and its spherical wave front.



In reality, no practical antennas radiate isotropically; instead, the radiation is concentrated into a specific pattern,

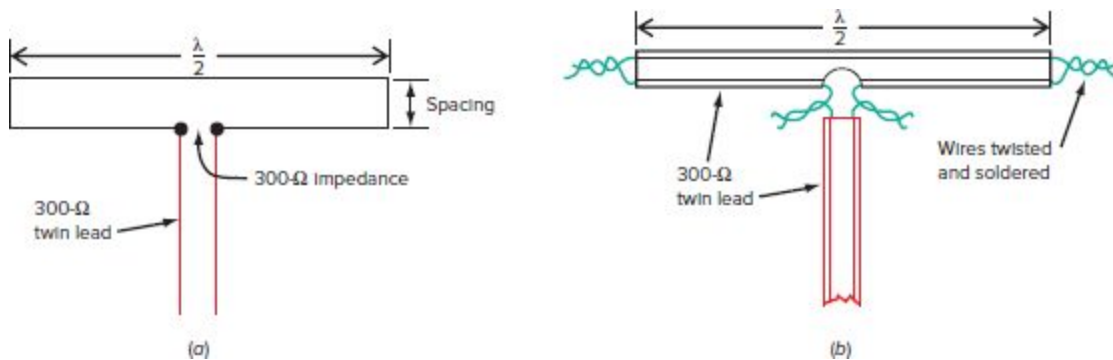
as seen in Figs. 16-15 and 16-16. This concentration of electromagnetic energy has the effect of increasing the radiation power over a surface area of a given size. In other words, antenna directivity gives the antenna gain over an isotropic radiator. The mathematics involved in determining the power gain of a dipole over an isotropic source is beyond the scope of this book. As it turns out, this power gain is 1.64; in decibels, $10 \log 1.64 = 2.15 \text{ dB}$.

Most formulas for antenna gain are expressed in terms of gain in decibels over a dipole (dBd). If the antenna gain is said to be 4.5 dB, this means gain as compared to a dipole. To compute the gain of an antenna with respect to an isotropic radiator (dBi), add 2.15 dB to the gain over the dipole ($\text{dBi} = \text{dBd} + 2.15$). In general, the more concentrated an antenna's energy, the higher the gain. The effect is as if the transmitter power were actually increased by the antenna gain and applied to a dipole.

Folded Dipoles. One variation of the half-wave page 546 dipole is the *folded dipole*, shown in Fig. 16-18(a). Like the standard dipole, it is one-half wavelength long. However, it consists of two parallel conductors connected at the ends with one side open at the center for connection to the transmission line. The impedance of this popular antenna is 300Ω , making it an excellent match for $300\text{-}\Omega$ twin lead transmission line. The spacing between the two parallel conductors is not critical, although it is typically inversely proportional to the frequency. For very high-frequency antennas, the spacing is less than 1 in; for low-frequency antennas, the spacing may be 2 or 3 in.

Folded dipole

Figure 16-18 Folded dipole. (a) Basic configuration. (b) Construction with twin lead.



The radiation pattern and gain of a folded dipole are the same as those of a standard dipole. However, folded dipoles usually offer greater bandwidth. The radiation resistance impedance can be changed by varying the size of the conductors and the spacing.

An easy way to make a folded dipole antenna is to construct it entirely of 300-Ω twin-lead cable. A piece of twin-lead cable is cut to a length of one-half wavelength, and the two ends are soldered together [Fig. 16-18(b)]. When one-half wavelength is calculated, the velocity factor of twin-lead cable (0.8) must be included in the formula. For example, the length of an antenna cut for 100 MHz (the approximate center of the FM broadcast band) is $\lambda/2 = 492/f = 492/100 = 4.92$ ft. By taking into account the velocity factor of twin-lead cables, the final length is $4.92 \times 0.8 = 3.936$ ft.

Note: Twin-lead is no longer widely used for page 547 antennas or transmission lines.

The Marconi or Ground-Plane Vertical Antenna

Another widely used antenna is the *one-quarter wavelength vertical antenna*, also called a *Marconi antenna*. It is similar in operation to a vertically mounted dipole antenna. However, it offers major advantages because it is one-half the length of a dipole antenna.

One-quarter wavelength vertical antenna

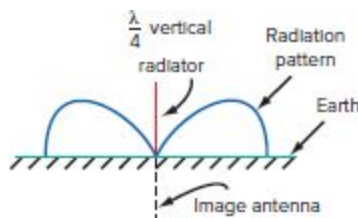
Radiation Pattern. Most half-wave dipole antennas are mounted horizontally, but they can also be mounted vertically. The radiation pattern of a vertically polarized dipole antenna is still doughnut-shaped, but the radiation pattern, as seen from above the antenna, is a perfect circle. Such antennas, which transmit an equal amount of energy in the horizontal direction, are called *omnidirectional antennas*. Because of the doughnut shape, the vertical radiation is zero and the radiation at any angle from the horizontal is greatly diminished.

Omnidirectional antenna

The same effect can be achieved with a one-quarter wavelength antenna. Fig. 16-19 shows a vertical dipole with the doughnut-shaped radiation pattern. One-half of the pattern is below the surface of the earth. This is called a *vertical radiation pattern*.

Vertical radiation pattern

Figure 16-19 Side view of the radiation pattern of a vertical dipole.



Vertical polarization and omnidirectional characteristics can also be achieved by using a one-quarter wavelength vertical radiator; see Fig. 16-20(a). This antenna is known as a Marconi or *ground-plane antenna*. It is usually fed with coaxial cable; the center conductor is connected to the vertical radiator, and the shield is connected to earth ground. With this arrangement, the earth acts as a type of electrical “mirror,” effectively providing the other one-

quarter wavelength of the antenna and making it the equivalent of a vertical dipole. The result is a vertically polarized omnidirectional antenna.

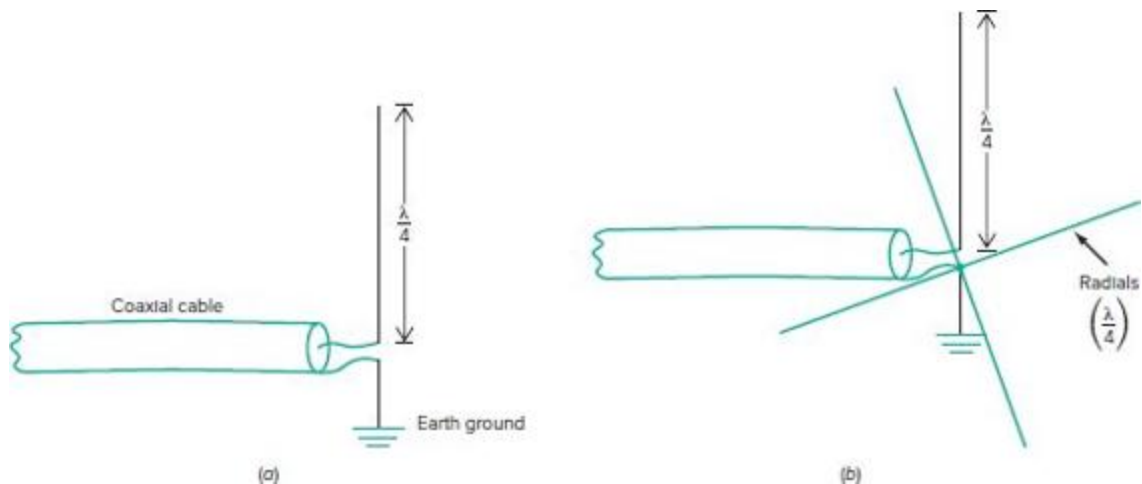
Ground-plane antenna

Ground plane

Radial

Counterpoise

Figure 16-20 Ground-plane antenna. (a) One-quarter wavelength vertical antenna. (b) Using radials as a ground plane.



Ground Plane, Radials, and Counterpoise. The effectiveness of a vertically polarized omnidirectional antenna depends on making good electrical contact with the earth. This can be tricky. Sometimes, a reasonable ground can be obtained by driving a copper rod 5 to 15 ft long into the earth. If the earth is dry and has high resistance because of its content, however, even a ground rod is insufficient. Once a good electrical connection to the earth has been made, the earth becomes what is known as a *ground plane*. If a good electrical connection (low resistance) cannot be made to the earth, then an artificial ground plane can be constructed of several one-quarter wavelength wires laid horizontally on the ground or buried in

the earth [Fig. 16-20(b)]. Four wires are usually sufficient, but in some antenna systems, more are used. These horizontal wires at the base of the antenna are referred to as *radials*. The greater the number of radials, the better the ground and the better the radiation. The entire ground-plane collection of radials is often referred to as a *counterpoise*.

GOOD TO KNOW

If a good electrical connection (ground plane) cannot be made to earth, an artificial ground can be constructed of several one-quarter wavelength wires laid horizontally on the ground or buried in the earth.

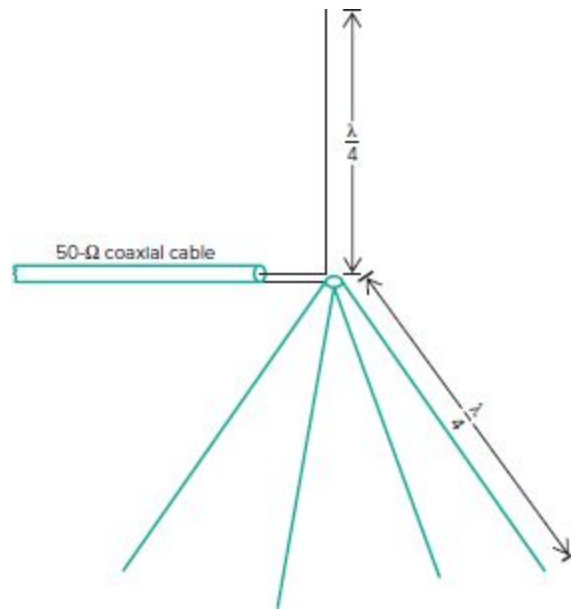
At very high frequencies, when antennas are [page 548](#) short, any large, flat metallic surface can serve as an effective ground plane. For example, vertical antennas are widely used on cars, trucks, boats, and other vehicles. The metallic roof of a car makes a superior ground plane for VHF and UHF antennas. In any case, the ground plane must be large enough that it has a radius of greater than one-quarter wavelength at the lowest frequency of operation.

Radiation Resistance. The impedance of a vertical ground-plane antenna is exactly one-half the impedance of the dipole, or approximately $36.5\ \Omega$. Of course, this impedance varies depending on the height above ground, the length/diameter ratio of the conductor, and the presence of surrounding objects. The actual impedance can drop to less than $20\ \Omega$ for a thick conductor very close to the ground.

Since there is no such thing as $36.5\text{-}\Omega$ coaxial cable, $50\text{-}\Omega$ coaxial cable is commonly used to feed power to the ground-plane antenna. This represents a mismatch. However, the SWR of $50/36.5 = 1.39$ is relatively low and does not cause any significant power loss.

One way to adjust the antenna's impedance is to use "drooping" radials, as shown in Fig. 16-21. At some angle depending upon the height of the antenna above the ground, the antenna's impedance will be near $50\ \Omega$, making it a nearly perfect match for most $50\text{-}\Omega$ coaxial cable.

Figure 16-21 Drooping radials adjust the antenna's impedance to near $50\ \Omega$.



Antenna Length. In addition to its vertical polarization and omnidirectional characteristics, another major benefit of the one-quarter wavelength vertical antenna is its length. It is one-half the length of a standard dipole, which represents a significant savings at lower radio frequencies. For example, a one-half wavelength antenna for a frequency of 2 MHz would have to be $468/f = 468/2 = 234$ ft. Constructing a 234-ft vertical antenna would present a major structural problem, as it would require a support at least that long. An alternative is to use a one-quarter wavelength vertical antenna, the length of which would only have to be $234/f = 117$ ft. Most low-frequency transmitting antennas use the one-quarter wavelength of vertical configuration for this reason. AM broadcast stations in the 535- to 1635-kHz range use

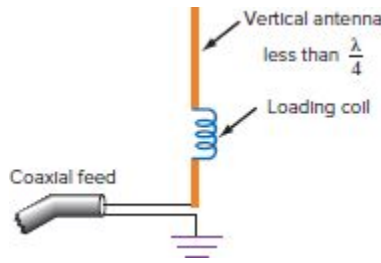
one-quarter wavelength vertical antennas because they are short, inexpensive, and not visually obtrusive. Additionally, they provide an equal amount of radiation in all directions, which is usually ideal for broadcasting.

For many applications, e.g., with portable or mobile equipment, it is not possible to make the antenna a full one-quarter wavelength long. A radio operating in the 46- to 49-MHz range would have a one-quarter wavelength of $\frac{234}{f} = \frac{234}{46} = 5.1 \text{ ft.}$ A 5-ft whip antenna, or even a 5-ft telescoping antenna, would be impractical for a device you have to hold up to your ear. And a one-quarter wavelength vertical antenna for a 27-MHz CB walkie-talkie would have to be an absurdly long $\frac{234}{27} = 8.7 \text{ ft!}$

To overcome this problem, much shorter page 549 antennas are used, and lumped electrical components are added to compensate for the shortening. When a vertical antenna is made less than one-quarter wavelength, the practical effect is a decreased inductance. The antenna no longer resonates at the desired operating frequency, but at a higher frequency. To compensate for this, a series inductor, called a *loading coil*, is connected in series with the antenna coil (Fig. 16-22). The loading coil brings the antenna back into resonance at the desired frequency. The coil is sometimes mounted external to the equipment at the base of the antenna so that it can radiate along with the vertical rod. The coil can also be contained inside a handheld unit, as in a cordless telephone.

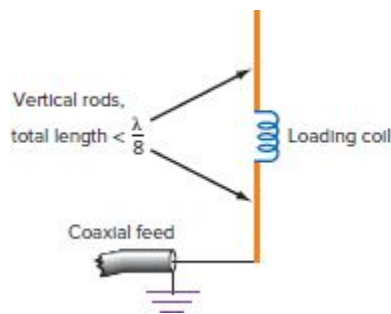
Loading coil

Figure 16-22 Using a base leading coil to increase effective antenna length.



In some cases, the loading coil is placed at the center of the vertical conductor (see Fig. 16-23). CB antennas and amateur radio antennas use this method. The CB or amateur radio antennas have a large coil usually enclosed inside a protective housing.

Figure 16-23 A center-loaded shortened vertical.



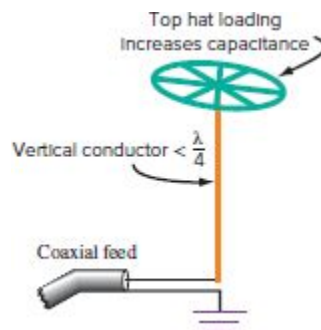
In both types of inductive vertical antennas, the inductor can be made variable, so that the antenna can be tuned; or the inductor can be made larger than needed and a capacitor connected in series to reduce the overall capacitance and tune the coil to resonance.

Another approach to using a shortened antenna is page 550 to increase the effective capacitance represented by the antenna. One way to do this is to add conductors at the top of the antenna, as shown in Fig. 16-24. Sometimes referred to as a *top hat*, this structure increases the capacitance to surrounding items, bringing the antenna back into resonance. Obviously, such an arrangement is too top-heavy and inconvenient for portable and mobile

antennas. However, it is sometimes used in larger fixed antennas at lower frequencies.

Top hat

Figure 16-24 Using a top hat capacitive load to lower the resonant frequency of a shortened vertical antenna.



One of the most popular variations of the one-quarter wavelength vertical antenna is the $\frac{5}{8}\lambda$ vertical antenna ($\frac{5\lambda}{8}$ or 0.625λ). Like a one-quarter wavelength ground-plane antenna, the $\frac{5}{8}$ -wavelength vertical antenna is fed at the base with coaxial cable and has four or more one-quarter wavelength radials or the equivalent (i.e., body of a car).

A $\frac{5}{8}\lambda$ vertical antenna is one-eighth wavelength longer than one-half wavelength. This additional length gives such an antenna about a 3-dB gain over a basic dipole and one-quarter wavelength vertical antenna. The gain comes from concentrating the radiation into a narrower vertical radiation pattern at a lower angle to the horizon. Thus $\frac{5}{8}\lambda$ vertical antennas are ideal for long-distance communication.

Since a $\frac{5}{8}\lambda$ antenna is not some integer multiple of a one-quarter wavelength, it appears too long to the transmission line; i.e., it looks like a capacitive circuit. To compensate for this, a series inductor is connected between the antenna and the transmission line, making the antenna a very close match to a $50\text{-}\Omega$ coaxial transmission line. The arrangement is similar to that shown in Fig. 16-22.

The $\frac{5}{8}\lambda$ antenna is widely used in the VHF and UHF bands, where its length is not a problem. It is very useful in mobile radio installations, where omnidirectional antennas are necessary but additional gain is needed for reliable transmission over longer distances.

Example 16-1

Calculate the length of the following antennas and state their radiation resistance at 310 MHz: (a) dipole; (b) folded dipole (twin lead; $Z = 300 \Omega$, velocity factor = 0.8); (c) bow tie ($\theta = 35^\circ, 0.73\lambda$); (d) ground plane (vertical).

$$\text{a. } \frac{\lambda}{2} = \frac{492 \times 0.97}{f} = \frac{477.25}{310} = 1.54 \text{ ft}$$

$$\text{Dipole radiation resistance} = 73 \Omega$$

$$\text{b. } \frac{\lambda}{2} = \frac{492}{f} = \frac{492}{310} = 1.587 \text{ ft}$$

$$\text{Taking the velocity factor into account gives } 0.8 \times 1.587 = 1.27 \text{ ft.}$$

$$\text{c. } \lambda = \frac{984}{f} = \frac{984}{310} = 3.16 \text{ ft}$$

$$0.73\lambda = 3.16(0.73) = 2.3 \text{ ft}$$

$$\begin{aligned} Z &= 120 \ln \frac{\theta}{2} = 120 \ln \frac{35}{2} \\ &= 120 \ln 17.5 = 120(2.862) \\ &= 343.5 \Omega \end{aligned}$$

$$\text{d. } \frac{\lambda}{4} = \frac{234}{f} = 0.755 \text{ ft}$$

$$Z = 36.5 \Omega$$

The impedance of the ground-plane antenna is one-half the impedance of the dipole ($73 \div 2 = 36.5 \Omega$).

Directivity

In many types of communication systems, it is desirable to use antennas with omnidirectional characteristics, i.e., antennas that can send messages in any direction and receive them from any direction. In others, it is more advantageous to restrict the direction in which signals are sent or received. This requires an antenna with directivity.

Directivity refers to the ability of an antenna to send or receive signals over a narrow horizontal directional range. In other words, the physical orientation of the antenna gives it a highly directional response or directivity curve. A directional antenna eliminates interference from other signals being received from all directions other than the direction of the desired signal. A highly directional antenna acts as a type of filter to provide selectivity based on the direction of the signal. The receiving antenna is pointed directly at the station to be received, thereby effectively rejecting signals from transmitters in all other directions.

Directivity

Directional antennas provide greater efficiency of power transmission. With omnidirectional antennas, the transmitted power radiates out in all directions. Only a small portion of the power is received by the desired station; the rest is, in effect, wasted. When the antenna is made directional, the transmitter power can be focused into a narrow beam directed toward the station of interest.

GOOD TO KNOW

Directional antennas provide great efficiency of power transmission because the transmitter power can be focused into a narrow beam directed toward the station of interest.

The conventional half-wave dipole has some directivity in that it sends or receives signals in directions perpendicular to the line of the antenna. (This is illustrated in Fig. 16-16,

which shows the figure-8 response curve of a half-wave dipole.) The half-wave dipole antenna is directional in that no signal is radiated from or picked up from its ends. Such an antenna is referred to as *bidirectional*, since it receives signals best in two directions.

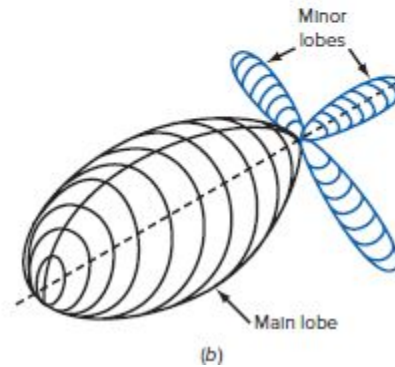
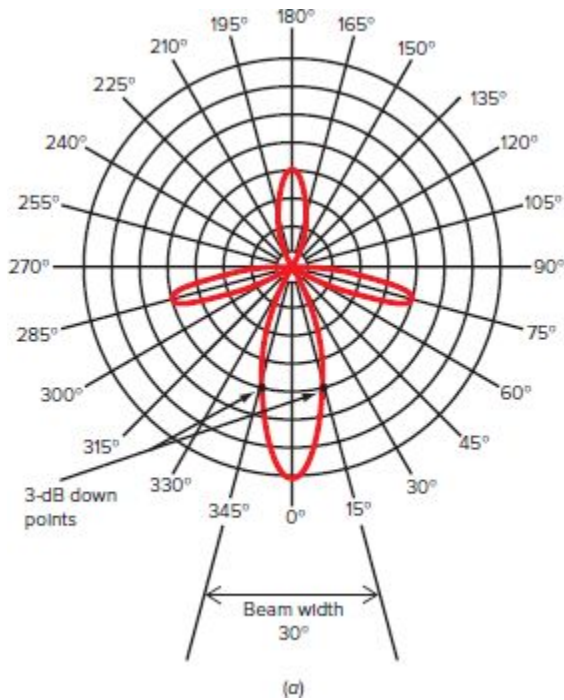
Bidirectional antenna

Antennas can also be designed to be page 552 *unidirectional*; unidirectional antennas send or receive signals in one direction only. Fig. 16-25(a) shows the directivity pattern of a highly directional antenna. The larger loop represents the main response curve for the antenna. Maximum radiation or reception is in the direction of 0° . The three smaller patterns or loops going off in different directions from the main larger pattern are called *minor lobes*. A three-dimensional version of the horizontal radiation pattern shown in Fig. 16-25(a) is given in Fig. 16-25(b).

Unidirectional antenna

Minor lobe

Figure 16-25 Radiation pattern of a highly directional antenna with gain. (a) Horizontal radiation pattern. (b) Three-dimensional radiation pattern.



Few antennas are perfectly unidirectional. Because of various imperfections, some power is radiated (or received) in other directions (the minor lobes). The goal is to eliminate or at least minimize the minor lobes through various antenna adjustments and enhancements designed to put more power into the main lobe.

The beam width on a standard half-wave dipole is approximately 90° . This is not a highly directional antenna. The narrower the beam width, of course, the better the directivity and the more highly focused the signal. The antenna whose pattern is shown in Fig. 16-25 has a beam width of 30° . At microwave frequencies, antennas with beam widths of less than 1° have been built; these provide pinpoint communication accuracy.

Gain

When a highly directive antenna is used, all the transmitted power is focused in one direction. Because the power is concentrated into a small beam, the effect is as if the

antenna had amplified the transmitted signal. Directivity, because it focuses the power, causes the antenna to exhibit gain, which is one form of amplification. An antenna cannot, of course, actually amplify a signal; however, because it can focus the energy in a single direction, the effect is *as if* the amount of radiated power were substantially higher than the power output of the transmitter. The antenna has power gain.

The power gain of an antenna can be expressed as the ratio of the power transmitted P_{trans} to the input power of the antenna P_{in} . Usually, however, power gain is expressed in decibels:

$$\text{dB} = 10 \log \frac{P_{\text{trans}}}{P_{\text{in}}}$$

The total amount of power radiated by the page 553 antenna, the ERP, is, as stated previously, the power applied to the antenna multiplied by the antenna gain. Power gains of 10 or more are easily achieved, especially at the higher RFs. This means that a 100-W transmitter can be made to perform as a 1000-W transmitter when applied to an antenna with gain.

Relationship Between Directivity and Gain

The relationship between the gain and the directivity of an antenna is expressed mathematically by the formula

$$B = \frac{203}{(\sqrt{10})^x}$$

where B = beam width of antenna, deg

x = antenna power gain in decibels divided by 10 ($x = \text{dB}/10$)

The beam width is measured at the 3-dB down points on the radiation pattern. It assumes a symmetric major lobe.

For example, the beam width of an antenna with a gain of 15 dB over a dipole is calculated as follows ($x = \text{dB}/10 = 15/10 = 1.5$):

$$B = \frac{203}{(\sqrt{10})^{1.5}} = \frac{203}{3.162^{1.5}} = \frac{203}{5.62} = 36.1^\circ$$

It is possible to solve for the gain, given the beam width, by rearranging the formula and using logarithms:

$$x = 2 \log \frac{203}{B}$$

The beam width of an antenna of unknown gain can be measured in the field, and then the gain can be calculated. Assume, e.g., a measured -3-dB beam width of 7° . The gain is

$$x = 2 \log \frac{203}{7} = 2 \log 29 = 2(1.462) = 2.925$$

Since $x = \text{dB}/10$, $\text{dB} = 10x$. Therefore, the gain in decibels is $2.925 \times 10 = 29.25 \text{ dB}$.

To create an antenna with directivity and gain, two or more antenna elements are combined to form an *array*. Two basic types of antenna arrays are used to achieve gain and directivity: parasitic arrays and driven arrays.

Antenna array

Parasitic Arrays

A *parasitic array* consists of a basic antenna connected to a transmission line plus one or more additional conductors that are not connected to the transmission line. These extra conductors are referred to as *parasitic elements*, and the antenna itself is referred to as the *driven element*. Typically the driven element is a half-wave dipole or some variation. The parasitic elements are slightly longer than and slightly less than one-half wavelength long. These parasitic elements are placed in parallel with and near the driven

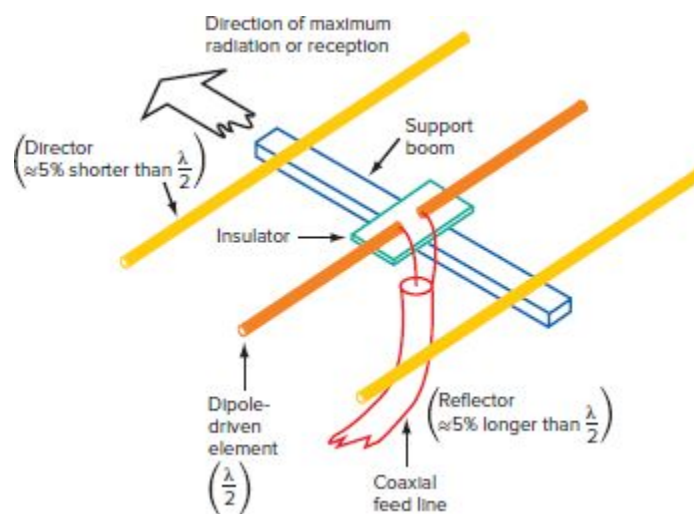
elements. A common arrangement is illustrated in Fig. 16-26. The elements of the antenna are all mounted on a common boom. The boom does not have to be an insulator. Because there is a voltage null at the center of a one-half wavelength conductor at the resonant frequency, there is no potential difference between the elements and so they can all be connected to a conducting boom with no undesirable effect. In other words, the elements are not “shorted together.”

Parasitic array

Parasitic elements

Driven element

Figure 16-26 A parasitic array known as a Yagi antenna.



The *reflector*, a parasitic element that is typically about 5 percent longer than the half-wave dipole-driven element, is spaced from the driven element by a distance of 0.15λ to 0.25λ . When the signal radiated from the dipole reaches the reflector, it induces a voltage into the reflector and the reflector produces some radiation of its own. Because of the spacing, the reflector's radiation is mostly in phase with the radiation of the driven element. As a result, the reflected signal is added to the dipole signal, creating a stronger,

more highly focused beam in the direction of the driven element. The reflector minimizes the radiation to the right of the driven element and reinforces the radiation to the left of the driven element (see Fig. 16-26).

Reflector

Another kind of parasitic element is a director. A [page 554](#) *director* is approximately 5 percent shorter than the half-wave dipole driven element and is mounted in front of the driven element. The directors are placed in front of the driven element and spaced by some distance between approximately one-tenth and two-tenths of a wavelength from the driven element. The signal from the driven element causes a voltage to be induced into the director. The signal radiated by the director then adds in phase to that from the driven element. The result is increased focusing of the signal, a narrower beam width, and a higher antenna gain in the direction of the director. The overall radiation pattern of the antenna in Fig. 16-16 is very similar to that shown in Fig. 16-25.

Director

An antenna made up of a driven element and one or more parasitic elements is generally referred to as a *Yagi antenna*, after one of its inventors. The antenna elements are usually made of aluminum tubing and mounted on an aluminum cross member or boom. Since the centers of the parasitic elements are neutral electrically, these elements can be connected directly to the boom. For the best lightning protection, the boom can then be connected to a metal mast and electrical ground. An antenna configured in this way is often referred to as a *beam antenna* because it is highly directional and has very high gain. Gains of 3 to 15 dB are possible with beam angles of 20° to 40°. The three-element Yagi antenna shown in Fig. 16-26 has a gain of about 8 dB when compared to a half-wave dipole. The

simplest Yagi is a driven element and a reflector with a gain of about 3 dB over a dipole. Most Yagis have a driven element, a reflector, and from 1 to 20 directors. The greater the number of directors, the higher the gain and the narrower the beam angle.

Yagi antenna

Beam antenna

The drive impedance of a Yagi varies widely with the number of elements and the spacing. The parasitic elements greatly lower the impedance of the driven element, making it less than $10\ \Omega$ in some arrangements. Typically, some kind of impedance-matching circuit or mechanism must be used to attain a reasonable match to $50\text{-}\Omega$ coaxial cable, which is the most commonly used feed line.

Despite the focusing action of the reflector and director in a Yagi, so that most power is radiated in the forward direction, a small amount is lost to the rear, making the Yagi a less than perfect directional antenna. Thus, in addition to the gain and beam width, another specification of a Yagi is the ratio of the power radiated in the forward direction to the power radiated in the backward direction, or the *front-to-back (F/B) ratio*:

Front-to-back (F/B) ratio

$$F/B = 10 \log \frac{P_f}{P_b} \quad \text{dB}$$

page 555

where P_f = forward power
 P_b = backward power

Relative values of forward and backward power are determined by estimating the sizes of the loops in the radiation pattern for the antenna of interest. When the radiation patterns are plotted in decibels rather than in terms of power, the F/B ratio is simply the difference

between the maximum forward value and the maximum rearward value, in decibels.

By varying the number of parasitic elements and their spacing, it is possible to maximize the F/B ratio. Of course, varying the number of elements and their spacing also affects the forward gain. However, maximum gain does not occur with the same conditions required to achieve the maximum F/B ratio. Most Yagis are designed to maximize F/B ratio rather than gain, thus minimizing the radiation and reception from the rear of the antenna.

Yagis are widely used communication antennas because of their directivity and gain. Amateur radio operators are major users of beam antennas. And other communication services use them because of their excellent performance and low cost.

Beam antennas such as Yagis are used mainly at VHF and UHF. For example, at a frequency of 450 MHz, the elements of a Yagi are only about 1 ft long, making the antenna relatively small and easy to handle. The lower the frequency, the larger the elements and the longer the boom. In general, such antennas are only practical above frequencies of about 15 MHz. At 15 MHz, the elements are in excess of 35 ft long. Long antennas are difficult to work with, but they are still widely used in some communication services.

Driven Arrays

The other major type of directional antenna is the *driven array*, an antenna that has two or more driven elements. Each element receives RF energy from the transmission line, and different arrangements of the elements produce different degrees of directivity and gain. Two common types of driven arrays are the collinear and the wide-bandwidth log-periodic antenna.

Driven array

Collinear Antennas. *Collinear antennas* usually consist of two or more half-wave dipoles mounted end to end. (See Fig. 16-27.) The lengths of the transmission lines connecting the various driven elements are carefully selected so that the energy reaching each antenna is in phase with all other antennas. With this configuration, the individual antenna signals combine, producing a more focused beam. Three different transmission line connections are shown in the figure. Like dipole antennas, collinear antennas have a bidirectional radiation pattern, but the two beam widths are much narrower, providing greater directivity and gain. With four or more half-wave elements, minor lobes begin to appear. A typical collinear pattern is shown in Fig. 16-28.

Collinear antenna

Figure 16-27 Types of collinear antennas.

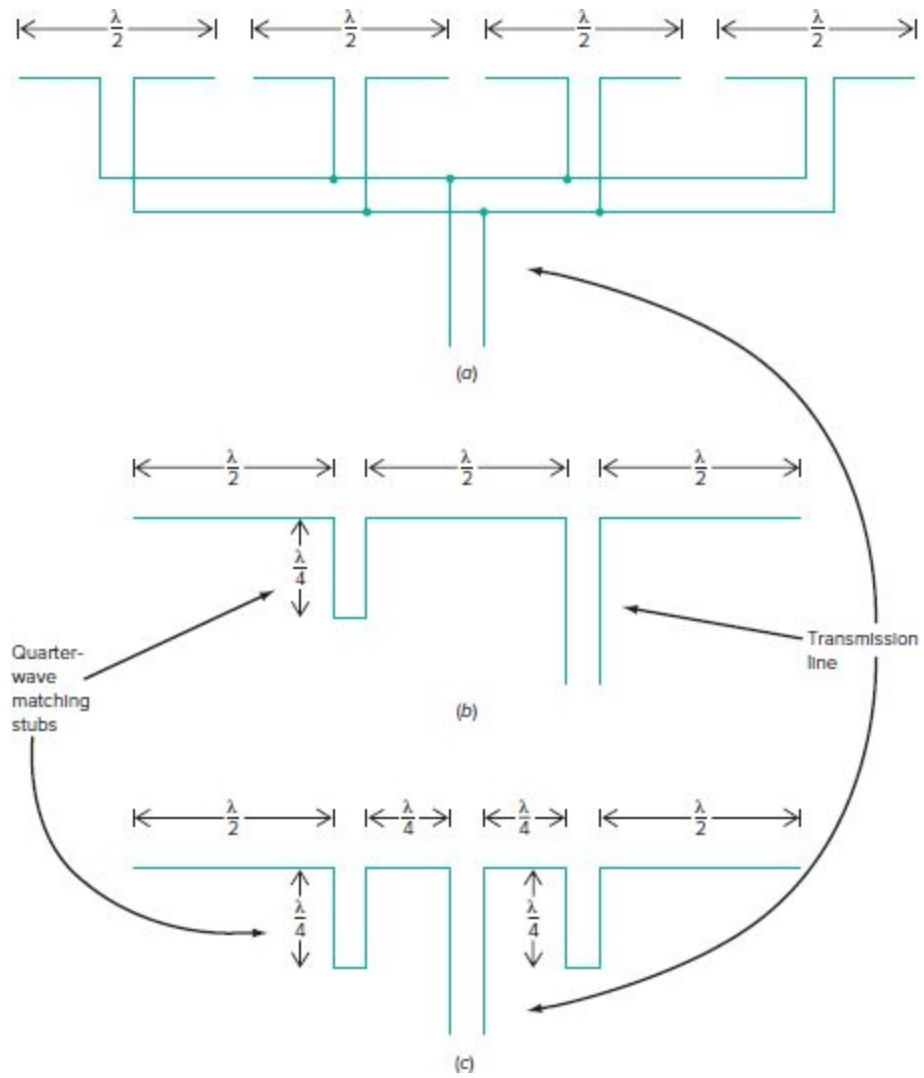
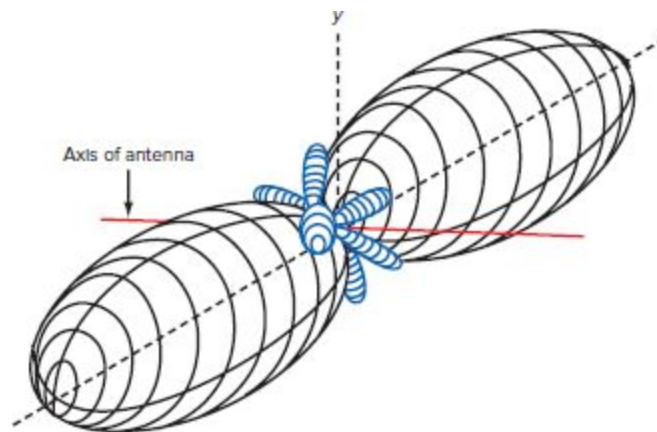


Figure 16-28 Radiation pattern of a four-element collinear antenna.



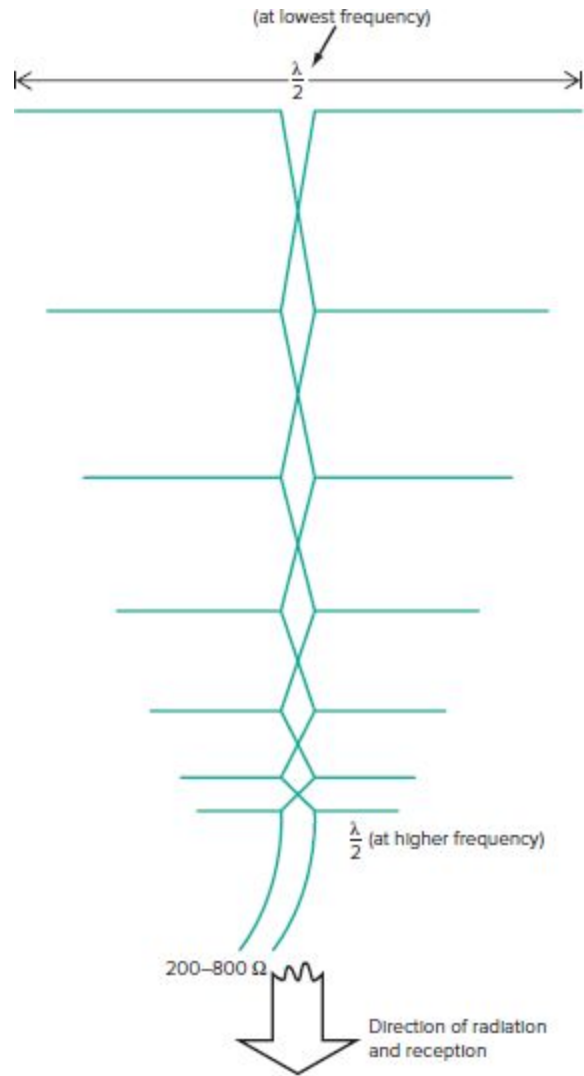
The collinear antennas in Fig. 16-27(b) and (c) use half-wave sections separated by shorted quarter-wave matching stubs, which ensure that the signals radiated by each half-wave section are in phase. The greater the number of half-wave sections used, the higher the gain and the narrower the beam width.

Collinear antennas are generally used only on VHF and UHF bands because their length becomes prohibitive at the lower frequencies. At high frequencies, collinear antennas are usually mounted vertically to provide an omnidirectional antenna with gain.

Log-Periodic Antennas. A special type of driven [page 556](#) array is the *wide-bandwidth log-periodic antenna* [page 557](#) (see Fig. 16-29). The lengths of the driven elements vary from long to short and are related logarithmically. The longest element has a length of one-half wavelength at the lowest frequency to be covered, and the shortest element is one-half wavelength at the higher frequency. The spacing is also variable. Each element is fed with a special short transmission line segment to properly phase the signal. The transmission line is attached at the smallest element. The driving impedance ranges from about 200 to $800\ \Omega$ and depends on the length-to-diameter ratio of the driven element. The result is a highly directional antenna with excellent gain.

Log-periodic array

Figure 16-29 Log-periodic antenna.



The great advantage of the log-periodic antenna over a Yagi or other array is its very wide bandwidth. Most Yagis and other driven arrays are designed for specific frequency or a narrow band of frequencies. The lengths of the elements set the operating frequency. When more than one frequency is to be used, of course, multiple antennas can be used. The log-periodic antenna can achieve a 4:1 frequency range, giving it a very wide bandwidth. The driving impedance remains constant over this range. Log-periodic antennas are also used in other two-way communication systems where wide bandwidth and multiple frequencies must be covered.

One of the most critical aspects of any antenna system is to ensure maximum power transfer from the transmitter to the antenna. An important part of this, of course, is the transmission line itself. When the characteristic impedance of the transmission line matches the output impedance of the transmitter and the impedance of the antenna itself, the SWR will be 1:1 and maximum power transfer will take place.

Impedance matching

The best way to prevent a mismatch between antenna and transmission line is through correct design. In practice, when mismatches do occur, some corrections are possible. One solution is to tune the antenna, usually by adjusting its length to minimize the SWR. Another is to insert an impedance-matching circuit or antenna tuner between the transmitter and the transmission line, such as the balun or LC , L , T , or π networks described previously. These circuits can make the impedances equal so that no mismatch occurs, or at least the mismatch is minimized. The ideal is an SWR of 1, but any SWR value below 2 is usually acceptable.

Today, most transmitters and receivers are designed to have an antenna impedance of $50\ \Omega$. Receivers must see an antenna system including transmission line that looks like a generator with a $50\text{-}\Omega$ resistive impedance. Transmitters must see an antenna including transmission line with a $50\text{-}\Omega$ resistive impedance over the desired operating frequency range if the SWR is to be close to 1 and maximum power is to be transferred to the antenna.

Example 16-2

An antenna has a gain of 14 dB. It is fed by an RG-8/U transmission line 250 ft long whose attenuation is 3.6 dB/100 ft at 220 MHz. The transmitter output is 50 W. Calculate (a) the transmission line loss and (b) the effective radiated power.

a. Total line attenuation: 3.6 dB/100 ft

$$\frac{250}{100} = 2.5 \text{ hundreds}$$

$$2.5 \times 3.6 = -9 \text{ dB} \quad (\text{minus dB indicates a loss})$$

$$\text{dB} = 10 \log P$$

$$P = \log^{-1} \frac{\text{dB}}{10} = \log^{-1}(-0.9) = 0.126$$

$$P = \frac{P_{\text{out}}}{P_{\text{in}}}$$

where P_{in} = power into transmission line

P_{out} = power out of transmission line to antenna

$$\frac{P_{\text{out}}}{P_{\text{in}}} = 0.126$$

$$P_{\text{in}} = 50 \text{ W}$$

$$P_{\text{out}} = 0.126(50) = 6.3 \text{ W}$$

b. Gain = 14 dB

$$\text{Power ratio} = \log^{-1} \frac{\text{dB}}{10}$$

$$= \log^{-1} 1.4$$

$$= 25.1$$

$$\text{ERP} = \text{power to antenna} \times \text{power ratio} = 6.3(25.1) = 158.2 \text{ W}$$

For low-frequency applications (<30 MHz) using wire page 559 antennas high above the ground, the 50-Ω coaxial cable is a reasonable match to the antenna, and no further action need be taken. However, if other antenna designs are used, or if the feed point impedance is greatly different from that of a 50-Ω coaxial cable, some means must be used to ensure that the impedances are matched. For example,

most Yagis and other multiple-element antennas have an impedance that is not even close to $50\ \Omega$. Furthermore, an antenna that is not the correct length for the desired frequency will have a large reactive component that can severely affect the SWR and power output.

In situations in which a perfect match between antenna, transmission line, and transmitter is not possible, special techniques collectively referred to as *antenna tuning* or *antenna matching* are used to maximize power output and input. Most of these techniques are aimed at impedance matching, i.e., making one impedance look like another through the use of tuned circuits or other devices. Several of the most popular methods are described in the following sections.

GOOD TO KNOW

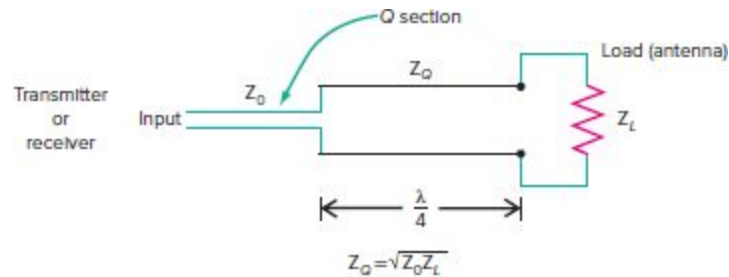
When impedance mismatch occurs between an antenna and transmission line, the problem might be corrected by adjusting the antenna's length to minimize the SWR, or by inserting an impedance-matching circuit or an antenna tuner between the transmitter and transmission line.

Q Sections. A *Q section*, or *matching stub*, is a one-quarter wavelength of coaxial or balanced transmission line of a specific impedance that is connected between a load and a source for the purpose of matching impedances (see Fig. 16-30). A one-quarter wavelength transmission line can be used to make one impedance look like another according to the relationship

Q section (matching stub)

$$Z_Q = \sqrt{Z_0 Z_L}$$

Figure 16-30 A one-quarter wavelength matching stub or Q section.



where Z_Q = characteristic impedance of quarter-wave matching stub or Q section
 Z_0 = characteristic impedance of transmission line or transmitter at input of Q section
 Z_L = impedance of load

Usually Z_L is the antenna feed point impedance.

For example, suppose it is desired to use a Q section to match a standard $73\text{-}\Omega$ coaxial transmission line to the $36.5\text{-}\Omega$ impedance of a quarter-wave vertical antenna. Using the equation, we have

$$Z_Q = \sqrt{36.5 \times 73} = \sqrt{2664.5} = 51.6$$

This tells us that a one-quarter wavelength section of $50\text{-}\Omega$ coaxial cable will make the $73\text{-}\Omega$ transmission line look like the $36.5\text{-}\Omega$ antenna or vice versa. In this way, maximum power is transferred.

When open-wire balanced transmission lines are used, a special balanced line can be designed and built to achieve the desired impedance. If it is desirable to use standard coaxial cable, then standard available impedances must be used. This means that the Q section will have to be 50 , 75 , or $93\text{-}\Omega$, since these are the only three standard values commonly available.

In using Q section techniques, it is important to [page 560](#) take into account the velocity factor of the cable used to make the Q section. For example, if a Q section of $93\text{-}\Omega$ is needed, then RG-62/U coaxial cable can be used. If the operating frequency is 24 MHz , the length of a quarter-wave is $246/f = 246/24 = 10.25\text{ ft}$. The velocity factor for this cable is

0.86, and so the correct length for the cable is $10.25 \times 0.86 = 8.815$ ft.

Two or more Q sections can be used in series to achieve the desired match, with each section performing an impedance match between its input and output impedances.

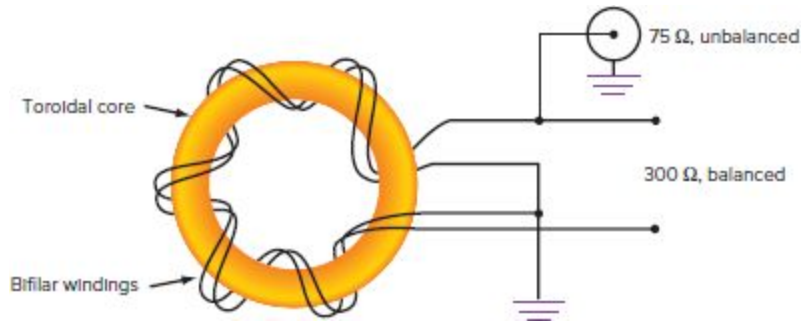
Balun

Baluns. Another commonly used impedance-matching technique makes use of a *balun*, a type of transformer used to match impedances. Most baluns are made of a ferrite core, either a toroid or rod, and windings of copper wire. Baluns have a very wide bandwidth and, therefore, are essentially independent of frequency. Baluns can be created for producing impedance-matching ratios of 4 : 1, 9 : 1, and 16 : 1. Some baluns have a 1 : 1 impedance ratio; the sole job of this type of balun is to convert between a balanced and unbalanced condition with no phase reversal.

Fig. 16-31 shows a 4 :1 balun made with bifilar windings on a toroid core. *Bifilar windings*, in which two parallel wires are wound together as one around the core, provide maximum coupling between wires and core. The connections of the wires are such as to provide a balanced-to-unbalanced transformation. A common example of such a balun is one that provides a 75- Ω unbalanced impedance on one end and a 300- Ω balanced impedance on the other. Baluns are fully bidirectional; i.e., either end can be used as the input or the output. Such baluns have excellent broadband capabilities and work over a very wide frequency range.

Bifilar windings

Figure 16-31 A bifilar toroidal balun for impedance matching.

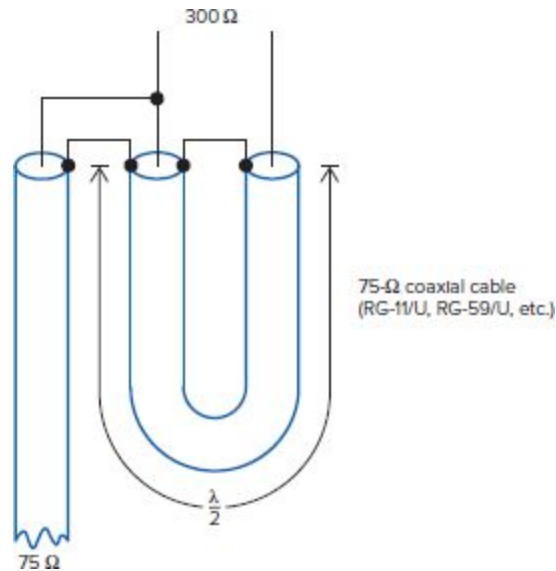


GOOD TO KNOW

Using an antenna tuner at the transmitter only tricks the transmitter into seeing a low SWR, when in actuality the SWR on the line between the tuner and antenna is still high.

Baluns can also be constructed from coaxial cable. A one-half wavelength coaxial cable is connected between the antenna and the feed line, shown in Fig. 16-32. When the length of the half-wave section for such a configuration is calculated, the velocity factor of the coaxial cable must be taken into account. Baluns of this type provide a 4 : 1 impedance transformation. For example, they can easily convert a 300-Ω antenna to a 75-Ω load and vice versa.

Figure 16-32 A coaxial balun with a 4 : 1 impedance ratio.



Antenna Tuners. When baluns and matching sections cannot do the job, antenna tuners are used. An *antenna tuner* is an inductor, one or more variable capacitors, or a combination of these components connected in various configurations. L, T, and π networks are all widely used. The inductor and capacitor values are adjusted until the SWR indicates that the impedances match.

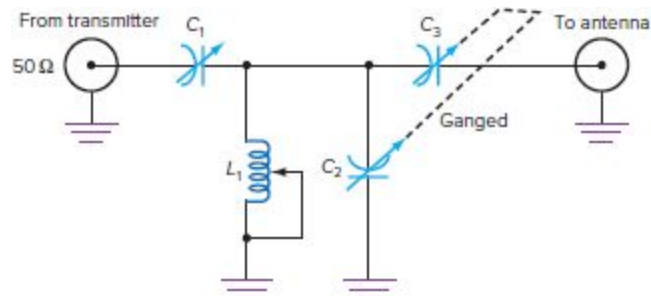
Antenna tuner

It is important to mention that using an antenna tuner at the transmitter only “tricks” the transmitter into seeing a low SWR. In reality, the SWR on the line between the tuner and the antenna is still high.

One popular variation of the antenna tuner is a *transmatch circuit*, which uses a coil and three capacitors to tune the antenna for optimal SWR (see Fig. 16-33). Capacitors C_2 and C_3 are ganged together and tuned simultaneously. Transmatch circuits can be made to work over a wide frequency range, typically from about 2 to 30 MHz. A similar circuit can be made by using lower values of inductance and capacitance for matching VHF antennas. At UHF and microwave frequencies, other forms of impedance matching are used.

Transmatch circuit

Figure 16-33 An antenna tuner.



To use this circuit, an SWR meter is usually connected in series with the antenna transmission line at the transmatch output. Then L_1 is adjusted for minimum SWR, with the transmitter feeding power to the antenna. Then C_1 and C_2 - C_3 are adjusted for minimum SWR. This procedure is repeated several times, alternately adjusting the coil and capacitors until the lowest SWR is reached.

A major development in antenna tuners is the automatic tuner. This may be an L, T, π , or other configuration that is self-adjusting. For example, the inductor in Fig. 16-33 would be provided with multiple taps along its length. By selecting the desired tap, the inductance could be changed. In place of each capacitor would be banks of parallel connected capacitors that could be switched in or out. All the inductor taps and capacitors are switched in or out by relay contacts. The relays in turn are operated by an embedded microcontroller.

The microcontroller gets its inputs from feedback provided by the outputs of an RF power meter. Today's power meters measure both forward and reflected power and provide a dc output proportional to those values. These dc values are converted to binary by an analog-to-digital converter and sent to the microcontroller. In the microcontroller resides a program that implements an algorithm that automatically adjusts the inductor and capacitors until the reflected power

is reduced to zero or at least minimized. The modern antenna tuner can produce an excellent match in a few seconds or less.

Example 16-3

Calculate the length of the impedance-matching section needed for a Q section to match a $50\text{-}\Omega$ transmitter output to a Yagi with a feed impedance of $172\text{ }\Omega$. The operating frequency is 460 MHz.

$$Z_Q = \sqrt{Z_0 Z_L} = \sqrt{50(172)} = \sqrt{8600} = 92.74\text{ }\Omega$$

The amount $92.74\text{ }\Omega$ is a close match to RG-62 A/U coaxial cable with an impedance of $93\text{ }\Omega$ (see Fig. 13-14). The velocity factor is 0.86.

$$\frac{\lambda}{4} = \frac{246}{f} \times \text{VF} = \frac{246}{460} \times 0.86 = 0.5347 \times 0.86 = 0.46\text{ ft (5.5 in)}$$

Example 16-4

Calculate the length of the impedance-matching section needed for a $\lambda/4$ balun to convert 75 to $300\text{ }\Omega$. The operating frequency is 460 MHz. RG-59 A/U coaxial cable is the line of choice; the velocity factor of RG-59 A/U cable is 0.66.

$$\frac{\lambda}{4} = 0.5347 \times 0.66 = 0.353\text{ ft (4.23 in)}$$

16-3 Radio Wave Propagation

Once a radio signal has been radiated by an antenna, it travels or propagates through space and ultimately reaches the receiving antenna. The energy level of the signal decreases rapidly with distance from the transmitting antenna. The electromagnetic wave is also affected by objects that it encounters along the way such as trees, buildings, and other large structures. In addition, the path that an electromagnetic signal takes to a receiving antenna depends upon many factors, including the frequency of the signal, atmospheric conditions, and time of day. All these factors can be taken into account to predict the propagation of radio waves from transmitter to receiver.

Optical Characteristics of Radio Waves

Radio waves act very much as light waves do. Light waves can be reflected, refracted, diffracted, and focused by other objects. The focusing of waves by antennas to make them more concentrated in a desired direction is comparable to a lens focusing light waves into a narrower beam. Understanding the optical nature of radio waves gives a better feel for how they are propagated over long distances.

Radio wave

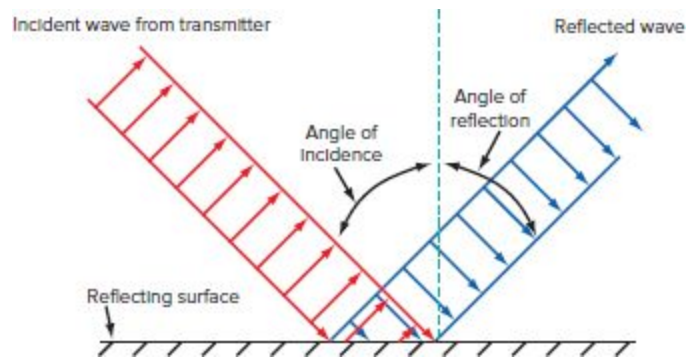
Reflection. Light waves are reflected by a mirror. Any conducting surface looks like a mirror to a radio wave, and so radio waves are reflected by any conducting surface they encounter along a propagation path. All metallic objects reflect radio waves, especially if the metallic object is at least one-half wavelength at the frequency of operation. Any metallic object on a transmission path, such as building

parts, water towers, automobiles, airplanes, and even power lines, causes some reflection. Reflection is also produced by other partially conductive surfaces, such as the earth and bodies of water.

Reflection

Radio wave reflection follows the principles of [page 563](#) light wave reflection. That is, the angle of reflection is equal to the angle of incidence, as shown in Fig. 16-34. The radio wave is shown as a wave front. To simplify the drawing, only the electrical lines of force, designated by arrows, are shown. The angle of incidence is the angle between the incoming line of the wave and a perpendicular line to the reflecting surface. The angle of reflection is the angle between the reflected wave and the perpendicular line.

Figure 16-34 How a conductive surface reflects a radio wave.



A perfect conductor would cause total reflection: All the wave energy striking the surface would be reflected. Since there are no perfect conductors in the real world, the reflection is never complete. But if the reflecting surface is a good conductor, such as copper or aluminum, and is large enough, most of the wave is reflected. Poorer conductors simply absorb some of the wave energy. In some cases, the wave penetrates the reflecting surface completely.

As Fig. 16-34 shows, the direction of the electric field approaching the reflecting surface is reversed from that leaving the surface. The reflection process reverses the polarity of a wave. This is equivalent to a 180° phase shift.

Refraction

Refraction. *Refraction* is the bending of a wave due to the physical makeup of the medium through which the wave passes. The speed of a radio wave, like the speed of light, is approximately 300,000,000 m/s (186,400 mi/s) in free space, i.e., in a vacuum or air. When light passes through another medium, such as water or glass, it slows down. The slowing down as light enters or exits a different medium causes the light waves to bend.

The same thing happens to a radio wave. As a radio wave travels through free space, it encounters air of different densities, the density depending on the degree of ionization (caused by an overall gain or loss of electrons). This change of air density causes the wave to be bent.

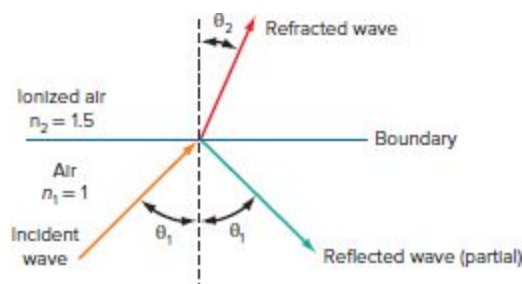
The degree of bending depends on the *index of refraction* of a medium n , obtained by dividing the speed of a light (or radio) wave in a vacuum and the speed of a light (or radio) wave in the medium that causes the wave to be bent. Since the speed of a wave in a vacuum is almost the same as the speed of a wave in air, the index of refraction for air is very close to 1. The index of refraction for any other medium will be greater than 1, with how much greater depending upon how much the wave speed is slowed.

Index of refraction

Fig. 16-35 shows how a wave is refracted. The incident wave from a transmitter travels through air, where it meets a region of ionized air that causes the speed of propagation to slow. The incident wave has an angle of θ_1 to a perpendicular to the boundary line between air and the ionized air. The bent (refracted) wave passes through the

ionized air; it now takes a different direction, however, which has an angle of θ_2 with respect to the perpendicular.

Figure 16-35 How a change in the index of refraction causes bending of a radio wave.



The relationship between the angles and the indices of refraction is given by a formula known as *Snell's law*:

Snell's law

$$n_1 \sin \theta_1 = n_2 \sin \theta_2$$

where n_1 = index of refraction of initial medium

n_2 = index of refraction of medium into which wave passes

θ_1 = angle of incidence

θ_2 = angle of refraction

Note that there will also be some reflection from the boundary between the two media because the ionization causes the air to be a partial conductor. However, this reflection is not total; a great deal of the energy passes into the ionized region.

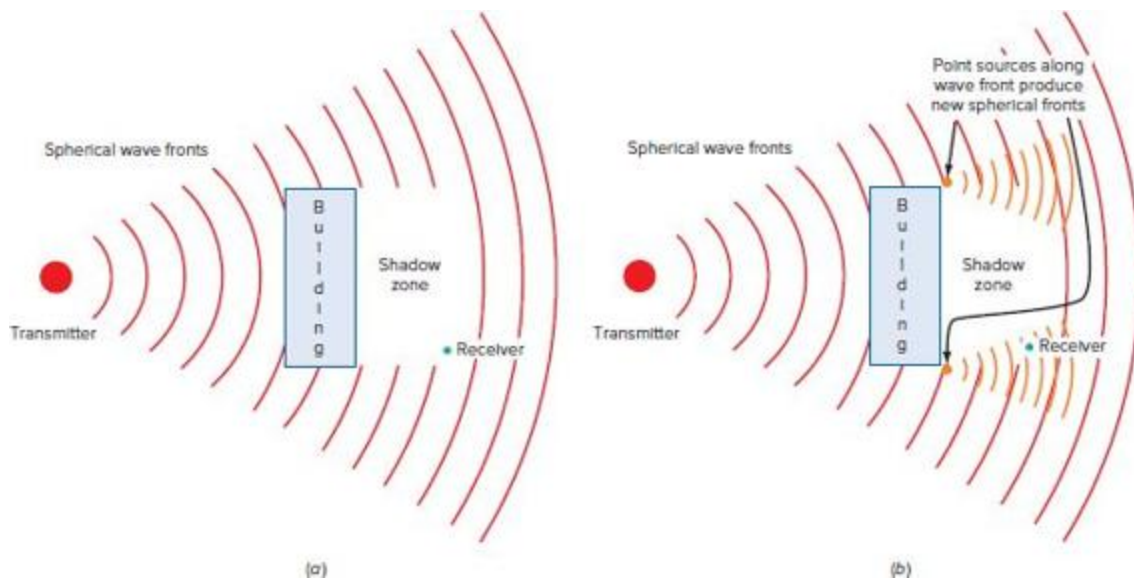
Diffraction. Remember that light and radio waves travel in a straight line. If an obstacle appears between a transmitter and receiver, some of the signal is blocked, creating what is known as a *shadow zone* [Fig. 16-36(a)]. A receiver located in the shadow zone cannot receive a complete signal. However, some signal usually gets through due to the phenomenon of *diffraction*, the bending of waves around an object. Diffraction is explained by what is known as

Huygens' principle. Huygens' principle is based on the assumption that all electromagnetic waves, light as well as radio waves, radiate as spherical wave fronts from a source. Each point on a wave front at any given time can be considered as a point source for additional spherical waves. When the waves encounter an obstacle, they pass around it, above it, and on either side. As the wave front passes the object, the point sources of waves at the edge of the obstacle create additional spherical waves that penetrate and fill in the shadow zone. This phenomenon, sometimes called *knife-edge diffraction*, is illustrated in Fig. 16-36(b).

Diffraction

Huygens' principle

Figure 16-36 Diffraction causes waves to bend around obstacles.



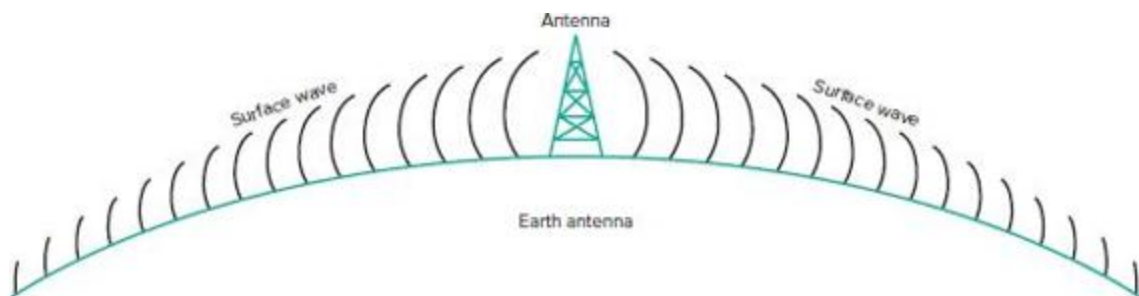
Radio Wave Propagation Through Space

The three basic paths that a radio signal can take through space are the ground wave, the sky wave, and the space wave.

Ground Waves. *Ground or surface waves* leave an antenna and remain close to the earth (see Fig. 16-37). Ground waves actually follow the curvature of the earth and can, therefore, travel at distances beyond the horizon. Ground waves must have vertical polarization to be propagated from an antenna. Horizontally polarized waves are absorbed or shorted by the earth.

Ground wave

Figure 16-37 Ground or surface wave radiation from an antenna. page 565



Ground wave propagation is strongest at the low- and medium-frequency ranges. That is, ground waves are the main signal path for radio signals in the 30-kHz to 3-MHz range. The signals can propagate for hundreds and sometimes thousands of miles at these low frequencies. AM broadcast signals are propagated primarily by ground waves during the day and by sky waves at night.

The conductivity of the earth determines how well ground waves are propagated. The better the conductivity, the less the attenuation and the greater the distance the waves can travel. The best propagation of ground waves occurs over salt water because the water is an excellent conductor. Conductivity is usually lowest in low-moisture areas such as deserts.

At frequencies beyond 3 MHz, the earth begins to attenuate radio signals. Objects on the earth and features of the terrain become the same order of magnitude in size as

the wavelength of the signal and thus absorb or adversely affect the signal. For this reason, the ground wave propagation of signals above 3 MHz is insignificant except within several miles of the transmitting antenna.

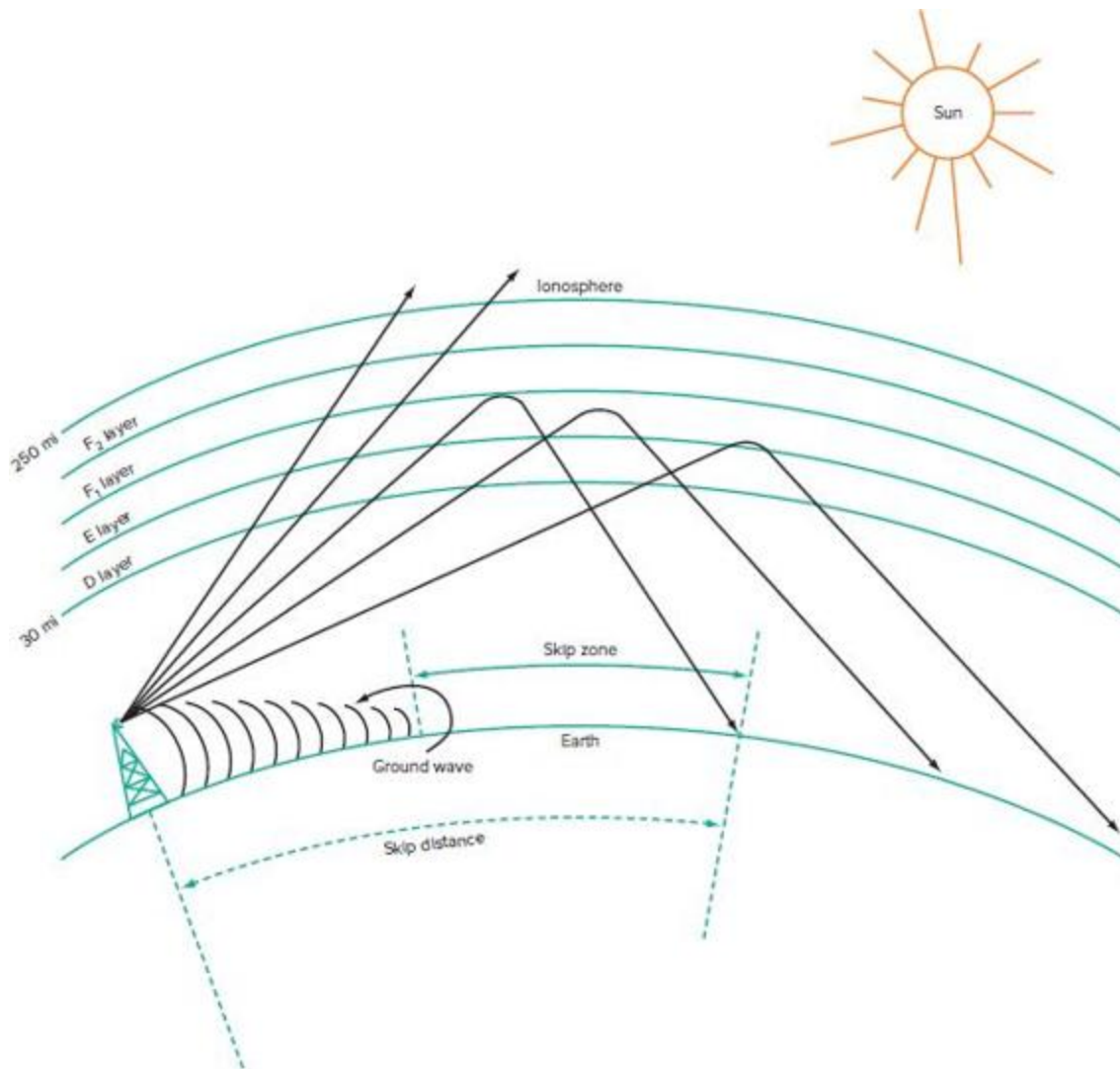
Sky wave

Sky Waves. Sky wave signals are radiated by the antenna into the upper atmosphere, where they are bent back to earth. This bending of the signal is caused by refraction in a region of the upper atmosphere known as the *ionosphere* (see Fig. 16-38). Ultraviolet radiation from the sun causes the upper atmosphere to *ionize*, i.e., to become electrically charged. The atoms take on or lose electrons, becoming positive or negative ions. Free electrons are also present. At its lowest point, the ionosphere is approximately 30 mi (50 km) above the earth and extends as far as 250 mi (400 km) from the earth. The ionosphere is generally considered to be divided into three layers, the *D layer*, the *E layer*, and the *F layer*; the F layer is subdivided into the F_1 and F_2 layers.

Ionosphere

D layer

E layer



The D and E layers, the farthest from the sun, are weakly ionized. They exist only during daylight hours, during which they tend to absorb radio signals in the medium-frequency range from 300 kHz to 3 MHz.

F layer

The F_1 and F_2 layers, the closest to the sun, are the most highly ionized and have the greatest effect on radio signals. The F layers exist during both day and night.

The primary effect of the F layer is to cause refraction of radio signals when they cross the boundaries between layers of the ionosphere with different levels of ionization.

When a radio signal goes into the ionosphere, the different levels of ionization cause the radio waves to be gradually bent. The direction of bending depends on the angle at which the radio wave enters the ionosphere and the different degrees of ionization of the layers, as determined by Snell's law.

Fig. 16-38 shows the effects of refraction with page 567 different angles of radio signals entering the ionosphere. When the angle is large with respect to the earth, the radio signals are bent slightly, pass on through the ionosphere, and are lost in space. Radiation directly vertical from the antenna, or 90° with respect to the earth, passes through the ionosphere. As the angle of radiation decreases from the vertical, some signals continue to pass through the ionosphere. But at some critical angle, which varies with signal frequency, the waves begin to be refracted back to the earth. The smaller the angle with respect to the earth, the more likely it is that the waves will be refracted and sent back to earth. This effect is so pronounced that it actually appears as though the radio wave has been reflected by the ionosphere.

GOOD TO KNOW

AM broadcast signals are propagated primarily by ground waves during the day and by sky waves at night.

In general, the higher the frequency, the smaller the radiation angle required for refraction to occur. At very high frequencies, essentially those above about 50 MHz, refraction seldom occurs regardless of the angle. VHF, UHF, and microwave signals usually pass through the ionosphere without bending. However, during a period of sunspot activity, or other unusual electromagnetic phenomena, VHF and even UHF waves may be refracted by the ionosphere.

Reflected radio waves are sent back to earth with minimum signal loss. The result is that the signal is propagated over an extremely long distance. This effect is most pronounced in the 3- to 30-MHz or shortwave range, which permits extremely long distance communication.

In some cases, the signal reflected back from the ionosphere strikes the earth, is reflected back up to the ionosphere, and is re-reflected back to earth. This phenomenon is known as *multiple-skip* or *multiple-hop* transmission. For strong signals and ideal ionospheric conditions, as many as 20 hops are possible. Multiple-hop transmission can extend the communication range by many thousands of miles. The maximum distance of a single hop is about 2000 mi, but with multiple hops, transmissions all the way around the world are possible.

The distance from the transmitting antenna to the point on earth where the first refracted signal strikes the earth to be reflected is referred to as the *skip distance* (see Fig. 16-38). If a receiver lies in that area between the place where the ground wave is fully attenuated and the point of first reflection from the earth, no signal will be received. This area is called the *skip zone*.

Skip distance

Skip zone

Space Waves. The third method of radio signal propagation is by *direct waves*, or *space waves*. A direct wave travels in a straight line directly from the transmitting antenna to the receiving antenna. Direct wave radio signaling is often referred to as *line-of-sight communication*. Direct or space waves are not refracted, nor do they follow the curvature of the earth.

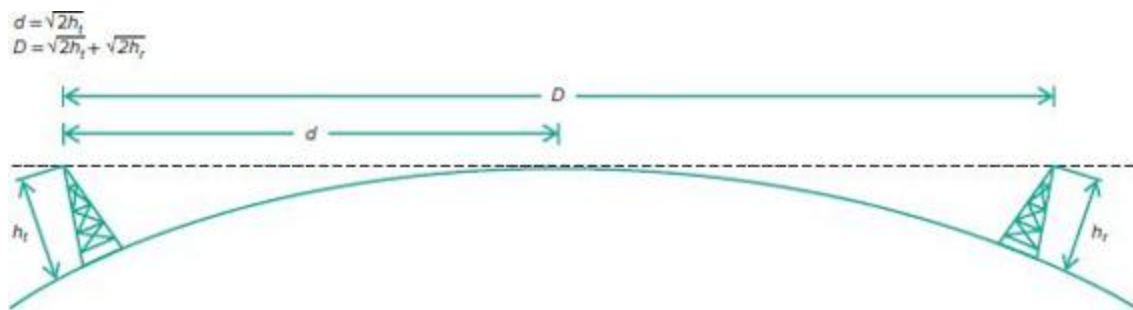
Direct waves

Space wave

Line-of-sight communication

Because of their straight-line nature, direct wave signals travel horizontally from the transmitting antenna until they reach the horizon, at which point they are blocked, as shown in Fig. 16-39. If a direct wave signal is to be received beyond the horizon, the receiving must be high enough to intercept it.

Figure 16-39 Line-of-sight communication by direct or space waves.



GOOD TO KNOW

Repeaters are widely used to increase the communication range for mobile and handheld radio units.

Obviously, the practical transmitting distance with direct waves is a function of the height of the transmitting and receiving antennas. The formula for computing the distance between a transmitting antenna and the horizon is

$$d = \sqrt{2h_t}$$

where h_t = height of transmitting antenna, ft
 d = distance from transmitter to horizon, mi

This is called the *radio horizon*.

Radio horizon

To find the practical transmission distance D for straight-line wave transmissions, the height of the receiving antenna must be included in the calculations:

$$D = \sqrt{2h_t} + \sqrt{2h_r}$$

where h_r = height of receiving antenna, ft. For example, if a transmitting antenna is 350 ft high and the receiving antenna is 25 ft high, the longest practical transmission distance is

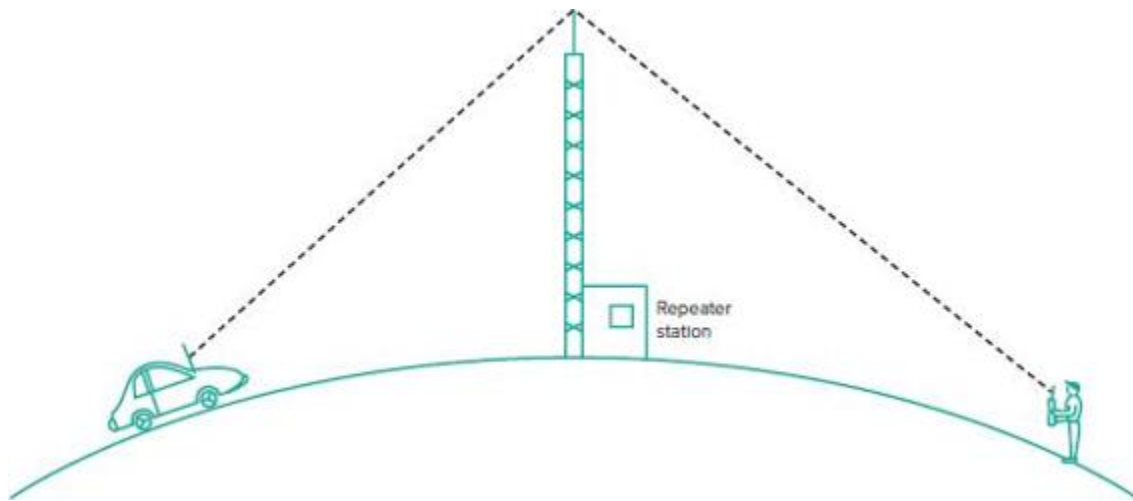
$$D = \sqrt{2(350)} + \sqrt{2(25)} = \sqrt{700} + \sqrt{50} = 26.46 + 7.07 = 33.53 \text{ mi}$$

Line-of-sight communication is characteristic of page 568 most radio signals with a frequency above approximately 30 MHz, particularly VHF, UHF, and microwave signals. Such signals pass through the ionosphere and are not bent. Transmission distances at those frequencies are extremely limited, and it is obvious why very high transmitting antennas must be used for FM and TV broadcasts. The antennas for transmitters and receivers operating at the very high frequencies are typically located on top of tall buildings or on mountains, which greatly increases the range of transmission and reception.

To extend the communication distance at VHF, UHF, and microwave frequencies, special techniques have been adopted. The most important of these is the use of repeater stations (see Fig. 16-40). A *repeater* is a combination of a receiver and a transmitter operating on separate frequencies. The receiver picks up a signal from a remote transmitter, amplifies it, and retransmits it (on another frequency) to a remote receiver. Usually the repeater is located between the transmitting and receiving stations, and therefore it extends the communication distance. Repeaters have extremely sensitive receivers and high-power transmitters, and their antennas are located at high points.

Repeater

Figure 16-40 How a repeater extends the communication distance of mobile radio units at VHF and UHF.



Repeaters are widely used to increase the communication range for mobile and handheld radio units, the antennas for which are naturally not very high off the ground. The limited transmitting and receiving range of such units can be extended considerably by operating them through a repeater located at some high point.

In high-activity areas, a repeater used for mobile page 569 units will become overloaded when too many users try to access it at the same time. When that happens, some users have to wait until free time becomes available, continuing to call until they get through. Such access delays are only a nuisance in some cases, but are clearly not acceptable when emergency services are unable to get through.

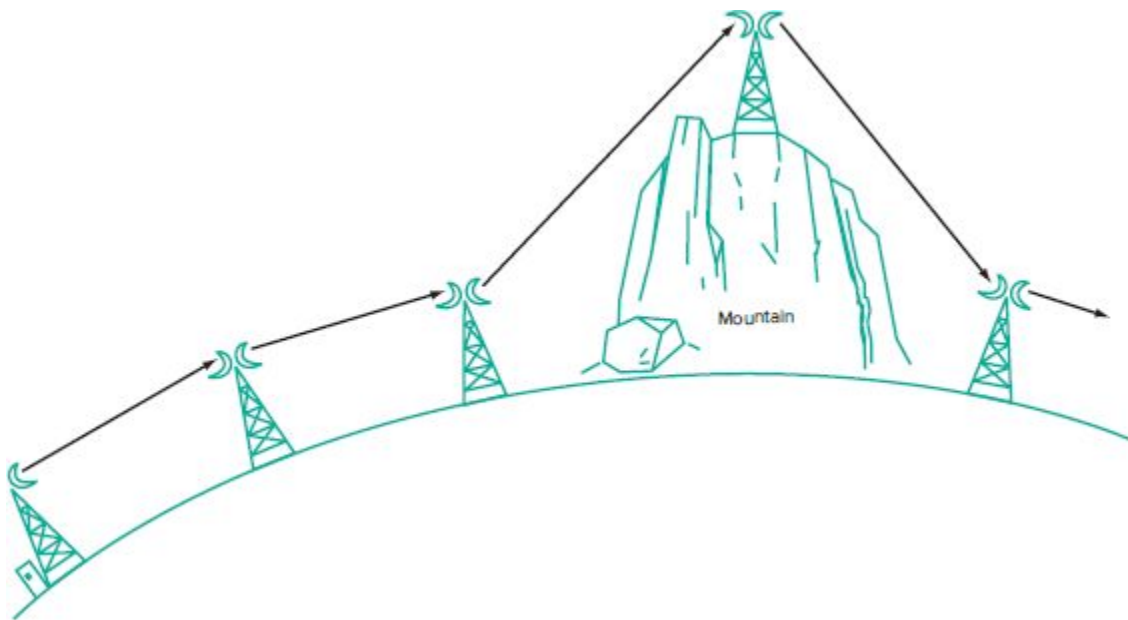
Although multiple repeaters can be used to ease overcrowding, they are often inadequate because communication activity is not equally distributed among them. This problem is solved by using *trunked repeater systems* in which two or more repeaters are under the control of a computer system that can transfer a user from an assigned but busy repeater to another, available

repeater. Thus the communication load is spread around between several repeaters.

Trunked repeater systems

Repeaters can also be used in series, as shown in Fig. 16-41. Each repeater contains a receiver and a transmitter. The original signal is picked up, amplified, and retransmitted on a different frequency to a second repeater, which repeats the process. Typically, such relay stations are located 20 to 60 mi apart, mostly at high elevations to ensure reliable communication over very long distances. Microwave relay stations are used by many telephone companies for long-distance communication.

Figure 16-41 Using repeater stations to increase communication distances at microwave frequencies.



The “ultimate” repeater is, of course, a *communication satellite*. Most communication satellites are located in a geostationary orbit 22,500 mi above the equator. Since at that distance it takes exactly 24 h to rotate around the earth, communication satellites appear stationary. They act

as fixed repeater stations. Signals sent to a satellite are amplified and retransmitted to earth long distances away. The receiver-transmitter combination within the satellite is known as a *transponder*. Most satellites have many transponders, so that multiple signals can be relayed, making possible worldwide communication at microwave frequencies. (See Chap. 19.)

Communication satellite

Transponder

Calculating Received Power

A transmitted signal is radiated at a specific power level. The output power of a transmitter can be accurately determined by calculation or measurement. That power level is increased if the antenna has gain because of improved directivity. As a signal leaves an antenna, it immediately begins to become attenuated. Basically, the degree of attenuation is proportional to the square of the distance between the transmitter and receiver. As discussed previously, other factors also affect attenuation. Ground wave signals are greatly attenuated by objects on the earth, which block the signals and reduce their level at the receiver. In sky wave propagation, the ionospheric conditions and the number of hops determine the signal level at the receiver, with each hop further reducing the signal level. Space wave signals are simply absorbed and attenuated by objects in their path such as trees or walls.

Despite these factors, it is possible to predict the page 570 approximate power level at a receiver, and such calculations are quite accurate for the short distances characteristic of direct or space wave transmission.

In analyzing the transmission of radio waves, it is often useful to start with the concept of an isotropic radiator, or

point source of radio waves. That is, the signal radiates spherically in all directions. The power density at a given distance from an isotropic radiator is predicted by the formula

$$P_d = \frac{P_t}{4\pi d^2}$$

where P_d = power density of signal, W/m²
 d = distance from point source, m
 P_t = total transmitted power, W

The distance d is really the radius of an imaginary sphere enclosing the source, and $4\pi d^2$ is the area of that sphere at any given distance. However, since practical antennas are not purely isotropic sources, this formula must be modified somewhat. For example, if the transmitting antenna is a dipole, the dipole has a gain of 1.64 (or 2.15 dB) over an isotropic source, so the result must be multiplied by 1.64.

Suppose a transmitter puts a 50-W signal into a dipole antenna. The power density of the signal at a distance of 30 mi (48.3 km, or 48,300 m) is

$$\begin{aligned} P_d &= \frac{1.64P_t}{4\pi d^2} = \frac{1.64(50)}{4(3.1416)(48,300)^2} \\ &= 3 \times 10^{-9} = 3 \text{ nW/m}^2 \end{aligned}$$

Knowing the power density at a given distance is not a particularly useful thing. However, the formula for power at a given distance can be expanded to derive a general formula for computing the actual power value of a signal at a receiving antenna:

$$P_r = \frac{P_t G_t G_r \lambda^2}{16\pi^2 d^2}$$

where λ = signal wavelength, m
 d = distance from transmitter, m
 P_r, P_t = received and transmitted power, respectively
 G_r, G_t = receiver and transmitter antenna gains expressed as a power ratio and referenced to an isotropic source

If the gains are those in reference to a dipole, each must be converted to a power ratio and multiplied by 1.64 before being used in the formula.

This formula is normally used only for ground page 571 wave, direct wave, or space wave calculations. It is not used for sky wave signal predictions because the refraction and reflection that occur make predictions highly inaccurate.

As an example, assume that a transmitter is operating at 150 MHz with a power of 3 W into a one-quarter wavelength vertical antenna. The receiver, which is 20 mi (32.2 km or 32,200 m) away, has an antenna with a gain of 8 dB. What is the received power?

The wavelength at 150 MHz is $\lambda = 300/f = 300/150 = 2$ m. The gain of the quarter-wave vertical transmitting antenna is the same as that for a dipole. With a dipole gain of 1, we must multiply this by 1.64 to get the gain over an isotropic source.

The gain of the receiving antenna is 8 dB. The gain is usually expressed as the gain over a dipole. To convert to gain with respect to an isotropic source, we add 2.15 dB. This is the same as multiplying the power ratio represented by the gain in decibels by 1.64. The result is $8 + 2.15 = 10.15$ dB.

This must now be converted to an actual power ratio. Since $\text{dB} = 10 \log (P_{\text{out}}/P_{\text{in}})$, where P_{in} and P_{out} are the input and output power of the antenna, respectively,

$$\frac{P_{\text{out}}}{P_{\text{in}}} = \log^{-1} \left(\frac{\text{dB}}{10} \right) = \log^{-1} \left(\frac{10.15}{10} \right) = \log^{-1}(1.015) = 10.35$$

The received power can now be calculated.

$$\begin{aligned} P_r &= \frac{3(1.64)(10.35)(2)^2}{16(9.87)(32,200)^2} = \frac{203.7}{16.37 \times 10^{+10}} \\ &= 1.24 \times 10^{-9} \text{ W or } 1.24 \text{ nW} \end{aligned}$$

If the receiver antenna, transmission line, and front-end input impedance are $50\ \Omega$, we can calculate the input voltage, given this input power. Since $P = V^2/R$, $V = \sqrt{PR}$. Substituting into $V = \sqrt{PR}$ gives

$$V = \sqrt{(1.24 \times 10^{-9})(50)} = 2.5 \times 10^{-4} = 250\ \mu\text{V}$$

This is a relatively strong signal; most good narrowband receivers can generate full intelligible output with $1\ \mu\text{V}$ or less.

Path attenuation

Path Attenuation. Another way to predict received power is to estimate the total power attenuation over a transmission path. This attenuation in decibels is given by

$$\text{dB loss} = 37\ \text{dB} + 20\ \log f + 20\ \log d$$

where f = frequency of operation, MHz
 d = distance traveled, mi

The distance can also be given in kilometers, in which case the 37-dB figure must be changed to 32.4 dB. Isotropic antennas are assumed.

The attenuation over a 20-mi path at a frequency of 150 MHz is

$$\text{dB loss} = 37 + 20\ \log 150 + 20\ \log 20 = 37 + 43.52 + 26 = 106.52$$

The dB loss formula, then, tells us that for every doubling of the distance between transmitter and receiver, the attenuation increases about 6 dB.

Common Propagation Problems

Although radio waves pass right through most objects on their way from transmitter to receiver, they are negatively

influenced by these objects. The result is a common problem called *fading*. Good design of a communication system can minimize but not completely eliminate fading. One way to overcome fading is to use a diversity system.

Fading

Fading. One of the primary effects of radio wave propagation is called fading. Fading is the variation in signal amplitude at the receiver caused by the characteristics of the signal path and changes in it. Fading causes the received signal to vary in amplitude, typically making it smaller. Under some conditions, the received signal may actually be larger than a direct path signal depending upon the specific communication situation. Fading is caused by four factors: variation in distance between transmitter and receiver, changes in the environmental characteristics of the signal path, the presence of multiple signal paths, and relative motion between the transmitter and the receiver.

As a receiver gets farther away from a transmitter, the signal gets weaker just because the path length is increasing. If the receiver moves closer to the transmitter, the signal strength increases. Both types of situations occur when one or perhaps both of the transceivers are moving with respect to the other. It is especially noticeable in airplanes and in cars. This type of fading is generally gradual and does not result in severe or rapid swings in signal amplitude.

Fading is also caused by objects coming between page 572 the transmitter and the receiver. Known as *shadow fading*, this occurs if a vehicle containing a transceiver moves in such a way that a large building or a mountain comes between it and a base station transceiver. The obstacle causes the signal to be attenuated, resulting in fading. When a car enters a tunnel, the signal may be greatly attenuated so that fading occurs. Even the

movement of a rainstorm or snowstorm between transmitter and receiver can cause fading. Weather-related effects are especially pronounced at the higher microwave frequencies, where the signal wavelengths are in the same size range as the raindrops or snowflakes that produce massive signal scattering by reflection.

Shadow fading

Multipath. One of the worst sources of fading is *multipath interference*. Sometimes called *Rayleigh fading*, this type of fading occurs when a transmitted signal takes multiple paths to the receiver because of reflections. The term *Rayleigh* refers to a particular type of statistical response curve that mathematically describes the variation of the received signal. As you saw earlier in this chapter, radio signals are easily reflected by conducting objects. The signal is usually radiated by a nondirectional antenna over a wide horizontal range in such a way that it will strike the receiver antenna directly by way of the direct line-of-sight space wave, but it may also strike many obstacles along the way. Buildings, water towers, hills and mountains, and even moving vehicles all have reflected surfaces that will direct a signal along a separate path to the receiving antenna. The signal may also be reflected from the ground or water. The result is that multiple signals reach the receiver antenna at different times.

Multipath interference

Rayleigh fading

Reflected signals take a longer path than a direct signal, so they are delayed and arrive at the antenna later than the direct signal. This time delay is seen as a phase shift whose magnitude is a function of the total signal path distance and the wavelength (frequency) of the signal. Keep in mind that as you saw earlier in the chapter, reflections produce a 180° phase shift that worsens the problem. The receiver sees a composite of all the received signals. The phase shifts are usually such that they cancel the direct path signal, resulting in an overall weaker signal. But the delays could also be such that the reflected signals arrive in phase with the direct signal, thereby causing the signals to add in phase and actually produce a higher-level signal.

Another type of fading is caused by movement of either the transmitter or the receiver. When the transmitter is in a car, plane, or other vehicle, rapid movement toward or away from the receiver introduces a signal frequency change called a *Doppler shift* (to be described in Chap. 18). Movement that causes the transmitter and the receiver to get closer to each other causes the signal frequency to increase. Movement that increases the distance causes a frequency decrease. Large signal-frequency changes produce lower-level signals because the signals are partially out of the passband of the receiver's selective filters. In digital systems that predominantly use some form of phase-shift modulation, the Doppler shift confuses the demodulator and produces bit errors.

In most cases, several types of fading occur simultaneously. Multipath fading and shadow fading are the worst offenders. If you have ever used a cell phone from a moving car in a changing environment, you know that fading can cause significant signal variations, including no service at all. Using a cell phone or radio in a large city with many tall buildings produces extreme multipath interference and shadow fading. Using cell phones or other wireless equipment inside a building essentially does the same.

When digital communication is involved, multipath fading can cause intersymbol interference. If high-speed data transmission is used, the symbols are short, and multipath delays may be of the same order of magnitude. A symbol received directly may be different from a symbol received from a reflected source. The result is severe bit errors.

Although fading can occur on signals of any frequency, it is most pronounced in UHF and microwave communication, where the signal wavelengths are very short compared to the path distances and size of reflective surfaces. Fading is a significant problem with cell phones and other radio equipment especially when one or more of the transceivers are in motion. Fading is also a problem in long-distance shortwave communication when the signal can take several bounces off the ionosphere and the earth to produce canceling or reinforcing signals. Fading signal variations can be only a few decibels or as much as 20 to 30 dB. A significant amount of fading can make communication unreliable.

Example 16-5

A 275-ft-high transmitting antenna has a gain of 12 dB over a dipole. The receiving antenna, which is 60 ft high, has a gain of 3 dB. The transmitter power is 100 W at 224 MHz. Calculate (a) the maximum transmitting distance and (b) the received power at the distance calculated in part (a). (There is 1.61 km/mi.)

$$\begin{aligned}
 \text{a. } D &= \sqrt{2h_t} + \sqrt{2h_r} \\
 &= \sqrt{2(275)} + \sqrt{2(60)} = \sqrt{550} + \sqrt{120} \\
 &= 23.45 + 10.95 = 34.4 \text{ mi} \\
 34.4 \text{ mi} &\times 1.61 \text{ km/mi} = 55.4 \text{ km} \\
 55.4 \text{ km} &\times 1000 = 55,400 \text{ m} \\
 \text{b. } P_r &= \frac{P_t G_t G_r \lambda^2}{16\pi^2 d^2} \\
 &= 100 \text{ W} \\
 G_t &= 12 \text{ dB over dipole} \\
 &= 12 \text{ dB} + 2.15 \text{ dB} \\
 &= 14.15 \text{ dB} \\
 \text{dB} &= 10 \log \frac{P_{\text{out}}}{P_{\text{in}}} \\
 \frac{P_{\text{out}}}{P_{\text{in}}} &= \log^{-1} \left(\frac{\text{dB}}{10} \right) = \log^{-1} \left(\frac{14.15}{10} \right) = \log^{-1}(1.415) \\
 &= 26 \\
 G_t &= 26 \\
 G_r &= 3 \text{ dB} + 2.15 \text{ dB} = 5.15 \text{ dB} \\
 \frac{P_{\text{out}}}{P_{\text{in}}} &= \log^{-1} \left(\frac{5.15}{10} \right) = \log^{-1}(0.515) = 3.27 \\
 G_r &= 3.27 \\
 \lambda &= \frac{300}{f} = \frac{300}{224} = 1.34 \text{ m} \\
 \lambda^2 &= (1.34)^2 = 1.8 \\
 P_r &= \frac{100(26)(3.27)(1.8)}{16(3.14)^2(55,400)^2} \\
 &= \frac{15,303.6}{4.85 \times 10^{11}} = 3.16 \times 10^{-8} = 31.6 \text{ nW}
 \end{aligned}$$

To overcome fading, most communication systems have a built-in fading margin. That is, they have a high enough transmitter power and sufficient receiver sensitivity to ensure that the weaker reflective signals do not degrade the direct signal as much. A fade margin of at least 5 dB is built into most systems.

Multipath fading can also be greatly minimized by using highly directive antennas, at the transmitter or at the receiver or at both. Narrow transmit and receive beams

virtually eliminate multiple paths and the related fading. However, in most communication systems, nondirectional (i.e., omnidirectional) antennas are the norm. Cell phones, two-way radios, and even base stations must have broad azimuth coverage to receive or transmit signals over a wide area.

Broadband signals are much less sensitive to page 574 multipath fading than narrowband signals are. If broadband methods such as spread spectrum (CDMA) or OFDM are used, the signals are spread over a very wide frequency range. Multiple reflections of signals over a wide range of frequencies are received in such a way that less cancellation or intersymbol interference occurs. This is a major factor in designing new communication systems where fading is expected.

Diversity system

Diversity System. Fading can also be minimized by using what is called a *diversity system*. A diversity system uses multiple transmitters, receivers, or antennas to mitigate the problems caused by multipath signals. Two common types of diversity are frequency and spatial. With frequency diversity, two separate sets of transmitters and receivers operating on different frequencies are used to transmit the same information simultaneously. The theory is that signals on different frequencies will react differently to the various fading mechanisms, thereby resulting in at least one reliably received signal. To be effective, the frequencies should be widely spaced from one another. Of course, such systems are very expensive since they require two transmitters, receivers, and antennas, all on different frequencies. The scarcity of frequency spectrum also makes this type of system impractical. It is rarely used except in cases where extreme reliability is a must.

Another more widely used form of diversity is called *space* or *spatial diversity*. It uses two receiver antennas spaced as far apart as possible to receive the signals. Diversity systems are used mainly at base stations rather than in portable or handheld units. The basic idea is that antennas at slightly different locations will receive different variations of the signals, with one being better than another. The spacing may be horizontal or vertical, whichever is the more convenient. However, in some cases one arrangement will be superior to the other.

Spatial diversity

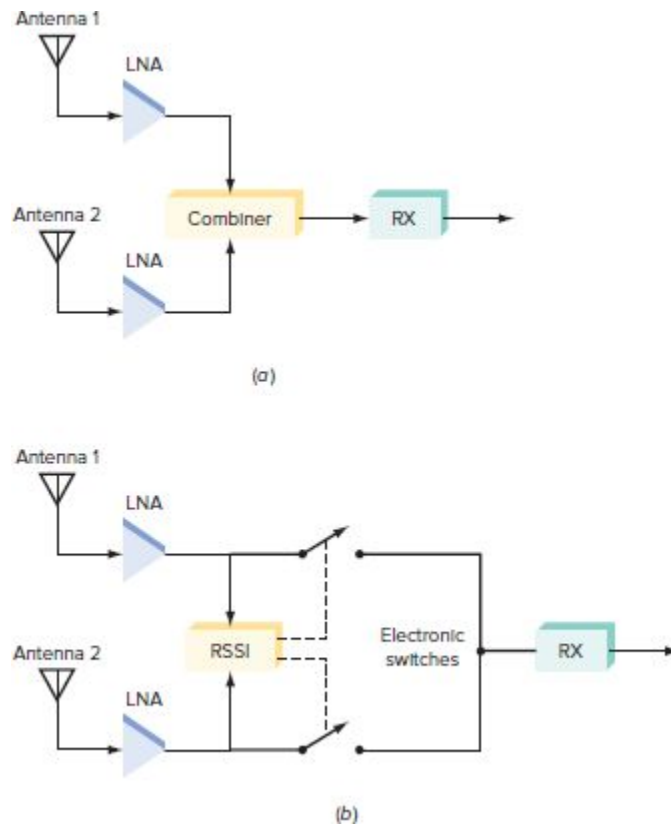
Diversity reception is particularly difficult at shortwave frequencies, where the spacing will typically be many hundreds or even thousands of feet. Only horizontal spacing is used. At UHF and microwave frequencies, wide antenna spacing is relatively simple because the wavelengths are short. In general, the wider the spacing (10 or 20 wavelengths or more), the better. Many systems use the relationship $h/d = 11$ to determine a minimum and, as it turns out, optimum spacing for antennas. In this relationship, h is the height of the antenna and d is the spacing distance. For antennas that are 100 ft high, the minimum spacing would be

$$\frac{100}{d} = 11$$
$$d = \frac{100}{11} = 9.09 \text{ ft}$$

Fig. 16-42(a) shows a typical spatial diversity system. The two antennas feed a combiner network, where the two signals are linearly added. The result is a larger signal and minimized fading effects. The signals may be combined at the antenna or almost anywhere in the receiver. Some systems combine after the LNAs. Others combine after the IF. In still other systems, two completely separate receivers

are used and the signals are combined after demodulation. Experimentation is required to determine the best results.

Figure 16-42 Common diversity reception systems. (a) Signals are combined for maximum output. (b) Only the strongest signal is switched to the receiver.



Another form of spatial diversity is selective or switched diversity. In this system, shown in Fig. 16-42(b), the two antennas feed separate LNAs whose outputs are monitored by circuits that measure received signal strength. In cell phone systems, these circuits are called *received signal strength indicators (RSSIs)*. They determine the signal with the greatest strength and switch that signal to the remainder of the receiver circuits. All this is done automatically at high speed, ensuring that the receiver always has the strongest signal.

Received signal strength indicators (RSSIs)

Diversity systems are widely used in the newer cell phone systems and in wireless LANs that work indoors and, in some cases, with mobile wireless units (laptop computers, tablets, etc.) that are frequently in motion. New techniques such as multiple-input, multiple-output (MIMO), and smart (adaptive) antennas are now being used to further improve transmission in multipath environments. These techniques will be covered in Chap. 18.

More Antennas. The antennas covered in this [page 575](#) chapter are primarily for the lower frequencies, below about 500 MHz. Antennas for the microwave and millimeter-wave frequencies are covered in Chap. 18.

CHAPTER REVIEW

Online Activity

16-1 Other Low-Band Antennas

Objective: Investigate the loop antenna.

Procedure: Perform an Internet search on the term *loop antenna*. Seek out books or other sources for information on loop antennas. Answer the questions below.

Questions:

1. What is the impetus for the loop antenna?
2. Describe a loop antenna for a frequency of 20 MHz.
3. What is the size of the circumference of a typical loop?
4. Can loop antennas function at low frequencies?

16-2 Antenna Modeling

Objective: Investigate the process of antenna modeling and the software used to do it.

Procedure:

1. Search on the terms *antenna modeling* or *antenna simulation and design*.
2. Search on the name EZNEC.
3. Answer the questions below.

Questions:

1. Explain what antenna modeling is.
2. How is antenna modeling accomplished?
3. What is EZNEC?
4. Are there any alternatives to EZNEC? What?

16-3 Discovering Near Vertical Incidence Skywave

Objective: Learn about the effect and potential of near vertical incidence skywave (NVIS) propagation.

Procedure: Perform an Internet search on the terms *near vertical incidence skywave*, or *NVIS* and look for answers to the following questions.

Questions:

1. What is NVIS?
2. At what frequencies does NVIS occur?
3. What problem does NVIS solve?
4. What type of antenna is used to achieve NVIS?
5. Can a vertical antenna be used for NVIS?
6. Name two common NVIS applications.

Questions

- 1.** What is the basic makeup of a radio wave?
- 2.** What is the name of the mathematical expressions that describe the behavior of electromagnetic waves? Give a general statement regarding what these expressions state.
- 3.** Describe the relationship between the types of fields that make up a radio wave. What is the orientation of these fields with respect to the transmission direction of the wave?
- 4.** What part of a radio wave determines its polarization with respect to the earth's surface?
- 5.** What is the polarization of a radio wave with a magnetic field that is horizontal to the earth?
- 6.** Define what is meant by antenna reciprocity.
- 7.** What is the name of the antenna type upon which most other antennas are based? What is the length of this antenna in terms of wavelength at the operating frequency?
- 8.** What is the most commonly used medium for connecting an antenna to a transmitter or receiver?
- 9.** What is the length of a dipole?
- 10.** State the theoretical radiation resistance or drive impedance of a dipole.
- 11.** What factors affect the impedance of a dipole and how?
- 12.** What is the equivalent circuit of a dipole at resonance, above resonance, and below resonance?
- 13.** What factors influence antenna bandwidth?
- 14.** Describe the horizontal radiation pattern of a dipole. What is the three-dimensional shape of a dipole radiation pattern?
- 15.** Define what is meant by directivity in an antenna.
- 16.** What unit is used to state and measure an antenna's directivity?
- 17.** Define antenna gain. What gives an antenna gain?
- 18.** What is an isotropic radiator?

- 19.** What gain does a dipole have over an isotropic radiator?
- 20.** State two ways to express antenna gain.
- 21.** Define ERP.
- 22.** What is a folded dipole? What are its advantages over a standard dipole?
- 23.** What two names are used to refer to a one-quarter wavelength vertical antenna?
- 24.** What is the horizontal radiation pattern of a one-quarter wavelength vertical antenna?
- 25.** What term describes an antenna that radiates equally well in all horizontal directions?
- 26.** What must a one-quarter wavelength vertical antenna have for proper operation, in addition to a vertical conductor radiator?
- 27.** What is the name of a group of conductors connected to the transmission line at the base of some vertical antennas?
- 28.** Name the most commonly used type of transmission line for one-quarter wavelength vertical antennas.
- 29.** What term describes the directivity of an antenna that transmits or receives equally well in two opposite directions?
- 30.** What is a unidirectional antenna?
- 31.** Why does a directional antenna amplify a signal?
- 32.** What physical attributes must an antenna have to exhibit gain and directivity?
- 33.** Name the two basic classes of antenna arrays.
- 34.** Name the three basic elements in a Yagi antenna.
- 35.** Name the two parasitic elements in a Yagi beam antenna.
- 36.** What is the upper limit on the number of directors that a Yagi can have?
- 37.** What is the typical beam width range of a Yagi antenna?
- 38.** State two factors that affect the beam width of a Yagi.

- 39.** Define the term *front-to-back* ratio as it applies to a Yagi.
- 40.** True or false? A Yagi can be operated with either horizontal or vertical polarization.
- 41.** Which polarization is the more common for a page 577 Yagi?
- 42.** Name the way that the gain and directionality of a Yagi is increased.
- 43.** Describe the radiation pattern of a collinear driven array.
- 44.** Does the collinear array have gain over a dipole?
- 45.** What is the name of a popular wideband driven array with a unidirectional radiation pattern?
- 46.** State one major benefit of a log-periodic antenna over other types of driven arrays.
- 47.** What is the most common value of antenna input/output impedance for modern transmitters and receivers?
- 48.** Why is impedance matching necessary in some antenna installations?
- 49.** What is the name of a type of transformer used for impedance matching in antenna installations?
- 50.** What do you call a one-quarter wavelength section of transmission line that is used for impedance matching between antenna and transmission line?
- 51.** What is the impedance-matching ratio of a coaxial balun?
- 52.** Describe how an antenna tuner works.
- 53.** What is the usual procedure for adjusting an antenna tuner?
- 54.** What are the requirements for the reflection of a radio signal?
- 55.** Will a vertically polarized radio wave be received by a horizontally polarized antenna?

- 56.** What is circular polarization? State the two types of circular polarization.
- 57.** Will horizontally and vertically polarized antennas pick up circularly polarized signals?
- 58.** What is refraction as it refers to radio waves? What causes refraction of radio waves?
- 59.** What is diffraction as it refers to radio waves? Is diffraction harmful or advantageous in radio communication?
- 60.** Name the three paths that a radio signal can take through space.
- 61.** What two names are used to refer to a radio wave that propagates near the surface of the earth? Are they vertically or horizontally polarized?
- 62.** What is the frequency range of signals that propagate best over the surface of the earth?
- 63.** State the name of the radio wave that is refracted by the ionosphere.
- 64.** What is the frequency range of signals that propagate best by ionospheric refraction?
- 65.** What is the ionosphere? How is it different from atmospheric layers that are closer to the earth? Why does it differ?
- 66.** What layer of the ionosphere has the greatest effect on a radio signal?
- 67.** True or false? The ionosphere acts as a mirror, reflecting radio waves back to earth.
- 68.** What phenomenon of propagation makes worldwide radio communication possible?
- 69.** What factors determine whether a radio wave is refracted by the ionosphere or passes through to outer space?
- 70.** What do you call a radio wave that propagates only over line-of-sight distances?
- 71.** At what frequencies is line-of-sight transmission the only method of propagation?

72. How can the transmission distance of a UHF signal be increased?
73. What technique is used to increase transmission distances beyond the line-of-sight limit at VHF and above?
74. What is a repeater station and how does it work?
75. Which conditions cause the worst kind of fading?
76. What is the name given to multipath fading?
77. Why is frequency diversity undesirable?
78. How does spatial diversity minimize fading?
79. Which produces the fewest fading effects, narrowband or wideband signals?

Problems

1. What is the approximate impedance of a dipole that is 0.1λ aboveground? 0.3λ aboveground? ◆
2. What is the length of a wire dipole antenna at 16 MHz?
3. A wire dipole antenna has length of 27 ft. What is its frequency of operation? What is its approximate bandwidth? ◆
4. At low frequencies (less than 30 MHz), what is the normal polarization of a dipole?
5. What is the most common transmission line used with low-frequency dipoles? ◆
6. The power applied to an antenna with a gain of 4 dB is 5 W. What is the ERP?
7. What is the length of a folded dipole made with a 300-Ω twin lead for a frequency of 216 MHz? ◆
8. Calculate the length of a one-quarter wavelength vertical antenna at 450 MHz.
9. What is the length of the driven element in a Yagi at 290 MHz? ◆
10. Calculate the length of the coaxial loop used in a coaxial balun for a frequency of 227 MHz. Assume a

velocity factor of 0.8.

- 11.** What is the length in inches of a one-quarter wavelength impedance-matching section of coaxial cable with a velocity factor of 0.66 at 162 MHz?
- 12.** How far away is the radio horizon of an antenna 100 ft high?
- 13.** What is the maximum line-of-sight distance between a paging antenna 250 ft high and a pager receiver 3.5 ft off the ground?
- 14.** What is the path attenuation between transmitter and receiver at a frequency of 1.2 GHz and a distance of 11,000 mi?
- 15.** An antenna has a dBd gain of 6. What is its gain with respect to an isotropic radiator? page 578
- 16.** A cell phone antenna tower 240 ft high uses spatial diversity. What is the minimum desirable antenna separation?

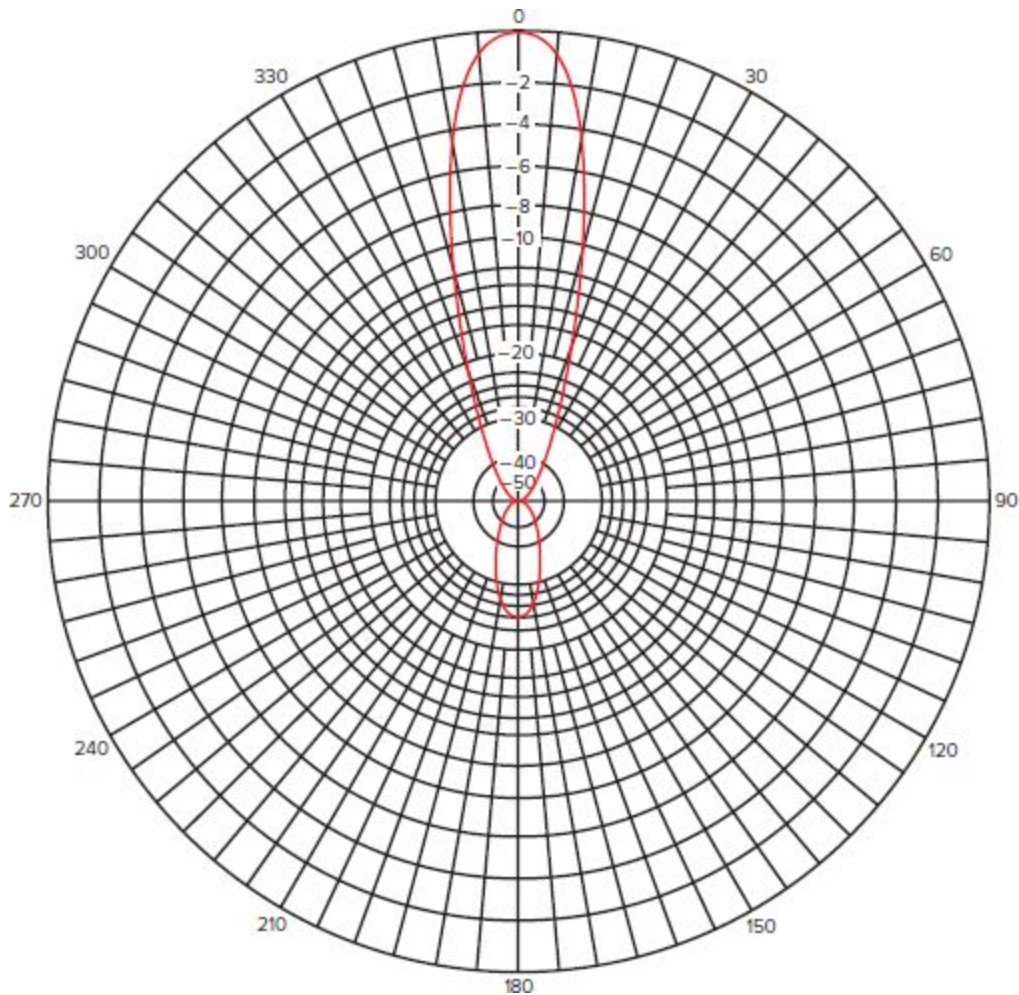
◆ *Answers to Selected Problems follow Chap. 23.*

Critical Thinking

- 1.** Of two dipoles, one using wire conductors and one using thin tubing conductors, which has a wider bandwidth?
- 2.** The sun is at an angle of 30° to the horizon and causes a tall one-quarter wavelength vertical antenna to cast a shadow 400 ft long. At what frequency does the antenna resonate?
- 3.** Where are the two conductors of a coaxial transmission line connected in a one-quarter wavelength vertical antenna installation?
- 4.** Compare and contrast the operation of a one-quarter wavelength vertical antenna to that of a one-half wavelength dipole.

5. What is the feed impedance of a one-quarter wavelength vertical antenna? What factors influence this impedance?
6. If a vertical antenna is too short, what can be done to bring it into resonance?
7. If a vertical antenna is too long for the desired frequency of operation, what can be done to make it resonant?
8. See Fig. 16-43. What is the beam width of this antenna? Calculate its gain. Calculate the front-to-back ratio of this antenna in decibels. *Note:* This radiation pattern uses a logarithmic scale and is calibrated in decibels. The maximum radiation point on the major lobe at 0° is given the value of 0 dB. The -3 -dB down points are clearly identified so that beam width can be determined. The center of the plot is -100 dB.

Figure 16-43 Radiation pattern for Critical Thinking question 8.



- 9.** A transmitter has a directional antenna with a page 579 gain of 4 dB. The frequency is 72 MHz. The power into the antenna is 2 W. The receiver uses a one-quarter wavelength ground plane. The distance between the transmitting and receiving antennas is 3 mi. What is the power at the receiver? What is the receiver input voltage with a 50-Ω input impedance?
- 10.** A 915-MHz transmitter sends a signal to a receiver. The transmitter output power is 1 W. Both transmitter and receiver use one-quarter wavelength vertical antennas. The receiver input impedance is 50 Ω. What is the maximum distance that can be achieved and still deliver 1 μV into the receiver front end?

- 11.** What is the length of a $\frac{5}{8}\lambda$ vertical antenna at 902 MHz?
- 12.** A very low-power battery-operated transmitter at an inaccessible location is to send telemetry data to a data collection center. The signal is often too weak for reliable data recovery. List some practical steps that can be taken to improve transmission.

Internet Technologies

The *Internet* is a worldwide interconnection of computers by means of many complex networks. Today it is a system with billions of users across the world.

This chapter discusses the technology used in transporting data in packets through large numbers of computers called servers and Internet appliances called routers and the extensive fiber-optic Internet backbone. Technologies such as Frame Relay, asynchronous transfer mode (ATM), SONET, and the Optical Transport Network (OTN) are explained. The transmission protocol TCP/IP is discussed, and the operation of a router is explained. This chapter also includes an introduction to storage-area networks (SANs), and the concept of cloud computing and virtualization are introduced. Finally, the subject of Internet data security is defined, and methods of encryption and authentication are considered.

Objectives

After completing this chapter, you will be able to:

- Define the Internet and cloud computing.
- List the main applications of the Internet.
- Explain how data is transmitted over the Internet.

- Name and explain the four main types of transmission systems used in the Internet, including ATM, SONET, OTN, and Frame Relay.
- Explain the details of the TCP/IP protocol.
- Explain the operation of a router.
- Identify and explain the major types of storage-area networks and their transmission technologies, including Fibre Channel and iSCSI.
- Explain what is meant by cloud computing.
- Define virtualization.
- Explain the operation of the Voice over IP telephone system.
- Name the main types of security systems used with the Internet.
- Name the encryption systems most commonly used on the Internet.

17-1 Internet Applications

The Internet is a communication system that accomplishes one of three broad uses: (1) share resources, (2) share files or data, and (3) communication. The primary applications of the Internet are e-mail, file transfer, the World Wide Web, e-commerce, searches, Voice over Internet Protocol, and video.

E-Mail. *E-mail* is the exchange of notes, letters, memos, and other personal communication by way of e-mail software and service companies. E-mail is still one of the most common communication methods in use today.

File Transfer. *File transfer* refers to the ability to transfer files of data or software from one computer to another. A file

transfer program (FTP) allows you to access files in remote computers and download them to your computer.

File transfer

World Wide Web. Whenever most people refer to the Internet, they are really talking about the *World Wide Web (WWW)*, or the Web for short. The Web is a specialized part of the Internet where companies, organizations, the government, or even individuals can post information for others to access and use. You access these websites through the Internet by way of a special piece of software known as a *browser*.

World Wide Web

Browser

E-Commerce. *E-commerce* or electronic commerce refers to doing business over the Internet, usually buying and selling goods and services by way of the Web. Two of the larger e-commerce retailers are Amazon and eBay, a site where some items are sold by auction.

E-Commerce

Searches. An Internet search allows a person to look for information on any given topic. Several companies offer the use of free search “engines,” which are specialized software that can look for websites related to the desired search topic. The most commonly used search sites are Google, Yahoo, and Microsoft Bing. You simply access the website through your browser and type in one or more keywords that direct the search engine. Within seconds, the search engine returns a listing of all those sites it finds containing the keywords.

Voice over Internet Protocol (VoIP). VoIP is the technique of replacing standard telephone service with a

digital voice version with calls taking place over the Internet. See Sect. 17-6 for details.

Video over Internet Protocol. Video or TV over the Internet (IPTV) is also becoming more common. The video (and accompanying audio) is digitized, compressed, and sent via the Internet. This is referred to as over-the-top (OTT) or streaming video. It is rapidly replacing some video transmitted over the air and by cable television systems. Both IPTV and VoIP make use of the standard Internet connections used for data.

How the Internet Works

The Internet is the ultimate data communication network. It uses virtually every conceivable type of data communication equipment and technique. All the concepts you learned earlier apply to the Internet. Just keep in mind that the information is transmitted as serial binary pulses, usually grouped as bytes (8-bit chunks) of data within larger groups called *packets*. All the different types of communication media are used including twisted-pair cable, coaxial cable, fiber-optic cable, satellites, and other wireless connections.

Packets

Internet Addresses. Each individual or computer on the Internet must have some kind of identifier or address. An addressing system for the Internet uses a simplified name-address scheme that defines a particular hierarchy. The upper level of the hierarchy is called a *top-level domain (TLD)*. A domain is a specific type of organization using the Internet. Such domains are assigned a part of the Internet address. The most common domains and their address segments are as follows:

Domain	Address Segment
Commercial companies	.com
Educational institutions	.edu
Nonprofit organizations	.org
Military	.mil
Government	.gov
Internet service providers	.net
Air transportation	.aero
Business	.biz
Cooperatives	.coop
Information sites	.info
International organizations	.int
Mobile	.mobi
Museums	.museum
Families and individuals	.name
Professions	.pro
Travel-related companies	.travel
Adult sites	.xxx
Country	.us, .uk, .fr, .jp, .de (United States, United Kingdom, France, Japan, Germany)

Another part of the address is the host name. The *host* refers to the particular computer connected to the Internet. A host is a computer, device, or user on the network. A server provides services such as e-mail, Web pages, and DNS. The host name is often the name of the company, organization, or department sponsoring the computer. For example, IBM's host name is ibm.

Host

E-Mail Address. The first part of the address is the user's name or some abbreviation, concatenation, or nickname. You might use your name for an e-mail address or some made-up name that you would recognize. The complete address might look like this: <billbob@xyz.net>.

The user name is separated from the host by the @ symbol. The host, in this case xyz, is the e-mail service provider. Note the dot between the host name and the domain name. This address gets converted to a series of

numbers used by computers on the Internet to identify and locate one another.

WWW Addresses. To locate sites on the Web, you use a special address called a *uniform resource locator (URL)*. A typical URL is <http://www.abs.com/newinfo>.

Uniform resource locator (URL)

The first part of the URL specifies the communication protocol to be used, in this case *hypertext transfer protocol (http)*. The *www*, of course, designates the World Wide Web. The *abs.com* part is the domain or the computer on which the website exists. The item after the slash (/) indicates a directory within the website software. Most websites have multiple directories, which are also usually further subdivided into pages.

Hypertext transfer protocol (http)

Initial Connections. A PC is connected to the Internet in a variety of ways. The most common method is through a modem that connects to the telephone system or cable TV system. Wireless modems are also available.

A common way of connecting to the Internet is to use a local-area network (LAN) to which your PC may be connected. Most company and organization PCs are almost always connected to a LAN. The LAN has a server that handles the Internet connection.

Role of the Telephone System. The legacy page 583 telephone system is still used to connect to the Internet. A standard telephone line is used with DSL modems.

Broadband Connections. A *broadband connection* is a fast Internet connection provided by a telephone company

or a cable TV company. A broadband connection can provide speeds up to many megabits per second.

Broadband connection

The most widely used broadband connection is a cable TV modem. Cable TV companies often act as Internet service providers. The cable TV system is ideal for supporting fast data transfers. A special cable modem is provided that connects to a PC by way of an Ethernet interface. Data transfer rates vary depending upon the amount of traffic on the line, but they can reach over 100 Mbps.

The second most widely used broadband connection is the *digital subscriber line (DSL)*. It is most often offered by a local telephone company but may be delivered by an independent supplier. It gives a data rate from 1.5 to 50 Mbps. Internet access is also available through cell phones.

Internet Service Provider (ISP). An ISP is a company set up especially to tap into the network known as the Internet. It can be an independent company or a local telephone company or a cable TV company. The ISP has one or more servers to which are connected dozens, hundreds, or even thousands of modems, DSLs, or cable connections from subscribers.

Internet service provider (ISP)

There are thousands of ISPs across the United States. Some ISPs provide wireless connections. The ISP is connected to the Internet backbone by way of a fast digital interface such as via a fiber-optic metropolitan area network (MAN).

17-2 Internet Transmission Systems

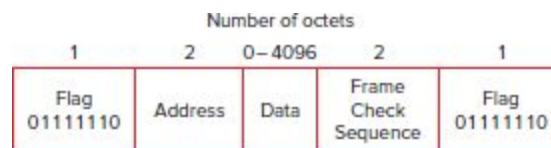
The Internet is made up of a huge number of individual elements. These elements include the servers, routers, and transmission media that carry the signals. A huge number of components and interconnections are involved. This section shows the overall operation of the Internet, the transmission protocols used, as well as the most widely used transmission media.

The networking technologies discussed here, including Frame Relay, ATM, and SONET, are older systems that have gradually been replaced by newer, faster, more flexible networking systems like OTN and Ethernet. A discussion of these older technologies is retained here because of their instructional value and the remote possibility that a person could actually encounter one of these older systems. OTN will dominate as the Internet gets faster and more users access it.

Frame Relay

Frame Relay (FR) is a packet-switching protocol standardized by the ITU-T. It packages data to be transmitted into FR frames that have the structure shown in Fig. 17-1.

Figure 17-1 A Frame Relay (FR) frame or packet.



FR is protocol-independent in that it can carry the data from any other transmission method such as Ethernet. Ethernet packets are put into the data field and carried unmodified to the destination. The most common use of FR is in LAN-to-LAN connections where the LANs are widely

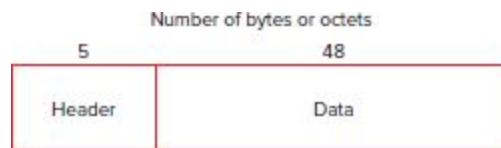
separated, as in two different company locations. The FR service was usually offered by local telecommunications carriers, but it is no longer a viable service.

Asynchronous Transfer Mode

Asynchronous transfer mode (ATM)

Asynchronous transfer mode (ATM) is also a packet-switching system for transmitting data. It uses very short 53-byte packets with a 48-byte data payload and a 5-byte header that designates the destination as well as the type of data to be handled. Any kind of data may be transmitted in this way, including voice, video, and computer data. The packet format is shown in Fig. 17-2. ATM uses 2.5- and 10-Gbps optical networks.

Figure 17-2 An ATM packet.



Like Frame Relay, ATM is gradually being phased out in favor of the newer Optical Transport Network and Ethernet.

SONET*

The *Synchronous Optical Network (SONET)* was developed to transmit digitized telephone calls in T1 format over fiber-optic cable at high speeds. Its primary use is to send time-multiplexed voice or data over switched networks. SONET is used between telephone central offices, between central offices and long-distance carrier facilities, and for long-distance transmission. Until recently, most Internet backbones were SONET point-to-point connections or rings.

Today the trend is away from SONET. Most new long-haul networks use Optical Transport Network and Ethernet.

Synchronous Optical Network (SONET)

SONET is by far the most widely used optical data transmission network in the United States. It is an American National Standards Institute (ANSI) standard as well as a subset of the broader international standard known as the *Synchronous Digital Hierarchy (SDH)*. The latter was developed and sanctioned by the International Telecommunications Union (ITU) and then used throughout the rest of the world.

Synchronous Digital Hierarchy (SDH)

SONET is a physical (PHY) layer standard that defines the method for formatting and transmitting data in sync with a master timing system keyed to an atomic clock. The standard defines different optical-carrier (OC) speeds, from 51.84 Mbps to 39.812 Gbps. Fig. 17-3 lists the most common channel speeds.

Figure 17-3 SONET data rates.

SONET level	STM level	Data rate
STS-1/OC-1	—	51.84 Mbps
STS-3/OC-3	STM-1	155.52 Mbps
STS-12/OC-12	STM-4	622.08 Mbps
STS-48/OC-48	STM-16	2.488 Gbps*
STS-192/OC-192	STM-64	9.953 Gbps*
STS-768/OC-768	STM-256	39.812 Gbps*

*Note that when referencing these data rates, they are typically rounded to 2.5, 10, and 40 Gbps, respectively.

GOOD TO KNOW

Researchers Partha Mitra and Jason Stark determined that the maximum theoretical capacity of a single optical fiber is 100 terabits (Tbits) equivalent to 20 billion simultaneous one-page e-mails.

In the past, most long-distance telephone service, as well as the Internet backbone, was made up of a hierarchy of large and small SONET rings. Even though SONET was designed to carry synchronous voice traffic in a circuit-switched environment, its primary function is data transmission with no regard to its content. As a result, SONET can carry asynchronous, packet-switched data from ATM, Frame Relay, Ethernet, or Transport Control Protocol/Internet Protocol (TCP/IP) equipment.

Nevertheless, SONET is on its way out. Newer faster systems such as OTN and in some cases Ethernet variants are the replacements that are better able to handle the continually increasing population on the Internet and the data speeds they demand for video streaming and 5G wireless.

Optical Transport Network

page 585

SONET has been adequate for long-haul and metro networks over the past several decades, but it has not kept pace with the demands of the Internet and other networking efforts. Massive Internet access has exploded in recent years. Increased viewing of TV and downloading of videos has further burdened the Internet. Additional stress has come from the new, faster, fourth-generation (4G) smartphones and the attendant need for faster backhaul networks. On top of that, the cloud computing movement requires increasingly faster networks.

The solution is fiber-optic networks. Most of the build-out of long-haul and metro fiber networks in the late 1990s and early 2000s used 2.488-Gbit/s SONET (OC-48) technology. Since then, many systems underwent upgrades to 10 Gbits/s (9.95328-Gbit/s SONET or OC-192) and a precious few to SONET's peak rate of near 40 Gbits/s (39.81312-Gbit/s SONET or OC-768).

These synchronous systems connect to asynchronous Ethernet networks, creating the need for interface solutions such as Ethernet-over-SONET protocols. With faster Ethernet and Internet Protocol (IP) systems growing in number and the emergence of all-IP 4G wireless networks, SONET has struggled to keep pace.

Add to that the need for speeds beyond 40 Gbits/s, and suddenly a faster IP-based system is no longer a luxury, but rather a necessity. That new system designated to deal with this problem is called the Optical Transport Network (OTN). It is already in place in some locations and starting to expand.

OTN is called the “digital wrapper” or “optical channel wrapper.” It is defined by the ITU-T standards G.872 and G.709. OTN can carry IP traffic with ease, much like SONET and SDH (Synchronous Digital Hierarchy). OTN features line rates of 2.66 Gbits/s (OTU1) to carry SONET OC-48, 10.7/11.09 Gbits/s (OTU2/2e) to carry 10-Gigabit Ethernet or SONET OC-192, and 43.01 Gbits/s (OTU3) to carry SONET OC-768 or 40-Gigabit Ethernet. A line rate of 112 Gbits/s (OTU4) is also defined to carry 100-Gigabit Ethernet. Overall, OTN is gradually replacing SONET/SDH in most long-haul and metro networks. It is expected that OTN will form most of the Internet backbone, while 40- and 100-Gbit/s optical versions of Ethernet will serve the LANs, data centers, and some metro areas.

OTN is a packet-based technology and was optimized to carry Ethernet as well as SONET. It includes support for the operation, administration, maintenance, and provisioning (OAM&P) feature of SONET that allows the network carrier to monitor and control the network by programming. In addition, unlike SONET, OTN was designed to operate over one or more wavelengths of light on a single fiber. This wavelength division multiplexing (WDM) is described later in Chap. 20.

Fig. 17-4 shows the OTN frame format. There are four rows of 4080 bytes (octets) transmitted one after another left to right and top to bottom. The frame is divided into overhead, payload, and forward error correction (FEC) fields. The Ethernet, SONET, and other protocol frames are mapped into the payload section. Overhead bytes are added to designate addresses, data types, the number of data bytes, OAM&P data, and related information.

Figure 17-4 Simplified OTN frame.



Finally an FEC is added. OTN uses an advanced form of the Reed-Solomon FEC designated RS (255, 239). For every 239 bytes of data, 16 additional bytes of parity correction bits are added. This FEC can correct up to 8 bit errors or detect 16 bit errors per row of data. The key benefit of this FEC is that it adds up to 6.2 dB of coding gain, allowing a BER of 10^{-12} to be achieved. In addition, with this coding gain, OTN can be transmitted over longer spans of fiber without regeneration of the signal. Whereas SONET was limited to a reach of 200 km, OTN has a reach up to 2000 km.*

Routers

The *router* is the single most important piece of equipment in the Internet. You have probably heard of the world's largest router manufacturers such as Cisco IBM, Intel, and

Dell. Routers interconnect the various segments of the wide area network (WAN) backbones. Routers are also used to connect metropolitan area networks (MANs) to WANs, LANs to others LANs, and LANs to MANs. The routers connect to one another and to the various servers to form a large mesh network connected usually by fiber-optic cable.

Router

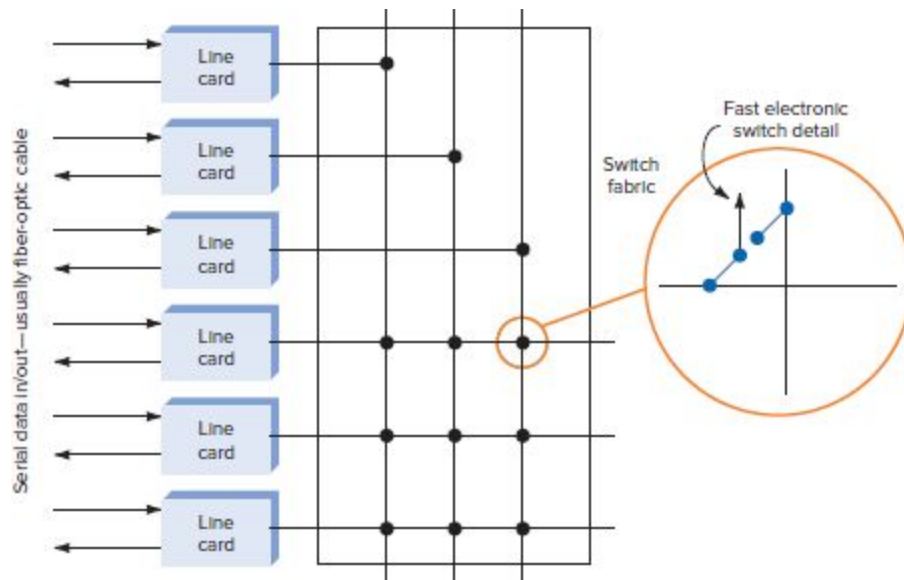
A router is an intelligent computer-like device that looks at all packets transmitted to it and examines their IP destination addresses. It then determines the best next path for the data to take to its destination. The router stores information about the other routers and networks to which it is connected and about any nearby networks. This information is stored in a routing table that is compared to the destination address on all incoming packets. Routing algorithms determine the best (closest, fastest) connection and then retransmit the packet. In any given Internet transmission, most packets pass through several routers before they reach their final target computer.

Physically, a router can have several configurations. Any high-speed device can be used that has serial inputs and outputs and a way to examine packet addresses and make decisions regarding routing and switching. For example, a computer with a fast processor, adequate memory, serial I/O, and the appropriate software can serve as a router. Today, most routers are specialized pieces of equipment optimized for the routing function.

The basic configuration of a modern router is shown in Fig. 17-5. It consists of a group of line cards that plug into connectors on a printed-circuit board back plane. The back plane contains the copper interconnecting lines to allow the line cards to transmit and receive data from one another. Transfer speeds are typically many gigabits per second. The line cards communicate with one another through a switch fabric. The switch fabric is a large digital equivalent of a

cross bar switch. A cross bar switch is a matrix of switches in a row-column format that allows any one of multiple input lines to be connected to any one of multiple output lines. Superfast electronic switches connect the line cards. See Fig. 17-5.

Figure 17-5 General block diagram of a router.



Each line card has a serial input port and a serial output port. These are usually optical fiber lines, but they could also be RJ-45 Ethernet ports. At the receive input, the optical data is converted to serial electric signals that are then deserialized by a circuit called a *serializer/deserializer (SERDES)* that performs both serial-to-parallel and parallel-to-serial data conversion. The parallel data is then stored in a random-access memory (RAM). This data is then examined by a special processor to determine its destination address. The processor uses a routing lookup table and algorithms that decide which output line is to be used. Any input may be routed to any output in this way. The processor then passes the packet to the switch fabric where it is sent to an output port. The packet is serialized by

a SERDES circuit and then sent to the output port by using SONET, ATM, Ethernet, or OTN.

Serializer/deserializer (SERDES)

The Internet Backbone

The *Internet backbone* is a collection of companies that install, service, and maintain large nationwide and even worldwide networks of high-speed fiber-optic cable. The companies own the equipment and operate it to provide universal access to the Internet. In many ways, these companies *are* the Internet, for they provide the basic communication medium, equipment, and software that permit any computer to access any other.

Internet backbone

Although each of the backbone providers has its own nationwide network, the providers are usually connected to one another to provide many different paths from one computer to another. There are more than 50 of these interconnection points in the United States. Known as *network access points (NAPs)*, these facilities provide the links between backbones.

Network access points (NAPs)

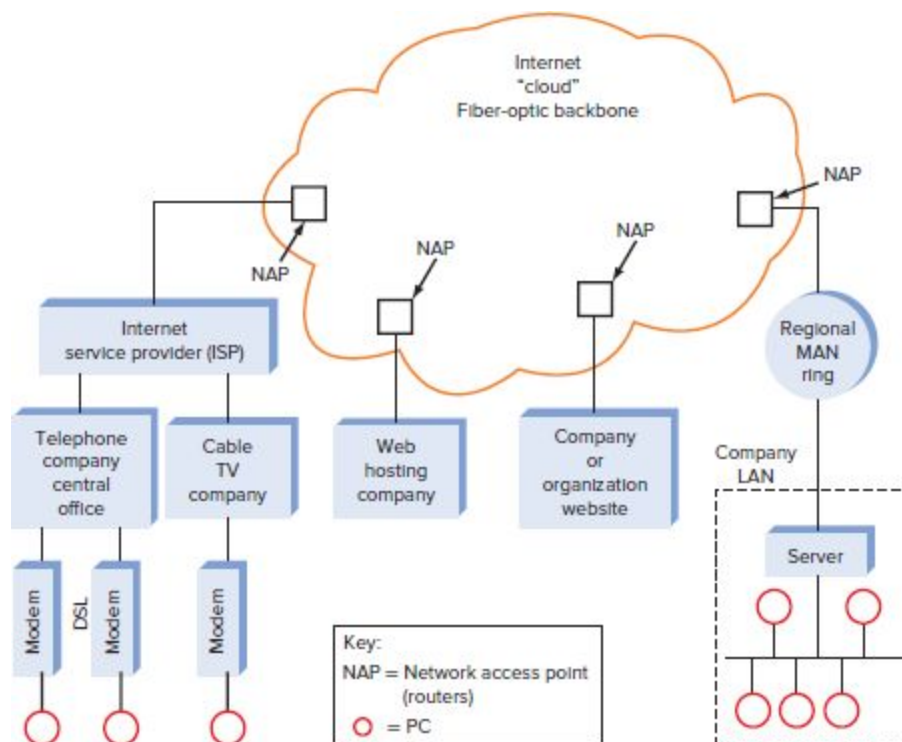
GOOD TO KNOW

Each packet includes information about its source, destination, the sequence of how it should be reassembled once it reaches its destination, and some indication of how large the packet is.

Fig. 17-6 shows a diagram of the main components of the Internet. On the left are three ways in which a PC is connected for Internet access, to the telephone local office via a conventional or DSL modem or by way of a cable modem and cable TV company. The telephone company

central office and cable TV company connect to an Internet service provider by way of a local fiber-optic MAN. (Note: The telephone company or cable TV company may also be the ISP.) The ISP contains multiple servers that handle the traffic. Each connects to the Internet by way of a router that attaches to the Internet backbone at one of the many network access points. The primary equipment at network access points is routers that determine the destination of packets. The “cloud” in Fig. 17-6 represents the Internet backbone. This is one of several large fiber-optic networks, either point-to-point or a ring, that carry the Internet data and interconnect with one another to exchange data.

Figure 17-6 Simplified diagram of the Internet.



On the right side in Fig. 17-6 are additional connections. Here a company LAN accesses the backbone by way of a regional MAN. A company server contains a website that is

regularly accessed by others. Also shown is a Web hosting company that stores the websites and Web pages of others.

The Packet-Switching Transmission System

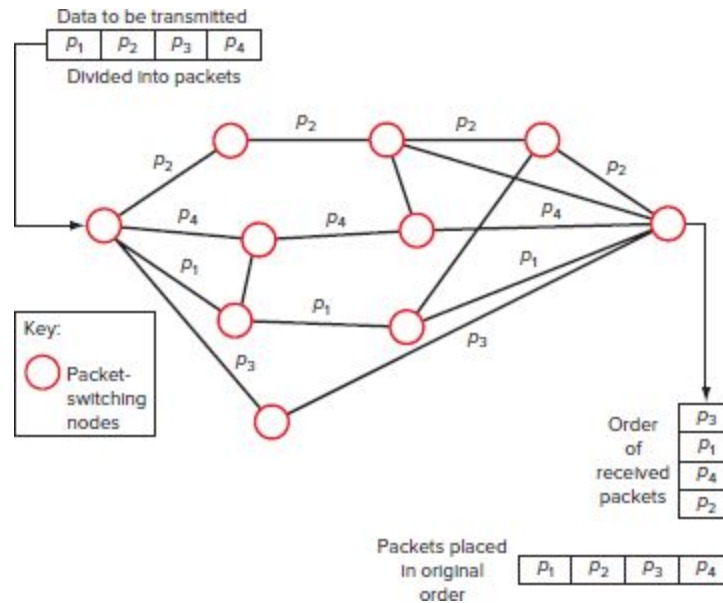
The Internet is a packet-switching system. Data to be sent is divided up into short chunks called *packets* and transmitted one at a time. The term *datagram* is also used to describe a packet. Packets are typically less than 1500 octets long. (*Note:* In data communication, a byte is more often called an *octet*, an 8-bit word.) Each packet finds its own way through the complex maze that is the Internet by using addressing information stored in the packet. Not all packets take the same path through the system, and in fact the packets may arrive at the receiving end out of the order in which they were sent.

Packet

Datagram

Fig. 17-7 shows a simplified version of the packet-switching concept. The packet-switching network consists of multiple exchanges with high-speed packet switches that connect to multiple inputs and outputs. The multiple interexchange links produce many possible paths through the network.

Figure 17-7 The packet-switching concept showing nodes in the backbone.



Several older packet-switching systems are still in use in Internet backbones such as Frame Relay, ATM, and SONET systems. Newer parts of the backbone use OTN as the older systems fade away. Most modern backbone networks operate at 40 Gbps or 100 Gbps.

Packet switching requires a set of software protocols that make sure that the data is properly partitioned, transmitted, received, and reassembled. On the Internet, these protocols are called *TCP/IP*. TCP means Transmission Control Protocol, and IP means Internet Protocol. Both protocols are used to send and receive data over the Internet. TCP/IP was invented in the 1960s, when the Advanced Research Project Agency (ARPA) of the Department of Defense (DoD) tested and established the first packet network. It was first implemented on large computers running the UNIX operating system. Today, TCP/IP is by far the most widely implemented data communication protocol, and it is at the heart of the Internet.

TCP/IP protocol

TCP/IP is a layered protocol similar to the OSI [page 589](#) seven-layer model discussed in Chap. 14. TCP/IP

does not implement all seven layers, although the effect is the same. Some operations of the individual seven layers are combined to form four layers, as shown in Fig. 17-8. The upper, or applications, layer works with other protocols that implement the desired application. The most widely used are the *file transfer protocol (FTP)*, which facilitates the transmission of long files of data; the *simple mail transfer protocol (SMTP)*, which implements e-mail; and the *hypertext transfer protocol (http)*, which provides access to the World Wide Web.

File transfer protocol (FTP)

Simple mail transfer protocol (SMTP)

Hypertext transfer protocol (http)

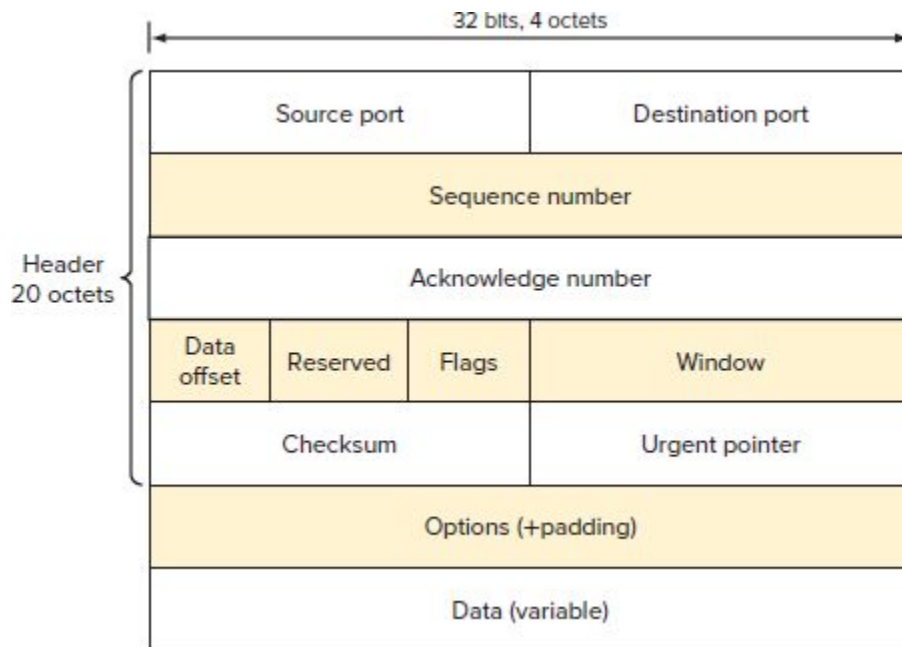
Figure 17-8 Comparing the OSI and TCP/IP layers.

OSI layers	TCP/IP layers
7: Application	Application
6: Presentation	
5: Session	
4: Transport	Host-to-host (TCP)
3: Network	IP
2: Data link	Network access
1: Physical	

Transmission Control Protocol. The host-to-host layer is really TCP. It divides the data into packets to be sent. To each packet is attached a comprehensive header containing source and destination addresses, a sequence number, an acknowledgment number, a check sum for error detection and correction, and other information. The TCP header is shown in Fig. 17-9. It consists of 20 bytes or octets,

minimum, depending upon what options are added. At the receiving end, TCP reassembles the packets in the proper order and sends them to the application. It also asks for retransmission if a packet is received in error.

Figure 17-9 TCP headers.



TCP is used only to prepare the packets for transmission and reassemble the packets when received. It does not implement the actual packet transmission over the Internet. As you will see, that is the job of IP. TCP's job is to offer some assurance that the packets arrive in a reliable and high-quality form by providing the error detecting and correcting check sums, sequence numbers, and other features.

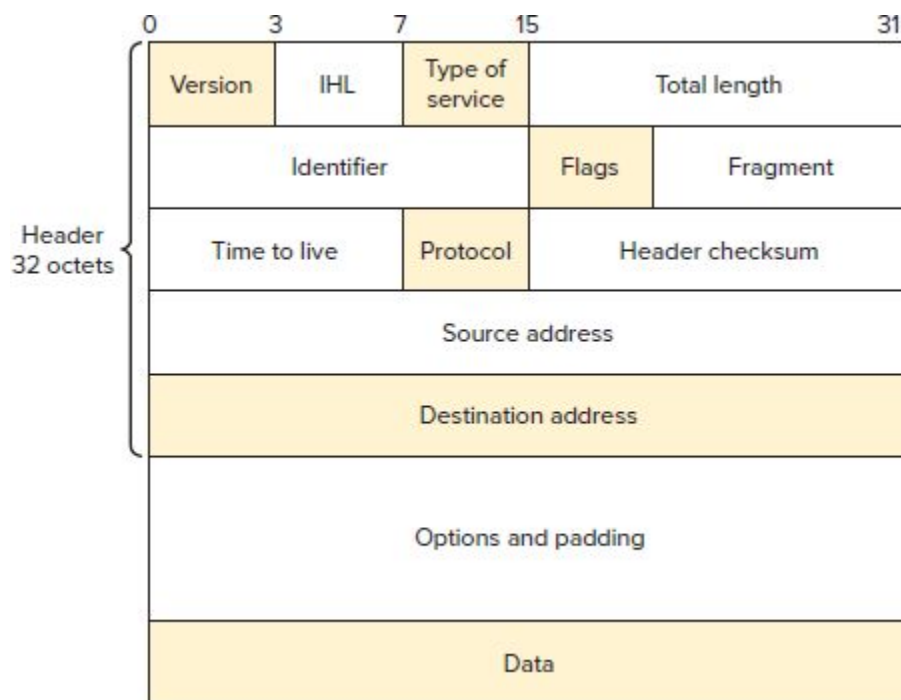
GOOD TO KNOW

When a packet is sent from a host to another host over the Internet, it is first assembled into packets with TCP format; then the IP layer adds a new header to send the packet over the Internet.

The TCP header is a single serial bit stream in which each of the fields is transmitted one after another. This header is difficult to draw and print as a long single line, so the presentation format in Fig. 17-9 is used. This representation is widely used to illustrate other protocols and headers. In reality, data is transmitted serially from left to right and from top to bottom, row after row, with 4 octets per row.

Internet Protocol. The TCP packet is then sent to the IP layer, where the IP protocol is used. The IP layer ensures that the packet gets to its destination over the Internet. In Fig. 17-10, an IP header is attached before the resulting new packet is transmitted.

Figure 17-10 IP header (IPv4).



Note in Fig. 17-10 that the destination address has 32 bits. Every computer has one of these addresses assigned to it. The addresses are usually expressed in what is called the *dotted decimal form*. The 32-bit address is divided into four

8-bit segments. Each segment can represent 256 numbers from 0 through 255. A typical address would look like this: 125.63.208.7. Dots separate the four decimal segments. These addresses are assigned by an organization known as the *Internet Assigned Numbers Authority (IANA)*. The addresses are subdivided into classes (A through E) to represent different types and sizes of networks, organizations, and individual users.

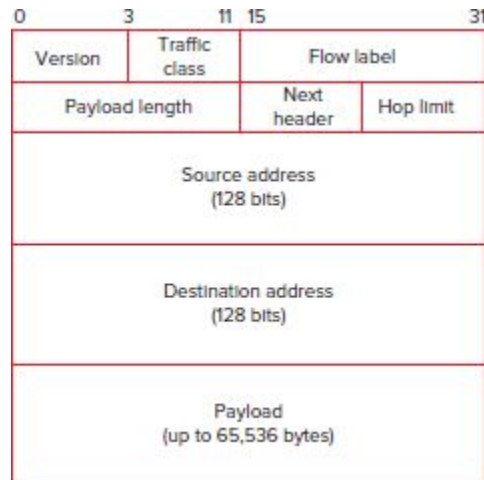
The most widely used IP protocol is called *IPv4*, or *Internet Protocol version 4*. Its primary limitation is that its destination address size is only 32 bits; i.e., it is limited to 2^{32} , or 4,294,967,296, locations or users. Although more than 4 billion addresses would seem to be enough, as the Internet has grown, this has become a severe limitation. The newer version is IPv6, which has a 128-bit address field that should provide more than enough destinations (2^{128}) for massive future expansion. Also IPv6 provides for authentication and multicasting. *Multicasting* is the ability of IP to move fast audio and video data over the Internet from a single source to multiple destinations. IPv6 is implemented on many computers, but not all. It is slowly being phased in as software and hardware are updated in new systems.

IPv4 (Internet Protocol version 4)

Multicasting

The IPv6 packet with header is illustrated in Fig. [page 591](#) 17-11. The header is a simpler version of the IPv4 packet; only the basic information is included, to make forwarding more efficient. A header extension is used if additional instructions are needed.

Figure 17-11 The IPv6 packet.



Key changes to the header are that there is no header checksum and the time to live field is called the hop limit. This is the maximum allowed number of hops between routers that a packet can make before it is discarded.

Note the 128-bit source and destination addresses. Each address is 16 bytes long and can provide up to 3.4×10^{38} addresses. Instead of the dotted decimal address representation of IPv4, the IPv6 addresses are represented by a 32-digit hexadecimal address. There are eight groups of four hex digits with colons between. An example is 1974:0000:A56E:FFFF:0000:239C:470D:3C09.

As for payload, the payload length field in the page 592 header is 16 bits, indicating that the data payload may be up to 65,535 bytes. This is the same as in the IPv4 packet.

Finally, the network access layer that contains the physical layer connection transports the data. As explained earlier, there are several different ways that TCP/IP information is transmitted. For example, the packets may get packaged into Ethernet packets in a LAN and then delivered to a MAN for ultimate connection to the packet-switched WAN backbone. Or the TCP/IP packets may travel via a cable TV modem to an ISP that connects to a MAN via

a fiber-optic line and then to the WAN. The WAN may carry the data via ATM, SONET or OTN through the backbone.

TCP/IP*

Several protocols or sets of rules are used to communicate over a computer network. Each protocol must accomplish several tasks, such as encapsulation, fragmentation and reassembly, connection control, ordered delivery, flow control, error control, addressing, multiplexing, and transmission services. Perhaps the most common protocol used to accomplish these tasks is the Transmission Control Protocol/Internet Protocol (TCP/IP). TCP/IP is the communications protocol that hosts use to communicate over the Internet, and it establishes a virtual connection between a destination and source host. TCP/IP uses two protocols to accomplish this task, TCP and IP.

TCP enables two hosts to establish a connection and exchange data. TCP will guarantee both the delivery of data and that the packets will be delivered in the same order in which they were sent. Remember, packets are sent through a network according to the best path. This “best path” choice does not guarantee that all packets will take the same path, nor will they arrive in the same order they were sent. TCP has the job of ensuring that all the packets are received and put back into the correct order before they are passed up the protocol stack.

IP determines the format of the packets. The IP packet format is not discussed in detail, but there are a total of 20 octets in IP version 4 packets. These bits are used to select the type of service, length of datagram, identification number, flags, time to live, next-higher protocol, header checksum, and various addresses. The packet IP provides a function similar to the address on a postal letter. You write the address on the letter and put it in the mailbox. You and

the receiver know where it is sent from and to whom it is being sent, but the path is determined by someone else. That someone else is the routers in the network between the destination and the source. It is TCP/IP that establishes the connection between the destination and the source. TCP steps in and cuts the letter up into smaller pieces or packets and then sends them, ensuring that all the packets are received and put back into the proper order.

UDP

The *User Datagram Protocol (UDP)* is another protocol used at the transport level. UDP provides a connectionless service for applications. UDP provides few error recovery services, unlike TCP. However, like TCP, UDP uses IP to route its packets throughout the Internet. UDP is used when the arrival of a message is not absolutely critical. You may recall that from time to time you receive letters for Current Resident in your mailbox. The senders of this “junk mail” are not concerned that everyone receive the package they send. UDP is similar to the Current Resident mail and is often used to send broadcast messages over a network. A broadcast message is a message that is sent periodically to all hosts on the network in order to locate users and collect other data on the network. UDP messages are also used to request responses from nodes or to disseminate information. Another application of UDP is in the use of real-time applications. With real-time applications, retransmitting and waiting for arrival of packets are not possible, so TCP is not used for these applications. When real-time data (voice or video) is routed, a connectionless UDP protocol is used. If packets get dropped or fail to arrive, the overall message is usually not corrupted beyond recognition.

User Datagram Protocol (UDP)

You have seen the components that make up a network and how information travels across a network, but how does a packet find its intended destination? The Internet is organized in a hierarchical structure. The entire network is often referred to as the Internet or the World Wide Web. The Internet is subdivided into several smaller networks that are all interconnected by routers.

The Internet connects several separate segments or networks together by using routers. Routers need some way to identify the destination network to which a packet is bound. Routers accomplish this by using the network IP address. All devices on that network share the same network address, but have unique host addresses. Packets get routed from network to network until they arrive at the network that contains the host to whom the packet has been sent.

A good example of a hierarchal structure is how large military units are organized. The largest structure is the brigade. The brigade is separated into two regiments with three battalions per regiment. Each battalion has five companies. Each company then has platoons, and each platoon has squads. An individual soldier or sailor is in a squad, platoon, company, battalion, and so on. If you want to contact all the soldiers or sailors in a particular company, you can send a message to just that company. The same is true for a battalion or platoon. In a computer network, the ability to send messages to an individual host on a particular network is also important. Each network is then connected into the entire Internet or the so-called Internet cloud.

We can break each connection to the cloud into its own network, and each network would be connected to the cloud

by using a router. Every computer connected off the router is considered to be on the same network.

This arrangement is similar to a family. The router would represent a single family, say, the Jones family; and all the segments represent children in the Jones family. We can easily identify who is in the Jones family by looking at the last name. A router can recognize who is in its network by using a set of numbers called an IP address.

When a computer receives a packet from the router, the computer first checks the destination MAC address of the packet at the data link layer. If it matches, it's then passed on to the network layer. At the network layer, it checks the packet to see if the destination IP address matches the computer's IP address. From there, the packet is processed as required by the upper layers. On the other hand, the computer may be generating a packet to send to the router. Then as the packet travels down the OSI model and reaches the network layer, the destination and source IP address of this packet are added in the IP header.

The format of an IPv4 address is called dotted decimal, and it consists of four numbers from 0 to 255 separated by periods or dots. Each number between the periods is considered an octet because it represents 8 binary bits.

Example: 35.75.123.250

The dotted decimal format is convenient for people to use, but in reality the router will convert this number to binary, and it sees the above dotted decimal number as a continuous string of 32 bits. The example below shows an IP address in decimal notation. This IP address (35.75.123.250) is then converted to binary, which is what the computer understands. It's easier for us to remember four different numbers than thirty-two 0s or 1s.

35 .75 .123 .250
00100011.01001011.01111011.11111010

The above IP address would look like 0010001101001011011110111111010 to the computer. The hexadecimal version is 234B7BFA.

To provide flexibility, the early designers of the IP address standard sat down to sort out the range of numbers that were going to be used by all computers. They organized the IP address into five classes, and we normally use three of these classes. When people apply for IP addresses, they are given a certain range within a specific class depending on the size of their network.

In Table 17-1, you can see the five classes. The first three classes (A, B, and C) are used to identify workstations, routers, switches, and other devices, whereas the last two classes (D and E) are reserved for special use. The IP addresses listed above are not all usable by hosts!

Class	Range of IP Addresses		
A	1.0.0.0	to	127.255.255.255
B	128.0.0.0	to	191.255.255.255
C	192.0.0.0	to	223.255.255.255
D	224.0.0.0	to	239.255.255.255
E	240.0.0.0	to	255.255.255.255

An IPv4 address consists of 32 bits, which means it is 4 bytes long. The first octet (first 8 bits or first byte) of an IP address is enough for us to determine the class to which it belongs. And depending on the class to which the IP address belongs, we can determine which portion of the IP address is the network ID and which is the host ID. For example, if you were told that the first octet of an IP address was 168, then,

using the above table, you would notice that it falls within the 128 to 191 range, which makes it a class B IP address.

GOOD TO KNOW

The class A IP addresses were designed for large networks, class B for medium-size networks, and class C for smaller networks.

Earlier we said that companies are assigned different IP ranges within these classes, depending on the size of their networks. For instance, if a company required 1000 IP addresses, it would probably be assigned a range that falls within a class B network rather than a class A or C.

To get the information to the correct host, the IP address is divided into two parts, the network ID and the host ID. These two parts contain two pieces of valuable information:

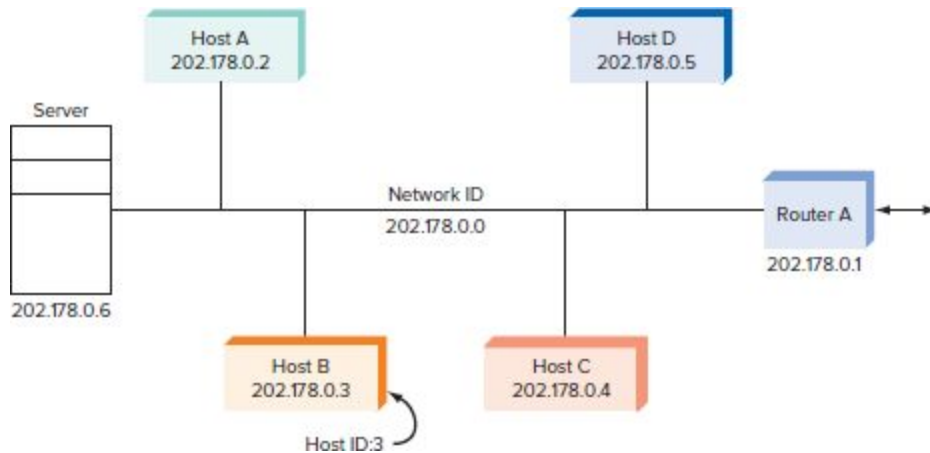
GOOD TO KNOW

Think of the network ID as the suburb you live in and the host ID as your street in that suburb. You can tell exactly where someone is if you have their suburb and street name. In the same way, the network ID tells us to which network a particular computer belongs, and the host ID identifies that computer from all the rest that reside in the same network.

1. It tells us which network the device is part of (network ID).
2. It identifies that unique device within the network (host ID).

Fig. 17-12 gives you an example to help you understand the concept.

Figure 17-12 Example showing network and host IDs.



Routers will look at the first number or octet to determine the class of the IP address. The class indicates how many bits are used to represent the network ID and how many bits are used to represent the host ID. In the above picture, you can see a small network. We have assigned a class C IP range for this network. Remember that class C IP addresses are for small networks. Looking now at host B, you will see that its IP address is 202.178.0.3. The network ID is 202.178, and the host ID is 0.3.

Table 17-2 contains the range of numbers used to determine the class of the network and the number of bits available to assign to a network and the hosts on that network. For example, 140.179.220.200 is a class B address. The 140 falls within the 128 to 191 range, which makes it a class B IP address. So, by default, the network part of the address (also known as the *network address*) is defined by the first 2 octets (140.179.x.x), and the node part is defined by the last 2 octets (x.x.220.200).

Table 17.2 Identifying Network and Host IDs

Class	Range of First Octet	Number of Network ID Bits	Number of Host ID Bits
A	1–127	8	24
B	128–191	16	16
C	192–223	24	8

Now we can see how the class determines, by default, which part of the IP address belongs to the network (N) and which part belongs to the host (h).

- Class A—0NNNNNNN.hhhhhhhh.hhhhhhhh.hhhhhhhh
- Class B—10NNNNNN.NNNNNNNN.hhhhhhhh.hhhhhhhh
- Class C—110NNNNN.NNNNNNNN.NNNNNNNN.hhhhhhhh

Take a class A IP address as an example to understand exactly what is happening. Any class A network has a total of 7 bits for the network ID (bit 8 is always set to 0) and 24 bits for the host ID. Now all we need to do is to calculate how much is 7 bits: $2^7 = 128$ networks, while $2^{24} = 16,777,216$ hosts in each network. Of the 16,777,216 hosts in each network, 2 cannot be used. One is the network address, and the other is the network broadcast address (see Table 17-3). Therefore when we calculate the “valid” hosts in a network, we always subtract 2.

Table 17.3 IP Addresses Unusable by Hosts

IP Address	Function
Default—Network 0.0.0.0	Refers to the default route. This route simplifies routing tables used by IP.
Loopback—Network 127.0.0.1	Reserved for loopback. The address 127.0.0.1 is often used to refer to the local host. Using this address, applications can address a local host as if it were a remote host.
Network address —IP address with all host bits set to 0 (for e.g., 192.168.0.0)	Refers to the actual network itself. For example, network 202.178.0.0 can be used to identify network 202.178. This type of notation is often used within routing tables.
Subnet/network broadcast —IP address with all node bits set to 1 (e.g., 202.178.255.255)	IP addresses with all node bits set to 1 are local network broadcast addresses and must <i>not</i> be used. Some examples: 125.255.255.255 (class A), 190.30.255.255 (class B), 203.31.218.255 (class C).
Network broadcast —IP address with all bits set to 1 (e.g., 255.255.255.255)	The IP address with all bits set to 1 is a broadcast address and must <i>not</i> be used. These are destined for all nodes on a network, no matter what IP address they might have.

If asked how many valid hosts you can have on a class A network, you should answer 16,777,214, *not* 16,777,216. The same story applies for the other two classes we use, class B and class C. The only difference is that the number of networks and hosts changes because the bits assigned to them are different for each class. So if asked how many valid hosts you can have on a class B network, you should answer 65,534, *not* 65,536. And if asked how many valid hosts you can have on a class C network, you should answer 254, *not* 256.

Now you've learned that even though we have three classes of IP addresses that we can use, some IP addresses have been reserved for special use. This doesn't mean you can't assign them to a workstation; but if you did, it would create serious problems within your network. For this

reason, it's best to avoid using these IP addresses. Table 17-3 shows the IP addresses that you should avoid using.

It is imperative that every network, regardless of page 596 class and size, have a network address (first IP address, for example, 202.178.0.0 for class C network) and a broadcast address (last IP address, for example, 202.178.0.255 for class C network), as mentioned in Table 17-3 and the diagrams above, which cannot be used. So when you calculate available IP addresses in a network, always remember to subtract 2 from the number of IP addresses within that network.

Reserved Host ID Numbers

When you design a network, you will be given a network ID from a controlling authority. The network ID portion of your Internet address cannot change, but the host ID portion of the IP address is the bits you own, and you can assign any IP within the host ID portion to the computers on your network, other than the all-0s or all-1s host ID mentioned above. Typically designers will assign the first assignable IP to the first host, but there is no restriction and any number can be assigned.

Just as the name *Jones* identifies the family members, the network ID identifies your network, but how does the router figure out that the network ID is a match? Information travels in packets, and each packet has a header. The header will contain the IP address of the computer to which the packet is being sent. The router will use a special sequence of bits called the *network mask* to determine if the packet is being sent to its network. The network mask has all 1s in the network ID and all 0s in the host ID. This mask is then logically ANDed to the packet, and the router will see if the destination host is on its network. In our

35.0.0.0 network, the network mask would be 255.0.0.0. If the network were a class B, the network mask would be 255.255.0.0, and for a class C the network mask would be 255.255.255.0.

Network mask

Network Mask

Table 17-4 shows our three network classes with their respective network masks.

Table 17.4 Network Classes with Network Masks		
Class Type	Network Range	Network Masks
A	1.0.0.0 to 127.255.255.255	255.0.0.0
B	128.0.0.0 to 191.255.255.255	255.255.0.0
C	192.0.0.0 to 223.255.255.255	255.255.255.0

An IP address consists of two parts, the network ID and the host ID. We can see this once again shown below, where the IP address is analyzed in binary, because this is the way you should work when dealing with network masks:

Class C IP Address				
IP address:	192.	178.	0.	4
Network mask:	255.	255.	255.	0

Conversion to Binary				
IP address:	11001010.	1011 0010	0000 0000.	0000 0100
Network mask:	1111 1111.	1111 1111.	1111 1111.	0000 0000
ANDed result	11001010	1011 0010		0000 0000
		Network ID		Host ID

GOOD TO KNOW

All class C IP addresses have a 24-bit network mask (255.255.255.0).

All class B IP addresses have a 16-bit network mask (255.255.0.0).

All class A IP addresses have an 8-bit network mask (255.0.0.0).

This class C network uses 21 bits for the network ID (remember, the first 3 bits in the first octet is set) and 8 bits for the host ID. The network mask is what splits the network ID and host ID.

We are looking at an IP address with its network mask for the first time. What we have done is to take the decimal network mask and convert it to binary, along with the IP address. It is essential to work in binary because it makes things clearer and we can avoid making mistakes. The 1s in the network mask are ANDed with the IP address, and the result defines the network ID. If we change any bit within the network ID of the IP address, then we immediately move to a different network. So in this example, we have a 24-bit network mask (twenty-four 1s, counting from left to right).

Subnet Mask

As the network grows, it becomes increasingly difficult to efficiently route all the traffic, since the router needs to keep track of all the hosts on its network. Let's say that we have

a simple MAN of two routers. Whenever a packet is sent from one host to another on our network, the router will route the packet to the proper host. When the packet is sent to a host connected to another router, the network mask will be used to determine that the packet is not for our network, and the router will send the packet over the communication link to the other network. If each router has only a few hosts connected to it, then the number of packets that the router has to route is relatively small. As the network grows, this number of hosts gets quite large. For a class A network, there could be 2^{24} , or close to 17 million, hosts. As a means to help the routers more efficiently route packets and manage the size of their router tables, a technique called *subnetting* is used.

Subnetting

When we subnet a network, we basically split it into smaller networks. By subnetting the network, we can partition it into as many smaller networks as we need. By default, all types of classes (A, B, and C) have a network mask. However, a network mask other than the default can be used. This is called a subnet mask. The use of an IP address with a subnet mask other than the network default results in the standard host bits (the bits used to identify the host ID) being divided into two parts: a subnet ID and host ID. Take the same IP address as above, and divide it further into a subnet ID and host ID, thus changing the default network mask. Then by using the ANDing technique described earlier, smaller subnets can be created and identified as required.

MAC Address Versus IP Address

Recall the *media access control (MAC)* address discussed earlier. The MAC address is a unique address assigned to the physical device. The IP address is a logical address used to

determine where in the network a host is located. As in the postal example, the state could be considered the network, with the city the subnet, and the individual person as the host in the network. The MAC address is like the Social Security number (SSN) that each person has. The SSN gives no information about where the person is located, but does uniquely identify that person. The MAC identifies the manufacturer and has a unique number associated with it. The IP address is used to find out where the MAC is so that packets can be routed to the host.

Media Access Control (MAC)

An Example Transmission

Assume an e-mail application in which a message packaged by the SMTP is sent to the TCP layer for formatting. The TCP is then sent to the IP layer, which further packages the message for transmission. Also assume that the IP packets are encapsulated into Ethernet LAN packets and sent to a WAN. At the first WAN node, the router strips off the Ethernet packets, recovers the IP header, and reveals the destination. The router makes its routing decision and then reencapsulates the packets into the protocol of the WAN for this application OTN. The OTN packets then travel from router to router, where the same thing occurs. The packets finally reach the final destination, where the router again recovers the IP packets.

At the receiving end, the IP layer verifies that the packet has come to the right place and then strips off the header and passes it to the TCP layer. Here any errors are detected and retransmission is requested if necessary. Then all the packets are reassembled in the correct order, the header is removed, and the final data is sent to the applications layer, where it is sent to the SMTP protocol that delivers the e-mail.

17-3 Cloud Networking and Virtual Systems

The Internet has grown quickly and has continued to change as more users access it while simultaneously demanding higher data rates. A good example of this is the trend of many to drop cable TV or satellite TV service and replace it with some OTT or streaming video services like Netflix, YouTube, Amazon Prime, Hulu, and others who offer movies, music, older TV series, and a whole new mixed bag of video entertainment at prices lower than cable. Streaming high-definition video demands much higher data rates to avoid the annoying buffering delays that may occur. ISPs have upgraded their systems to accommodate this trend. And that, in turn, has encouraged a whole new set of Internet services. This section addresses this trend. It introduces cloud computing and the world of virtual systems.

Cloud Computing

The *cloud* is a general term for the Internet. In system diagrams, the Internet is sometimes represented by a large white puffy cumulonimbus cloud. The cloud is a massive unseen networking infrastructure that is constantly changing and has never been mapped. Cloud computing is the process of storing and accessing programs or data over the Internet. Instead of storing your programs and data on your computer's hard drive, you access the software and storage capability of remote servers via an Internet connection. All you need is a minimal computer with a Web browser and possibly an application interface program that lets you use the external resources wherever they may be. E-mail is an example of cloud computing you have probably used. The e-mail programs of Google Gmail and Yahoo mail

and e-mail storage are in the cloud and not on your computer. Cloud computing is a new concept that is gradually replacing the older original form of local computing. The one thing that makes cloud computing possible, practical, and acceptable is very high-speed broadband Internet connections.

Cloud

There are multiple forms of cloud computing. One of them is software as a service (SaaS). This is the process of subscribing to a software program. It may be a game, a database, or some applications software. Microsoft offers such software. Another is platform as a service (PaaS), an example of which is a development platform that offers all the tools you need to build your own cloud application. This may be a custom software application created for your own use but implemented in the cloud. Then there is infrastructure as a service (IaaS). The infrastructure is a company that supplies hardware such as servers or virtual computers and storage units. Users rent remote equipment, facilities, and services to handle their needs; Amazon and Google are examples.

The big question is, why would you give up local control of your stored data and software? There are several benefits. The first is lower cost. The access computer can be a smaller, less powerful computer with a slower CPU, less RAM, and a smaller hard drive—all of which costs less. You may not have to buy servers or large storage units. Second, software costs less. Instead of owning the software, you lease it instead. Third, you can access your software and data from any place at any time if you have access to a laptop, tablet, or smartphone and an Internet connection. Other benefits, from a company or business perspective, are lower costs for IT staff support and less need for physical space and utilities devoted to servers.

There are some insecurities associated with cloud computing. For example, do you know if your data is safe from loss or hacking? Can you get access to it anytime you want? Is there backup? Is your data really private? Do you really own the data, given that it is stored remotely? Will ISP outages prevent you from getting to your data or the software you subscribe to?

Companies and individuals must make up their own minds about the pros and cons of cloud computing, depending on their needs and resources. In any case, cloud computing is a growing phenomenon and will expand greatly in the coming years.

In summary, you access your software and apps page 600 from the cloud over the Internet. And you store your data in the cloud rather than on your PC hard disk. Your PC is no longer your main processing device. Instead it becomes primarily a communications terminal to access all of your resources via an Internet connection.

The cloud then is a remote collection of servers that stores your software and data. Some people are uncomfortable with this idea, but it works well and the cloud business has grown into a very profitable service. The major computing and software companies have a cloud business, including Amazon, Apple, Google, and Microsoft. A good example of the cloud is using Microsoft Office 365 (Word, Excel, etc.) and storing your data at Microsoft OneDrive. Other players include companies like Dropbox and Rackspace.

The cloud has become a big business. Although many individuals use it, business has been more gradual to adopt this approach as a way to cut their computing budgets with products such as software-as-a-service (SaaS).

Virtualization

Virtualization is the process of creating separate computers and servers in software and hosting them on a single server or using software to emulate other hardware devices like storage systems and networks. These software-simulated computers are called virtual machines (VMs).

A VM has its own simulated architecture, instruction set, and storage. It can even run its own operating system. Depending on the size of the VM and the host server it runs on, it is possible to build multiple VMs on a single server. Each VM can be accessed separately and can run its own application. Virtualization is like adding computers to your capability without buying any new hardware. The lower computing costs and general overall efficiency of this approach has proven itself over the past years. Virtualization is very common today. The piece of software that makes virtualization possible is called the hypervisor. It resides on the host server and then partitions that hardware so that it can run multiple VMs. The hypervisor actually masks each VM from its user so that the user really does not know he or she is using a VM. Server virtualization is very popular and widespread today.

Virtualization can be applied to other devices or systems. Storage virtualization is an example. In this case, software provides for combining multiple storage devices so they look like one big system to external users. Then there is network virtualization. This process essentially uses software to combine network capabilities into one big network. Or it could use the software to divide an existing network into separate channels each with its own bandwidth and speed capability.

Virtualization lowers costs because a single server can act like several and let users think they are using a separate computer. With fewer servers in a data center, the electrical power consumption will go down along with the heat. Some cloud applications are thereby ideal for implementation on VMs.

Data, Control, and Management Network Planes

Some terminology you may encounter when discussing networks are the data plane, the control plane, and the management plane. These terms describe the main functions of the network and how it works.

Data Plane. The data plane consists of all the hardware, software, and processes associated with moving data around the network. Also known as the forwarding plane, it determines the destinations of the data and involves the routers and switches that forward frames and packets.

Control Plane. The control plane involves the software and processes that make the decisions about what routes the frames and packets will take through the network. It also involves how the data is prioritized and secured. The routers with their forwarding and routing tables implement these functions. A variety of protocols are used depending on the type of network and equipment vendor.

Management Plane. The management plane is page 601 mostly the software used to configure and manage the routers and switches in the network. This plane may also include provisioning, troubleshooting, and upgrading capabilities.

Unless you are a network supervisor or specialist you generally do not need to know the details of these planes. However, it is critical that you know the terms and understand their basic function.

17-4 Storage-Area Networks

Storage-area networks (SANs) and large storage systems provide a way to meet the Internet's nearly insatiable need for data storage. Besides the need for mass storage of data for websites and e-mail, there is a growing demand for storage at large companies and the government. Special storage systems have been created to hold these massive data resources, and special networks and communications systems have been developed to ensure rapid access to this data.

One of these new systems is called *network attached storage (NAS)*. These systems are made up of a *redundant array of independent disks (RAID)* or *just a bunch of disks (JBOD)*. These large boxes of disk drives are typically connected to a PC or server by way of the installed Ethernet LAN. They are assigned an IP address so that data can be accessed in a file format. Anyone connected to the LAN can access the data on the disks if authorization is provided.

Network Attached Storage (NAS)

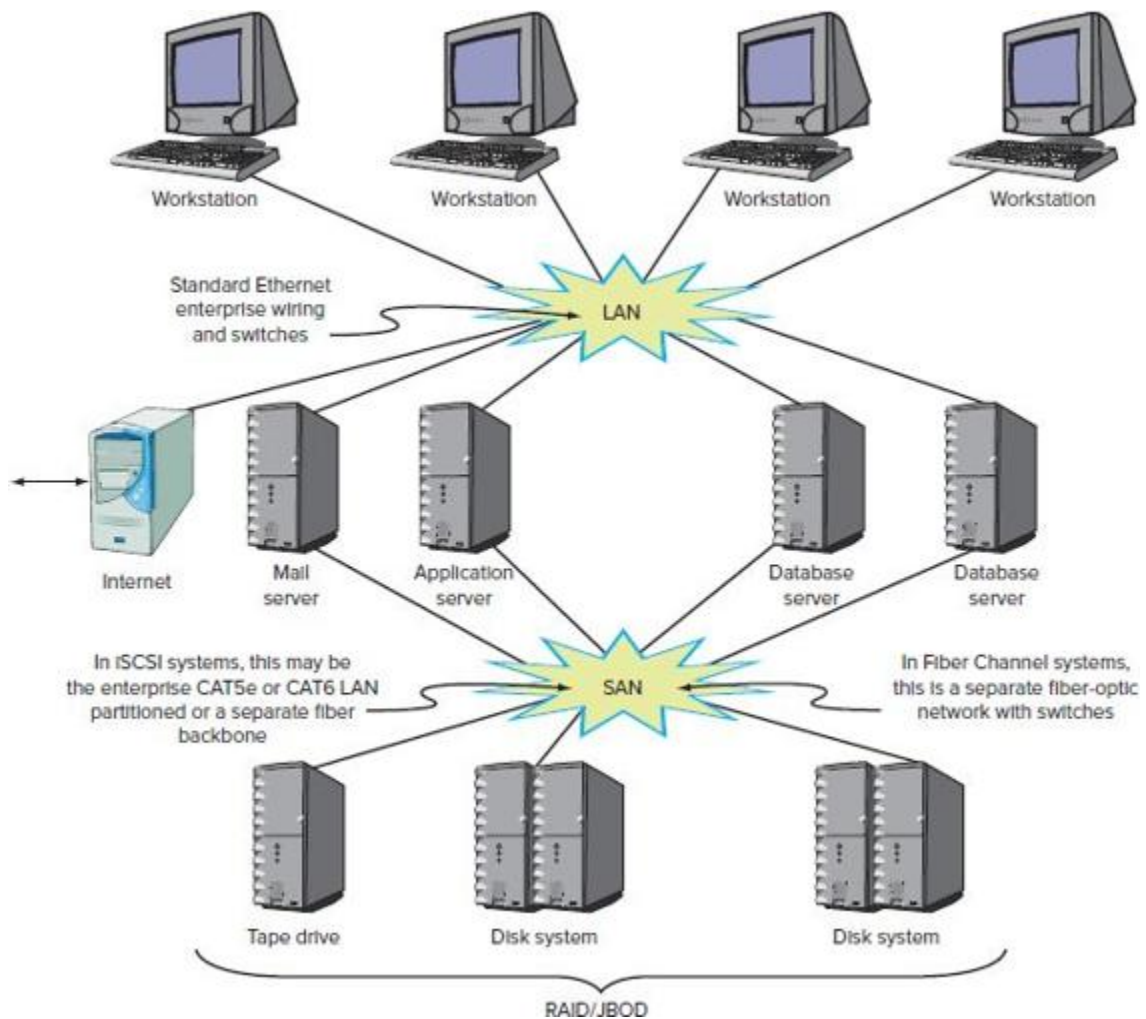
Redundant Array of Independent Disks (RAID)

Just a Bunch of Disks (JBOD)

Very large storage needs are met by storage area networks. These use the RAIDs and JBODs that are connected via the SAN to the various network servers, database servers, or other computers designed to provide access to the data. Fig. 17-13 shows a typical arrangement. All the various user PCs or workstations are connected to a central LAN using 100-MHz or 1-GHz Ethernet over twisted-pair cable to which all the specialized servers (mail, data, application-specific, etc.) are attached. The servers are also connected to the SAN, which in turn is attached to each disk storage unit. Fiber-optic connections are typically used in connecting the SAN to the servers, but in some cases a 1-GHz twisted-pair Ethernet connection may be used. With this arrangement, any individual PC or workstation may access the data in any disk system or establish backup files

via the LAN and the SAN. That access may actually be via the Internet. SANs use block transfers of data instead of file transfers, where fixed-size blocks of data are transferred rather than complete files.

Figure 17-13 The basic architecture of a SAN.



The connection between the servers and the SAN is made usually by a fiber-optic network known as *Fibre Channel (FC)*. A newer connection system called *iSCSI* or *Internet SCSI* ("I skuzzy") uses the installed Ethernet LAN plus Ethernet switches.

Fibre Channel (FC)

Fibre Channel

Fibre Channel is an optical fiber transmission standard established by the American National Standards Institute in the late 1980s. The standard defines a protocol and a fiber-optic physical layer (PHY) that can be used to connect computers and storage systems in a loop or ring, point-to-point or through switches. Today FC systems transmit at speeds to 128 Gbps. Very high data rate is essential in a SAN if any large block of data is going to be accessed by a user in a reasonable time.

The FC PHY defines the use of a pair of fiber-optic cables, one for transmit and one for receive. Most systems use 50- or 62.5- μm -diameter multimode fiber (see Chap. 20) for relatively short connection distances up to several hundred meters. Single-mode fiber can also be used for longer-range connections from 10 to 40 km. The short-range systems use 850- μm infrared (IR) laser transmitters, while the longer-range systems use either 1310- or 1550- μm IR laser transmitters.

The protocol defines a 2148-byte packet or frame page 602 that is transmitted with 8B/10B coding. A 4-byte (32-bit) CRC is used for error detection. The actual transmission speeds are 1, 2, 4, 8, 16, 32, and up to 128 Gbps. The connection to the fiber-optic cable is made through an interface card known as a *host bus adapter (HBA)*. Each HBA plugs into the bus of the server or the storage control unit of the RAID or JBOD. The connections may be a direct, point-to-point link or a ring. Today, most connections are made through a very high-speed electronic cross point switching arrangement known as a switch fabric. The switch fabric is packaged into a box with the fiber-optic cable connectors, and the entire unit is called an FC switch. It appears inside the SAN “cloud” shown in Fig. 17-13. This arrangement essentially lets any server or disk drive node

on the network connect to any other. Most FC switches permit up to 2^{24} devices to be connected.

Host Bus Adapter (HBA)

GOOD TO KNOW

Fiber Channel does not use the standard OSI communications model. Instead, its protocol uses a unique 5-layer system.

One of the primary advantages of the FC SAN is that it is inherently secure. Because it is not connected to the LAN or the Internet, it is essentially immune to outside hacking, virus, spam, or other attacks normally associated with the Internet. The FC SAN is completely separate from any other network connections.

FC systems can also communicate over longer page 603 distances via the Internet by using a new protocol called *Fibre Channel over Internet Protocol (FCIP)* developed by the Internet Engineering Task Force (IETF). This protocol encapsulates the FC frames into packets and transmits them via TCP/IP. With this arrangement, multiple FC SANs can be interconnected and managed over an IP network. Another arrangement called *Internet Fibre Channel Protocol (iFCP)* allows FC SANs to be linked by using TCP/IP with standard Ethernet switches or routers. The switch or router becomes a gateway that takes the place of an FC switch.

Fibre Channel over Internet Protocol (FCIP)

Internet Fibre Channel Protocol (iFCP)

Internet SCSI

While FC is used in more than 90 percent of all SANs because of its speed, flexibility, and reliability, its main downside is high cost. A lower-cost SAN connection system

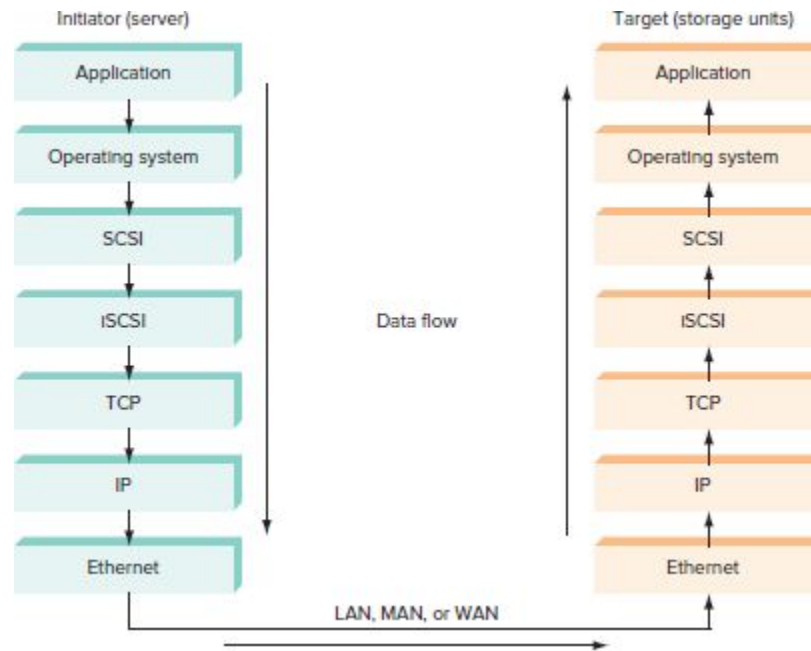
called *Internet SCSI (iSCSI)* has been developed. It uses standard off-the-shelf Ethernet components and TCP/IP software so widely available. This system is also an IETF standard. It uses the same command and control protocol developed for parallel bus SCSI DAS systems except it uses serial data transfers over Ethernet.

Internet SCSI (iSCSI)

Fig. 17-14 shows the data flow in a data access operation in an iSCSI SAN. The PC requesting the data notifies the server, and the server operating system then produces an appropriate SCSI command. The iSCSI protocol that is implemented in the Ethernet *network interface card (NIC)* encapsulates the SCSI command into TCP, then into IP packets that are transmitted by using Ethernet on available LAN connections. In Fig. 17-13, the SAN “cloud” is usually just the installed LAN wiring with Ethernet routers and switches. The connection may also be through a MAN or WAN using the Internet. On the receiving end, which is the target RAID or JBOD, the process is reversed, as Fig. 17-14 shows.

Network interface card (NIC)

Figure 17-14 The sequence of operations for accessing data by using the iSCSI protocol.



The NICs used in the servers and the RAID/JBOD systems are standard Ethernet interfaces but are iSCSI-enabled. They may even incorporate what is called a TCP/IP off-load engine. This is a special processor designed to handle the TCP/IP operations in hardware rather than in software on the server as usual. This greatly speeds up all operations.

The primary benefit of an iSCSI SAN is its lower page 604 cost and use of existing LAN wiring or the Internet. The main disadvantage is that such systems are at risk to hacking, viruses, and other such security problems. This can be taken care of by using security software and data encryption methods, but these increase the cost and greatly slow down all data transmission operations.

17-5 Internet Security

One of the most important aspects of the Internet is security of the data being transmitted. *Security* refers to protecting the data from interception and protecting the sending and

receiving parties from unwanted threats such as viruses and spam. And it means protecting the equipment and software used in the networks. The Internet or any network-connected computer is subject to threats by hackers, individuals who deliberately try to steal data or damage computer systems and software just for the challenge.

Prior to the Internet, computer security was primarily limited to sensitive government and military data transmissions. Some large companies also used security measures to transmit critical data. Today the Internet has forced all users and organizations to employ security measures to protect their computer and data. The Internet greatly expanded development in security measures. Wireless systems are also very vulnerable to hacker attacks simply because radio waves are easily picked up and used by anyone with an appropriate receiver. Over the past years, security for wireless systems has been developed and widely deployed.

Most security measures are implemented in software. Some security techniques can also be implemented in hardware such as data encryption chips.

Types of Security Threats

The most common form of threat is the ability of a hacker to link to an existing network and literally read the data being transmitted. Some types of connections permit disk files to be accessed, e-mail files to be read, data to be modified, and new unwanted data to be added. There are a huge number of specific ways in which data can be read, stolen, compromised, or corrupted. The other common forms of security threats are explained below.

Viruses. A virus is a small program designed to implement some nefarious action in a computer. A virus typically rides

along with some other piece of information or program so that it can be surreptitiously inserted into the computer's hard drive or RAM. The virus program is then executed by the processor to do its damage. Any number of viruses have been created over the years and transmitted by e-mails to unsuspecting computers. Sometimes viruses arrive by way of a Trojan horse, a seemingly useful and innocent program that hides the virus. Viruses typically interfere with the operating system, causing it to do unwanted things or not to perform certain functions. Viruses can affect the executable programs on the computer, the file directory, the data files themselves, and the boot programs. Besides making the computer unusable, a virus can erase or corrupt files, cause unknown e-mails to be transmitted, or take other malicious actions. Like a real virus, computer viruses are designed to spread themselves within the computer or to be retransmitted to others in e-mails. These viruses are called *worms* as they automatically duplicate and transmit themselves from network to network and computer to computer.

Spam. A more recent threat, while not actually damaging, is unwanted ads and solicitations via e-mail called spam. Spam clogs up the e-mail system with huge quantities of unwanted data and uses transmission time and bandwidth that could be used in a more productive way. Spam is not illegal, but you must remove the spam yourself, thereby using up valuable time, not to mention memory space in your e-mail system.

Spyware. Spyware is a kind of software that page 605 monitors a computer and its user while he or she accesses the Internet or e-mail. It then collects data about how that user uses the Internet such as Internet website access, shopping, etc. It uses this information to send unsolicited ads and spam. Some examples of dangerous

practices are the capture of credit card numbers, delivery of unsolicited pop-up ads, and capture of Web-browsing activity and transmission to a person or company for use in unauthorized promotions.

Denial-of-Service (DoS) Attacks. This is a process that transmits errors in the communications protocol and causes the computer to crash or hang up. This type of vandalism doesn't steal information, but it does prevent the user from accessing the operating system, programs, data files, applications programs, or communications links. It is the easiest form of attack that serves no useful purpose other than to hurt others.

One special type of DoS attack is called *smurfing*. A smurf attack usually overwhelms ISP servers with a huge number of worthless packets, thereby preventing other ISP subscribers from using the system. Smurfing makes use of a technique called *pinging*. A ping is the transmission of an inquiry by way of the Internet Control Message Protocol (ICMP) that is a part of TCP/IP to see if a particular computer is connected to the Internet and active. In response to the ping, the computer sends back a message confirming that it is connected. Hackers substitute the ISP's own address for the return message so that it gets repeatedly transmitted, thus tying up the system.

Smurfing

Pinging

Security Measures

To protect data and prevent the kinds of malicious hacking described, special software or hardware is used. Here is a brief summary of some of the techniques used to secure a computer system or network.

Encryption and Decryption. Encryption is the process of obscuring information so that it cannot be read by someone else. It involves converting a message to some other form that makes it useless to the reader. Decryption is the reverse process that translates the encrypted message back to readable form.

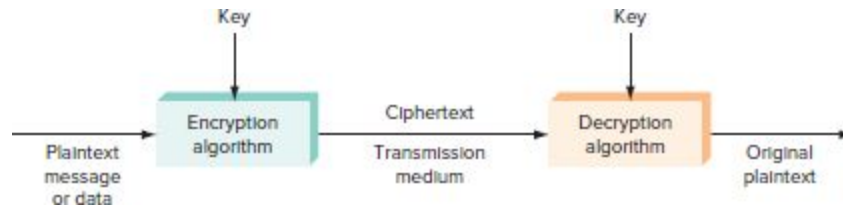
Encryption has been used for centuries by governments and the military, mainly to protect sensitive material from enemies. Today it is still heavily used not only by the government and the military but also by companies and individuals as they strive to protect their private information. The Internet has made encryption more important than ever as individuals and organizations send information to one another. For example, encryption ensures that a customer's credit card number is protected in e-commerce transactions (buying items over the Internet). Other instances are automated teller machine (ATM) accesses and sending private financial information. Even digitized voice in a cell phone network can be protected by encryption.

Fig. 17-15 shows the basic encryption process. The information or message to be transmitted is called *plaintext*. In binary form, the plaintext is encrypted by using some predetermined computer algorithm. The output of the algorithm is called *ciphertext*. The ciphertext is the secret code that is transmitted. At the receiving end, the reverse algorithm is performed on the ciphertext to generate the original plaintext.

Plaintext

Ciphertext

Figure 17-15 The basic encryption/decryption process.



Most encryption processes combine the plaintext with another binary number called a secret key. The key is used as part of the algorithmic computing process. To translate the ciphertext back to plaintext, the receiving computer must also know the secret key. The strength of the encryption (meaning how secure the data is from deliberate attempts at decryption by brute computing force) is determined by the number of bits in the key. The greater the number of bits, the more difficult the key is to discover.

There are two basic types of encryption: *secret-key encryption (SKE)*, also called private-key encryption, and *public-key encryption (PKE)*. SKE is said to be symmetric because both sending and receiving parties must have the same key. The problem with this method lies in sharing the key. How do you transmit or distribute the secret key in a secure manner? This problem led to the development of PKE.

Secret-key encryption (SKE)

Public-key encryption (PKE)

PKE is known as *asymmetric encryption*. It uses page 606 two keys, a public key and a private key, in the encryption process. The public key can be openly shared in public. In fact, the public key is sent by the receiver to the transmitting party, and it is used in the encryption process. A secret key is also needed in the decryption process. The original PKE method used two factors of a large prime number for the public and private keys. Other methods are used today.

Asymmetric encryption

There are literally dozens of different types of encryption methods. Two of the most common SKEs are the *Data Encryption Standard (DES)* and the *Advanced Encryption Standard (AES)* developed by the National Institute of Standards and Technology (NIST) for the U.S. government. DES uses a 56-bit key for encryption. The key is actually 64 bits or 8 bytes long, where 1 bit of each byte is a parity bit. The remaining eight 7-bit bytes make up the key. The plaintext is encoded or encrypted in 64-bit blocks.

Data Encryption Standard (DES)

Advanced Encryption Standard (AES)

DES was found to be insufficiently secure as the key could actually be discovered by a very fast computer, simply by trying all the related key combinations. This led to the development of 3DES (pronounced triple-dez), which puts the plaintext through three separate sequential DES encryptions, creating a virtually unbreakable code.

The AES algorithm was developed by NIST to replace DES with a method better suited to network use and hardware as well as software implementation. The resulting cipher is known as the Rijndael algorithm, named after one of its creators. It uses 128-, 192-, or 256-bit keys, making it ultrasecure and essentially impossible to break.

There are numerous private key methods. Another one that is often used is Rivest Cipher #4 (RC4), developed by Ron Rivest at the Massachusetts Institute of Technology. The key length can vary from about 40 to 128 bits.

The original public-key encryption concept is known as the Diffie-Hellman key exchange, named for its inventors Whitfield Diffie and Martin Hellman. The Diffie-Hellman algorithm uses random number generation and logarithms to create the keys. One of the most commonly used is the RSA method developed by Rivest, Shamir, and Adleman. It uses large prime numbers to generate 512-, 1024-, or 2048-bit keys to ensure maximum protection.

A newer PKE algorithm is the *elliptic-curve cryptosystem (ECC)*. Its prime advantage is that it uses a smaller 160-bit key that provides equivalent protection of a 1024-bit RSA key, but computation is significantly faster. Large keys make it more secure.

Elliptic-curve cryptosystem (ECC)

Here is a step-by-step sequence to show how PKE is used.

- 1.** Two parties *X* and *Y* wish to communicate. Party *X* will transmit information to *Y*.
- 2.** Both *X* and *Y* have encryption software that generates both public and private keys.
- 3.** The receiving party *Y* first transmits the public key to *X*. This can be done by using nonsecure or unencrypted methods.
- 4.** The transmitting party *X* then uses the public key to encrypt the message that is sent to *Y*.
- 5.** Then *Y* decrypts the message by applying the private key that matches the public key.

Even though a message is encrypted by whatever method, there is no way to be sure that it arrives unmodified. It could be changed during transmission due to some form of interception and attack or just muddled by noise. To prevent this problem, methods of ensuring data integrity have been created. These methods are referred to as *hash functions*. Hash functions are a kind of one-way encryption. They allow you to determine if the original message has been changed in any way during transmission.

Hash functions

What a hashing function or algorithm does is to page 607 compress the plaintext of any length into a fixed-length binary number. The hash process may be like a checksum where the bytes of the message are added or XORed together to create a single byte or longer word. Generating a CRC is another similar example. Modern hash

functions are more complex to be more secure. The hash function takes plaintext of an arbitrary length and maps it to fixed-length blocks. The algorithm is performed on the blocks of data. The result is a digest of the message. The two most commonly used hash functions are designated Message Digest 5 (MD5), which produces a 128-bit hash value, and Secure Hash Algorithm-1 (SHA-1), which generates a 160-bit hash value. SHA-1 is generally more secure, but both are available in just about all security software. A newer SHA-2 further improves security.

Authentication

Authentication. *Authentication* is the process of verifying that you are who you say you are. It is a way that you or someone you are communicating with really can confirm a true identity. Authentication ensures that the transmitting and receiving parties are really who they say they are and that their identities have not been stolen or simulated. Digital authentication allows computer users to confidently access the Internet, other networks, computers, software, or other resources such as bank accounts if they can verify their identities. Authentication is widely used in most Internet transactions such as e-commerce as it provides a way to control access, keep out unauthorized users, and keep track of those who are using the resources.

The most common methods of authentication are the use of passwords or personal identification numbers (PIN). Coded ID cards are another way. More recently, biometric methods of identification are being used as security tightens with more and more transactions. Some common biometric ID methods are fingerprint scans, retinal eye scans, voiceprints, or video facial recognition.

Passwords and PINs are often encrypted before transmission so that they cannot be stolen. This is done with the one-way encryption method known as hashing just

described. When you key in your password, a hashing algorithm encrypts it and sends it to the authorizing computer, which decrypts it and then compares it to the password you originally created. The process cannot be reversed and so is secure.

The most commonly used process of authentication in network communications is the use of digital certificates. Also known as certificate-based authentication, this method uses hashing and public key encryption to verify identity in various transactions. A digital certificate is a message or document created by a computer that has been “signed” by some trusted authority or third party. Several companies have been established to provide public and private keys for this purpose. Known as a *certification authority (CA)*, these organizations issue public keys to those individuals or organizations and vouches for their identity. The digital signature binds the person or company to that public key.

Certification authority (CA)

Here is the general process for creating a digital signature.

- 1.** The message to be sent is first put through the hash process to produce a digest.
- 2.** The digest is then encrypted by using the sender’s private key. The encrypted hash is the signature.
- 3.** That signature is appended as a header (or trailer) to the message to be transmitted. The combination is transmitted.
- 4.** At the receiving end, the signature is decrypted by using the sender’ public key. The result is the original hash of the message.
- 5.** The message itself is then put through the same hash function. The decrypted hash and the recreated hash are compared. If the two are the same, authentication is ensured.

Secure Socket Layer (SSL). The processes of page 608 encryption/decryption and authentication are used together to ensure secure transactions over the Internet. All these processes are combined into a protocol known as the *Secure Socket Layer (SSL)*. The resulting process renders the exchange of private information such as credit card numbers safe and secure. Without such a system, use of the Internet would be more limited. E-commerce simply would not exist without the safeguards of SSL. SSL or a more advanced version called *Transport Layer Security (TLS)* usually resides in layers 5, 6, or 7 of the OSI model. The SSL or TLS protocol is implemented in the browser software such as Microsoft Internet Explorer (IE) or Netscape. It uses public-key and private-key encryption and authentication via hashing. SSL was originally developed by Netscape, which invented the browser.

Secure Socket Layer (SSL)

Transport Layer Security (TLS)

To show how all these techniques are used, here is an example of an e-commerce transaction. This transaction is handled through the browser software as a person we call client X accesses the desired website-designated server Y via the Internet.

- 1.** Server X transmits its public key to client X. It is signed by a digital signature as described earlier.
- 2.** The client then generates a secret key.
- 3.** Client X uses the public key to encrypt the secret key, which is sent to server Y.
- 4.** Client X encrypts the message, using private-key encryption methods, and sends the message to server Y.
- 5.** Server Y decrypts the private key previously sent and then uses it to decrypt the message.
- 6.** Hashing and digital signatures are used throughout the process to ensure identity.

The encryption, decryption, and authentication processes are computationally intense. Even with very high-speed computers, the encryption, decryption, and hashing algorithms take considerable time to execute. The longer the key, ie., the longer the calculation time. This adds to the time of transmission via the Internet. The result can be a significant delay. This is the price to be paid for secure transmissions. Since most of these processes are software, using a faster computer will speed up the process. In more recent systems, hardware is used to speed up the process. Most security algorithms can be implemented in hardware. This hardware can be special processors or logic chips dedicated to the purpose. All significantly speed up the security measures.

Firewall

Firewalls. A *firewall* is a piece of software that monitors transmissions on a network and inspects the incoming information to see if it conforms to a set of guidelines established by the software or the organization or person owning the network. The firewall controls the flow of traffic from the Internet to a LAN or PC or between LANs or other networks.

The most common type of firewall operates at the network layer in the OSI model. It examines TCP/IP packets and acts as a filter to block access from inputs that do not match a set of rules set up in the firewall. The firewall screens packets for specific IP sources or destinations, packet attributes, domain name, or other factors. Firewalls are the first line of defense against intrusions by unwanted sources. Today, any computer connected to the Internet should have a firewall. These are available as a software program loaded into a PC that screens according to the guidelines set up by the software producer. Some operating systems such as Microsoft Windows now come with a built-in firewall. More

sophisticated firewalls are available for LANs and other networks. These usually can be configured by the network administrator to filter on special rules as needed by the organization.

Antivirus, Antispam, and Antispyware Software. There are commercial programs designed to be installed on a computer to find and eliminate these security problems. The antivirus and antispyware programs scan all files on the hard drive either automatically or on command, to look for viruses. The antivirus software looks for a pattern of code unique to each virus, and when it is identified, the software can remove the virus or in some cases quarantine and isolate the infected file so that it does no harm. Antispyware works the same way by scanning all files, searching for patterns that designate a spyware program. It then removes the program.

Antispam software is typically set up to monitor [page 609](#) incoming e-mail traffic and look for clues to whether it is legitimate e-mail or spam. It then blocks the spam from the e-mail inbox and places it in a special bulk e-mail file. You will never see the spam unless your e-mail system allows you to look in a special bulk file normally furnished by the e-mail provider. Antispam software is not perfect, and because of its rules for blocking spam it can also affect desired e-mail. It is worthwhile to examine the bulk files occasionally to be sure that legitimate e-mails are getting through. Most antispam programs allow you to change the filtering rules to ensure you get all desired mail while the real spam is rejected.

Virtual LAN

Virtual Private Network (VPN). One way to achieve security on a LAN is to use software measures to block off segments of a network or create a subnetwork using

software to assign access only to authorized users. This is referred to as a *virtual LAN* or *VLAN*. Security can also be achieved when you are connecting two remote LANs by using a leased line. The lease line, such as a T1 or T3 connection, is totally dedicated to just the connection between the LANs. No one else has access. While this works well, it is very expensive. A popular alternative is to create a secure connection through the Internet by using a *virtual private network (VPN)*. In a VPN, the data to be transmitted is encrypted, encapsulated in a special packet, and then sent over the Internet.

Virtual private network (VPN)

VPNs use one of two special protocols for the encapsulation and encryption process. One of these is IPsec (Internet Protocol security), a protocol created and supported by the Internet Engineering Task Force. IPsec encrypts the data along with the TCP header and then adds another header that identifies the kind of encryption used plus a trailer that contains the authentication. An IP header is added to form the datagram or packet to be transmitted.

Next, this datagram is encrypted and encapsulated in one additional IP datagram, which is also encrypted. The combined packet is transmitted. This process is referred to as *tunneling*. The packet containing the message is encrypted, which in turn is wrapped in a second IP packet and encrypted again. This in effect forms a secure tunnel through the otherwise insecure Internet. The routers at the sending and receiving ends of the VPN sort out all the source and destination addresses for the proper delivery of the data.

Tunneling

While IPsec has been widely used for VPNs, it is gradually being replaced by SSL, which is also an IETF standard. Both IPsec and SSL are usually implemented in software, but

hardware versions are available that greatly speed up transactions.

Wireless Security. Security in wireless systems is important because it is relatively easy to capture a radio signal containing important information. A directional antenna and sensitive receiver designed for the specific wireless service, such as a wireless LAN and a computer, are all you need. Wireless data can be protected by encryption, and a number of special methods have been developed especially for wireless systems. These are discussed later in the wireless chapters, Chaps. 21 and 22.

Internet security is a very broad and complex subject that is far beyond the scope of this chapter. It is one of the most critical and fastest-growing segments of the networking industry.

17-6 Internet Telephony

Internet telephony, also called *Internet Protocol (IP) telephony* or *Voice over Internet Protocol (VoIP)*, uses the Internet to carry digital voice telephone calls. VoIP, in effect, for the most part, bypasses the existing telephone system, but not completely. It has been in development for over a decade, but only recently has it become practical and popular. VoIP is a highly complex digital voice system that relies on high-speed Internet connections from cable TV companies, phone companies supplying DSL, and other broadband systems including wireless. It uses the Internet's vast fiber-optic cabling network to carry phone calls without phone company charges. This new telephony system is slowly replacing traditional phones, especially in large companies. It offers the benefits of lower long-distance calling charges and reduces the amount of new equipment needed, because phone service is essentially provided over

the same LAN that interconnects the PCs in an organization. VoIP is rapidly growing in use and in the future is expected to replace standard phones in many companies and homes. While the legacy PSTN will virtually never go away, over time it will play a smaller and smaller role as VoIP is more widely adopted or as more and more individuals choose a cell phone as their main telephone service.

Internet Protocol (IP)

Voice over Internet Protocol (VoIP)

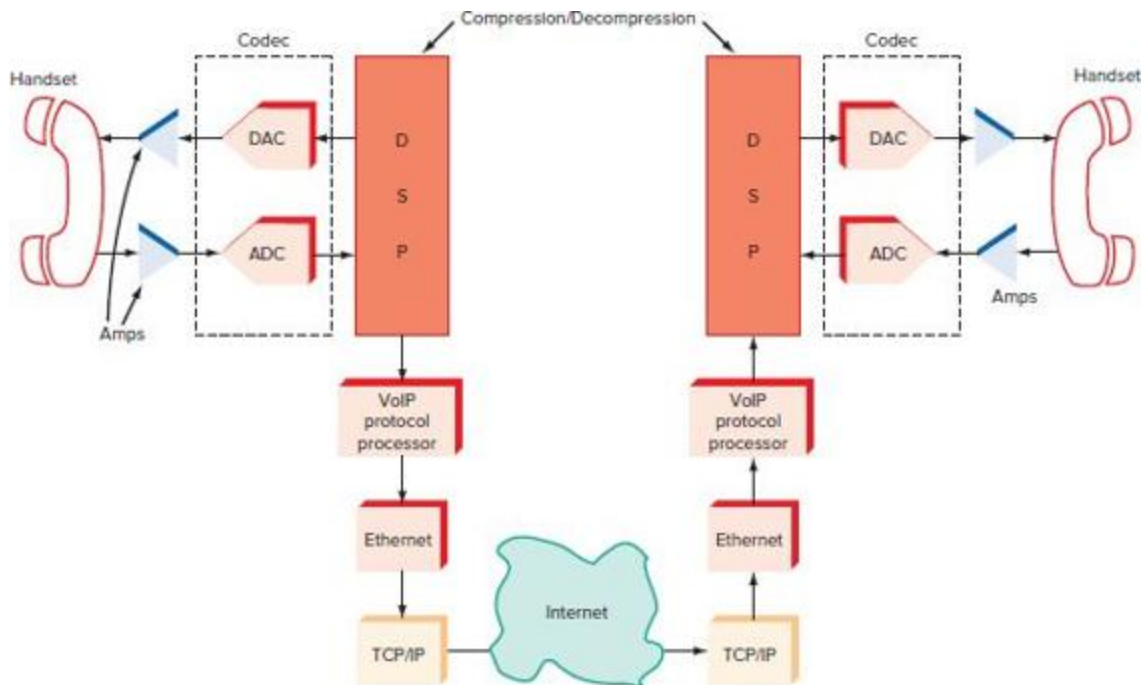
page 610

VoIP Fundamentals

There are two basic parts to an IP phone call: the “dialing” process, which establishes an initial connection, and the voice signal flow.

Voice Signal Flow. Fig. 17-16 shows the signal flow and major operations that take place during an IP phone call. The voice signal is first amplified and digitized by an analog-to-digital converter (ADC) that is part of a coder-decoder (codec) circuit, which also includes a digital-to-analog converter (DAC). The ADC usually samples the voice signal at 8 kHz and produces an 8-bit word for each sample. These samples occur one after another serially and therefore produce a 64-kbps digital signal. A relatively wide bandwidth is needed to transmit this bit stream (64 kHz or more). To reduce the data rate and the need for bandwidth, the bit stream is processed by a voice encoder that compresses the voice signal. This compression is usually done by DSP either in a separate DSP processor chip or as hardwired logic on a larger chip. The output is at a greatly reduced serial digital data rate.

Figure 17-16 Signal flow in a VoIP system.



The type of compression used is determined by International Telecommunications Union standards. Various mathematical algorithms beyond the scope of this text are used. The 64-kbps digital signal is designated as standard G.711 and is better known as *pulse-code modulation (PCM)*, covered earlier in this book. Standard G.729a is probably the most common compression standard used and results in an 8-kbps digital voice signal. Another popular standard is G.723, which produces an even more highly compressed 5.3-kbps signal at the expense of some voice quality. Numerous other compression standards are used, and they are selected based upon the application. Most VoIP phones contain all the common compression standard algorithms in the DSP memory for use as called for. The signal is also processed in the DSP to provide echo cancellation, a problem in digital telephony.

The resulting serial digital signal is put into a page 611 special packet by a microcomputer processor running a VoIP protocol and then transmitted by Ethernet over a LAN or via a high-speed Internet connection such as

is available from a cable TV company or on DSL. From there the signal travels over standard available Internet connections using TCP/IP through multiple servers and routers until it comes to the desired location.

At the receiving phone, the process is reversed. The Internet signal gets converted back to Ethernet, and then the VoIP processor recovers the original packet. From there, the compressed data is extracted, decompressed by a DSP, and sent to the DAC in the codec where the original voice is heard.

One of the main problems with VoIP is that it takes a relatively long time to transmit the voice data over the Internet. The packets may take different routes through the Internet, each adding transit time or latency. *Latency* is the delay between the time the signal is transmitted and the time it is received. It has been determined that the maximum acceptable latency is about 150 ms. Any delay longer than 150 ms is annoying to the user.

Latency

Link Establishment. In the PSTN, the dialing process initiates multiple levels of switching that literally connects the calling phone to the called phone. That link is maintained for the duration of the call because the switches stay in place and the electronic paths stay dedicated to the call. In Internet telephony, no such temporary dedicated link is established because of the packetized nature of the system. Yet some method must be used to get the voice data to the desired phone. This is taken care of by a special protocol developed for this purpose. The initial protocol used was the ITU H.323. Today, however, a newer protocol established by the Internet Engineering Task Force (IETF) called the *session initiation protocol (SIP)* has been adopted as the de facto standard. In both cases, the protocol sets up the call and then makes sure that the voice packets

produced by the calling phone get sent to the receiving phone in a timely manner.

Session initiation protocol (SIP)

CHAPTER REVIEW

Online Activity

17-1 Internet Details

Objective: To dig deeper into Internet technology.

Procedure: Using standard search procedures, provide answers to the questions below.

Questions:

1. What is the name of the organization that assigns Internet names and addresses?
2. Name three organizations that host the websites of others.
3. Which is more widely used, IPv4 or IPv6?
4. What organization standardizes OTN?
5. What is the physical medium for the Internet backbone?
6. Which security software is part of every browser?

Questions

page 612

1. List five common applications of the Internet.
2. In the Internet address *www.qxrj.net*, what is the type of domain and what is the host?

- 3.** What symbol or character designates an e-mail address?
- 4.** Name the three most common ways that a person accesses the Internet from home.
- 5.** What do you call the company that provides an Internet connection to subscribers?
- 6.** What piece of software is needed to access the World Wide Web?
- 7.** What networking technology is gradually replacing FR, ATM, and SONET in the backbone?
- 8.** Explain the cloud.
- 9.** What is the physical layer of the cloud?
- 10.** What else besides data is stored in the cloud?
- 11.** Explain SaaS.
- 12.** Define virtualization as it applies to networks.
- 13.** Explain what a VM is?
- 14.** What software implements virtualization?
- 15.** What are the benefits of virtualization?
- 16.** What is the fastest current OTN data rate?
- 17.** What is the maximum payload of an OTN frame?
- 18.** What FEC is used in OTN?
- 19.** What specifically does a router look for during packet transmission?
- 20.** How does a router know where to send a packet?
- 21.** What is the name of the basic input/output interfaces used in routers?
- 22.** What is the name of the circuit that lets any input be connected to any output in a router?
- 23.** Why is the line rate of an OTN packet higher than the actual data rate?
- 24.** What is the name of the circuit used for serial-to-parallel conversion?
- 25.** What is the name given to the fiber-optic network making up the Internet?
- 26.** What WAN transmission media and protocols are used in the Internet?

- 27.** Explain the process of packet switching.
- 28.** What is the name of the equipment used to inspect every packet transmitted over the Internet?
- 29.** What software protocol prepares packets for transmission over the Internet?
- 30.** What software protocol actually transmits the packets?
- 31.** What software makes sure that any packets transmitted out of sequence get reassembled correctly?
- 32.** Is TCP actually called into play during a packet's transmission from source to destination? Explain.
- 33.** Name the two basic speeds of the Internet backbone.
- 34.** What name is given to the format of an IP address?
- 35.** How many different classes of IP addresses are there?
- 36.** What devices are identified by IP addresses in classes A, B, and C?
- 37.** In the IP address 133.46.182.9, identify the class, network ID, and host ID.
- 38.** What is a mask?
- 39.** What logical process is used with the mask and the IP address?
- 40.** What is a subnet?
- 41.** What are the two names given to clusters of disk drives used for massive storage?
- 42.** What is the name given to external disk drives connected to a PC or server via the SCSI?
- 43.** What is SCSI? What is its nickname?
- 44.** Name the two kinds of large-scale storage system networked to PCs. What is the main difference between them?
- 45.** In a SAN, what is the name of the interface and protocol used in connecting the disk drive systems to the servers?
- 46.** What is the physical medium used in an FC system?
- 47.** What are the speeds of transmission of an FC system?

- 48.** Name the interface used to attach a server or disk system to the SAN.
- 49.** How are servers and disk systems connected to one another in a SAN?
- 50.** What is the name of the SAN interface used in place of FC?
- 51.** What is the advantage of the SAN interface in Question 43 over FC? Its disadvantage?
- 52.** What protocol and medium are commonly used with iSCSI?
- 53.** List four common Internet security threats.
- 54.** What is the name given to a virus that replicates itself?
- 55.** True or false? Spam and spyware are illegal.
- 56.** What is spyware?
- 57.** How do you detect and get rid of spam, spyware, and viruses?
- 58.** Name the two broad types of encryption and decryption.
- 59.** What are the names given to the input and output of an encryption algorithm?
- 60.** What is a key?
- 61.** What is the primary problem with secret key encryption?
- 62.** How does public key encryption work?
- 63.** Name four specific methods of secret key encryption.
- 64.** Name two specific methods of public key encryption.
- 65.** What approach is used to make encryption stronger and more resistant to brute-force computing efforts to break it?
- 66.** What is a hash function? Name the two most common types.
- 67.** What is the purpose of a digital signature?
- 68.** What protocol is used for authentication and encryption in e-commerce transactions?
- 69.** What is a firewall?

- 70.** Explain the operation of a VPN.
- 71.** What two protocols are used to establish a VPN?
- 72.** True or false? Security procedures may also page 613
be implemented in hardware.
- 73.** What is the name of the circuit that does the data conversion in an IP phone?
- 74.** What are the designations of the basic protocol standard used to implement VoIP?
- 75.** What are some of the standards for compression and decompression used in IP phones?
- 76.** Why is compression needed in IP phones?
- 77.** How are compression and decompression accomplished in an IP phone?
- 78.** What two transmission protocols are widely used in sending and receiving IP phone calls?
- 79.** What effect greatly degrades the quality of a VoIP call and makes it annoying? What causes this problem?

Problems

- 1.** What is the shortest time for transmitting 50 ATM packets at 2.5 Gbps? ◆
- 2.** How many bits does it take to represent an IPv4 address of 124.76.190.38?
- 3.** Convert the IPv4 address 222.155.8.17 to binary and hexadecimal. ◆
- 4.** Logically AND the number 125 with 128, 0, 15, and 240. Express the result in decimal.
- 5.** How many bits and octets are there in the IPv6 address of:
0123:2456:789A:BCDE:F987:6543:210A:EF75? ◆

◆ *Answers to Selected Problems follow Chap. 23.*

Critical Thinking

1. Besides its use in SANs, where else could Fibre Channel be used?
2. How many keys are needed in secret-key encryption? Public-key encryption?
3. Can a RAID be accessed by a PC over the Internet? Explain.
4. Suggest some ways to avoid wireless security problems without encryption.

*Portions of this section are reprinted with permission from *Electronic Design*, November 20, 2000. Copyright 2000. Penton Media Inc.

*Some of the material in the OTN section was taken from the article "Optical Primed to Handle Data-Speed Demand," by Louis E. Frenzel, in *Electronic Design* magazine, June 24, 2011.

*Courtesy of Walter Currier, Assistant Professor of Computer and Electrical Engineering at Liberty University, Lynchburg, VA.

Microwave and Millimeter-Wave Communication

As the use of electronic communication has increased over the years, the frequency spectrum normally used for radio signals has become extremely crowded. In addition, there has been an increasing need for more spectrum space to carry wider-bandwidth video and faster digital information. One of the primary solutions to this problem has been to move more radio communication higher in the spectrum, specifically the microwave and millimeter-wave range, the 1- to 300-GHz range.

Today, thanks to advances in semiconductor technology, microwaves and millimeter waves are now being more widely used. This has opened the microwave spectrum to all sorts of new services, which include wireless local-area networks, cellular and cordless phones, short-range wireless, wireless backhaul, digital satellite radio, and wireless broadband, to name a few. In this chapter, we take a look at some of the components and techniques used in modern microwave radios.

Objectives

After completing this chapter, you will be able to:

- Explain the reasons for the growing use of microwaves and millimeter waves in communications.
- Identify the microwave and millimeter-wave band segments.
- Identify the circuits that require the use of special microwave components.
- Define the term *waveguide*, explain how a waveguide works, and calculate the cutoff frequency of a waveguide.
- Explain the purpose and operation of direction couplers, circulators, isolators, T sections, cavity resonators, and microwave vacuum tubes.
- Describe the operation of the major types of microwave diodes. page 615
- Name five common types of microwave antennas and calculate the gain and beam width of horn and parabolic dish antennas.
- Explain the basic concepts and operation of pulsed and Doppler radar.

18-1 Microwave Concepts

Microwaves are the ultrahigh, superhigh, and extremely high frequencies directly above the lower frequency ranges where most radio communication now takes place and below the optical frequencies that cover infrared, visible, and ultraviolet light. The outstanding benefits for radio communication of these extremely high frequencies and accompanying short wavelengths more than offset any problems connected with their use. Today, most new communication services and equipment use microwaves or the millimeter-wave bands.

Microwave

Microwave Frequencies and Bands

The practical microwave region is generally considered to extend from 1 to 30 GHz, although some definitions include frequencies up to 300 GHz. Microwave signals of 1 to 30 GHz have wavelengths of 30 cm (about 1 ft) to 1 cm (or about 0.4 in).

GOOD TO KNOW

The term *millimeter wave*, is often spelled as “mmWave.”

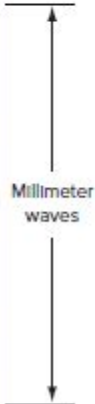
The microwave frequency spectrum is divided up into groups of frequencies, or bands, as shown in Fig. 18-1. Frequencies above 30 GHz are referred to as *millimeter waves* because their wavelength is only millimeters (mm). Note that parts of the L and S bands overlap part of the UHF band, which is 300 to 3000 MHz. Recent developments in semiconductor technology, such as smaller-geometry silicon and GaN, have made millimeter waves practical and useful. Frequencies above 300 GHz are in the *submillimeter band*. Currently the only communication in the submillimeter ranges is for research and experimental activities.

Millimeter wave

Submillimeter wave

Figure 18-1 Microwave and millimeter-wave frequency bands.

Band designation	Frequency range
L band	1 to 2 GHz
S band	2 to 4 GHz
C band	4 to 8 GHz
X band	8 to 12 GHz
K _U band	12 to 18 GHz
K band	18 to 26.5 GHz
K _a band	26.5 to 40 GHz
Q band	30 to 50 GHz
U band	40 to 60 GHz
V band	50 to 75 GHz
E band	60 to 90 GHz
W band	75 to 110 GHz
F band	90 to 140 GHz
D band	110 to 170 GHz
Submillimeter	>300 GHz



GOOD TO KNOW

Based on the definition of microwaves being anything above 1 GHz, then most of the wireless technologies we use today operate in the microwave region. Some prominent examples are Bluetooth, Wi-Fi, satellite radio and TV, cordless telephones, and many new cellular systems. Most new wireless products will use microwaves or millimeter waves.

Benefits of Microwaves

page 616

Every electronic signal used in communication has a finite bandwidth. When a carrier is modulated by an information signal, sidebands are produced. The resulting signal occupies a certain amount of bandwidth, called a *channel*, in the radio-frequency (RF) spectrum. Channel center frequencies are assigned in such a way that the signals using each channel do not overlap and interfere with signals in adjacent channels. As the number of communication

signals and channels increases, more and more of the spectrum space is used up. Over the years as the need for electronic communication has increased, the number of radio communication stations has increased dramatically. As a result, the radio spectrum has become extremely crowded.

Channel

Use of the radio-frequency spectrum is regulated by the federal government. In the United States, this job is assigned to the Federal Communications Commission (FCC). The FCC establishes various classes of radio communication and regulates the assignment of spectrum space. For example, in radio and TV broadcasting, certain areas of the spectrum are set aside, and frequency assignments are given to stations. For two-way radio communication, other portions of the spectrum are used. The various classes of radio communication are assigned specific areas in the spectrum within which they can operate. Over the years, the available spectrum space, especially below 300 MHz, has essentially been used up. In many cases, communication services must share frequency assignments. In some areas, new licenses are no longer being granted because the spectrum space for that service is completely full. In spite of this, the demand for new electronic communication channels continues. The FCC must, on an ongoing basis, evaluate users' needs and demands and reassign frequencies as necessary. Many compromises have been necessary.

GOOD TO KNOW

Most new communication services and equipment use microwaves.

Technological advances have helped solve some problems connected with overcrowding. For example, the selectivity

of receivers has been improved so that adjacent channel interference is not as great. This permits stations to operate on more closely spaced frequencies.

On the transmitting side, new techniques have helped squeeze more signals into the same frequency spectrum. A classic example is the use of single-sideband modulation (SSB), where only one sideband is used rather than two, thereby cutting the spectrum usage in half. Limiting the deviation of frequency modulated (FM) signals also helps to reduce bandwidth. In data communication, new modulation techniques such as phase-shift keying (PSK) and quadrature amplitude modulation (QAM) have been used to narrow the required bandwidth of transmitted information or to transmit at higher speeds in narrower bandwidths. Digital compression methods also transmit more information through a narrow channel. Multiplexing techniques help put more signals or information into a given bandwidth. Broadband schemes such as spread spectrum and *orthogonal frequency-division multiplexing (OFDM)* allow many radios to share a single bandwidth.

The other major approach to solving the problem of spectrum crowding has been to move into the higher frequency ranges. Initially, the VHF and UHF bands were tapped. Today, most new communication services are assigned to the microwave and millimeter-wave regions.

To give you some idea why more bandwidth is available at the higher frequencies, let's take an example. Consider a standard AM broadcast station operating on 1000 kHz. The station is permitted to use modulating frequencies up to 5 kHz, thus producing upper and lower sidebands 5 kHz above and below the carrier frequency, or 995 and 1005 kHz. This gives a maximum channel bandwidth of $1005 - 995 = 10$ kHz. This bandwidth represents $10/1000 = 0.01$ or 1 percent of the spectrum space at that frequency.

Now consider a microwave carrier frequency of 4 GHz. One percent of 4 GHz is $0.01 \times 4,000,000,000 = 40,000,000$ or 40 MHz. A

bandwidth of 40 MHz is incredibly wide. In fact, it represents all the low-frequency, medium-frequency, and high-frequency portions of the spectrum plus 10 MHz. This is the space that might be occupied by a 4-GHz carrier modulated by a 20-MHz information signal. Obviously, most information signals do not require that kind of bandwidth. A voice signal, e.g., would take up only a tiny fraction of that. A 10-kHz AM signal represents only $10,000/4,000,000,000 = 0.00025$ percent of 4 GHz. Up to 4000 AM broadcast stations with 10-kHz bandwidths could be accommodated within the 40-MHz (1 percent) bandwidth.

GOOD TO KNOW

The great amount of spectrum space available in the microwave region makes multiplexing and the transmission of binary information, both of which require wide bandwidths, more easily achievable.

Obviously, then, the higher the frequency, the greater the bandwidth available for the transmission of information. This not only gives more space for individual stations but also allows wide-bandwidth information signals such as video and high-speed digital data to be accommodated.

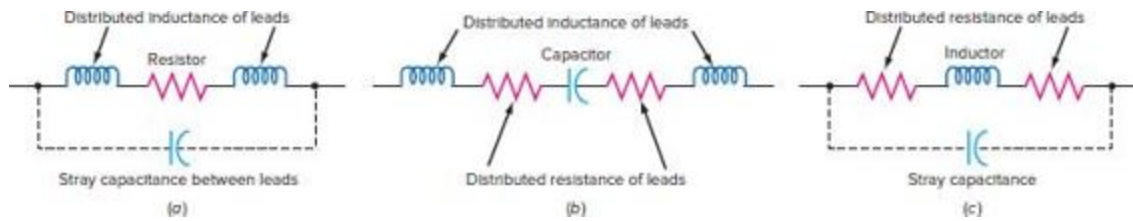
Wide bandwidth also makes it possible to use various multiplexing techniques to transmit more information. Multiplexed signals generally have wide bandwidths, but these can be easily handled in the microwave region. Finally, transmission of high-speed binary information usually requires wide bandwidths, and these are also easily transmitted on microwave frequencies.

Disadvantages of Microwaves and Millimeter Waves

The higher the frequency, the more difficult it becomes to analyze electronic circuits. The analysis of electronic circuits at lower frequencies, say, those below 30 MHz, is based upon current-voltage relationships (circuit analysis). Such relationships are simply not usable at microwave frequencies. Instead, most components and circuits are analyzed in terms of electric and magnetic fields (wave analysis). Thus techniques commonly used for analyzing antennas and transmission lines can also be used in designing microwave circuits. Measuring techniques are, of course, also different. In low-frequency electronics, currents and voltages are calculated. In microwave circuits, measurements are of electric and magnetic fields. Power measurements are more common than voltage and current measurements.

Residuals. Another problem is that at microwave frequencies, conventional components become difficult to implement. For example, a common resistor that looks like pure resistance at low frequencies does not exhibit the same characteristics at microwave frequencies. The short leads of a resistor, although they may be less than an inch, represent a significant amount of inductive reactance at very high frequencies. A small capacitance also exists between the leads. These small stray and distributed reactances are sometimes called *residuals*. Because of these effects, at microwave frequencies a simple resistor looks like a complex *RLC* circuit. This is also true of inductors and capacitors. Fig. 18-2 shows equivalent circuits of components at microwave frequencies.

Figure 18-2 Equivalent circuits of components at microwave frequencies. (a) Resistor. (b) Capacitor. (c) Inductor.



To physically realize resonant circuits at microwave frequencies, the values of inductance and capacitance must be smaller and smaller. Physical limits become a problem. Even a 0.5-in piece of wire represents a significant amount of inductance at microwave frequencies. Tiny surface-mounted chip resistors, capacitors, and inductors have partially solved this problem. Furthermore, as integrated-circuit dimensions have continued to decrease, smaller and smaller on-chip inductors and capacitors have been made successfully.

Another solution is to use distributed circuit elements, such as transmission lines, rather than lumped components, at microwave frequencies. When transmission lines are cut to the appropriate length, they act as inductors, capacitors, and resonant circuits. Special versions of transmission lines known as striplines, microstrips, waveguides, and cavity resonators are widely used to implement tuned circuits and reactances.

In addition, because of inherent capacitances and page 618 inductances, conventional semiconductor devices such as diodes and transistors simply will not function as amplifiers, oscillators, or switches at microwave frequencies.

Transit Time. Another serious problem is transistor *transit time*—the amount of time it takes for the current carriers (holes or electrons) to move through a device. At low frequencies, transit times can be neglected; but at microwave frequencies, they are a high percentage of the actual signal period.

This problem has been solved by designing smaller and smaller microwave diodes, transistors, and ICs and using special materials such as gallium arsenide (GaAs), indium phosphide (InP), and silicon germanium (SiGe) in which transit time is significantly less than in silicon. In addition, specialized components have been designed for microwave applications. This is particularly true for power amplification, where special vacuum tubes known as klystrons, magnetrons, and traveling-wave tubes are the primary components used for power amplification. However, newer GaN semiconductor transistors are now useful well into the millimeter-wave range.

Line of Sight. Another problem is that microwave signals, as do light waves, travel in perfectly straight lines. This means that the communication distance is usually limited to line-of-sight range. Antennas must be very high for long-distance transmission. Microwave signals penetrate the ionosphere, so multiple-hop communication is not possible. The physics of electromagnetic waves indicates that the shorter the wavelength and the higher the frequency, the shorter the transmission range for a given power or antenna gain.

Microwave Communication Systems

Like any other communication system, a microwave communication system uses transmitters, receivers, and antennas. The same modulation and multiplexing techniques used at lower frequencies are also used in the microwave range. But the RF part of the equipment is physically different because of the special circuits and components that are used to implement the components.

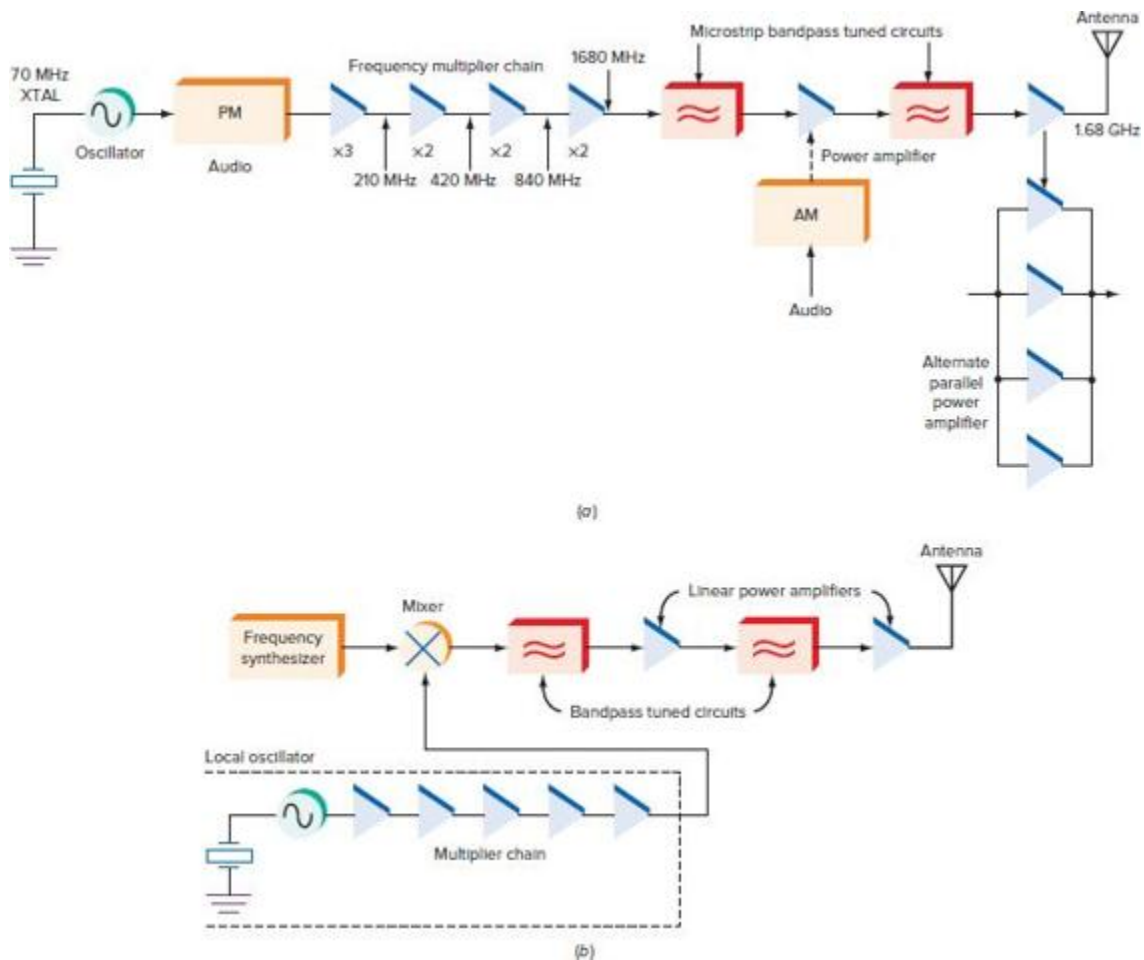
Transmitters. Like any other transmitter, a *microwave transmitter* starts with a carrier generator and a series of

amplifiers. It also includes a modulator followed by more stages of power amplification. The final power amplifier applies the signal to the transmission line and antenna. The carrier generation and modulation stages of a microwave application are similar to those of lower-frequency transmitters. Only in the later power amplification stages are special components used.

Microwave transmitter

Fig. 18-3 shows several ways that microwave transmitters are implemented. The special microwave stages and components are shaded. In the transmitter circuit shown in Fig. 18-3(a), a microwave frequency is first generated in the last multiplier stage. The operating frequency is 1680 MHz, where special microwave components and techniques must be used. Instead of tuned circuits made of loops of wire for inductors and discrete capacitors, microstrip transmission lines are used as tuned circuits and as impedance-matching circuits. Surface acoustic wave (SAW) filters are the most commonly used filters in low-power circuits. One or more additional power amplifiers are then used to boost the signal to the desired power level. Both bipolar and MOSFET microwave power transistors are available that give power levels up to several hundred watts. When FM is used, the remaining power amplifiers can also be class C, which provides maximum efficiency. For phase modulation and QAM, linear amplifiers are needed. If more power is desired, several transistor power amplifiers can be paralleled, as in Fig. 18-3(a).

Figure 18-3 Microwave transmitters. (a) Microwave transmitter using frequency multipliers to reach the microwave frequency. The red blocks operate in the microwave region. (b) Microwave transmitter using up-conversion with a mixer to achieve an output in the microwave range.



If AM is used in a circuit like that in Fig. 18-3(a), an amplitude modulator can be used to modulate one of the lower-power amplifier stages after the multiplier chain. When this is done, the remaining power amplifier stages must be linear amplifiers to preserve the signal modulation.

For very high-power output levels—beyond page 619 several hundred watts—a special amplifier must be used, e.g., the klystron.

Fig. 18-3(b) shows another possible transmitter arrangement, in which a mixer is used to up-convert an initial carrier signal with or without modulation to the final microwave frequency.

The synthesizer output and a microwave local oscillator signal are applied to the mixer. The mixer then translates

the signal up to the desired final microwave frequency. A conventional crystal oscillator using fifth-overtone VHF crystals followed by a chain of frequency multipliers can be used to develop the local oscillator frequency. Alternatively, one of several special microwave oscillators could be used, e.g., a Gunn diode, a microwave semiconductor in a cavity resonator, or a dielectric resonator oscillator.

The output of the mixer is the desired final frequency at a relatively low power level, usually tens or hundreds of milliwatts at most. Linear power amplifiers are used to boost the signal to its final power level. At frequencies less than about 10 GHz, a microwave transistor can be used. At the higher frequencies, special microwave power tubes are used.

The tuned bandpass circuits shown in Fig. 18-3(b) page 620 can be microstrip transmission lines when transistor circuits are used, or cavity resonators when the special microwave tubes are used.

Modulation could occur at several places in the circuit in Fig. 18-3(b). An indirect FM phase modulator might be used at the output of the frequency synthesizer; for some applications, a PSK modulator would be appropriate.



Each of these microwave antennas located in Stephen Butte, Washington, is specifically designed for long-distance telephone signal transmission. They are covered to reduce weather-related maintenance problems.

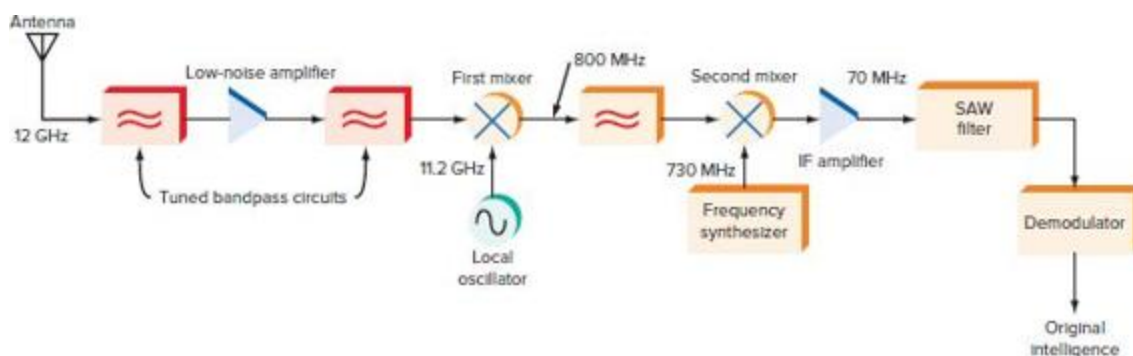
Randy Wells/The Image Bank/Getty Images

Receivers. *Microwave receivers*, like low-frequency receivers, are the superheterodyne type. Their front ends are made up of microwave components. Most receivers use double conversion. A first down-conversion gets the signal into the UHF or VHF range, where it can be more easily processed by standard methods. A second conversion reduces the frequency to an IF appropriate for the desired selectivity.

Fig. 18-4 is a general block diagram of a double-conversion microwave receiver. The antenna is connected to

a tuned circuit, which could be a cavity resonator or a microstrip or stripline tuned circuit. The signal is then applied to a special RF amplifier known as a *low-noise amplifier (LNA)*. Special low-noise transistors, usually gallium arsenide FET amplifiers, must be used to provide some initial amplification. Another tuned circuit connects the amplified input signal to the mixer. Most mixers are of the doubly balanced diode type, although some simple single-diode mixers are also used.

Figure 18-4 A microwave receiver. The red blocks denote microwave circuits.



The local oscillator signal is applied to the mixer. The mixer output is usually within the UHF or VHF range. The 700- to 800-MHz range is typical. A SAW filter selects out the difference signal, which in Fig. 18-4 is $12\text{ GHz} - 11.2\text{ GHz} = 0.8\text{ GHz}$, or 800 MHz.

The remainder of the receiver is typical of other superheterodynes. Note that the desired selectivity is obtained with a SAW filter, which is sometimes used to provide a specially shaped IF response. Many of the newer microwave cell phone and LAN receivers are of the direct conversion type, and selectivity is obtained with RC and DSP filters.

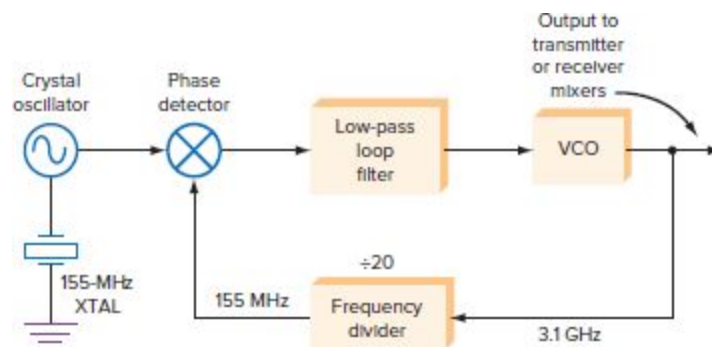
In more recent microwave equipment such as cell phones and wireless networking interfaces, the microwave frequencies are generated by a phase-locked loop (PLL)

operating as a multiplier. See Fig. 18-5. The voltage-controlled oscillator (VCO) produces the desired local oscillator (LO) or final transmitting frequency directly. The VCO frequency is controlled by the phase detector and its low-pass loop filter. The frequency divider and input crystal determine the output frequency. Recent advances in quartz crystal design permit input oscillator frequencies up to 200 MHz. In Fig. 18-5, the 155-MHz crystal combined with a frequency divider of 20 produces a VCO output at $155 \times 20 = 3100$ MHz, or 3.1 GHz. The $\div 20$ divider reduces the 3.1-GHz output to 155 MHz to match the input crystal signal at the phase detector, as required for closed-loop control. Of course, the divider can also be part of a microcontroller-based frequency synthesizer that is designed to permit setting the output to multiple channel frequencies as required by the application.

Microwave receivers

Low-noise amplifier (LNA)

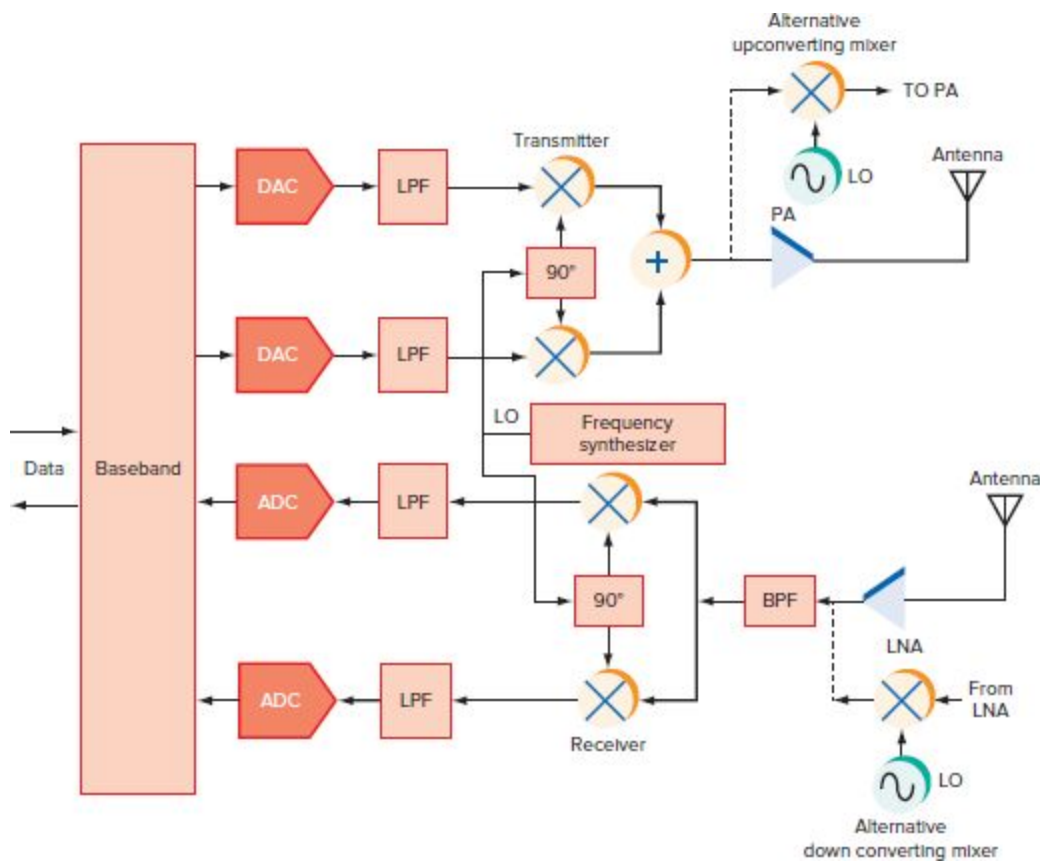
Figure 18-5 A phase-locked loop (PLL) multiplier is the primary signal source in modern microwave transceivers.



A more common architecture today is direct-conversion transmitters and receivers using I/Q modulators and demodulators, as shown in Fig. 18-6. Most modulation, such as QPSK or QAM, is performed by DSP in a baseband processor. The baseband processor produces the digital in-

phase (I) and quadrature (Q) signals defining the modulation from the data input. In the transmitter, the I/Q signals are sent to DACs where they are converted to analog signals and filtered in a low-pass filter (LPF) and then sent to mixers. The mixers receive the local oscillator (LO) signals from a 90° phase shifter driven by the frequency synthesizer that sets the transmit frequency. The mixer outputs are added to create the final signal, which is amplified in a power amplifier (PA) before being sent to the antenna.

Figure 18-6 A direct conversion microwave transceiver.



The I/Q modulator is in integrated circuit (IC) form page 622 and can usually handle signals in the 200-MHz to 6-GHz range. If a higher final frequency is needed, the modulator output is sent to an up-converting mixer with its

own local oscillator. The resulting higher frequency is then sent to the PA.

At the receiver, the signal from the antenna is fed to a low-noise amplifier (LNA) and a bandpass filter (BPF) to define the bandwidth. The signal is then sent to the mixers in the I/Q demodulator. If higher frequencies are involved, the LNA signal may go to a down-converting mixer first and then to the I/Q demodulator mixers. The signal is then mixed with the LO signal from the synthesizer at the signal frequency. The mixer outputs are then filtered and sent to ADCs, where the digital I/Q signals are generated. These I/Q signals are then processed in the baseband circuits to recover the original data.

Transmission Lines. The transmission line most commonly used in lower-frequency radio communication is coaxial cable. However, coaxial cable has very high attenuation at microwave frequencies, and conventional cable is unsuitable for carrying microwave signals except for very short runs, usually several feet or less. Newer types of coaxial cables permit lengths of up to 100 ft at frequencies to 50 GHz.

Special microwave coaxial cable that can be used on the lower microwave bands—L, S, and C—is made of hard tubing rather than wire with an insulating cover and a flexible braid shield. The stiff inner conductor is separated from the outer tubing with spacers or washers, forming low-loss coaxial cable known as *hard-line* cable. The insulation between the inner conductor and the outer tubing can be air; in some cases, a gas such as nitrogen is pumped into the cable to minimize moisture buildup, which causes excessive power loss. This type of cable is used for long runs of transmission lines to an antenna on a tower. At higher microwave frequencies, C band and upward, a special hollow rectangular or circular pipe called *waveguide* is used for the transmission line (see Sec. 18-3).

Hard line

Waveguide

Antennas. At low microwave frequencies, standard antenna types, including the simple dipole and the one-quarter wavelength vertical antenna, are still used. At these frequencies, antenna sizes are very small; e.g., the length of a half-wave dipole at 2 GHz is only about 3 in. A one-quarter wavelength vertical antenna for the center of the C band is only about 0.6 in long. At the higher frequencies, special antennas are generally used (see Sec. 18-6).

18-2 Microwave Transmission Lines and Devices

Today, although vacuum tubes and microwave tubes such as the klystron and magnetron are still used, especially for higher-power applications, most microwave systems use *transistor amplifiers*. Over the years, semiconductor manufacturers have learned to make transistors work at these higher frequencies. Special geometries are used to make bipolar transistors that provide both voltage and power gain at frequencies up to 100 GHz. Microwave FET transistors have also been created such as the MESFET described in Chap. 9. The use of gallium arsenide (GaAs) and silicon germanium (SiGe) rather than pure silicon has further increased the frequency capabilities of MOSFETs and bipolars. Both small-signal and power MOSFETs are available to operate at frequencies up to about 50 GHz. GaN power FETs are now commonly used at frequencies to 50 GHz. Because most microwave communication activity takes place in the lower-frequency ranges (L, S, and C bands), transistors are the primary active components used.

Microwave transistor amplifier

GOOD TO KNOW

Special microwave coaxial cable called *hard line*, which is made of hard tubing rather than wire with an insulating cover, can be used on the lower microwave bands.

In the following sections, we discuss both discrete transistor types with microstrip tuned circuits and *monolithic microwave integrated circuits (MMICs)*.

Monolithic microwave integrated circuits (MMICs)

Microstrip Tuned Circuits

page 623

Before specific amplifier types are introduced, it is important to examine the method by which tuned circuits are implemented in microwave amplifiers. Lumped components such as coils and capacitors are still used in some cases at the high UHF and low microwave frequencies (below about 2 GHz) to create resonant circuits, filters, or impedance-matching circuits. However, at higher frequencies, standard techniques for realizing such components become increasingly harder to implement. Instead, transmission lines, specifically *microstrip*, are used.

Microstrip tuned circuit

Microstrip

Chap. 13 described how transmission lines can be used as inductors and capacitors as well as series and parallel resonant circuits. These are readily implemented at the microwave frequencies because one-half or one-quarter wavelength transmission lines are only inches or some fraction thereof at those frequencies. Microstrip is preferred for reactive circuits at the higher frequencies because it is simpler and less expensive than stripline, but stripline is used where shielding is necessary to minimize noise and

cross talk. The tuned circuits are created by using a copper pattern *printed-circuit board (PCB)* upon which are mounted the transistors, ICs, and other components of the circuit.

Fig. 18-7 shows several views of microstrip transmission line used for a reactive circuit. The PCB is usually made of G-10 or FR-4 fiberglass or a combination of fiberglass and Teflon. The bottom of the PCB is a thin solid copper sheet that serves as a ground plane and one side of the transmission line. The copper strip is the other conductor of the transmission line.

Figure 18-7 Microstrip transmission line used for reactive circuits. (a) Perspective view. (b) Edge or end view. (c) Side view (open line). (d) Side view (shorted line).



Fig. 18-7(a) is a perspective view of a microstrip line, Fig. 18-7(b) is an end view, and Fig. 18-7(c) and (d) are side views. Both open and shorted segments of line can be used, although shorted segments are preferred because they do not radiate as much as open segments. One-quarter wavelength sections are preferred because they are shorter and take up less space on the PCB. Fig. 18-8 summarizes the open- and shorted-line possibilities for microstrip.

Figure 18-8 Equivalent circuits of open and shorted microstrip lines.

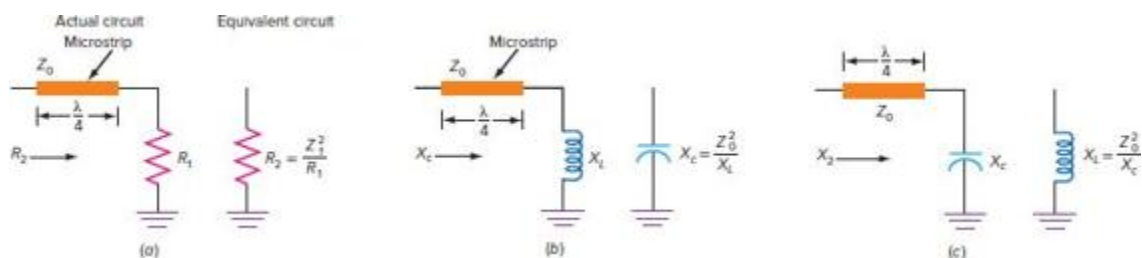
Length	Shorted Lines	Open Lines
Less than $\lambda/4$	Inductor	Capacitor
$\lambda/4$	Parallel resonant or open circuit	Series resonant or short circuit
$> \lambda/4, < \lambda/2$	Capacitor	Inductor
$\lambda/2$	Series resonant circuit or short repeater	Parallel resonant circuit or open repeater

An important characteristic of microstrip is its impedance. As discussed in Chap. 13, the characteristic impedance of a transmission line depends on its physical characteristics, in this case, e.g., on the width of the strip and the spacing between the strip and the copper ground plane, which is the thickness of the PCB material. The dielectric constant of the insulating material is also a factor. Most characteristic impedances are less than $100\ \Omega$; $50\ \Omega$ is the most common, followed closely by $75\ \Omega$. Values higher than $100\ \Omega$ are used for cases when impedance-matching requirements demand it.

One-quarter wavelength transmission line can be used to make one type of component look like another. For example, in Fig. 18-9(a), the $\lambda/4$ microstrip line can make a resistor at one end look like a resistance of another value; specifically,

$$R_2 = \frac{Z_0^2}{R_1}$$

Figure 18-9 How a one-quarter wavelength microstrip can transform impedances and reactances.



Here R_1 is the resistance value of the resistor connected to one end of the line, and Z_0 is the characteristic impedance of the microstrip, such as $50\ \Omega$. If R_1 is the characteristic impedance of the microstrip, such as $50\ \Omega$, the line is matched and the generator sees $50\ \Omega$. If R_1 is $150\ \Omega$, then the other end of the line will have a value of R_2 , or

$$\frac{50^2}{150} = \frac{2500}{150} = 16.67\ \Omega$$

This application is the same as the one-quarter [page 624](#) wavelength matching transformer or Q section discussed in Chap. 16. Recall that two impedances can be matched by using a line of length $\lambda/4$ according to the relationship $Z_0 = \sqrt{R_1 R_2}$, where Z_0 is the characteristic impedance of the one-quarter wavelength line and R_1 and R_2 are the input and output impedances to be matched.

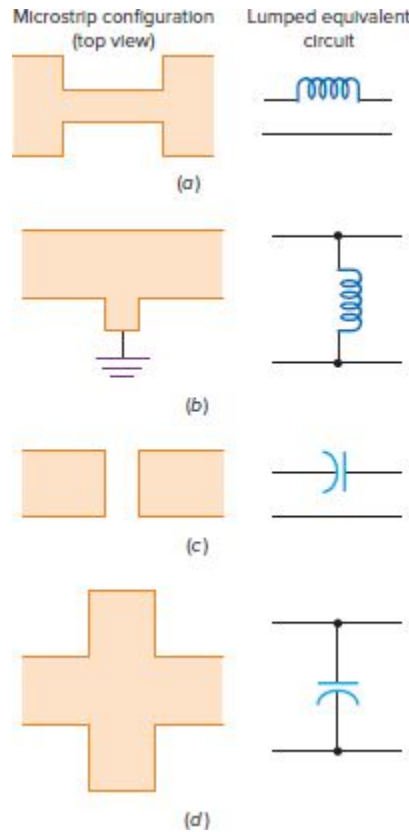
A quarter-wavelength line can also make a capacitor look like an inductor or an inductance look like a capacitance [see Fig. 18-9(b) and (c)]. For example, a $75\text{-}\Omega$ microstrip $\lambda/4$ long will make an inductive reactance of $30\ \Omega$ look like a capacitive reactance of

$$X_c = \frac{Z_0^2}{X_l} = \frac{75^2}{30} = \frac{5635}{30} = 187.5\ \Omega$$

Fig. 18-10 shows the physical configurations for equivalent coils and capacitors in microstrip form. The thin segment of microstrip shown in Fig. 18-10(a) acts like a series inductor. Fig. 18-10(b) shows a short right-angle segment whose end is grounded; this microstrip acts as a parallel inductor. When series capacitance or capacitive coupling is needed, a small capacitor can be created by using the ends of microstrip lines as tiny capacitor plates separated by an air dielectric [Fig. 18-10(c)]. A shunt capacitor can be created by using a short, fat segment of microstrip as in Fig. 18-10(d). As these general forms demonstrate, it is often possible to visualize

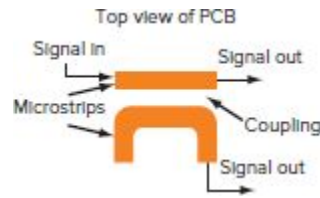
or even draw the equivalent circuit of a microstrip amplifier by observing the pattern on the PCB.

Figure 18-10 Common microstrip patterns and their equivalents.



Microstrip can also be used to realize coupling from one circuit, as illustrated in Fig. 18-11. One microstrip line is simply placed parallel to another segment of microstrip. The degree of coupling between the two depends on the distance of separation and the length of the parallel segment. The closer the spacing and the longer the parallel run, the greater the coupling. There is always signal loss by such a coupling method, but it can be accurately controlled.

Figure 18-11 Coupling between microstrips.



Although microstrip performs best when it is a straight line, 90° turns are often necessary on a PCB. When turns must be used, a straight right-angle turn, like that shown in Fig. 18-12(a), is forbidden because it acts as a low-pass filter across the line. A gradually curved line, like that shown in Fig. 18-12(b) (or Fig. 18-11), is preferred when the turn radius is much greater than the width of the line. An acceptable alternative method is shown in Fig. 18-12(c). The cut on the corner is critical. Note that the dimensions must be held to $\lambda/4$, which is one-quarter the width of the microstrip.

Figure 18-12 Microstrip 90° turns. (a) Right angles such as this should be avoided. (b) Gradual curves or turns are preferred. (c) This arrangement is also acceptable.



GOOD TO KNOW

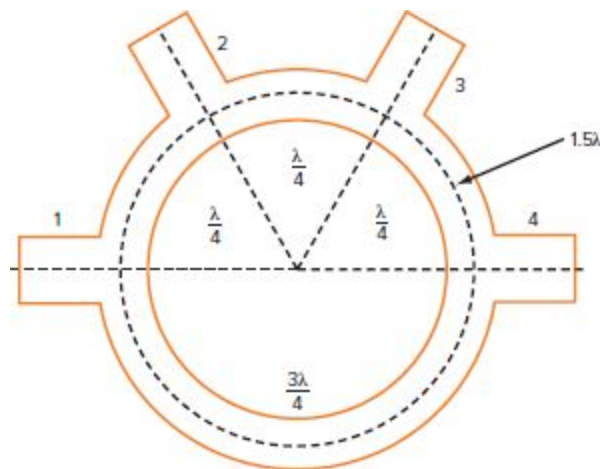
Microstrip patterns are made with copper directly onto printed-circuit boards.

A special form of microstrip is the *hybrid ring* shown in Fig. 18-13. The total length of the microstrip ring is 1.5λ . There are

four taps or ports on the line, spaced at one-quarter wavelength ($\lambda/4$) intervals, which can be used as inputs or outputs.

Hybrid ring

Figure 18-13 A microstrip hybrid ring.



Now, a signal is applied to port 1, and some interesting things happen. Output signals appear at ports 2 and 4, but their levels are at one-half the power of the input. Thus the circuit acts as a power divider to supply two signals of equal level to other circuits. There is no output at port 3. The effect of applying a signal at port 4 is similar. Equal half-power outputs appear at ports 1 and 3, but no signal appears at port 2.

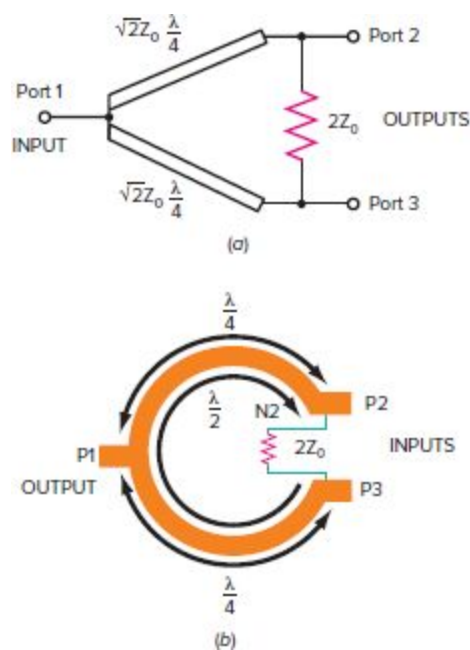
If individual signals are applied simultaneously to page 626 ports 1 and 3, the output at port 2 will be their sum and the output at port 4 will be their difference.

The unique operation of the hybrid ring makes it very useful for splitting signals or combining them.

Another widely used PCB-constructed device is the Wilkinson power divider. There are two physical versions, depicted in Fig. 18-14. This is a passive circuit made with two $\lambda/4$ microstrip transmission lines on a PCB. Their

characteristic impedances are $1.414Z_0$. (Note: $\sqrt{2} = 1.414$.) The resistor has a value of $2Z_0$. The circuit in Fig. 18-14(a) splits the power input to port 1 into two equal power outputs on ports 2 and 3 while maintaining the impedances on each port. Because it is a passive circuit, it is bidirectional. Therefore, this circuit can also be used to combine two inputs (P_2 and P_3) into one composite output P_1 as Fig. 18-14(b) shows. You will see the Wilkinson circuit used throughout microwave and millimeter-wave equipment. It is also 100 percent efficient (no losses).

Figure 18-14 Wilkinson circuit. (a) Power splitter or divider. (b) Power combiner.

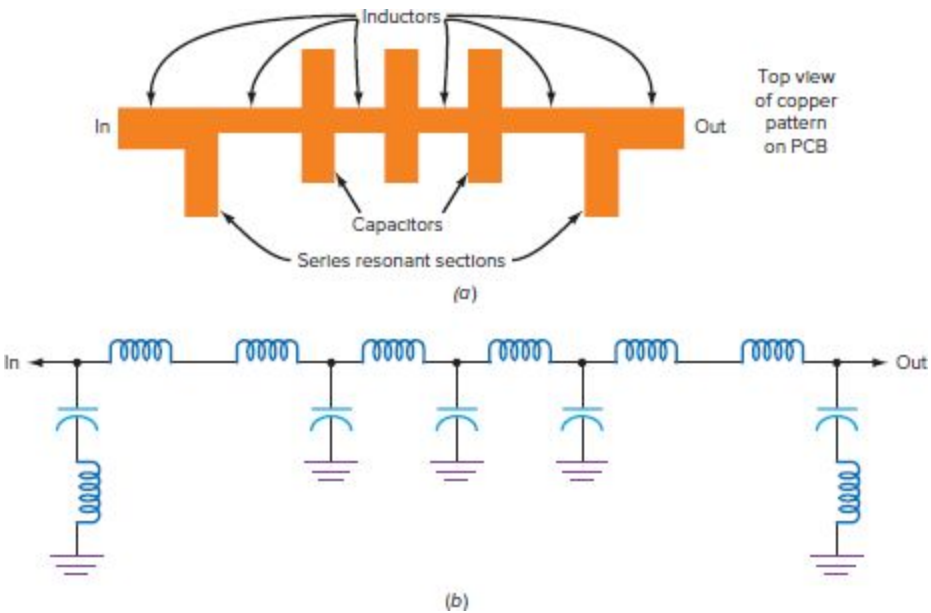


A common application is in transmit power amplifiers. This circuit allows the outputs of two power amplifiers to be combined into one. For even greater output, the combiners can be cascaded as needed.

Microstrip can be used to create almost any tuned circuit necessary in an amplifier, including resonant circuits, filters, and impedance-matching networks. Fig. 18-15(a) shows how

a low-pass filter is implemented with microstrip sections. The circuit shown is a highly selective low-pass filter for use in the 1- to 3-GHz range depending on the exact dimensions. The lumped constant equivalent circuit is shown in Fig. 18-15(b). The transmission line segments are formed on the PCB itself and connected end to end as required. The transistors or ICs are then soldered to the PCB along with any resistors or larger discrete components that may be needed.

Figure 18-15 A microstrip filter. (a) Microstrip low-pass filter. (b) Lumped constant equivalent circuit.



Example 18-1

A one-quarter wave Q -matching section made of microstrip is designed to match a source of 50Ω to a load of 136Ω at 5.8 GHz. The PCB dielectric constant ϵ_r is 2.4. Calculate (a) the required impedance of the microstrip and (b) its length.

$$\begin{aligned} \text{a. } Z_Q &= \sqrt{Z_{\text{source}} \times Z_{\text{load}}} \\ &= \sqrt{50(136)} = 82.46 \, \Omega \end{aligned}$$

$$\text{b. } \lambda = \frac{300}{f} \text{ MHz}$$

$$5.8 \text{ GHz} = 5800 \text{ MHz}$$

$$\lambda = \frac{300}{5800} = 0.0517 \text{ m}$$

$$\frac{\lambda}{4} = \frac{0.0517}{4} = 0.012931 \text{ m}$$

$$1 \text{ m} = 39.37 \text{ in}$$

$$\frac{\lambda}{4} = 0.012931(39.37) = 0.51 \text{ in}$$

$$\text{Velocity of propagation} = \frac{1}{\sqrt{\epsilon_r}} = \frac{1}{\sqrt{2.4}} = 0.645$$

$$\frac{\lambda}{4} = (0.51 \text{ in})(0.645) = 0.3286 \text{ in}$$

Microwave Transistors

Microwave transistors, whether they are bipolar or FET types, operate just as other transistors do. The primary differences between standard lower-frequency transistors and microwave types are internal geometry and packaging.

Microwave transistor

To reduce internal inductances and capacitances of transistor elements, special chip configurations known as *geometries* are used that permit the transistors to operate at higher power levels and at the same time minimize distributed and stray inductances and capacitances.

Fig. 18-16 shows several types of microwave transistors. Figs. 18-16(a) and (b) show low-power small-signal microwave transistors; these types are either NPN silicon or gallium arsenide FET. Note the very short leads. Both packages are designed for surface mounting directly to microstrip on the PCB. The transistor in Fig. 18-16(b) has four leads, usually two emitter (or source) leads plus the

base (or gate) and the collector (or drain). The two emitter leads in parallel ensure low inductance. Some transistors of this type have two base or two collector leads instead of two emitter leads.

Figure 18-16 Microwave transistors. (a) and (b) Low-power small signal. (c) FET power. (d) NPN bipolar power.

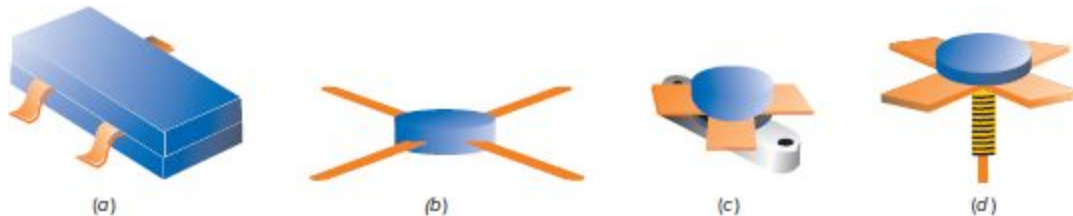


Fig. 18-16(c) shows an enhancement-mode power MOSFET. The short, fat leads are thick strips of copper that are soldered directly to the microstrip circuitry on the PCB. These wide leads also help transfer heat away from the transistor. Fig. 18-16(d) is an NPN power transistor with two emitter leads. The short, fat leads ensure low inductance and also permit high currents to be accommodated. The fat copper strips help to dissipate heat. The devices in Figs. 18-16(c) and (d) can handle power levels up to several hundred watts.

Transistors for small-signal amplification and oscillators are available for frequency up to about 100 GHz. For power amplification, transistors are available for frequencies up to 50 GHz.

Most microwave transistors continue to be made of silicon. As transistor geometry sizes have decreased below $0.04\ \mu\text{m}$ (40 nm), switching speeds and amplification frequencies have increased well into the microwave region. Complementary metal-oxide-semiconductor (CMOS) digital integrated circuits, which are made with MOSFETs, can operate up to 10 GHz. RF and linear/analog circuits made with CMOS and used in low-power microwave radios as well as in optical fiber transmission circuits can achieve operation up to 10 GHz. But beyond 10 GHz, special devices are necessary.

You have already seen how GaAs MESFETs, a type page 629 of JFET using a Schottky barrier junction, can operate at frequencies in excess of 5 GHz. A variant of the MESFET called a *high electron mobility transistor (HEMT)* extends the frequency range beyond 20 GHz by adding an extra layer of semiconductor material such as AlGaAs.

High electron mobility transistor (HEMT)

A highly popular device known as a *heterojunction bipolar transistor (HBT)* is making even higher-frequency amplification possible in both discrete form and integrated circuits. A heterojunction is formed with two different types of semiconductor materials. Some popular combinations are indium-phosphide (InP) and silicon-germanium (SiGe). Other combinations include AlGaAs/GaAs and InGaAsP. The InP HBTs operate at frequencies up to 50 GHz, and SiGe HBTs have been developed to operate up to 200 GHz. Both small-signal and power-amplification versions are available.

Heterojunction bipolar transistor (HBT)

For power amplifiers, the LDMOS enhancement mode FETs are popular at frequencies below 6 GHz. Such transistors can handle power levels to several hundred watts. At frequencies to 50 GHz, the new gallium nitride (GaN)

pHEMET transistors can supply power levels up to about 100 watts.

Small-Signal Amplifiers

A *small-signal microwave amplifier* can be made up of a single transistor or multiple transistors combined with a biasing circuit and any microstrip circuits or components as required. Most microwave amplifiers are of the tuned variety. That is, their bandwidth is set by the application and implemented by microstrip series or parallel tuned circuits, and then microstrip lines are used to perform the various impedance-matching duties required to get the amplifier to work.

Small-signal microwave amplifier

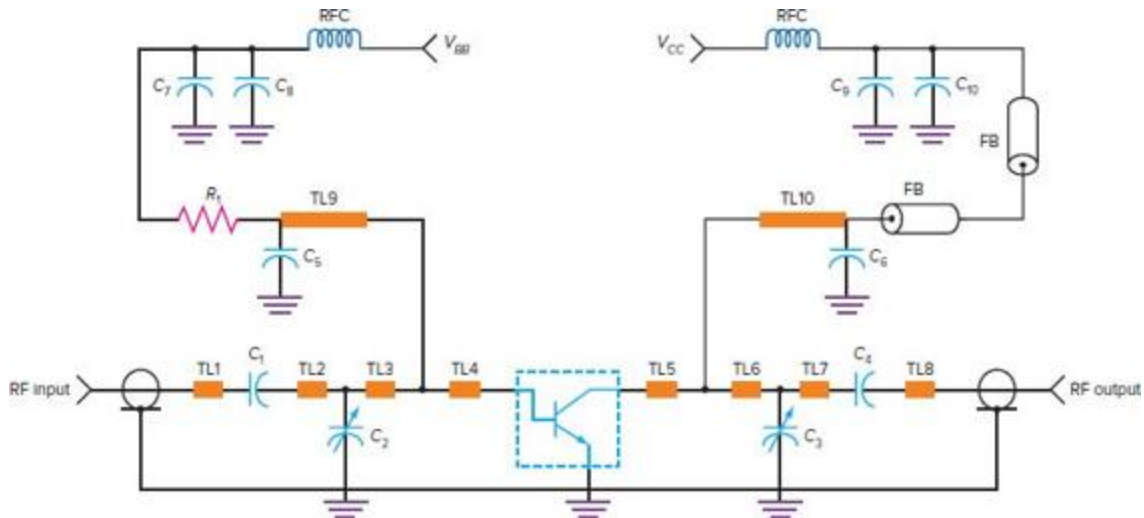
Another type of small-signal microwave amplifier is a *multistage integrated circuit*, a variety of MMIC. Besides amplifiers, other MMICs available include mixers, switches, and phase shifters.

Multistage integrated-circuit amplifier

Transistor Amplifiers. Fig. 18-17 shows a microwave amplifier for small signals. This type of amplifier is commonly used in the front end of a microwave receiver to provide initial amplification for the mixer. A low-noise transistor is used. The typical gain range is 10 to 25 dB.

Transistor amplifier

Figure 18-17 A single-stage class A RF microwave amplifier.



GOOD TO KNOW

Most microwave amplifiers are designed to have input and output impedances of $50\ \Omega$.

Most microwave amplifiers are designed to have input and output impedances of $50\ \Omega$. In the circuit shown in Fig. 18-17, the input can come from an antenna or another microwave circuit. The blocks labeled TL are microstrip sections that act as tuned circuits, inductors, or capacitors. An input microstrip TL1 acts as an impedance-matching section, and TL2 and TL3 form a tuned circuit. TL4 is another impedance-matching section that matches the tuned circuit to the complex impedance of the base input. The tuned circuits set the bandwidth of the amplifier input.

A similar sequence of impedance-matching sections and tuned circuits is used in the collector to set the bandwidth and to match the transistor collector impedance to the output. And C_2 and C_3 are variable capacitors that allow some tuning of the bandwidth.

All the other components are of the surface-mounted chip type to keep lead inductances short. The microstrip segments TL9 and TL10 act as inductors, forming part of the substantial decoupling networks used on the base bias

supply V_{BB} and the collector supply V_{CC} . The base supply voltage and the value of R_1 set the base bias, thus biasing the transistor into the linear region for class A amplification. RFCs are used in the supply leads to keep the RF out of the supply and to prevent feedback paths through the supply that can cause oscillation and instability in multistage circuits. Ferrite beads (FB) are used in the collector supply lead for further decoupling.

MMIC Amplifiers. A common *monolithic* page 630 *microwave integrated-circuit (MMIC)* amplifier is one that incorporates two or more stages of FET or bipolar transistors made on a common chip to form a multistage amplifier. The chip also incorporates resistors for biasing and small bypass capacitors. Physically, these devices look like the transistors in Figs. 18-16(a) and (b). They are soldered to a PCB containing microstrip circuits for impedance matching and tuning.

Monolithic microwave integrated circuit (MMIC)

Another popular form of MMIC is the *hybrid circuit*, which combines an amplifier IC connected to microstrip circuits and discrete components of various types. All the components are formed on a tiny alumina substrate that serves as both a base and a place to form microstrip lines. Surface-mounted chip resistors, capacitors, transistors, and MMIC amplifiers are connected. The entire unit is packaged into a housing, usually metal for shielding, and connected to additional circuits on a PCB.

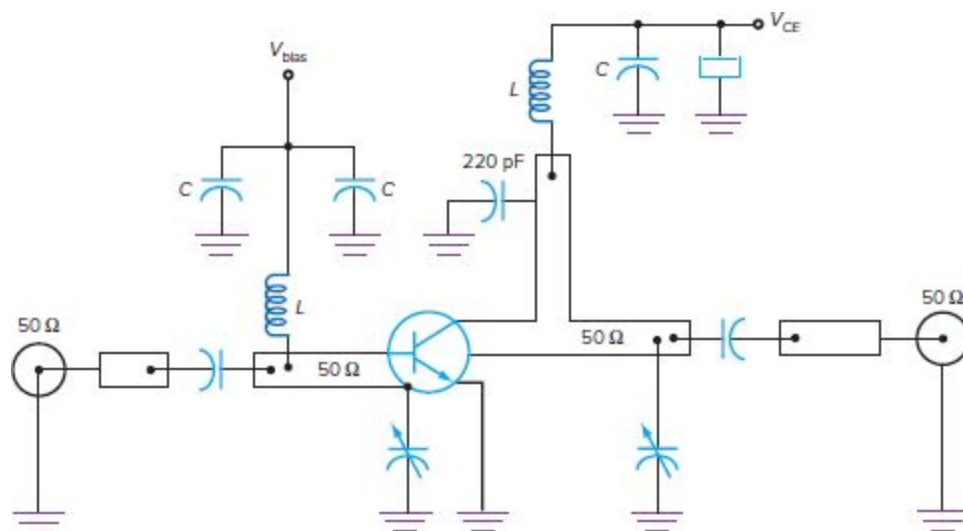
Hybrid circuit

Power Amplifiers. A typical *class A microwave power amplifier* is shown in Fig. 18-18. The microstrip lines are used for impedance matching and tuning. Most microstrip circuits simulate L-type matching networks with a low-pass configuration. Small wire loop inductors and capacitors are

used to form the decoupling networks to prevent feedback through the power supply, which would cause oscillation. The input and output impedances are $50\ \Omega$. This particular stage operates at 1.2 GHz and provides an output power of 1.5 W. Typical power supply voltages are 12, 24, and 28 V, but can go to 36 or 48 V for high-power applications.

Class A microwave power amplifier

Figure 18-18 A class A microwave power amplifier.



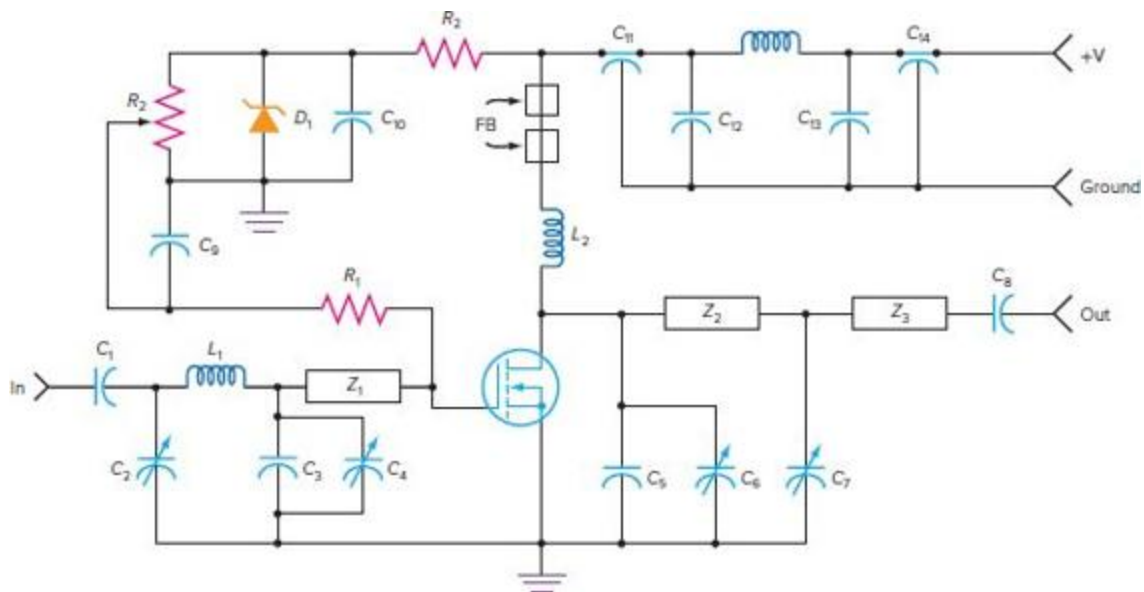
Note that bias is not supplied by a resistive voltage divider. Instead, it usually comes from a separate bias-current circuit.

The bias is applied to the base of the amplifier in Fig. 18-18 through a small inductor. This and the bypass capacitors keep the microwave energy out of the bias circuit.

The single-stage FET power amplifier shown in Fig. 18-19 can achieve a power output of 100 W in the high UHF and low microwave region. The transistor is an enhancement-mode FET; that means that the FET does not conduct with drain voltage applied. A positive gate signal of 3 V or more must be applied to achieve conduction. The gate signal is supplied by a lower-power driver stage, and the gate bias is

supplied by a zener diode. The gate voltage is made adjustable with potentiometer R_2 . This allows the bias to be set for linear class B or class C operation. For linear class A operation, a quiescent value of drain current is set with the bias. This bias circuit can also be used to adjust the power output over a small range.

Figure 18-19 An FET power amplifier.



In the circuit shown in Fig. 18-19, a combination of LC tuned circuits and microstrips is used for tuning and impedance matching. Here L_1 is a tiny hairpin loop of heavy wire, and L_2 is a larger inductor made of multiple turns of wire to form a high impedance for decoupling.

Most modern GaN power amplifiers are complete circuits in a single package. Each targets a specific frequency range and application, such as cellular or radar.

18-3 Waveguides and Cavity Resonators

Despite their high attenuation, coax cables are widely used to carry microwave and even some millimeter wave signals over short distances. Special coaxial cables have been developed that can be used up to approximately 110 GHz if the length is kept short (less than 100 ft). Above this frequency, coaxial cable loss is too great except for lengths of several feet or less. Short lengths of coaxial cable, several feet or less, can be used to interconnect pieces of equipment that are close together, but for longer runs other methods of transmission must be used.

Another problem is the power-handling limit of coaxial cables. The larger cables can carry power levels up to about 1 kW. Higher power levels needed in radar and satellite applications require another solution.

Waveguides

Most high-power microwave energy transmission above about 6 GHz is handled by *waveguides*, which are hollow metal conducting pipes designed to carry and constrain the electromagnetic waves of a microwave signal. Most waveguides are rectangular. Waveguides can be used to carry energy between pieces of equipment or over longer distances to carry transmitter power to an antenna or microwave signals from an antenna to a receiver.

Waveguide

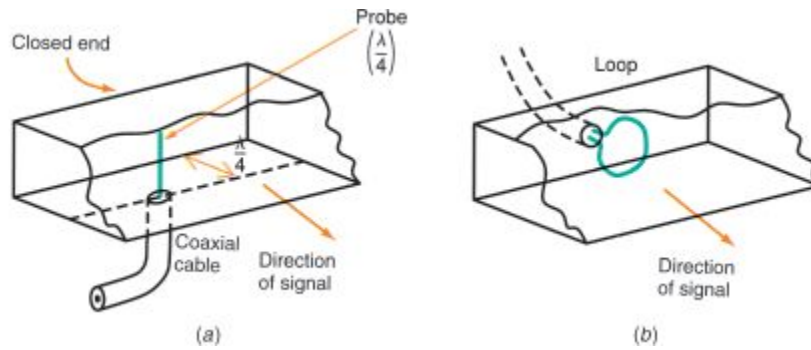
Waveguides are made of copper, aluminum, or brass. These metals are extruded into long rectangular or circular pipes. Often the insides of waveguides are plated with silver to reduce resistance, keeping transmission losses to a very low level.

Signal Injection and Extraction. A microwave signal to be carried by a waveguide is introduced into one end of the waveguide with an antennalike probe that creates an

electromagnetic wave that propagates through the waveguide. The electric and magnetic fields associated with the signal bounce off the inside walls back and forth as the signal progresses down the waveguide. The waveguide totally contains the signal so that none escapes by radiation.

The probe shown in Fig. 18-20(a) is a one-quarter wavelength vertical antenna at the signal frequency that is inserted in the waveguide one-quarter wavelength from the end, which is closed. The signal is usually coupled to the probe through a short coaxial cable and a connector. The probe sets up a vertically polarized electromagnetic wave in the waveguide, which is then propagated down the line. Because the probe is located one-quarter wavelength from the closed end of the waveguide, the signal from the probe is reflected from the closed end of the line back toward the open end. Over a one-quarter wavelength distance, the reflected signal appears back at the probe in phase to aid the signal going in the opposite direction. Remember that a radio signal consists of both electric and magnetic fields at right angles to each other. The electric and magnetic fields established by the probe propagate down the waveguide at a right angle to the two fields of the radio signal. The position of the probe determines whether the signal is horizontally or vertically polarized. In Fig. 18-20(a), the electric field is vertical, so the polarization is vertical. The electric field begins propagating down the line and sets up charges on the line that cause current to flow. This in turn generates a companion magnetic field at right angles to the electric field and the direction of propagation.

Figure 18-20 Injecting a sine wave into a waveguide and extracting a signal.



A loop can also be used to introduce a magnetic page 633 field into a waveguide. The loop in Fig. 18-20(b) is mounted in the closed end of the waveguide. Microwave energy applied through a short piece of coaxial cable causes a magnetic field to be set up in the loop. The magnetic field also establishes an electric field, which is then propagated down the waveguide.

Probes and loops can also be used to extract a signal from a waveguide. When the signal strikes a probe or a loop, a signal is induced that can then be fed to other circuitry through a short coaxial cable.

Waveguide Size and Frequency. Fig. 18-21 shows the most important dimensions of a rectangular waveguide: the width a and the height b . Note that these are the inside dimensions of the waveguide. The frequency of operation of a waveguide is determined by the size of a . This dimension is usually made equal to one-half wavelength, a bit below the lowest frequency of operation. This frequency is known as the *waveguide cutoff frequency*. At its cutoff frequency and below, a waveguide will not transmit energy. At frequencies above the cutoff frequency, a waveguide will propagate electromagnetic energy. A waveguide is essentially a high-pass filter with a cutoff frequency equal to

Waveguide cutoff frequency

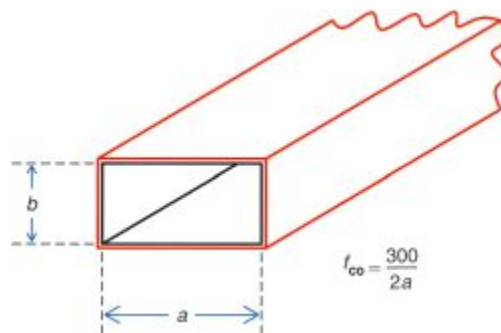
$$f_{co} = \frac{300}{2a}$$

where f_{co} is in megahertz and a is in meters.

GOOD TO KNOW

At higher microwave frequencies, above approximately 6 to 10 GHz, a special hollow rectangular or circular pipe called a *waveguide* is used for the transmission line.

Figure 18-21 The dimensions of a waveguide determine its operating frequency range.



For example, suppose one wants to determine the cutoff frequency of a waveguide with an a dimension of 0.7 in. To convert 0.7 in to meters, multiply by 2.54 to get centimeters and divide by 100 to get meters: $0.7 \text{ in} = 0.01778 \text{ m}$. Thus,

$$f_{co} = \frac{300}{2(0.01778)} = 8436 \text{ MHz} = 8.436 \text{ GHz}$$

Normally, the height of a waveguide is made equal to approximately one-half the a dimension, or 0.35 in. The actual size might be 0.4 in.

Example 18-2

A rectangular waveguide has a width of 0.65 in and a height of 0.38 in. (a) What is the cutoff frequency? (b)

What is a typical operating frequency for this waveguide?

a. $0.65 \text{ in} \times 2.54 = 1.651 \text{ cm}$

$$\frac{1.651}{100} = 0.01651 \text{ m}$$

$$f_{co} = \frac{300}{2a} = \frac{300}{2(0.01651)} = 9085 \text{ MHz} = 9.085 \text{ GHz}$$

b. $f_{co} = 0.7f$

$$f = \frac{f_{co}}{0.7} = 1.42f_{co}$$

$$= 1.42(9.085) = 12.98 \text{ GHz and above}$$

Example 18-3

Would the rectangular waveguide in Example 18-2 operate in the C band?

The C band is approximately 4 to 6 GHz. Because a waveguide acts as a high-pass filter with a cutoff of 9.085 GHz, it will not pass a C band signal.

Waveguide Hardware and Accessories

Waveguides are transmission lines connecting different types of microwave equipment. The waveguide from a large radio telescope dish antenna to the receiver is an example. Waveguides have a variety of special parts, such as couplers, turns, joints, rotary connections, and terminations. Most waveguides and their fittings are precision-made so that the dimensions match perfectly. Any mismatch in dimensions or misalignment of pieces that fit together will introduce significant losses and reflections. Waveguides are available in a variety of standard lengths

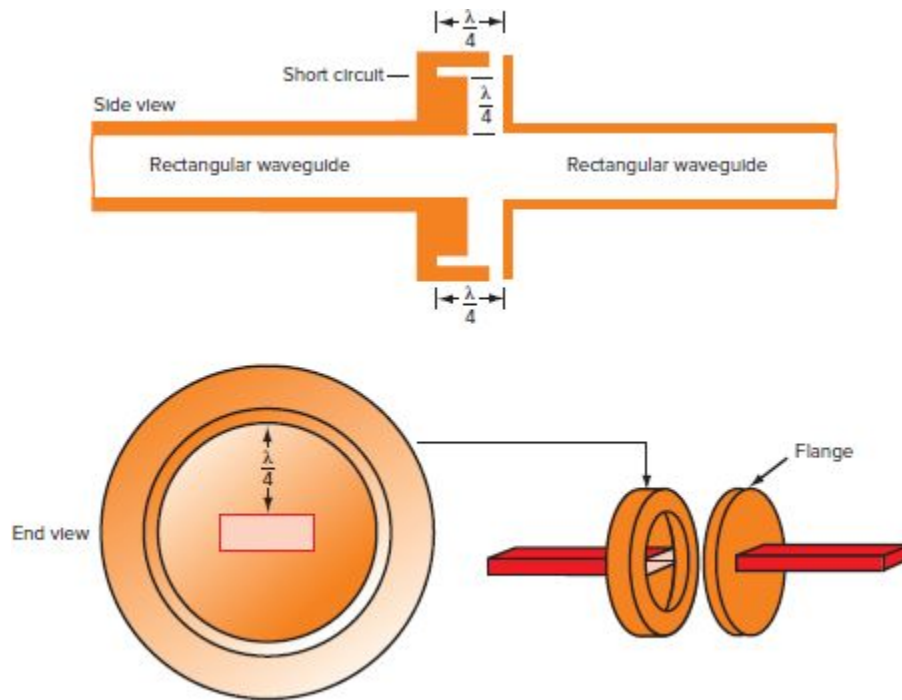
that are interconnected to form a path between a microwave generator and its ultimate destination.

Connection Joints. Fig. 18-22 shows a *choke joint*, which is used to interconnect two sections of waveguide. It consists of two flanges connected to the waveguide at the center. The right-hand flange is flat, and the one at the left is slotted one-quarter wavelength deep at a distance of one-quarter wavelength from the point at which the walls of the guide are joined. The one-quarter waves together become a half wave and reflect a short circuit at the place where the walls are joined. Electrically, this creates a short circuit at the junction of the two waveguides. The two sections can actually be separated as much as one-tenth wavelength without excessive loss of energy at the joint. This separation allows room to seal the interior of the waveguide with a rubber gasket for pressurization. Some long waveguides are pressurized with nitrogen gas to reduce moisture buildups. The choke joint effectively keeps the RF inside the waveguide. And it introduces minimum loss, 0.03 dB or less.

Choke joint

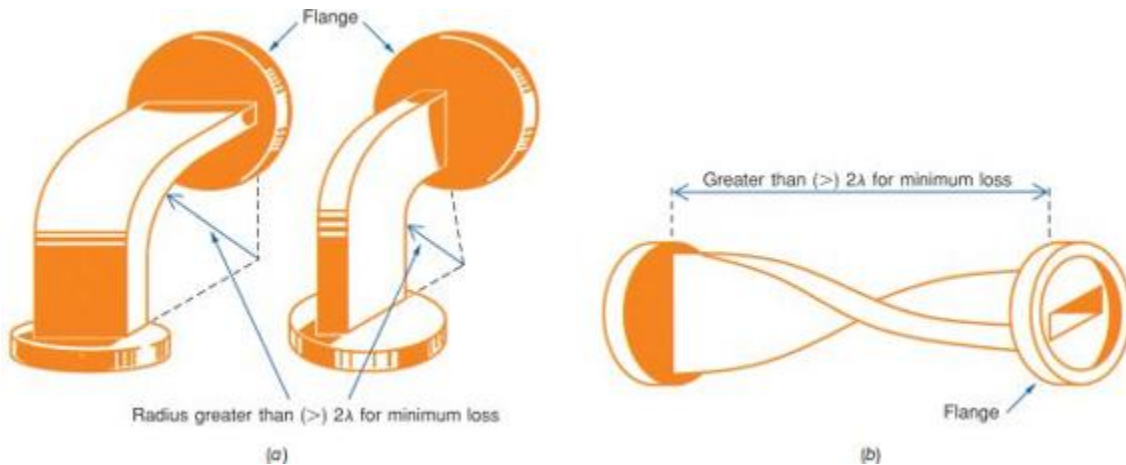
page 635

Figure 18-22 A choke joint permits sections of waveguide to be interconnected with minimum loss and radiation.



Curved Sections. Special curved waveguide sections are available for making 90° bends. Curved sections introduce reflections and power loss, but these are kept small by proper design. When the radius of the curved section is greater than 2λ at the signal frequency, losses are minimized. Fig. 18-23 shows several different configurations. Flanges are used to connect curve sections with straight runs.

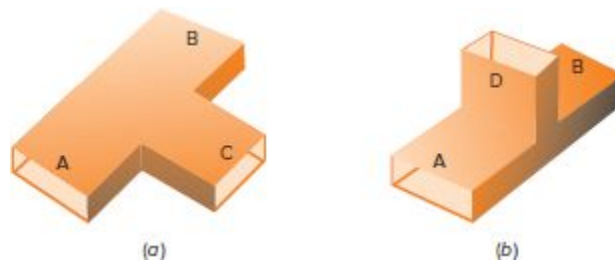
Figure 18-23 Curved waveguide sections. (a) Right-angle bends. (b) Twisted section.



T Sections. It is occasionally necessary to split or combine two or more sources of microwave power. This is done with *T sections* or *T junctions* (Fig. 18-24). The T can be formed on the short or long side of the waveguide. If the junction is formed on the short side, it is called a *shunt T*. If the junction is formed on the long side, it is called a *series T*. Each T section has three ports, which can be used as inputs or outputs.

T section (T junction)

Figure 18-24 Waveguide T sections. (a) Shunt T. (b) Series T.



If a signal is propagated along a waveguide connected to the C port of a shunt T like that in Fig. 18-24(a), equal amounts of the signal will appear in phase at output ports A and B. The power level of the signals at A and B is one-half the input power. Such a device is called a *power divider*.

Power divider

The shunt T can also combine signals. If the signal input to A is of the same phase as the signal input to B, they will be combined at the output port C. The output power is the sum of the individual powers. This is called a *power combiner*.

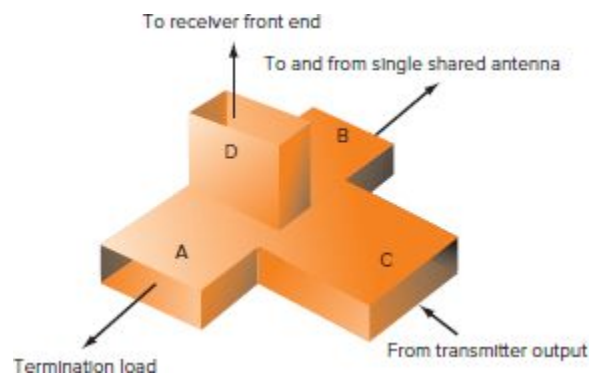
Power combiner

In the series T shown in Fig. 18-24(b), a signal entering port D will be split into two half-power signals that appear at ports A and B but that are 180° out of phase with each other.

Hybrid T's. A special device called a *hybrid T* can be formed by combining the series and shunt T sections (see Fig. 18-25). Sometimes referred to as a *magic T*, this device is used as a duplexer to permit simultaneous use of a single antenna by both a transmitter and a receiver. The antenna is connected to port B. Any received signal is passed to port D, which is connected to the receiver front end. Port A is terminated and not used. The received signal will not enter port C, which is connected to the transmitter.

Hybrid T

Figure 18-25 A hybrid or magic T used as a duplexer.



A transmitted signal will pass through to the antenna at port B, but will not enter port D to the receiver. If a transmitter and receiver operate on the same frequency or near the same frequencies, and the transmitter output

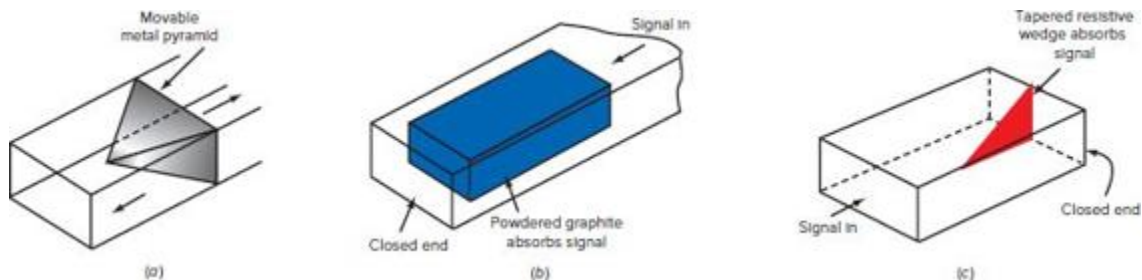
signal is at a high power level, some means must be used to prevent the power from entering the receiver and causing damage. The hybrid T can be used for this purpose.

Terminations. In many cases, it is necessary to terminate the end of an unused port of a waveguide. For example, port A in Fig. 18-25 would be connected to a load of the correct impedance to prevent high reflections, unfavorable SWR, and loss. If the length of the line is some multiple of one-quarter or one-half wavelength, it may be possible to open or short the waveguide. In most cases, this is not possible, and other means of termination are used.

Termination

One approach to termination is to insert a page 637 pyramid-shaped metallic section in the end of the line, as shown in Fig. 18-26(a). The taper provides a correct match. Usually the tapered section is movable so that the termination can be adjusted for minimum SWR.

Figure 18-26 Terminating matched loads for waveguides.



It is also possible simply to fill the end of the line with a powdered graphite resistive material, as shown in Fig. 18-26(b). This absorbs the signal and dissipates it as heat so that no reflections occur.

Termination can be accomplished by using a resistive material shaped as a triangle or wedge at the end of a closed line [see Fig. 18-26(c)]. The tapered resistive element

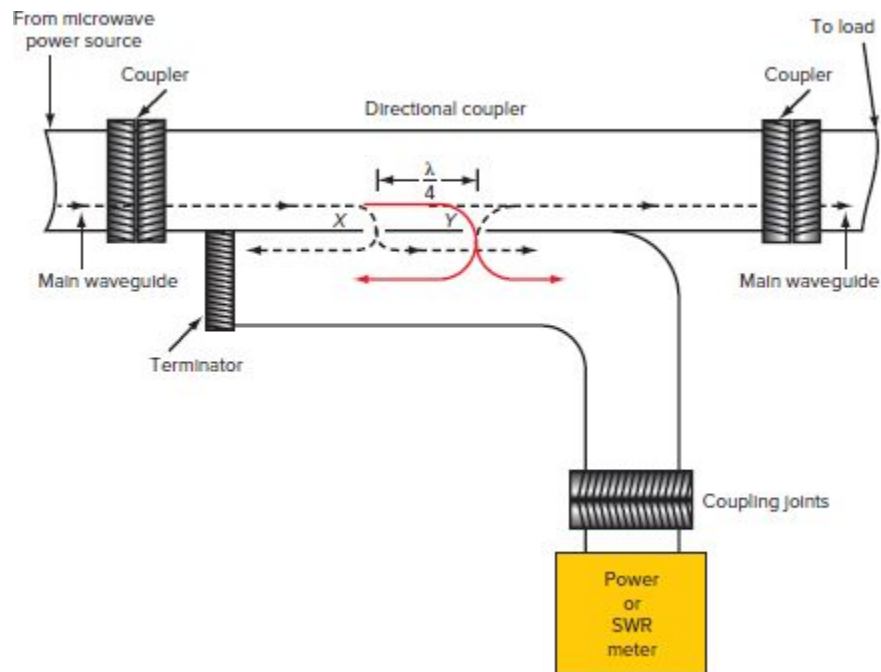
is oriented to match the orientation of the electric field in the guide. The magnetic component of the wave induces a voltage into the tapered resistive material, and current flows. Thus the signal is absorbed and dissipated as heat.

Directional Couplers. One of the most commonly used waveguide components is the directional coupler. *Directional couplers* are used to facilitate the measurement of microwave power in a waveguide and the SWR. They can also be used to tap off a small portion of a high-power microwave signal to be sent to another circuit or piece of equipment.

Directional coupler

The directional coupler in Fig. 18-27 is simply a short segment of waveguide with coupling joints that are designed to be inserted into a longer run of waveguide between a transmitter and an antenna or between some source and a load. A similar section of waveguide is physically attached to this short segment of line. It is terminated at one end, and the other end is bent away at a 90° angle. The bent section is designed to attach to a microwave power meter or an SWR meter. The bent section is coupled to the straight section by two holes (X and Y) that are one-quarter wavelength apart at the frequency of operation. Some of the microwave energy passes through the holes in the straight section into the bent section. The amount of coupling between the two sections depends on the size of the holes.

Figure 18-27 Directional coupler.



If energy from the source at the left moves through the waveguide from left to right, microwave energy passes through hole X into the bent section. The energy splits in half. Part of the energy goes to the left, where it is absorbed by the terminator; the other half moves to the right toward hole Y. This is indicated by the dashed lines.

Additional energy from the straight section enters hole Y. It, too, splits into two equal components, one going to the left and the other going to the right. These components are indicated by the solid lines. The energy moving from hole Y to the left toward hole X in the curved section cancels the energy moving from hole X to Y. The signal moving from hole Y to hole X travels a total distance of one-half wavelength or 180° , so it is out of phase with the signal at hole X. But between Y and X, the signals are exactly out of phase and equal in amplitude, so they cancel. Any small residual signal moving to the left is absorbed by the terminator. The remaining signal moves on to the power or SWR meter.

The term directional coupler derives from the operation of the device. A portion of the energy of signals moving from left to right will be sampled and measured. Any signal entering from the right and moving to the left will simply be absorbed by the terminator; none will pass on to the meter.

The amount of signal energy coupled into the bend section depends on the size of the holes. Usually only a very small portion of the signal, less than 1 percent, is extracted or sampled. Thus the primary signal is not materially attenuated. However, a sufficient amount of signal is present to be measured. The exact amount of signal extracted is determined by the coupling factor C , which is determined by the familiar formula for power ratio:

$$C = 10 \log \frac{P_{in}}{P_{out}}$$

= coupling factor, dB

where P_{in} = amount of power applied to straight section
 P_{out} = signal power going to power meter

Most directional couplers are available with a fixed coupling factor, usually 10, 20, or 30 dB.

The amount of power that is actually measured can be calculated by rearranging the power ratio formula:

$$P_{out} = \frac{P_{in}}{\log^{-1}(C/10)} = \frac{P_{in}}{10^{C/10}}$$

For example, if the input power is 2000 W to a directional coupler with a coupling factor of 30, the actual power to the meter is $2000/10^3 = 2000/1000 = 2$ W.

A variation of the directional coupler is the *bidirectional coupler*. Using two sections of line to sample the energy in both directions allows determination of the SWR. One segment of line samples the incident or forward power, and the other is set up to sample the reflected energy in the opposite direction.

Bidirectional coupler

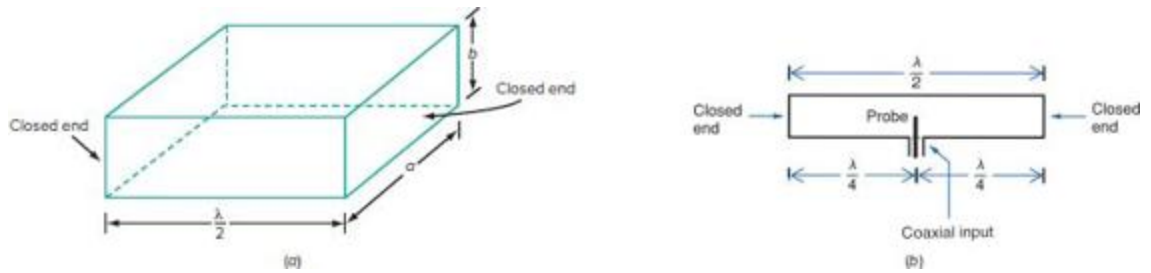
One of the most widely used forms of directional page 639 coupler today is that made with microstrip transmission line, such as shown in Fig. 18-11. Directional couplers can be made right on the printed-circuit board holding the other circuitry. Directional couplers are also available as separate units with coaxial connectors for inputs and outputs.

Cavity Resonators

A *cavity resonator* is a waveguidelike device that acts as a high- Q parallel resonant circuit. A simple cavity resonator can be formed with a short piece of waveguide one-half wavelength long, as illustrated in Fig. 18-28(a). The ends are closed. Energy is coupled into the cavity with a coaxial probe at the center, as shown in the side view in Fig. 18-29(b). When microwave energy is injected into the cavity, the signal bounces off the shorted ends of the waveguide and reflects back toward the probe. Because the probe is located one-quarter wavelength from each shorted end, the reflected signal reinforces the signal at the probe. The result is that the signal bounces back and forth off the shorted ends. If the signal is removed, the wave continues to bounce back and forth until losses cause it to die out.

Cavity resonator

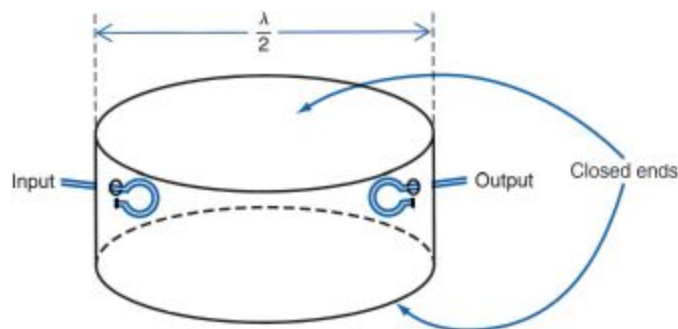
Figure 18-28 Cavity resonator made with waveguide. (a) A $\lambda/2$ section of rectangular waveguide used as a cavity resonator. (b) Side view of cavity resonator showing coupling of energy by a probe.



This effect is pronounced at a frequency where the length of the waveguide is exactly one-half wavelength. At that frequency, the cavity is said to resonate and acts as a parallel resonant circuit. A brief burst of energy applied to the probe will make the cavity oscillate; the oscillation continues until losses cause it to die out. Cavities such as this have extremely high Q , as high as 30,000. For this reason, they are commonly used to create resonant circuits and filters at microwave frequencies.

A cavity can also be formed by using a short section of circular waveguide such as that shown in Fig. 18-29. With this shape, the diameter should be one-half wavelength at the operating frequency. Other cavity shapes are also possible.

Figure 18-29 Circular resonant cavity with input-output loops.

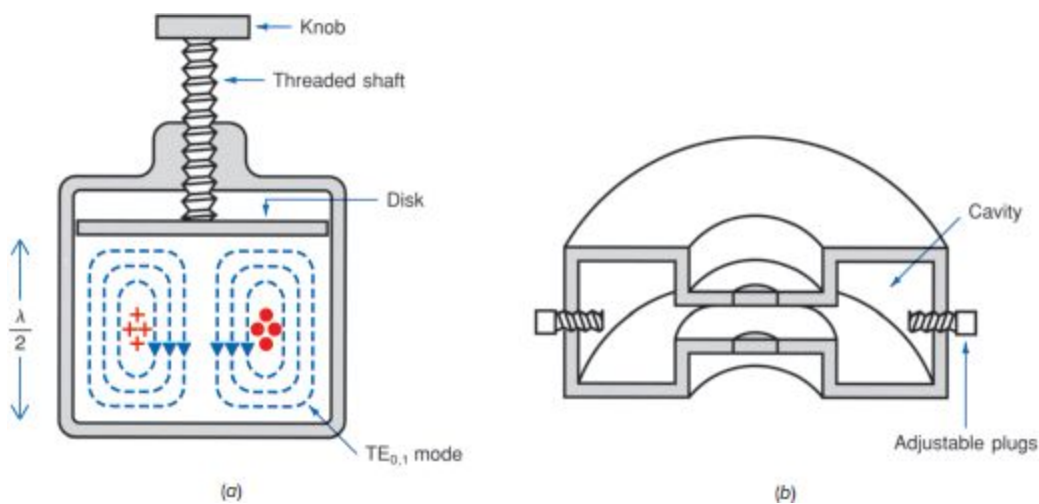


Typically, cavities are specially designed page 640 components. Often, they are hollowed out sections in a block of metal that have been machined to very precise dimensions for specific frequencies. The internal walls of the

cavity are often plated with silver or some other low-loss material to ensure minimum loss and maximum Q .

Some cavities are also tunable. One wall of the cavity is made movable, as shown in Fig. 18-30(a). An adjustment screw moves the end wall in and out to adjust the resonant frequency. The smaller the cavity, the higher the operating frequency. Cavities can also be tuned with adjustable plugs in the side of the cavity, as in Fig. 18-30(b). As the plug is screwed in, more of it intrudes into the cavity and the operating frequency goes up.

Figure 18-30 Adjustable or tunable cavities. (a) Cylindrical cavity with adjustable disk. (b) Cavity with adjustable plugs.



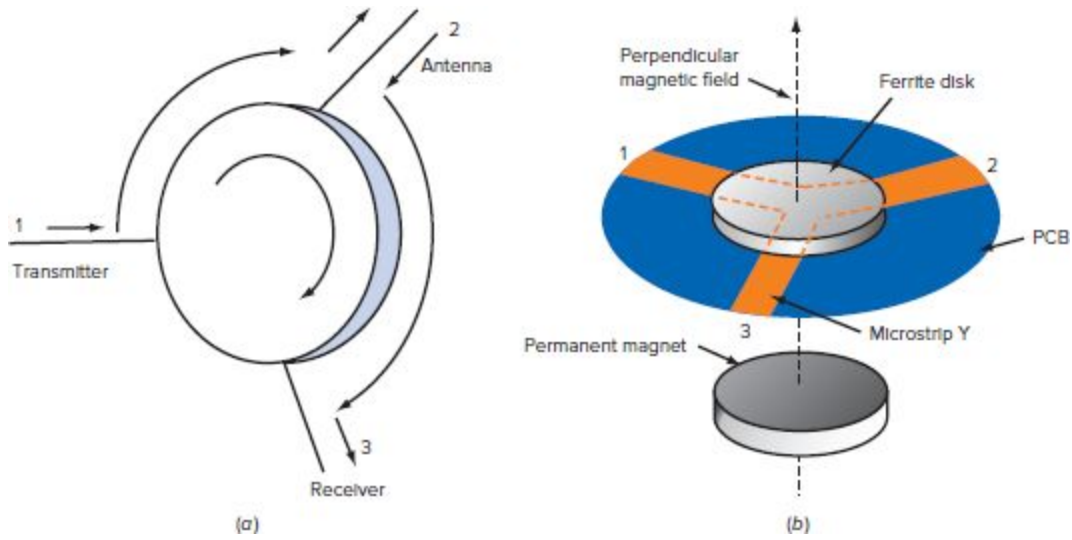
Circulators

A *circulator* is a three-port microwave device used for coupling energy in only one direction around a closed loop. A schematic diagram of a circulator is shown in Fig. 18-31(a). Microwave energy applied to port 1 is passed to port 2 with only minor attenuation; however, the signal will be greatly attenuated on its way to port 3. The loss from port 1 to port 3 is usually 20 dB or more. A signal applied to port 2

will be passed with little attenuation to port 3, but little or none will reach port 1.

Circulator

Figure 18-31 Circulator. (a) Circulator used as a diplexer. (b) Construction of a circulator.



The primary application of a circulator is as a *diplexer*, which allows a single antenna to be shared by a transmitter and receiver. As shown in Fig. 18-31(a), the signal from the transmitter is applied to port 1 and passed to the antenna, which is connected to port 2. The transmitted signal does not reach the receiver connected to port 3. The received signal from the antenna comes into port 2 and is sent to port 3, but is not fed into the transmitter on port 1.

Diplexer

A common way of making a circulator is to create a microstrip pattern that looks like a Y, as shown in Fig. 18-31(b). The three ports are 120° apart. These ports, which are formed on PCBs, can be connected to coaxial connectors.

On top of the Y junction, and sometimes on the bottom, is a *ferrite disk*. Ferrites are ceramics made of compounds such as BaFe_2O_3 . They have magnetic properties similar to

those of iron or steel, so they support magnetic fields, but they do not cause the induction of eddy currents. Iron is often mixed with zinc or manganese. A widely used type of ferrite is yttrium-iron-garnet (YIG). A permanent magnet is then placed such that it forces magnetic lines of force perpendicular to the device through the ferrite. This strong magnetic field interacts with the magnetic fields produced by any input signals, creating the characteristic action of the circulator.

Ferrite disk

The type of circulator described here is for low page 641 and medium power levels. For high-power applications, a circulator made with a waveguidelike structure containing ferrite material is used.

Isolators

Isolators are variations of circulators, but they have one input and one output. That is, they are configured like the circulator diagrammed in Fig. 18-31, but only ports 1 and 2 are used. An input to port 1 is passed to port 2 with little attenuation. Any reflected energy, as would occur with an SWR higher than 1, is not coupled back into port 1. Isolators are often used in situations where a mismatch, or the lack of a proper load, could cause reflection so large as to damage the source.

Isolator

18-4 Microwave Semiconductor Diodes

Small-Signal Diodes

Diodes used for signal detection and mixing are the most common microwave semiconductor devices. Two types are available: the point-contact diode and the Schottky barrier or hot carrier diode.

Small-signal diode

The typical *semiconductor diode* is a junction formed of P- and N-type semiconductor materials. Because of the relatively large surface area of the junction, diodes exhibit a high capacitance that prevents normal operation at microwave frequencies. For this reason, standard PN junction diodes are not used in the microwave region.

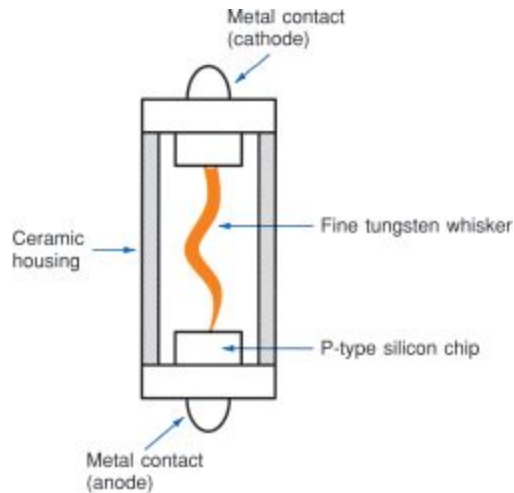
Semiconductor diode

Point-Contact Diodes. Perhaps the oldest microwave semiconductor device is the *point-contact diode*, also called a *crystal diode*. A point-contact diode comprises a piece of semiconductor material and a fine wire that makes contact with the semiconductor material. Because the wire makes contact with the semiconductor over a very small surface area, the capacitance is extremely low. Current flows easily from the cathode, the fine wire, to the anode, the semiconductor material. However, current does not flow easily in the opposite direction.

Point-contact diode (crystal diode)

Most early point-contact diodes used germanium page 642 as the semiconductor material, but today these devices are made of P-type silicon with a fine tungsten wire as the cathode. (See Fig. 18-32.) The forward threshold voltage is extremely low.

Figure 18-32 A point-contact diode.



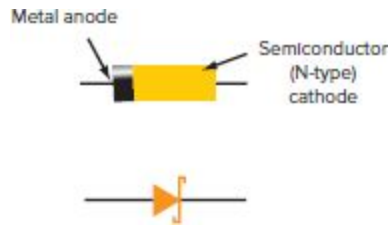
Point-contact diodes are ideal for small-signal applications. They are rare but still used in older microwave mixers and detectors and in microwave power measurement equipment. They are extremely delicate and cannot withstand high power. They are also easily damaged and therefore must be used in such a way to minimize shock and vibration.

Hot Carrier Diodes. For the most part, point-contact diodes have been replaced by *Schottky diodes*, sometimes referred to as *hot carrier diodes*. Most Schottky diodes are made with N-type silicon on which has been deposited a thin metal layer. Gallium arsenide is also used. The semiconductor forms the cathode, and the metal forms the anode. The structure and schematic symbol for a Schottky diode are shown in Fig. 18-33. Typical anode materials are nickel chromium and aluminum, although other metals, e.g., gold and platinum, are also used.

Schottky diode

Hot carrier diode

Figure 18-33 Hot carrier or Schottky diode.



Like the point-contact diode, the Schottky diode is extremely small and therefore has a tiny junction capacitance. It also has a low bias threshold voltage. It conducts at a forward bias of 0.2 to 0.3 V, whereas the silicon junction diode conducts at 0.6 V. Higher voltage drops across PN silicon diodes result from bulk resistance effects. Schottky diodes are ideal for mixing, signal detection, and other low-level signal operations. They are widely used in balanced modulators and mixers. Because of their very high-frequency response, Schottky diodes are used as fast switches at microwave frequencies.

The most important use of microwave diodes is as *mixers*. Microwave diodes are usually installed as part of a waveguide or cavity resonator tuned to the incoming signal frequency. A local-oscillator signal is injected with a probe or loop. The diode mixes the two signals and produces the sum and difference output frequencies. The difference frequency is usually selected with another cavity resonator or with a low-frequency *LC* tuned circuit. In a microwave circuit, the mixer is usually the input circuit. This is so because it is desirable to convert the microwave signal down to a lower-frequency level as early as possible, at a point where amplification and demodulation can take place with simpler, more conventional electronic circuits.

Mixer

Oscillator Diodes

Three types of diodes other than the tunnel diode that can oscillate due to negative-resistance characteristics are the

Gunn diodes and IMPATT and TRAPATT diodes.

Oscillator diode

Gunn Diodes. *Gunn diodes*, also called [page 643](#) *transferred-electron devices (TEDs)*, are not diodes in the usual sense because they do not have junctions. A Gunn diode is a thin piece of N-type gallium arsenide (GaAs) or indium phosphide (InP) semiconductor that forms a special resistor when voltage is applied to it. This device exhibits a negative-resistance characteristic. That is, over some voltage range, an increase in voltage results in a decrease in current and vice versa, just the opposite of Ohm's law. When it is so biased, the time it takes for electrons to flow across the material is such that the current is 180° out of phase with the applied voltage. If a Gunn diode so biased is connected to a cavity resonant near the frequency determined by the electron transit time, the resulting combination will oscillate. The Gunn diode, therefore, is used primarily as a microwave oscillator.

Gunn diode or transferred-electron device (TED)

Gunn diodes are available that oscillate at frequencies up to about 150 GHz. In the lower microwave range, power outputs from milliwatts up to several watts are possible. The thickness of the semiconductor determines the frequency of oscillation. However, if the cavity is made variable, the Gunn oscillator frequency can be adjusted over a narrow range.

GOOD TO KNOW

Some police radar guns use Gunn diode oscillators to generate microwave signals, and radar detector receivers use Gunn diodes as local oscillators.

IMPATT and TRAPATT Diodes. Two other microwave diodes widely used as oscillators are the *IMPATT* and

TRAPATT diodes. Both are PN-junction diodes made of silicon, GaAs, or InP. They are designed to operate with a high reverse bias that causes them to avalanche or break down. A high current flows. Over a narrow range, a negative-resistance characteristic is produced that causes oscillation when the diode is mounted in a cavity and properly biased. IMPATT diodes are available with power ratings up to about 25 W to frequencies as high as about 300 GHz. Pulsed power of several hundred watts is possible. IMPATT diodes are preferred over Gunn diodes if higher power is required. Their primary disadvantages are their higher noise level and higher operating voltages.

IMPATT diode

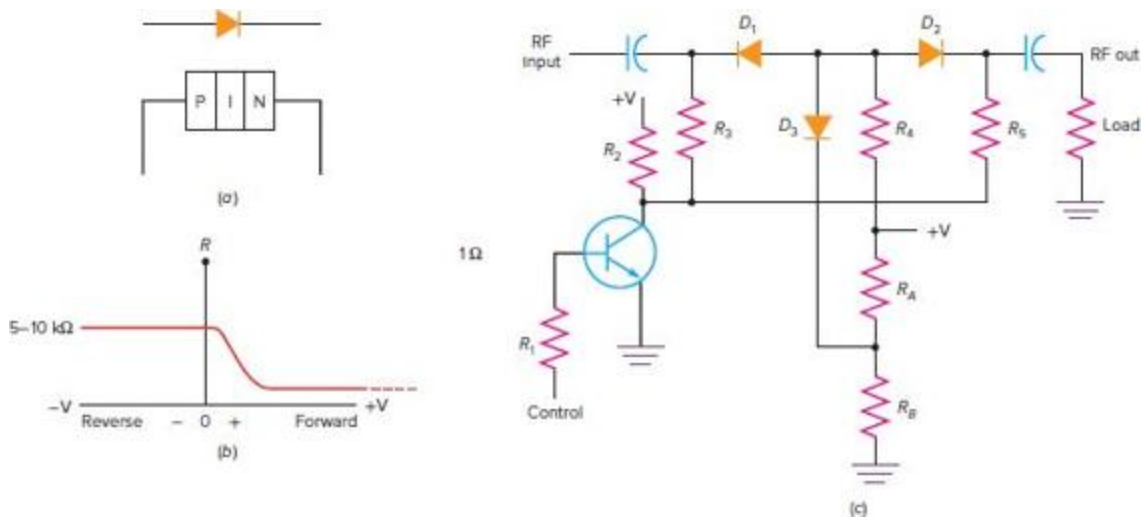
TRAPATT diode

PIN diode

PIN Diodes

A *PIN diode* is a special PN-junction diode with an I (intrinsic) layer between the P and N sections, as shown in Fig. 18-34(a). The P and N layers are usually silicon, although GaAs is sometimes used. In practice, the I layer is a very lightly doped N-type semiconductor.

Figure 18-34 A PIN diode. (a) Construction. (b) Characteristic curve. (c) Tee switch.



At frequencies less than about 100 MHz, the PIN diode acts just like any other PN junction diode. At higher frequencies, it acts like a variable resistor or like a switch. When the bias is zero or reverse, the diode acts like a high value of resistance, 5k Ω and higher. If a forward bias is applied, the diode resistance drops to a very low level, typically a few ohms or less. When the amount of forward bias is varied, the value of the resistance can be varied over a linear range. The characteristic curve for a PIN diode is shown in Fig. 18-34(b).

PIN diodes are used as switches in microwave page 644 circuits. A typical application is to connect a PIN diode across the output of a microwave transmission line like microstrip or stripline. When the diode is reverse-biased, it acts as a very high resistance and has little effect on the normally much lower characteristic impedance of the transmission line. When the diode is forward-biased, it shorts the line, creating almost total reflection. PIN diodes are widely used to switch sections of quarter- or half-wavelength transmission lines to provide varying phase shifts in a circuit.

A popular switching circuit is the *tee configuration* shown in Fig. 18-34(c), which is a combination of two series

switches and a shunt switch. It has excellent isolation between input and output. A simple saturated transistor switch is used for control. When the control input is binary 0, the transistor is off, so positive voltage is applied to the cathodes of diodes D_1 and D_2 . Diode D_3 conducts; because of the voltage divider, which is made up of R_A and R_B , the cathode of D_3 is at a lower positive voltage level than its anode. Under this condition, the switch is off, so no signal reaches the load.

Tee switching configuration

When the control input is positive, or binary 1, the transistor conducts, pulling the cathodes of D_1 and D_2 to ground through resistors R_3 and R_5 . The anodes of D_1 and D_2 are at positive voltage through resistor R_4 , so these diodes conduct. Diode D_3 is cut off. Thus the signal passes to the load.

PIN diodes are also sometimes used for their variable-resistance characteristics. Varying their bias to change resistance permits variable-voltage attenuator circuits to be created. PIN diodes can also be used as amplitude modulators.

18-5 Microwave Tubes

Vacuum tubes are still found in some types of microwave equipment. A more modern term for these tubes is vacuum electronic devices (VEDs). This is particularly true in microwave transmitters used for producing high output power. Bipolar field-effect transistors can produce power in the microwave region up to approximately several hundred watts, but many applications require more power. Radio transmitters in the UHF and low microwave bands use standard vacuum tubes designed for power amplification. These can produce power levels of up to several thousand

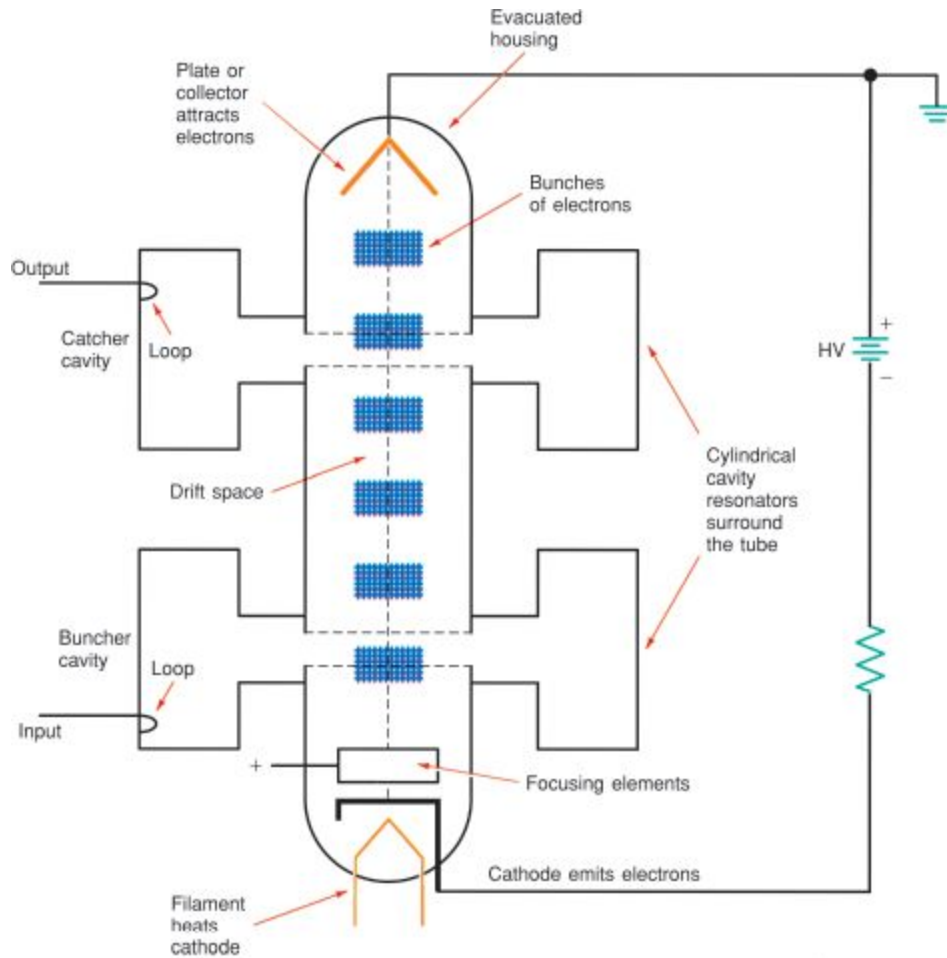
watts. At higher microwave frequencies (above 2 GHz), special tubes are used. In satellites and their earth stations, TV stations, and in some military equipment such as radar, very high output powers are needed. The newer GaN power transistors can produce power levels to about 50 watts but can be paralleled to deliver a power of hundreds and even thousands of watts. However, special microwave tubes developed during World War II—the klystron, the magnetron, and the traveling-wave tube—are still used in some older equipment for microwave power amplification.

Klystrons

A *klystron* is a microwave vacuum tube using cavity resonators to produce velocity modulation of an electron beam that produces amplification. Fig. 18-35 is a schematic diagram of a two-cavity klystron amplifier. The vacuum tube itself consists of a cathode that is heated by a filament. At a very high temperature, the cathode emits electrons. These negative electrons are attracted by a plate or collector, which is biased with a high positive voltage. Thus current flow is established between the cathode and the collector inside the evacuated tube.

Klystron

Figure 18-35 A two-cavity klystron amplifier.



The electrons emitted by the cathode are focused into a very narrow stream by using electrostatic and electromagnetic focusing techniques. In *electrostatic focusing*, special elements called *focusing plates* to which have been applied high voltages force the electrons into a narrow beam. Electromagnetic focusing makes use of coils around the tube through which current is passed to produce a magnetic field. This magnetic field helps focus the electrons into a narrow beam.

The sharply focused beam of electrons is then page 645 forced to pass through the centers of two cavity resonators that surround the open center cavity. The microwave signal to be amplified is applied to the lower cavity through a coupling loop. This sets up electric and

magnetic fields in the cavity, which cause the electrons to speed up and slow down as they pass through the cavity. On one half-cycle, the electrons are speeded up; on the next half cycle of the input, they are slowed down. The effect is to create bunches of electrons that are one-half wavelength apart in the drift space between the cavities. This speeding up and slowing down of the electron beam is known as *velocity modulation*. Since the input cavity produces bunches of electrons, it is commonly referred to as the *buncher cavity*.

Velocity modulation

Buncher cavity

Because the bunched electrons are attracted by the positive collector, they move on through the tube, eventually passing through the center of another cavity known as the catcher cavity. Because the bunched electrons move toward the collector in clouds of alternately dense and sparse areas, the electron beam can be referred to as a *density-modulated* beam.

Density-modulated

As the bunches of electrons pass through the catcher cavity, the cavity is excited into oscillation at the resonant frequency. Thus the dc energy in the electron beam is converted to RF energy at the cavity frequency, and amplification occurs. The output is extracted from the catcher cavity with a loop.

Klystrons are also constructed with additional page 646 cavities between the buncher and catcher cavities.

These intermediate cavities produce further bunching, which causes increased amplification of the signal. If the buncher cavities are tuned off center frequency from the input and output cavities, the effect is to broaden the bandwidth of the tube. The frequency of operation of a

klystron is set by the sizes of the input and output cavities. Because cavities typically have high Q s, their bandwidth is limited. By lowering the Q s of the cavities and by introducing intermediate cavities, wider-bandwidth operation can be achieved.

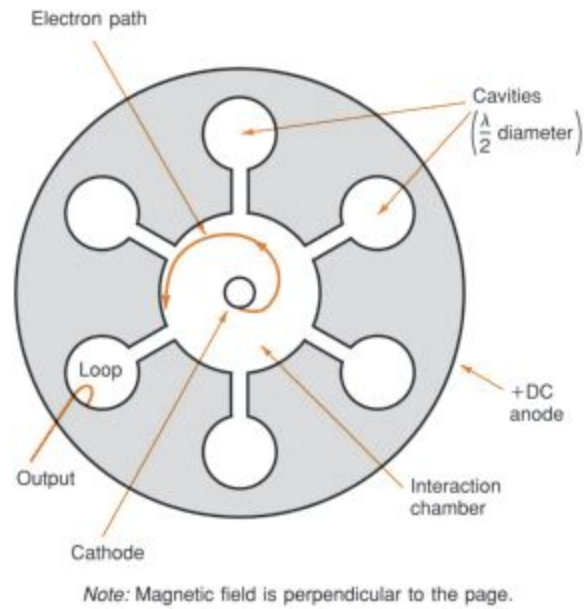
Klystrons are no longer widely used in most microwave equipment. Gunn diodes and some newer ICs have replaced the smaller reflex klystrons in signal-generating applications because they are smaller and lower in cost and do not require high dc supply voltages. The larger multicavity klystrons are being replaced by traveling-wave tubes in high-power applications.

Magnetrons

Another widely used microwave tube is the *magnetron*, a combination of a simple diode vacuum tube with built-in cavity resonators and an extremely powerful permanent magnet. The typical magnetron assembly shown in Fig. 18-36 consists of a circular anode into which has been machined with an even number of resonant cavities. The diameter of each cavity is equal to a one-half wavelength at the desired operating frequency. The anode is usually made of copper and is connected to a high-voltage positive direct current.

Magnetron

Figure 18-36 A magnetron tube used as an oscillator.



In the center of the anode, called the *interaction chamber*, is a circular cathode that emits electrons when heated. In a normal diode vacuum tube, the electrons would flow directly from the cathode straight to the anode, causing a high current to flow. In a magnetron tube, however, the direction of the electrons is modified because the tube is surrounded by a strong magnetic field. The field is usually supplied by a C-shaped permanent magnet centered over the interaction chamber. In the figure, the field is labeled *perpendicular to the page*; this means that the lines of force could be coming out of the page or going into the page depending upon the construction of the tube.

Interaction chamber

The magnetic fields of the moving electrons interact with the strong field supplied by the magnet. The result is that the path for electron flow from the cathode is not directly to the anode, but instead is curved. By properly adjusting the anode voltage and the strength of the magnetic field, the electrons can be made to bend such that they rarely reach the anode and cause current flow. The path becomes circular loops, as illustrated in Fig. 18-36. Eventually, the

electrons do reach the anode and cause current flow. By adjusting the dc anode voltage and the strength of the magnetic field, the electron path is made circular. In making their circular passes in the interaction chamber, electrons excite the resonant cavities into oscillation. A magnetron, therefore, is an oscillator, not an amplifier. A takeoff loop in one cavity provides the output.

Magnetrons are capable of developing extremely page 647 high levels of microwave power. Thousands and even millions of watts of power can be produced by a magnetron. When operated in a pulsed mode, magnetrons can generate several megawatts of power in the microwave region. Pulsed magnetrons are commonly used in radar systems. Continuous-wave magnetrons are also used and can generate hundreds and even thousands of watts of power. A typical application for a continuous-wave magnetron is for heating purposes in microwave ovens at 2.45 GHz.

Traveling-Wave Tubes

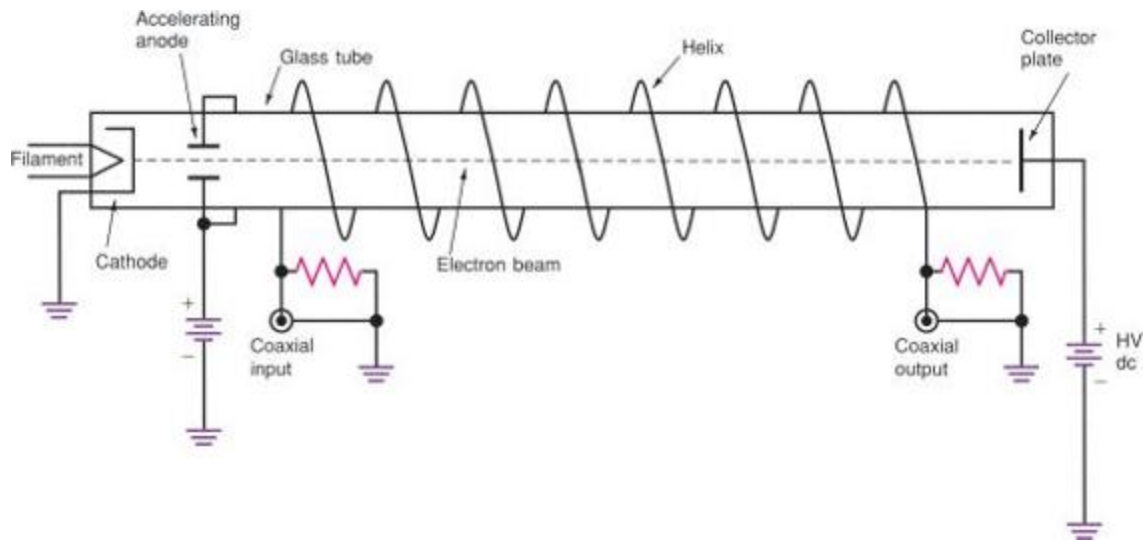
One of the most versatile microwave RF power amplifiers is the *traveling-wave tube (TWT)*, which can generate hundreds and even thousands of watts of microwave power. The main virtue of the TWT is an extremely wide bandwidth. It is not resonant at a single frequency.

Traveling-wave tube (TWT)

Fig. 18-37 shows the basic structure of a traveling-wave tube. It consists of a cathode and filament heater plus an anode that is biased positively to accelerate the electron beam forward and to focus it into a narrow beam. The electrons are attracted by a positive plate called the *collector* to which is applied a very high dc voltage. Traveling-wave tubes can be anywhere from 1 ft to several

feet. In any case, the length of the tube is usually many wavelengths at the operating frequency. Permanent magnets or electromagnets surround the tube, keeping the electrons tightly focused into a narrow beam.

Figure 18-37 A traveling-wave tube (TWT).



Encircling the length of a traveling-wave tube is a helix or coil. The electron beam passes through the axis of the helix. The microwave signal to be amplified is applied to the end of the helix near the cathode, and the output is taken from the end of the helix near the collector. The purpose of the helix is to provide a path for the RF signal that will slow down its propagation. The propagation of the RF signal along the helix is made approximately equal to the velocity of the electron beam from cathode to collector. The helix is configured such that the wave traveling along it is slightly slower than that of the electron beam.

The passage of the microwave signal down the helix produces electric and magnetic fields that interact with the electron beam. The effect on the electron beam is similar to that in a klystron. The electromagnetic field produced by the helix causes the electrons to be speeded up and slowed down. This produces velocity modulation of the beam, which

in turn produces density modulation. Density modulation, of course, causes bunches of electrons to group one wavelength apart. These bunches of electrons travel down the length of the tube toward the collector. Since the density-modulated electron beam is essentially in step with the electromagnetic wave traveling down the helix, the electron bunches induce voltages into the helix that reinforce the existing voltage. The result is that the strength of the electromagnetic field on the helix increases as the wave travels down the tube toward the collector. At the end of the helix, the signal is considerably amplified. Coaxial cable or waveguide structures are used to extract energy from the helix.

Traveling-wave tubes can be made to amplify page 648 signals in a range from UHF to hundreds of gigahertz. Most TWTs have a frequency range of approximately 2:1 in the desired segment of the microwave region to be amplified. TWTs can be used in both continuous and pulsed modes of operation. One of the most common applications of TWTs is as power amplifiers in satellite transponders. GaN power amplifiers are gradually replacing TWTs in the lower power ranges because they are smaller, more rugged, and less expensive.

18-6 Microwave Antennas

All the antennas we discussed in Chap. 16 can also be used at microwave frequencies. However, these antennas will be extremely small. At 5 GHz a half-wave dipole is slightly less than 1 in long, and a one-quarter wavelength vertical is slightly less than 0.5 in long. These antennas can, of course, radiate microwave signals, but inefficiently. Because of the line-of-sight transmission of microwave signals, highly directive antennas are preferred because they do not waste

the radiated energy and because they provide an increase in gain, which helps offset the noise and distance problems at microwave frequencies. For these important reasons, special high-gain, highly directive antennas are normally used in microwave and millimeter-wave applications.

Microwave antenna

Low-Frequency Antennas

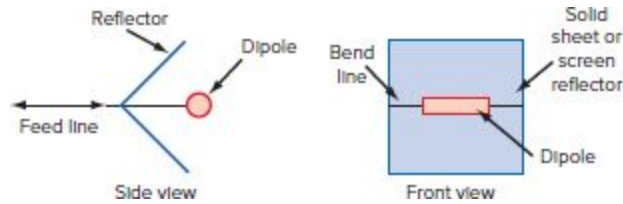
GOOD TO KNOW

Special high-gain, highly directive antennas are used in microwave applications because they do not waste the radiated energy. They also provide an increase in gain, which helps offset the noise problems at these frequencies.

At low microwave frequencies, less than 2 GHz, standard antennas are commonly used, including the dipole and its variations such as the bow tie, the Yagi, and the ground-plane antenna. Another variation is the *corner reflector* shown in Fig. 18-38. This antenna is a fat, wide-bandwidth, half-wave dipole fed with low-loss coaxial cable. Behind the dipole is a reflector made of solid sheet metal, a group of closely spaced horizontal rods, or a fine-mesh screen material to reduce wind resistance. This arrangement gives better reflection than a simple rod reflector as used in a Yagi, so the gain is higher.

Corner reflector

Figure 18-38 A corner reflector used with a dipole for low microwave frequencies.



The angle of the reflector is usually 45° , 60° , or 90° . The spacing between the dipole and the corner of the reflector is usually in the range from about 0.25λ to 0.75λ . Within that spacing range, the gain varies only about 1.5 dB. However, the feed point impedance of the dipole varies considerably with spacing. The spacing is usually adjusted for the best impedance match. It is common to use 50- or 75- Ω coaxial cable, which is relatively easy to match. The overall gain of a corner reflector antenna is 10 to 15 dB. Higher gains can be obtained with a parabolic reflector, but corner reflectors are easier to make and much less expensive.

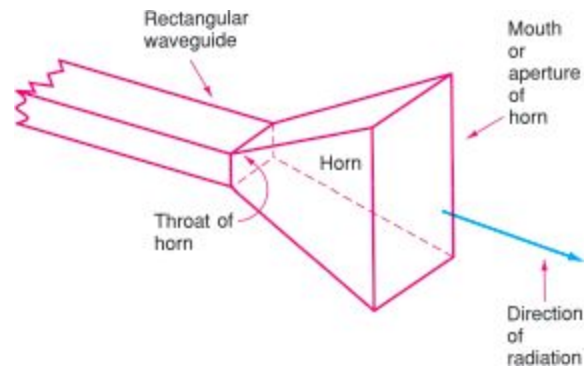
Horn Antennas

As discussed previously, waveguides are sometimes used with microwave signals. Below approximately 6 GHz, special coaxial cables can be used effectively if the distances between the antenna and the receiver or transmitter are less than 50 ft. In some microwave systems, waveguides are preferred because of their low loss. Microwave antennas, therefore, must be some extension of or compatible with a waveguide. Waveguides are, of course, inefficient radiators if simply left open at the end. The problem with using a waveguide as a radiator is that it provides a poor impedance match with free space, and the mismatch results in standing waves and reflected power. The result is tremendous power loss of the radiated signal. This mismatch can be offset by simply flaring the end of the waveguide to create a *horn antenna*, as shown in Fig. 18-39. The longer and more gradual the flair, the better the impedance match and the

lower the loss. Horn antennas have excellent gain and directivity. The longer the horn, the greater its gain and directivity.

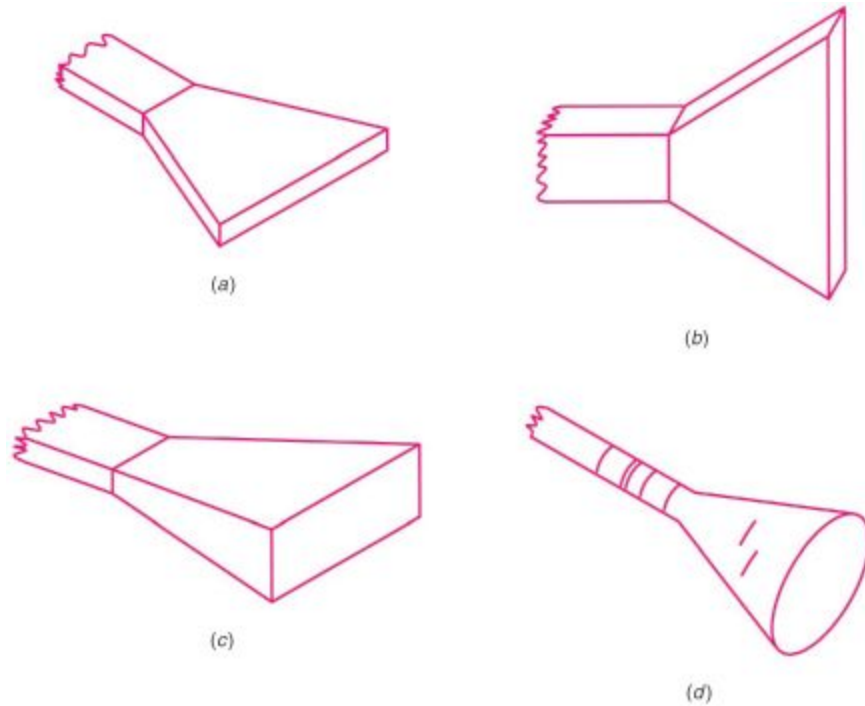
Horn antenna

Figure 18-39 Basic horn antenna.



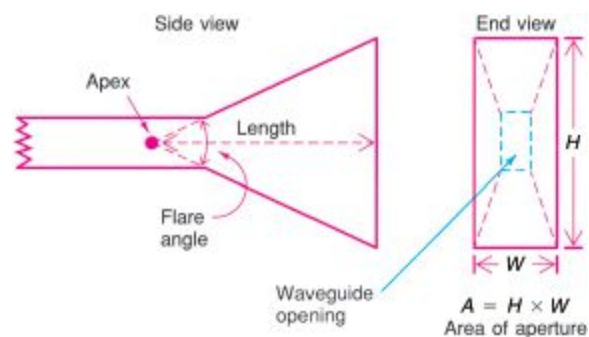
Different kinds of horn antennas can be created by flaring the end of the waveguide in different ways. For example, flaring the waveguide in only one dimension creates a sectoral horn, as shown in Figs. 18-40(a) and (b). Two of the sides of the horn remain parallel with the sides of the waveguide, and the other dimension is flared. Flaring both dimensions of the horn produces a pyramidal horn, as shown in Fig. 18-40(c). If a circular waveguide is used, the flare produces a conical horn, as in Fig. 18-40(d).

Figure 18-40 Types of horn antennas. (a) Sectoral horn. (b) Sectoral horn. (c) Pyramidal horn. (d) Conical horn.



The gain and directivity of a horn are a direct function of its dimensions; the most important dimensions are horn length, aperture area, and flare angle (Fig. 18-41).

Figure 18-41 Dimensions of a horn.



GOOD TO KNOW

Most large earth station antennas use a Cassegrain feed arrangement.

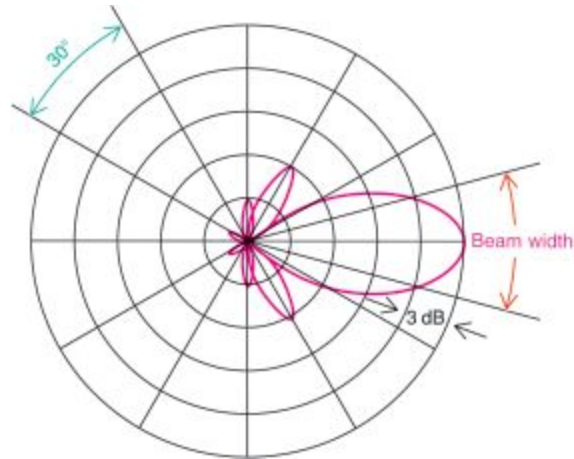
The length of a typical horn is usually 2λ to 15λ at the operating frequency. Assuming an operating frequency of 10

GHz, the length of λ is $300/f = 300/10,000 = 0.03$ m, where f is in megahertz. A length of 0.03 m equals 3 cm; 1 in equals 2.54 cm, so a wavelength at 10 GHz is $3/2.54 = 1.18$ in. Thus a typical horn at 10 GHz could be anywhere from about 2½ to 18 in long. Longer horns are, of course, more difficult to mount and work with, but provide higher gain and better directivity.

The aperture is the area of the rectangle formed by the opening of the horn, and it is the product of the height and width of the horn, as shown in Fig. 18-41. The greater this area, the higher the gain and directivity. The flare angle also affects gain and directivity. Typical flare angles vary from about 20° to 60°. Obviously, all these dimensions are interrelated. For example, increasing the flare angle increases the aperture area, and for a given aperture area, decreasing the length increases the flare angle. Any of these dimensions can be adjusted to achieve a desired design objective.

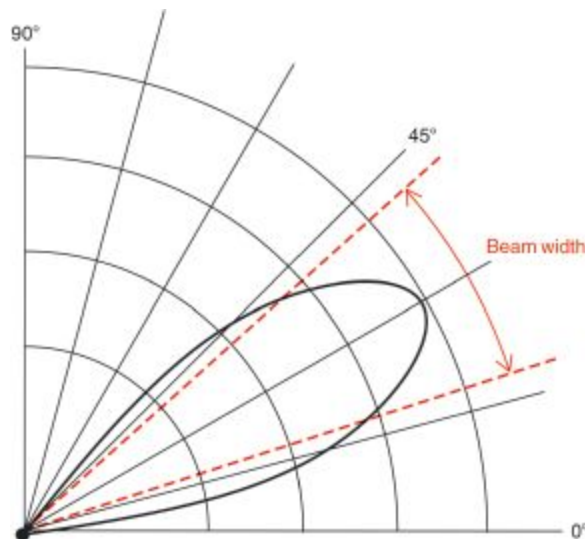
Beam Width. Remember that the directivity of an antenna is measured in terms of beam width, the angle formed by extending lines from the center of the antenna response curve to the 3-dB down points. In the example in Fig. 18-42, the beam width is approximately 30°. Horn antennas typically have a beam angle somewhere in the 10° to 60° range.

Figure 18-42 Directivity of an antenna as measured by beam width.



The signal radiated from an antenna is three-page 650 dimensional. The directivity patterns indicate the horizontal radiation pattern of the antenna. The antenna also has a vertical radiation pattern. Fig. 18-43 is a typical plot of the vertical radiation pattern of a horn antenna. On pyramidal and circular horns, the vertical beam width is usually about the same angle as the horizontal beam width. This is not true for sectoral horns.

Figure 18-43 Vertical directivity of an antenna.



The horizontal beam width B of a pyramidal horn is computed by using the expression

$$B = \frac{80}{w/\lambda}$$

where w = horn width

λ = wavelength of operating frequency

As an example, assume an operating frequency of page 651 10 GHz (10,000 MHz), which gives a wavelength of 0.03 m, as computed earlier. If the pyramidal horn is 10 cm high and 12 cm wide, the beam width is $80/(0.12/0.03) = 80/4 = 20^\circ$.

Gain. The gain of a pyramidal horn can also be computed from its dimensions. The approximate power gain of a pyramidal horn antenna is

$$G = 4\pi \frac{KA}{\lambda^2}$$

where A = aperture of horn, m^2

λ = wavelength, m

K = constant derived from how uniformly the phase and amplitude of electromagnetic fields are distributed across aperture

The typical values of K are 0.5 to 0.6.

Let us take as an example the previously page 652 described horn (height = 10 cm; width = 12 cm). The aperture area is

$$A = \text{height} \times \text{width} = 10 \times 12 = 120 \text{ cm}^2 = 0.012 \text{ m}^2$$

The operating frequency is 10 GHz, so $\lambda = 0.03 \text{ m}$ or 3 cm. The gain is

$$G = \frac{4(3.14)(0.5)(0.012)}{(0.03)^2} = \frac{0.07536}{0.0009} = 83.7$$

This is the power ratio P . To find the gain in decibels, the standard power formula is used:

$$\text{dB} = 10 \log P$$

where P is the power ratio or gain. Here,

$$\begin{aligned} \text{dB} &= 10 \log 83.7 \\ &= 10(1.923) \\ &= 19.23 \end{aligned}$$

This is the power gain of the horn over a standard half-wave dipole or quarter-wave vertical.

Bandwidth. Most antennas have a narrow bandwidth because they are resonant at only a single frequency. Their dimensions determine the frequency of operation. Bandwidth is an important consideration at microwave frequencies because the spectrum transmitted on the microwave carrier is usually very wide so that a considerable amount of information can be carried. Horns are essentially nonresonant or aperiodic, which means that they can operate over a wide frequency range. The bandwidth of a typical horn antenna is approximately 10 percent of the operating frequency. The bandwidth of a horn at 10 GHz is approximately 1 GHz. This is an enormous bandwidth—plenty wide enough to accommodate almost any kind of complex modulating signal.

Parabolic Antennas

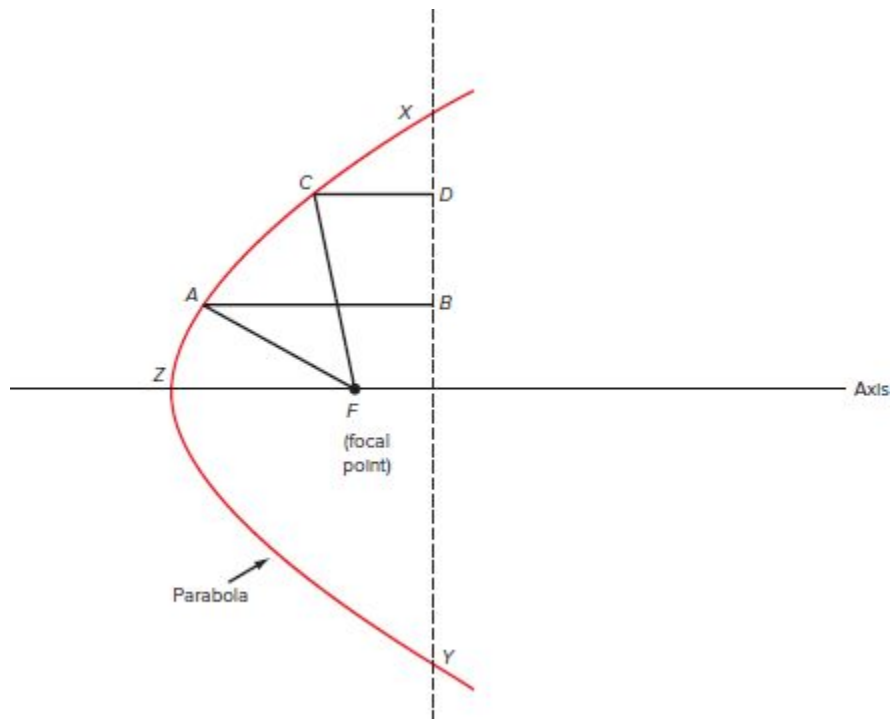
Horn antennas are used by themselves in many microwave applications. When higher gain and directivity is desirable, it can easily be obtained by using a horn in conjunction with a parabolic reflector. A *parabolic reflector* is a large dish-shaped structure made of metal or screen mesh. The energy radiated by the horn is pointed at the reflector, which focuses the radiated energy into a narrow beam and reflects it toward its destination. Because of the unique parabolic shape, the electromagnetic waves are narrowed into an extremely small beam. Beam widths of only a few degrees

are typical with parabolic reflectors. Of course, such narrow beam widths also represent extremely high gains.

Parabolic reflector

A parabola is a common geometric figure. See Fig. 18-44. A key dimension of a parabola is a line drawn from its center at point Z to a point on the axis labeled F , which is the focal point. The ends of a parabola theoretically extend outward for an infinite distance, but for practical applications they are limited. In the figure, the limits are shown by the dashed vertical line; the endpoints are labeled X and Y .

Figure 18-44 Cross-sectional view of a parabolic dish antenna.



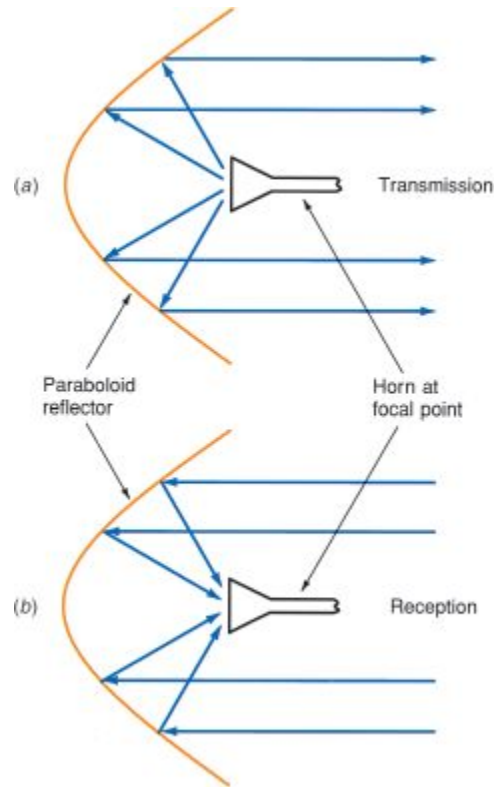
The distance between a parabola's focal point and any point on the parabola and then to the vertical dashed line is a constant value. For example, the sum of lines FA and AB is equal to the sum of lines FC and CD . This effect causes a parabolic surface to collimate electromagnetic waves into a narrow beam of energy. An antenna placed at the focal point

F will radiate waves from the parabola in parallel lines. If used as a receiver, the parabola will pick up the electromagnetic waves and reflect them to the antenna located at the focal point.

The key thing to remember about a parabolic reflector is that it is not two-dimensional. If a parabola is rotated about its axis, a three-dimensional dish-shaped structure results. This is called a paraboloid.

Fig. 18-45 shows how a parabolic reflector is used page 653 in conjunction with a conical horn antenna for both transmission and reception. The horn antenna is placed at the focal point. In transmitting, the horn radiates the signal toward the reflector, which bounces the waves off the reflector and collimates them into a narrow parallel beam. When used for receiving, the reflector picks up the electromagnetic signal and bounces the waves toward the antenna at the focal point. The result is an extremely high-gain, narrow-beam-width antenna.

Figure 18-45 Sending and receiving with a parabolic reflector antenna.



Note that any common antenna type (e.g., a dipole) can be used with a parabolic reflector to achieve the effects just described.

Gain. The gain of a parabolic antenna is directly proportional to the aperture of the parabola. The aperture, the area of the outer circle of the parabola, is

$$A = \pi R^2$$

The gain of a parabolic antenna is given by the simple expression

$$G = 6 \left(\frac{D}{\lambda} \right)^2$$

where G = gain, expressed as a power ratio
 D = diameter of dish, m
 λ = wavelength, m

Most parabolic reflectors are designed so that the diameter is no less than λ at the lowest operating frequency. However, the diameter can be as much as 10λ if greater gain and directivity is required.

For example, the power gain of a 5-m-diameter dish at 10 GHz ($\lambda = 0.03$, as computed earlier) is

$$\begin{aligned} G &= 6 \left(\frac{5}{0.03} \right)^2 \\ &= 6(166.67)^2 \\ &= 6(27,778.9) = 166,673 \end{aligned}$$

Expressed in decibels, this is

page 654

$$\text{dB} = 10 \log 166,673 = 10(5.22) = 52.2$$

Beam Width. The beam width of a parabolic reflector is inversely proportional to the diameter. It is given by the expression

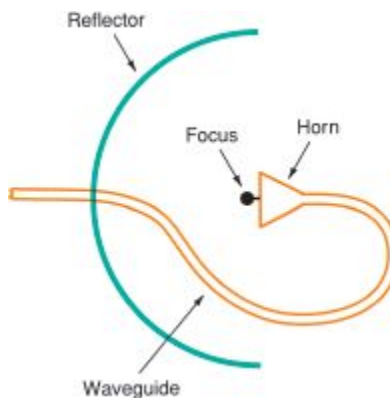
$$B = \frac{70}{D/\lambda}$$

The beam width of our 5-m, 10-GHz antenna is $70(5/0.03) = 70/166.67 = 0.42^\circ$.

With a beam width of less than 0.5° , the signal radiated from a parabolic reflector is a pencil-thin beam that must be pointed with great accuracy in order for the signal to be picked up. Usually both the transmitting and receiving antennas are of a parabolic design and have extremely narrow beam widths. For that reason, they must be accurately pointed if contact is to be made. Despite the fact that the beam from a parabolic reflector spreads out and grows in size with distance, directivity is good and gain is high. The precise directivity helps to prevent interference from signals coming in at angles outside of the beam width.

Feed Methods. Keep in mind that the parabolic dish is not the antenna, only a part of it. The antenna is the horn at the focal point. There are many physical arrangements used in positioning the horn. One of the most common is the seemingly awkward configuration shown in Fig. 18-46. The waveguide feeds through the center of the parabolic dish and is curved around so that the horn is positioned exactly at the focal point.

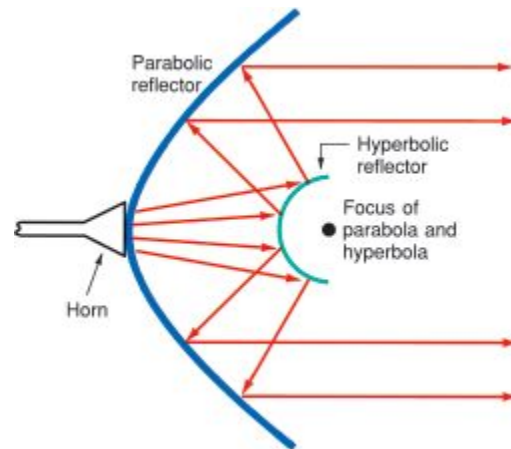
Figure 18-46 Standard waveguide and horn feed.



Another popular method of feeding a parabolic antenna is shown in Fig. 18-47. Here the horn antenna is positioned at the center of the parabolic reflector. At the focal point is another small reflector with either a parabolic or a hyperbolic shape. The electromagnetic radiation from the horn strikes the small reflector, which then reflects the energy toward the large dish, which in turn radiates the signal in parallel beams. This arrangement is known as a *Cassegrain feed*.

Cassegrain feed

Figure 18-47 Cassegrain feed.



The Cassegrain feed has several advantages over the feed arrangement in Fig. 18-46. The first is that the waveguide transmission line is shorter. In addition, the radical bends in the waveguide are eliminated. Both add up to less signal attenuation. The noise figure is also improved somewhat. Most large earth station antennas use a Cassegrain feed arrangement.

Many other feed arrangements have been developed for parabolic reflectors. In antennas used for satellite TV reception, a waveguide is not used. Instead, a horn antenna mounted at the focal point is usually fed with microwave coaxial cable. In other large antenna systems, various mechanical arrangements are used to permit the antenna to be rotated or its position otherwise physically changed. Many earth station antennas must be set up so that their azimuth and elevation can be changed to ensure proper orientation for the receiving antenna. This is particularly true of antennas used in satellite communication systems.

Some sophisticated systems use multiple horns on a single reflector. Such multiple feeds permit several signals on different frequencies to be either radiated or received with a single large reflecting structure.

Example 18-4

A parabolic reflector antenna has a diameter of 5 ft. Calculate (a) the lowest possible operating frequency, (b) the gain at 15 GHz, and (c) the beam width at 15 GHz. (The lowest operating frequency occurs where the dish diameter is λ .)

$$\begin{aligned}\text{a. } \lambda &= \frac{984}{f_{\text{MHz}}} \\ &= 5 \text{ ft} \\ f_{\text{MHz}} &= \frac{984}{5} = 196.8 \text{ MHz}\end{aligned}$$

b. There is 3.28 ft/m, so the diameter is $5/3.28 = 1.524$ m.

$$15 \text{ GHz} = 15,000 \text{ MHz}$$

$$\lambda = \frac{300}{f_{\text{MHz}}} = \frac{300}{15,000} = 0.02 \text{ m}$$

$$G = 6 \left(\frac{D}{\lambda} \right)^2 = 6 \left(\frac{1.524}{0.02} \right)^2 = 34,838.6 \quad (\text{power density ratio})$$

$$dB = 10 \log 34,838.6 = 45.42$$

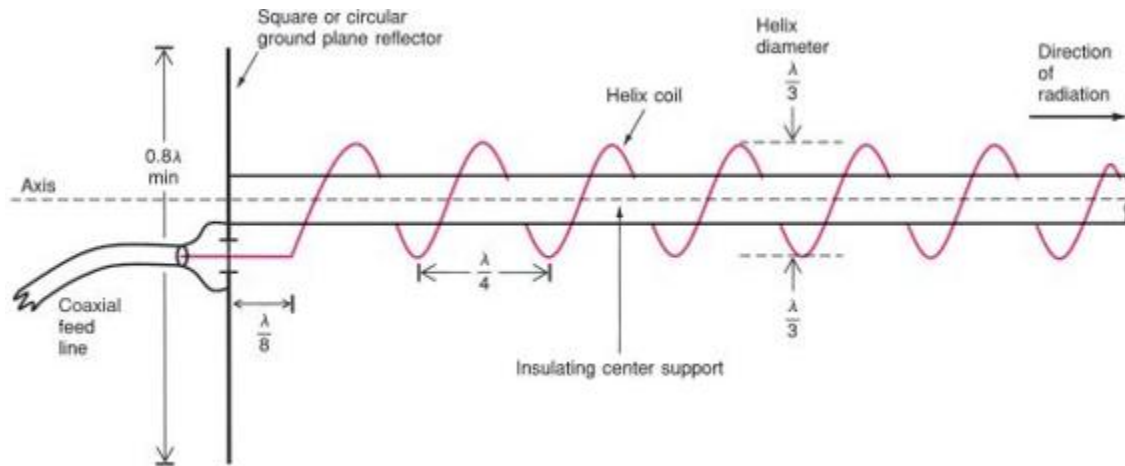
$$\text{c. } B = \frac{70}{D/\lambda} = \frac{70\lambda}{D} = \frac{70(0.02)}{1.524} = 0.92^\circ$$

Helical Antennas

A *helical antenna*, as its name suggests, is a wire helix (Fig. 18-48). A center insulating support is used to hold heavy wire or tubing formed into a circular coil or helix. The diameter of the helix is typically one-third wavelength, and the spacing between turns is approximately one-quarter wavelength. Most helical antennas use from six to eight turns. A circular or square ground-plane antenna or reflector is used behind the helix. Fig. 18-48 shows a coaxial feed line. Helical antennas are widely used at VHF and UHF ranges.

Helical antenna

Figure 18-48 The helical antenna.



The gain of a helical antenna is typically in the 12- to 20-dB range, and beam widths vary from approximately 12° to 45° . Although these values do not compare favorably with those obtainable with horns and parabolic reflectors, helical antennas are favored in many applications because of their simplicity and low cost.

Most antennas transmit either a vertically or a [page 657](#) horizontally polarized electromagnetic field. With a helical antenna, however, the electromagnetic field is caused to rotate. This is known as *circular polarization*. Either right-hand (clockwise) or left-hand (counterclockwise) circular polarization can be produced, depending on the direction of winding of the helix. Because of the rotating nature of the magnetic field, a circularly polarized signal can easily be received by either a horizontally or a vertically polarized receiving antenna. A helical receiving antenna can also easily receive horizontally or vertically polarized signals. Note, however, that a right-hand circularly polarized signal will not be picked up by a left-hand circularly polarized antenna, and vice versa. Therefore, helical antennas used at both transmitting and receiving ends of a communication link must both have the same polarization.

Circular polarization

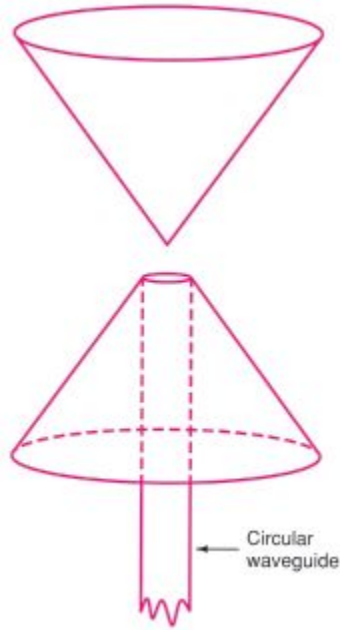
To obtain greater gain and narrower beam width, several helical antennas can be used in an array with a common reflector. A popular arrangement is a group of four helical antennas.

Bicone Antennas

Most microwave antennas are highly directional. But in some applications, an omnidirectional antenna may be required. One of the most widely used omnidirectional microwave antennas is the *bicone* (Fig. 18-49). The signals are fed into bicone antennas through a circular waveguide ending in a flared cone. The upper cone acts as a reflector, causing the signal to be radiated equally in all directions with a very narrow vertical beam width. A version of the bicone replaces the upper cone with a flat horizontal disk that performs the same function. Many commercial bicone antennas use this latter configuration and a coax transmission line instead of the waveguide.

Bicone antenna

Figure 18-49 The omnidirectional bicone antenna.

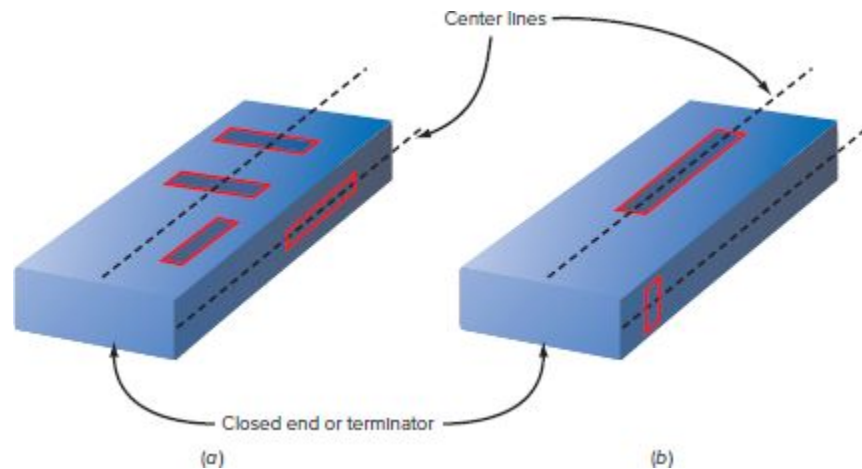


Slot Antennas

A *slot antenna* is a radiator made by cutting a one-half wavelength slot in a conducting sheet of metal or into the side or top of a waveguide. The basic slot antenna is made by cutting a one-half wavelength slot in a large metal sheet. It has the same characteristics as a standard dipole antenna, as long as the metal sheet is very large compared to λ at the operating frequency. A more common way of making a slot antenna is shown in Fig. 18-50. The slot must be one-half wavelength long at the operating frequency. Fig. 18-50(a) shows how the slots must be positioned on the waveguide to radiate. If the slots are positioned on the center lines of the waveguide sides, as in Fig. 18-50(b), they will not radiate.

Slot antenna

Figure 18-50 Slot antennas on a waveguide. (a) Radiating slots. (b) Nonradiating slots.

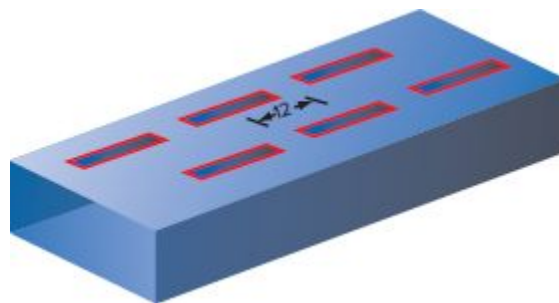


GOOD TO KNOW

Slot antennas are widely used on high-speed aircraft because they can be integrated into the metallic skin of the plane and therefore do not interfere with the airflow dynamics at high speeds.

Several slots can be cut into the same waveguide [page 658](#) to create a slot antenna array (Fig. 18-51). Slot arrays, which are equivalent to driven arrays with many elements, have better gain and better directivity than single-slot antennas.

Figure 18-51 A slot antenna array.



Slot antennas are widely used on high-speed aircraft. External antennas would be torn off at such high speeds or would slow the aircraft. The slot antenna can be integrated

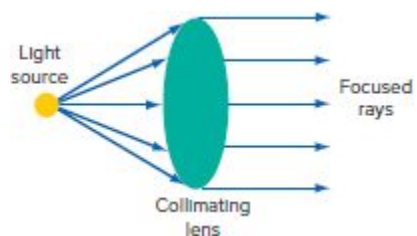
into the metallic skin of the aircraft. The slot itself is filled in with an insulating material to create a smooth skin surface.

Dielectric (Lens) Antennas

As discussed previously, radio waves, similar to light waves, can be reflected, refracted, diffracted, and otherwise manipulated. This is especially true of microwaves, which are close in frequency to light. Thus a microwave antenna can be created by constructing a device that serves as a lens for microwaves just as glass or plastic can serve as a lens for light waves. These *dielectric* or *lens antennas* use a special dielectric material to collimate or focus the microwaves from a source into a narrow beam. Fig. 18-52 shows how a lens concentrates light rays from a source into a focused narrow beam. A dielectric lens antenna operates in a similar way.

Dielectric (lens) antenna

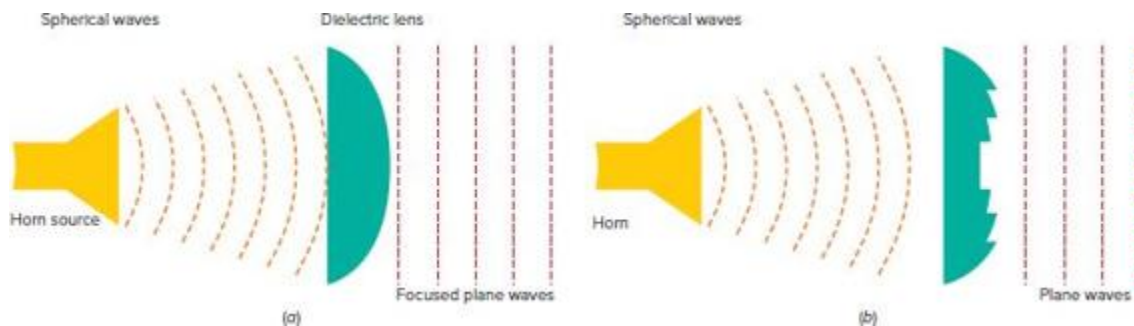
Figure 18-52 How a lens focuses light rays.



An example of a lens antenna is one used in the millimeter wave range. The microwave energy is coupled to a horn antenna through a waveguide. A dielectric lens is placed over the end of the horn, which focuses the waves into a narrower beam with greater gain and directivity. In technical terms, the lens takes the microwaves from a source with a spherical wave front (e.g., a horn antenna) and concentrates them into a plane wave front. A lens like that shown in Fig. 18-53(a) can be used. The shape of the

lens ensures that all the entering waves with a spherical wave front are put into phase at the output to create the concentrated plane wave front. However, the lens in Fig. 18-53(a) will work only when it is very thick at the center. This creates great signal loss, especially at the lower microwave frequencies. To get around this problem, a stepped or zoned lens, such as the one shown in Fig. 18-53(b), can be used. The spherical wave front is still converted to a focused plane wave front, but the thinner lens causes less attenuation.

Figure 18-53 Lens antenna operations. (a) Dielectric lens. (b) Zoned lens.



Lens antennas are usually made of polystyrene or some other plastic, although other types of dielectric can be used. They are rarely used at the lower microwave frequencies. Their main use is in the millimeter range above 40 GHz.

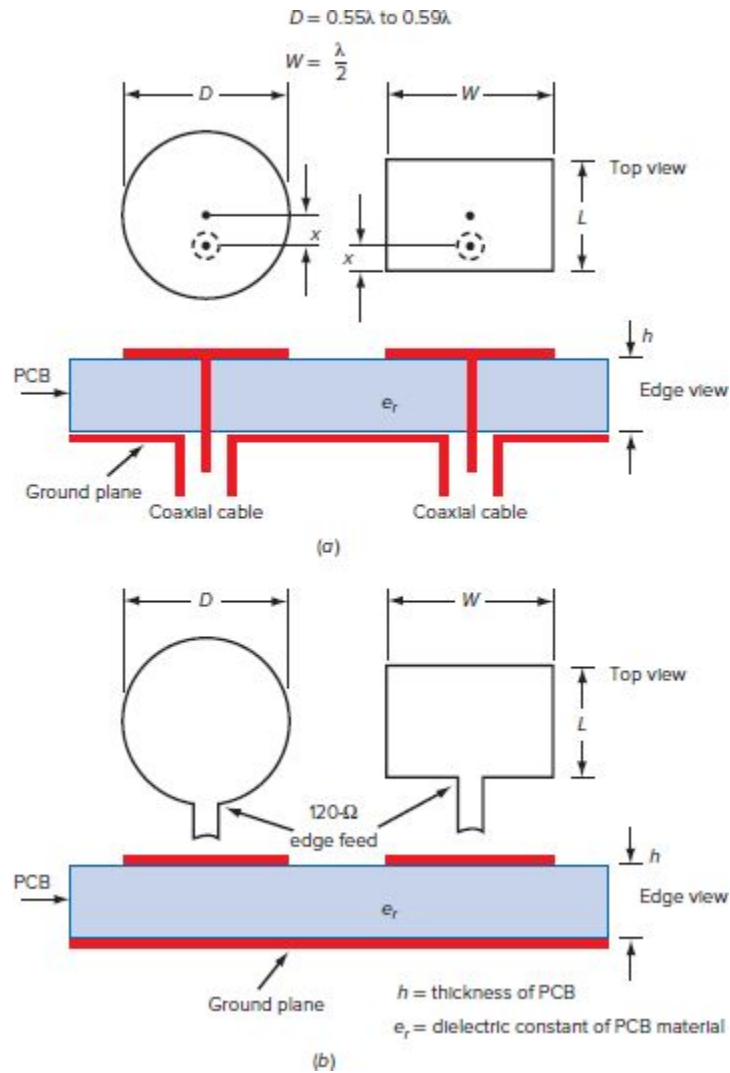
Patch Antennas

Patch antennas are made with microstrip on PCBs. The antenna is a circular or rectangular area of copper separated from the ground plane on the bottom of the board by the thickness of the PCB's insulating material (see Fig. 18-54). The width of the rectangular antenna is approximately one-half wavelength, and the diameter of the circular antenna is about 0.55λ to 0.59λ . In both cases, the exact dimensions depend upon the dielectric constant and

the thickness of the PCB material. The most commonly used PC board material for patch antennas is a Teflon-fiberglass combination.

Patch antenna

Figure 18-54 Patch or microstrip antennas. (a) Coaxial feed. (b) Edge feed.



The feed method for patch antennas can be either coaxial or edge. With the coaxial method, the center conductor of a coaxial cable is attached somewhere between the center and the edge of the patch, and the coaxial shield is attached to the ground plane [Fig. 18-54(a)]. If the antenna is fed at

the edge, a length of microstrip is connected from the source to the edge, as shown in Fig. 18-54(b). The impedance of the edge feed is about $120\ \Omega$. A quarter-wave Q section can be used to match this impedance to the $50\text{-}\Omega$ impedance that is characteristic of most circuits. When coaxial feed is used, the impedance is zero at the center of the antenna and increases to $120\ \Omega$ at the edge. Correctly positioning the coaxial cable center on the patch [dimension x in Fig. 18-54(a)] allows extremely accurate impedance matching.

Patch antennas are small, inexpensive, and easy page 660 to construct. In many applications, they can simply be integrated on the PCB with the transmitter or receiver. A disadvantage of patch antennas is their narrow bandwidth, which is usually no more than about 5 percent of the resonant frequency with circular patches and up to 10 percent with rectangular patches. The bandwidth is directly related to the thickness of the PCB material, i.e., the distance between the antenna and the ground plane [h in Fig. 18-54(b)]. The greater the thickness of the PCB dielectric, the greater the bandwidth.

The radiation pattern of a patch antenna is approximately circular in the direction opposite to that of the ground plane.

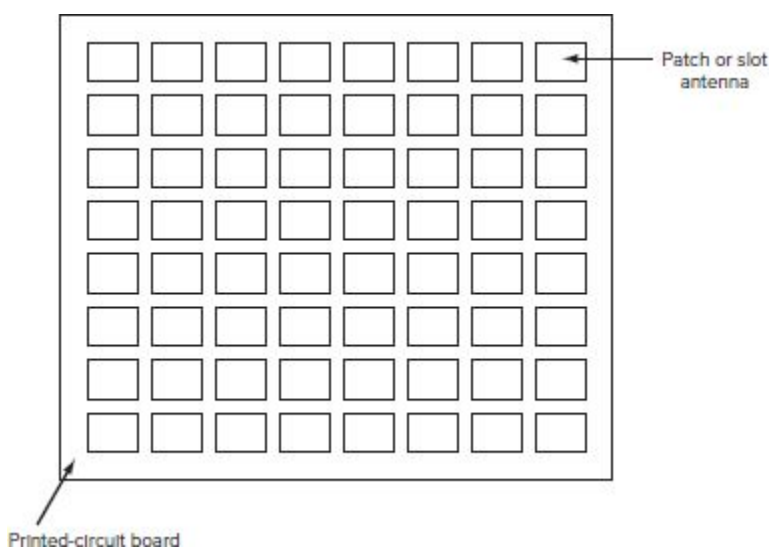
Phased Arrays

A *phased array* is an antenna system made up of a large group of similar antennas on a common plane. Patch antennas on a common PCB can be used, or separate antennas such as dipoles can be physically mounted together in a plane. See Fig. 18-55. Slot antennas are also used. The antennas are driven by transmission lines that incorporate impedance-matching, power-splitting, and phase-shift circuits. The basic purpose of an array is to

improve gain and directivity. Arrays also offer better control of directivity, because individual antennas in an array can be turned off or on, or driven through different phase shifters. The result is that the array can be “steered”—i.e., its radiation pattern can be pointed over a wide range of different directions—without physically moving the antenna.

Phased array

Figure 18-55 An 8 × 8 phase array using patch antennas. (Feed lines are not shown.)



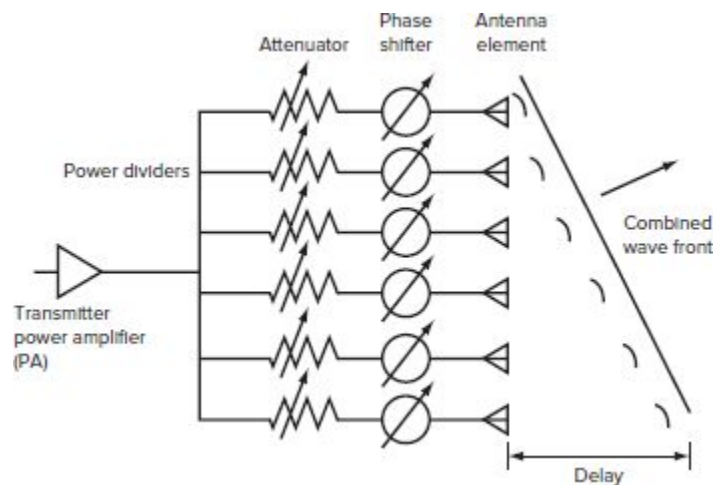
There are two common arrangements for phased arrays. In one configuration, the multiple antennas are driven by a common transmitter or feed a common receiver. A second approach is to have a low-power transmitter amplifier or low-noise receiver amplifier associated with each dipole or patch in the array. In both cases, the switching and phase shifting are under the control of a microcontroller. Different programs in the processor select the gain, directivity, and other factors as required by the application.

Phased arrays achieve their advantages and agility by manipulating the signal to each and every antenna element in the array. Each antenna has its own radiation pattern, but when the antennas are close together, the antenna beams

overlap and interfere with one another constructively or destructively. That means that the beams add together to form narrower but stronger beams or cancel one another out to form a null. A wide range of results can be achieved by controlling the amplitude and phase of the signals applied to each antenna. Beam width and beam direction can be precisely controlled.

Fig. 18-56 shows the concept of how the beams are constructed and controlled during transmission. A power amplifier output is sent to some power dividers that split up the power into equal levels. These equal level signals then pass through attenuators and phase shifters before they are applied to the individual antennas. The phase shifters and attenuators can be adjusted electronically to produce a desired output beam. By controlling the phase, the lower signals are delayed more than the upper signals creating a combination beam that is pointed in the direction shown.

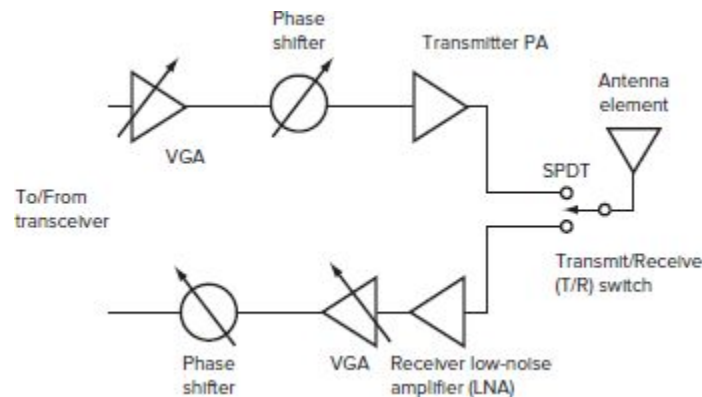
Figure 18-56 Concept of beam forming with a phased array.



A newer method uses separate transmitters and page 662 receivers on each antenna element along with phase and amplitude controls. Instead of an attenuator, a variable gain amplifier (VGA) is used. The same gain and phase controls are used on both transmit and receive. Fig.

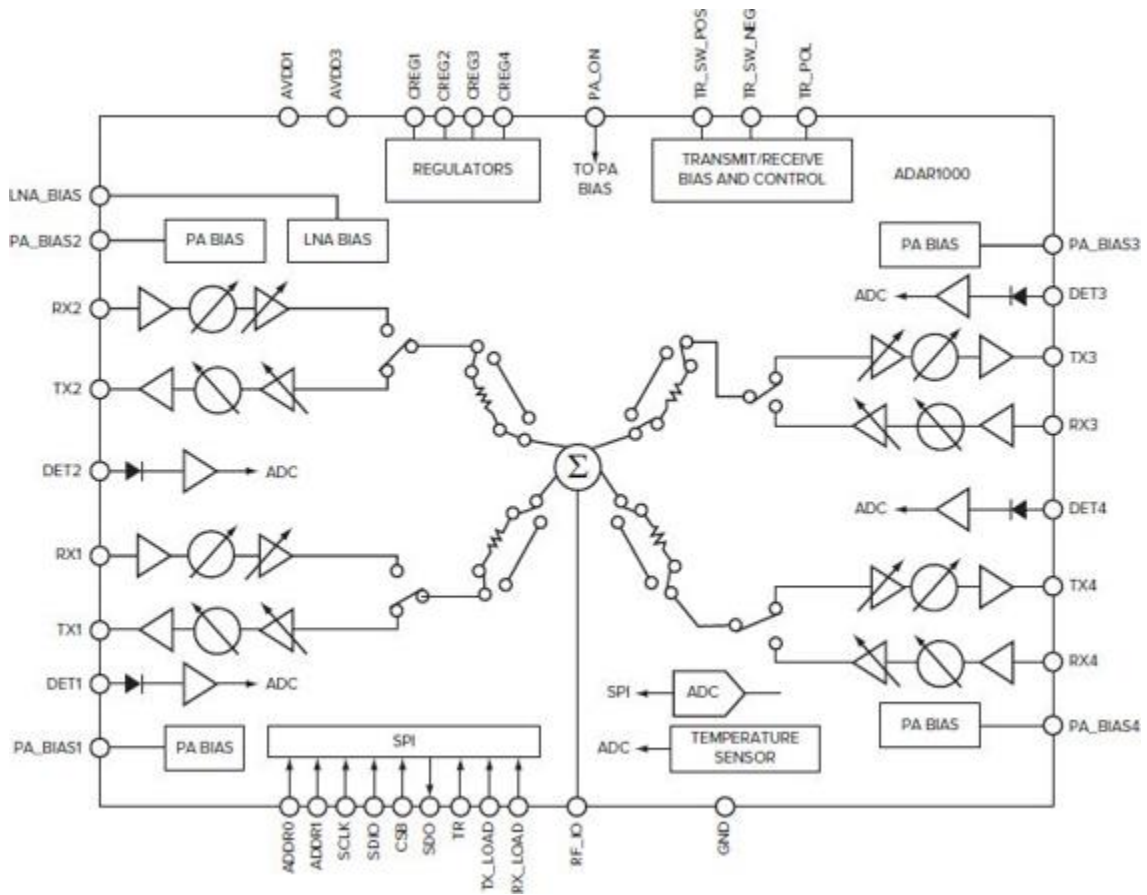
18-57 shows the arrangement for each antenna element. In the transmit mode the signal from the transceiver passes through the VGA and phase shifter to the PA and then through the transmit/receive (T/R) switch to the antenna. In the receive mode the signal from the antenna passes through the T/R switch to the low-noise amplifier and through the VGA and phase shifter to the receiver section of the transceiver.

Figure 18-57 Each antenna in the array has its own transceiver with phase and amplitude controls.



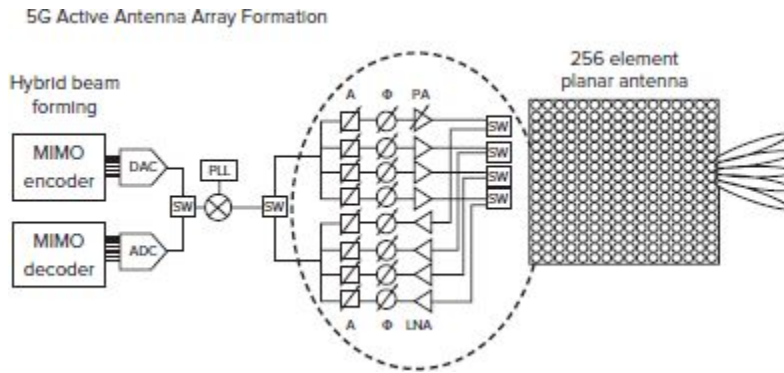
The circuits in Fig. 18-57 can be packaged together in a single chip. An example is the ADAR1000 from Analog Devices that contains four of these circuits (Fig. 18-58). This one chip can serve four antenna elements. The frequency range is 8 GHz to 16 GHz. The external digital control algorithms received via a Serial Peripheral Interface (SPI) manipulate the beams so they point in the desired direction with the needed beam width.

Figure 18-58 The Analog Devices ADAR1000 packages the transceivers and other circuits to operate four antennas in an array.



When operating in the millimeter wave bands, the entire antenna array with all the electronics can be integrated on a single chip. Fig. 18-59 shows a commercial 24- or 26-GHz phased array IC that uses a 16×16 matrix of 256 antennas. This is the Anokiwave AWMF-0139. The company offers a line of other models for different frequencies and with different array sizes and options.

Figure 18-59 A phased array IC with the 256-element antenna inside the IC.



An interesting and useful option with phased arrays is that you can partition the array into smaller independent antennas. For example, with a 256 array, you could divide the array into four 8×8 arrays that can be used separately as the application requires.

Because phased arrays have become so small at the higher frequencies, they are easier to adapt to applications that previously could not afford them physically or financially. These phased arrays provide major benefits that make the millimeter wave equipment practical. In 5G cellular applications, these antennas provide the gain to boost transmit power so that the signals can travel farther and/or better penetrate buildings. Further, the beam can be steered to zero in on the desired location while simultaneously producing nulls to eliminate interfering signals. Phased arrays have become a major part of most of the small cells that make up the 5G network. These 5G base stations are small, the size of a shoe box, and that makes them lighter and easier to mount and deploy.

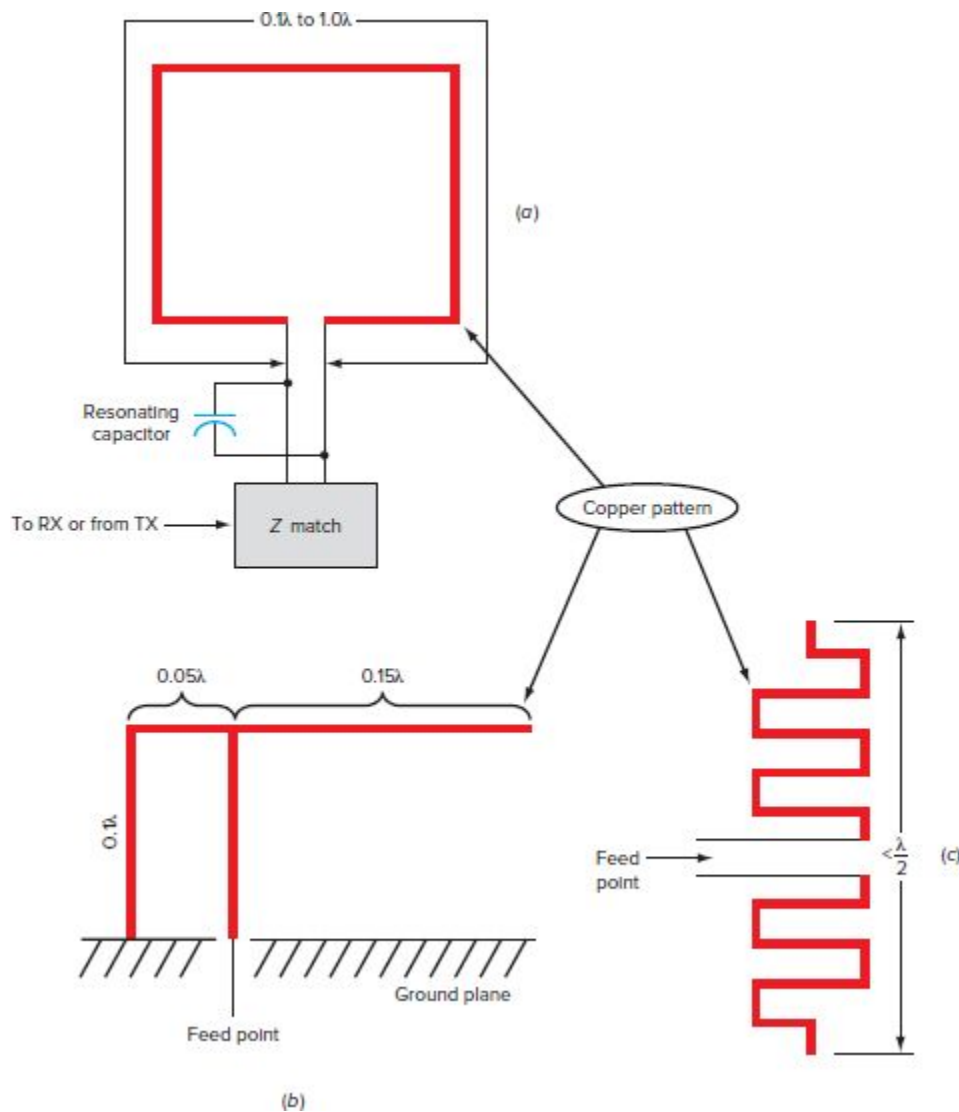
Most phased arrays are used in radar systems, but they are finding applications in cell phone systems, wireless LANs, and satellites.

Printed-Circuit Antennas

Because antennas are so small at microwave frequencies, they can be conveniently made right on a printed-circuit

board that also holds the transmitter and/or receiver ICs and related circuits. No separate antenna structure, feed line, or connectors are needed. The patch and slot antennas discussed previously are examples. But there are a few other types that are widely used. These are the loop, the inverted-F, and the meander line antennas shown in Fig. 18-60.

Figure 18-60 Popular PCB antennas. (a) Loop. (b) Inverted-F. (c) Meander line.



The Loop. A loop antenna is just as its name implies, a single closed loop that is usually rectangular but could be

round as well. See Fig. 18-60(a). The length of the loop is usually in the 0.1λ to λ at the operating frequency. The loop is usually resonated with a parallel capacitor. Because the characteristic impedance of the loop is very low, about $10\ \Omega$ at 0.5λ but as high as $120\ \Omega$ for λ , some form of microstrip transmission line is used to match the impedance to the receiver or transmitter. Loops are relatively inefficient but are effective in short-range applications such as garage door openers and remote keyless entry radios in cars and in pagers.

Inverted-F. This unique antenna is a variation of page 664 the ground plane as it is designed to work over a conducting ground plane. See Fig. 18-60(b). Note the lengths of the various segments. These are experimented with to get the desired performance as well as the impedance match to the transmission line. A desirable feature is that the radiation pattern is effectively omnidirectional.

Meander Line. The meander line in Fig. 18-60(c) is an attempt to shorten an antenna by bending the conductors back on themselves to save space. The design is essentially a half-wave dipole and performs as one. All sorts of variations have been created by using curved sections and cross patterns in addition to the bow tie design discussed earlier. The antennas in most cell phones are special variations of the antennas in Fig. 18-60. They are designed not only to fit into the small thin cases of a cell phone but also to have wide bandwidth or to be able to operate on multiple bands.

Dielectric Antennas. A dielectric antenna is one whose copper pattern elements are formed on some type of resonant dielectric material such as ceramic or some derivative thereof. The dielectric is designed to be resonant

to the frequency of operation and actually contributes to the radiation. Dielectric antennas often use the inverted-F, dipole, or meander line configurations. No ground plane is necessary for operation. Dielectric antennas are small and have a wide bandwidth. These antennas are often available as a component for mounting on a printed-circuit board.

Intelligent Antenna Technology

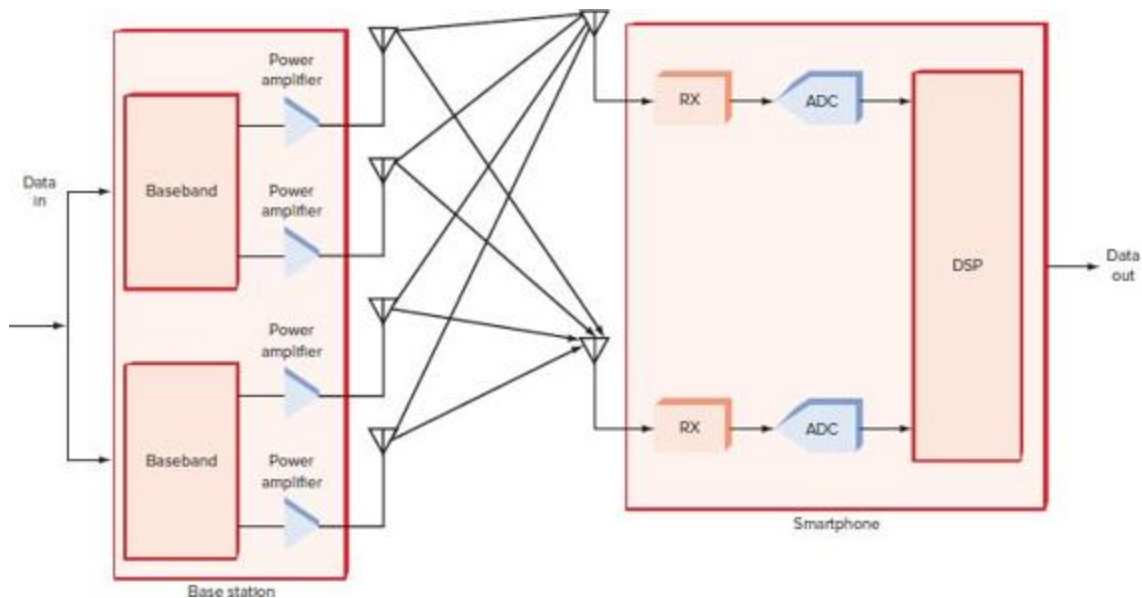
Intelligent antennas or smart antennas are antennas that work in conjunction with electronic decision-making circuits to modify antenna performance to fit changing situations. They adapt to the signals being received and the environment in which they transmit. Also called adaptive antennas, these new designs greatly improve transmission and reception in multipath environments and can also multiply the number of users of a wireless system. Some popular adaptive antennas today use diversity, multiple-input multiple-output, and automatic beam forming.

Diversity. Diversity was discussed in Chap. 16. It uses two or more antennas that receive the signal from different physical positions. In this way, they get different signals. The antenna with the strongest signal is selected, or the signals are combined to produce a stronger overall signal. More and more, microwave equipment is using diversity simply because of the degrading effects of multiple signal paths, reflections, diffractions, and other conditions that weaken the signal in complex environments. Some systems use three or four antennas with different modes of signal selection to optimize reception.

MIMO. *Multiple-input, multiple-output (MIMO)* takes page 665 the idea of diversity to a whole new level. It uses two or more antennas for receiving but also uses two or more antennas for transmission. One common arrangement

is shown in Fig. 18-61. The data to be transmitted is divided into four separate streams of bits that are transmitted simultaneously over the same channel. Because there are four separate data paths, the effect is to quadruple the actual data rate of transmission. For example, in one type of wireless LAN, the maximum data rate is 54 Mbps. With two data streams, the composite throughput is 108 Mbps. Four streams can provide up to 216 Mbps. The transmit antennas are physically separated by a wavelength or more, so that they truly generate different paths to the receiver. The modulation is usually some form of OFDM, and the data is transmitted in the same bandwidth.

Figure 18-61 An example of 4×2 MIMO.



The arrangement in Fig. 18-61 is designated 4×2 MIMO. The first number is the number of transmitters and the second number is the number of receivers. Common MIMO formats in wireless LANs and cell phone systems are 2×2 , 4×2 , 4×4 , and even 8×8 . A common arrangement is four transmitter signals from the base station and two antennas in the smartphone. It is difficult to get a

wavelength separation between the antennas in a handset so two is usually the maximum MIMO antennas.

At the receiving end, two or more antennas are page 666 used. The transmitted signals take different paths to the two receiver antennas shown in Fig. 18-61. The receiver antennas are separated by a wavelength or so, providing multiple paths for each of the transmitted signals. The signals experience multipath reflections and other anomalies along the way. The receiver antennas pick up everything. The outputs of the two receivers are then digitized with analog-to-digital converters (ADCs), and their outputs are combined in a DSP. Special algorithms programmed into the DSP manipulate and combine the signals in different ways to minimize the multipath effects and to create usable signals where none were available with just one transmitter and receiver.

MIMO provides an amazing increase in signal gain, data rate, and reliability. And despite the seemingly high cost and complexity of such a scheme, in reality the very small low-cost IC receivers and transmitters make this technique very simple and affordable from the hardware point of view. The real complexity and “magic” is in the DSP. MIMO makes a previously impossible wireless application work by providing multiple signals that can be combined and processed to produce a usable signal.

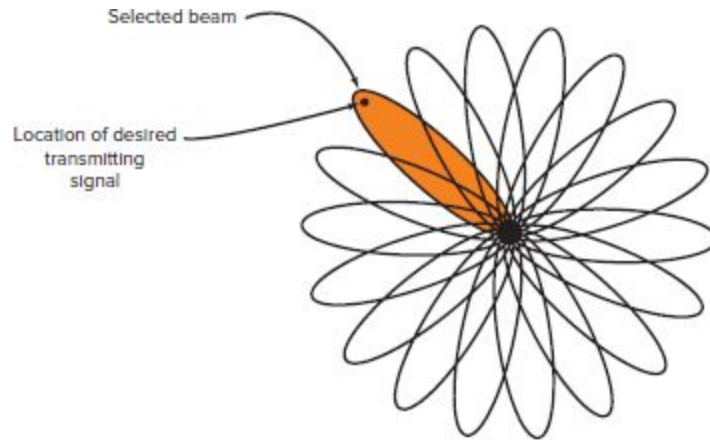
Adaptive Beam Forming

Adaptive antennas are systems that automatically adjust their characteristics to the environment. They use beam-forming and beam-pointing techniques to zero in on signals to be received and to ensure transmission under noisy conditions with interference from other sources.

Beam-forming antennas use multiple antennas such as the phase arrays discussed earlier. By using many antennas, the transmit/receive pattern can be adjusted as required by the situation. The beam may be narrowed or widened, and the direction of the beam may be electronically adjusted on the fly thanks to electronic controls. Such directional antennas can pinpoint a specific signal while tuning out interfering signals on the same frequency at nearby locations. Beam-forming antennas also have high gain, which helps boost the signal strength of a desired signal and improves the link reliability because noise and interference have been minimized.

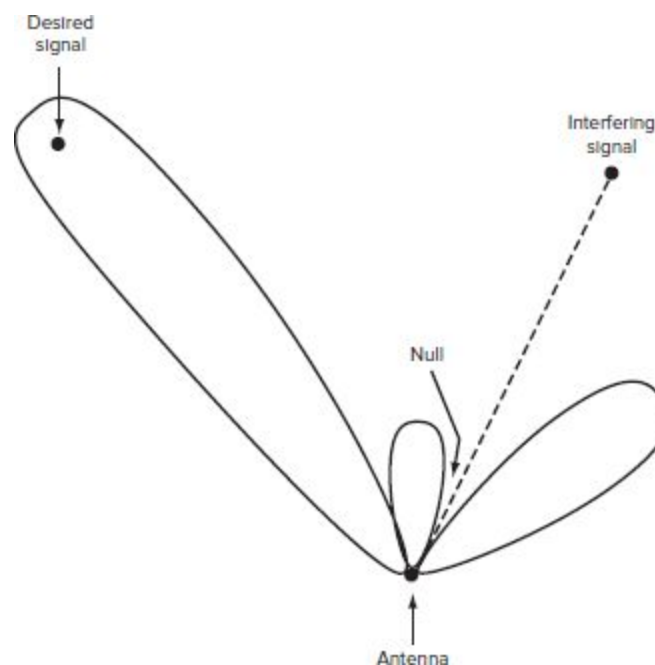
There are two kinds of adaptive antennas, page 667 switched beam arrays and adaptive arrays. The radiation pattern of a switched beam antenna looks something like that in Fig. 18-62. The antenna itself is usually multiple phased arrays. For example, there may be four phased arrays each capable of covering 90° to 100° of azimuth. Multiple beams are formed in that 90° range. The electronics controlling the arrays steers the beam by some predetermined algorithm. The most common arrangement is for the antenna to scan the entire 360° range in seeking a signal. As each beam is switched in, the signal strength is monitored. The beam with the strongest signal is then selected. Signals outside the beam will not be received at all, or at most only a small amount of signal will be present. Such antennas can provide a gain of 20 to 50 dB.

Figure 18-62 A switched beam intelligent antenna.



An adaptive antenna can also cover the entire 360° range but uses more sophisticated control algorithms. The adaptive array not only seeks out the strongest signal and adjusts the beam width to enhance it, but also recognizes interfering signals and adjusts the antenna to null out the interfering signal. See Fig. 18-63. Adaptive arrays track signals and then fine-tune themselves for best reception. All this takes place automatically at electronic speeds.

Figure 18-63 An adaptive array zeros in on the desired signal while mulling out interfering signals.



Both switched beam arrays and adaptive arrays page 668 are already being employed in some cell phone systems and in newer wireless LANs. Most of them are phased arrays. They are particularly beneficial to cell phone systems because they can actually boost the system capacity since they can reuse the same frequencies multiple times and allow the antenna to keep signals on the same frequency from interfering with one another. This concept is known as *spatial division multiplexing* or *spatial division multiple access (SDMA)*.

18-7 Microwave and Millimeter-Wave Applications

The communication applications in which microwaves are most widely used today are telephone communication, computer networking, cell phones, satellites, and radar. However, there are many other significant uses of microwave frequencies in communication. For example, TV stations use microwave relay links instead of coaxial cables to transmit TV signals over long distances, and cable TV networks use satellite communication to transmit programs from one location to another. Communication with satellites, deep-space probes, and other spacecraft is usually done by microwave transmission because microwave signals are not reflected or absorbed by the ionosphere, as are many lower-frequency signals. Electromagnetic radiation from the stars is also primarily in the microwave region; only sensitive radio receivers and large antennas operating in the microwave region are used to map outer space with far greater precision than could be achieved with optical telescopes. Finally, microwaves are also used for heating—in the kitchen (microwave ovens), in medical practice (diathermy machines used to heat muscles and tissues

without causing skin damage), and in industry for melting material and heat treating.

Fig. 18-64 summarizes the major applications of microwaves. The military uses microwave for multichannel communication with ranges from 1 km to 160 km for line-of-sight and troposcatter communications. The multiple channels can carry a variety of communication signals.

Figure 18-64 Major applications of microwave and millimeter-wave radio.

1. Radar
 - a. Aircraft and marine navigation
 - b. Military threat detection
 - c. Altimeters
 - d. Weather plotting
 - e. Traffic speed enforcement
 - f. Automotive collision avoidance and speed control
2. Satellite
 - a. Telephone communication
 - b. TV transmission (cable, short-range, direct broadcast)
 - c. Surveillance
 - d. Weather plotting
 - e. Navigation (GPS, etc.)
3. Wireless local-area and personal-area networks
 - a. IEEE 802.11b/g Wi-Fi, 2.4 GHz, rates of 11 to 54 Mbps
 - b. IEEE 802.11a Wi-Fi, 5 GHz, rate of 54 Mbps
 - c. 802.11n Wi-Fi, 2.4 GHz, rate to 600 Mbps
 - d. 802.11ac Wi-Fi, 5 GHz, 3 Gbps
 - e. 802.11ad WiGig, 60 GHz, 7 Gbps
 - f. 802.11ax Wi-Fi, 6.9 Gbps
 - g. Bluetooth 2.4 GHz, rate to 3 Mbps
 - h. Ultrawideband Rate to 1 Gbps
4. Wireless broadband access to the Internet
 - a. LTE
 - b. 5G NR
 - c. WiMAX
5. Cell phones (allocations in the 1.8-, 1.9-, 2.3–2.7, and 3.6 GHz ranges)
Some fifth-generation (5G) cell phones operate in the millimeter range (e.g., 28 or 38 GHz).
6. Backhaul 18–90 GHz, 500 Mbps-10 Gbps
7. Heating
 - a. Microwave ovens (domestic)
 - b. Microwave heating (industrial)
8. Radio telescopes

The rest of this chapter is devoted to a discussion of radar. Satellites are covered in detail in Chap. 19 Cell phones, wireless computer networks, and other special microwave applications are covered in Chaps. 21 and 22.

Radar

The electronic communication system known as *radar* (radio detection and ranging) is based on the principle that high-frequency RF signals are reflected by conductive targets. The usual targets are airplanes, missiles, ships, and automobiles. In a radar system, a signal is transmitted toward the target. The reflected signal is picked up by a receiver in the radar unit. The reflected or return radio signal is called an *echo*. The radar unit can then determine the distance to the target (range), its direction (azimuth), and in some cases its elevation (distance above the horizon).

Radar

The ability of radar to determine the distance between a remote object and the radar unit is dependent upon knowing the exact speed of radio signal transmission. In most radar applications, nautical miles are used instead of statute miles to express transmission speeds. One nautical mile is equal to 6076 ft. The speed of a radio signal is 162,000 nautical miles per second. (Sometimes, a special unit known as a radar mile is used. One radar mile is equal to 6000 ft.) It takes a radio signal $5.375 \mu\text{s}$ to travel 1 mi and $6.18 \mu\text{s}$ to travel 1 nautical mile.

A radar signal must travel twice the distance between the radar unit and the remote target. The signal is transmitted, a finite time passes before the signal reaches the target and is reflected, and the signal then travels an equal distance back to the source. If an object is exactly 1 nautical mile away, the signal takes $6.18 \mu\text{s}$ to reach the target and $6.18 \mu\text{s}$

to return. The total elapsed time from the instant of initial transmission to the reception of the echo is $12.36 \mu\text{s}$.

The distance to a remote target is calculated by page 669 using the expression

$$D = \frac{T}{12.36}$$

where D = distance between radar unit and remote object, nautical miles

T = total time between transmission and reception of signal, μs

In short-distance applications, the yard is the common unit of distance measurement. A radio signal travels $328 \text{ yd}/\mu\text{s}$, so the distance to an object in yards is computed as

$$D = \frac{328T}{2} = 164T$$

A measured time of $5.6 \mu\text{s}$ corresponds to a distance of $164(5.6) = 918.4 \text{ yd}$.

To obtain a strong reflection or echo from a distant object, the wavelength of the radar signal should be small compared to the size of the object being observed. If the wavelength of the radar signal is long with respect to the distant object, only a small amount of energy will be reflected. At higher frequencies, the wavelength is shorter and therefore the reflected energy is greater. For optimal reflection, the size of the target should be one-quarter wavelength or more at the transmitted frequency.

The shorter the wavelength of the signal page 670 compared to the observed object, the higher the resolution or definition of the remote object. In most cases, it is necessary only to detect the presence of a remote

object. But if very short wavelengths are used, in many cases the actual shape of an object can be clearly determined.

The term *cross section* is often used with reference to a radar target. If a target is at least 10 times larger than λ of the radar signal detecting it, the cross section is constant. The cross section of a target, a measure of the area of the target “illuminated” by the radar signal, is given in square meters. A target’s cross section is determined by the size of the object, the unique geometry of the target, the viewing angle, and the position.

Cross section

The larger the cross section, the greater the reflected signal power, the greater the distance of detection, and the higher the probability of the signal being greater than the noise. Another factor influencing the return signal strength is the material of the target. Metal returns the greatest signal; other materials can also reflect radar waves, but not as effectively. Some objects will absorb radar waves, making the reflected signal very small.

The F117, the U.S. Air Force’s stealth fighter, has a large physical cross section (about 1 m²), but it is designed to deflect and absorb any radar signal aimed at it. All the plane’s surfaces are at an angle such that radio signals striking them are not reflected directly back to the radar unit. Instead, they are reflected off at an angle, and little if any reflected energy is received. The surface of the aircraft is also coated with a material that absorbs radio waves. This combination gives the F117 an effective cross section the size of a small bird.

All the most important factors affecting the amount of received signal reflected from a target are summed up in what is called the *radar equation*:

$$P_r = \frac{P_t G \sigma A_e}{(4\pi)^2 R^4}$$

where P_r = received power

G = antenna gain (product of transmitting and receiving gains)

σ = cross section of target

A_e = effective area of receiving antenna (dish area)

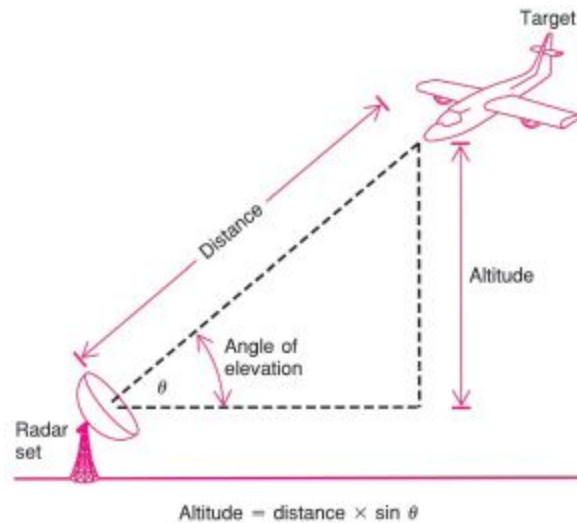
R = range or distance to target

Most of the relationships between the variables are obvious. However, given the fact that the received power is inversely proportional to the fourth power of the distance to the target, it is not surprising that radar range is generally so limited. Keep in mind that the radar equation does not take into account the S/N ratio. Very low-noise receiver front ends are essential for target acquisition.

Because radar uses microwave frequencies, line-of-sight communication results. In other words, radar cannot detect objects beyond the horizon. Objects do not have to be physically visible, but must be within line-of-sight radio distance in order for detection to occur.

The relationship between range, azimuth, and elevation can be expressed by a right triangle, as shown in Fig. 18-65. Assume that the radar is land-based and used to detect aircraft. The distance between the radar unit and the remote airplane is the hypotenuse of the right triangle. The angle of elevation is the angle between the hypotenuse and the baseline, which is a line tangent to the surface of the earth at the radar location. The altitude is defined by the angle of elevation. The greater the angle of elevation, the greater the altitude. Knowing the range and the angle of elevation allows the altitude to be computed by using standard trigonometric techniques.

Figure 18-65 The trigonometry of radar.



Another important factor in locating a distant object is knowledge of its direction with respect to the radar set. If the radar station is fixed and land-based, the direction (bearing or azimuth) of the remote object is usually given as a compass direction in degrees. Recall that true north is 0° or 360° , east is 90° , south is 180° , and west is 270° . If the radar unit is located in a moving vehicle, such as an airplane or a ship, the azimuth is given as a relative bearing with respect to the forward direction of the vehicle. Straight ahead is 0° or 360° , directly to the right is 90° , directly behind is 180° , and directly to the left is 270° .

GOOD TO KNOW

Although they do not have to be visible, objects must be within line-of-sight radio distance in order for radar detection to occur.

The ability of a radar unit to determine the page 671 direction of a remote object requires the use of a highly directional antenna. An antenna with an extremely narrow beam width will receive signals only over a narrow angle. The narrower the beam width of the antenna, the more precisely the actual bearing can be determined.

Since most radar systems operate in the microwave region, highly directional antennas are easily obtained. Horns with parabolic reflectors are the most common, and beam widths of less than 1° are readily attainable. These highly directional antennas are continuously rotated 360° . The same antenna is used for transmitting the original signal and receiving the reflected signal.

Example 18-5

A radar set detects the presence of an aircraft. The time between the radiated and received pulses is $9.2 \mu\text{s}$. The antenna is set to an angle of elevation of 20° . Determine (a) the line-of-sight distance to the aircraft in statute miles and (b) the altitude of the aircraft.

$$\text{a. } D \text{ (nautical miles)} = \frac{T}{12.36} = \frac{9.2}{12.36} = 0.744$$

$$1 \text{ statute mile} = 5280 \text{ ft}$$

$$1 \text{ nautical mile} = 6076 \text{ ft}$$

$$\frac{5280}{6076} = 0.87 \text{ statute mile/nautical mile}$$

$$D \text{ (statute miles)} = 0.744(0.87) = 0.647$$

$$\text{b. } A = D \sin \theta$$

where θ = angle of elevation

$$A = 0.647 \sin 20$$

$$= 0.647(0.342) = 0.22 \text{ mi}$$

$$= 0.22(5280 \text{ ft}) = 1161.6 \text{ ft}$$

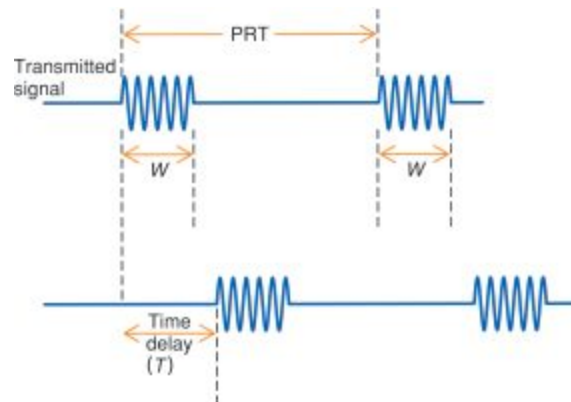
Circuits within the radar unit are calibrated so page 672 that the direction in which the antenna is pointing is accurately known. When the echo is received, it is compared to the calibrated values and the precise direction determined.

The ability of a radar unit to determine the altitude of a remote target depends on the vertical beam width of the radar antenna. The radar antenna may scan vertically while measuring the distance of the object during the scan. When the object is detected, the vertical elevation of the antenna is noted and the actual altitude is then computed.

Pulsed Radar. There are two basic types of radar systems: *pulsed* and continuous-wave (CW). There are also numerous variations of each. By far the most commonly used radar system is the pulsed type. Signals are transmitted in short bursts or pulses, as shown in Fig. 18-66. The duration or width W of the pulse is very short and, depending upon the application, can be anywhere from less than $1 \mu\text{s}$ to several microseconds. The time between transmitted pulses is known as the *pulse repetition time (PRT)*. If the PRT is known, the *pulse repetition frequency (PRF)* can be determined by using the formula

Pulsed radar

Figure 18-66 Pulsed radar signals.



$$\text{PRF} = \frac{1}{\text{PRT}}$$

For example, if the pulse repetition time is $150 \mu\text{s}$, the PRF is $1/150 \times 10^{-6} = 666.7 \text{ kHz}$.

The ratio of the pulse width to the PRT is known as the *duty cycle*. The duty cycle is normally expressed as a percentage:

$$\text{Duty cycle} = W \times \frac{100}{\text{PRT}}$$

For example, a pulse width of $7 \mu\text{s}$ with a PRT of $280 \mu\text{s}$ produces a duty cycle of $7 \times 100/280 = 2.5$ percent.

It is during the interval between the end of the transmitted pulse and the beginning of the next pulse in sequence in Fig. 18-66 that the echo is received.

The duration of the transmitted pulse and the PRT are extremely critical in determining the performance of a radar system. Very short-range radars have narrow pulses and short pulse repetition times. If the target is only a short distance away, the echo travel time will be relatively short. In short-range radars, the pulse width is made narrow to ensure that the pulse is terminated before the echo of the target is received. If the pulse is too long, the return signal may be masked or blanked by the transmitted pulse. Long-range radars typically have a longer pulse repetition time because it takes longer for the echo to return. This also permits a longer burst of energy to be transmitted, ensuring a stronger return.

If the PRT is too short relative to the distance of [page 673](#) the target, the echo may not return during the time interval between two successive pulses, but after the second transmitted pulse. This is known as a *double range* or *second return echo*. Naturally, such echoes lead to imprecise distance measurements.

Continuous-Wave Radar. In *continuous-wave (CW) radar*, a constant-amplitude continuous microwave sine wave is transmitted. The echo is also a constant-amplitude microwave sine wave of the same frequency, but of lower

amplitude and obviously shifted in phase. The question is, How is such a signal used to determine target characteristics?

Continuous-wave (CW) radar

The answer has to do with the object itself. In most cases, the target is moving with respect to the radar unit. The reflected signal from a moving airplane, ship, missile, or automobile undergoes a frequency change. It is this frequency change between the transmitted signal and the returned signal that is used to determine the speed of the target.

The frequency shift that occurs when there is relative motion between the transmitting station and a remote target is known as the *Doppler effect*. A familiar example of the Doppler effect is the fixed-frequency sound waves emitted by an automobile horn. If the horn sounds when the car is stationary, you will hear a single tone. However, if the car is moving toward you while the horn is on, you will experience a tone of continuously increasing frequency. As the car moves closer to you, the sound waves are compressed, creating the effect of a higher-frequency signal. If the car is moving away from you with its horn on, you will experience a continually decreasing frequency. As the car moves away, the sound waves are stretched out, creating the effect of a lower-frequency signal. This same effect works on both radio and light waves.

Doppler effect

In a Doppler system, the transmitter sends out a continuous-frequency signal. If the frequency difference between a transmitted signal and a reflected signal is known, the relative speed between the radar unit and the observed object can be determined by using the formula

$$V = \frac{f\lambda}{1.03}$$

where f = frequency difference between transmitted and reflected signals, Hz
 λ = wavelength of transmitted signal, m
 V = relative velocity between the two objects, nautical mi/h

Assume, e.g., a frequency shift of 1500 Hz at a frequency of 10 GHz. A frequency of 10 GHz represents a wavelength of $300/f$ (in MHz) = $300/10,000 = 0.03$ m. The speed is therefore $(1500)(0.03)/1.03 = 43.7$ nautical mi/h. There are 1.15 nautical miles per hour per standard miles per hour, so the speed is $43.7 \times 1.15 = 50.56$ mph.

This formula assumes that the moving object is moving directly toward or away from the transmitter. If there is an angular offset, the speed should be multiplied by the cosine of the angle between the direct path and the actual path.

In CW radar, it is the Doppler effect that provides frequency modulation of the reflected carrier. For there to be a frequency change, the observed object must be moving toward or away from the radar unit. If the observed object moves parallel to the radar unit, there is no relative motion between the two and no frequency modulation occurs.

The greatest value of CW radar is its ability to measure the speed of distant objects. Police radar units use CW Doppler radar for measuring the speed of cars and trucks.

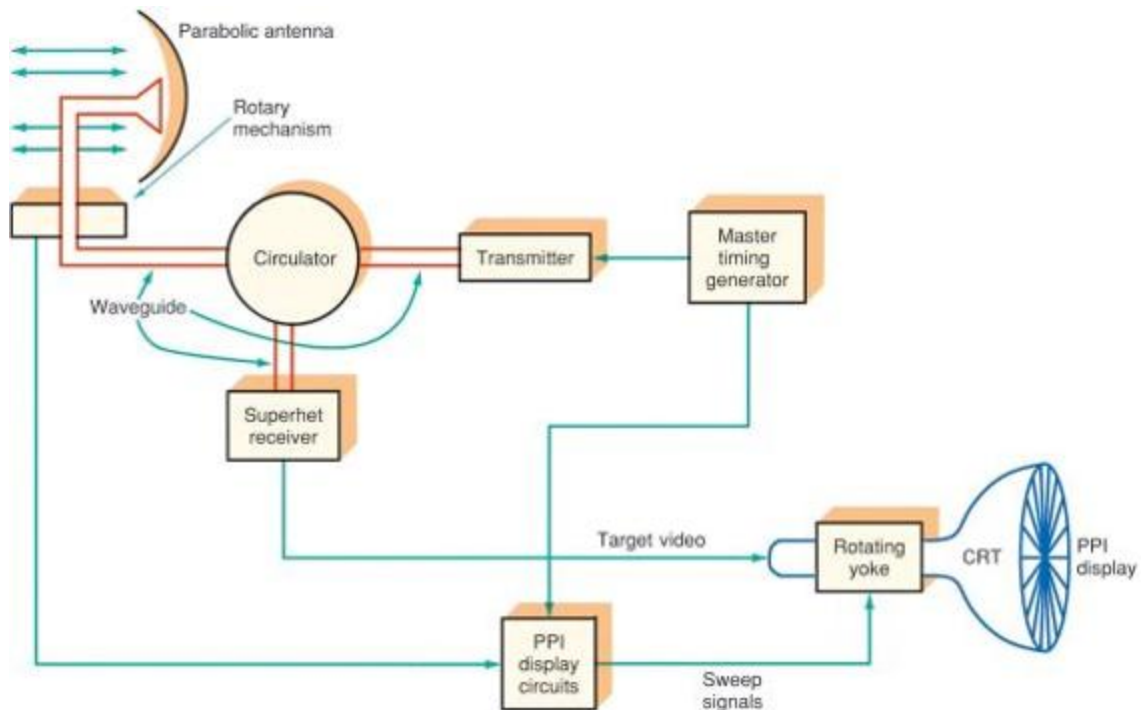
Some radar systems combine both pulse and Doppler techniques to improve performance and measurement capabilities. One such system evaluates successive echoes to determine phase shifts that indicate when a target is moving. Such radars are said to incorporate *moving target indication (MTI)*. Through a variety of special signal processing techniques, multiple moving targets can be distinguished not only from one another but from fixed targets as well.

Moving target indication (MTI)

Block Diagram Analysis. Fig. 18-67 is a block diagram of a typical pulsed radar unit. There are four basic subsystems:

the antenna, the transmitter, the receiver, and the display unit.

Figure 18-67 General block diagram of a pulsed radar system.



The transmitter in a pulsed radar system invariably uses a magnetron. Recall that a magnetron is a special high-power vacuum tube oscillator that operates in the microwave region. The cavity size of the magnetron sets the operating frequency. A master timing generator develops the basic pulses used for triggering the magnetron. The timing generator sets the pulse duration, the PRT, and the duty cycle. The pulses from the timing network trigger the magnetron into oscillation, and it emits short bursts of microwave energy. Magnetrons are capable of extremely high power, especially when operated on a pulse basis. Continuous average power may be low, but when pulsed, magnetrons can produce many megawatts of power for the short duration required by the application. This helps ensure a large reflection. Klystrons and TWTs are commonly used in

CW Doppler radars. Low-power radars such as those used by the police for speed detection use Gunn diodes.

In Fig. 18-67, you can see that the transmitter output is passed through a circulator and then applied to the antenna. The circulator is a type of duplexer that allows the transmitter and the receiver to share a single antenna and prevents the high-power transmitted signal from getting into the receiver and damaging it.

A radar duplexer is a waveguide assembly containing special devices that prevent interference between the transmitter and the receiver. The most commonly used device is a spark gap tube. Spark gap tubes are either *TR (transmit-receive)* or *anti-transmit-receive (ATR)* types. TR tubes prevent transmitter power from reaching the receiver. When RF energy from the transmitter is detected, the spark gap breaks down, creating a short circuit for the RF energy. ATR tubes effectively disconnect the transmitter from the circuit during the receive interval. The TR and ATR tubes, when combined with the appropriate one-quarter and one-half wavelength waveguides, provide effective isolation between transmitter and receiver. In low-power radars, PIN diodes or a standard circulator can be used for this purpose.

Transmit-receive (TR) tube

Anti-transmit-receive (ATR) tube

The antenna system is typically a horn with a parabolic reflector that produces a very narrow beam width. A special waveguide assembly with a rotating joint allows the waveguide and horn antenna to be rotated continuously over 360°.

The same antenna is also used for reception. page 675
During the pulse off time, the received signal passes through the antenna, the associated waveguide, and either the duplexer or the circulator to the receiver. The receiver is a standard high-gain superheterodyne type. The

signal is usually fed directly to a mixer in most systems, although some radars use an RF amplifier. The mixer is typically a single diode or diode bridge assembly. The local oscillator feeds a signal to the mixer at the appropriate frequency so that an IF is developed. Both klystrons and Gunn diodes are used in local-oscillator applications. The IF amplifiers provide very high gain prior to demodulation. Some radar receivers use double conversion.

The demodulator in a pulsed radar system is typically a diode detector, since only the pulses must be detected. In Doppler and other more complex radars, some form of frequency- and phase-sensitive demodulator is used. Phase-locked loops are common in this application. The output of the demodulator is fed to a video amplifier, which creates signals that are ultimately displayed.

The display in most radar systems is a CRT. Various display formats can be used. The most common type of CRT display is known as a *type P display* or *plan position indicator (PPI)*. PPI displays show both the range and the azimuth of a target. The center of the display is assumed to be the location of the radar unit. Concentric circles indicate the range. The azimuth or direction is indicated by the position of the reflected target on the screen with respect to the vertical radius line. The targets show up as lighted blips on the screen.

Type P display

Plan position indicator (PPI)

The PPI display is developed by a sophisticated scanning system tied into antenna rotation. As the antenna is rotated by a motor, an encoder mechanism sends signals to the PPI control circuits that designate the azimuth or direction of the antenna. At the same time, the horizontal and vertical deflection coils (the *yoke*) around the neck of the CRT rotate in synchronism with the antenna. The electron beam in the CRT is swept from the center of the screen out to the edge.

The sweep begins at the instant of pulse transmission and sweeps outward from the center. The beginning of each transmitted pulse begins another sweep of the electron beam. As the deflection yoke rotates, the beam moves in such a way that it appears that a radius from the center to the edge is continuously rotating. Target reflections appear as lighted blips on the screen. Calibrations on the screen in the form of graticule markings or superimposed electron beam patterns permit distance and azimuth values to be read directly.

Newer radars use a different system with an LCD or other flat-panel display to show the equivalent of the CRT PPI presentation.

Some PPI radars scan only a narrow range of azimuth rather than the entire 360° . Airplanes with radars in the nose, e.g., only scan a 90° to 180° range forward.

An important high-tech type of radar known as *phased array radar* provides greater flexibility in scanning narrow sectors and tracking multiple targets. Instead of a single horn and parabolic reflector, multiple dipoles or patch antennas are used. Slots in a waveguide are also used. A half-wave dipole at microwave frequencies is very short. Therefore, many can be mounted together in a matrix or array. The result is a special collinear array above a reflecting surface with very high gain. By using a system of separate feed lines and a variable phase shifter and attenuator for each antenna, the beam width and directivity can be controlled electronically. This permits rapid scanning and on-the-fly adjustment of directivity. Phase array radars eliminate the mechanical systems needed for conventional radars.

Phased array radar

Radar Applications. One of the most important uses of radar is in weapons defense systems and in safety and

navigation systems. Search radars are used to locate enemy missiles, planes, and ships. Tracking radars are used on missiles and planes to locate and zero in on targets. Radars are widely used on planes and ships for navigating blind in fog or bad weather. Radars help ground controllers locate and identify nearby planes. Special radars assist planes in landing in bad weather when visibility is near zero.

GOOD TO KNOW

Police radar units use continuous-wave Doppler radar for measuring the speed of vehicles. Perhaps the most significant benefit of continuous-wave radar is its ability to measure the speed of distant objects.

Radars are also used as altimeters to measure height. High-frequency radars can actually be used to plot or map the terrain in an area. Special terrain-following radars allow high-speed jets to fly very close to the ground to avoid detection by enemy radar. Aircraft collision avoidance systems also use radar.

In civilian applications, radars are used on boats of all sizes for navigation in bad weather. The police use radar to catch speeders. Small handheld Doppler radar units can also be used in sporting events—to time race cars or determine the speed of a pitched baseball or tennis serve. Most of the newer upper-scale cars have built-in radars that detect the distance between the vehicle ahead and automatically adjust the speed to maintain a safe distance. These short-range radars operate in the 24- to 81-GHz bands. Finally, ground- and satellite-based radars are widely used to track clouds, storms, and other phenomena for the purpose of weather forecasting.

Single-Chip Radar

Semiconductor technology is now capable of integrating huge systems on a chip (SoC) with circuits operating at mmWave frequencies. Probably the best example of this is the single-chip radar. An entire radar system is packaged in one CMOS IC. These operate at 24 GHz, 60 GHz, and 76 to 81 GHz. Early versions used the 24-GHz chips as liquid level detectors in tanks. The main application today is automotive systems. Automotive manufacturers have discovered the benefits of radar and over the past several years have equipped most vehicles with some sort of radar accessory. Both long-range and short-range versions are available for different uses. Most of these radars are part of the advanced driver assistance systems (ADAS) that are now mostly included as standard equipment or as an option.

Some short-range automotive applications are blind spot detection, lane change assistance, cross-traffic alert, parking assistance, and other nearby object detection. Long-range applications include adaptive cruise control, automatic emergency braking, and eventually automated highway driving.

Fig. 18-68 shows how the radar chips work. This explains the IC made by Texas Instruments. The TI radar ICs operate in the 77- to 81-GHz range and use a frequency-modulated continuous-wave (FMCW) waveform. The radar transmits that FMCW signal, called a chirp, that is a short burst of a sine wave continually increasing in frequency from 77 GHz to 81 GHz. The transmitted chirp is reflected back to the radar from remote objects and mixed with the original chirp. The time difference between the two signals provides enough information to calculate distance to the object and its speed. The angle of arrival can also be determined.

Figure 18-68 How the radar chip works.

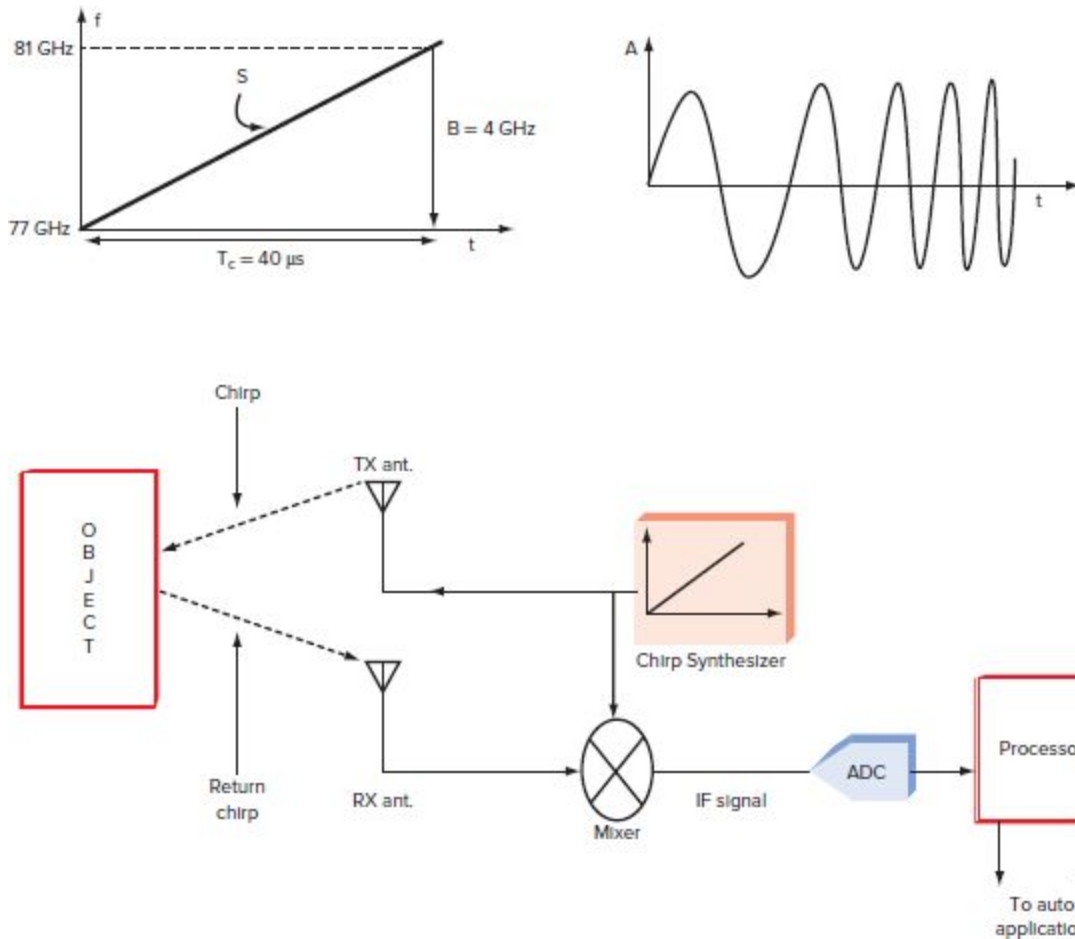
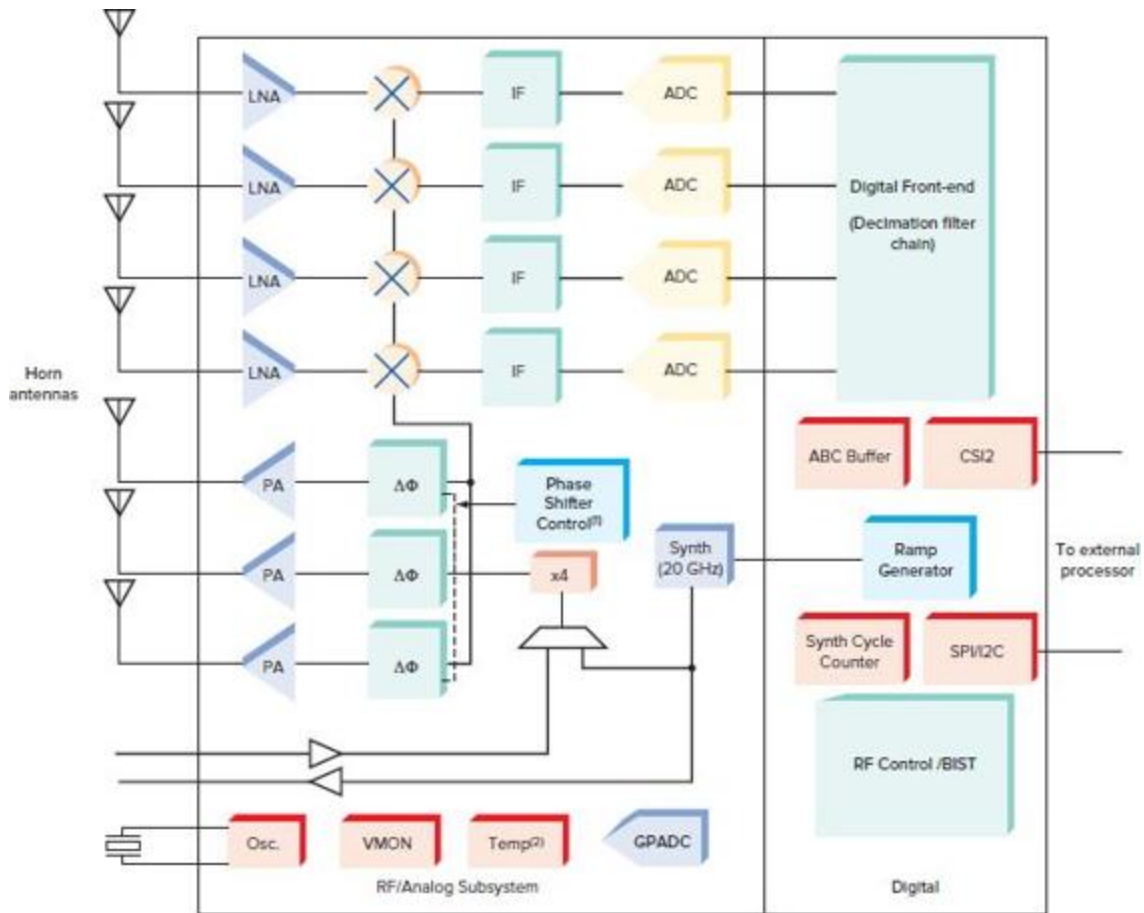


Fig. 18-69 shows the internal circuitry of a typical page 677 device. Three transmitters and four receivers collect a huge amount of reflective data, which gets sent to an external microcontroller where it is processed into a form usable in the intended application. Some devices have this processor on the same chip. The antennas used are horns that are very small at the frequencies used.

Figure 18-69 The Texas Instruments AWR2243 single-chip radar.



Texas Instruments promotes these ICs as sensors. The monster vacuum tube radars that detected ships and planes in World War II have morphed into 10 mm × 10 mm integrated circuits.

CHAPTER REVIEW

Online Activity

18-1 Exploring Millimeter Waves

Objective: To learn more about mmWaves and applications.

Procedure:

1. Using standard Internet search techniques, search on the terms mmWaves or millimeter waves and similar terms.
2. Answer the questions below.

Questions:

1. Name four companies that make mmWave transistors and/or integrated circuits.
2. Name three primary applications for mmWaves.
3. Explain the primary limitations of using mmWaves. How are these limitations overcome?

18-2 Microwave Magazines

Objective: Become familiar with available microwave-related publications.

Procedure:

1. Search for the websites of the following magazines: *Microwaves & RF*, *Microwave Journal*, and *Microwave Product Digest*.
2. Browse the current issues of the magazines.
3. Become familiar with the websites.
4. Register or subscribe to each magazine. Be sure to use the title “engineer” or a related title, and indicate your interest in the various products.
5. Answer the questions below.

Questions:

1. Are print versions of the magazine available?
2. What is the subscription cost of each?
3. Did you find any other microwave-related magazines or websites? If you did, name them.

Questions

- 1.** What is the microwave frequency range?
- 2.** What is the primary advantage of using microwave frequencies? What is the main disadvantage?
- 3.** List seven reasons why microwaves are more difficult to work with than lower-frequency signals.
- 4.** What is the designation of the lowest-frequency microwave band?
- 5.** What is the name for microwaves above 30 GHz?
- 6.** Name four techniques that have helped squeeze more signals into a given spectrum space.
- 7.** What architecture is used for modern microwave and millimeter-wave transmitters and receivers?
- 8.** Name two common methods for generating a microwave signal with conventional lower-frequency (VHF and UHF) components.
- 9.** Name the parts of a microwave receiver and a microwave transmitter that require special microwave components.
- 10.** Name the two types of transmission lines made of PCB material used to produce circuits and components in the microwave region. Which is the more commonly used and why?
- 11.** List three common circuits or functions performed by microstrip in microwave equipment.
- 12.** What is the name of the microstrip device that has four ports and allows multiple circuits and devices to be interconnected without interfering with one another?
- 13.** How are microwave transistors different from lower-frequency transistors?
- 14.** What four semiconductor materials are used instead of silicon to make transistors and ICs perform satisfactorily in the microwave region?

- 15.** How are microstrip lines used in microwave amplifiers?
- 16.** Up to what frequency are microwave transistors and ICs available?
- 17.** How are microwave linear amplifiers biased and why?
- 18.** What is the main disadvantage of using coaxial cable at microwave frequencies?
- 19.** Coaxial cable is not used beyond a certain frequency. What is that frequency?
- 20.** Name the special coaxial cable made for microwave applications. What is its main disadvantage?
- 21.** Name the two ways to couple or extract energy from a waveguide.
- 22.** A waveguide acts as what kind of filter?
- 23.** True or false? A waveguide with a cutoff frequency of 6.35 GHz will pass a signal of 7.5 GHz.
- 24.** The magnetic and electric fields in a waveguide are designated by what letters?
- 25.** State the basic operating mode of most waveguides. page 679
- 26.** What do you call the coupling mechanism used to attach two sections of a waveguide?
- 27.** Name the two types of T sections of a waveguide and briefly tell how each is used.
- 28.** Explain how a hybrid T works and give a common application.
- 29.** What devices are used to terminate a waveguide? Why is termination necessary?
- 30.** State the main purpose of a directional coupler.
- 31.** What useful device is created by a one-half wavelength section of waveguide shorted at both ends?
- 32.** A cavity resonator acts as what type of circuit?
- 33.** How are resonant cavities used in microwave circuits?
- 34.** What characteristic of a cavity can be adjusted by mechanically varying the cavity's dimensions?

- 35.** What is a circulator?
- 36.** What is an isolator?
- 37.** What prevents ordinary silicon diodes from working at microwave frequencies?
- 38.** What are two names for a microwave diode with an N-type silicon cathode and a metal anode forming a junction?
- 39.** Name the most common application of microwave signal diodes.
- 40.** Name two types of diodes widely used as frequency multipliers in the microwave region. Do such multiplier circuits amplify?
- 41.** Name two other diodes used as microwave diode oscillators.
- 42.** Name two ways that a PIN diode is used at microwave frequencies.
- 43.** Does an IMPATT diode operate with forward or reverse bias?
- 44.** True or false? Klystrons can be used as amplifiers or oscillators.
- 45.** True or false? A magnetron operates as an amplifier.
- 46.** True or false? A TWT is an amplifier.
- 47.** The cavities in a klystron produce what kind of modulation of the electron beam?
- 48.** State at which points in a klystron amplifier the input is applied and the output is taken from.
- 49.** Low-power klystrons are being replaced by what semiconductor device? High-power klystrons are being replaced by what other device?
- 50.** What component of a magnetron causes the electrons to travel in circular paths?
- 51.** State two major applications of magnetrons.
- 52.** What is the main application of a TWT?
- 53.** How is density modulation of the electron beam in a TWT achieved?
- 54.** What is the main benefit of a TWT over a klystron?

- 55.** What is the most commonly used microwave antenna?
- 56.** How does increasing the length of a horn affect its gain and beam width?
- 57.** What is the typical beam width range of horn?
- 58.** Describe the bandwidth of horns.
- 59.** State the geometric shape of a commonly used microwave antenna reflector.
- 60.** For a dish reflector to work, how must the antenna be positioned?
- 61.** What type of antenna is most commonly used with a dish reflector?
- 62.** What do you call the feed arrangement of a dish with a horn at its center and a small reflector at the focal point? What is its purpose?
- 63.** Name two benefits of a helical antenna.
- 64.** What is the gain range of a helical antenna?
- 65.** What is the typical beam width range of a helical antenna?
- 66.** What is the type of polarization radiated by a helical antenna?
- 67.** What does RHCP mean? LHCP?
- 68.** True or false? A helical antenna can receive either vertically or horizontally polarized signals.
- 69.** True or false? An RHCP antenna can receive a signal from an LHCP antenna.
- 70.** Name a popular omnidirectional microwave antenna.
- 71.** What is the typical length of a slot antenna?
- 72.** Where are slot antennas most often used?
- 73.** How is a slot antenna driven?
- 74.** What basic function is performed by a lens antenna?
- 75.** What is the name given to antennas made with microstrip?
- 76.** Name the two common shapes of microstrip antennas.
- 77.** Name two ways that microstrip antennas are fed.
- 78.** What is the name of the antenna made of multiple patch dipoles? Where is it used?

- 79.** Name three popular PCB antennas other than the patch. Where are they used?
- 80.** Define MIMO. Where is it used?
- 81.** Name the two types of intelligent antennas. Where are they used?
- 82.** List two benefits of beam switched and beam-forming antennas.
- 83.** Explain how spatial division multiple access can increase the subscriber capacity of a cell phone system.
- 84.** List four popular uses for microwaves in communication.
- 85.** Knowing the speed of radio signals allows radar to determine what characteristic of a target?
- 86.** What characteristic of a radar antenna determines the azimuth of a target?
- 87.** What characteristic of a target determines the amount of reflected signal?
- 88.** Radars operate in what microwave bands?
- 89.** True or false? Both transmitter and receiver in a radar share the same antenna.
- 90.** Name the two main types of radar.
- 91.** What is the name given to a frequency shift of sound, radio, or light waves that occurs as the result of the relative motion between objects?
- 92.** True or false? Distance can be measured with CW radar.
- 93.** What is the key component in a radar transmitter?
- 94.** What are TR and ATR tubes? Why are they used?
- 95.** What is the output display in most older radar page 680 sets?
- 96.** Name three major military and four civilian uses of radar.
- 97.** Name the two main characteristics that are varied to control the signal in a phased array.

- 98.** What is the size of a half-wave patch or dipole antenna in a 39-GHz phased array?
- 99.** Phased arrays can be used in MIMO. True or false?

Problems

- 1.** A cellphone band occupies a total bandwidth of 200 MHz. What is the bandwidth percentage at 900 MHz? What is the bandwidth percentage at 20 GHz? ◆
- 2.** A one-quarter wavelength piece of $75\text{-}\Omega$ microstrip line has a capacitive load of $X_c = 22\text{ }\Omega$. What impedance does a driving generator see?
- 3.** What is the length of a one-quarter wavelength microstrip at 2.2 GHz? (The dielectric constant of the PCB is 4.5.) ◆
- 4.** A rectangular waveguide has a width of 1.4 in and a height of 0.8 in. What is the cutoff frequency of the waveguide?
- 5.** A 20-dB directional coupler is installed in a waveguide carrying a 5-W 6-GHz signal. What is the output of the coupler? ◆
- 6.** What is the length of a dipole at 2.4 GHz?
- 7.** A horn antenna is 5λ long at 7 GHz. What is that length in inches? ◆
- 8.** A horn aperture is 6 cm wide and 4 cm high. The operating frequency is 18 GHz. Compute the beam angle and the gain. Assume $K = 0.5$.
- 9.** A parabolic reflector antenna has a diameter of 6 m. The frequency of operation is 20 GHz. What are the gain and beam width? ◆
- 10.** What is the approximate lowest frequency of operation of a dish with a diameter of 18 in?
- 11.** State the speed of a radar signal in microseconds per nautical mile.
- 12.** Convert 22 standard statute miles to nautical miles.

- 13.** The elapsed time between radiating a radar signal and receiving its echo is $23.9 \mu\text{s}$. What is the target distance in nautical miles?
- 14.** How many microseconds is the time period between the transmitted signal and receipt of an echo from a target 1800 yd away?
- 15.** For optimum reflection from a target, what should the size of the target be, in wavelengths of the radar signal?
- 16.** A CW radar operates at a frequency of 9 GHz. A frequency shift of 35 kHz is produced by a moving target. What is its speed?

◆ *Answers to Selected Problems follow Chap. 23.*

Critical Thinking

- 1.** If microwave power transistors are limited to, say, an upper power limit of 100 W each, explain how you could build a microwave power amplifier with a power rating of 1 kW.
- 2.** A NASA deep-space probe operates on 8.4 GHz. Its location is past Mars, heading into outer space. Explain in detail how you would go about maintaining and/or improving signal strength at the main receiver in California.
- 3.** What is the one main factor limiting the range of microwave and millimeter-wave signals?
- 4.** What semiconductor technology originally developed for computer and digital applications is now widely used to make microwave radio circuits?
- 5.** Can coaxial cable be used at microwave and mmWave frequencies? Explain the limitations and potential of substituting coax cable for waveguides.

Satellite Communication

A *satellite* is a physical object that *orbits*, or rotates about, some celestial body like the earth. A balance between the inertia of the rotating satellite at high speed and the gravitational pull of the orbited body keeps the satellite in place.

Satellite

Orbit

Satellites are launched and orbited for a variety of purposes. The most common application is communication in which the satellite is used as a repeater. In this chapter, we introduce satellite concepts and discuss how satellites are identified and explained. We summarize the operation of a satellite ground station and review typical satellite applications, including the Global Positioning System, which is a worldwide satellite-based navigational system, and satellite radio and TV systems.

Objectives

After completing this chapter, you will be able to:

- Define the terms *prograde*, *retrograde*, *geocenter*, *apogee*, *perigee*, *ascending*, *descending*, *period*, *angle of inclination*, *geosynchronous*, *latitude*, *longitude*, and *meridian*.

- State the operative physical principles of launching a satellite and maintaining its orbit.
- Draw a block diagram of the communication system in a communication satellite, give its name, and explain how it works.
- List the six main subsystems of a satellite.
- Draw a block diagram of a satellite ground station, identifying the five main subsystems and explaining the operation of each.
- Name three common applications for satellites and state which is the most common.
- Explain the concept and operation of the Global Positioning System. Draw a block diagram of a GPS receiver and explain the function of each component.
- Explain the operation of the U.S. satellite radio and TV systems.

19-1 Satellite Orbits

The ability to launch a satellite and keep it in orbit depends upon following well-known physical and mathematical laws that are referred to collectively as *orbital dynamics*. In this section, we introduce these principles before discussing the physical components of a satellite and how it is used in various communication applications.

Principles of Satellite Orbits and Positioning

If a satellite were launched vertically from the earth and then released, it would fall back to the earth because of gravity. For the satellite to go into orbit around the earth, it

must have some forward motion. For that reason, when the satellite is launched, it is given both vertical and forward motion. The forward motion produces inertia, which tends to keep the satellite moving in a straight line. However, gravity tends to pull the satellite toward the earth. The inertia of the satellite is equalized by the earth's gravitational pull. The satellite constantly changes its direction from a straight line to a curved line to rotate about the earth.

If a satellite's velocity is too high, the satellite will overcome the earth's pull and go out into space. It takes an escape velocity of approximately 25,000 mi/h to cause a spacecraft to break the gravitational pull of the earth. At lower speeds, gravity constantly pulls the satellite toward the earth. The goal is to give the satellite acceleration and speed that will exactly balance the gravitational pull.

The closer the satellite is to the earth, the stronger the effect of the earth's gravitational pull. So in low orbits, the satellite must travel faster to avoid falling back to the earth. The lowest practical earth orbit is approximately 100 mi. At this height, the satellite's speed must be about 17,500 mi/h to keep the satellite in orbit. At this speed, the satellite orbits the earth in approximately 1½ h. Communication satellites are usually much farther from the earth. A typical distance is 22,300 mi. A satellite need travel only about 6800 mi/h to stay in orbit at that distance. At this speed, the satellite rotates about the earth in approximately 24 h, the earth's own rotational time.

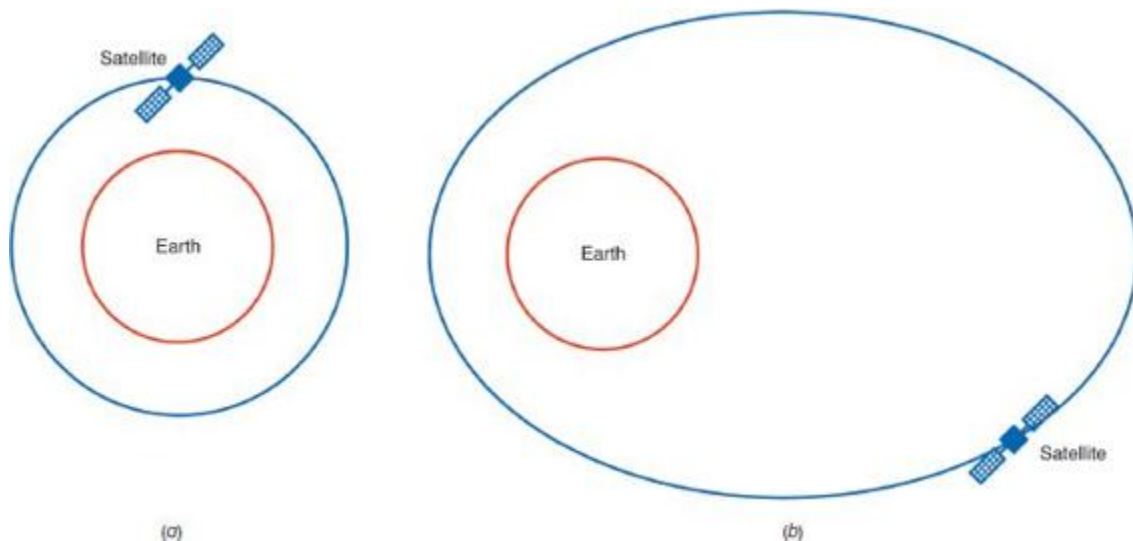
GOOD TO KNOW

Communication satellites typically orbit the earth at a distance of about 22,300 mi at a speed of about 6800 mi/h.

There is more to a satellite orbit than just the velocity and gravitational pull. The satellite is also affected by the gravitational pull of the moon and the sun.

A satellite rotates about the earth in either a page 683 circular or an elliptical path, as shown in Fig. 19-1. Circles and ellipses are geometric figures that can be accurately described mathematically. Because the orbit is either circular or elliptical, it is possible to calculate the position of a satellite at any given time.

Figure 19-1 Satellite orbits. (a) Circular orbit. (b) Elliptical orbit.



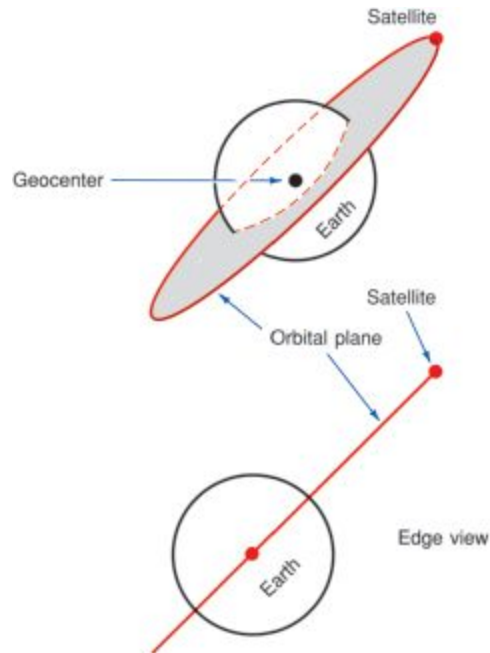
A satellite rotates in an orbit that forms a plane passing through the center of gravity of the earth called the *geocenter* (Fig. 19-2). In addition, the direction of satellite rotation may be either in the same direction as the earth's rotation or against the direction of earth's rotation. In the former case, the orbit is said to be *posigrade*, and in the latter case, *retrograde*. Most orbits are posigrade. In a circular orbit, the speed of rotation is constant. However, in an elliptical orbit, the speed changes depending upon the height of the satellite above the earth. Naturally the speed of the satellite is greater when it is close to the earth than when it is far away.

Geocenter

Posigrade orbit

Retrograde orbit

Figure 19-2 The orbital plane passes through the geocenter.

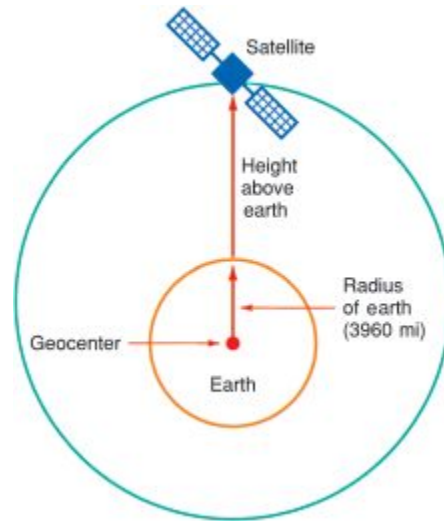


GOOD TO KNOW

Before being launched into space, satellites undergo testing for vibration, center of gravity, vacuum, and thermal shock.

Satellite Height. In a circular orbit, the height is simply the distance of the satellite from the earth. However, in geometric calculations, the height is really the distance between the center of the earth and the satellite. In other words, that distance includes the radius of the earth, which is generally considered to be about 3960 mi (or 6373 km). A satellite that is 5000 mi above the earth in circular orbit is $3960 + 5000$, or 8960, mi from the center of the earth (see Fig. 19-3).

Figure 19-3 Satellite height.

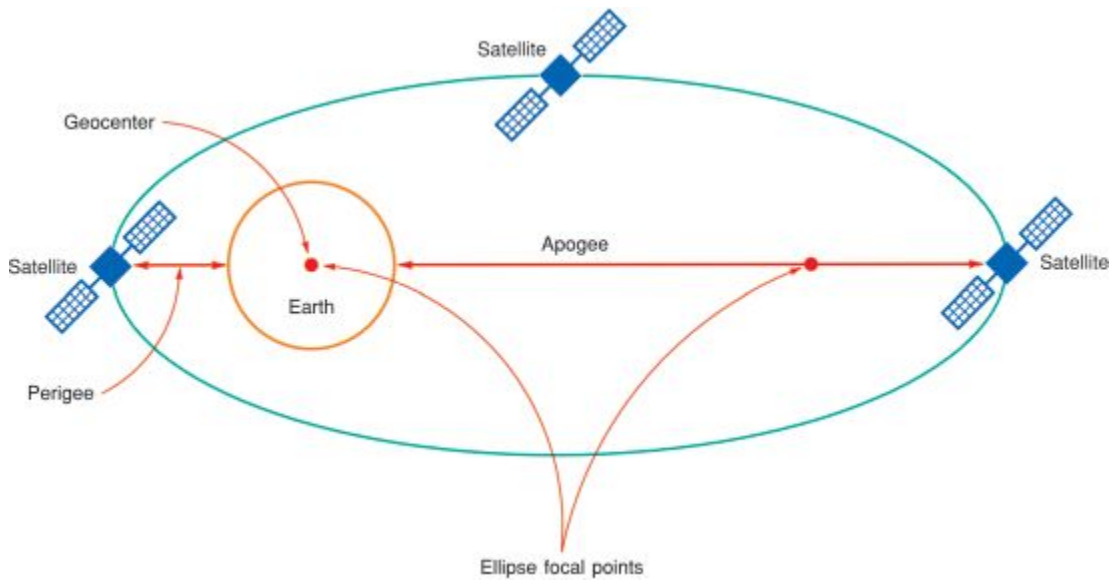


When the satellite is in an elliptical orbit, the page 684 center of the earth is one of the focal points of the ellipse (refer to Fig. 19-4). In this case, the distance of the satellite from the earth varies according to its position. Typically the two points of greatest interest are the highest point above the earth—the *apogee*—and the lowest point—the *perigee*. The apogee and perigee distances typically are measured from the geocenter of the earth.

Apogee

Perigee

Figure 19-4 Elliptical orbit showing apogee and perigee.



Satellite Speed. As indicated earlier, the speed varies according to the distance of the satellite from the earth. For a circular orbit the speed is constant, but for an elliptical orbit the speed varies according to the height. Low earth satellites of about 100 mi in height have a speed in the neighborhood of 17,500 mi/h. Very high satellites such as communication satellites, which are approximately 22,300 mi out, rotate much more slowly, a typical speed of such a satellite being in the neighborhood of 6800 mi/h.

Satellite Period. The *period* is the time it takes for a satellite to complete one orbit. It is also called the *sidereal period*. A sidereal orbit uses some external fixed or apparently motionless object such as the sun or star for reference in determining a sidereal period. The reason for using a fixed reference point is that while the satellite is rotating about the earth, the earth itself is rotating.

Satellite period

Sidereal period

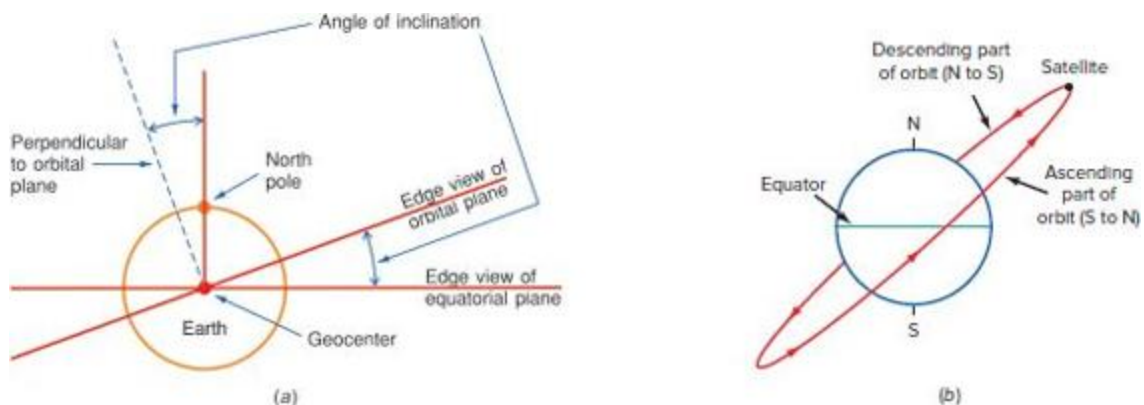
Another method of expressing the time for one orbit is the revolution or synodic period. One *revolution* (1 r) is the period of time that elapses between the successive passes

of the satellite over a given meridian of earth longitude. Naturally, the synodic and sidereal periods differ from each other because of the earth's rotation. The amount of time difference is determined by the height of the orbit, the angle of the plane of the orbit, and whether the satellite is in a posigrade or retrograde orbit. Period is generally expressed in hours. Typical rotational periods range from about 1½ h for a 100-mi height to 24 h for a 22,300-mi height.

Angle of Inclination. The *angle of inclination* of a satellite orbit is the angle formed between the line that passes through the center of the earth and the north pole and a line that passes through the center of the earth but that is also perpendicular to the orbital plane. This angle is illustrated in Fig. 19-5(a). Satellite orbits can have inclination angles of 0° through 90°.

Angle of inclination

Figure 19-5 (a) Angle of inclination. (b) Ascending and descending orbits.



Another definition of *inclination* is the angle between the equatorial plane and the satellite orbital plane as the satellite enters the northern hemisphere. This definition may be a little bit easier to understand, but it means the same thing as the previous definition.

When the angle of inclination is 0° , the satellite is page 685 directly above the equator. When the angle of inclination is 90° , the satellite passes over both the north and south poles once for each orbit. Orbits with 0° inclination are generally called *equatorial orbits*, and orbits with inclinations of 90° are referred to as *polar orbits*.

Equatorial orbit

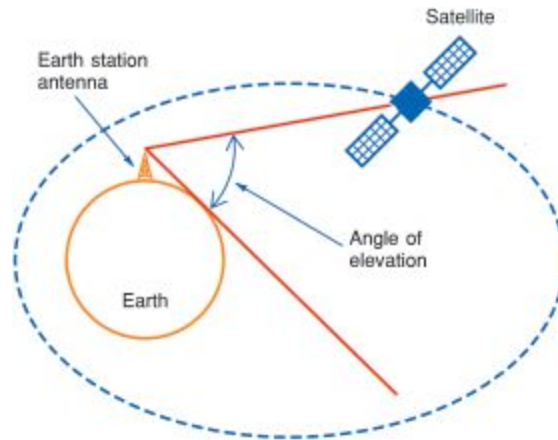
Polar orbit

When the satellite has an angle of inclination, the orbit is said to be either *ascending* or *descending*. As the satellite moves from south to north and crosses the equator, the orbit is ascending. When the satellite goes from north to south across the equator, the orbit is descending [see Fig. 19-5(b)].

Angle of Elevation. The *angle of elevation* of a satellite is the angle that appears between the line from the earth station's antenna to the satellite and the line between the earth station's antenna and the earth's horizon (see Fig. 19-6). If the angle of elevation is too small, the signals between the earth station and the satellite have to pass through much more of the earth's atmosphere. Because of the very low powers used and the high absorption of the earth's atmosphere, it is desirable to minimize the amount of time that the signals spend in the atmosphere. Noise in the atmosphere also contributes to poor performance. The lower the angle of radiation, the more time that this signal spends in the atmosphere. The minimum practical angle of elevation for good satellite performance is generally 5° . The higher the angle of elevation, the better.

Angle of elevation

Figure 19-6 Angle of elevation.



Geosynchronous and Other Orbits. To use a [page 686](#) satellite for communication relay or repeater purposes, the ground station antenna must be able to follow or track the satellite as it passes overhead. Depending upon the height and speed of the satellite, the earth station is able to use it only for communication purposes for that short period when it is visible. The earth station antenna tracks the satellite from horizon to horizon. But at some point, the satellite disappears around the other side of the earth. At this time, it can no longer support communication.

GOOD TO KNOW

Geosynchronous satellites orbit the earth equator in exact synchronism with the earth's rotation and therefore appear to be stationary.

One solution to this problem is to launch a satellite with a very long elliptical orbit so that the earth station can “see” the apogee. In this way, the satellite stays in view of the earth station for most of its orbit and is useful for communication for a longer time. It is only during that short time when the satellite disappears on the other side of the earth (perigee) that it cannot be used.

The intermittent communication caused by these orbital characteristics is highly undesirable in many communication

applications. One way to reduce interruptions is to use more than one satellite. Typically three satellites, if properly spaced in the correct orbits, can provide continuous communication at all times. However, multiple tracking stations and complex signal switching or “hand-off” systems between stations are required. Maintaining these stations is expensive and inconvenient.

Despite the cost and complexity of multiple-satellite systems, they are widely deployed in global telecommunication applications. These systems use anywhere from 24 to more than 100 satellites. At any given time, multiple satellites are in view anywhere on the earth, making continuous communication possible.

Multiple satellite systems are usually located in three ranges above the earth: *low earth-orbiting satellites*, commonly referred to as *LEOs*, *medium earth-orbiting satellites* or *MEOs*, and *geostationary satellites* or *GEOs*.

These are the main space segments for satellites and their approximate height above earth:

Low earth orbit (LEO)—100 to 1200 miles above the earth

Medium earth orbit (MEO)—3000 to 7500 miles above the earth

Geostationary earth orbit (GEO)—22,300 miles above the earth around the equator

High elliptical orbit (HEO)—distance varies

The greater the height above the earth, the better the view and the greater the radio area coverage on the earth’s surface. When the goal is broader coverage per satellite, the MEO is obviously preferred over the LEO. However, the higher the satellite, the higher the power required for reliable communication and the longer the delay. The delay is referred to as *latency*. Even though radio waves travel at 186,400 mi/s, there is a noticeable delay in any voice signal from the uplink to the downlink. For MEOs, the round-trip

delay averages about 100 ms. The delay in LEOs averages 10 ms.

The best solution is to launch a synchronous or geostationary satellite. In a GEO, the satellite orbits the earth about the equator at a distance of 22,300 mi (or 35,888 km). A satellite at that distance rotates about the earth in exactly 24 h. In other words, the satellite rotates in exact synchronism with the earth. For that reason, it appears to be fixed or stationary, thus the terms *synchronous*, *geosynchronous*, or *geostationary* orbit. Since the satellite remains apparently fixed, no special earth station tracking antennas are required. The antenna is simply pointed at the satellite and remains in a fixed position. With this arrangement, continuous communication is possible. Most communication satellites in use today are of the geosynchronous variety. Approximately 40 percent of the earth's surface can be "seen" or accessed from such a satellite. Users inside that area can use the satellite for communication. Higher power is required for such a great distance, and the round-trip delay is about 260 ms, which is very noticeable in voice communication.

Synchronous (geosynchronous or geostationary) orbit

GOOD TO KNOW

The SSP of nongeosynchronous satellites will move with respect to a given reference point on earth. For these satellites, the SSP traces a line on the earth known as the subsatellite path, or ground track.

Position Coordinates in Latitude and Longitude. To use a satellite, you must be able to locate its position in space. That position is usually predetermined by the design of the satellite and is achieved during the initial launch and subsequent position adjustments. Once the position is known, the earth station antenna can be pointed at the satellite for optimum transmission and reception. For

geosynchronous satellites, the earth station antenna can be adjusted once, and it will remain in that position except for occasional minor adjustments. The positions of other satellites above the earth vary according to their orbital characteristics. To use these satellites, special tracking systems must be employed. A tracking system is essentially an antenna whose position can be changed to follow the satellite across the sky. To maintain optimum transmission and reception, the antenna must be continually pointed at the satellite as it rotates. In this section, we discuss methods of locating and tracking satellites.

The location of a satellite is generally specified in [page 687](#) terms of latitude and longitude, just as a point on the earth would be described. The satellite location is specified by a point on the surface of the earth directly below the satellite. This point is known as the *subsatellite point (SSP)*. The subsatellite point is then located by using conventional latitude and longitude designations.

Subsatellite point (SSP)

Latitude and longitude form a system for locating any given point on the surface of the earth. This system is widely used for navigational purposes. If you have ever studied a globe of the earth, you have seen the lines of latitude and longitude. The lines of longitude, or *meridians*, are drawn on the surface of the earth between the north and south poles. Lines of latitude are drawn on the surface of the earth from east to west, parallel to the equator. The centerline of latitude is the equator, which separates the earth into the northern and southern hemispheres.

Meridians

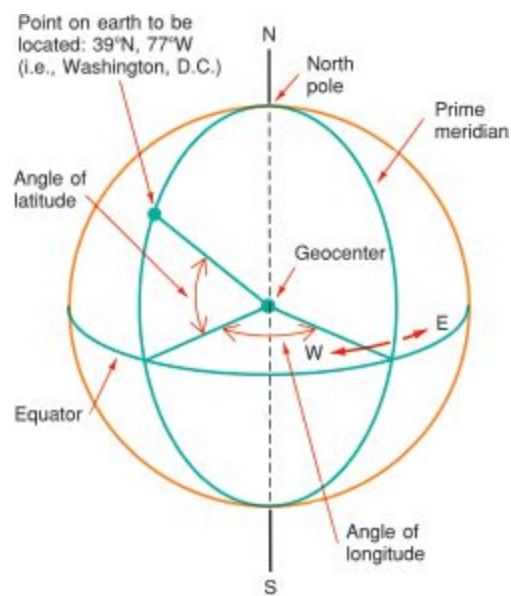
Latitude is defined as the angle between the line drawn from a given point on the surface of the earth to the point at the center of the earth called the *geocenter* and the line

between the geocenter and the equator (see Fig. 19-7). The 0° latitude is at the equator, and 90° latitude is at either the north or south pole. Usually an N or an S is added to the latitude angle to designate whether the point is in the northern or southern hemisphere.

Latitude

Geocenter

Figure 19-7 Tracking and navigation by latitude and longitude.



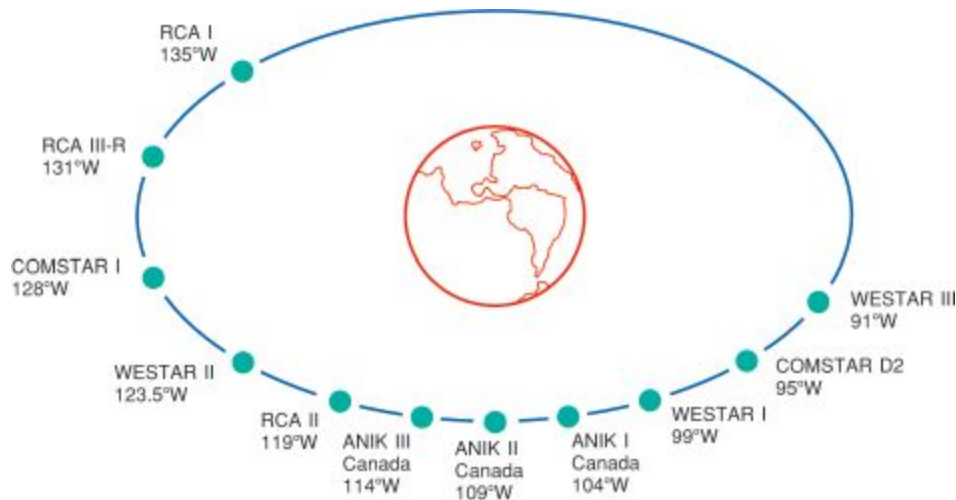
A line drawn on the surface of the earth between the north and south poles is generally referred to as a *meridian*. A special meridian called the *prime meridian* is used as a reference point for measuring longitude. It is the line on the surface of the earth, drawn between the north and south poles, that passes through Greenwich, England. The longitude of a given point is the angle between the line connected to the geocenter of the earth to the point where the prime meridian and equator and the meridian containing the given point of interest intersect (see Fig. 19-7). The designation east or west is usually added to the longitude angle to indicate whether the angle is being

measured to the east or west of the prime meridian. As an example, the location of Washington, D.C., is given by the latitude and longitude of 39° north and 77° west.

Prime meridian

To show how latitude and longitude are used to [page 688](#) locate a satellite, refer to Fig. 19-8. This figure shows some of the many geosynchronous communication satellites serving the United States and other parts of North America. Because geosynchronous satellites rotate about the equator, their subsatellite point is on the equator. For that reason, all geosynchronous satellites have a latitude of 0° .

Figure 19-8 The location of some of the many communication satellites in geosynchronous orbit.



Azimuth and Elevation. Knowing the location of the satellite is insufficient information for most earth stations that must communicate with the satellite. The earth station really needs to know the azimuth and elevation settings of its antenna to intercept the satellite. Most earth station satellite antennas are highly directional and must be accurately positioned to “hit” the satellite. The azimuth and elevation designations in degrees tell where to point the

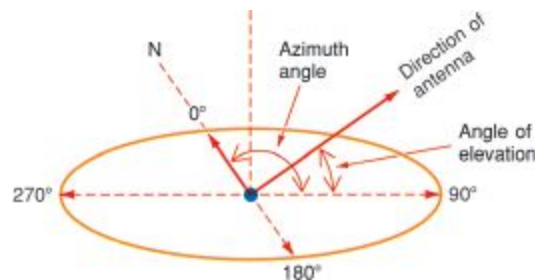
antenna (see Fig. 19-9). *Azimuth* refers to the direction where north is equal to 0° . The *azimuth angle* is measured clockwise with respect to north. The *angle of elevation* is the angle between the horizontal plane and the pointing direction of the antenna.

Azimuth

Azimuth angle

Angle of elevation

Figure 19-9 Azimuth and elevation: Azimuth = 90° ; elevation = 40° ..



Once the azimuth and elevation are known, the earth station antenna can be pointed in that direction. For a geosynchronous satellite, the antenna will simply remain in that position. For any other satellite, the antenna must be moved as the satellite passes overhead.

For geosynchronous satellites, the angles of azimuth and elevation are relatively easy to determine. Because geosynchronous satellites are fixed in position over the equator, special formulas and techniques have been developed to permit easy determination of azimuth and elevation for any geosynchronous satellite for any point on earth. Example 19-1 shows how calculations are made.

Example 19-1

A satellite earth station is to be located at longitude 95° west, latitude 30° north. The satellite is located at 121° west longitude in geosynchronous orbit. Determine the approximate azimuth and elevation settings for the antenna.

- a. Difference between longitude of satellite and longitude of location:

$$121 - 95 = 26^\circ$$

- b. Locate longitude difference (relative longitude) and latitude.
c. Determine the elevation from the curves:

$$45^\circ$$

- d. Determine the radial position:

$$137^\circ$$

- e. Calculate the actual azimuth:

$$360 - 137 = 223^\circ$$

19-2 Satellite Communication Systems

Communication satellites are not originators of information to be transmitted. Although some other types of satellites generate the information to be transmitted, communication satellites do not. Instead, these satellites are relay stations for earth sources. If a transmitting station cannot communicate directly with one or more receiving stations

because of line-of-sight restrictions, a satellite can be used. The transmitting station sends the information to the satellite, which in turn retransmits it to the receiving stations. The satellite in this application is what is generally known as a *repeater*.

Communication satellite

Repeater

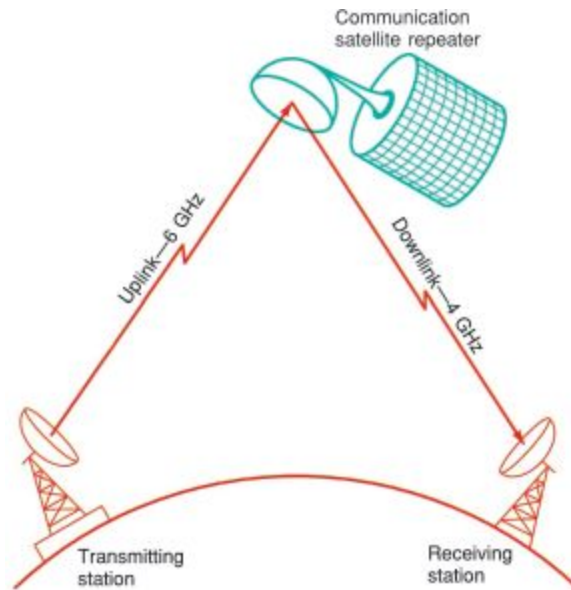
Repeaters and Transponders

Fig. 19-10 shows the basic operation of a communication satellite. An earth station transmits information to the satellite. The satellite contains a receiver that picks up the transmitted signal, amplifies it, and translates it on another frequency. The signal on the new frequency is then retransmitted to the receiving stations on the earth. The original signal being transmitted from the earth station to the satellite is called the *uplink*, and the retransmitted signal from the satellite to the receiving stations is called the *downlink*. Usually the downlink frequency is lower than the uplink frequency. For example, an uplink frequency is 6 GHz, and a common downlink frequency is 4 GHz.

Uplink

Downlink

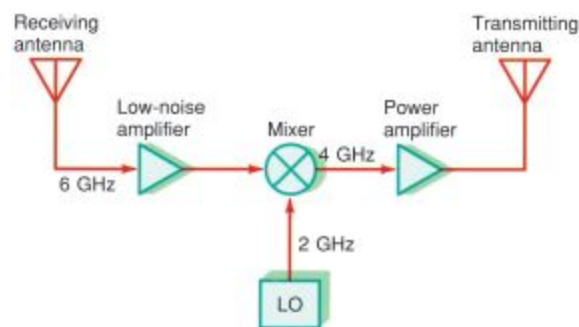
Figure 19-10 Using a satellite as a microwave relay link.



The transmitter-receiver combination in the page 690 satellite is known as a *transponder*. The basic functions of a transponder are amplification and frequency translation (see Fig. 19-11). The reason for frequency translation is that the transponder cannot transmit and receive on the same frequency. The transmitter's strong signal would overload, or "desensitize," the receiver and block out the very small uplink signal, thereby prohibiting any communication. Widely spaced transmit and receive frequencies prevent interference.

Transponder

Figure 19-11 A satellite transponder.



Transponders are also wide-bandwidth units so that they can receive and retransmit more than one signal. Any earth station signal within the receiver's bandwidth will be amplified, translated, and retransmitted on a different frequency.

Although the typical transponder has a wide bandwidth, it is used with only one uplink or downlink signal to minimize interference and improve communication reliability. To be economically feasible, a satellite must be capable of handling several channels. As a result, most satellites contain multiple transponders, each operating at a different frequency. For example, a communication satellite may have dozens of channels, some vertically polarized and others horizontally polarized. Each transponder represents an individual communication channel. Various multiple-access schemes are used so that each channel can carry multiple information transmissions.

Frequency Allocations. Most communication satellites operate in the microwave frequency spectrum. However, there are some exceptions. For example, many military satellites operate in the 200- to 400-VHF/UHF range. Also, the amateur radio OSCAR satellites operate in the VHF/UHF range. VHF, UHF, and microwave signals penetrate the ionosphere with little or no attenuation and are not refracted to earth, as are lower-frequency signals in the 3- to 30-MHz range.

The microwave spectrum is divided up into frequency bands that have been allocated to satellites as well as other communication services such as radar. These frequency bands are generally designated by a letter of the alphabet. Fig. 19-12 shows the various frequency bands used in satellite communication.

Figure 19-12 Frequency bands used in satellite communication.

Band	Frequency
P	225–390 MHz
J	350–530 MHz
L	1530–2700 MHz
S	2500–2700 MHz
C	3400–6425 MHz
X	7250–8400 MHz
Ku	10.95–14.5 GHz
Ka	17.7–31 GHz
Q	36–46 GHz
V	46–56 GHz
W	56–100 GHz

Over the past several years, there has been a steady move toward the higher frequencies. Currently, the Ku band is receiving the most attention. The uplinks are in the 14- to 14.5-GHz range, and the downlinks are from 11.7 to 12.2 GHz. You will see the Ku band designated as 14/12 GHz. Use of the Ka band is also increasing.

Two other bands of interest are the X and L bands. The military uses the X band for its satellites and radar. The L band is used for navigation as well as marine and aeronautical communication and radar.

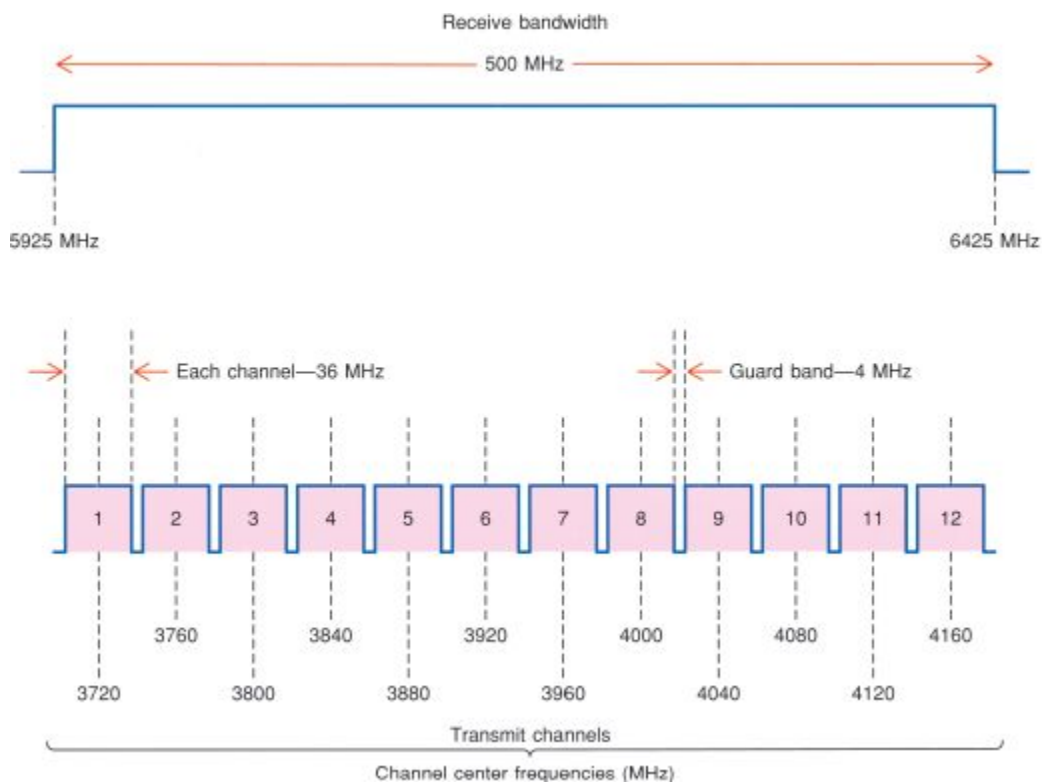
Spectrum Usage

Most communication satellites are designed to take advantage of the full bandwidth of a satellite band. This allows them to carry the maximum possible number of communication channels. Of course, this extremely wide bandwidth is one of the major reasons why microwave frequencies are so useful in communication. Not only can many communication channels be supported, but also very high-speed digital data requiring a wide bandwidth is supported.

Using the older C band as an example, the transponder receiver “looks at” the entire assigned bandwidth and picks up any transmission there. However, the input is

“channelized” because the earth stations operate on selected frequencies or channels. The wide assigned bandwidth is typically divided into multiple separate transmit channels by bandpass filters. Guard bands between channels are used to minimize adjacent channel interference. Fig. 19-13 shows an example. Note the center frequency for each channel. Remember that the uplink frequencies are translated by frequency conversion to the downlink channel. In both cases, the total bandwidth (500 MHz) and channel bandwidth (36 MHz) are the same. Onboard the satellite, a separate transponder is allocated to each of the multiple channels.

Figure 19-13 Receive and transmit bandwidths in a C-band communication satellite.



Although 36 MHz seems narrow compared to 500 page 692 MHz, each transponder bandwidth is capable of carrying an enormous amount of information. Each

transponder channel can also carry high-speed digital data. Using certain types of modulation, a standard 36-MHz bandwidth transponder can handle digital data at rates of up to hundreds of Mbps depending on the type of modulation and other signal conditioning.

Example 19-2

A satellite transponder operates in the C band (see Fig. 19-13). Assume a local-oscillator frequency of 2 GHz.

- a. What is the uplink receiver frequency if the downlink transmitter is on channel 4? The downlink frequency of channel 4 is 3840 MHz (Fig. 19-13). The downlink frequency is the difference between the uplink frequency f_u and the local-oscillator frequency f_{LO} :

$$f_d = f_u - f_{LO}$$

Therefore,

$$\begin{aligned} f_u &= f_d + f_{LO} \\ &= 3840 + 2000 = 5840 \text{ MHz} = 5.84 \text{ GHz} \end{aligned}$$

- b. What is the maximum theoretical data rate if one transponder is used for binary transmission? The bandwidth of one transponder channel is 36 MHz. For binary transmission, the maximum theoretical data rate or channel capacity C for a given bandwidth B is

$$\begin{aligned} C &= 2B \\ &= 2(36) = 72 \text{ Mbps} \end{aligned}$$

Although the transponders are quite capable, they nevertheless rapidly become overloaded with traffic. Furthermore, at times there is more traffic than there are transponders to handle it. For that reason, numerous techniques have been developed to effectively increase the bandwidth and signal-carrying capacity of the satellite. Two of these techniques are known as *frequency reuse* and *spatial isolation*.

Frequency Reuse. One system for effectively doubling the bandwidth and information-carrying capacity of a satellite is known as *frequency reuse*. In this system, a communication satellite is provided with two identical sets of 12 transponders. The first channel in one transponder operates on the same channel as the first transponder in the other set, and so on. With this arrangement, the two sets of transponders transmit in the same frequency spectrum and, therefore, appear to interfere with each other. However, this is not the case. The two systems, although operating on exactly the same frequencies, are isolated from each other by the use of special antenna techniques.

Frequency reuse

One technique for keeping transmissions separate is to use different antenna polarizations. For example, a vertically polarized antenna will not respond to a horizontally polarized signal and vice versa. Or a *left-hand circularly polarized (LHCP)* antenna will not respond to a *right-hand circularly polarized (RHCP)* signal and vice versa.

Left-hand circularly polarized (LHCP)

Right-hand circularly polarized (RHCP)

Another technique is to use spatial isolation. By page 693 using narrow beam or spot beam antennas, the area on the earth covered by the satellite can be divided up into smaller segments. Earth stations in each segment may

actually use the same frequency, but because of the very narrow beam widths of the antennas, there is no interference between adjacent segments. This technique is referred to a *spatial-division multiple access (SDMA)* in that access to the satellite depends on location and not frequency.

spatial-division multiple access (SDMA)

Access Methods. To maximize the use of the available spectrum in satellite transponders and to ensure access for as many users as possible, all satellites use some form of multiplexing. Frequency-division multiplexing (FDM), more commonly called *frequency-division multiple access (FDMA)*, was widely used in early satellites. Today, time-division multiplexing (TDM), also known as *time-division multiple access (TDMA)*, is more prevalent. This digital technique assigns each user a time slot on the full bandwidth of the transponder channel. Modulation methods are BPSK and QPSK, although multilevel QAM (16 QAM, 32 QAM, and 256 QAM) is also used to increase digital transmission speeds in a given bandwidth. Spread spectrum is used in some of the newer satellites. Also known as *code-division multiple access (CDMA)*, this digital method spreads the signals of multiple users over the full transponder channel bandwidth and sorts them by use of pseudorandom codes. CDMA also provides the security so important in today's wireless systems and today, more and more satellites use SDMA to give multiple access while conserving spectrum.

Frequency-division multiple access (FDMA)

Time-division multiple access (TDMA)

Code-division multiple access (CDMA)

19-3 Satellite Subsystems

All satellite communication systems consist of two basic parts, the satellite or spacecraft and two or more earth stations. The satellite performs the function of a radio repeater or relay station. Two or more earth stations may communicate with one another through the satellite rather than directly point-to-point on the earth.

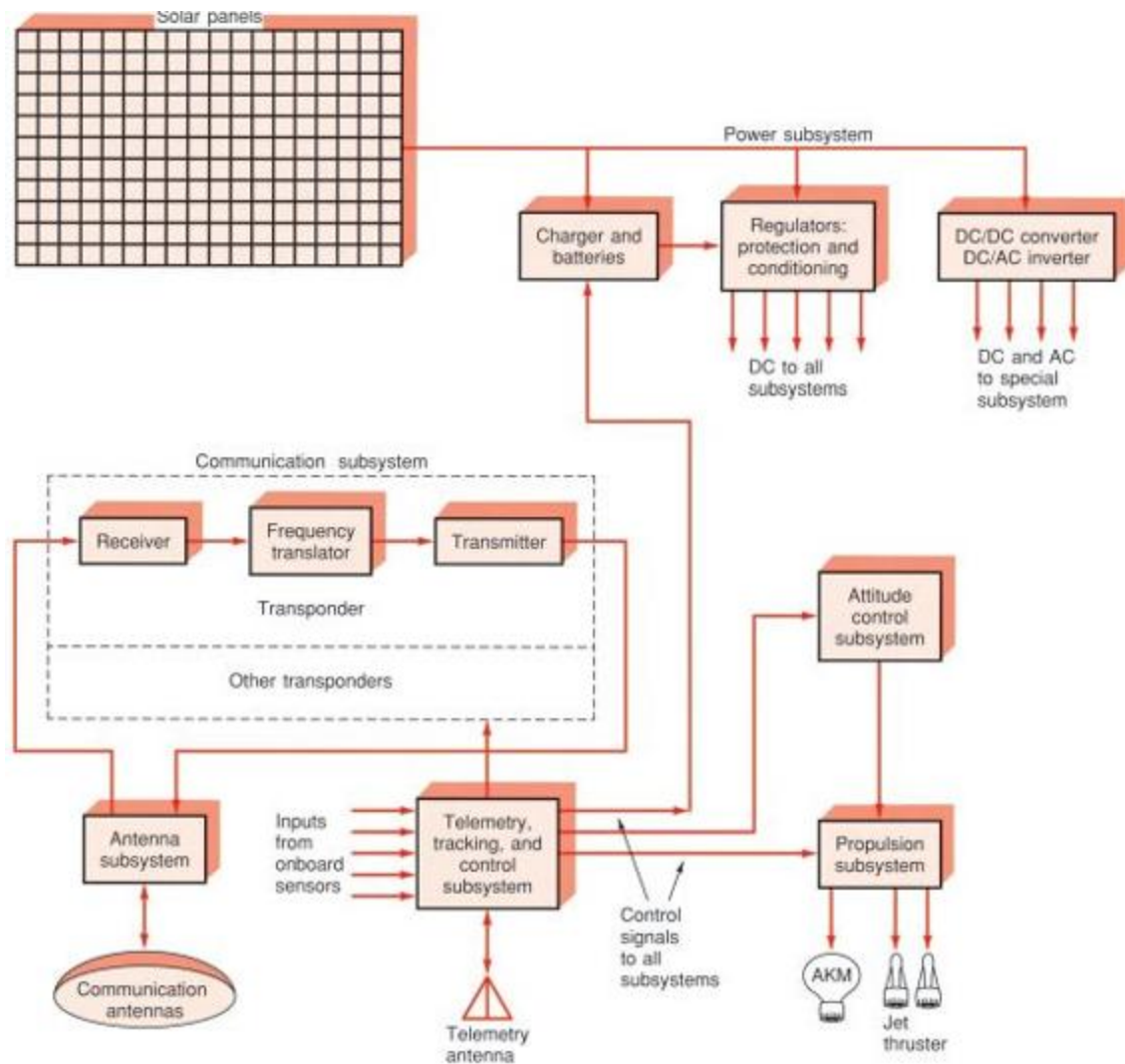
Satellites vary in size from about 1 ft³ for a small LEO satellite to more than 20 ft long. The largest satellites are roughly the size of the trailer on an 18-wheeler. Weight ranges from about 100 lb for the smaller satellites to nearly 10,000 lb for the largest. The new CubeSats are only 10 × 10 × 10 cm.

The heart of a communication satellite is the communication subsystem. This is a set of transponders that receive the uplink signals and retransmit them to earth. A transponder is a repeater that implements a wideband communication channel that can carry many simultaneous communication transmissions.

The transponders are supported by a variety of additional “housekeeping” subsystems. These include the power subsystem, the telemetry tracking and command subsystems, the antennas, and the propulsion and attitude stabilization subsystems. These are essential to the self-sustaining nature of the satellite.

Fig. 19-14 is a general block diagram of a satellite. All the major subsystems are illustrated. The solar panels supply the electric power for the spacecraft. They drive regulators that distribute dc power to all other subsystems. And they charge the batteries that operate the satellite during eclipse periods. And ac-to-dc converters and dc-to-ac inverters are used to supply special voltages to some subsystems. Total power capability runs from a few hundred watts in the smaller units to several kilowatts in the largest systems.

Figure 19-14 General block diagram of a communication satellite.



The communication subsystem consists of multiple transponders. These receive the uplink signals, amplify them, translate them in frequency, and amplify them again for retransmission as downlink signals. The transponders share an antenna subsystem for both reception and transmission.

The telemetry, tracking, and command (TT&C) subsystem monitors onboard conditions such as temperature and battery voltage and transmits this data back to a ground station for analysis. The ground station may then issue orders to the satellite by transmitting a signal to the

command subsystem, which then is used to control many spacecraft functions such as firing the jet thrusters.

The jet thrusters and the *apogee kick motor* page 694 (AKM) are part of the propulsion subsystem. They are controlled by commands from the ground.

The attitude control subsystem provides stabilization in orbit and senses changes in orientation. It fires the jet thrusters to perform attitude adjustment and station-keeping maneuvers that keep the satellite in its assigned orbital position.

Communication Subsystems

The main payload on a communication satellite, of course, is the communication subsystem that performs the function of a repeater or relay station. An earth station takes the signals to be transmitted, known as *baseband signals*, and modulates a microwave carrier. The three most common baseband signals are voice, video, and computer data. These uplink signals are then amplified, translated in frequency, and retransmitted on the downlink to one or more earth stations. The component that performs this function is known as a *transponder*. Most modern communication satellites contain many transponders. These transponders operate in the microwave frequency range.

Baseband signals

Transponder

The basic purpose of a transponder is simply to page 695 rejuvenate the uplink signal and retransmit it over the downlink. In this role, the transponder performs the function of an amplifier. By the time the uplink's signal reaches the satellite, it is extremely weak. Therefore, it

must be amplified before it can be retransmitted to the receiving earth station.

However, transponders are more than just amplifiers. An *amplifier* is a circuit that takes a signal and increases the voltage or power level of that signal without changing its frequency or content. Such a transponder, then, literally consists of a receiver and a transmitter that operate on the same frequency. Because of the close proximity of the transmitter and the receiver in the satellite, the high transmitter output power for the downlink is picked up by that satellite receiver. Naturally, the uplink signal is totally obliterated. Furthermore, the transmitter output fed back into the receiver input causes oscillation.

To avoid this problem, the receiver and the transmitter in the satellite transponder are designed to operate at separate frequencies. In this way, they will not interfere with each other. The frequency spacing is made as wide as practical to minimize the effect of the transmitter desensitizing the receiver. In many repeaters, even though the receive and transmit frequencies are different, the high output power of the transmitter can still affect the sensitive receiver input circuits and, in effect, desensitize them, making them less sensitive in receiving the weak uplink signals. The wider the frequency spacing between transmitter and receiver, the less of desensitizing problem this is.

In typical satellites, the input and output frequencies are separated by huge amounts. At C band frequencies, the uplink signal is in the 6-GHz range and the downlink signal is in the 4-GHz range. This 2-GHz spacing is sufficient to eliminate most problems. However, to ensure maximum sensitivity and minimum interference between uplink and downlink signals, the transponder contains numerous filters that not only provide channelization but also help to eliminate interference from external signals regardless of their source.

Three basic transponder configurations are used in communication satellites. They are all essentially minor variations of one another, but each has its advantages and disadvantages. These are the single-conversion, double-conversion, and regenerative transponders.

A *single-conversion transponder* uses a single mixer to translate the uplink signal to the downlink frequency. A *dual-conversion transponder* makes the frequency translation in two steps with two mixers. No demodulation occurs. A *regenerative repeater* demodulates the uplink signal after the frequency is translated to some lower intermediate frequency. The recovered baseband signal is then used to modulate the downlink signal.

Single-conversion transponder

Dual-conversion transponder

Regenerative repeater

Multichannel Configurations. Virtually all modern communication satellites contain multiple transponders. This permits many more signals to be received and transmitted. A typical commercial communication satellite contains 12 transponders, 24 if frequency reuse is incorporated. Military satellites often contain fewer transponders, whereas the newer, larger commercial satellites have provisions for up to hundreds of channels. Each transponder operates on a separate frequency, but its bandwidth is wide enough to carry multiple channels of voice, video, and digital information.

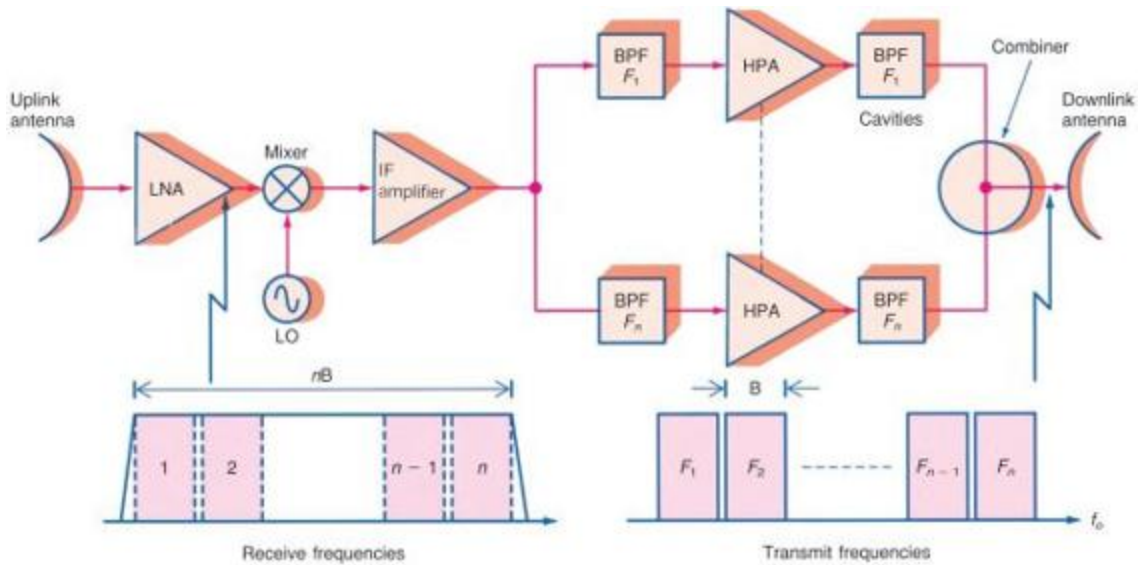
There are two basic multichannel architectures in use in communication satellites. One is a broadband system, and the other is a fully channelized system.

Broadband System. As indicated earlier, a typical communication satellite spectrum is very wide and divided into multiple separate channels. The center frequency

spacing between adjacent channels is to minimize adjacent channel interference. A wideband repeater (Fig. 19-15) is designed to receive any signal transmitted within the total bandwidth.

Broadband system

Figure 19-15 A broadband multiple-channel repeater.



The receive antenna is connected to a low-noise amplifier (LNA) as in every transponder. Very wideband tuned circuits are used so that the entire bandwidth is received and amplified. A low-noise amplifier, usually a GaAs FET, provides gain. A mixer translates all incoming signals to their equivalent lower downlink frequencies. A wideband amplifier following the mixer amplifies this entire spectrum.

Channelization Process. The *channelization* page 696 process occurs in the remainder of the transponder.

For example, bandpass filters, each centered on one of the channels, are used to separate all the various received signals. The bandpass filters separate out the unwanted mixer output signals and retain only the difference signals. Then individual *high-power amplifiers (HPAs)* are used to

increase the signal level. These are usually *traveling-wave tubes (TWTs)*. The output of each TWT amplifier is again filtered to minimize harmonic and intermodulation distortion problems. These filters are usually part of a larger assembly known as a *multiplexer*, or *combiner*. This is a waveguide-cavity resonator assembly that filters and combines all the signals for application to a single antenna.

Channelization process

High-power amplifier (HPA)

Traveling-wave tube (TWT)

GOOD TO KNOW

A typical communication satellite contains multiple transponders, and frequency reuse is incorporated.

Power Subsystem

Today virtually every satellite uses solar panels for its basic power source. *Solar panels* are large arrays of photocells connected in various series and parallel circuits to create a powerful source of direct current. Early solar panels could generate hundreds of watts of power. Today huge solar panels are capable of generating many kilowatts. A key requirement is that the solar panels always be pointed toward the sun. There are two basic satellite configurations. In cylindrical satellites, the solar cells surround the entire unit, and therefore some portion of them is always exposed to sunlight. In body-stabilized, or three-axis, satellites, individual solar panels are manipulated with various controls to ensure that they are correctly oriented with respect to the sun.

Solar panel

Solar panels generate a direct current that is used to operate the various components of the satellite. However, the dc power is typically used to charge secondary batteries that act as a buffer. When a satellite goes into an eclipse or when the solar panels are not properly positioned, the batteries take over temporarily and keep the satellite operating. The batteries are not large enough to power the satellite for a long time; they are used as a backup system for eclipses, initial satellite orientation and stabilization, or emergency conditions.

The basic dc voltage from the solar panels is conditioned in various ways. For example, it is typically passed through voltage regulator circuits or dc-dc converters before being used to power individual electronic circuits. Occasionally, voltages higher than those produced by the solar panels must also be generated. For example, the TWT amplifiers in most communication transponders require thousands of volts for proper operation. Special dc-to-dc converters are used to translate the lower dc voltage of the solar panels to the higher dc voltage required by the TWTs. Newer satellites use GaN power amplifiers with outputs up to several hundred watts. These are smaller and operate at lower voltages. For higher power, TWTs are still used.

Telemetry, Command, and Control Subsystems

All satellites have a *telemetry, command, and control (TC&C) subsystem* that allows a ground station to monitor and control conditions in the satellite. The telemetry system is used to report the status of the onboard subsystems to the ground station. The telemetry system typically consists of various electronic sensors for measuring temperatures, radiation levels, power supply voltages, and other key operating characteristics. Both analog and digital sensors

may be used. The sensors are selected by a multiplexer and then converted to a digital signal, which then modulates an internal transmitter. This transmitter sends the telemetry information back to the earth station, where it is recorded and monitored. With this information, the ground station then determines the operational status of the satellite at all times.

Telemetry, command, and control (TC&C) subsystem

A command and control system permits the ground station to control the satellite. Typically, the satellite contains a command receiver that receives control signals from an earth station transmitter. The control signals are made up of various digital codes that tell the satellite what to do. Various commands may initiate a telemetry sequence, activate thrusters for attitude correction, reorient an antenna, or perform other operations as required by the special equipment specific to the mission. Usually, the control signals are processed by an onboard computer.

Most satellites contain a small digital computer, usually microprocessor-based, that acts as a central control unit for the entire satellite. The computer contains a built-in ROM with a master control program that operates the computer and causes all other subsystems to be operated as required. The command and control receiver typically takes the command codes that it receives from the ground station and passes them on to the computer, which then carries out the desired action.

The computer may also be used to make necessary computations and decisions. Information collected from the telemetry system may be first processed by the computer before it is sent to the ground station. The memory of the computer may also be used to store data temporarily prior to processing or prior to its being transmitted back to earth. The computer may also serve as an event timer or clock. Thus the computer is a versatile control element that can be

reprogrammed via the command and control system to carry out any additional functions that may be required, particularly those that were not properly anticipated by those designing the mission.

Applications Subsystems

The applications subsystem is made up of the special components that enable the satellite to fulfill its intended purpose. For a communication satellite, this subsystem is made up of the transponders.

An observation satellite such as those used for intelligence gathering or weather monitoring may use still cameras, TV cameras, or infrared sensors to pick up various conditions on the earth and in the atmosphere. This information is then transmitted back to earth by a special transmitter designed for this purpose. There are many variations of this subsystem depending upon the use. The *Global Positioning System* for satellites is an example of a subsystem, the application payload for which is used for navigation. This system is discussed in detail later in this chapter.

CubeSats

CubeSats are tiny satellites that are being launched for a wide range of purposes. The satellites themselves have a standard size of 10 cm × 10 cm × 10 cm called a U1. Upper weight limit is 1.33 kg or about 3 lb. Larger satellites can be built by combining multiple U1s into U2, U3, or U6 configurations. The ongoing miniaturization of electronics permits a single CubeSat to contain an impressive amount of application circuitry plus a couple of radios.

CubeSats are being built and deployed by companies, universities, government, and even individuals for research

and proof of concept. Because of their small size, only small- and medium-size rockets are needed to launch them typically into the LEO region. Launch costs are a fraction of what is required for larger commercial, military, or government satellites. In fact, most rocket launches include dozens of CubeSats at the same time.

Even amateur radio operators have joined together to put their own satellites in LEOs so they can communicate over longer distances through the satellite. Multiple amateur radio satellites are in a wide range of orbits. Typical equipment is a low-power (<10W) dual-band transceiver with an uplink on 70 cm (420 MHz range) and a downlink on 2 m (145 MHz) or vice versa. Modulation is typically FM but single-sideband (SSB) has been used. A dual-band Yagi antenna is normally used, handheld by the ground operator. The satellites are so low that they are traveling at an astonishing speed across the sky. The operator only has a few minutes, usually 15 minutes at the most to make a contact with another ham before the satellite disappears over the horizon as he or she tracks the satellite across the sky with the handheld antenna. Those interested in amateur radio satellites should contact the organization that builds and launches the CubeSats and other satellites. Go to www.amsat.org.

19-4 Ground Stations

The *ground station*, or earth station, is the terrestrial base of the system. The ground station communicates with the satellite to carry out the designated mission. The earth station may be located at the end user's facilities or may be located remotely with ground-based intercommunication links between the earth station and the end user. In the early days of satellite systems, earth stations were typically placed in remote country locations. Because of their

enormous antennas and other critical requirements, it was not practical to locate them in downtown or suburban areas. Today, earth stations are still complex, but their antennas are smaller. Many earth stations are now located on top of tall buildings or in other urban areas directly where the end user resides. This offers the advantage of eliminating complex intercommunication systems between the earth station and the end user.

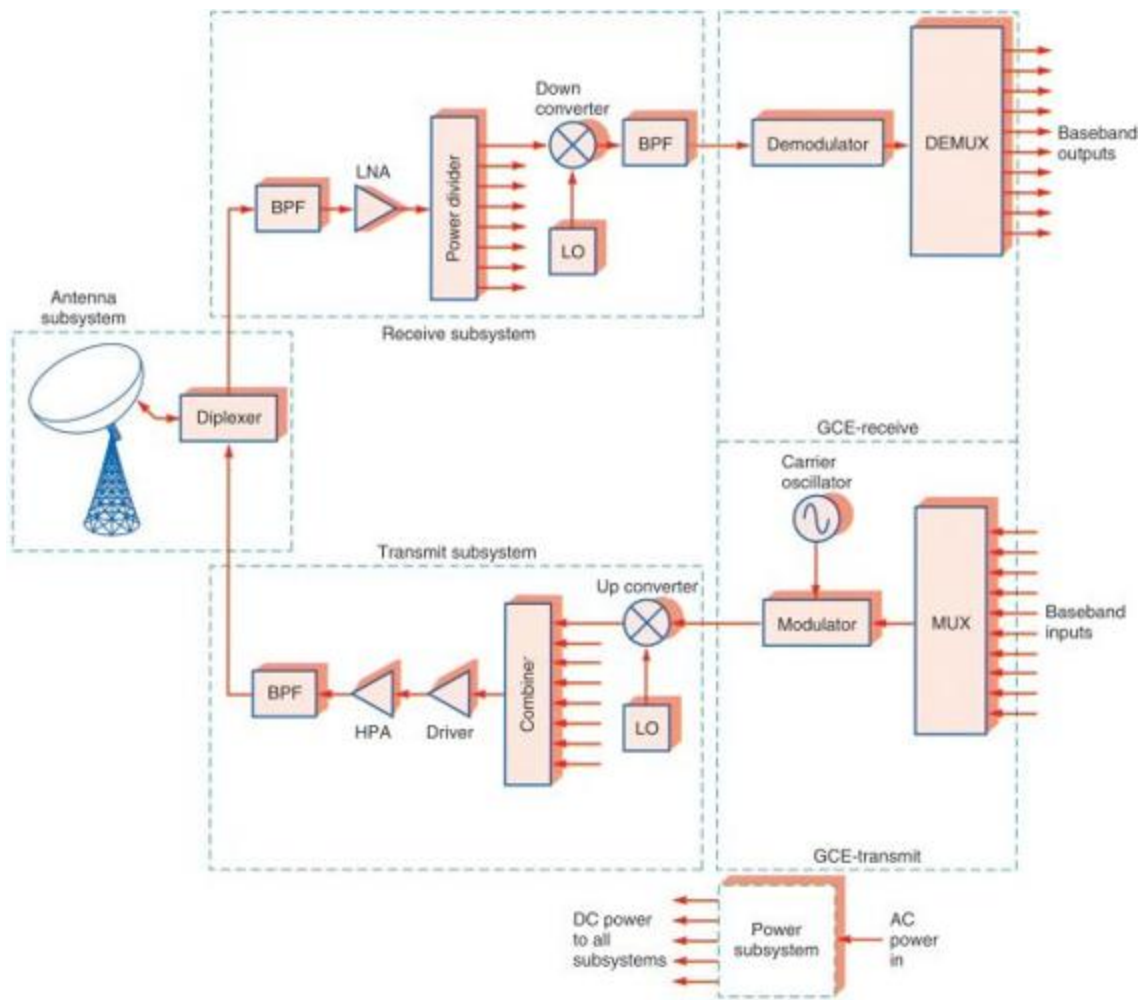
Ground station

Like the satellite, the earth station is made up of a number of different subsystems. The subsystems, in fact, generally correspond to those onboard the satellite but are larger and much more complex. Furthermore, several additional subsystems exist at earth stations that would not be appropriate in a satellite.

An earth station consists of five major subsystems: the antenna subsystem, the receive subsystem, the transmit subsystem, the *ground control equipment (GCE) subsystem*, and the power subsystem (see Fig. 19-16). Not shown here are the telemetry, control, and instrumentation subsystems.

Ground control equipment (GCE) subsystem

Figure 19-16 General block diagram of an earth station.



The power subsystem furnishes all the power to the other equipment. The primary source of power is the standard ac power lines. This subsystem operates power supplies that distribute a variety of dc voltages to the other equipment. The power subsystem also consists of emergency power sources such as diesel generators, batteries, and inverters to ensure continuous operation during power failures.

As shown in Fig. 19-16, the antenna subsystem page 699 usually includes a *diplexer*, i.e., a waveguide assembly that permits both the transmitter and the receiver to use the same antenna. The diplexer feeds a bandpass filter (BPF) in the receiver section that ensures that only the received frequencies pass through to the sensitive receiving

circuits. This bandpass filter blocks the high-power transmit signal that can occur simultaneously with reception. This prevents overload and damage to the receiver.

Diplexer

The output of the bandpass filter feeds a low-noise amplifier that drives a power divider. This is a waveguidelike assembly that splits the received signal into smaller but equal power signals. The power divider feeds several down converters. These are standard mixers fed by local oscillators (LOs) that translate the received signals down to an intermediate frequency. A BPF ensures the selection of the proper sidebands out of the down converter.

The IF signal containing the data is then sent to the GCE receive equipment, where it is demodulated and fed to a demultiplexer, where the original signals are finally recovered. The demultiplexer outputs are usually the baseband or original communication signals. In actual systems, several levels of demodulation and demultiplexing may have to take place to obtain the original signals. In the GCE transmit subsystem, the baseband signals such as telephone conversations are applied to a multiplexer that permits multiple signals to be carried on a single channel.



Enrico Sacchetti/Science Source

Antenna Subsystems

All earth stations have a relatively large parabolic dish antenna that is used for sending and receiving signals to and from the satellite. Early satellites had very low power transmitters, and so the signals received on the earth were extremely small. Huge high-gain antennas were required to pick up minute signals from the satellite. The earth station dishes were 80 to 100 ft or more in diameter. Antennas of this size are still used in some satellite systems today, and even larger antennas have been used for deep-space probes.

Antenna subsystem

Modern satellites now transmit with much more power. Advances have also been made in receiver components and circuitry. For that reason, smaller earth station antennas are now practical. In some applications, antennas having as small as 18-in diameter can be used.

Typically, the same antenna is used for both transmitting and receiving. A diplexer is used to permit a single antenna

to be used for multiple transmitters and/or receivers. In some applications, a separate antenna is used for telemetry and control functions.

The antenna in an earth station must also be steerable. That is, it must be possible to adjust its azimuth and elevation so that the antenna can be properly aligned with the satellite. Earth stations supporting geosynchronous satellites can generally be fixed in position, however. Azimuth and elevation adjustments are necessary to initially pinpoint the satellite and to permit minor adjustments over the satellite's life.

Receive Subsystems

The downlink is the *receive subsystem* of the earth station. It usually consists of very low-noise preamplifiers that take the small signal received from the satellite and amplify it to a level suitable for further processing. The signal is then demodulated and sent on to other parts of the communication system where the previously uplinked signals are recovered.

Receive subsystem

Transmitter Subsystems

The uplink is the transmitting subsystem of the earth station. It consists of all the electronic equipment that takes the signal to be transmitted, amplifies it, and sends it to the antenna. In a communication system, the signals to be sent to the satellite might be TV programs, multiple telephone calls, or digital data from a computer. These signals are used to modulate the carrier, which is then amplified by a large traveling-wave tube or klystron amplifier. Such amplifiers usually generate many hundreds of watts of

output power. This is sent to the antenna by way of microwave waveguides, combiners, and diplexers.

The *transmit subsystem* consists of two basic page 701 parts, the up converters and the power amplifiers. The up converters translate the baseband signals modulated on to carriers up to the final uplink microwave frequencies. The power amplifiers generate the high-power signals that are applied to the antenna. The modulated carriers are created in the transmit GCE.

Transmit subsystem

Most medium- and high-power earth stations use either TWTs or klystrons for the power amplifiers. There are two typical power ranges, one in the 200- to 400-W range and the other in the 2- to 3-kW range. The amount of power used depends upon the location of the station and its antenna size. Satellite transponder characteristics also influence the power required by the earth station. As improvements have been made in low-noise amplifiers, and satellites have been able to carry higher-power transponders, earth station transmitter power requirements have greatly decreased. This is also true for antenna sizes.

Power Subsystems

Most earth stations receive their power from the normal ac mains. Standard power supplies convert the ac power to the dc voltages required to operate all subsystems. However, most earth stations have backup power systems. Satellite systems, particularly those used for reliable communication of telephone conversations, TV programs, computer data, and so on, must not go down. The backup power system takes over if an ac power failure occurs. The backup power system may consist of a diesel engine driving an ac generator. When ac power fails, an automatic system starts

the diesel engine. The generator creates the equivalent ac power, which is automatically switched to the system. Smaller systems may use *uninterruptible power supplies (UPS)*, which derive their main power from batteries. Large battery arrays drive dc-to-ac inverters that produce the ac voltages for the system. Uninterruptible power supplies are not suitable for long power failures and interruptions because the batteries quickly become exhausted. However, for short interruptions of power, i.e., less than an hour, they are adequate.

Uninterruptible power supplies (UPS)

Power subsystem

Telemetry and Control Subsystems

The telemetry equipment consists of a receiver and the recorders and indicators that display the telemetry signals. The signal may be received by the main antenna or a separate telemetry antenna. A separate receiver on a frequency different from that of the communication channels is used for telemetry purposes. The telemetry signals from the various sensors and transducers in the satellite are multiplexed onto a single carrier and are sent to the earth station. The earth station receiver demodulates and demultiplexes the telemetry signals into the individual outputs. These are then recorded and sent to various indicators, such as strip chart recorders, meters, and digital displays. Signals may be in digital form or converted to digital. They can be sent to a computer where they can be further processed and stored.

The control subsystem permits the ground station to control the satellite. This system usually contains a computer for entering the commands that modulate a carrier that is amplified and fed to the main antenna. The command signals can make adjustments in the satellite

attitude, turn transponders off and on, actuate redundant circuits if the circuits they are backing up fail, and so on.

In some satellite systems where communication is not the main function, some instrumentation may be a part of the ground station. *Instrumentation* is a general term for all the electronic equipment used to deal with the information transmitted back to the earth station. It may consist of demodulators and demultiplexers, amplifiers, filters, A/D converters, or signal processors. The *instrumentation subsystem* is in effect an extension of the telemetry system. Besides relaying information about the satellite itself, the telemetry system may be used to send back information related to various scientific experiments being conducted on the satellite. In satellites used for surveillance, the instrumentation may be such that it can deal with digital still photographs or TV signals sent back from an onboard camera. The possibilities are extensive depending upon the actual satellite mission.

Instrumentation subsystem

Very Small-Aperture Terminal

page 702

A *very small-aperture terminal (VSAT)* is a miniature low-cost satellite ground station. In the past, most ground stations were large and expensive—large because of the huge dish antennas that were often needed, and expensive because of the equipment costs. But over the years, semiconductor and other technology breakthroughs have greatly reduced the size and cost of ground stations. The VSAT is one result. These units are extremely small and mount on the top or side of a building and in some versions even fit into a suitcase. Costs range from a few thousand dollars to no more than about \$6000 today. They can be installed very quickly by plugging them in and pointing the antenna.

Very small-aperture terminal (VSAT)

A VSAT is a full receive-transmit earth station. Most of those used in the United States and Europe operate in the Ku band, so the antennas are very small, typically 0.6 to 2.4 m (about 2 to 8 ft) in diameter. *Receive-only (RO)* VSATs are also available for special applications such as digital video broadcasts (DVBs). Most of the transmit-receive electronics in a VSAT is contained in a housing mounted on the dish. A box containing the feed horn antenna at the focal point of the dish contains the LNA, down converters, and demodulators in the receiver and the transmit power amplifier. In some systems these circuits may be contained in a housing near the base of the antenna to keep the coaxial connection between the feed horn antenna and transmitter-receiver unit short. A cable then connects the baseband inputs and outputs (voice, video, or data) to a computer that is connected to the system.

Receive-only (RO)

The most common application of VSATs today is in connecting many remote company or organization sites to a main computer system. For example, most gas stations and retail stores use VSATs as point-of-sale (PoS) terminals to transmit sales transaction information to the home office, check customer credit cards, and relay inventory data. Companies such as Shell, Walmart, and Barnes & Noble all use VSATs. Most stores that sell lottery tickets use a VSAT as do most tollbooths using SpeedPass and other radio-frequency identification (RFID) of vehicles for tolls. Broadcast companies like Fox, CNN, ABC, CBS, NBC, and others use VSATs for remote news gathering and reporting. A good example of an RO VSAT is the settop box receiver used by consumers for Direct Broadcast Satellite (DBS) TV reception.

19-5 Satellite Applications

Every satellite is designed to perform some specific task. Its predetermined application specifies the kind of equipment it must have onboard and its orbit. Although the emphasis on satellites in this chapter is communication, satellites are useful for observation purposes.

Communication Satellites

The main application for satellites today is in communication. Satellites used for this purpose act as relay stations in the sky. They permit reliable long-distance communication worldwide. They solve many of the growing communication needs of industry and government. Communication applications will continue to dominate this industry.

The primary use of communication satellites is in long-distance telephone service. Satellites greatly simplify long-distance calls not only within but also outside the United States.

Another major communication application is TV. page 703
For years, TV signals have been transmitted through satellites for redistribution. Because of the very high-frequency signals involved in TV transmission, other long-distance transmission methods are not technically or economically feasible. Special coaxial cables and fiber-optic cables as well as microwave relay links have been used to transmit TV signals from one place to another. However, with today's communication satellites, TV signals can be transmitted easily from one place to another. All the major TV networks and cable TV companies rely on communication satellites for TV signal distribution.

Direct Broadcast Satellite (DBS). A satellite TV service is the *direct broadcast satellite (DBS)* that uses special broad U.S. coverage satellites with high power to transmit cable-TV-like services direct to homes equipped with the special DBS receivers.

Direct broadcast satellite (DBS) service

The DBS *system* is an all-digital system. Data compression techniques are used to reduce the data rate to produce high-quality picture and sound.

To receive the digital video from the satellite, a consumer must subscribe to one of the two U.S. satellite TV companies, DirecTV or DISH, and acquire a satellite TV receiver and antenna. These satellite receivers operate in the K_u band. By using high frequencies as well as higher-power satellite transponders, the dish antenna can be extremely small. The antennas are only 18 inches in diameter. Several DirecTV and DISH satellites are in orbit. These multichannel systems provide full coverage of the major broadcast and cable networks and the premium channels usually distributed to homes by cable TV. While DBS TV still exists, a huge number of subscribers have abandoned it and cable TV for streaming video via the Internet.

The video to be transmitted is first put into digital form if it is not already digital. The digital bit stream for high-definition TV today can be as high as 270 Mbps. To lower the data rate and improve the reliability of transmission, the DBS system uses compressed digital video. Older systems use MPEG2 compression, but newer systems use the more efficient MPEG4. (*MPEG* means *Motion Picture Experts Group*, which is a standards organization that establishes technical standards for movies and video.) Digital compression greatly reduces the actual transmitting speed to somewhere in the 20- to 30-Mbps range. This allows the

satellite to transmit up to about 200 channels using a TDM format.

The compressed serial digital signal is then encrypted to prevent nonsubscribers from decoding the signals. Next the signals are subjected to forward error correction. Both Reed-Solomon and Viterbi FEC are used to ensure reliable reception and a low BER. The final signal modulates the uplink carrier using QPSK.

The DBS satellite uses the K_u band with a frequency range of 11 to 14 GHz. Uplink signals are usually in the 14- to 14.5-GHz range, and the downlink usually covers the range of 10.95 to 12.75 GHz.

Finally, the digital signal is transmitted from the satellite to the receivers using circular polarization. The DBS satellites have right-hand and left-hand circularly polarized (RHCP and LHCP) helical antennas. By transmitting both polarities of signal, frequency reuse can be incorporated to double the channel capacity.

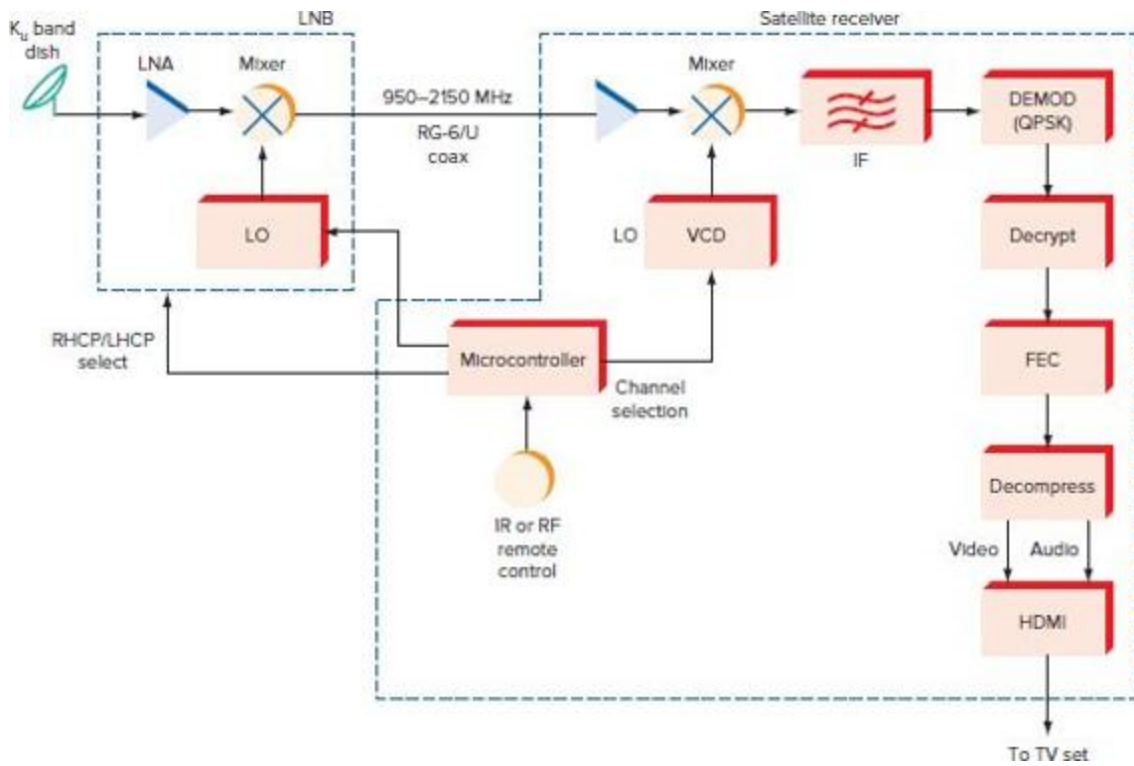


Comstock Images/Alamy stock Photo

A generic block diagram of a representative DBS digital receiver is shown in Fig. 19-17. The receiver subsystem begins with the antenna and its low-noise block (LNB) down-converter. The LNB includes an LNA, a mixer, and a local oscillator that form the remote front-end of the receiver. An integrated unit including the feedhorn is designated LNBF. The horn antenna picks up the K_u band signal reflected from the parabolic dish, and the LNB translates a wide portion of the band down to the 950- to 2150-MHz range. This approach eliminates the need to send the K_u band signals over a coax cable, which would have enormous attenuation. Control signals from the receiver to the antenna select between RHCP and LHCP. A control signal from the receiver can also switch the local oscillator frequency for some channel-change operations. The RF signal from the antenna

and LNB is sent by coaxial cable to the receiver. The type of cable used is usually RG-6/U.

Figure 19-17 A generic DBS receiver.



A typical DBS downlink signal occurs in the 12.2- to 12.7-GHz portion of the K_u band. Each transponder has a bandwidth of approximately 24 MHz. The digital signal usually occurs at a rate of approximately 27 Mbps. The signal is transmitted as a series of packets, each with both video and audio segments, channel identification, encryption type, and FEC.

The signal received over the coax is passed through another mixer with a variable-frequency local oscillator to provide channel selection. The digital signal at the second IF at 70 or 480 MHz is then demodulated to recover the originally transmitted digital signal. The signal is first decrypted and passed through an FEC circuit. This circuit is designed to detect bit errors in the transmission and to

correct them on the fly. Any bits lost or obscured by noise during the transmission process are usually caught and corrected to ensure a near-perfect signal.

The resulting error-corrected signals are then sent to the audio and video decompression circuits. Then they are stored in random access memory (RAM), after which the signal is decoded to separate it into the video and the audio portions. The formatted digital signals are then sent to the TV receiver over a high-definition multimedia interface (HDMI) cable. Older systems sent the digital signals to D/A converters, which modulate a channel 3 or 4 RF modulator that sends the older analog format signals to the TV set antenna terminals.

Most newer DBS receivers also include a digital video recorder (DVR), a feature that lets the consumer record the program being viewed or a program on another channel. The DVR uses a computer hard drive for storage. The system is programmable so that a consumer can record future shows on any channel at any time. Most systems permit a single antenna to serve multiple receivers with splitters. Also, some receivers permit multiple recordings from several channels. Receivers may also communicate with the satellite provider over a standard telephone line or an Internet connection.

Internet Access. Many people throughout the page 705 world do not have Internet access. These may include inhabitants of poor remote countries with difficult terrain or who just live in an unfortunate location of the globe, for example. However, it also includes those in remote areas of the United States. Many small towns and rural areas of the country just do not have the characteristics that will support a profitable Internet service provider. This lack of a basic service such as Internet service has the government exploring ways to make this essential service available to everyone. Many think that a satellite

system will work although there are multiple efforts that hope to solve this problem.

The most favored solution is a large network of low earth orbits (LEOs) orbiting the world. One company that made the attempt is OneWeb, which built a network of 74 LEO satellites and 22 ground stations to deliver up to 400 Mbps Internet access with a latency of 32 ms. However, OneWeb recently filed for bankruptcy so its future is uncertain. As of time of publication, Amazon and SpaceX announced plans to put thousands of small LEO satellites in orbit to cover the earth for accessing a satellite. The satellite network would be a mesh where each satellite is a repeater that can connect with any other nearby satellite to relay content from satellite to satellite until the content can reliably be downlinked to an earth station gateway that provides the Internet connection.

The plan for SpaceX's network, called Starlink, consists of thousands of LEO satellites in the 200- to 900-mile range. These satellites would use the Ka and Ku bands with phased arrays. Several hundred have already been launched. Amazon's plan is similar. Called Kulper, this is another LEO network with over 3000 small satellites for Internet access.

The FCC has issued licenses to the companies involved and some initial satellites have been put into orbit to test the systems. With so many satellites in LEO paths, some fear collisions and other interference issues could negate the benefits of the systems. The overall intent of the plan is good, but there obviously are some unintended consequences to be debated and studied.

Satellite Cell Phones. A common satellite application today is satellite-based cellular telephone service. Current cellular telephone systems rely on many low-power, ground-based cells to act as intermediaries between the standard telephone system and the millions of roving cellular telephones. The satellite systems use LEO satellites to

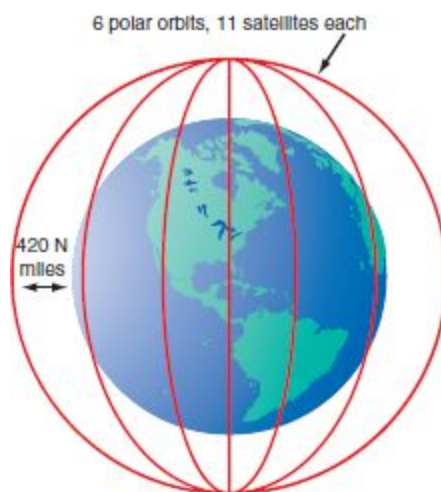
perform the relay services to the main telephone system or to make connection directly between any two cellular telephones using the system.

One of the oldest and most widely used is the *Iridium system*. It uses a constellation of 66 satellites in six polar orbits with 11 satellites per orbit 420 mi above the earth (refer to Fig. 19-18). The satellites operate in the L band over the frequency range of 1.61 to 1.6265 GHz. The satellites communicate with ground stations called *gateways* that connect the system to the public switched telephone network. The satellites also communicate among themselves. Both gateway and intersatellite communication takes place over K_u band frequencies. The system provides truly global coverage between any two handheld cellular telephones or between one of the cellular telephones and any other telephone on earth.

Iridium system

Gateways

Figure 19-18 The Iridium satellite cellular telephone system.



Each satellite in the system transmits back to the earth, creating 48 spot beams that in effect form moving cell areas of coverage. The spot beams provide spatial separation to

permit more than one satellite to use the same frequencies for simultaneous communication. Frequency reuse makes efficient use of a small number of frequencies.

Transmission is effected by digital techniques. A special form of QPSK is used for modulation. *Time-division multiple access (TDMA)*, a special form of time-division multiplexing, is used to provide multiple voice channels per satellite.

Time-division multiple access (TDMA)

In addition to voice communication, Iridium will be able to provide a whole spectrum of other communication services including

- 1. Data communication** E-mail and other computer communication.
- 2. Fax** Two-way facsimile.
- 3. Paging** Global paging to receivers with a two-line alphanumeric display.
- 4. Radio Determination Services (RDSs)** A subsystem that permits satellites to locate transceivers on the earth. Accuracy is expected to be within 3 mi.

Next to Iridium, Globalstar is the most widely page 706 used. This LEO system uses 44 satellites in orbits inclined 52° and CDMA for voice and data communication. Their 24 ground stations are placed for worldwide coverage. Another worldwide satellite system is INMARSAT. INMARSAT, one of the oldest satellite services companies, has served the marine industry for decades. They use 13 geostationary satellites to provide worldwide coverage. There are several smaller companies offering satellite phone service using geosynchronous satellites.

Satellite phones are expensive because they require higher power to reach the satellites hundreds or thousands of miles away. Higher power also calls for larger batteries. All satellite phones also have a large antenna. And all calls

must be made outside so the phone can “see” the satellite. Indoor calls do not work.

Digital Satellite Radio

One of the most popular options in new cars and trucks is *digital satellite radio*. This service provides hundreds of channels of music, news, sports, and talk radio primarily to car portable and home radios. Conventional AM and FM radio stations cover only short distances and are subject to local and even national radio propagation effects. As you are traveling by car or truck, radio stations come and go every 40 mi or so. And if you are driving in the rural areas of the United States, you may not get any station. This is not so with satellite radio, which provides full continuous coverage of the station you select wherever you are in the United States. The system uses digital transmission techniques that ensure high-quality stereo sound that is immune to noise. Furthermore, the digital format allows the satellites to transmit other information such as song title and artist, type of music, ads, and other data, which are displayed on an LCD screen.

Digital satellite radio or digital audio radio service (DARS)

Two such systems in the United States are XM Satellite Radio and Sirius Satellite Radio. These were two separate companies initially, but they have now merged to form Sirius XM Radio. The two satellite systems are still separate and different. XM Satellite Radio uses three geosynchronous satellites, named *Rock*, *Roll*, and *Rhythm*, positioned to cover the continental United States. The Sirius Satellite Radio system uses three elliptical-orbit satellites. Each satellite appears over the United States for approximately 16 h/day. One satellite is always available for coverage anywhere in the United States. Both the XM and Sirius systems use digital audio compression and time division

multiplexing to put hundreds of different “channels” on the air. Both systems operate in the 2.3-GHz S band.

XM and Sirius generate their programming as do other radio stations, and then they up-link their digitized signals to the satellites. The satellites provide the continuous coverage to vehicles on the road and homes in the United States.

The microwave receivers are mounted in cars as page 707 are other car radios, but they require a special outside antenna for optimum reception. Typically, the unit also contains standard AM and FM receiver capability. These satellite digital radios are available as an option in most new cars, and several manufacturers are offering aftermarket add-on radios for existing vehicles. Home and portable units are also available.

Surveillance Satellites

Surveillance satellite

Another application of satellites is in surveillance or observation. From their vantage point high in the sky, satellites can look at the earth and transmit what they see to ground stations for a wide variety of purposes. For example, military satellites are used to perform reconnaissance. Onboard cameras take photographs that can later be ejected from the satellite and brought back to the earth for recovery. TV cameras can take pictures and send them back to the earth as electric signals. Infrared sensors detect heat sources. Small radars can profile earth features.

Intelligence satellites collect information about enemies and potential enemies. They permit monitoring for the purpose of proving other countries’ compliance with nuclear test ban and missile stockpile treaties.

There are many different kinds of observation satellites. One special type is the meteorological, or weather, satellite. These satellites photograph cloud cover and send back to earth pictures that are used for determining and predicting the weather. Geodetic satellites photograph the earth for the purpose of creating more accurate and more detailed maps.

Satellite Issues

As of 2020, about 5000 satellites of all types were in orbit. The LEOs for Internet access should increase that by an amazing amount in the near future depending on how the satellite Internet access business evolves. NASA tracks all satellites just to know who is doing what in space. One concern is that astronomers have reported and claimed that the many LEOs in space are reflecting light and interfering with the study of the real night sky.

Another issue is satellite safety. Satellites are one of the most vulnerable assets owned by the military. The loss of a military communications or navigation satellite is a major disaster. Studies continue on how to protect these satellites or how to compromise, damage, or even shoot down any enemy satellites. The recently formed U.S. Space Force will no doubt be involved in that effort.

19-6 Global Navigation Satellite Systems

Global Navigation Satellite System (GNSS) refers to the multiple satellite systems used for worldwide navigation. The original GNSS was the U.S.'s Global Positioning System and still is the most widely used across the globe. Other countries now have separate systems; these will be

discussed later in this section. The *Global Positioning System (GPS)*, also known as Navstar, is a satellite-based navigation system that can be used by anyone with an appropriate receiver to pinpoint her or his location on the earth. The array of GPS satellites transmits highly accurate, time-coded information that permits a receiver to calculate its exact location in terms of the latitude and longitude on earth as well as the altitude above sea level.

Global Positioning System (GPS) or Navstar

GPS was developed by the U.S. Air Force for the Department of Defense as a continuous global radio navigation system that all elements of the military services would use for precision navigation. Development was started in 1973, and by 1995, the system was fully operational.

The GPS Navstar system is an *open navigation system*; i.e., anyone with a GPS receiver can use it. The system is designed, however, to provide a base navigation system with a horizontal accuracy to within 3 m. This precision is available to any GPS user. As a result, GPS is gradually replacing older military systems and civilian land-based navigation systems.

Open navigation system

The GPS is an excellent example of a modern satellite-based system and the high-technology communication techniques used to implement it. Learning about GPS is an excellent way to bring together and illustrate the complex concepts presented in this chapter and previous chapters.

Most GPS receivers in use are contained within a smartphone, some tablets, and in the dashboard navigation systems in cars and trucks.



Aleksey Boldin/123RF

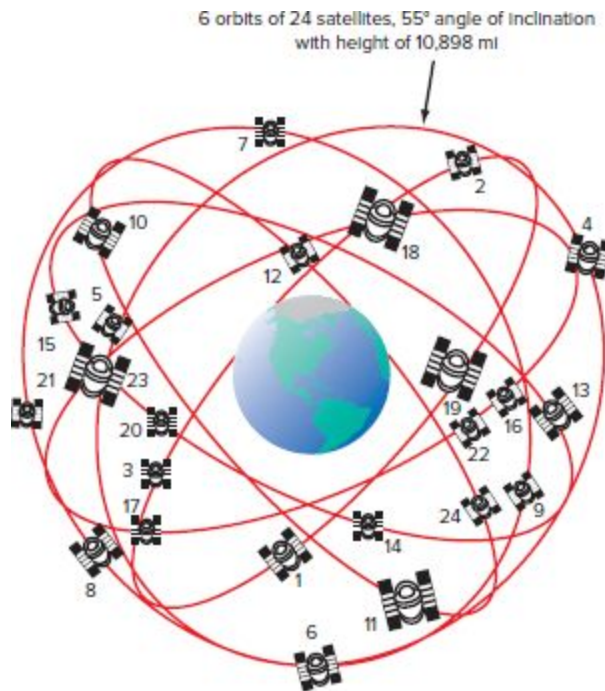
The GPS consists of three major segments: the space segment, the control segment, and the user segment.

Space Segment

The *space segment* is the constellation of satellites orbiting above the earth with transmitters that send highly accurate timing information to GPS receivers on earth. The receivers in the user segment themselves may be used on land, sea, or air.

Space segment

The fully implemented GPS consists of 24 main operational satellites plus multiple active spare satellites (see Fig. 19-19). The satellites are arranged in six orbits, each orbit containing three or four satellites. The orbital planes form a 55° angle with the equator. The satellites orbit at a height of 10,898 nautical miles above the earth (20,200 km). The orbital period for each satellite is approximately 12h (11 h 58 min).



Each of the orbiting satellites contains four highly accurate atomic clocks. They provide precision timing pulses used to generate a unique binary code, i.e., a pseudorandom code identifying the specific satellite in the constellations that is transmitted to the earth. The satellite also transmits a set of digitally coded ephemeris data that completely defines its precise orbit. The term *ephemeris* is normally associated with specifying the location of a celestial body. Tables have been computed so that it is possible to pinpoint the location of planets and other astronomical bodies at precise locations and times. Ephemeris data can also be computed for any orbiting body such as a satellite. This data tells where the satellite is at any given time, and its location can be specified in terms of the satellite ground track in precise latitude and longitude measurements. Ephemeris information is coded and transmitted from the satellite, providing an accurate indication of the exact position of the satellite above the earth at any given time. The satellite's ephemeris data is

updated once a day by the ground control station to ensure accuracy.

A GPS receiver on the earth is designed to pick up signals from three, four, or more satellites simultaneously. The receiver decodes the information and, using the time and ephemeris data, calculates the exact position of the receiver. The receiver contains a high-speed, floating-point microcomputer that performs the necessary calculations. The output of the receiver is binary coded latitude and longitude as well as altitude. Readings from only three satellites are necessary for latitude and longitude information only. A fourth satellite reading is required to compute altitude. Most GPS receivers now include software that produces a detailed map display on a color LCD. Most GPS receivers are inside smartphones.

Each GPS satellite carries two transmitters that together transmit the timing and location signals to the earth receivers. One of the transmitters sends a signal called L1 on 1575.42 MHz. The signal transmitted is a *pseudorandom code (PRC)* called the *coarse acquisition (C/A)* code. It is transmitted at a 1-Mbps rate using BPSK. It repeats every 1023 bits. The C/A code is like the pseudorandom codes used in spread spectrum in that they are used to distinguish between transmitted signals at the receiver. All 24 GPS satellites transmit on the same frequency, but the PRC is unique to each satellite so that the receiver can tell them apart.

Each satellite also contains another transmitter on a frequency of 1227.6 MHz. This is called the L2 signal. It contains another PRC known as the P code transmitted at a 10-Mbps rate. The P code can also be encrypted, and in this form it was called the Y code. The P and Y codes were originally designed for use by only the military, so that military GPS receivers would be more accurate than the civilian (or enemy) receivers, which receive only L1 signal. This feature was called *selective availability (SA)*. The SA

feature was abandoned on May 1, 2000. Today all receivers pick up both signals, enabling all receivers to have an accuracy that identifies the location to within 7.8 m at a 95 percent confidence level.

Selective availability (SA)

The basic information contained in the L1 signal consists of almanac data, ephemeris data, and the current date and time. The almanac data effectively notifies each receiver of where each satellite is during the day. The almanac data helps the receiver to initially lock onto a signal. The ephemeris data contains the exact position and timing of each satellite. It is this data that the receiver uses in the calculations to pinpoint its location. The time and date signal comes from the atomic clocks carried by each satellite.

Like all other satellites, GPS satellites contain a TT&C unit that is used by the ground stations to transmit updated ephemeris data and to make sure the satellite is in its exact position. Small thrusters fired from the ground allow the ground stations to correct minor drift that introduces errors into the measurements.

Control Segment and Atomic Clocks

page 710

The *control segment* of the GPS refers to the various ground stations that monitor the satellites and provide control and update information. The master control station is operated by the U.S. Air Force in Colorado Springs. Additional monitoring and control stations are located in Hawaii, Kwajalein, Diego Garcia, and the Ascension Islands. These four monitoring stations are not staffed. They constantly monitor the satellites and collect range information from each. The positions of these monitoring stations are

accurately known. The information is sent back to the master control station in Colorado, where all the information is collected and position data on each satellite calculated. The master control station then transmits new ephemeris and clock data to each satellite on the S-band uplink once per day. This data updates the NAV-msg or navigation message, a 50 bps signal that modulates the L1 carrier and contains bits that describe the satellite orbits, clock corrections, and other system characteristics.

Control segment

The telemetry data transmitted as part of the NAV-msg is also received by the ground control station to keep track of the health and status of each receiver. The uplink S-band control system allows the ground station to do some station keeping to correct the satellite position as needed. Positioning is accomplished with the hydrazene thrusters.

The GPS has been in use for 25 years. During that time, all of the satellites have been replaced. The early satellites had a life span of about 5 years. When these satellites died, they were replaced with newer models with a longer life of 7.5 years or so. These in turn have also been replaced with improved satellites with a life expectancy of 15 years or more. All subsystems have been continuously updated but retain backward compatibility to permit older receivers to function. The current constellation of 24 satellites is a mix of some older satellites and some new ones. As usual, there are about five spare satellites in nearby orbits that can be called up to replace an existing satellite that dies or malfunctions. The GPS system has become an essential service to so many people and organizations that failure and lack of service is not an option. The U.S. Air Force continues to provide the routine control and service for the system.

Atomic Clocks. The precision timing signals are derived from atomic clocks. Most digital systems derive their timing

information from a precision crystal oscillator called a *clock*. Crystal oscillators, although precise and stable, do not have the necessary precision and stability for the GPS. Timing data must be extremely precise to provide accurate navigation information.

Atomic clocks are electronic oscillators that use the oscillating energy of a gas to provide a stable operating frequency. Certain chemicals have atoms that can oscillate between low and high energy levels. This frequency of oscillation is extremely precise and stable.

Atomic clock

Cesium and rubidium are used in atomic clocks. In gaseous form, they are irradiated by electromagnetic energy at a frequency near their oscillating point. For cesium, this is 9,192,631,770 Hz; for rubidium, it is 6,834,682,613 Hz. This signal is generated by a quartz crystal-controlled oscillator whose frequency can be adjusted by the application of a control voltage to a varactor. The oscillation signal from the cesium (or rubidium) gas is detected and converted to a control signal that operates the oscillator. An error detector determines the difference between the crystal frequency and the cesium oscillations and generates the control voltage to set the crystal oscillator precisely. The output of the crystal oscillator is then used as the accurate timing signal. Frequency dividers and phase-locked loops are provided to generate the lower-frequency signals to be used. These signals operate the C/A and P code generators.

The GPS satellite contains two cesium clocks and two rubidium clocks. Only one is used at any given time. The clocks are kept fully operational so that if one fails, another can be switched in immediately.

A *GPS receiver* is a complex superheterodyne microwave receiver designed to pick up the GPS signals, decode them, and then compute the location of the receiver. The output is usually an LCD display giving latitude, longitude, and altitude information and/or a map of the area.

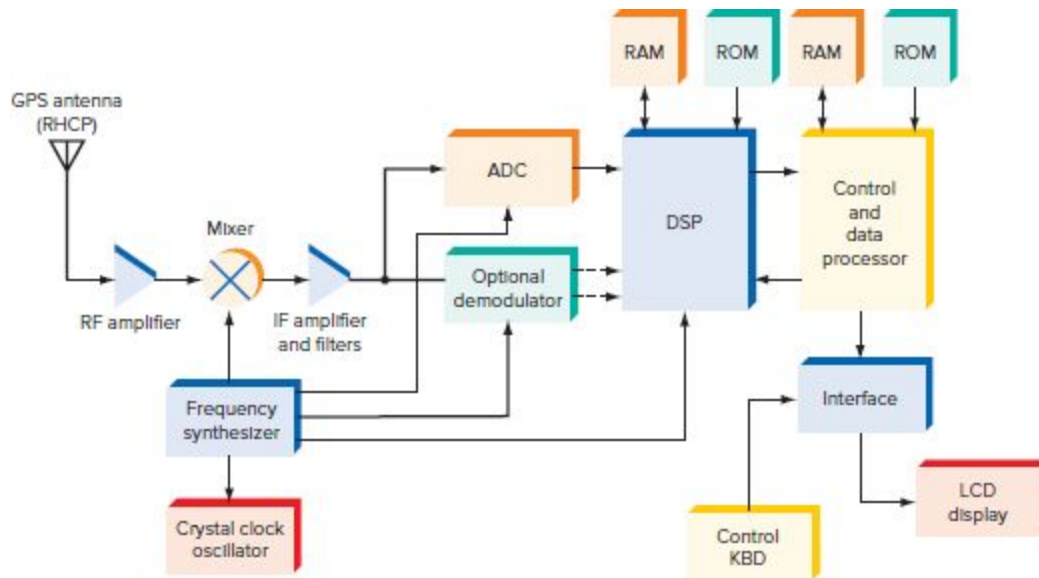
GPS receiver

There are many different types of GPS receivers. More than 40 manufacturers now make some form of GPS receiver. The larger and more sophisticated units are used in military vehicles. There are also sophisticated civilian receivers for use in various kinds of precision applications such as surveying and mapmaking. Different models are available for use in aircraft, ships, and trucks. Handheld units are also available.

The most widely used GPS receiver is the popular handheld portable type, not much larger than an oversized handheld calculator. Most of the circuitry used in making a GPS receiver has been reduced to integrated-circuit form, thereby permitting an entire receiver to be contained in an extremely small, portable battery-operated unit. Keep in mind that all GPS receivers are not only superheterodyne communication receivers but also sophisticated computers. A considerable amount of high-level mathematics must be carried out to compute the receiver position from the received data.

Fig. 19-20 is a general block diagram of a GPS receiver, typical of the simpler, low-cost handheld units on the market. The receiver consists of the antenna, the RF/IF section, the frequency standard clock oscillator, and a frequency synthesizer that provides local-oscillator signals as well as clock and timing signals for the rest of the receiver.

Figure 19-20 A GPS receiver.



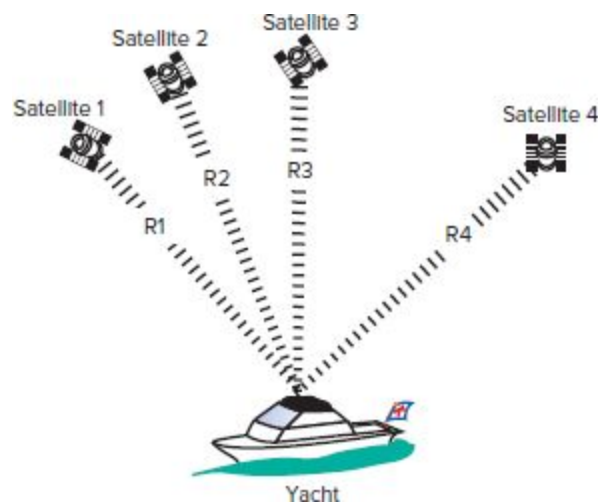
Other sections of the receiver include a digital signal processor and a control microcomputer along with its related RAM and ROM. Interface circuits provide connection to the LCD or other type of display.

The antenna system is a type of patch antenna made on a printed-circuit board. It is designed to receive RHCP signals from the GPS satellites. In the handheld units, the antenna is part of the single physical structure and is connected directly to the receiver front end. In some larger and more complex GPS receivers, the antenna is a separate unit and may be mounted at a high clear point and connected to the receiver with coaxial cable.

The receiver can determine its exact position only page 712 by computing the position information obtained from four satellites. The receiver picks up signals from four satellites simultaneously (see Fig. 19-21). R1 through R4 are the ranges to the satellites from the yacht. Because spread spectrum is used, the receiver ignores all the signals except the one whose pseudocode has been entered and used to obtain lock. Once the receiver locks on the one satellite, all the information is extracted from the satellite. Then the C/A code is switched to another satellite within view, and the

process is repeated. In other words, the receiver performs a time multiplexing operation on the four satellites within view of the receiver. The data is extracted from each of the four satellites and stored in the receiver's memory. Data from three satellites is needed to fix the receiver's position. If data from a fourth satellite is available, altitude can be calculated.

Figure 19-21 Navigating with the GPS.



Once all the data has been accumulated, the high-speed control and data microprocessor in the receiver performs the final calculations. The microprocessor is typically a 16-bit unit with floating-point capability. Floating-point numbers must be used to provide the precision of calculation for accurate location.

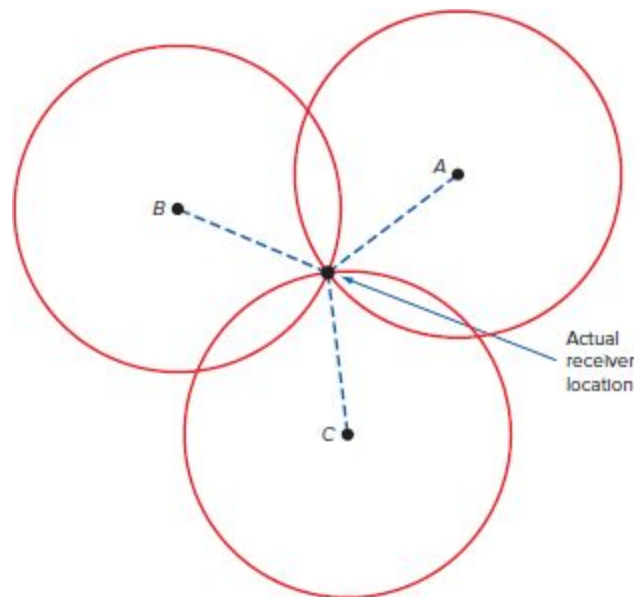
GPS TRIANGULATION

The determination of the location of a GPS receiver is based on measuring the distance between the receiver and three satellites. The distance is determined by measuring the time of arrival of the satellite signals and then computing distance based on the speed of radio waves, with correction factors. See Fig. 19-22. Assume three satellites *A*, *B*, and *C*. The receiver first computes the distance from the receiver to satellite *A*. Note that the distance from *A* is on a circle that falls on a wide range of locations on earth.

Then the receiver calculates the distance to satellite *B*. That distance is defined along another circle. The two circles intersect at two points. One of those is the exact location, but we don't know which until we get a third satellite reading. The distance from satellite *C* intersects with the other circles at only one point. That is the location of the receiver.

Now, mentally translate each circle to a sphere. Then you can see how the signals really come together. Using a fourth satellite gives a fourth intersection point that enables the altitude to be determined.

Figure 19-22 How triangulation works to locate a GPS receiver.



The computations performed by the receiver page 713 follow. First the receiver calculates the ranges R_1 through R_4 to each of the four satellites. These are obtained by measuring the time shift between the received pulses, which is the delay in transmission between the satellite and the receiver. These are the T_1 through T_4 times given below. Multiplying these by the speed of light c gives the range in meters between the satellite and the receiver. These four range values are used in the final calculations:

$$R1 = c \times T_1$$

$$R2 = c \times T_2$$

$$R3 = c \times T_3$$

$$R4 = c \times T_4$$

The basic ranging calculation is the solution to four simultaneous equations, as indicated in Fig. 19-23. The X , Y , and Z values are derived from the NAV-msg data transmitted by each of the satellites. The C_B is the clock bias. Because there is a difference between the clock frequency in the receiver and the clock in the satellites, there will be some difference called the *bias*. However, by factoring the clock error into the equations, it will be canceled out.

Figure 19-23 The equations solved by the GPS receiver.

Compute position coordinates
(four equations with four unknowns)

$$(X_1 - U_X)^2 + (Y_1 - U_Y)^2 + (Z_1 - U_Z)^2 = (R_1 - C_B)^2$$
$$(X_2 - U_X)^2 + (Y_2 - U_Y)^2 + (Z_2 - U_Z)^2 = (R_2 - C_B)^2$$
$$(X_3 - U_X)^2 + (Y_3 - U_Y)^2 + (Z_3 - U_Z)^2 = (R_3 - C_B)^2$$
$$(X_4 - U_X)^2 + (Y_4 - U_Y)^2 + (Z_4 - U_Z)^2 = (R_4 - C_B)^2$$

Solve for position coordinates
(U_X , U_Y , U_Z) and clock bias (C_B)

The goal of the microprocessor is to solve for the page 714 user position, designated U_X , U_Y , and U_Z in the equations. Once the calculation has been made, the microprocessor converts that information to the latitude, longitude, and altitude data, which is displayed on the LCD screen. The receiver display also shows the time of day, which is highly precise because it is derived from the atomic clocks in the satellites.

GPS Applications

The primary application of GPS has been military and related navigation. GPS is used by all services for ships, aircraft of all sorts, and ground troops. Civilian uses have also increased dramatically and are now the dominant application. The availability of many low-cost portable receivers made GPS a must-have consumer product. However, these receivers have diminished in use as most smartphones today contain a GPS receiver with a mapping output. In addition, many automobiles include a dashboard-mounted GPS navigation system. Most civilian applications involve navigation, which is usually by car but also occasionally marine- or aviation-related. Hikers and campers and other outdoors sports enthusiasts also use GPS.

GOOD TO KNOW

The GPS was first widely used in Operation Desert Storm with much success. Nonmilitary applications of this system involve navigation, surveying, mapmaking, and vehicle tracking devices.

Commercial applications include surveying, mapmaking, and construction. Vehicle location is a growing application for trucking and delivery companies, taxi, bus, and train transportation. Police, fire, ambulance, and forest services also use GPS. GPS-based navigation systems are now widely available as accessories in cars to provide a continuous readout of current vehicle location.

GPS is finding new applications every day. For instance, it is used to keep track of fleets of trucks. A GPS receiver in each truck transmits its position data by way of a wireless connection, such as a wireless local-area network or cell phone. Many automotive companies offer GPS tracking systems so that help can be provided to those in an emergency situation. General Motors' OnStar system is an example. Most smartphones contain a GPS receiver that automatically reports the location of the user if he or she

makes a 911 call. Called Enhanced 911 service (E911), this feature is one that all cell phone companies must provide. While most location-based services will be used for 911 calls, eventually other location services may be developed for cell phones. Not all cell phones use GPS. Some use a unique triangulation method based on the cell phone being able to be in touch with at least three cell sites.

An Air Force major using the Global Positioning System satellites.



Source: The U.S. National Archives

Worldwide GNSS

page 715

The success of GPS encouraged other countries to build their own GNSS. Over the years, several similar systems have been deployed. The largest is Russia's GLONASS. It was initially functional in 1995 and was updated and restored in 2011. It too uses 24 satellites at a height of

11,890 miles. Operational frequencies are 1.602 GHz and 1.246 GHz.

China uses its own system, called COMPASS. It is an expansion of its regional system called BeiDou. It is made up of 30 satellites at an altitude of 13,140 miles and five geostationary satellites. It also uses L-band frequencies of 1.561098, 1.589742, 1.20714, and 1.26852 GHz.

The European Union (EU) built its own system, called Galileo. It uses a total of 30 satellites at a height of 14,430 miles. The system is expected to be more accurate than GPS. It uses L-band frequencies of 1.164–1.215 GHz, 1.26–1.3 GHz, and 1.559–1.592 GHz.

India also plans its own GNSS, called the Indian Regional Navigation Satellite System (IRNSS). It will use seven geostationary satellites, for coverage mainly around India and the surrounding area. Japan is building a three-satellite system called the Quasi-Zenith Satellite System (QZSS) that is a supplement to GPS.

Because all the GNSSs use the same basic CDMA signals in the L band, they can complement one another to provide increased accuracy. Many GNSS receivers are capable of receiving both GPS and one or more other GNSS signals, and combining them for improved precision of location.

CHAPTER REVIEW

Online Activity

19-1 Amateur Radio Satellites

Objective: To learn more about amateur radio satellite operation.

Procedure:

1. Search on the terms ham radio satellites, amsat, CubeSats, or similar terms as needed.
2. Answer the questions below.

Questions:

1. What are the common uplink and downlink frequencies used with amateur radio satellites?
2. What is the key piece of equipment needed to make connections through an amateur radio satellite?
3. What modulation methods are normally?
4. What is the period of time a satellite conversation can last? Why?
5. What is a CubeSat?

19-2 Global Positioning System page 716

Objective: To dig deeper into the GPS system.

Procedure:

1. Search on the terms *GPS*, *GPS applications*, *GPS receivers*, and similar terms as needed.
2. Answer the questions below.

Questions:

1. Name three applications of GPS not mentioned in this chapter.
2. Name the most common location of GPS receivers.
3. Can most GPS receivers also receive GLONASS, Galileo, or other GNSS signals?
4. List three manufacturers of GPS receiver integrated circuits.
5. What is the typical receiver sensitivity (dBm) range for a GPS receiver?

6. How could you use a GPS receiver to track another vehicle?

Questions

1. Is a satellite that rotates in the same direction as the earth's rotation said to be in a posigrade orbit or a retrograde orbit?
2. What is the geometric shape of a noncircular orbit?
3. What is the name of the center of gravity of the earth?
4. State the name for the time of one orbit.
5. Define *ascending orbit* and *descending orbit*.
6. State the effects on a satellite signal if the angle of elevation is too low.
7. What do you call a satellite that rotates around the equator 22,300 mi from the earth?
8. Why are small jet thrusters on a satellite fired occasionally?
9. What is the name of the point on the earth directly below a satellite?
10. Name the two angles used to point a ground station antenna toward a satellite.
11. What is the basic function and purpose of a communication satellite? Why are satellites used instead of standard earthbound radio?
12. What element of a satellite system transmits an uplink signal to the satellite?
13. What do you call the signal path from a satellite to a ground station? What is the name of the signal path from the satellite to ground?
14. State the name of the basic communication electronics unit on a satellite. Explain the purpose and operation of the four main elements.
15. What is the most common operational frequency range of most communication satellites?

- 16.** One of the most popular satellite frequency ranges is 4 to 6 GHz. What letter name is given to that range?
- 17.** Military satellites often operate in which frequency band?
- 18.** What is the frequency range of the Ku band? Ka band?
- 19.** What is a satellite transponder?
- 20.** What annoying characteristic of a satellite link limits some timed applications?
- 21.** Name three common baseband signals handled by a satellite.
- 22.** How is power amplification achieved in a transponder?
- 23.** State the physical measurements and characteristics of a CubeSat.
- 24.** What is the name of the circuit that provides channelization in a transponder?
- 25.** What is the main power supply in a satellite?
- 26.** What is used to power the satellite during an eclipse?
- 27.** State the purpose of the TC&C subsystem on a satellite.
- 28.** The signals to be communicated by the earth station to the satellite are known as _____ signals.
- 29.** What does the receiver in a ground station do to the downlink signal before demodulation and demultiplexing?
- 30.** What kind of circuit is often used to replace local oscillators for channel selection in earth station transmitters and receivers?
- 31.** Name the three main types of power amplifiers used in earth stations.
- 32.** Name the four access methods used in satellites. Which is the most widely used?
- 33.** Name the two digital radio satellite services in the United States and state the frequency of operation.
- 34.** What is a VSAT? Where is it used?
- 35.** Give an example of an RO VSAT.

36. What digital technology allows satellites to transmit high-speed video to DBS receivers?
37. What microwave band is used for DBS?
38. What is contained in the LNB converter?
39. Why is the LNB used?
40. What antenna feature permits frequency reuse?

Problems

1. What is the angle of inclination of a satellite that orbits the equator? ♦
2. What standard navigation coordinates are used to locate a satellite in space?
3. How are satellite attitude adjustments made from the ground station? ♦
4. How do GPS receivers distinguish between the different satellite signals all transmitted on the same frequencies?
5. What GPS signal transmits position data? What is the data rate? ♦
6. What microwave band is used by GPS?
7. What is the purpose of using multilevel QAM in a satellite transponder?

♦ *Answers to Selected Problems follow Chap. 23.*

Critical Thinking

1. How is a satellite kept in orbit? Explain the balancing forces.
2. Define the frequency and format of the C/A and P code signals. What is the Y code, and why is it needed?
3. Assume a satellite communication system based upon a highly elliptical polar orbit approximately centered over the Atlantic Ocean. Communication is to be

maintained between a U.S. station and one in the United Kingdom. The frequency of operation is a 435-MHz uplink and 145-MHz downlink. Discuss the type of antennas that might be used for both uplink and downlink. What are the implications—pros and cons—of each type? Will tracking or positioning equipment be needed? If so, for which types of antennas? Will communication ever be interrupted; if so, when?

- 4.** Explain how you can find where you are on the earth if you have a GPS receiver that gives outputs in latitude and longitude.
- 5.** Frequency reuse in a satellite allows two transponders to share a common frequency because the signals are kept from interfering with each other by using different antenna polarizations. How else could frequency reuse be achieved in a given area on earth?
- 6.** List and explain the trade-offs (distance, power, cost, etc.) of a global cell phone system using LEO, MEO, and GEO.
- 7.** Using the approach outlined in Chap. 16 covering antennas and propagation, calculate the uplink path loss for an LEO at 200 mi on 14 GHz and the downlink path loss of a GEO on 9 GHz.

Optical Communication

O*ptical communication systems* use light to transmit information from one place to another. Light is a type of electromagnetic radiation like radio waves. Today, infrared light is being used increasingly as the carrier for information in a communication system. The transmission medium is either free space or a special light-carrying cable called a *fiber-optic cable*. Because the frequency of light is extremely high, it has very wide bandwidth and can accommodate very high rates of data transmission with excellent reliability. This chapter introduces the basic concepts, circuits, and the most widely used optical networking technologies.

Optical communication systems

Fiber-optic cable

Objectives

After completing this chapter, you will be able to:

- Define the terms *optical* and *light*. Name the three main bands of the optical spectrum, and state their wavelength ranges.
- State eight benefits of fiber-optic cables over electrical cables for communication.

- Name six typical communication applications for fiber-optic cable.
- Explain how light is propagated through a fiber-optic cable. Name the three basic types of fiber-optic cables, and state the two materials from which they are made.
- Calculate the transmission loss in decibels of fiber-optic cable and connectors over a distance.
- Name the two types of optical transmitter components and their main operating characteristics.
- Explain the operation of an optical detector and receiver.
- State the nature and frequency range of the infrared band, and name natural and artificial sources of infrared light.
- State the three main methods for achieving 40, 100, and 400 Gbps on fiber.

20-1 Optical Principles

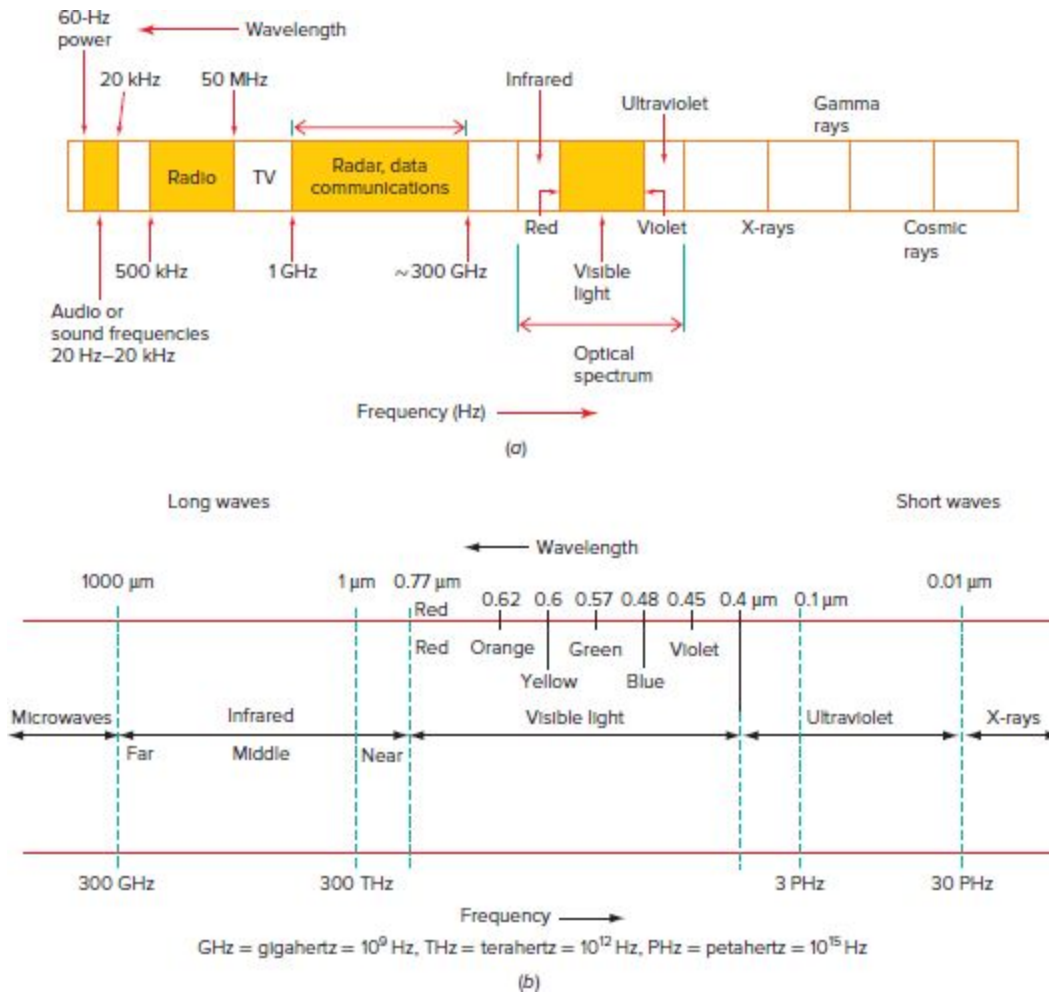
To begin, we review briefly those physics principles that relate directly to optical communication systems and components.

Light

Light, radio waves, and microwaves are all forms of electromagnetic radiation. Light frequencies fall between those of microwaves and X-rays, as shown in Fig. 20-1(a). Radio frequencies range from approximately 10 kHz to 300 GHz. Microwaves extend from 1 to 300 GHz. The range of about 30 to 300 GHz is generally defined as millimeter waves.

Optical spectrum

Figure 20-1 The optical spectrum. (a) Electromagnetic frequency spectrum showing the optical spectrum. (b) Optical spectrum details.



GOOD TO KNOW

Light is rarely referred to in terms of frequency; rather, the wavelength of light is most often measured in meters between peaks of a wave.

Further up the scale is the *optical spectrum*, made up of infrared, visible, and ultraviolet light. The frequency of the optical spectrum is in the range of 3×10^{11} to 3×10^{16} Hz. This includes both the infrared and ultraviolet bands as well as the visible parts of the spectrum. The visible spectrum is from 4.3×10^{14} to 7.5×10^{14} Hz.

We rarely refer to the “frequency of light.” Light is page 720 expressed in terms of wavelength. Recall that *wavelength* is a distance measured in meters between peaks of a wave. It is calculated with the familiar expression

$$\lambda = \frac{300,000,000}{f}$$

where λ (lambda) is the wavelength in meters, 300,000,000 is the speed of light in meters per second, and f is the frequency in hertz. The details of the optical spectrum are shown in Fig. 20-1(b).

Light waves are very short and usually expressed in *nanometers* (nm, one-billionth of a meter) or micrometers (μm , one-millionth of a meter). An older term for *micrometer* is *micron*. *Visible light* is in the 400- to 700-nm range or 0.4 to $0.7 \mu\text{m}$ depending upon the color of the light. Short-wavelength light is violet (400 nm) and red (700 nm) is long-wavelength light.

Nanometer

Micrometer (μm) or micron

Visible light

Another unit of measure for light wavelength is the *angstrom*. One angstrom (\AA) is equal to 10^{-10} m or $10^{-4} \mu\text{m}$. To say it the other way, $1 \mu\text{m}$ equals 10,000 \AA .

Angstrom (\AA)

Right below visible light is a region known as *infrared*. Its spectrum is from 0.7 to $1000 \mu\text{m}$. Sometimes you will hear infrared referred to as *near* or *far infrared*. Near infrared is those frequencies near the optical spectrum and far infrared is lower in frequency near the upper microwave region [see Fig. 20-1(b)].

Infrared spectrum

Right above the visible spectrum is the *ultraviolet range*. The ultraviolet range is above violet visible light, which has a wavelength of 400 nm or $0.4\ \mu\text{m}$ up to about $10^{-8}\ \text{m}$ or $0.01\ \mu\text{m}$ or 10 nm. The higher the frequency of the light, the shorter the wavelength. The primary source of ultraviolet light is the sun. Infrared and ultraviolet are included in what we call the *optical spectrum*.

Ultraviolet range

Speed of Light. Light waves travel in a straight line as microwaves do. Light rays emitted by a candle, lightbulb, or other light source move out in a straight line in all directions. Light waves are assumed to have a spherical wave front as do radio waves. The *speed of light* is approximately 300,000,000 m/s, or about 186,000 mi/s, in free space. These are the values normally used in calculation, but for a more accurate outcome, the actual values are closer to $2.998 \times 10^8\ \text{m/s}$, or 186,280 mi/s.

Speed of light

The speed of light depends upon the medium through which the light passes. The figures given above are correct for light traveling in *free space*, i.e., for light traveling in air or a vacuum. When light passes through another material such as glass, water, or plastic, its speed is slower.

Physical Optics

Physical optics refers to the ways that light can be processed. Light can be processed or manipulated in many ways. For example, lenses are widely used to focus, enlarge, or decrease the size of light waves from some source.

Physical optics

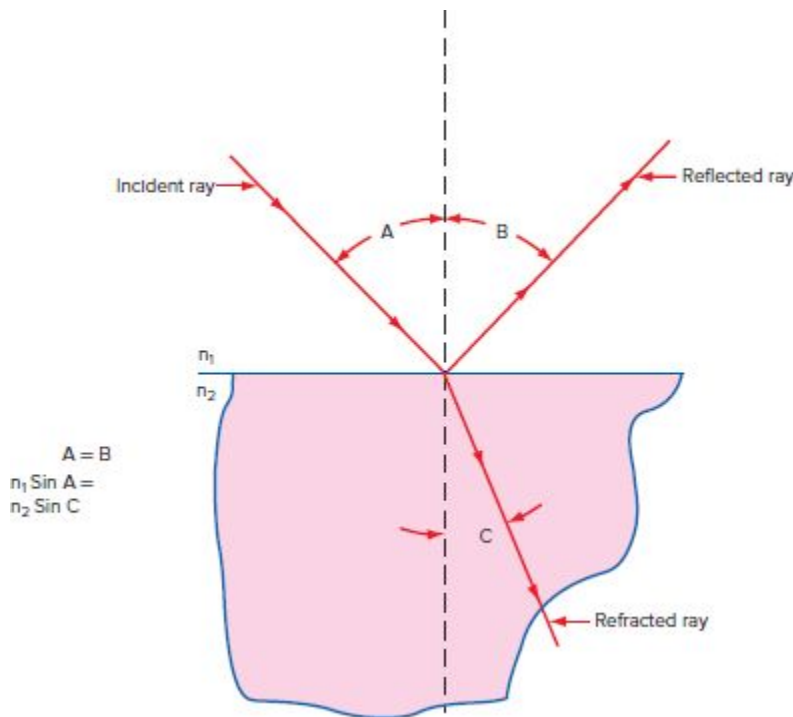
Reflection. The simplest way of manipulating light is to reflect it. When light rays strike a reflective surface, such as

a mirror, the light waves are thrown back or reflected. By using mirrors, the direction of a light beam can be changed.

Reflection

The reflection of light from a mirror follows a simple physical law. That is, the direction of the reflected light wave can be easily predicted if the angle of the light beam striking the mirror is known (refer to Fig. 20-2). Assume an imaginary line that is perpendicular with the flat mirror surface. A perpendicular line, of course, makes a right angle with the surface, as shown. This imaginary perpendicular line is referred to as the *normal*. The normal is usually drawn at the point where the mirror reflects the light beam.

Figure 20-2 Illustrating reflection and refraction at the interface of two optical materials.



If the light beam follows the normal, the reflection will simply go back along the same path. The reflected light ray will exactly coincide with the original light ray.

If the light ray strikes the mirror at some angle A from the normal, the reflected light ray will leave the mirror at the same angle B to the normal. This principle is known as the *law of reflection*. It is usually expressed in the following form: *The angle of incidence is equal to the angle of reflection.*

Law of reflection

The light ray from the light source is usually page 721 called the *incident ray*. It makes an angle A with the normal at the reflecting surface, called the *angle of incidence*. The reflected ray is the light wave that leaves the mirror surface. Its direction is determined by the angle of reflection B , which is exactly equal to the angle of incidence.

Incident ray

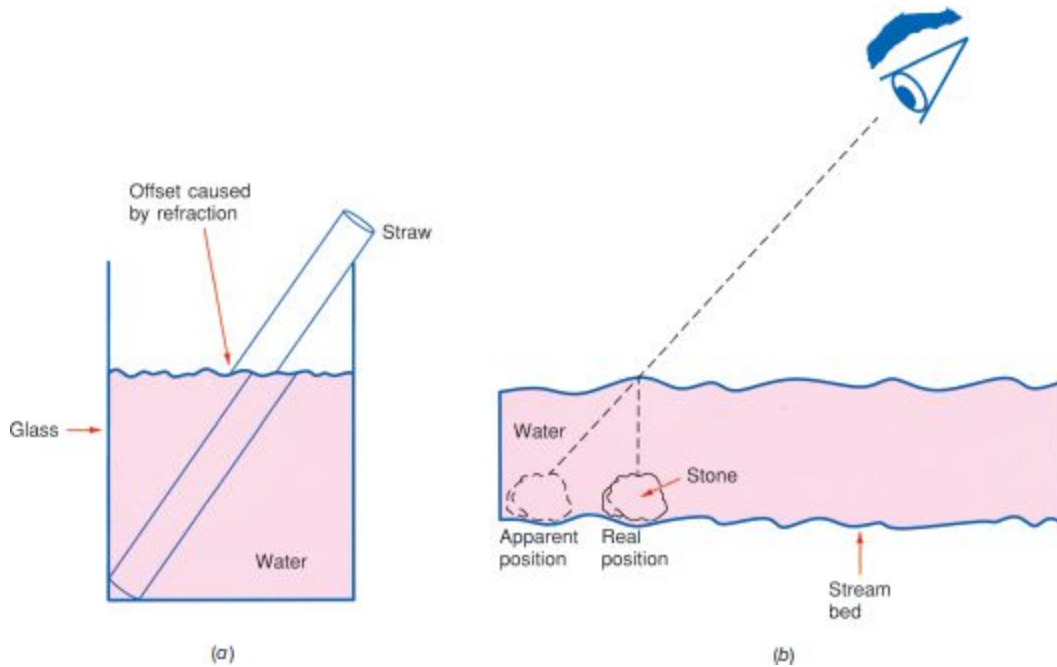
Angle of incidence

Refraction. The direction of the light ray can also be changed by *refraction*, which is the bending of a light ray that occurs when the light rays pass from one medium to another. In reflection, the light ray bounces away from the reflecting surface rather than being absorbed by or passing through the mirror. Refraction occurs only when light passes through transparent material such as air, water, and glass. Refraction takes place at the point where two different substances come together. For example, where air and water come together, refraction will occur. The dividing line between the two different substances or media is known as the *boundary*, or *interface*.

Refraction

To visualize refraction, place a spoon or straw into a glass of water, as shown in Fig. 20-3(a). If you observe the glass of water from the side, it will look as if the spoon or straw is bent or offset at the surface of the water.

Figure 20-3 Examples of the effect of refraction.



GOOD TO KNOW

The simplest way of manipulating light is to reflect it. The direction of reflected light can be predicted by applying the law of reflection: The angle of incidence is equal to the angle of reflection.

Another phenomenon caused by refraction occurs whenever you observe an object under water. You may be standing in a clear stream and observing a stone at the bottom. The rock is in a different position from where it appears to be from your observation [see Fig. 20-3(b)].

The refraction occurs because light travels at different speeds in different materials. The speed of light in free space is typically much higher than the speed of light in water, glass, or other materials. The amount of refraction of the light of a material is usually expressed in terms of the *index of refraction* n . This is the ratio of the speed of light in air to the speed of light in the substance. It is also a function of the light wavelength.

Index of refraction

Naturally, the index of refraction of air is 1, simply because 1 divided by itself is 1. The refractive index of water is approximately 1.3, and that of glass is 1.5.

To get a better understanding of this idea, consider a piece of glass with a refractive index of 1.5. This means that light will travel through 1.5 ft of air, but during that same time, the light will travel only 1 ft through the glass. The glass slows down the light wave considerably. The index of the refraction is important because it tells exactly how much a light wave will be bent in various substances.

When a light ray passes from one medium to [page 722](#) another, the light wave is bent according to the index of refraction. In Fig. 20-2, the incident ray strikes the surface at angle A to the normal but is refracted at an angle C . The relationship between the angles and indices of refractions are

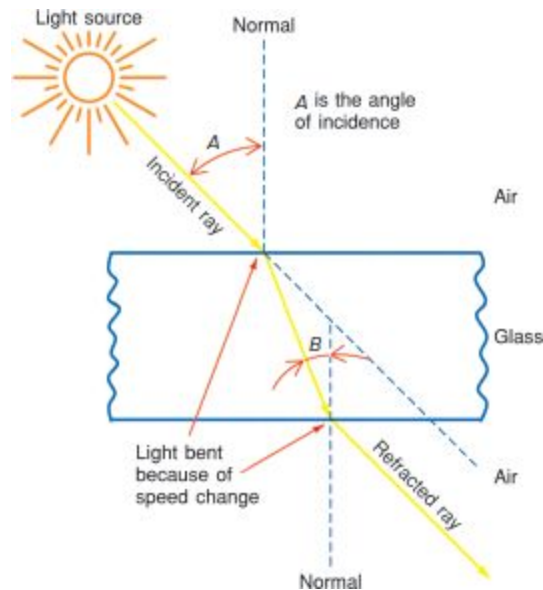
GOOD TO KNOW

The bending of light rays known as refraction occurs because light travels at different speeds in different materials. This phenomenon takes place at the point at which two different substances come together.

$$n_1 \sin A = n_2 \sin C$$

Now refer to Fig. 20-4. A light ray is passing through air. It makes an angle A with the normal. At the interface between the air and the glass, the direction of the light ray is changed. The speed of light is slower; therefore, the angle that the light beam makes to the normal is different from the incident angle. If the index of refraction is known, the exact angle can be determined with the formula given earlier.

Figure 20-4 How light rays are bent when passing from one medium to another.

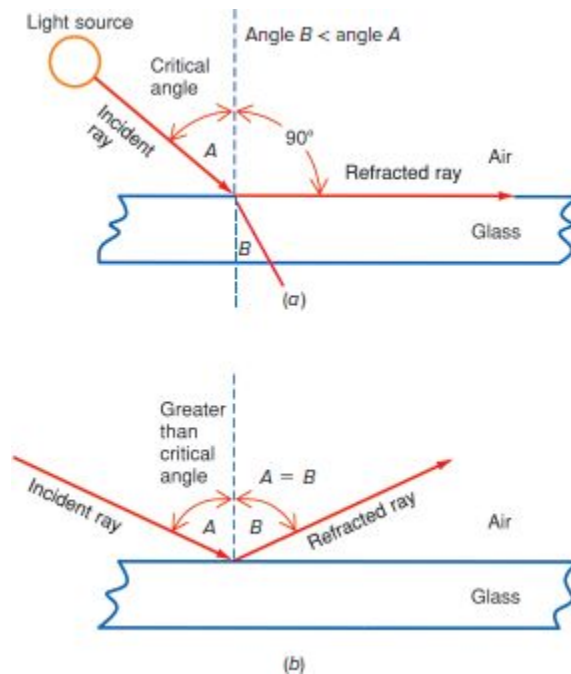


If the light ray passes from the glass back into air, page 723 it will again change direction, as Fig. 20-4 shows. The important point to note is that the angle of the refracted ray *B* is not equal to the angle of incidence *A*.

If the angle of incidence is increased, at some point the angle of refraction will equal 90° to the normal, as shown in Fig. 20-5(a). When this happens, the refracted light ray in red travels along the interface between the air and glass. In this case, the angle of incidence *A* is said to be the *critical angle*. The critical angle value depends on the index of refraction of the glass.

Critical angle

Figure 20-5 Special cases of refraction. (a) Along the surface. (b) Reflection.



If you make the angle of incidence greater than the critical angle, the light ray will be reflected from the interface [see Fig. 20-5(b)]. When the light ray strikes the interface at an angle greater than the critical angle, the light ray does not pass through the interface into the glass. The effect is as if a mirror existed at the interface. When this occurs, the angle of reflection B is equal to the angle of incidence A as if a real mirror were used. This action is known as *total internal reflection*, which occurs only in materials in which the velocity of light is slower than that in air. This is the basic principle that allows a fiber-optic cable to work.

Total internal reflection

20-2 Optical Communication Systems

Optical communication systems use light as the carrier of the information to be transmitted. As indicated earlier, the medium may be free space as with radio waves or a special

light “pipe” or *waveguide* known as *fiber-optic cable*. Both media are used, although the fiber-optic cable is far more practical and more widely used. This chapter focuses on fiber-optic cable.

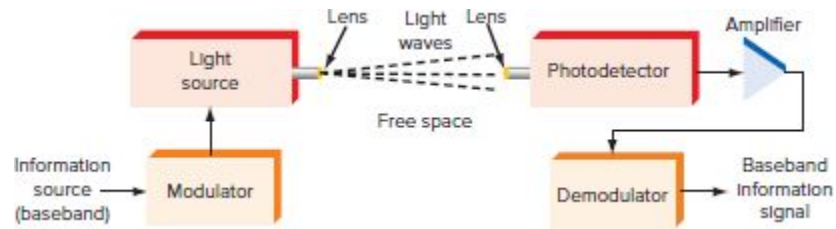
Rationale for Light Wave Communication

The main limitation of communication systems is their restricted information-carrying capabilities. In more specific terms, this means that the communication medium can carry just so many messages. This information-handling ability is directly proportional to the bandwidth of the communication channel. Using light as the transmission medium provides vastly increased bandwidths. Instead of using an electric signal traveling over a cable or electromagnetic waves traveling through space, the information is put on a light beam and transmitted through space or through a special fiber-optic waveguide.

Light Wave Communication in Free Space

Fig. 20-6 shows the elements of an optical communication system using free space. It consists of a light source modulated by the signal to be transmitted, a photodetector to pick up the light and convert it back into an electric signal, an amplifier, and a demodulator to recover the original information signal.

Figure 20-6 Free-space optical communication system.



Light Sources. A transmitter is a light source. Other common light sources are *light-emitting diodes (LEDs)* and lasers. These sources can follow electric signal changes as fast as 100 GHz or more.

Light-emitting diodes (LEDs)

Lasers generate *monochromatic*, or single-frequency, light that is fully *coherent*; i.e., all the light waves are lined up in sync with one another and as a result produce a very narrow and intense light beam.

Modulator. A *modulator* is used to vary the intensity of the light beam in accordance with the modulating baseband signal. *Amplitude modulation*, also referred to as *intensity modulation*, is used where the information or intelligence signal controls the brightness of the light. Analog signals vary the brightness continuously over a specified range. This technique is used in some cable TV systems. Digital signals simply turn the light beam off and on at the data rate. Digital modulation is usually nonreturn-to-zero (NRZ)-formatted binary data that turns a laser off or on to produce off-on keying (OOK) or amplitude-shift keying (ASK).

Modulator

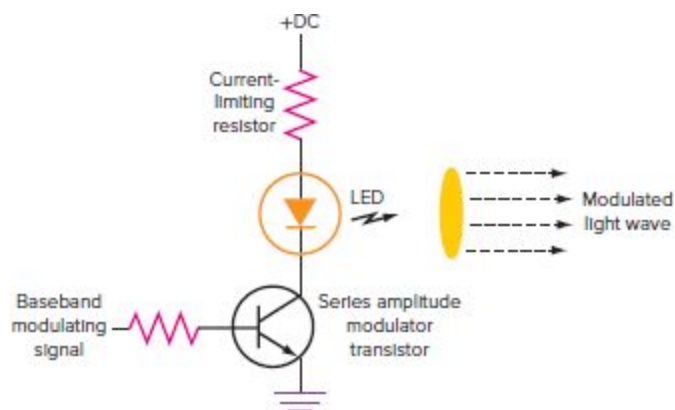
Amplitude modulation

Intensity modulation

A modulator for analog signals can be a power transistor in series with the light source and its dc power supply (see Fig. 20-7). The voice, video, or other information signal is applied to an amplifier that drives the class A modulator

transistor. As the analog signal goes positive, the base drive on the transistor increases, turning the transistor on harder and decreasing its collector-to-emitter base voltage. This applies more of the supply voltage to the light source, making it brighter. A negative-going or decreasing signal amplitude drives the transistor toward cutoff, thereby reducing its collector current and increasing the voltage drop across the transistor. This decreases the voltage to the light source.

Figure 20-7 A simple light transmitter with series amplitude modulator. Analog signals: Transistor varies its conduction and acts as a variable resistance. Pulse signals: Transistor acts as a saturated on/off switch.



GOOD TO KNOW

Most light wave communication is accomplished through pulse modulation, although amplitude modulation is used with analog signals.

Frequency modulation is not used in light communication. There is no practical way to vary the frequency of the light source, even a monochromatic source such as an LED or a laser. Amplitude modulation is used with analog signals, but otherwise most light wave communication is accomplished by pulse modulation.

Pulse modulation refers to turning the light source page 725 off and on in accordance with some serial binary signal. The most common type of pulse modulation is pulse-code modulation (PCM), which is serial binary data organized into bytes or longer words. NRZ, RZ, and Manchester formats are common.

Pulse modulation

Receiver

Receiver. The modulated light wave is picked up by a photodetector. This is usually a photodiode or transistor whose conduction is varied by the light. The small signal is amplified and then demodulated to recover the originally transmitted signal. Digital processing may be necessary. For example, if the original signal is voice that was digitized by an A/D converter before being transmitted as a PCM signal, then a D/A converter will be needed at the receiver to recover the voice signal.

Communication by light beam in free space is impractical over very long distances because of the great attenuation of the light due to atmospheric effects. Fog, haze, smog, rain, snow, and other conditions absorb, reflect, refract, and disperse the light, greatly attenuating it and thereby limiting the transmission distance. Artificial light beams used to carry information are obliterated during daylight hours by the sun. And they can be interfered with by any other light source that points in the direction of the receiver. Distances are normally limited to several hundred feet with low-power LEDs and lasers. If high-powered lasers are used, a distance of several miles may be possible.

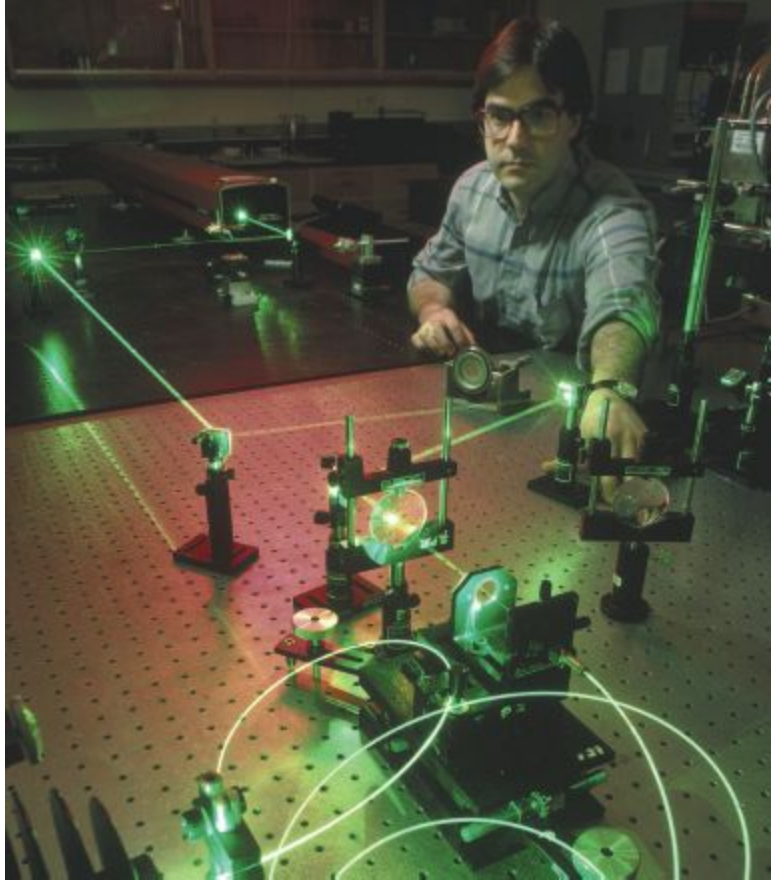
Light beam communication has become far more practical with the invention of the *laser*, a special high-intensity, single-frequency light source. It produces a very narrow beam of brilliant light of a specific wavelength (color). Because of its great intensity, a laser beam can penetrate

atmospheric obstacles better than other types of light can, thereby making light beam communication more reliable over longer distances. When lasers are used, the light beam is so narrow that the transmitter and receiver must be perfectly aligned with each other for communication to occur. Although this causes initial installation alignment problems, it also helps to eliminate external interfering light sources.

Laser

Fiber-Optic Communication System

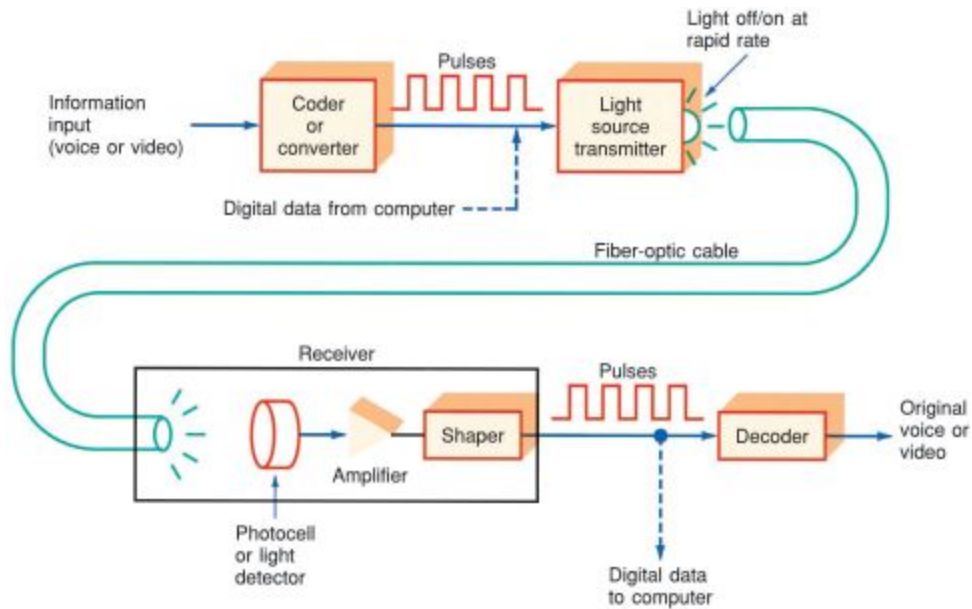
Instead of free space, some type of light-carrying cable can be used. Today, fiber-optic cables have been highly refined. Cables many miles long can be constructed and then interconnected for the purpose of transmitting information. Because of these fiber-optic cables, a new transmission medium is available. Its great advantage is its immense information-carrying capacity (wide bandwidth). Whereas hundreds of telephone conversations may be transmitted simultaneously at microwave frequencies, many thousands of signals can be carried on a light beam through a fiber-optic cable. When multiplexing techniques similar to those in telephone and radio systems are used, fiber-optic communication systems have an almost limitless capacity for information transfer.



Steve Dunwell/Photolibrary/Getty Images

The components of a typical fiber-optic communication system are shown in Fig. 20-8. The information signal to be transmitted may be voice, video, or computer data. The first step is to convert the information to a form compatible with the communication medium, usually by converting continuous analog signals such as voice and video (TV) signals to a series of digital pulses. An A/D converter is used for this purpose.

Figure 20-8 Basic elements of a fiber-optic communication system.



These digital pulses are then used to flash a powerful light source off and on very rapidly. In simple low-cost systems that transmit over short distances, the light source is usually a light-emitting diode that emits a low-intensity infrared light beam. Infrared beams such as those used in TV remote controls are also used in transmission.

The light beam pulses are then fed into a fiber-optic cable, which can transmit them over long distances. At the receiving end, a light-sensitive device known as a *photocell*, or *light detector*, is used to detect the light pulses. It converts the light pulses to an electric signal. The electrical pulses are amplified and reshaped back into digital form. They are fed to a decoder, such as a D/A converter, where the original voice or video is recovered.

Light detector (photocell)

In very long transmission systems, repeater units page 727 must be used along the way. Since the light is greatly attenuated when it travels over long runs of cable, at some point it may be too weak to be received reliably. To overcome this problem, special relay stations are used to

pick up the light beam, convert it to electrical pulses that are amplified, and then retransmit on another light beam.

Applications of Fiber Optics

Fiber-optic communication system

Fiber-optic communication systems are being used more and more each day. Their primary use is in long-distance telephone systems and cable TV systems. Fiber-optic networks also form the core or backbone of the Internet. Fiber-optic cables are no more expensive or complex to install than standard electrical cables, yet their information-carrying capacity is many times greater.

Fiber-optic communication systems are being used in other applications. For example, they are being used to interconnect computers in networks within a large building, to carry control signals in airplanes and in ships, and in TV systems because of the wide bandwidth. In all cases, the fiber-optic cables replace conventional coaxial or twisted-pair cables. Fig. 20-9 lists some of the applications in which fiber-optic cables are being used.

Figure 20-9 Applications of fiber-optic cables.

1. TV studio to transmitter interconnection eliminating a microwave radio link.
2. Closed-circuit TV systems used in buildings for security.
3. Secure communication systems at military bases.
4. Computer networks, wide area, metro, and local area.
5. Shipboard communication.
6. Aircraft communication/controls.
7. Interconnection of measuring and monitoring instruments in plants and laboratories.
8. Data acquisition and control signal communication in industrial process control systems.
9. Nuclear plant instrumentation.
10. College campus communication.
11. Utilities (electric, gas, and so on) station communication.
12. Cable TV systems replacing coaxial cable.
13. The Internet.
14. Backhaul for 5G cellular base stations.
15. Distributed antenna systems (DAS).
16. Connections between servers, routers and switches in data centers.
17. Connection between the cellular base station and the remote radio head mounted at the antenna.

Benefits of Fiber Optics

The main benefit of fiber-optic cables is their enormous information-carrying capability. This capacity is dependent on the bandwidth of the cable. *Bandwidth* refers to the range of frequencies that a cable will carry. Electric cables such as coaxial have a wide bandwidth (1 GHz or more), but the bandwidth of fiber-optic cable is much greater. Data rates in excess of 100 GHz have been achieved, and even higher rates have been achieved with multiplexing. Fiber-optic cable has many other benefits, summarized in Fig. 20-10.

Bandwidth

GOOD TO KNOW

The small size and brittleness of fiber-optic cable along with the special tools and techniques required make it difficult to work with.

Figure 20-10 Benefits of fiber-optic cables over conventional electrical cables.

1. *Wider bandwidth.* Fiber-optic cables have high information-carrying capability.
2. *Low loss.* Fiber-optic cables have less signal attenuation over a given distance than an equivalent length of coaxial cable.
3. *Lightweight.* Glass or plastic cables are much lighter than copper cables and offer benefits when low weight is critical (e.g., aircraft).
4. *Small size.* Practical fiber-optic cables are much smaller in diameter than electrical cables and thus can be contained in a relatively small space.
5. *Security.* Fiber-optic cables cannot be as easily “tapped” as

- electrical cables, and they do not radiate signals that can be picked up for eavesdropping purposes. There is less need for complex and expensive encryption techniques.
6. *Interference immunity.* Fiber-optic cables do not radiate signals, as some electrical cables do, and cause interference to other cables. They are immune to the picking up of interference from other sources.
 7. *Greater safety.* Fiber-optic cables do not carry electricity. Therefore, there is no shock hazard. They are also insulators and thus not susceptible to lightning strikes as electrical cables are. They can be used in corrosive and/or explosive environments without danger of sparks.

There are some disadvantages to fiber-optic cable. High cost is the greatest disadvantage. Otherwise, its small size and brittleness make it difficult to work with. Special, expensive tools and test instruments are required.

20-3 Fiber-Optic Cables

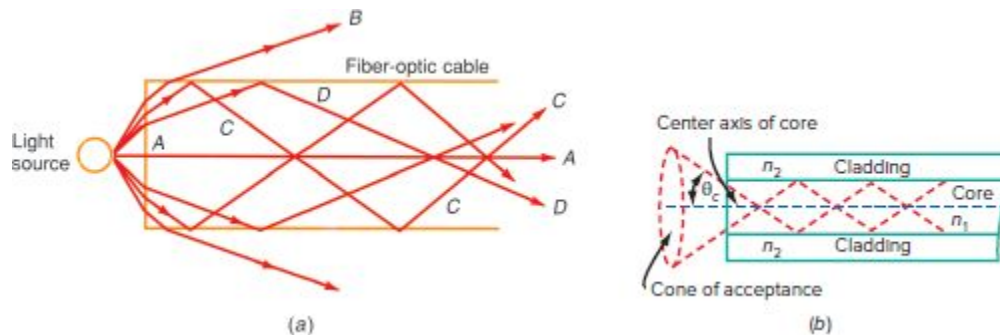
A *fiber-optic cable* is thin glass or plastic cable that acts as a light “pipe.” It is not really a hollow tube carrying light, but a long, thin strand of glass or plastic fiber. Fiber cables have a circular cross section with a diameter of only a fraction of an inch. Some fiber-optic cables are the size of a human hair. A light source is placed at the end of the fiber, and light passes through it and exits at the other end of the cable. How the light propagates through the fiber depends on the laws of optics.

Fiber-optic cable

Principles of Fiber-Optic Cable

Fiber-optic cables operate on the optical principles of total internal reflection as described earlier in this chapter. Fig. 20-11(a) shows a thin fiber-optic cable. A beam of light is focused on the end of the cable. It can be positioned in a number of different ways so that the light enters the fiber at different angles. For example, light ray *A* enters the cable perpendicular to the end surface. Therefore, the light beam travels straight down the fiber and exits at the other end. This is the most desirable condition.

Figure 20-11 (a) Light rays in a fiber-optic cable. (b) Critical angle and cone of acceptance.



Critical Angle. The angle of light beam *B* is such that its angle of incidence is less than the critical angle, and therefore refraction takes place. The light wave passes through the fiber and exits the edge into the air at a different angle.

The angle of incidence of light beams *C* and *D* is greater than the critical angle. Therefore, total internal reflection takes place, and the light beams are reflected off the surface of the fiber cable. The light beam bounces back and forth between the surfaces until it exits at the other end of the cable.

When the light beam reflects off the inner surface, the angle of incidence is equal to the angle of reflection. Because of this principle, light rays entering at different angles will take different paths through the cable, and some paths will be longer than others. Therefore, if multiple light rays enter the end of the cable, they will take different paths, and so some will exit sooner and some later than others.

In practice, the light source is placed so that the angle is such that the light beam passes directly down the center axis of the cable so that the reflection angles are great. This prevents the light from being lost because of refraction at the interface. Because of total internal reflection, the light beam will continue to propagate through the fiber even though it is bent. With long slow bends, the light will stay within the cable.

The core of the fiber has a higher index of refraction than the cladding surrounding the core as shown in Fig. 20-11(b). The light enters the core at an infinite number of angles but only those rays entering the core at an angle less than the critical angle actually pass down the core. These light rays are reflected off the interface between core and cladding as they pass down the cable.

Fig. 20-11(b) shows the critical angle of the cable θ_c , sometimes referred to as the *acceptance angle* θ_A . This angle is formed between the center axis line of the core and the line that defines the maximum point where light entering the cable will undergo total internal reflection. If the light beam entering the end of the cable has an angle less than the critical angle, it will be internally reflected and propagated down the cable.

Numerical Aperture. Refer to the angles in Fig. 20-11(b). External to the end of the cable is what is called a *cone of acceptance*; it is defined by the critical angle. Any light

beam outside the cone will not be internally reflected and transmitted down the cable.

Cone of acceptance

The cone of acceptance defines the *numerical aperture* (*NA*) of the cable. This is a number less than 1 that gives some indication of the range of angles over which a particular cable will work. The NA can be calculated with the expression

Numerical aperture (NA)

$$NA = \sin \theta_c$$

For example, if the critical angle is 20° , the NA is

$$NA = \sin 20^\circ = 0.342$$

The NA can also be determined from the indices of refraction of the core and cladding:

$$NA = \sqrt{n_1^2 - n_2^2}$$

If $n_1 = 1.5$ and $n_2 = 1.4$, the numerical aperture is

$$NA = \sqrt{(1.5)^2 - (1.4)^2} = \sqrt{2.25 - 1.96} = \sqrt{0.29} = 0.5385$$

Typical numerical apertures for common cables are 0.275 and 0.29.

Example 20-1

The numerical aperture of a fiber-optic cable is 0.29. What is the critical angle?

$$\begin{aligned} \text{NA} &= \sin \theta_c \\ 0.29 &= \sin \theta_c \\ \theta_c &= \sin^{-1} 0.29 = \arcsin 0.29 \\ \theta_c &= 16.86^\circ \end{aligned}$$

Fiber-Optic Cable Construction

Fiber-optic cables come in a variety of sizes, shapes, and types. The simplest cable contains a single strand of fiber; a complex cable is made up of multiple fibers with different layers and other elements.

The portion of a fiber-optic cable that carries the light is made from either glass or plastic. Another name for glass is *silica*. The optical characteristics of glass are superior to those of plastic. However, glass is far more expensive and more fragile than plastic. Although plastic is less expensive and more flexible, its attenuation of light is greater. For a given intensity, light will travel a farther distance in glass than in plastic.

Silica

GOOD TO KNOW

Plastic fiber-optic cables are less expensive and more flexible than glass, but the optical characteristics of glass are superior.

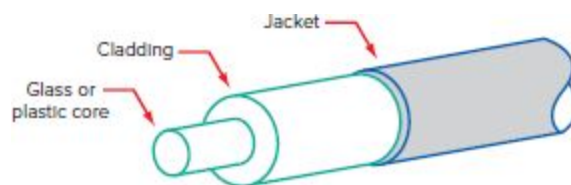
The construction of a fiber-optic cable is shown in Fig. 20-11(b). The glass or plastic optical fiber is contained within an outer *cladding*. The index of refraction of the outer cladding n_2 is slightly less than the index of refraction n_1 of the core. Typical values for n_1 and n_2 are 1.5 and 1.4, respectively. Over the cladding is a plastic jacket similar to the outer insulation on an electrical cable.

Cladding

The fiber, which is called the *core*, is usually surrounded by a protective cladding (see Fig. 20-12). The cladding is also made of glass or plastic but has a lower index of refraction. This ensures that the proper interface is achieved so that the light waves remain within the core. In addition to protecting the fiber core from nicks and scratches, the cladding gives strength. Some fiber-optic cable has a glass core with a glass cladding. Other cables have a plastic core with a plastic cladding. Another arrangement, *plastic-clad silica (PCS) cable*, is a glass core with a plastic cladding.

Core

Figure 20-12 Basic construction of a fiber-optic cable.



Typically the division between the core and the cladding cannot be seen; they are usually made of the same types of material. Over the cladding is usually a plastic *jacket* similar to the outer insulation on an electrical cable.

Jacket

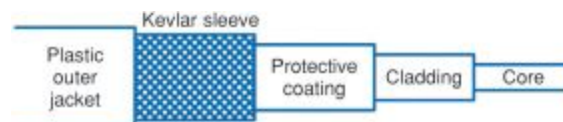
In addition to the core, its cladding, and a jacket, fiber-optic cable usually contains one or more elements to form a complete cable. The simplest cable is the core with its cladding surrounded by a protective jacket. As in electrical cables, this outer jacket, or insulation, is made of some type of plastic, typically polyethylene, polyurethane, or polyvinyl chloride (PVC). The main purpose of this outer jacket is to protect the core and cladding from damage. Usually fiber-optic cables are buried underground or strung between supports. Therefore, the fibers must be protected from moisture, dirt, temperature variations, and other conditions.

The outer jacket also helps minimize physical damage, such as cuts, nicks, and crushing.

The more complex cables may contain two or page 731 more fiber-optic elements. Typical cables are available with 2, 6, 12, 18, and 24 optical fiber cores.

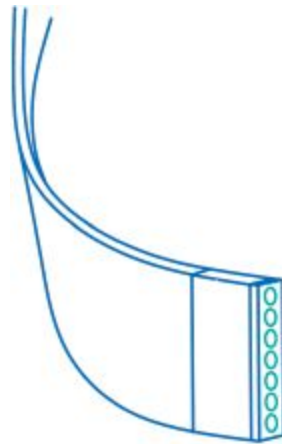
There are many different types of cable configurations. Many have several layers of protective jackets. Some cables incorporate a flexible strength or tension element that helps minimize damage to the fiber-optic elements when the cable is being pulled or must support its own weight. Typically, this strength member is made up of a stranded steel or a special yarn known as *Kevlar*, which is strong and preferred over steel because it is an insulator. In some cables, Kevlar forms a protective sleeve or jacket over the cladding. Most claddings are covered with a clear protective coating for added strength and resistance to moisture and damage (see Fig. 20-13).

Figure 20-13 Typical layers in a fiber-optic cable.



Fiber-optic cables are also available in a flat ribbon form (see Fig. 20-14). Flat ribbon cable works well with multiple fibers. Handling and identification of individual fibers are easy. The flat cable is also more space-efficient for some applications.

Figure 20-14 Multicore flat ribbon cable.



Types of Fiber-Optic Cables

There are two basic ways of classifying fiber-optic cables: The first method is by the index of refraction, which varies across the cross section of the cable. The second method of classification is by *mode*, which refers to the various paths the light rays can take in passing through the fiber. Usually these two methods of classification are combined to define the types of cable.

Mode of cable

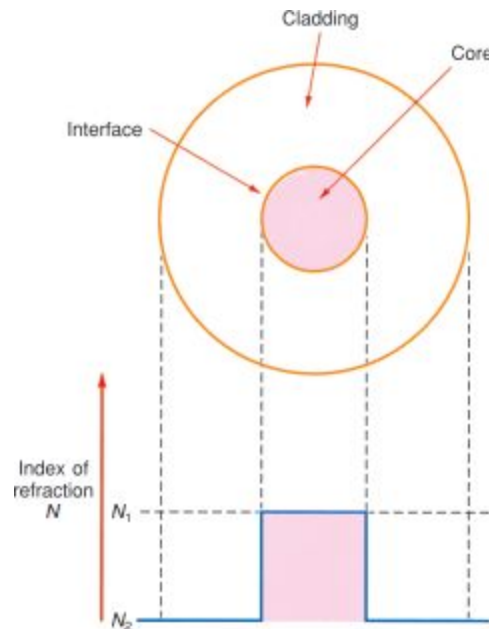
Step index cable

Step Index Cable. The two ways to define the index of refraction variation across a cable are the step index and the graded index. *Step index* refers to the fact that there is a sharply defined step in the index of refraction where the fiber core and the cladding interface. It means that the core has one constant index of refraction n_1 and the cladding has another constant index of refraction n_2 . When the two come together, there is a distinct step (see Fig. 20-15). If you were to plot a curve showing the index of refraction as it varies vertically from left to right across the cross section of the cable, you would see a sharp increase in the index of refraction as the core is encountered and then a sharp

decline in the index of refraction as the cladding is encountered.

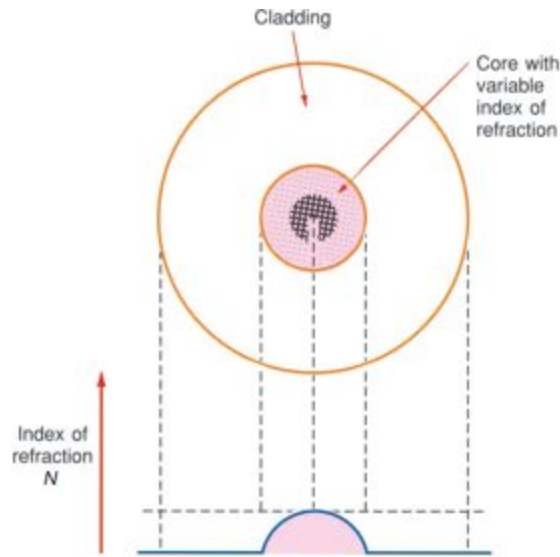
Graded index cable

Figure 20-15 A step index cable cross section.



Graded Index Cable. The other type of cable has a *graded index*. Here, the index of refraction of the core is not constant. Instead, it varies smoothly and continuously over the diameter of the core (see Fig. 20-16). As you get closer to the center of the core, the index of refraction gradually increases, reaching a peak at the center and then declining as the other outer edge of the core is reached. The index of refraction of the cladding is constant.

Figure 20-16 Graded index cable cross section.



Cable Mode. *Mode* refers to the number of paths for the light rays in the cable. There are two classifications: single mode and multimode. In *single mode*, light follows a single path through the core; in *multimode*, the light takes many paths.

Multimode

Each type of fiber-optic cable uses one of these methods of rating the index or mode. In practice, there are three commonly used types of fiber-optic cable: *multimode step index*, *single-mode step index*, and *multimode graded index*.

Multimode Step Index Cable. The *multimode step index fiber cable* is probably the most common and widely used type. It is also the easiest to make and therefore the least expensive. It is widely used for short to medium distances at relatively low pulse frequencies.

Multimode step index cable

The main advantage of a multimode stepped index fiber is its large size. Typical core diameters are in the 50- to 1000- μm range. Such large-diameter cores are excellent at gathering light and transmitting it efficiently. This means that an

inexpensive light source such as an LED can be used to produce the light pulses. The light takes many hundreds or even thousands of paths through the core before exiting (refer to Fig. 20-11). Because of the different lengths of these paths, some of the light rays take longer to reach the other end of the cable than do others. The problem with this is that it stretches the light pulses. This is called dispersion.

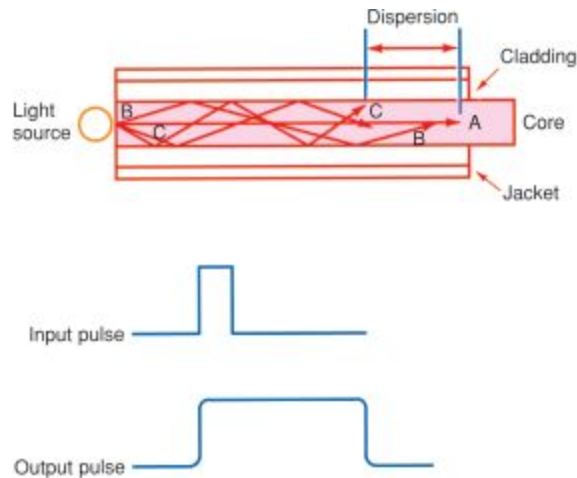
GOOD TO KNOW

The multimode step index fiber cable is widely used at short to medium distances at relatively low pulse frequencies. This cable is also the easiest to make and the least expensive of the fiber-optic cables.

Dispersion. Dispersion is the distortion of the optical signal due to the characteristics of the cable. For example, in Fig. 20-17, a short light pulse is applied to the end of the cable by the source. Light rays from the source travel in multiple paths. At the end of the cable, the rays that travel the shortest distance reach the end first. Other rays begin to reach the end of the cable later, until the light ray with the longest path finally reaches the end, concluding the pulse. In Fig. 20-17, ray *A* reaches the end first, then *B*, and then *C*. The result is a pulse at the other end of the cable that is lower in amplitude because of the attenuation of the light in the cable and increased in duration because of the different arrival times of the various light rays. This stretching of the pulse is referred to as *modal dispersion*.

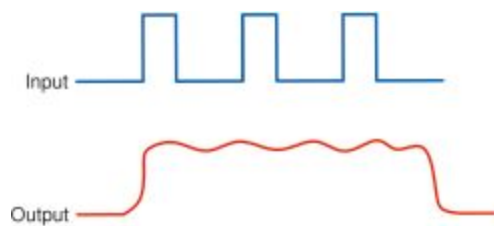
Modal dispersion

Figure 20-17 A multimode step index cable.



Because the pulse has been stretched, pulses at page 733 the input cannot occur at a rate faster than the output pulse duration permits. Otherwise, the pulses will essentially merge (see Fig. 20-18). At the output, one long pulse will occur and will be indistinguishable from the three separate pulses originally transmitted. This means that incorrect information will be received. The only cure for this problem is to reduce the pulse repetition rate or the frequency of the pulses. When this is done, proper operation occurs. But with pulses at a lower frequency, less information can be handled. The key point here is that the type of cable selected must have a modal dispersion sufficiently low to handle the desired upper frequency of operation.

Figure 20-18 The effect of modal dispersion on pulses occurring too rapidly in a multimode step index cable.



Another type of dispersion is chromatic dispersion, which also causes pulse stretching. *Chromatic dispersion* occurs when multiple wavelengths of light are used, as in *dense wavelength-division multiplexing (DWDM)* systems. Since higher light frequencies travel faster than lower light frequencies, pulse stretching occurs. This type of dispersion is the most troubling at data rates above 10 Gbps. Special fiber sections or filters are used to correct it.

Chromatic dispersion

Dense wavelength-division multiplexing (DWDM)

One more type of pulse stretching is caused by *polarization mode dispersion (PMD)*. This is a phenomenon that occurs in *single-mode fiber (SMF)*. SMF essentially supports two orthogonal (at a 90° angle) polarizations along the cable. Since the cable is not a perfect cylinder and because of cable distortions caused by bending, twisting, and other stresses, pulses with different polarization orientations can travel at different velocities in different parts of the cable. The orientations of connectors and splices also introduce this effect and distort the signal. The most common effect is two pulses produced for each transmitted pulse. PMD is generally measured in picoseconds, so it does not materially affect pulses at rates under about 5 Gbps. At 10 Gbps and above, PMD becomes noticeable especially in long-haul WANs and MANs. As with chromatic dispersion, special cable and physical compensators are available to correct it.

Single-mode fiber (SMF)

One of the newer and better ways to deal with dispersion is to use *electronic dispersion compensation (EDC)*. EDC uses equalization techniques to adjust the received waveform to compensate for any type of dispersion. Equalizers can be made to correct the frequency response of a circuit, but also can be designed to correct for phase

and amplitude differences. Most equalizers are fixed circuits and so only correct for problems of one type. However, adaptive equalizers adjust the correction for different speeds and distances. Adaptive equalizers adjust themselves to the fiber link into which they are connected after a short “training” period provides them with information about the type and degree of distortion produced. The equalizer then adds or subtracts energy to or from the signal in the preceding two or more pulse intervals to correct for the dispersion.

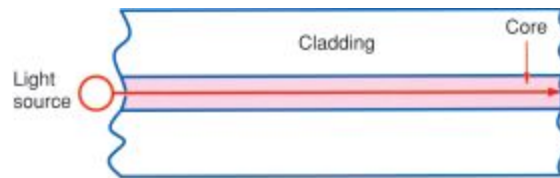
An electronic dispersion compensation device is usually deployed at the serial output of the receiver. The equalizer is essentially a *finite impulse response (FIR)* DSP filter. The equalizer uses feedforward and feedback taps whose coefficients can be automatically adjusted. The received signal is sampled by a very fast A/D converter, and the samples are processed in a DSP chip. The DSP chip computes coefficients that are actively applied to the equalizer. The equalizer in effect performs the inverse function of the dispersive cable, thereby correcting the problem. Most modern 10-Gbps optical transceivers employ EDC. It essentially doubles the range that a given optical transceiver can cover.

Finite impulse response (FIR)

Single-Mode Step Index Cable. A *single-mode* or page 734 *monomode step index fiber cable* essentially eliminates modal dispersion by making the core so small that the total number of modes or paths through the core is minimized (see Fig. 20-19). Typical core sizes are 2 to 15 μm . The only path through the core is down the center. With minimum refraction, little pulse stretching occurs. The output pulse has essentially the same duration as the input pulse.

Single-mode step index cable

Figure 20-19 Single-mode step index cable.



Single-mode step index fibers are by far the best because the pulse repetition rate can be high and the maximum amount of information can be carried. For very long-distance transmission and maximum information content, single-mode step index fiber cables should be used.

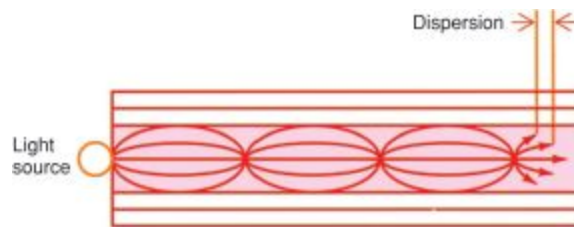
The main problem with this type of cable is that it is extremely small, difficult to make, and therefore very expensive. It is also more difficult to handle. Splicing and making interconnections are more difficult. Finally, for proper operation, an expensive, superintense light source such as a laser must be used. For long distances, however, this is the type of cable preferred.

Multimode graded index cable

Multimode Graded Index Cable. *Multimode graded index fiber cables* have several modes, or paths, of transmission through the cable, but they are much more orderly and predictable. Fig. 20-20 shows the typical paths of the light beams. Because of the continuously varying index of refraction across the core, the light rays are bent smoothly and repeatedly converge at points along the cable. The light rays near the edge of the core take a longer path but travel faster because the index of refraction is lower. All the modes or light paths tend to arrive at one point simultaneously. The result is less modal dispersion. As a result, this cable can be used at very high pulse rates, and therefore a considerable amount of information can be carried. This type of cable is also much wider in diameter, with core sizes in the 50- to 100- μm range. Therefore, it is easier to splice and

interconnect, and cheaper, less intense light sources can be used.

Figure 20-20 A multimode graded index cable.



The most popular kind of graded index multimode fiber is designated OM1 through OM4. OM means optical multimode. These types are standardized by the TIA/EIA and are used in applications with shorter ranges up to about several thousand feet, such as a small campus or a multifloor building. OM cables can handle most common data rates from 1 Gbps and 10 Gbps up to 100 Gbps. Both LED and vertical-cavity surface-emitting laser (VCSEL) sources are common at wavelengths of 850 nm and 1300 nm.

The OM fibers are limited in their data rate per unit of length because of dispersion. The measure of this characteristic is the effective modal bandwidth (EMB). The bandwidth of an OM fiber is the frequency point where the optical power level drops to -3 dB relative to the zero frequency power. EMB is expressed as the bandwidth per unit of length, usually 1 km. An example is 500 MHz-km. One MHz-km approximately translates to 0.7 to 0.8 Mbps of data rate. Therefore, an EMB of 500 MHz-km would allow a maximum data rate of 350 to 400 Mbps.

OM1 is 62.5/125 fiber with an EMB of 200 MHz-km. It is used with 100-Mbps Ethernet 100BASE-FX to 2000 m or 1-Gbps Ethernet 1000BASE-SX to 275 m. It can be used with 10-Gbps Ethernet 10GBASE-SR to 33 m.

OM2 is 50/125 fiber with an EMB or 500 MHz·km. It is used with 100-Mbps Ethernet to 2000 m, 1-Gbps Ethernet to 550 m, and 10-Gbps Ethernet to 82 m.

OM3 is 50/125 fiber with an EMB in the 1500 to page 735 2000 MHz·km. It also works with 100-MHz Ethernet to 2000 m, 1-Gbps Ethernet to 550 m, and 10-Gbps Ethernet to 300 m.

OM4 is also 50/125 fiber with an EMB in the 3500 to 4700 MHz·km. It also works with 100-MHz Ethernet to 2000 m, 1-Gbps Ethernet to 1000 m, and 10-Gbps Ethernet to 550 m.

Both OM3 and OM4 can also be used with 40-Gbps or 100-Gbps Ethernet, up to 100 m with OM3 or up to 150 m with OM4.

OM5 is the newest type of multimode fiber (MMF). Its size is 50/125. It works with VSCELs and has a bandwidth of 28K MHz·km. It can support up to four shortwave wavelength division multiplexing (SWDM) channels in the 850- to 960-nm range. The EMB is 4700 MHz·km at 850 nm.

OM5 MMF is a real breakthrough as it has many of the properties of SMF but retains the benefits of MMF. OM5 can handle the data rates of SMF up to 400 Gbps. Its range can extend to 150 m with 40 Gbps or 100 Gbps and to 550 m at 10 Gbps. Its range is less than that of SMF but is still useful. Its main benefit of OM5 is that it is easier to work with. SMF is very small and far more delicate as it cannot withstand sharp bends.

OM5 is expected to be used in data centers and may be the backhaul of choice for the new small 5G cell sites.

Fiber-Optic Cable Specifications

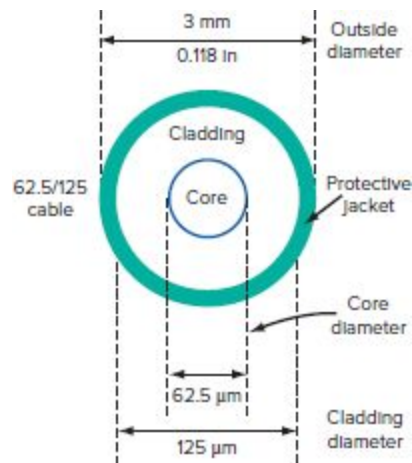
The most important specifications of a fiber-optic cable are size, attenuation, and bandwidth. The NA is also sometimes given, although this specification is needed only when

connectors are being designed—a rare occurrence, because standard connectors are available.

Cable size

Cable Size. Fiber-optic cable comes in a variety of sizes and configurations as previously indicated. Size is normally specified as the diameter of the core, and cladding is given in micrometers (μm), where 1 micrometer is one-millionth of a meter. For example, a common size for multimode fiber is 62.5/125, where 62.5 is the diameter of the core and 125 is the diameter of the cladding, both in micrometers (see Fig. 20-21). A PVC or polyurethane plastic jacket over the outer cladding gives a total outside diameter of about 3 mm or 0.118 in. Other common cable sizes for multimode fiber are 50/125 and 100/140, although the 62.5/125 is by far the most widely used. Common sizes for single-mode fibers are 9/125 or 8.3/125 μm .

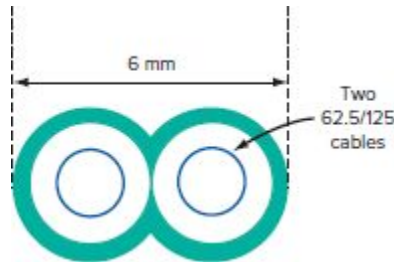
Figure 20-21 Fiber-optic cable dimensions.



Cables come in two common varieties, simplex and duplex. Simplex cable, as the name implies, is just a single-fiber core cable, as shown in Fig. 20-21. In a common duplex cable, as shown in Fig. 20-22, two cables are combined

within a single outer cladding. Cables are available with 4, 10, and 12 parallel fibers.

Figure 20-22 Cross section of a duplex cable.



Attenuation. The most important specification of a [page 736](#) fiber-optic cable is its attenuation. *Attenuation* refers to the loss of light energy as the light pulse travels from one end of the cable to the other. The light pulse of a specific amplitude or brilliance is applied to one end of the cable, but the light pulse output at the other end of the cable will be much lower in amplitude. The intensity of the light at the output is lower because of various losses in the cable. The main reason for the loss in light intensity over the length of the cable is light absorption, scattering, and dispersion.

Attenuation

Absorption refers to how light energy is converted to heat in the core material because of the impurity of the glass or plastic. This phenomenon is similar to electrical resistance. *Scattering* refers to the light lost due to light waves entering at the wrong angle and being lost in the cladding because of refraction. *Dispersion*, as mentioned, refers to the pulse stretching caused by the many different paths through the cable. Although no light is lost as such in dispersion, the output is still lower in amplitude than in the input, although the length of the light pulse has increased in duration.

Absorption

Scattering

Dispersion

The amount of attenuation varies with the type of cable and its size. Glass has less attenuation than plastic. Wider cores have less attenuation than narrower cores of the same material. Wider cores have less absorption and much more dispersion. Wider cores are also usually plastic, which has greater absorption capacity than glass.

More important, attenuation is directly proportional to the length of the cable. It is obvious that the longer the distance the light has to travel, the greater the loss due to absorption, scattering, and dispersion.

The attenuation of a fiber-optic cable is expressed in decibels (dB) per unit of length. The standard is decibels per kilometer. The standard decibel formula is used

$$\text{dB} = 10 \log \frac{P_{\text{out}}}{P_{\text{in}}}$$

where P_{out} is the power out and P_{in} is the power in. Because light intensity is a type of electromagnetic radiation, it is normally expressed and measured in power units, watts, or some fraction thereof. Fig. 20-23 shows the percentage of output power for various decibel losses.

Figure 20-23 Decibel (dB) loss table.

Loss, dB	Power Output, %
1	79
2	63
3	50
4	40
5	31
6	25
7	20
8	14
9	12
10	10
20	1
30	0.1
40	0.01
50	0.001

For example, 3 dB represents half power. In other words, a 3-dB loss means that only 50 percent of the input appears at the output. The other 50 percent of the power is lost in the cable. The higher the decibel figure, the greater the attenuation and loss. A 30-dB loss means that only one-thousandth of the input power appears at the end. The standard specification for fiber-optic cable is attenuation expressed in terms of decibels per kilometer (dB/km).

Table 20.1		Attenuation per Length and Wavelength for SMF versus MMF	
9/125 Single Mode Fiber		50/125 OM3 Multimode Fiber	
Attenuation at 1310 nm	0.36 dB/km	Attenuation at 850 nm	3.0 dB/km
Attenuation at 1550 nm	0.22 dB/km	Attenuation at 1300 nm	1.0 dB/km

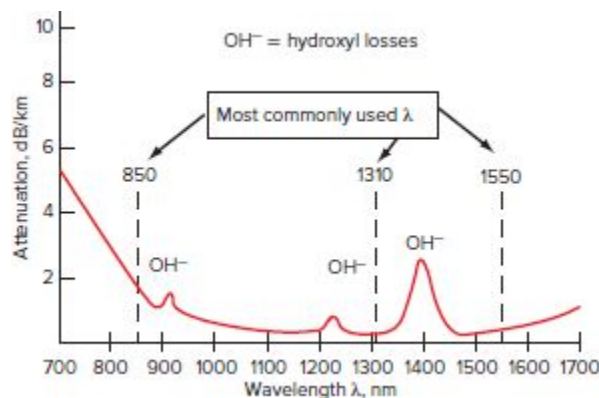
The attenuation ratings of fiber-optic cables vary over a considerable range. The finest single-mode step index cables have an attenuation of only 1 dB/km. However, very large core plastic fiber cables can have an attenuation of several thousand decibels per kilometer. A typical 62.5/125 cable has a loss in the 3- to 5-dB/km range. Typically, fibers with an attenuation of less than 10 dB/km are called *low-*

loss fibers, and those with an attenuation between 10 and 100 dB/km are *medium-loss fibers*. *High-loss fibers* have over 100-dB/km ratings. Naturally, the smaller the decibel number, the less the attenuation and the better the cable.

The total attenuation for a particular cable can be determined from the attenuation rating of the cable. For example, if a cable has an attenuation of 3.75 dB/km, a 15-km-long cable has a total attenuation of 3.75×15 , or 56.25 dB. If two cables are spliced together and one has an attenuation of 17 dB and the other 24 dB, the total attenuation is simply the sum, or $17 + 24$, or 41 dB.

Another factor that influences cable loss is the wavelength of light being transmitted. Loss is expressed in terms of dB/km. Table 20-1 is a comparison between SMF and MMF (OM3). The most commonly used infrared (IR) wavelengths are 850, 1300, 1310, and 1550 nm. See Fig. 20-24.

Figure 20-24 Attenuation versus wavelength of a typical fiber-optic cable.



Bandwidth. The *bandwidth* of a fiber-optic cable determines the maximum speed of the data pulses the cable can handle. The bandwidth is normally stated in terms of megahertz-kilometers (MHz·km). A common 62.5/125- μm cable has a bandwidth in the 100- to 300-MHz·km range. Cables with 500 and 600 MHz·km are also common. Even higher-

bandwidth cables up to 5000 MHz·km are available to carry gigahertz-range signals.

Bandwidth

As the length of the cable is increased, the bandwidth decreases in proportion. If a 160-MHz·km cable length is doubled from 1 to 2 km, its bandwidth is halved to 80 MHz·km.

Example 20-2

A fiber-optic cable has a bandwidth rating of 600 MHz·km. What is the bandwidth of a 500-ft segment of cable?

$$1 \text{ km} = 0.62 \text{ mi}$$

$$1 \text{ mi} = 5280 \text{ ft}$$

$$1 \text{ km} = 0.62(5280) = 3274 \text{ ft}$$

$$500 \text{ ft} = \frac{500}{3274} = 0.153 \text{ km}$$

$$600 \text{ MHz} \cdot \text{km} = 600 \text{ MHz} (1 \text{ km})$$

$$600 \text{ MHz} \cdot \text{km} = x_{\text{MHz}} (0.153 \text{ km})$$

$$x_{\text{MHz}} = \frac{600 \text{ MHz} \cdot \text{km}}{0.153 \text{ km}} = 3928.3 \text{ MHz, or } 3.93 \text{ GHz}$$

GOOD TO KNOW

For calculating bandwidths of mile segments of fiber-optic cable when the bandwidth rating is given in units of megahertz-kilometers, the mile values must first be converted to kilometers.

Frequency Range. Most fiber-optic cable operates page 738 over a relatively wide light *frequency range*, although it is normally optimized for a narrow range of light frequencies. The most commonly used light frequencies are

850, 1310, and 1550 nm (or 0.85, 1.31, and 1.55 μm). The cable has minimum attenuation to these frequencies.

Frequency range

Fig. 20-24 shows attenuation versus wavelength for a typical cable. Note that there is a peak in the attenuation at approximately 1.4 μm . This is caused by hydroxyl ions or undesired hydrogen oxygen ions produced during the manufacturing process. These so-called water losses are avoided by carefully selecting the frequency of light transmission. Minimal loss occurs at 1.3 and 1.55 μm . Most LED or laser light sources operate at or near one of these wavelengths.

Connectors and Splicing

When long fiber-optic cables are needed, two or more cables can be spliced together. The ends of the cable are perfectly aligned and then fused together with heat. A variety of connectors are available that provide a convenient way to splice cables and attach them to transmitters, receivers, and repeaters.

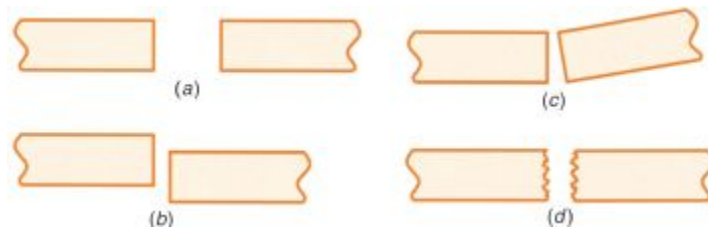
Connectors. *Connectors* are special mechanical assemblies that allow fiber-optic cables to be connected to one another. Fiber-optic connectors are the optical equivalent of electrical plugs and sockets. They are mechanical assemblies that hold the ends of a cable and cause them to be accurately aligned with the ends of another cable. Most fiber-optic connectors either snap or twist together or have threads that allow the two pieces to be screwed together.

Connector

Connectors ensure precise alignment of the cables. The ends of the cables must be aligned with precision so that maximum light from one cable is transferred to another. A

poor splice or connection will introduce excessive attenuation as the light exits one cable and enters the other. Fig. 20-25 shows several ways that cores can be misaligned. A connector can correct these problems.

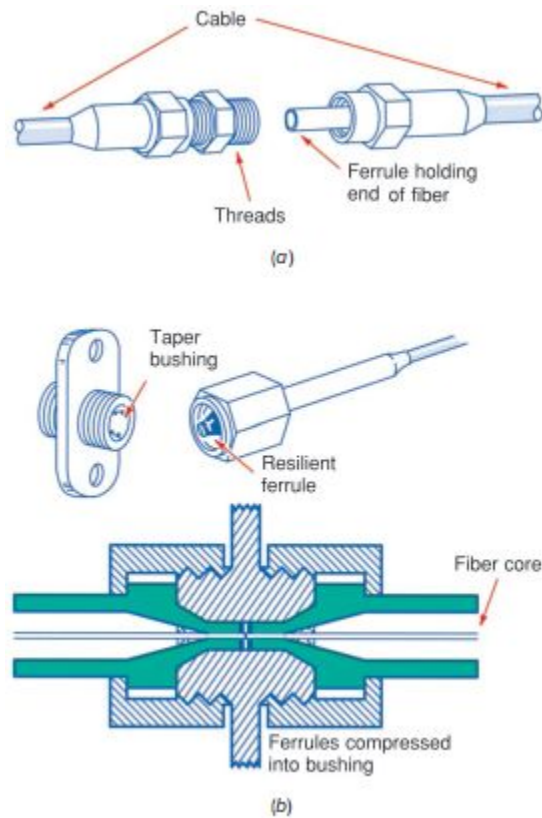
Figure 20-25 Misalignment and rough end surfaces cause loss of light and high attenuation. (a) Too much end separation. (b) Axial misalignment. (c) Angular misalignment. (d) Rough, uneven surfaces.



A typical fiber-optic connector is shown in Fig. 20-page 739 26(a). One end of the connector, called the *ferrule*, holds the fiber securely in place. A matching fitting holds the other fiber securely in place. When the two are screwed together, the ends of the fibers touch, thereby establishing a low-loss coupling. Fig. 20-26(b) shows in greater detail how the connector aligns the fibers.

Ferrule

Figure 20-26 Details of two types of a fiber cable connector.



Dozens of different kinds of connectors are available for different applications. They are used in the parts of the system where it may be desirable to occasionally disconnect the fiber-optic cable for making tests or repairs. Connectors are normally used at the end of the cable applied to the light source or the end of the cable connected to the photodetector.

Connectors are also used at the repeater units where the light is picked up, converted to an electrical pulse, amplified and reshaped, and then used to create a new pulse to continue the transmission over a long line. Connectors are used on the back of interface adapters that plug into computers.

The most common fiber connectors are ST, LC, SC, FC, and SMA. The *ST connectors*, also referred to as *bayonet connectors*, use a half-twist cam-type arrangement like that used in BNC coaxial connectors. They are convenient for quick connect and disconnect. The *SMA connectors* are

about the same size but have threaded connections. Two other popular connector types are the LC and SC. Both are snap-in type connectors with the LC connector being smaller. Many special connectors are made for dual fiber cables and 12 to 24 fibers.

Bayonet connectors

Connectors

Splicing. *Splicing* fiber-optic cable means permanently attaching the end of one cable to another. This is usually done without a connector. The first step is to cut the cable, called *cleaving* the cable, so that it is perfectly square on the end. Cleaving is so important to minimizing light loss that special tools have been developed to ensure perfect cuts.

Splicing

Cleaving

The two cables to be spliced are then permanently bonded together by heating them instantaneously to high temperatures so that they fuse or melt together. Special tools and splicing machines must be used to ensure perfect alignment.

Installing a connector begins with cleaving the fiber so that it is perfectly square. Polishing usually follows. Again, the special cleaving and polishing machines devised for this purpose must always be used. Poorly spliced cable or poorly installed connectors create an enormous loss.

20-4 Optical Transmitters and Receivers

In an optical communication system, transmission begins with the *transmitter*, which consists of a carrier generator

and a modulator. The carrier is a light beam that is usually modulated by turning it on and off with digital pulses. The basic transmitter is essentially a light source.

Transmitter

The *receiver* is a light or photodetector that converts the received light back to an electric signal. In this section, the types of light sources used in fiber-optic systems and the transmitter circuitry, as well as the various light detectors and the related receiver circuits, are discussed.

Receiver

Light Sources

Conventional *light sources* such as incandescent lamps cannot be used in fiber-optic systems because they are too slow. To transmit high-speed digital pulses, a very fast light source must be used. The two most commonly used light sources are *light-emitting diodes (LEDs)* and *semiconductor lasers*.

Light sources

Light-Emitting Diodes. A *light-emitting diode (LED)* is a PN-junction semiconductor device that emits light when forward-biased. When a free electron encounters a hole in the semiconductor structure, the two combine, and in the process they give up energy in the form of light. Semiconductors such as gallium arsenide (GaAs) are superior to silicon in light emission. Most LEDs are GaAs devices optimized for producing red light. LEDs are widely used for displays indicating whether a circuit is off or on, or for displaying decimal and binary data. However, because an LED is a fast semiconductor device, it can be turned off and on very quickly and is capable of transmitting the narrow light pulses required in a digital fiber-optics system.

Light-emitting diode (LED)

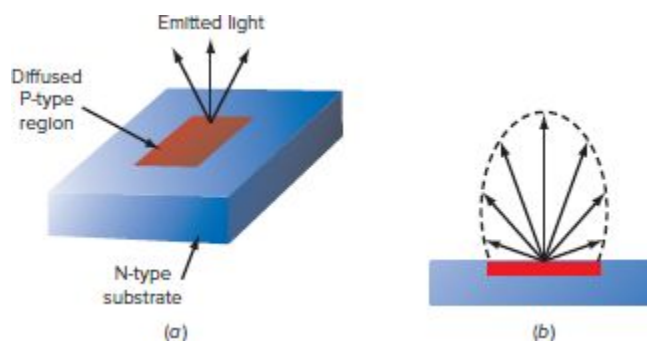
LEDs can be designed to emit virtually any color light desired. The LEDs used for fiber-optic transmission are usually in the red and near-infrared ranges. Typical wavelengths of LED light commonly used are 0.85, 1.31, and 1.55 μm , more commonly designated 850, 1310, and 1550 nm, where 1 micrometer (μm) equals 1000 nm. These frequencies are all in the near-infrared range just below red light, which is not visible to the naked eye. These frequencies have been chosen primarily because most fiber-optic cables have the lowest losses in these frequency ranges.

GOOD TO KNOW

The most widely used light source in fiber-optic systems is the injection laser diode, which produces a low-level light over a relatively broad frequency range with a low-level forward bias current or a brilliant light over a much narrower frequency range at the threshold.

One physical arrangement of the LED is shown in Fig. 20-27(a). A P-type material is diffused into the N-type substrate, creating a diode. Radiation occurs from the P-type material and around the junction. Fig. 20-27(b) shows a common light radiation pattern.

Figure 20-27 (a) Typical LED construction. (b) Light radiation pattern.



The light output from an LED is expressed in terms of power. Typical light output levels are in the 10- to $50\text{-}\mu\text{W}$ range. Sometimes the light output is expressed in dBm or dB referenced of 1 mW (milliwatt). Common levels are -15 to -30 dBm . Forward-bias current levels to achieve this power level are in the 50- to 200-mA range. High-output LEDs with output ratings in the 600- to $2500\text{-}\mu\text{W}$ range are also available.

A typical LED used for lighting is relatively slow to turn on and off. A typical turn-on/turn-off time is about 150 ns. This is too slow for most data communication applications by fiber optics. Faster LEDs capable of data rates up to 50 MHz are available. For faster data rates, a laser diode must be used.

Special LEDs are made just for fiber-optic applications. These units are made of *gallium arsenide* or *indium phosphide* (*GaAs* or *InP*) and emit light at $1.3\ \mu\text{m}$. Other LEDs with as many as six multiple layers of semiconductor material are used to optimize the device for a particular frequency and light output. Fig. 20-28 shows some LED assemblies made to accept ST bayonet and SMA fiber-optic cable connectors. These are made for PC board mounting.

Gallium arsenide (GaAs) semiconductor

Indium phosphide (InP) semiconductor

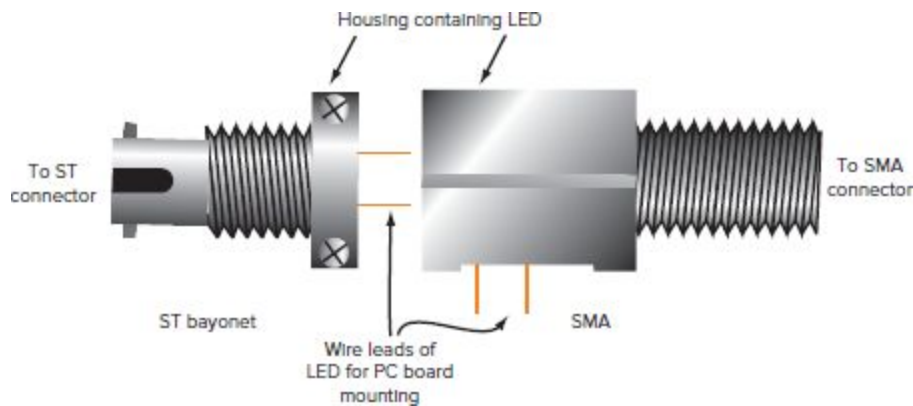


Figure 20-28 One of many types of LED assemblies with connectors.

Laser Diodes. The other commonly used light page 741 transmitter is a *laser*, which is a light source that emits coherent monochromatic light. *Monochromatic light* is a pure single-frequency light. Although an LED emits red light, that light covers a narrow spectrum around the red frequencies. *Coherent* refers to the fact that all the light waves emitted are in phase with one another. Coherence produces a focusing effect on a beam so that it is narrow and, as a result, extremely intense. The effect is somewhat similar to that of using a highly directional antenna to focus radio waves into a narrow beam that also increases the intensity of the signal.

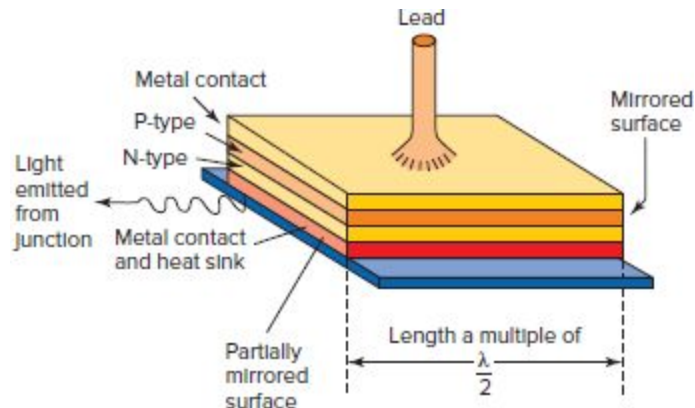
Laser

Monochromatic light

Coherent

The most widely used light source in fiber-optic systems is the *injection laser diode (ILD)*, also known as a *Fabry-Perot (FP) laser*. Like the LED, it is a PN junction diode usually made of GaAs. See Fig. 20-29. At some current level, it emits a brilliant light. The physical structure of the ILD is such that the semiconductor structure is cut squarely at the ends to form internal reflecting surfaces. One of the surfaces is usually coated with a reflecting material such as gold. The other surface is only partially reflective. When the diode is properly biased, the light is emitted and bounces back and forth internally between the reflecting surfaces. The distance between the reflecting surfaces has been carefully measured so that it is some multiple of a half wave at the light frequency. The bouncing back and forth of the light waves causes their intensity to reinforce and build up. The structure is like a cavity resonator for light. The result is an incredibly high-brilliance, single-frequency light beam that is emitted from the partially reflecting surface.

Figure 20-29 A Fabry-Perot injection laser diode.



Injection laser diode (ILD)

Fabry-Perot (FP) laser

Injection laser diodes are capable of developing [page 742](#) light power up to several watts. They are far more powerful than LEDs and, therefore, are capable of transmitting over much longer distances. Another advantage ILDs have over LEDs is their ability to turn off and on at a faster rate. High-speed laser diodes are capable of gigabit per second digital data rates.

Although most of the light emitted by an FP ILD is at a single frequency, light is also emitted at frequencies from slightly below to slightly above the main light frequency. As a result, the light occupies a narrow spectrum on the fiber. In systems using multiple light wavelengths, FP lasers can interfere with one another. To overcome this problem, a *distributed feedback (DFB) laser* can be used. This laser is made with a cavity that contains an integrated grating structure that acts as a selective filter. The output from a DFB laser has a much narrower bandwidth and is nearer to a single light wavelength than any other type of laser. FP and DFB lasers are the highest-power lasers made and are used primarily in long-distance fiber transmission and in metropolitan-area networks.

Distributed feedback laser (DFL)

Another type of laser used in fiber-optic systems is the *vertical-cavity surface-emitting laser (VCSEL)*. Instead of emitting light from the edge of the diode, the VCSEL is made on the surface of silicon wafer-like transistors and integrated circuits. The cavity is made vertical to the wafer surface so that light is emitted from the surface. VCSELs are very easy to make and low in cost. Furthermore, they can be made in arrays on the wafer surface. The output power emitted by a VCSEL is greater than that of an LED but less than that of an FB or a DFB laser. Its bandwidth is less than that of an LED but wider than that of either the FB or the DFB laser. This makes VCSELs ideal for short-distance LANs or MANs. Most VCSELs are 850 nm, but recently 1310-nm VCSELs became available.

Vertical cavity surface-emitting laser (VCSEL)

The most popular laser frequencies are 850, 1310, and 1550 nm. Some lasers are also made to operate at 980 and 1490 nm. The 850- and 1310-nm lasers are used mainly in LANs and in some MANs. The 1550-nm lasers are used primarily in long-distance fiber-optic systems because the fiber attenuation is less near 1550 nm than it is in the 850- and 1310-nm bands.

A recent development is a *tunable laser* whose frequency can be varied by changing the dc bias on the device or mechanically adjusting an external cavity. A wavelength range of more than 100 nm above and below a center wavelength is possible. Wider-range tunable lasers are being developed. Tunable lasers are used in applications where multiple frequencies are needed, as in DWDM. Instead of having to inventory many expensive lasers, each on a separate wavelength, a single laser or at most several lasers are adequate to cover multiple frequencies.

Tunable laser

The lasers are modulated by the data in two ways, direct and indirect. In direct modulation, the data turns the laser off and on to form the binary pulses. Actually the laser is never turned off completely but is kept biased on at a low light level because it takes too much time to turn the laser on. This limits the speed of operation. To generate a maximum light pulse, the bias is then increased to its peak value by a binary 1 level. This method works well up to about several gigabits per second, but for rates beyond this, an indirect modulator is used.

Lasers dissipate a tremendous amount of heat page 743 and, therefore, must be connected to a heat sink for proper operation. Because their operation is heat-sensitive, most lasers are used in a circuit that provides some feedback for temperature control. This not only protects the laser but also ensures proper light intensity and frequency. Many lasers use a thermoelectric cooler based upon the Peltier effect.

Light Transmitters

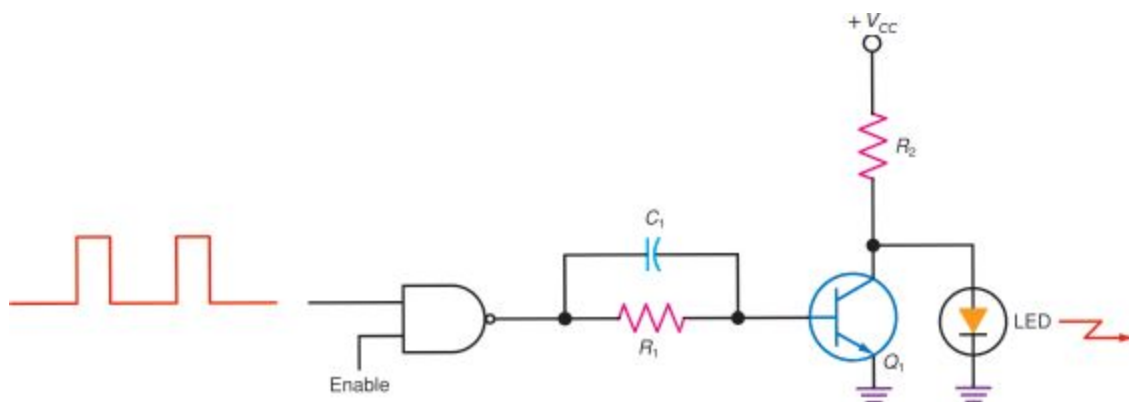
LED transmitter

LED Transmitter. A *light transmitter* consists of the LED and its associated driving circuitry. A typical circuit is shown in Fig. 20-30. The binary data pulses are applied to a logic gate, which in turn operates a transistor switch Q_1 that turns the LED off and on. A positive pulse at the NAND gate input causes the NAND output to go to zero. This turns off Q_1 , so the LED is then forward-biased through R_2 and turns on. With zero input, the NAND output is high, so that Q_1 turns on and shunts current away from the LED. Very high current pulses are used to ensure very bright light. High intensity is required if data is to be transmitted reliably over long distances. Most LEDs are capable of generating power levels

up to approximately several thousand microwatts. With such low intensity, LED transmitters are good for only short distances. Furthermore, the speed of the LED is limited. Turn-off and turn-on times are no faster than tens of nanoseconds, and so transmission rates are limited. Most LED-like transmitters are used for short-distance, low-speed, digital fiber-optic systems.

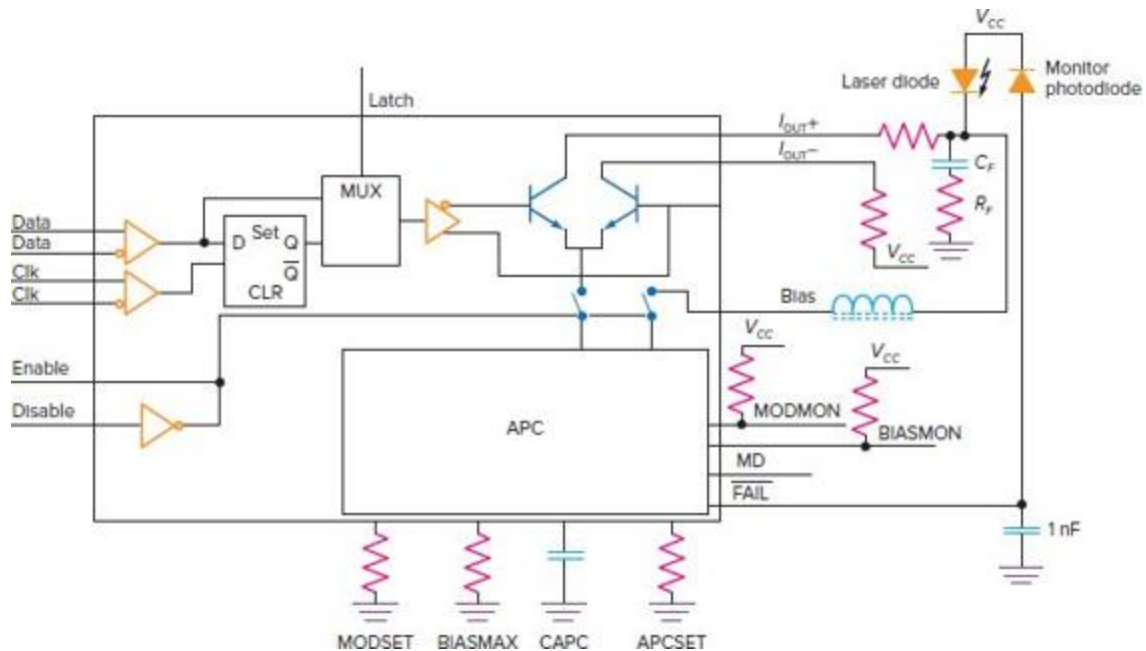
Light transmitter

Figure 20-30 Optical transmitter circuit using an LED.



Laser Transmitter. A typical laser driver circuit is shown in Fig. 20-31. Most of the circuitry is contained in a single integrated circuit designated the VSC7940 and made by Microsemi Corporation. It operates from 3.3 or 5 V and contains special automatic power control (APC) circuitry that maintains a constant laser output. This circuit can operate at data rates up to 3.125 Gbps.

Figure 20-31 A typical laser driver circuit. (Courtesy Microsemi Corp.)



The input data is in differential form, as are most logic signals above several hundred megahertz. A multiplexer is used to either pass the data directly to the laser driver transistors or select data that is clocked via a flip-flop and an external differential clock signal. Enable/disable signals are used to turn the laser off or on as desired.

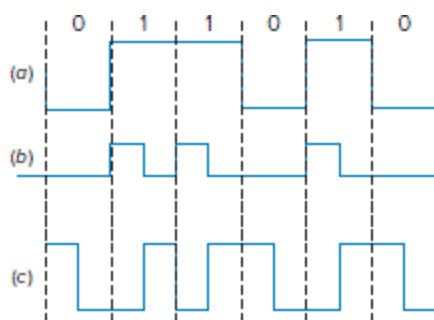
The laser diode is connected to the driver by means of several resistors and a capacitor that set the current and switching response. Most laser packages also contain a photodiode that is used to monitor the laser light output and provide feedback to the APC circuit in the chip. If laser output varies because of temperature variations or decreases because of lifetime variations, the APC automatically corrects this, ensuring a constant brightness. The output driver transistors can switch up to 100 mA and have typical rise and fall times of 60 ps. External resistors and capacitors set the laser bias, modulation bias level, average current, and control loop response time.

Data Formats. Digital data is formatted in a page 744 number of ways in fiber-optic systems. To transmit

information by fiber-optic cable, data is usually converted to a serial digital data stream. A common NRZ serial format is shown in Fig. 20-32(a). The NRZ format at A was discussed in Chap. 10. Each bit occupies a separate time slot and is either a binary 1 or binary 0 during that time period.

Data format

Figure 20-32 Data formats used in fiber-optic transmission. (a) NRZ (nonreturn-to-zero). (b) RZ (return-to-zero). (c) Biphas (Manchester).



In the RZ format of Fig. 20-32(b), the same time period is allotted for each bit, but each bit is transmitted as a very narrow pulse (usually 50 percent of the bit time) or as an absence of a pulse. In some systems, the Manchester or biphas code is used, as shown in Fig. 20-32(c). Although the NRZ code can be used, the RZ and Manchester codes are easier to detect reliably at the higher data rates and are thus preferred.

Optical Modulators

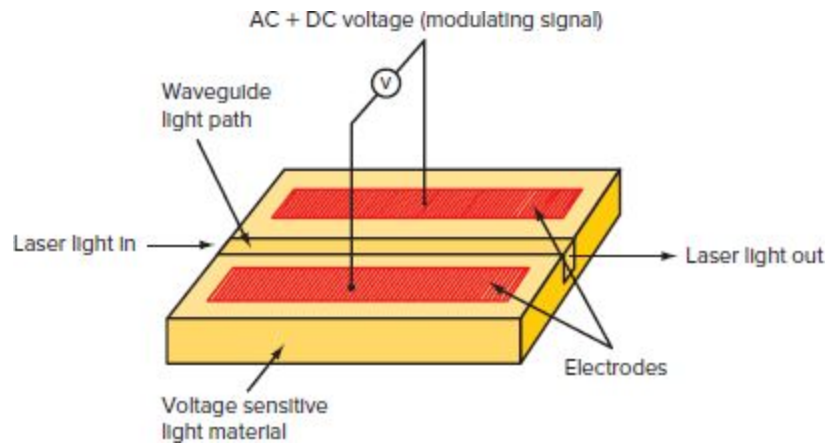
The most common way to modulate the laser beam is simply to turn the laser off and on in accordance with the binary data to be transmitted. This is called on-off keying (OOK). It is not desirable to turn the laser off completely, so the dc supply current to the laser is modulated by the binary data to produce amplitude-shift keying (ASK). While this

works at rates below several Gbps, it is not desirable at higher data rates. Varying the dc power to the laser produces frequency variation in the laser light; chirp, a kind of frequency modulation that occurs with a dc current change; and limited depth (percentage) of modulation. Therefore, at higher frequencies an external modulator is used.

External modulators are referred to as indirect modulators or electro-optical modulators (EOMs). One type of EOM is a semiconductor device physically attached to a laser that is fully on at all times. The modulator, sometimes called an *electroabsorption modulator (EAM)*, acts as an electrically activated shutter that is turned off and on by the data. Data rates from 10 Gbps to more than 40 Gbps can be achieved with an EAM. Sometimes the EAM is packaged with the laser, but it is also available as a separate component.

A popular EOM is the Mach-Zehnder (MZ) modulator. The MZ modulator uses an external electric field to control the refractive index of a material to produce a phase or polarization shift. See Fig. 20-33. It is based on the Pockel effect, which uses an external voltage to induce a phase delay or phase shift. The voltage used to produce a π (180°) phase shift is called V_π or the half-wave voltage. This voltage is a dc bias combined with a high-frequency sine wave that creates an electric field between the electrodes that causes the delay.

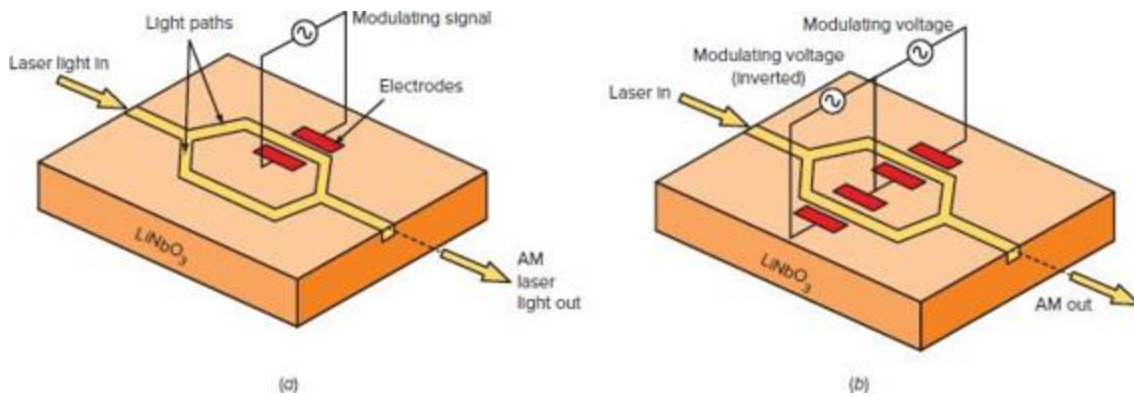
Figure 20-33 Sample EOM producing phase modulation.



To produce an amplitude change, an interferometer is used. The interferometer uses two equal paths of light from the laser that are mixed to aid or interfere with one another to convert a phase shift into an amplitude variation.

An MZ modulator is shown in Fig. 20-34(a). The base is made of a material that exhibits the Pockel effect. A popular material is lithium niobate (LiNbO_3). The laser is on continuously, and the light is split into two paths. In one path, the light just passes through. The other path is phase-modulated as described earlier. If the external voltage is not applied, no phase shift occurs. The light signals at the end of each path are combined in phase to form the output. If the two beams are in phase or add constructively, a strong light output occurs. This is a binary 1. If a large phase shift is introduced by applying the external modulating voltage, the two light beams will mix destructively, causing a low-intensity light or no light output. This is a binary 0. By varying the phase shift in the controlled path, amplitude modulation (AM) is produced.

Figure 20-34 A Mach-Zehnder modulator (a) single-path, (b) dual-path modulation.



In some MZ modulators, both light paths are modulated by the external signals, which are inverted from one another as shown in Fig. 20-34(b). This permits improved control of the light output, allowing continuous variable phase shifts and/or amplitude variations.

Light Detectors

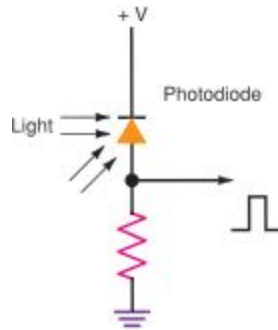
The receiver part of the optical communication system is relatively simple. It consists of a detector that senses the light pulses and converts them to an electric signal. This signal is amplified and shaped into the original serial digital data. The most critical component is the light sensor.

Photodiode. The most widely used light sensor is a *photodiode*. It is a silicon PN-junction diode that is sensitive to light. This diode is normally reverse-biased, as shown in Fig. 20-35. The only current that flows through it is an extremely small reverse leakage current. When light strikes the diode, this leakage current increases significantly. This current flows through a resistor and develops a voltage drop across it. The result is an output voltage pulse.

Photodiode

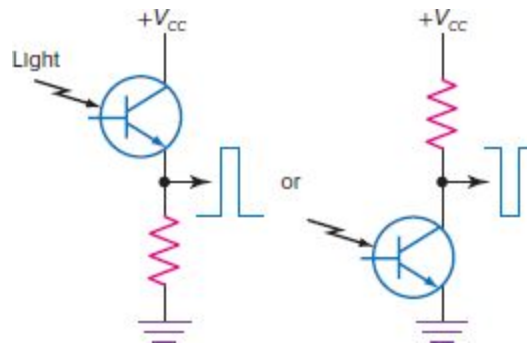
Phototransistor

Figure 20-35 The conversion of light, by a photodiode, to voltage pulses.



Phototransistor. The reverse current in a diode is extremely small even when exposed to light. The resulting voltage pulse is very small and so must be amplified. The base-collector junction is exposed to light. The base leakage current produced causes a larger emitter-to-collector current to flow. Thus the transistor amplifies the small leakage current into a larger, more useful output (see Fig. 20-36). Phototransistor circuits are far more sensitive to small light levels, but they are relatively slow. Thus further amplification and pulse shaping are normally used.

Figure 20-36 A phototransistor is more sensitive to the light level.

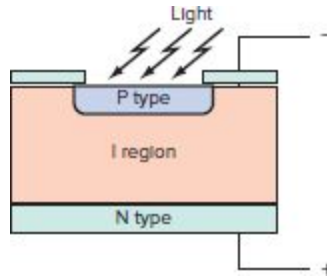


PIN Diode. The sensitivity of a standard PN-page 747 junction photodiode can be increased and the response time decreased by creating a new device that adds an undoped or *intrinsic (I) layer* between the P and N semiconductors. The result is a *PIN diode* (Fig. 20-37). The thin P layer is exposed to the light, which penetrates to the junction, causing electron flow proportional to the amount of

light. The diode is reverse-biased, and the current is very low until light strikes the diode, which significantly increases the current.

PIN diode

Figure 20-37 Structure of a PIN photodiode.



PIN diodes are significantly faster in response to rapid light pulses of high frequency. And their light sensitivity is far greater than that of an ordinary photodiode.

Avalanche Diode. The *avalanche photodiode (APD)* is a more widely used photosensor. It is the fastest and most sensitive photodiode available, but it is expensive and its circuitry is complex. Like the standard photodiode, the APD is reverse-biased. However, the operation is different. The APD uses the reverse breakdown mode of operation that is commonly found in zener and IMPATT microwave diodes. When a sufficient amount of reverse voltage is applied, an extremely high current flows because of the avalanche effect. Normally, several hundred volts of reverse bias, just below the avalanche threshold, are applied. When light strikes the junction, breakdown occurs and a large current flows. This high reverse current requires less amplification than the small current in a standard photodiode. Germanium APDs are also significantly faster than the other photodiodes and are capable of handling the very high gigabit-per-second data rates possible in some systems.

Avalanche photodiode (APD)

GOOD TO KNOW

The avalanche photodiode is the fastest and most sensitive photodiode available.

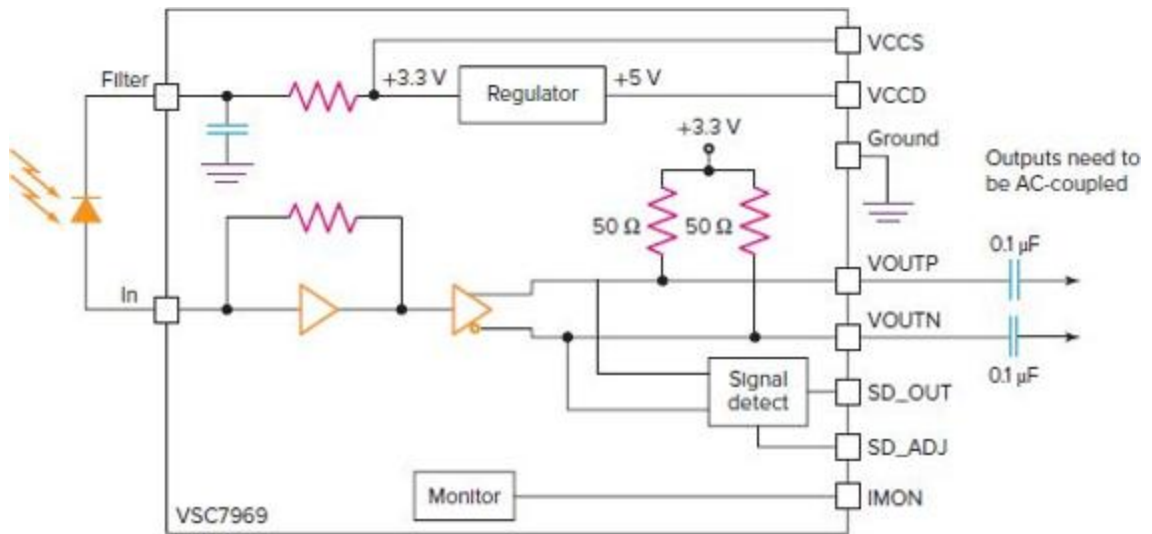
Light Receivers

Fig. 20-38 shows a representative *light receiver* circuit. This integrated circuit, the VSC7969 by Microsemi Corporation, uses an external PIN or APD photodiode and can operate at rates to 3.125 Gbps. The input stage, generally known as a *transimpedance amplifier (TIA)*, converts the diode current to an output voltage and amplifies it. The following stage is a limiter that shapes up the signal and applies it to a differential driver amplifier. The output is capacitively coupled to the next stage in the system. A signal detect circuit provides a CMOS logic output that indicates the presence of an input signal if the diode current exceeds a specific lower limit. A photodiode current monitor is also provided. The circuit operates from either 3.3 or 5 V dc, and an onboard regulator operates the circuitry and provides bias to the photodiode.

Light receiver

Transimpedance amplifier (TIA)

Figure 20-38 A transimpedance photodiode receiver circuit. (Courtesy Microsemi Corp.)



Optical Transceivers

page 748

Optical transceivers or transponders are assemblies called optical modules into which both the light transmitter and light receiver are packaged together to form a single module. See Fig. 20-39. These modules form the interface between the optical transmission medium and the electrical interface to the computer or other networking equipment.

Figure 20-39 A standardized optical transponder or transceiver.



Courtesy NeoPhotonics Corporation

These modules are made up of the *transmit optical subassembly (TOSA)* and the *receive optical subassembly (ROSA)*. Each is provided with an optical connector to get the signals into and out of the unit. These subassemblies connect to the interface circuits that supply the transmit signals and receive the input signals. The entire unit is housed in a metal enclosure suitable for mounting on a printed-circuit board of a router line card or other interface circuit.

Fig. 20-40 shows a block diagram of a typical transceiver module. The optical fiber cable connections are on the right, while the electrical connections to the networking equipment are on the left. The optical input fiber connects to a PIN diode or APD IR detector and TIA. The photodiode and TIA are a single package called the receive optical subassembly. This is followed by additional amplification in a *postamplifier (PA)*. If EDC is used, it appears here in the signal flow. The EDC output then connects to a *clock and data recovery (CDR)* unit.

to serial data by a serializer/deserializer circuit that serves as a multiplexer where the parallel words are put into a serial sequence for transmission. The serial data is clocked out of the multiplexer by a clock signal at the desired transmission rate.

A reference clock oscillator, usually external to the transceiver, is multiplied up to the desired clock rate by a *clock multiplier unit (CMU)*. The CMU is a PLL with a frequency divider in the feedback path used as a frequency multiplier. The serial data is then sent to the *laser driver (LD)*, where it operates the *directly modulated laser (DML)* diode. Direct modulation simply means that the data turns the laser off and on to transmit. In some modules that use higher-power, higher-frequency lasers, the serial data drives an external modulator that in turn interrupts the light path of a continuously operating laser. Note that the laser driver and modulated laser form a unit called the transmit optical subassembly.

Clock multiplier unit (CMU)

Finally, most transceivers include a serial port page 750 called the I²C port that is used to monitor specific conditions in the module (laser temperature, supply voltage, etc.) and to control some aspect of the module.

Over the years, a variety of such subassemblies have been developed by different manufacturers. This has led to interconnection and interoperability problems, meaning that units of different manufacturers cannot be used with one another. Lack of standardization meant that no second sources of products were possible. The result is that manufacturers of optical transceivers and network equipment have come together to standardize on optical transceiver sizes, mechanical characteristics, electrical characteristics, and connectors. A set of standards known as a *multisource agreements (MSAs)* has emerged. Referred to

as optical modules, the most common transceiver types are listed below.

Multisource agreements (MSAs)

300-pin. The most widely used format and standard. Converts between 16-bit 622.08-Mbps electric signals and 10-Gbps optical signals. See Fig. 20-40. For SONET system, 16-bit words are supplied at the 622.08-MHz rate and converted to serial data at a rate 16 times greater, or 9.953 Gbps. This serial rate is usually rounded off and expressed as 10 Gbps. The electrical interface is a standard called SPI-4 developed by the Optical Internetworking Foundation (OIF) or one called XSBI, developed by the IEEE. The data paths are for 16-bit words, and two-wire differential connection are used.

The standards listed below are still valid and in use:

QSFP. This is a quad small-form factor pluggable module that is designed to support four channels of 10 Gbps, making it suitable for 40-Gbps Ethernet, SONET/SDH, Fibre Channel, and Infiniband. A QSFP+ module provides four channels of 28 Gbps.

SFF. Small form factor. A module developed for lower-speed optical applications in the 1-, 2-, and 4-Gbps range.

SFP. Small form factor pluggable. A module of 1-, 2-, or 4-Gbps applications but is “pluggable,” meaning that it uses fiber-optic cable connectors rather than the short fiber links used with SFF modules. The modules are also “hot pluggable,” meaning that they may be put into or taken out of the system with power on. Their circuits are protected from transients and surges that may occur during hot pluggability.

SFP+. This is an enhanced small-form factor pluggable module. It supports data rates to 10 Gbps and is

compatible with 10-Gbps Ethernet, 8-Gbps Fibre Channel, and OTN OTU2.

CXP C Form Factor Pluggable. CXP and CXP2 support Infiniband and Ethernet to 100 Gbps.

CFP C Form Factor Pluggable (100g). This is for optical transceiver form factors supporting 40 Gbps and 100 Gbps.

The MSAs listed below have been declared obsolete, but many are still in use:

XENPAK. A standard for a 10-Gbps optical system using the standard Ethernet 10-Gbps attachment unit interface (XAUI) electrical interface. (Note: The X is a roman numeral for 10.) The XAUI interface uses four 3.125-Gbps serial electrical channels to achieve a maximum data rate of $4 \times 3.125 = 12.5$ Gbps. This is the gross serial optical rate in 10-Gbps Ethernet systems. The net rate is 10 Gbps, but because of the 8B/10B error correction feature of this protocol, the additional bits cause the gross rate to be higher by a factor of 10/8: $10 \times 1.25 = 12.5$ Gbps.

X2. This standard is similar to XENPAK but is a smaller and less complex package because it does not have to deal with the high heat dissipation common in XENPAK modules. X2 is used in the shorter-reach applications.

XFP. A 10-Gbps small form factor pluggable. It does not use serial-to-parallel or parallel-to-serial conversion. The electrical interface is a standard 10-Gbps serial interface referred to as XFI. The input and output frequency range is 9.95 to 10.7 Gbps.

XPAK. This is a smaller version of a XENPAK module for reaches to 10 km.

page 751

Most of these modules focus on 10-Gbps applications, which include SONET, Ethernet, and Fibre Channel. Each has

a slightly different data rate depending on the standard, use of FEC or not, type of FEC, and other factors. However, the modules are essentially “protocol-agnostic,” meaning they can handle any standard or protocol. The modules are also generally classified by the range or reach of the optical signals. The basic categories are

Very short reach (VSR)—300 to 600 m or less

Short reach (SR)—2 km

Intermediate reach (IR)—10 to 40 km

Long reach (LR)—40 to 80 km

Very long reach (VLR)—120 km

The VSR and SR modules use 850-nm lasers; some SR and LR modules use 1310-nm lasers. The LR and VLR modules use 1550-nm lasers.

Performance Considerations

The most important specification in a fiber-optic communication system is the *data rate*, i.e., the speed of the optical pulses. The very best systems use high-power injection laser diodes and APD detectors. This combination can produce data rates of several billion (giga) bits per second (bps). The rate is known as a *gigabit rate*. Depending upon the application, data rates can be anywhere from about 20 Mbps, 40 Gbps, or 100 Gbps.

Data rate

The performance of a fiber-optic cable system is usually indicated by the *bit rate-distance product*. This rating tells the fastest bit rate that can be achieved over a 1-km cable. Assume a system with a 100-Mbps·km rating. This is a constant figure and is a product of the megabits per second and the kilometer values. If the distance increases, the bit rate decreases in proportion. In the above system, at 2 km

the rate drops to 50 Mbps. At 4 km, the rate is 25 Mbps and so on.

The upper data rate is also limited by the dispersion factor. The rise and fall times of the received pulse are increased by an amount equal to the dispersion value. If the dispersion factor is 10 ns/km, over a 2-km distance the rise and fall times are increased by 20 ns each. The data rate can never be more than the frequency corresponding to the sum of the rise and fall times at the receiver.

A handy formula for determining the maximum data rate R in megabits per second (Mbps) for a given distance D in kilometers of cable with a dispersion factor of d , given in microseconds per kilometer ($\mu\text{s}/\text{km}$), is

$$R = \frac{1}{5dD}$$

Assume a cable length of 8 km and a dispersion factor of 10 ns/km, or $0.01 \mu\text{s}/\text{km}$:

$$R = \frac{1}{5(0.01)(8)} = \frac{1}{0.4} = 2.5 \text{ Mbps}$$

This relationship is only an approximation, but it is a handy way to predict system limitations.

Example 20-3

A measurement is made on a fiber-optic cable 1200 ft long. Its upper frequency limit is determined to be 43 Mbps. What is the dispersion factor d ?

$$\begin{aligned}
 1 \text{ km} &= 3274 \text{ ft} \\
 D &= 1200 \text{ ft} = \frac{1200}{3274} = 0.367 \text{ km} \\
 R &= \frac{1}{5dD} \\
 d &= \frac{1}{5RD} \\
 &= \frac{1}{5(43 \times 10^6)(0.367)} = 12.7 \text{ ns/km}
 \end{aligned}$$

Power Budget

A *power budget*, sometimes called a *flux budget*, is an accounting of all the attenuation and gains in a fiber-optic system. Gains must be greater than losses for the system to work. A designer must determine whether an adequate amount of light power reaches the receiver. Does the receiver get as much input light as its sensitivity dictates, given the power output of the transmitter and all the cable and other losses?

Power (flux) budget

Losses. There are numerous sources of *losses* in a fiber-optic cable system:

Losses in fiber-optic cable system

1. **Cable losses.** These vary with the type of cable and its length. The range is from less than 1 dB/km up to tens of decibels per kilometer.
2. **Connections between cable and light source and photodetector.** These vary widely depending upon how they are made. Today, the attachment is made by the manufacturer, who specifies a loss factor. The resulting assembly has a connector to be attached to the cable. Such terminations can produce attenuations of 1 to 6 dB.

3. **Connectors.** Despite their precision, connectors still introduce losses. These typically run from 0.5 to 2 dB each.
4. **Splices.** If done properly, the splice may introduce an attenuation of only a few tenths of a decibel. But the amount can be much more, up to several decibels if splicing is done incorrectly.
5. **Cable bends.** If a fiber-optic cable is bent at too great an angle, the light rays will come under a radically changed set of internal conditions. The total internal reflection will no longer be effective, for angles have changed due to the bend. The result is that some of the light will be lost by refraction in the cladding. If bend radii are made 1000 times more than the diameter of the cable, the losses are minimal. Decreasing the bend radius to less than about 100 times the cable diameter will increase the attenuation. A bend radius approaching 100 to 200 times the cable diameter could cause cable breakage or internal damage.

All the above losses will vary widely depending upon the hardware used. Check the manufacturer's specifications for every component to be sure that you have the correct information. Then, as a safety factor, add 5 to 10 dB of loss. This contingency factor will cover incidental losses that cannot be predicted.

Calculating the Budget. The losses work against the light generated by the LED or ILD. The idea is to use a light power sufficient to give an amount of received power in excess of the minimum receiver sensitivity with the losses in the system.



Asharkyu/Shutterstock

Assume a system with the following specifications:

1. Light transmitter LED output power: $30 \mu\text{W}$
2. Light receiver sensitivity: $1 \mu\text{W}$
3. Cable length: 6 km
4. Cable attenuation: 3 dB/km, $3 \times 6 = 18 \text{ dB total}$
5. Four connectors: attenuation 0.8 dB each, $4 \times 0.8 = 3.2 \text{ dB total}$
6. LED-to-connector loss: 2 dB
7. Connector-to-photodetector loss: 2 dB
8. Cable dispersion: 8 ns/km
9. Data rate: 3 Mbps

First, calculate all the losses; add all the decibel loss factors.

$$\text{Total loss, dB} = 18 + 3.2 + 2 + 2 = 25.2 \text{ dB}$$

Also add a 4-dB contingency factor, making the total loss $25.2 + 4$, or 29.2, dB. What power gain is needed to overcome this loss?

$$\text{dB} = 10 \log \frac{P_t}{P_r}$$

where P_t is the transmitted power and P_r is the received power

$$29.2 \text{ dB} = 10 \log \frac{P_t}{P_r}$$

Therefore,

$$\frac{P_t}{P_r} = 10^{\text{dB}/10} = 10^{2.92} = 831.8$$

If P_t is $30 \mu\text{W}$, then

page 754

$$P_r = \frac{30}{831.8} = 0.036 \mu\text{W}$$

Accordingly, the received power will be $0.036 \mu\text{W}$. The sensitivity of the receiver is only $1 \mu\text{W}$. The received signal is below the threshold of the receiver. This problem may be solved in one of three ways:

1. Increase transmitter power.
2. Get a more sensitive receiver.
3. Add a repeater.

In an initial design, the problem would be solved by increasing the transmitter power and/or increasing receiver sensitivity. Theoretically a lower-loss cable could also be used. Over short distances, a repeater is an unnecessary expense; therefore, using a repeater is not a good option.

Assume that the transmitter output power is increased to 1 mW or $1000 \mu\text{W}$. The new received power then is

$$P_r = \frac{1000}{831.8} = 1.2 \mu\text{W}$$

This is just over the threshold of the receiver sensitivity. Now, we can determine the upper frequency or data rate.

$$R = \frac{1}{5dD} = \frac{1}{5(0.008)(6)} = 4.1666 \text{ Mbps}$$

This is higher than the proposed data rate of 3 Mbps, so the system should work.

Regeneration and Amplification. There are several ways to overcome the attenuation experienced by a signal as it travels over fiber-optic cable. First is to use newer types of cable that inherently have lower losses and fewer dispersion effects. The second method is to use regeneration. *Regeneration* is the process of converting the weak optical signal to its electrical equivalent, then amplifying and reshaping it electronically, and retransmitting it on another laser. This process is generally known as *optical-electrical-optical (OEO) conversion*. It is an expensive process, because in most systems regeneration is necessary about every 40 km of distance, even with the newer lower-attenuation cables. This process is especially expensive in multifrequency systems such as DWDM, in which many signals must undergo OEO conversion.

Amplification

Regeneration

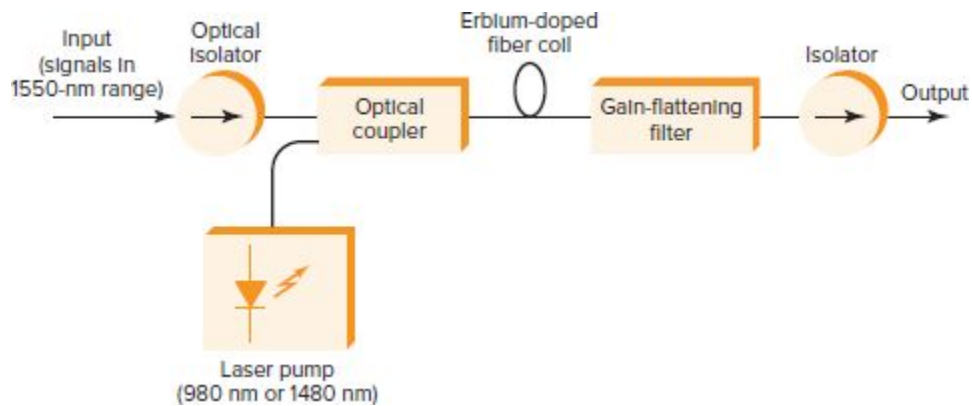
Optical-electrical-optical (OEO) conversion

A third method, and the best, is to use an optical amplifier. Optical amplifiers boost signal level without OEO conversion. A typical optical amplifier is the *erbium-doped fiber amplifier (EDFA)* shown in Fig. 20-41. The weak optical input signal is applied to an optical isolator to prevent signal reflections. This signal is then applied to an optical combiner that linearly mixes the signal to be amplified with one generated by an internal laser diode pump. The laser pump

operates at a higher frequency (lower wavelength) than the wavelength of the signals to be amplified. If 1550-nm signals are being amplified, the pump laser operates at 980 or 1480 nm.

Erbium-doped fiber amplifier (EDFA)

Figure 20-41 An erbium-doped fiber amplifier.



The combined signals are then fed into a coiled page 755 length of optical fiber that has been heavily doped with erbium ions. (Erbium is one of the rare earth elements.) The laser pump signal excites the erbium atoms to a higher-energy state. When the photons produced by the input signal pass through the erbium fiber, they interact with the excited erbium atoms, causing them to relax to their normal state. During this process, additional photons are released at the same wavelength of the input signals, resulting in amplification. A single EDFA produces a gain in the range of 15 to 20 dB. When two amplifiers with independent pump lasers and doped fiber coils are cascaded, a composite gain of up to 35 dB is possible. With such amplification, the signals can be transmitted over a distance of up to almost 200 km without OEO regeneration.

GOOD TO KNOW

A laser pump uses a coil of erbium-doped fiber to release additional photons at the same frequency as the input photons.

20-5 Wavelength-Division Multiplexing

Data is most easily multiplexed on fiber-optic cable by using time-division multiplexing (TDM), as in the T1 system or in the SONET system described later in this chapter. However, developments in optical components make it possible to use frequency-division multiplexing (FDM) on fiber-optic cable (called *wavelength-division multiplexing*, or *WDM*), which permits multiple channels of data to operate over the cable's light wave bandwidth.

Wavelength-division multiplexing (WDM)

Wavelength-division multiplexing, another name for frequency-division multiplexing, has been widely used in radio, TV, and telephone systems. The best example today is the multiplexing of dozens of TV signals on a common coaxial cable coming into the home.

In WDM, different frequencies or “colors” of infrared light are employed to carry individual data streams. These are combined and carried on a single fiber. Although frequency as a parameter is more widely used to distinguish the location of wireless signals below 300 GHz, at light frequencies the wavelength parameter is the preferred measure.

Remember that the relationship between wavelength λ in meters and frequency f is $f = c/\lambda$, where c is the speed of light in a vacuum or 2.998×10^8 m/s. The speed of light in fiber cable is a bit less than that, or about 2.99×10^8 m/s. Optical wavelength is usually expressed in nanometers or micrometers. Optical frequencies are expressed in terahertz (THz), or 10^{12} Hz.

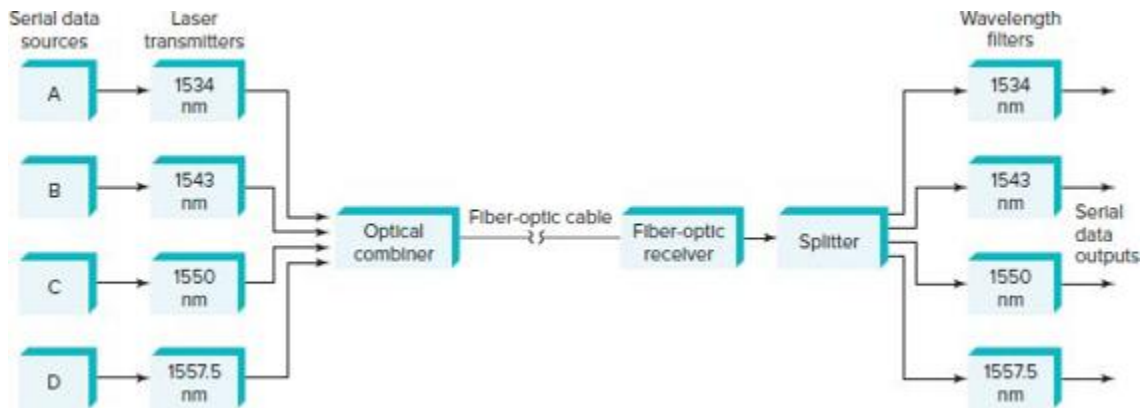
Data to be transmitted in a fiber-optic network is used to modulate (by OOK or ASK) a laser-generated IR light. Infrared signals best match the light-carrying characteristics of fiber-optic cable, which has an attenuation response to IR light such that the lowest attenuation (about 0.2 dB/km) occurs in two narrow bands of frequencies, one centered at 1310 nm and the other at 1550 nm.

Coarse Wavelength-Division Multiplexing

The first *coarse WDM (CWDM) systems* used two channels operating on 1310 and 1550 nm. Later, four channels of data were multiplexed. Fig. 20-42 illustrates a CWDM system. A separate serial data source controls each laser. The data source may be a single data source or a multiple TDM source. Current systems use light in the 1550-nm range. A typical four-channel system uses laser wavelengths of 1534, 1543, 1550, and 1557.4 nm. Each laser is switched off and on by the input data. The laser beams are then optically combined and transmitted over a single-fiber cable. At the receiving end of the cable, special optical filters are used to separate the light beams into individual channels. Each light beam is detected with an optical sensor and then filtered into the four data streams.

Coarse wavelength-division multiplexing (CWDM)

Figure 20-42 A CWDM fiber-optic system.



Dense Wavelength-Division Multiplexing

DWDM refers to the use of 8, 16, 32, 64, or more data channels on a single fiber. Standard channel wavelengths have been defined by the International Telecommunications Union (ITU) as between 1525 and 1565 nm with a 100-GHz (approximately 0.8-nm) channel spacing.

The block of channels between about 1525 and 1565 nm is called the *C* or *conventional band*. Most DWDM activity currently occurs in the C band. Another block of wavelengths from 1570 to 1610 nm is referred to as the *long-wavelength band*, or *L band*. Wavelengths in the 1525- to 1538-nm range make up the *S band*.

C or conventional band

Long-wavelength band, or L band

Current DWDM systems allow more than 160 individual data channels to be carried simultaneously on a single fiber at data rates up to 40 Gbps, giving an overall capacity of 160×40 , or 6400, Gbps (6.4 Tbps). The potential for future systems is over 200 channels per fiber at a data rate of 40 Gbps. Even more channels can be transmitted on a single fiber as better filters and optical components called *splitters* become available to permit 50-, 25-, or even 12.5-GHz channel spacing.

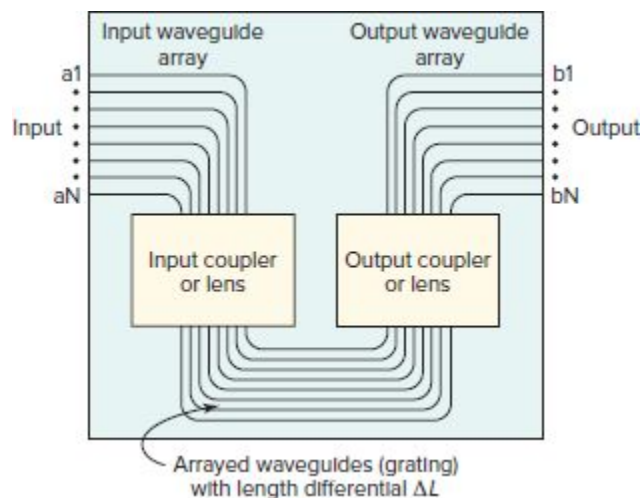
Splitters

The key components in a DWDM system are the multiplexer and demultiplexer and the multiwavelength lasers discussed elsewhere in this chapter. Numerous methods have been developed over the years to add and separate optical signals. Optical couplers can be used for multiplexing, and optical filters such as fiber Bragg gratings or thin films can be implemented for demultiplexing. But the one method that appears to be emerging as the most popular is the *arrayed waveguide grating (AWG)*. This device is an array of optical waveguides of different lengths made with silica (SiO_2) on a silicon chip, and it can be used for both multiplexing and demultiplexing.

Arrayed waveguide grating (AWG)

Fig. 20-43 shows the concept of an AWG. The multiple inputs are fed into a cavity or coupler region that acts as a lens to equally divide the inputs to each of the waveguides. Every waveguide in the grating has a length L that differs from its neighbor by ΔL . This produces a phase difference in the beams coming out of the gratings into an output cavity.

Figure 20-43 General concept of an array waveguide grating.



The output cavity acts as a lens to refocus the beams from all the grating waveguides onto the output waveguide array. Any output contains the multiplexed inputs. For demultiplexing, the single multiwavelength input signal is applied to any of the inputs where the signals of different wavelengths propagate through the grating. The grating acts as multiple filters to separate the signals into individual paths that appear at the multiple outputs.

AWGs are popular because they are relatively easy to produce with standard semiconductor processes, making them very inexpensive. They have very low insertion loss and low cross talk. A typical unit has 32 or 40 inputs and 32 or 40 outputs with 100-GHz spacing on ITU grid wavelengths. Some products have up to 64 or 80 input and output channels, and devices with higher channel counts are under development. AWG insertion loss is in the 2- to 4-dB range with 20 to 30 dB of adjacent channel cross talk attenuation.

20-6 Passive Optical Networks

The primary applications for fiber-optic networks are in wide-area networks such as long-distance telephone service and the Internet backbone. As speeds have increased and prices have declined, fiber-optic technology has been adopted into metropolitan-area networks (MANs), storage-area networks (SANs), and local-area networks (LANs). The most widely used of these technologies—SONET, Ethernet, and Fibre Channel—have been discussed in previous chapters.

Another type of fiber-optic system is the *passive optical network (PON)*, a type of MAN technology. This technology is also referred to as *fiber to the home (FTTH)*. Similar terms

are *fiber to the premises* or *fiber to the curb*, designated as *FTTP* or *FTTC*. The term *FTTx* is used, where *x* represents the destination. PONs are already widely used in Japan and Korea. In the United States, AT&T, Google, and Verizon already have PONs in place.

Passive optical network (PON)

Fiber to the home (FTTH)

The PON Concept

Most optical networking uses active components to perform optical-to-electrical and electrical-to-optical conversions during transmission and reception. These conversions are expensive because each requires a pair of transceivers and the related power supply. Over long distances, usually 10 to 40 km or more, repeaters or optical amplifiers are necessary to overcome the attenuation, restore signal strength, and reshape the signal. These OEO repeaters and amplifiers are a nuisance as well as expensive and power-hungry. One solution to this problem is to use a passive optical network. The term *passive* implies no OEO repeaters, amplifiers, or any other device that uses power. Instead, the transmitter sends the signal out over the network cable, and a receiver at the destination picks it up. There are no intervening repeaters or amplifiers. Only passive optical devices such as splitters and combiners are used. By using low-attenuation fiber-optic cable, powerful lasers, and sensitive receivers, it is possible to achieve distances of up to about 20 km without intervening active equipment. This makes PONs ideal for MANs.

Passive

The PON method has been adopted by telecommunications carriers as the medium of choice for their very high-speed broadband Internet connections to

consumers and businesses. These metropolitan networks cover a portion of a city or a similar-size area. PONs will be competitive with cable TV and DSL connections but faster than both. Using optical techniques, the consumer can have an Internet connection speed of 100 Mbps to 1 Gbps or higher. This is much faster than many cable TV and DSL connections. And PONs make digital TV distribution more practical.

PON Technologies

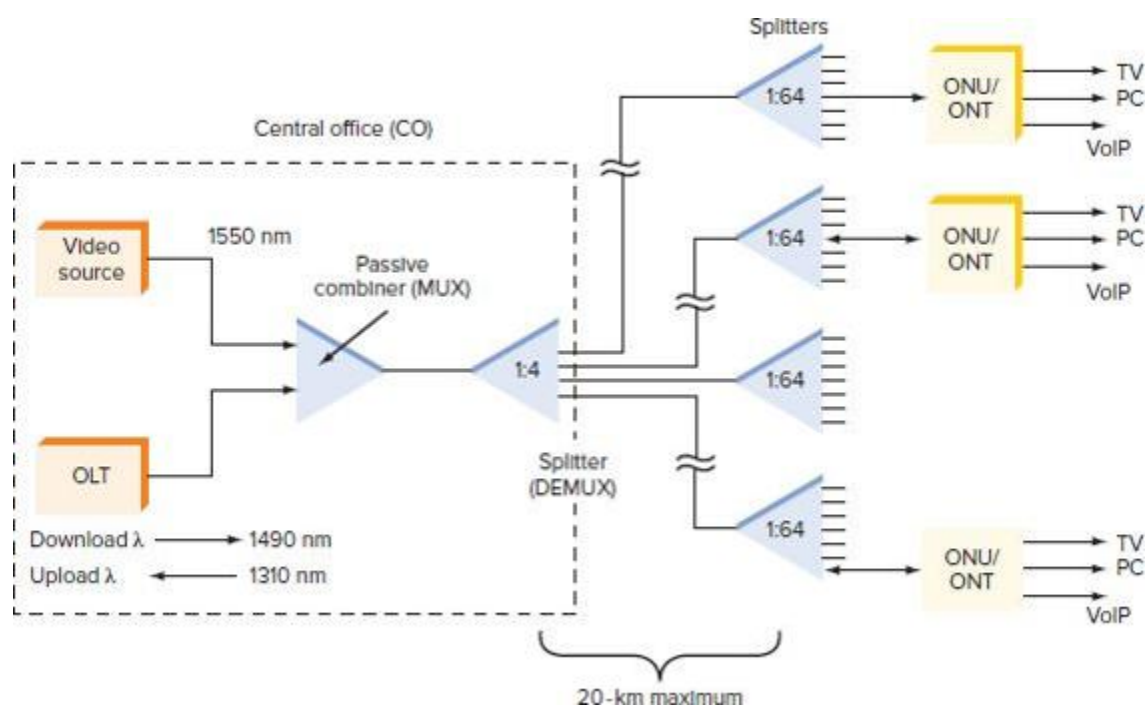
There are several different types of PONs and standards. There are two groups of standards: one managed by the International Telecommunications Union (ITU) and the other handled by the Institute of Electrical and Electronic Engineers (IEEE). A summary of both is covered here.

ITU PON. The ITU standards are all designated as G.983 and G.984. The earliest standard, called APON, was based on ATM packets and featured speeds of 155.52 and 622.08 Mbps. A more advanced version, called BPON, features a data rate up to 1.25 Gbps. The most recent version is a superset of BPON, called GPON, for Gigabit PON. It provides download speeds up to 2.5 Gbps and upload speeds up to 1.25 Gbps. One of the key features of GPON is that it uses encapsulation, a technique that makes it protocol-agnostic. Any type of data protocol including TDM (such as T1 or SONET) or Ethernet can be transmitted.

Fig. 20-44 shows a basic block diagram of a BPON/GPON network. The carrier central office (CO) serves as the Internet service provider (ISP), TV supplier, or telephone carrier as the case may be. The equipment at the carrier central office (CO) is referred to as the optical line terminal (OLT). It develops a signal on 1490 nm for transmission (download) to the remote terminals. This signal carries all

Internet data and any voice signals as in Voice over IP (VoIP). If TV is transmitted, it is modulated on to a 1550 nm laser. The 1550 and 1490 nm outputs are mixed or added in a passive combiner to create a CWDM signal. This master signal is then sent to a passive splitter that divides the signal into four equal power levels for transmission over the first part of the network. In BPON the data rate is 622 Mbps or 1.25 Gbps but with GPON it is 2.5 Gbps.

Figure 20-44 A passive optical network (PON) used as a high-speed Internet connection and for TV distribution in fiber to the home systems.



Additional splitters are used along the way to further split the signals for distribution to multiple homes. Splitters are available to divide the power by 2:1, 4:1, 8:1, 16:1, 32:1, 64:1, and 128:1. One OLT can transmit to up to 64 destinations up to about 20 km. The upper limit may be 16 devices depending upon the ranges involved. Just remember that each time the signal is split, its power is decreased by the split ratio. The power out of each port on a

4:1 splitter is only one-fourth of the input power. Splitters are passive demultiplexers (DEMUX).

Note also, because the splitters are optical page 759 devices made of glass or silicon, they are bidirectional. They also serve as combiners in the opposite direction. In this capacity, they serve as multiplexers (MUX).

At the receiving end, each subscriber has an *optical networking unit (ONU)* or *optical networking terminal (ONT)*. These boxes connect to your PC, TV set, and/or VoIP telephone. The ONU/ONT is a two-way device, meaning that it can transmit as well as receive. In VoIP or Internet applications, the subscriber needs to transmit voice and dialing data back to the OLT. This is done over a separate 1310-nm laser using the same fiber-optic path. The splitters are bidirectional and also work as combiners or multiplexers. The upload speed is 155 Mbps in BPON and 1.25 Gbps in GPON.

Optical networking unit (ONU) or optical networking terminal (ONT)

The latest version of GPON is 10-Gigabit (Gb) GPON, called XGPON or 10G-PON. It can achieve 10 Gbps downstream on 1577 nm and 2.5 Gbps upstream on 1270 nm. These different wavelengths allow it to coexist with existing GPON services. The split ratio is 128:1. Most new installations will use XGPON. Another version is XGS-PON (ITU G.987), which features 10 Gbps down and 10 Gbps up. One more variant is NG-PON2 (ITU G.989) that also implements 10 Gbps up and down. Data formatting is the same as for standard GPON.

IEEE PON. Another widely used standard is EPON, or Ethernet PON. The IEEE standard is 802.3ah. While BPON and GPON have been adopted as the North American PON standard, EPON is the de facto PON standard in Japan, Korea, and some European nations. EPON is one part of the popular IEEE Ethernet standard and is designated 802.3ah.

You will also hear it referred to as *Ethernet in the first mile (EFM)*. The term *first mile* refers to that distance between the subscriber and any central office. Sometimes it is also called the *last mile*.

Ethernet in the first mile (EFM)

The topology of EPON is similar to that of GPON, but the downstream and upstream data rates are symmetric at 1.25 Gbps. The downstream is on 1490 nm while the upstream is on 1310 nm. Standard Ethernet packets are transmitted with a data payload to 1518 bytes. A real plus for EPON is that because it is Ethernet, it is fully compatible with any other Ethernet LAN.

The latest version of EPON is designated 802.3av. It can achieve 10 Gbps upstream and downstream on wavelengths of 1575–1580 nm and 1260–1280 nm, respectively. A 1-Gbps upstream version is available. Both 802.av and 802.ah standards may be supported on a single PON since they use different wavelengths.

While PONs provide the ultimate in bandwidth and data rate for home broadband connections, they are expensive. Carriers must invest in a huge infrastructure that requires rewiring the area served, again. Fiber-optic cables are mostly laid underground, but that process is expensive because right-of-way must be bought and trenches dug. Cables can be carried overhead on existing poles at less expense, but the effect is less aesthetically pleasing.

FTTH is growing in popularity as more TV and video are delivered over the Internet. Verizon was first, with its FiOS service, but now Google, AT&T, and others are installing FTTH and delivering related video services as well as Internet connectivity up to 1 Gbps per user.

While some PON services, such as Verizon's FiOS service, take the fiber directly to the home, other fiber-optical systems rely on the standard POTS twisted-pair cable that is already in place virtually everywhere. In such cases, the

fiber cable is run to a neighborhood terminal or gateway. Such a gateway may also serve an apartment complex or multiunit dwelling such as a condominium building. Then the signals are distributed over the standard twisted-pair telephone cable that is already in place. This limits the speeds to the capability of the wired system that may be an ADSL or VDSL version. Rarely can rates beyond 100 Mbps be achieved.

20-7 400-Gbps Networks and Beyond

As the Internet has grown and the demand for more Internet services has increased, the need for higher network speeds has also become necessary. Most of the demand has come from the massive increase in video over the Internet as well as a significant increase in wireless network growth and its attendant demands for higher speeds. Local area networks have kept pace with the Gigabit Ethernet and 10-Gb Ethernet standards and equipment. Long-haul fiber networks have also attempted to keep pace with rate increases to 40-Gbps and 100-Gbps systems. Today we have 400-Gbps systems and the quest for higher speeds is ongoing. As this is written, work has already begun on 800-Gbps and 1600-Gbps standards.

40/100-Gbps Ethernet

Chap. 14 summarized the various forms of 40- and 100-Gbps Ethernet as defined by the IEEE 802.3ba standard. The short-range versions are copper-cable-based. The longer range versions are fiber-based as summarized in Table 20-2.

Table 20.2 | **Optical Versions of IEEE 802.3ba**

Ethernet			
Physical Layer (medium)	Range (meters) UP to . . .	40GE	100GE
MMF (OM3)	100 m	40GBASE-SR4	100GBASE-SR10
MMF (OM4)	125 m	40GBASE-SR4	100GBASE-SR10
SMF	2 km	40GBASE-FR	
SMF	10 km	40GBASE-LR4	100GBASE-LR4
SMF	40 km		100GBASE-ER4

The basic format is 4 lanes of 10-Gbps signals for 40 Gbps and 10 lanes of 10 Gbps or 4 lanes of 25 Gbps for 100 Gbps. A lane as defined here refers to either a single fiber or one light wavelength (λ) on a single fiber. While some 40-Gbps systems have been implemented, the greatest interest and focus is on 100-Gbps systems. That is the emphasis in this section.

The 100GBASE-SR10 standard defines 10 lanes of 10 Gbps for transmit and another 10 for receive. The lanes use OM3 fiber and 850-nm VCSEL lasers for a range of up to 100 meters, or OM4 cable that will achieve a range up to 125 meters.

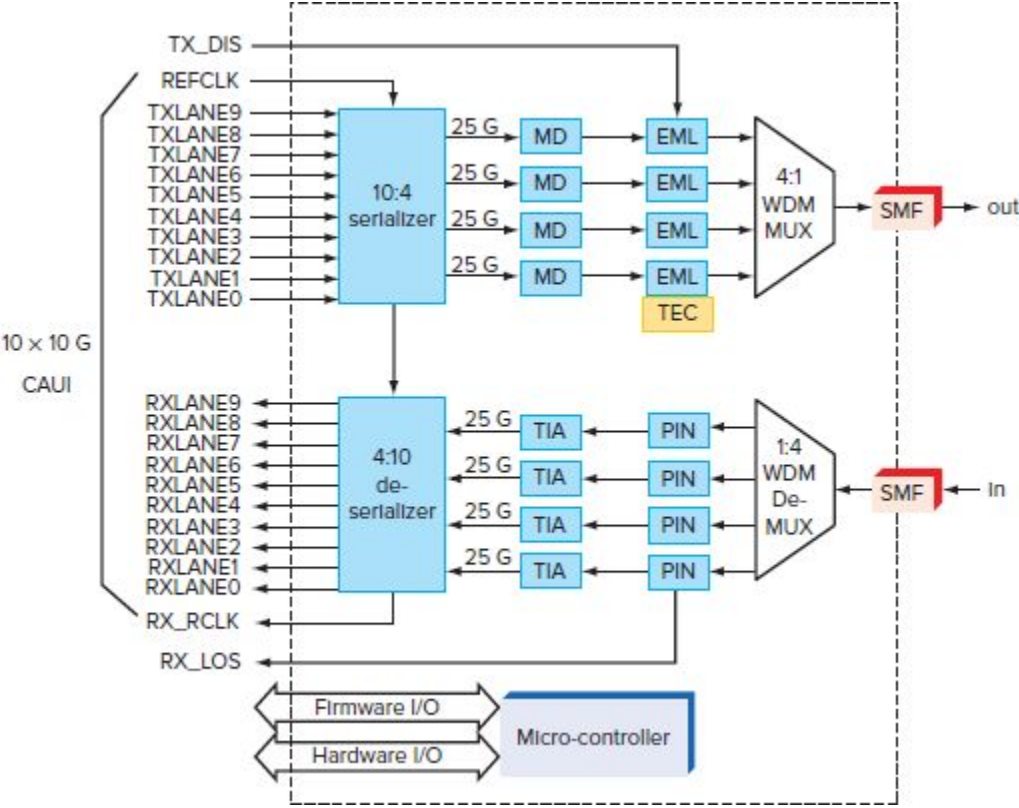
The 100GBASE-LR4 standard is based on DWDM. It uses four lanes or wavelengths on a pair of single-mode fibers, one for transmit and one for receive. The wavelengths used are 1295, 1300, 1305, and 1310 nm. The net data rate per wavelength is 25 Gbps. The effective range is up to 10 km.

The 100GBASE-ER4 is similar to the LR4 version but includes amplification to achieve up to 40-km range. A single-lane (λ) version of 100 Gbps is being developed.

Fig. 20-45 shows the basic implementation of a 100GBASE-LR4 transceiver. The data source and destination are the 100-Gb Attachment Unit Interface (CAUI). C is the Roman numeral for 100. This is a 10 × 10 interface that links to the equipment being interconnected, such as a server, router, or switch. The upper section is the transmitter. It accepts 10 lanes of 10-Gbps data and

translates them into four lanes of 25 Gbps with a 10:4 serializer. The 10:4 serializer is a complex circuit made up of shift registers and logic with proper clock timing. The four 25-Gbps signals are then sent to a modulator driver (MD) and then to an externally modulated laser (EML). The four 25-Gbps signals are then multiplexed on a single-mode fiber.

Figure 20-45 A transceiver for 100GBASE-LR4.

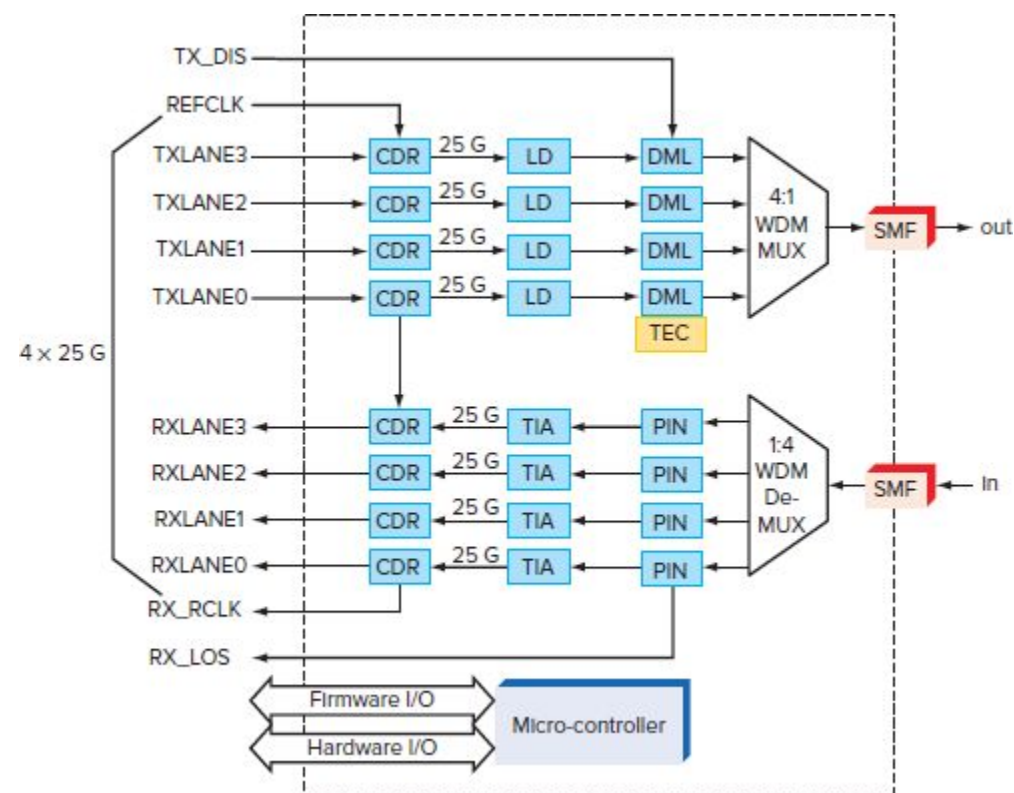


The lower receiver section takes in the DWDM signal and demultiplexes it into four 25-Gbps streams that are detected by the PIN photo diodes. The signals are amplified in transimpedance amplifiers (TIAs) and then sent to a 4:10 deserializer, which generates the 10 lanes of 10 Gbps for the CAUI interface.

Fig. 20-46 shows a version of a 100-Gbps page 761 transceiver using a four lanes of 25 Gbps to and

from the equipment. The input signals and clock are recovered by the CDR circuit and then sent to an LD, which feeds the DMLs. The DML outputs are multiplexed on a single-mode fiber.

Figure 20-46 An alternate transceiver for 100GBASE-LR4.



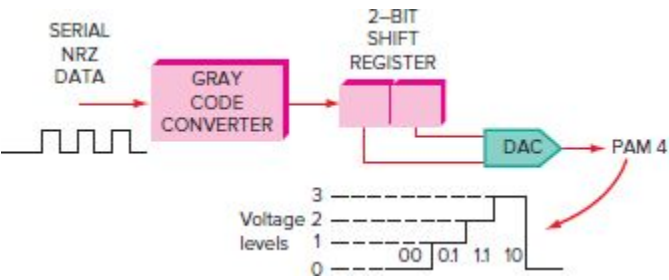
On the receive side, the four 25-Gbps DWDM signals are demultiplexed into four light streams that are detected by the PIN diodes and amplified in the TIA. The 25-Gbps signals are then rejuvenated in the CDR before being sent to the equipment interface. A similar arrangement is being proposed for a 400-Gbps system using 16 lanes of 25-Gbps signals ($16 \times 25 = 400$).

400GE and Beyond

While the rollout of 100-Gb Ethernet (100GE) continues, there is a considerable amount of interest in 400-Gb Ethernet (400GE). The IEEE published the standard 802.3bs for 200GE and 400GE that defines the next generation of fiber-based equipment. The major interest comes from the cloud service providers such as Amazon, Google, and Microsoft. Telecommunications companies and other data-intensive organizations can improve their businesses with the available higher throughput. Achieving these higher data rates is a challenge even for fiber-optic technology.

The method of implementing 400GE is a combination of high data rates on multiple parallel fibers. The big difference from previous versions is the adoption of a PAM4 coding that boosts the rate considerably. Fig. 20-47 shows the format. The standard NRZ data is converted to Gray code where only one bit changes per state. These Gray code bits are translated to the PAM4 code, and the PAM4 format implements four separate levels of intensity of the IR beams on each lane. This boosts the data rate per data stream by four.

Figure 20-47 Concept of PAM4 generation.



New connectors and MSA pluggable modules are also available.

Table 20-3 shows the main variations of 400GE.

Table 20.3	400-Gb Ethernet Standard Optical Variations
-------------------	----------------------------------------------------

Ethernet Version	Fiber Type	# Fibers	# Paths	Max. Distance	Encoding
400GBASE-SR16	MMF	16	16 × 25 Gbps	100 m (OM4)	NRZ
400GBASE-DR4	SMF	4	4 × 100 Gbps	500 m	PAM4
400GBASE-FR8	SMF	1	8 × 50 Gbps (WDM)	2 km	PAM4
400GBASE-LR8	SMF	1	8 × 50 Gbps (WDM)	10 km	PAM4

Optical Transport Technology

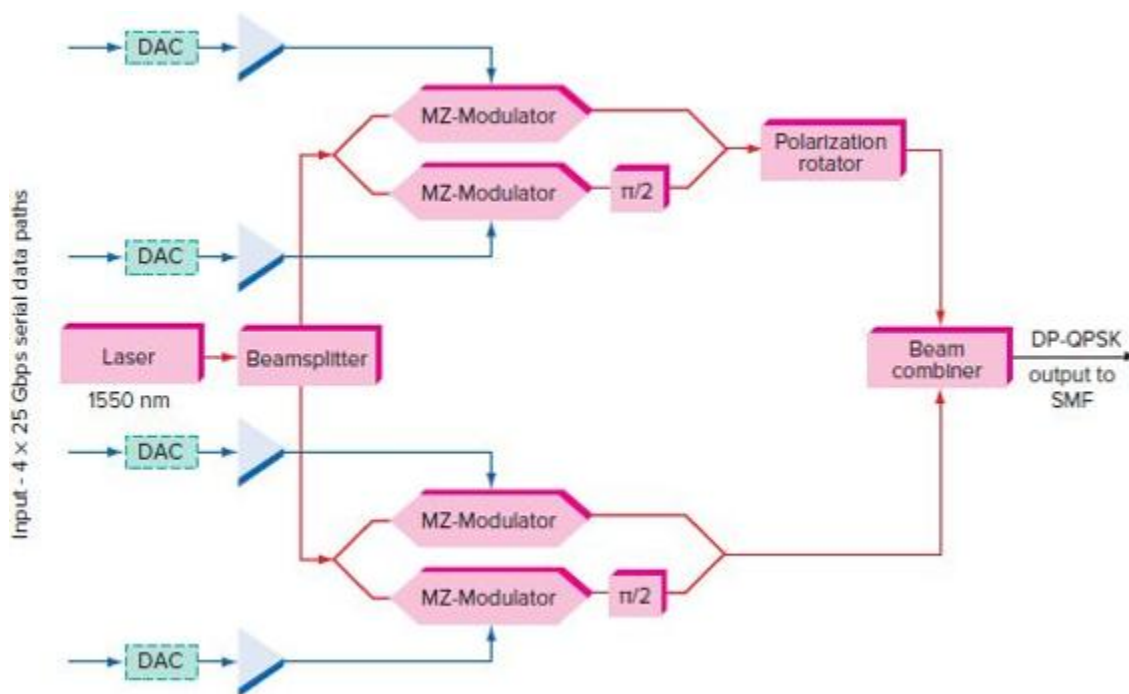
The OTN standard does not define a specific physical layer method. It is some times implemented with dense wavelength division multiplexing (DWDM). Another method is a coherent system on SMF with, a single wavelength. It uses not only the optical signal amplitude but also its phase and polarization. This coherent method is called dual polarization—quadrature phase-shift keying (DP-QPSK). It uses a combination of technologies to transmit 100 Gbps with a 25-Gbaud rate. Two parallel serial bit streams can be transmitted over a single fiber on a single wavelength of light by using two different light polarizations, one vertical and the other horizontal. The 90° of separation prevents one stream from interfering with the other and makes optical recovery easy. The result is a 2 bits/Hz data rate.

The two polarized streams are then processed with QPSK to produce another 2 bits/Hz result. The combination of dual polarization plus the QPSK produces 4 bits/Hz. This allows electrical signals at the 25-Gbps rate to be used to generate a 100-Gbps signal on SMF.

Fig. 20-48 shows a transmitter for DP-QPSK. The 100-Gbps data is divided into four 25-Gbps data streams and applied to DACs to convert 2-bit pairs into four levels. These four levels modulate the single-wavelength laser beam. The laser beam, usually at 1550 nm, is equally split and sent to the four Mach-Zehnder (MZ) modulators along with the DAC outputs. Note that the output of one of the MZ modulators is

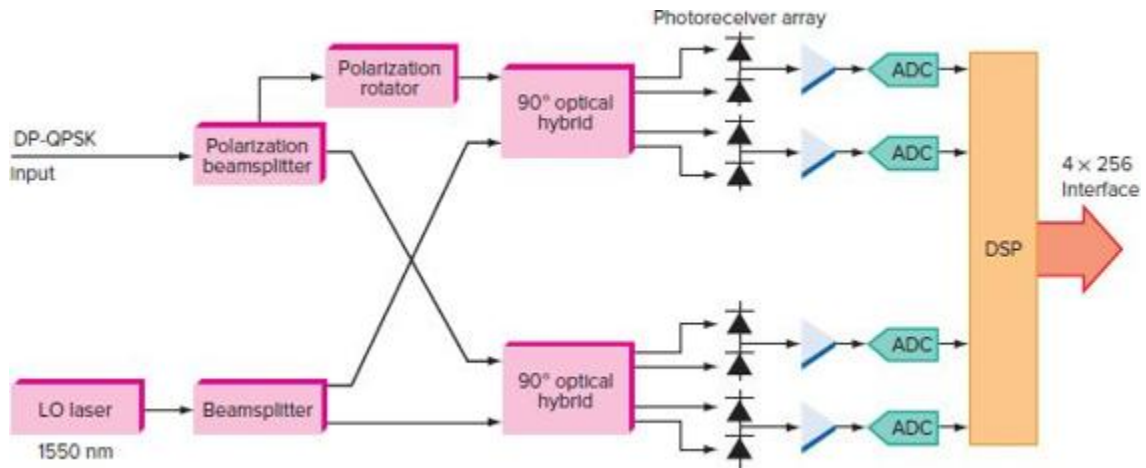
delayed by 90° ($\pi/2$). The MZ modulator outputs are then combined to create the in-phase (I) and quadrature (Q) data streams. A polarization rotator shifts the upper stream by 90° , making the upper and lower streams in quadrature. A balanced beam combiner creates a single optical signal that is applied to the SMF cable. Note that all of the modulation process takes place optically. A variation of this method creates the quadrature polarization of the laser beam prior to the application to the MZ modulators.

Figure 20-48 A coherent DP-QPSK transmitter for 100 Gbps.



A coherent receiver is shown in Fig. 20-49. The page 764 DP-QPSK signal from the fiber is applied to a balanced beamsplitter. The upper output goes to a device that rotates the polarization by 90° . The two polarized signals are then applied to two 90° optical hybrids. The other input to the hybrids is a laser beam at 1550 nm that is equally split and serves as the local oscillator (LO) for demodulation.

Figure 20-49 A coherent DP-QPSK receiver.



The 90° optical hybrids are the optical equivalents of electrical quadrature demodulators. The laser LO and polarized input signals are mixed, and four separate output streams are developed. These are applied to PIN photo diodes to re-create the original 25-Gbps data signals. These four signals are then digitized in fast ADCs, and the resulting digital signals are then processed in DSP circuits to recover the data as well as to perform chromatic and polarization mode dispersion compensation as required.

This coherent method may also be used to produce higher rates, such as 200 Gbps, 400 Gbps, or even 1 Tbps using QAM instead of QPSK.

MSA Modules

Pluggable modules for connecting equipment like servers, routers, and switches were discussed earlier in Sec. 20-4. These modules covered standards and data rates to 10 Gbps and 40 Gbps. Now 100-Gbps MSAs are available. These include CFP, CXP, and CDFP. The CFP modules use WDM and are available in several forms, including a 10 x 10 Gbps for 100 Gbps, a 4 x 25 Gbps for 100 Gbps, and a 4 x 10 Gbps for 40 Gbps. Newer versions CFP2 and CFP4 use 8

× 25 Gbps and 4 × 25 Gbps lanes, respectively, for 100 Gbps. The CXP module uses parallel fibers of 10 × 10 Gbps for 100 Gbps. These modules primarily support the IEEE 802.3ba Ethernet standards 100GBASE-LR4/ER4/SR10 but can also handle OTN OTU4.

The CDFP MSA module is defined for 400 Gbps. It is available in three basic formats: 16 × 25 Gbps, 8 × 50 Gbps, or 4 × 100 Gbps. Other MSA transceiver form-factors for 400GE are CFP8, OSFP, QSFP-DD, and COBO. QSFP+ and QSFP28 are still used.

CHAPTER REVIEW

Online Activity

20-1 Fiber-Optic Alternatives

Objective: Investigate gigabit copper alternatives to fiber-optic connections.

Procedure:

1. Search on the terms *Ethernet*, *HDMI*, *Infiniband*, and *Thunderbolt*.
2. Answer the following questions.

Questions:

1. True or false: It is possible to achieve data rates of 10 Gbps or more on copper cables.
2. Name two copper Ethernet versions capable of gigabit data rates.
3. What is HDMI and what are its applications?

4. What are the basic medium, reach, and data rate of HDMI?
5. What is Infiniband and what are its applications?
6. What are the basic medium, reach, and data rate of Infiniband?
7. What is Thunderbolt and what are its applications?
8. What are the basic medium, reach, and data rate of Thunderbolt?

Questions

1. True or false? Light is electromagnetic radiation.
2. The optical spectrum is made up of three parts. Name them.
3. Which segment of the optical spectrum has the highest frequencies? The lowest frequencies?
4. Light waves travel in a
 - a. Circle
 - b. Straight line
 - c. Curve
 - d. Random path
5. What units are used to express the wavelength of light?
6. State the lowest wavelength and highest wavelength of visible light, and state the color of each.
7. What is the wavelength range of infrared light?
8. True or false? The speed of light is faster in glass or plastic than it is in air.
9. What is the name of the number that tells how fast light travels in a medium compared to air?
10. What device can be used to bounce or change the direction of a light wave?
11. What is the term used to describe the bending of light rays due to speed changes in moving from one medium to another?

- 12.** When the angle of refraction is 90° to the normal, describe how the ray travels in relationship to the two media involved.
- 13.** What special effect occurs when the incident ray strikes the interface between two media at an angle greater than the critical angle?
- 14.** What factor determines the critical angle in a medium?
- 15.** Of what value are ultraviolet rays in communications?
- 16.** Name the two most common transmission media in an optical communication system.
- 17.** Describe how a light source is modulated. What type of modulation is the most common?
- 18.** Describe how both analog and digital signals may modulate a light transmitter.
- 19.** What are the two main types of light sources used in optical communication systems? Which is preferred and why?
- 20.** What factors limit the free-space transmission of information on a light beam?
- 21.** What type of signals do fiber-optic cables carry?
- 22.** What optical principle makes fiber-optic cable possible?
- 23.** What two materials are used to make fiber-optic cable?
- 24.** Name the three main types of information carried by fiber-optic cables.
- 25.** What is the major application of fiber-optic cable?
- 26.** State the main benefit of fiber-optic cable over electrical cable.
- 27.** True or false? Fiber-optic cable has greater loss than electrical cable over long distances.
- 28.** True or false? Fiber-optic cable is smaller, lighter, and stronger than electrical cable.
- 29.** State the two main disadvantages of fiber-optic cable.

- 30.** What is the name of the device that converts light pulses to an electric signal?
- 31.** What is the name given to the regenerative units used to compensate for signal attenuation over long distances?
- 32.** Which material has the better optical characteristics and lower loss?
- a.** Plastic
 - b.** Glass
 - c.** They are equal.
- 33.** What covers and protects the core in a fiber-optic cable?
- 34.** In PCS-type cable, what materials are used to make the core and the cladding?
- 35.** The index of refraction is highest in the
- a.** Core
 - b.** Cladding
- 36.** List the three main types of fiber-optic cable. page 766
- 37.** What is the name given to the phenomenon of stretching of the light pulse by the fiber-optic cable? What actually causes it?
- 38.** Light pulse stretching occurs in what two types of cable? What type of fiber-optic cable does not cause any significant degree of pulse stretching?
- 39.** What type of cable is the best to use for very high-frequency pulses?
- 40.** Pulse stretching by modal dispersion causes the information capacity of a cable to
- a.** Increase
 - b.** Decrease
- 41.** Define chromatic dispersion.
- 42.** What is electronic dispersion compensation?
- 43.** What is the typical core diameter range of a single-mode step index cable?

44. What types of covering are applied over the cladding in a fiber-optic cable to protect against moisture and damage?
45. True or false? Fiber-optic cables are available with multiple cores.
46. What term is used to refer to light loss in a cable?
47. What three major factors cause light loss in a fiber-optic cable?
48. How is the amount of light loss in a fiber-optic cable expressed and measured?
49. True or false? Fiber-optic cables may be spliced.
50. State how fiber-optic cables are conveniently linked and attached to one another and to related equipment.
51. Name the designations of the two most common types of fiber-optic cable connectors, and state the primary difference between them.
52. Name three common and popular sizes of fiber-optic cable.
53. Define what is meant by *bandwidth* as it applies to fiber-optic cable. What units are used to express bandwidth?
54. What causes the greatest loss peaks in a fiber-optic cable? At what frequencies do these peak losses occur?
55. What are the two most common light sources used in fiber-optic transmitters?
56. True or false? Visible light is the most common type of light used in fiber-optic systems.
57. Name the three most common light frequencies used in fiber-optic cable systems. Why are these frequencies used?
58. True or false? The light from a 1.55- μm LED is visible.
59. What semiconductor material are LEDs usually made of?
60. What term is used to describe a single light frequency?

- 61.** What do you call the condition of all emitted light waves being in phase?
- 62.** What special structure is created when reflective surfaces are added to a laser diode? How does it affect the light waves generated and emitted?
- 63.** For normal operation, LEDs and ILDs are
 - a.** Reverse-biased
 - b.** Forward-biased
- 64.** Which is faster?
 - a.** LED
 - b.** ILD
- 65.** Which produces the brighter light?
 - a.** LED
 - b.** ILD
- 66.** List three common laser types. Which is preferred for long-distance applications?
- 67.** What is the main benefit of a tunable laser?
- 68.** During normal operation, all photodiodes are
 - a.** Reverse-biased
 - b.** Forward-biased
- 69.** Name the two most sensitive and fastest light detectors.
- 70.** Name the two main circuits in a fiber-optic receiver.
- 71.** Aside from the reason stated in the text, name one key reason why Manchester encoding might be preferred.
- 72.** What popular local-area network system uses fiber-optic cable?
- 73.** What electrical unit is used to state the output of a light transmitter and the sensitivity of a light receiver?
- 74.** List three common laser operating frequencies in fiber-optic systems. Which is preferred for long-distance operation, and why?
- 75.** State why the laser is never turned off completely in direct laser modulation.

- 76.** What is the name given to the external modulator used with some lasers? Why is it preferred over direct modulation?
- 77.** Explain the operation of the automatic power control circuit used with most laser driver circuits.
- 78.** What is the name given to the input amplifier used in optical receiver circuits?
- 79.** What is regeneration in a fiber-optic network, and why is it needed?
- 80.** Explain the process of regeneration and give another name for it.
- 81.** Describe the main components in an optical amplifier.
- 82.** What is the normal gain range of an EDFA?
- 83.** State the primary benefit of an optical amplifier.
- 84.** What is an MSA? What are its benefits?
- 85.** What does the X mean in the abbreviations of the different MSAs?
- 86.** What is the name of the device to which the MSAs apply?
- 87.** Describe a ROSA.
- 88.** Describe a TOSA.
- 89.** What is a CDR and how does it work?
- 90.** What is a CMU and how does it work?
- 91.** What is the abbreviation used to describe a circuit that converts from serial to parallel or parallel to serial?
- 92.** List the most widely used MSA formats. page 767
- 93.** What is the parallel electrical interface on a 300-pin MSA?
- 94.** Describe the electrical interface on a XENPAX module. What does XAUI mean?
- 95.** What is the electrical interface on an XFP module?
- 96.** What does *reach* mean? Define *long reach*.
- 97.** What is wavelength-division multiplexing?
- 98.** How many channels or wavelengths are commonly used in CDWM systems?

- 99.** What is the maximum number of channels possible in DWDM systems?
- 100.** What is the name of the device commonly used to multiplex and demultiplex IR signals in a DWDM system?
- 101.** Give the wavelength ranges of the C, L, and S IR bands.
- 102.** Name the device used to multiplex and demultiplex DWDM signals.
- 103.** Categorize passive optical networks as one of the following: WAN, MAN, SAN, LAN.
- 104.** What are PONs used for?
- 105.** What are the designations for the equipment at the carrier central office and the customer premises?
- 106.** What is a combiner? A splitter? How are they used?
- 107.** If the light input to 16:1 splitter is $400 \mu\text{W}$, what is the power available at each output?
- 108.** What is the primary U.S. PON standard called? What are its download and upload speeds?
- 109.** What is EPON? Where is it used?
- 110.** Give the EPON data rates.
- 111.** Name the light wavelengths used in most PONs, and tell what they are used for.
- 112.** Explain how data signals are distributed in PONs where the fiber does not run all the way to the home or office.
- 113.** Define FTTH.
- 114.** What is the first/last mile?
- 115.** What characteristic of a laser carrier wave is modulated by a Mach-Zehnder modulator?
- 116.** How is AM achieved in a Mach-Zehnder modulator?
- 117.** Name one type of material used to make a Mach-Zehnder modulator.
- 118.** Explain two ways 100-Gbps data rates are achieved on fiber-optic cables.

- 119.** What is the name of the coherent modulation method used for 100-Gbps or higher data rates?
- 120.** Name two long-reach forms of 100-Gbps Ethernet and their formats.
- 121.** Name two ways the data rate on a fiber can be doubled.
- 122.** Name two 100-Gbps MSA module types.
- 123.** What is the line rate of 100-Gbps OTN and its designation?
- 124.** What is the data rate per lane on a WDM system for 100 Gbps?
- 125.** What two higher data rates are expected after 400 Gbps?

Problems

- 1.** State the speed of light in air in meters per second and miles per second. ◆
- 2.** If a light ray strikes a mirror at an angle of 28.4° from the normal, at what angle is it reflected from the normal?
- 3.** Draw a simple block diagram of an optical communication system, and explain the purpose and operation of each element. ◆
- 4.** Explain the process by which voice and video signals are transmitted by light beam.
- 5.** A cable has a loss of 9 dB. What percentage of its input power will appear at the output? ◆
- 6.** Express 1.2 km in terms of miles and feet.
- 7.** How many kilometers are there in 6 mi? ◆
- 8.** Four cables with attenuations of 7, 16, 29, and 34 dB are spliced together. What is the total attenuation in decibels?
- 9.** A fiber-optic cable has a bandwidth of 160 MHz·km. What is the bandwidth of a 1-mi segment? A 0.5-mi

segment? ♦

10. Explain briefly how light falling on the PN junction of a photodiode causes the diode's conductance to change.
11. The bit rate–distance product of a system is 600 Mbps·km. What is the speed rating at 8 km?
12. What is the average maximum distance between repeaters in a fiber-optic system?
13. Explain how analog signals are transmitted over a fiber-optic cable.
14. A fiber-optic cable system has a dispersion factor of 33 ns/km. The length of the system is 0.8 km. What is the highest data rate that can be achieved on this link?
15. Calculate the minimum receiver sensitivity needed to reliably detect a signal transmitted with a power of 0.7 mW over a link that is 3.5 km long with attenuation of 2.8 dB/km. It has two splices, each with an attenuation of 0.3 dB, and four connectors, each with attenuation of 1 dB. The losses in the connections to the IPD and APD devices are 2 dB each. Assume a contingency factor of 5 dB. The dispersion factor is 18 ns/km. What is the maximum data rate that this system can achieve?
16. A DWDM system has 64 OC-48 SONET channels. What is the composite or aggregate total data rate?
17. An OM4 cable has an EMB of 4000 MHz·km. What is the maximum data rate for a cable of 1 km?

♦ *Answers to Selected Problems follow Chap. 23.*

Critical Thinking

page 768

1. Name three potential new applications for fiber-optic communication not on the list in Fig. 20-9 but that take advantage of the benefits listed in Fig. 20-10.
2. Explain how a single fiber-optic cable can handle two-way communication, both half and full duplex.

- 3.** Could an incandescent light be used for a fiber-optic transmitter? Explain its possible benefits and disadvantages.
- 4.** Compare a wireless radio system with a fiber-optic communication system for digital data communications over a distance of 1 km. Assume a desired data rate of 75 Mbps. Give pros and cons, advantages and disadvantages, of each. Which one would be better, all factors being considered?
- 5.** Explain how byte data can be transmitted in parallel in a DWDM system.

Cell Phone Technologies

With over a billion sold each year, the cell phone is the largest-volume consumer electronics device ever invented. It has changed the way that we communicate and live. Today, for the majority of consumers, their mobile phone is their only phone. Furthermore, as the data speed of the newer digital cell phones increases, more cell phone applications are possible. This chapter provides a technical overview of cell phone standards and operation including 4G LTE and the new 5G technologies. Other short-range wireless technologies are covered in Chap. 22.

Objectives

After completing this chapter, you will be able to:

- Describe the cell phone operational concept.
- Summarize the early standards up through 2G and 3G.
- Explain the block diagram architecture of a modern digital smartphone.
- State the features, benefits, applications, and characteristics of the LTE system and 4G cell phones.
- State the features, benefits, characteristics, and applications of 5G cell phone technology.

- Describe the architecture and operation of a cell phone base station.
- Define small cells, HetNets, and distributed antenna systems (DAS).

21-1 Cellular Telephone Systems

A *cellular radio system* provides standard telephone service by two-way radio at remote locations. Cellular radios or telephones were originally installed in cars or trucks, but today most are handheld models. Cellular telephones commonly known as smartphones permit users to link up with the standard telephone system, which permits calls to any part of the world. And they can text, check e-mail, access the Internet, navigate, and take high-resolution digital photographs.

Cellular radio system

The Bell Telephone Company division of AT&T developed the cellular radio system during the 1970s and fully implemented it during the early 1980s. Today, cellular radio telephone service is available worldwide. This section provides an overview of this technology and introduces you to the latest 5G system.

Cellular Concepts

The basic concept behind the cellular radio system is that rather than serving a given geographic area with a single transmitter and receiver, the system divides the service area into many smaller areas known as *cells*, as shown in Fig. 21-1. The typical cell covers only several square miles and contains its own receiver and low-power transmitter.

The coverage of a cell depends upon the density (number) of users in a given area. See Fig. 21-2. For a heavily populated city, many small cells are used to ensure service. In less populated rural areas, fewer cells are used. Short cell antenna towers limit the cell coverage area. Higher towers give broader coverage. The cell site is designed to reliably serve only persons and vehicles in its small cell area.

Cells

Figure 21-1 The area served by a cellular system is divided into small areas called *cells*. Note: Cells are shown as ideal hexagons, but in reality they have circular or other geometric shapes. These areas may overlap, and the cells may be of different sizes.

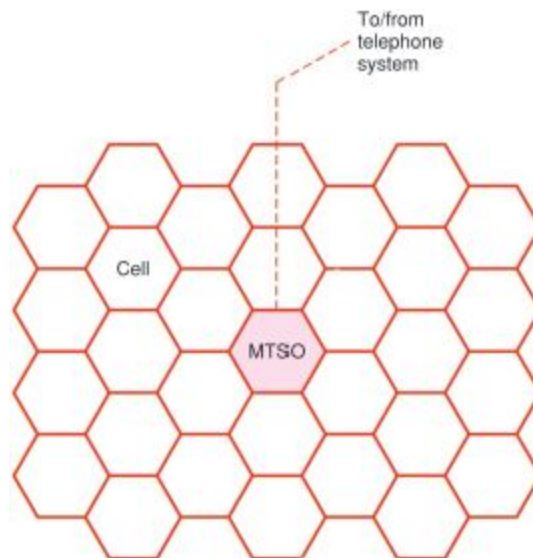
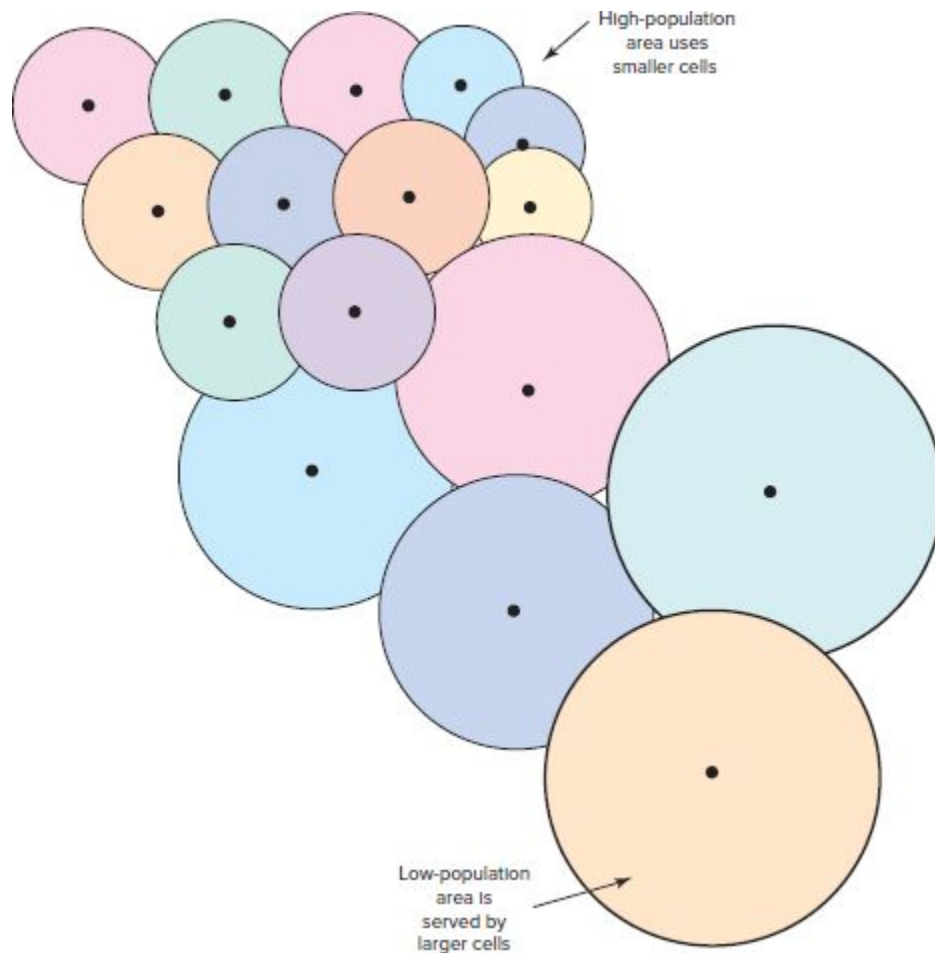


Figure 21-2 Area of cell coverage is determined by antenna height.



Each cell is connected by fiber-optic lines or a microwave radio relay link to a master control center known as the *mobile telephone switching office (MTSO)*. The MTSO is essentially a collection of dedicated servers and network switches that controls all the cell sites and provides the interface between each cell and all the connected networks. As the person with the cell phone passes through a cell, the phone connects with and is served by the cell transceiver. The telephone call, text, or other type of message is routed through the MTSO and to the standard telephone system or through other networks including the Internet. As the person moves, the system automatically switches from one cell to the next. The receiver in each cell station continuously monitors the signal strength of the mobile unit. When the signal strength drops below a desired level, the system

automatically seeks a cell where the signal from the mobile unit is stronger. The computer at the MTSO causes the transmission to be switched from the weaker cell to the stronger cell. This is called a *handoff*. All this takes place in a very short time and is completely transparent to the user. The result is that optimum transmission and reception are obtained.

Mobile telephone switching office (MTSO)

Handoff

page 771

Frequency Allocation

Cellular radio systems operate in the UHF, microwave, and millimeter-wave bands as assigned by the Federal Communications Commission (FCC). These spectrum assignments cover a wide range of frequencies, and they are different for each cellular carrier. These frequency assignments change occasionally. Most carriers also change the use and subdivision of their spectrum holdings. The FCC regularly auctions off spectrum. Also, mergers and acquisitions generally result in spectrum transfers. With spectrum assignments being so volatile and dynamic, it is difficult to stay informed about the subject. Here is a brief generic summary of the current cellular band assignments.

The original frequency assignments were in the 800- to 900-MHz range.

One of the major issues in the cell phone business lies in obtaining more spectrum for more subscribers. More subscribers mean greater income. Yet, spectrum is scarce and very expensive. Now spectrum is available in the 600- to 800-MHz range. More recently, there is available space in the 1700- to 1750-MHz range. Some spectrum is also available in the 1900- to 2300-MHz and 2500- to 2700-MHz range for 4G and 5G systems. A new band near 3650 MHz is also available. Also keep in mind that different countries use

different spectrum blocks. For example, in Europe the most commonly used bands are 900 and 1800 MHz. The sections on LTE and 5G include more about frequency spectrum.

Duplexing

Duplexing refers to the ways in which two-way radio or telephone conversations are handled. Many two-way radio applications still use *half duplex* where one party talks at a time. The communicating individuals take turns speaking and listening. Telephone communications has always been *full duplex*, where both parties can simultaneously send and receive. All cell phone systems are full duplex.

Duplexing

Half duplex

Full duplex

To achieve full duplex operation, however, special arrangements must be made. The most common arrangement is called *frequency-division duplexing (FDD)*. In FDD, separate frequency channels are assigned for the transmit and receive functions. The transmit and receive channels are spaced so that they do not interfere with one another inside the cell phone or base station circuits.

frequency-division duplexing (FDD)

Another arrangement is *time-division duplexing (TDD)*. This is less common but is used in a few systems. The system assigns the transmit and receive data to different time slots, both on the same frequency. For example, the transmitted and received data is alternated in sequential time slots. While the transmitted and received signals do indeed occur at different times, the speed of the signals is fast enough that a human feels as though they are occurring at the same time. The primary benefit of TDD is that only one channel is needed. With FDD two separated

channels are required. A TDD signal uses half the spectrum of FDD.

Time-division duplexing (TDD)

Still, FDD is far more widely used than TDD.

21-2 A Cellular Industry Overview

The cellular telephone industry is one of the largest industries in the world. Also known as the wireless or mobile business, it generates billions of dollars in revenue each year for the telephone companies, the cell phone manufacturers, and other allied businesses. And as you probably know, the cell phone has become the world's most popular consumer product. Over one billion new cell phones are sold each year. In developed countries, most consumers already have a cell phone of some type. China is the largest user of cell phones; the United States is in second place in terms of the total number of users. The cell phone is so pervasive that it has greatly affected how we live and work and how we do business. This section takes a brief look at how the cellular industry functions and some of the trends and critical issues associated with it.

The Cellular Carriers

Central to the functioning of the mobile wireless business are the cellular carriers, also known as the network operators or communications service providers (CSPs). In the United States, there are three major carriers: AT&T, Verizon, and T-Mobile. There are also a number of smaller carriers that have been acquired by one of the big three operators. The three major carriers mentioned represent

over 90 percent of the business. These are the organizations that spend billions to build out the cellular network infrastructure and provide the mobile services. They are also the ones who offer the cell phones to the consumer. Even though the carriers do not design or build the cell phones themselves, they are a part of the specifying and design process.

The other major players are the cell phone-page 773 manufacturing companies. The leaders are Samsung and Apple; other players include Huawei, LG, HTC, Nokia, Google/Motorola, and Lenovo. These companies design and build the cell phones to the specifications provided by the carriers based on the standards set by the 3GPP and ITU.

The reason the carriers have so much influence in the phones themselves relates to their frequency-spectrum holdings. Each carrier has access to its own specific range of frequency bands, and phones must be made to match their holdings. This means that for the most part a cell phone purchased from AT&T will not work on the Verizon network and so on.

Other players in the industry include the software companies that provide the operating systems for the cell phones. The leaders are Google with its Android operating system and Apple with its iOS software. There are also many companies offering additional software in the form of applications (apps) that give the cell phone far more capability than was ever imagined at first. You can actually look at the cell phone as a general-purpose high-power microcomputer with a radio built in. Most of the software apps do not use the radio communications capability. The semiconductor companies like Intel, Analog Devices, Qualcomm, Texas Instruments, and others are also major players. They develop and provide the chips to implement the cell phones and the base station equipment.

The Technology Generations

The cellular industry is driven not only by customer demand for service but also by the available technology. In this regard, the cellular industry is one of the fastest changing in existence. New products and services are offered as rapidly as they are conceived and developed. Changes in the technological standards also force rapid changes. The cell phone technology itself is divided into and defined by generations.

The first-generation cell phones used analog technology with frequency modulation. This was rapidly abandoned as the carriers discovered they could not provide enough services to meet the demand. As a result, the first generation was quickly replaced with a newer, second-generation (2G) digital cell phone technology.

Multiple 2G standards were developed worldwide, yet only one of the major technologies and standards has survived. This is known as GSM. 2G technology is still in use in a few places around the world. Most carriers have ended their second-generation services.

A key factor in supercharging the wireless business was the development of data services. Cell phones originally were primarily voice telephones, but it was quickly discovered that it was possible to use them for data purposes such as texting and e-mail.

During this time, several competing 3G technologies were created. These incompatible technologies (WCDMA and cdma2000) were adopted by different sources, making cell phones and the networks incompatible. This ultimately led to the desire for a complete industry standard, which in turn led to the development of fourth-generation phones and systems.

The fourth generation (4G) has brought about the creation of a single standard or family of standards that all carriers

could adopt. This 4G technology is known as Long Term Evolution (LTE). While all of the major U.S. carriers have already converted to the 4G LTE technology, the adoption continues worldwide.

The 4G systems and phones have led to much higher data rates and amazing new cell phone capabilities, particularly that of being able to receive and generate video. Technology advances have given us not only the high-speed data capability necessary for video but also large, color touch screens, making the cell phone a more popular consumer product than ever.

While some carriers are still upgrading their 4G LTE systems in the United States they are also building out the new 5G infrastructure that is providing higher data rates and room for more subscribers.

Trends and Critical Issues

page 774

The basic trend in the cellular industry is continued growth and technological development. In the United States, even in the developed and developing countries, market saturation has already been achieved, meaning that most individuals already have cell phones and services. This has the effect of reducing the growth rate, but it still provides an opportunity for consumers to upgrade to improved phones and services. In addition, substantial growth is still available in other parts of the world, especially undeveloped countries where telephone service is not typically available. In many parts of the world, cellular telephone service is the only telephone service available.

Another major trend is the continuing rapid decline in the number of wired telephone customers. Many consumers have already abandoned their basic wired telephones in favor of using only cell phones. Today well over 50 percent

of consumers now use cellular telephones as their primary communications service and that trend appears to continue.

One more trend is that carriers are continuing to build out their networks and improve data rates in an effort to reach more consumers and capture more business. Keeping in step with that, the cell phone manufacturers continue to provide even more sophisticated and capable cell phones that consumers desire.

As for critical issues, the primary one is frequency spectrum availability. The frequency spectrum from roughly 600 MHz to 6 GHz is the most useful for cellular service. Unfortunately this frequency spectrum is already heavily occupied. The ability of a carrier to continue to offer expanded service capacity as well as higher speeds is determined strictly by the amount of spectrum available. High capacity and high speed require wider bandwidth. However, there is only a certain amount of spectrum available, and most of it is already owned and occupied. Today carriers who want to expand their operations must buy spectrum from others or purchase it through the regulatory agency, the Federal Communications Commission (FCC), in their regular auctions. Spectrum costs billions of dollars, and only the largest of carriers can afford it. The new 5G adoption has essentially solved this problem as the FCC is authorized to award spectrum licenses in the millimeter-wave bands from 24 to 52 GHz.

Digital cell phone system

21-3 2G and 3G Digital Cell Phone Systems

The original cellular technology AMPS used FM analog communications. However, today all new cell phones and systems use digital methods. These all-digital systems were

developed primarily to expand the capacity of the cell phone systems already in place. The rapid growth of the number of wireless subscribers forced the carriers to seek new and more efficient methods of increasing the number of users a system could handle. The main problem was that the carriers were restricted by the Federal Communications Commission to specific segments of the frequency spectrum. No additional space was available for expansion. Digital techniques provide several ways to multiplex many users into the same spectrum space.

The use of digital techniques brought several additional benefits. Digital communication systems are inherently more robust than analog systems in that they are more reliable in a noisy environment. Furthermore, digital circuits can be made smaller and more power-efficient, and therefore handsets can be more compact and can operate for longer times on a single battery charge. In addition, digital cell phones greatly facilitate the transmission of data as well as voice, so that data services such as e-mail and Internet access are possible with a cell phone. Digital methods also offer high-speed data capability making video, gaming and social media applications possible.

The first digital cell phones are referred to as *second-generation (2G) phones*. Today, third-generation (3G) and fourth-generation (4G) cell phones and systems are in use. And the adoption of 5G continues. But 2G phones are still in use in some countries around the world. The 2G phones have been phased out in the United States, but some 3G systems remain. This section summarizes the 2G and 3G systems for their educational value. LTE and 5G will be covered in detail later in the chapter.

2G Cell Phone Systems

Three basic *second-generation (2G) digital cell phone systems* were developed and deployed. Two use time-division multiplexing, and the third uses spread spectrum (SS) or CDMA. The TDM systems are the Global System for Mobile Communications (GSM) and the IS-136 standard for time-division multiple access. The SS system is code-division multiple access. The IS-136 system was phased out early and replaced with GSM. Both GSM and CDMA are still deployed in a few places around the world.

2G cell phone system

Vocoders. To use digital data transmission techniques first requires that the voice be digitized. The circuit that does this is a *vocoder*.

Vocoder

GOOD TO KNOW

To estimate the bandwidth necessary to transmit a specified data rate, use the rule of thumb of a one-to-one correspondence between data rate and bandwidth, for example, 1-Mbps data rate and 1-MHz bandwidth.

The main function of a vocoder is data compression. Data compression techniques are used to process the digitized voice signal in such a way as to reduce the number of bits needed to represent the voice reliably. This in turn allows the speed of data transmission to be reduced to a level compatible with that of the available channel bandwidth. In modern cell phones, a variety of vocoding data compression schemes are used. An A/D converter is followed by a digital signal processing (DSP) chip that does the compression in accordance with some algorithm. The vocoder then generates a serial digital voice signal at a rate of 7.4 to 13 kbps.

GSM. The most widely used 2G digital system was GSM. *GSM* originally stood for “Group Special Mobile” but has become known as the “Global System for Mobile Communications.” It was developed in Europe under the auspices of the European Telecommunications Standardization Institute (ETSI) to replace the many incompatible analog systems used in different European countries. The GSM was designed to permit widespread roaming from country to country throughout Europe.

GSM (Global System for Mobile Communications)

GSM uses TDMA. A vocoder uses a compression scheme and A to D conversion to produce a 13-kbps voice bit stream. It allows eight time-multiplexed telephone calls or the data equivalent to be transmitted concurrently in a single 200-kHz-wide channel. The modulation method, known as *Gaussian minimum shift keying (GMSK)*. A Gaussian response filter shapes the serial digital bit stream before modulation to narrow the signal bandwidth. The basic GSM data rate is 270 kbps in the 200-kHz channel. FDD is used for full duplex operation.

Gaussian minimum shift keying (GMSK)

Two key additions to GSM were general packet radio service (GPRS) and enhanced data rate for GSM evolution (EDGE). These are packet-based data services designed to permit Internet access, e-mail, texts, and other forms of digital data transmission.

IS-95 CDMA

IS-95 CDMA. This cell phone standard is called code-division multiple access (CDMA). Also known as *cdmaOne*, it uses spread spectrum. This system was invented by Qualcomm, a company that makes the chip sets used in CDMA cell phones. The company also holds most of the patents in this field. CDMA uses direct sequence spread

spectrum (DSSS) with a 1.2288-MHz chipping rate that spreads the signal over a 1.25-MHz channel. As many as 64 users can use this band simultaneously with little or no interference or degradation of service, although in practice typically only 10 to 40 subscribers occupy a channel at one time. This CDMA system uses FDD for duplexing.

As in other cell phone systems, CDMA takes the voice signal and digitizes it in a vocoder. The output is a 13-kbps serial voice signal that is further processed before it is used to modulate the carrier. The digitized voice is fed to an exclusive-OR (XOR) gate where it is mixed with a 64-bit pseudorandom code occurring at the chip rate of 1.2288 Mbps. This signal is then used to modulate the carrier with quadrature phase-shift keying (QPSK). The 1.25-MHz channel can hold up to 64 CDMA signals, each having a different pseudorandom code. These special codes are known as *Walsh codes* and are chosen so that they are easily recognized and recovered at the receiver by using the correlation technique described in an earlier chapter.

Walsh codes

3G Cell Phone Systems

Third-generation (3G) cell phones are true packet data phones. They feature enhanced digital voice and high-speed data transmission capability. With such high-speed capability, a 3G phone can do lots more than just transmit high-quality digital voice.

Some potential 3G applications included fast e-mail and Internet access. With larger color screens and full keyboards, cell phones can act more as small computer terminals. High speed also permits the transmission of video. Subscribers can watch a movie on their 3G phones, although the small screen limits viewing. In most models, a

built-in image sensor and lens lets cell phones become picture phones and digital cameras.

UMTS 3G. One 3G standard is known as wideband CDMA (WCDMA). This standard was developed, maintained, and promoted by the Third Generation Partnership Project (3GPP).

WCDMA is a direct-sequence spread-spectrum technology. In the most popular configuration, it is designed to use a 3.84-MHz chipping rate in 5-MHz-wide bands. Duplexing is FDD requiring the matching of 5-MHz channels. The modulation is QPSK. It can achieve a packet data rate up to 2 Mbps.

HSPA. High-speed packet access (HSPA) is an enhancement to WCDMA systems to make them faster. There is a *high-speed downlink packet access (HSDPA)* and a high-speed uplink access (HSUPA) version.

High-speed downlink packet access (HSDPA)

HSDPA uses an adaptive coding and modulation scheme with QPSK and 16-QAM. The maximum data rate is 14.4 Mbps using 16-QAM. These advanced data features and services are no longer used.

CDMA2000. The other 3G standard was developed by Qualcomm. It is an extension of the widely used IS-95 CDMA standard also known as cdmaOne.

The basic CDMA2000 data transmission method is generally called 1×RTT (radio transmission technology). It not only uses the same 1.25-MHz-wide channels but also changes the modulation and coding formats to actually double the voice capacity over that in IS-95. The data capability is packet-based and permits a data rate of up to 144 kbps.

A later version called 1xEV-DO or Evolution-Data Optimized has a higher data rate approaching 3.1 Mbps downlink and an uplink rate up to 1.8 Mbps.

Both 3G systems are no longer widely used. Some phones retain a backward capability so that 3G systems can be accessed if 4G or 5G are not available.

21-4 Long-Term Evolution and 4G Cellular Systems

Long-Term Evolution (LTE) is the wireless cellular technology that has been adopted around the world as the primary cell phone communications standard and service. LTE systems exist everywhere. They are what people use. LTE works well and most are satisfied with it. It will continue even when 5G begins to dominate.

LTE is a standard developed by the Third-page 777 Generation Partnership Project (3GPP). This is the international organization that developed the widely used 3G standards UMTS WCDMA/HSPA. LTE has been in development for years, and different phases of it have been released sequentially over the years. Each release represents a major amount of work that adds to, enhances, repairs, or otherwise provides a positive new characteristic. This continues until the 3GPP declares the standard complete. At that point, the releases collectively can become a formal international standard. And it is at this point that semiconductor manufacturers may safely design chips to implement the final standard. The final LTE standard designated Release 8 was completed in 2010. Release 9 was an update to that. Releases 10 through 12 define LTE-Advanced. Releases 12 and 13 define LTE Advanced Pro.

All cellular operators have now implemented LTE. The current LTE networks are marketed at 4G. The real 4G as designated by 3GPP is LTE Advanced and LTE Advanced Pro.

Currently LTE is alive and functioning in all U.S. cellular companies and in others worldwide. The networks are fully built out, but still some carriers have not updated to LTE Advanced or LTE Advanced Pro. All carriers will continue to maintain their LTE systems even when 5G service is added.

LTE brings amazing new capabilities to the cellular business. First, it expands the capacity of the carrier, meaning that more subscribers can be added for a given spectrum assignment. Second, it provides the high data rates that are needed by the growing new applications, mainly video downloads to smartphones and other Internet access. And third, it makes cellular connectivity more reliable. All of these needs are important to maintaining growth and profitability in the wireless business.

LTE Technical Features and Specifications

LTE is likely the most complex wireless system ever developed. It incorporates features that could not have been economically implemented even a decade ago. Today, with large-scale ICs, LTE can easily be accommodated not only in a base station but in a battery-powered handset. The complexity is a function of the advanced wireless methods used as well as the many options and features that can be implemented. This section examines mainly the physical layer of LTE, including modulation, access, duplexing, and the use of multiple-input and multiple-output (MIMO).

Frequency. LTE operates in some of the existing cellular bands but also newer bands. Specific bands have been designated for LTE. These are shown in Table 21-1. Different

carriers use different bands depending on the country of operation and the nature of their spectrum holdings. Most LTE phones use two of these bands, and they are not the same from carrier to carrier. For instance, the iPhone for Verizon uses different bands than the iPhone from AT&T. Most of the bands are set up for FDD, which uses two separate bands for uplink and downlink. Note in Table 21-1 that bands 33 through 44 are used for TDD, and therefore the same frequencies are used for both uplink and downlink.

Bandwidth. LTE is a broadband wireless technology that uses wide channels to achieve the high data rates and accommodate lots of users. The standard is set up to permit bandwidths of 1.4, 3, 5, 10, 15, and 20 MHz. The carrier selects the bandwidth depending on spectrum holdings as well as the type of service to be offered. The 10- and 20-MHz widths are the most common. Some bandwidths cannot be used in different bands.

Advanced versions of LTE include a carrier aggregation (CA) feature that lets the system combine contiguous and/or noncontiguous segments of spectrum to create a wider bandwidth channel that allows enormous increases in data rates. Up to 100 MHz may be aggregated to achieve data rates to 1 Gbps.

Table 21.1	LTE Bands
-------------------	------------------

LTE Band Number	Uplink (MHz)	Downlink (MHz)
1	1920–1980	2110–2170
2	1850–1910	1930–1990
3	1710–1785	1805–1880
4	1710–1755	2110–2155
5	824–849	869–894
6	830–840	875–885
7	2500–2570	2620–2690
8	880–915	925–960
9	1749.9–1784.9	1844.9–1879.9
10	1710–1770	2110–2170
11	1427.9–1452.9	1475.9–1500.9
12	698–716	728–746
13	777–787	746–756
14	788–798	758–768
15	1900–1920	2600–2620
16	2010–2025	2585–2600
17	704–716	734–746
18	815–830	860–875
19	830–845	875–890
20	832–862	791–821
21	1447.9–1462.9	1495.9–1510.9
22	3410–3500	3510–3600
23	2000–2020	2180–2200
24	1625.9–1660.9	1525–1559

25	1850–1915	1930–1995
26	859–894	814–849
27	852–869	807–824
28	758–803	703–748
33	1900–1920	1900–1920
34	2010–2025	2010–2025
35	1850–1910	1850–1910
36	1930–1990	1930–1990
37	1910–1930	1910–1930
38	2570–2620	2570–2620
39	1880–1920	1880–1920
40	2300–2400	2300–2400
41	2496–2690	2496–2690
42	3400–3600	3400–3600
43	3600–3800	3600–3800
44	703–803	703–803

Note: These cellular bands are allocated specifically for LTE. Different carriers in different countries use different bands that are unique to their cell phones. The spacing between FDD channels in bands 1 through 28 varies considerably depending upon carrier spectrum holdings. Bands 33 through 44 have the same uplink and downlink frequencies as these are TDD bands.

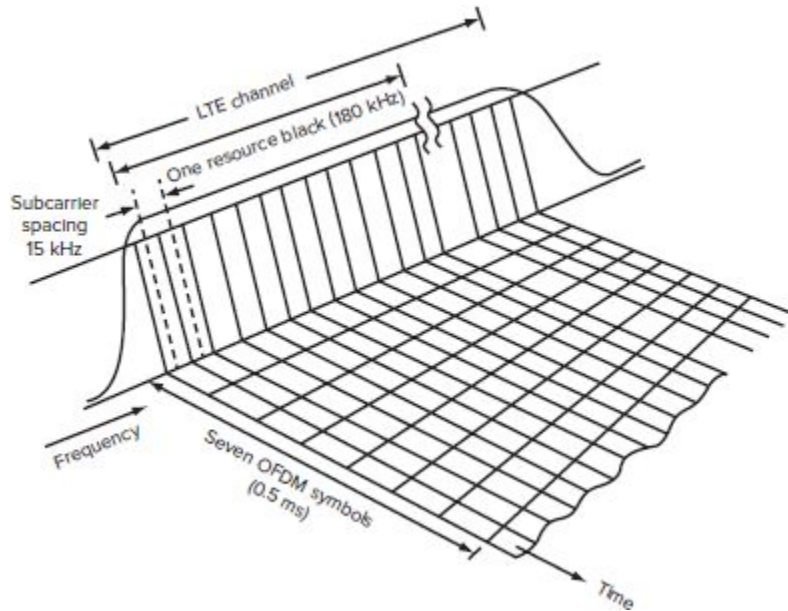
Modulation. LTE uses the popular orthogonal frequency-division multiplex (OFDM) modulation scheme. It provides the essential spectral efficiency to achieve the high data rates but also permits multiple users to share a common channel. The OFDM technique divides a given channel into

many narrower subcarriers. The spacing is such that the subcarriers are orthogonal—that is, they will not interfere with one another despite the lack of guard bands between them. This comes about by having the subcarrier spacing equal to the reciprocal of symbol time. All subcarriers have a complete number of sine wave cycles that upon demodulation will sum to zero.

In LTE the subcarrier spacing is 15 kHz. The symbol period therefore is $1/15 \text{ kHz} = 66.7 \mu\text{s}$. The high-speed serial data to be transmitted is divided up into multiple slower streams, and each is used to modulate one of the subcarriers. For example, in a 5-MHz channel, up to 333 subcarriers could be used but the actual number is less. A 20-MHz channel might use 1024 subcarriers. The modulation on each can be QPSK, 16QAM, or 64QAM, depending on the speed needs.

Fig. 21-3 shows how OFDM uses both frequency page 780 and time to spread the data, providing not only high speeds but also greater signal reliability. For each subcarrier, the data is sent in sequential symbols where each symbol represents multiple bits (e.g., QPSK, 2 bits; 16QAM, 4 bits; and 64QAM, 6 bits). The basic data rate through a 15-kHz subcarrier channel is 15 kb/s. With higher-level modulation, higher data rates are possible.

Figure 21-3 Data is transmitted by dividing it into slower parallel paths that modulate multiple subcarriers in the assigned channel. The data is transmitted in segments of one symbol per segment over each subcarrier.



Data to be transmitted is allocated to one or more resource blocks. A resource block (RB) is a segment of the OFDM spectrum that is 12 subcarriers wide for a total of 180 kHz. There are seven time segments per subcarrier for a duration of 0.5 ms. Data is then transmitted in packets or frames, and a standard frame contains twenty 0.5-ms time slots. A resource block is the minimum basic building block of a transmission, and most transmissions require many RBs.

Keep in mind the fact that the only practical way to implement OFDM is to do it in software. The basic process is handled with the fast Fourier transform (FFT). The transmitter uses the inverse FFT, while the receiver uses the FFT. The algorithms are implemented in a DSP, a field-programmable gate array (FPGA), or an application-specific integrated circuit (ASIC) designed for the process. The usual techniques of scrambling and adding forward error correcting codes are implemented as well.

The choice of OFDM for LTE is primarily due to its lesser sensitivity to multipath effects. At the higher microwave frequencies, transmitted signals can take multiple paths to the receiver. The direct path is the best and preferred, but

signals may be reflected by multiple objects, creating new signals that reach the receiver somewhat later in time. Depending on the number of reflected signals, and their strengths, ranges, and other factors, the signals at the receiver may add in a destructive way, creating fading or signal dropout.

The multipath effects occur when the signals reach the receiver all within the time for one symbol period. Remember, a symbol is a modulation state that is an amplitude, a phase, or amplitude-phase combination that represents two or more bits. If the multipath effects are such that the signals arrive at the receiver spread over several symbol periods, the outcome is called intersymbol interference (ISI). The result is bit errors. This can be overcome with error detecting and correcting codes, but these codes add to the complexity and latency of the system. An equalizer at the receiver that collects all the received signals and delays them such that they all add can also correct for this problem but only further complicates the process.

Spreading the signals in the form of multiple page 781 subcarriers over a wide bandwidth lessens these effects. This is especially true if the symbol rate of each subcarrier is longer, as it is in OFDM. If the multipath effects occur in less than one symbol period, then no equalizer is needed. Another effect is frequency variation of the subcarriers at the receiver caused by time or frequency shifts, such as that produced by the Doppler effect in a moving vehicle. This shift in frequency results in the loss of orthogonality and subsequently in bit errors. This problem is mitigated in LTE by adding a cyclical prefix (CP) to each transmitted bit sequence.

The CP is a portion of an OFDM symbol created during the DSP process that is copied and added back to the front of the symbol. This bit of redundancy allows the receiver to

recover the symbol if the time dispersion is shorter than the cyclical prefix. This allows OFDM to be implemented without the complex equalization that can also correct for this problem.

While the downlink of LTE uses OFDM, the uplink uses a different modulation scheme, known as single carrier-frequency division multiplexing (SC-FDMA). OFDM signals have a high peak-to-average-power ratio (PAPR), requiring a linear power amplifier with overall low efficiency. This is a poor quality for a handset that is battery operated. SC-FDMA has a lower PAPR and is better suited to portable implementation. The SC-FDMA process is similar to OFDMA but with a more simplified mathematical process suitable for battery-powered devices.

MIMO. A key feature of LTE is the incorporation of multiple-input and multiple-output, a method of using two or more antennas and related receive and transmit circuitry to achieve higher speeds within a given channel. One common arrangement is 2×2 MIMO, where the first number indicates the number of transmit antennas and the second number is the number of receive antennas. An alternate format is 2T2R. Standard LTE can accommodate up to a 4×4 arrangement. The advanced LTE versions can handle 8×8 MIMO. There is another method of denoting the MIMO format. For example 4×4 MIMO can be expressed as 4T4R. The 8×8 format becomes 8T8R.

The MIMO technique divides the serial data to be transmitted into separate data streams that are then transmitted simultaneously over the same channel. Because all signal paths are different, with special processing they can be recognized and separated at the receiver. The result is an increase in the overall data rate by a factor related to the number of antennas. This technique also mitigates the multipath problem and adds to the signal reliability because of the diversity of reception.

A special version of MIMO known as multi-user MIMO is being implemented in some cellular systems as well as in some Wi-Fi systems. It allows multiple users to share a common channel. MU-MIMO relies upon many antennas implementing spatial division multiple access (SDMA) as well as unique channel coding to keep the signals separate. Channel bandwidth is divided amongst the users as needed.

The difficulty in implementing MIMO arises because of the small size of the handset and its limited space for antennas. Already most smartphones contain five antennas, including those for all the different cellular bands plus Wi-Fi, Bluetooth, Global Positioning System (GPS), and perhaps NFC. It is not likely that most phones will contain more than two LTE MIMO antennas, and their inclusion depends on being able to space them far enough apart so that spatial diversity is preserved with sufficient isolation between them. Of course, it is easier to use more base station antennas. A typical LTE arrangement appears to be 4T2R to provide optimal coverage with the space available.

Data Rate. The data rate actually used or achieved with LTE is dependent upon several features, as you have seen. It depends on channel bandwidth, modulation type, MIMO configuration, and of course the quality of the wireless path. In the worst-case situation, data rate could be only a few Mbps, but under good conditions data rate can rise to over 300 Mbps. On average, most practical LTE downlink rates are in the 5- to 15-Mbps range. This is faster than some fixed Internet access services using cable or DSL. Using the advanced versions of LTE plus MIMO and wider bandwidths, data rates can be as high as 1 Gbps.

Access. Access refers to using the same channel to page 782 accommodate more than one user. This is effectively a multiplexing method. Standard methods include frequency-division multiple access (FDMA), time-

division multiple access (TDMA), and code-division multiple access (CDMA). Orthogonal frequency-division multiplexing access (OFDMA) makes use of some of the available subcarriers and time slots within those subcarriers for each user. The number of subcarriers and time slots used depends on multiple factors. In any case, it is usually possible to accommodate up to hundreds of users per channel bandwidth.

TD-LTE

Most LTE will be of the FDD variety, at least in the United States, Europe, and parts of Asia. Paired-spectrum groups are required for the separate uplink and downlink transmissions. TD-LTE requires only a single spectrum segment. TD-LTE is being widely implemented in China and India because of the more limited spectrum availability. This conserves spectrum and provides for more users per MHz. The LTE standards include a definition for TD-LTE.

LTE Advanced and LTE Advanced Pro

LTE-A features build on the LTE OFDM/MIMO architecture to further increase data rate. It is defined in 3GPP Releases 10 through 14. There are five major features: carrier aggregation, increased MIMO, coordinated multipoint transmission, Hetnet (small cells) support, and relays. Small cells are covered in the next section.

Carrier aggregation refers to the use of two or more 20-MHz channels combined into one to increase data speed. Up to five 20-MHz channels can be combined. These channels can be contiguous or noncontiguous as defined by the carrier's spectrum assignments. With maximum MIMO assignments, 64QAM, and 100 MHz bandwidth, a peak downlink data rate of 1 Gbps can be achieved.

LTE defines MIMO configurations up to 4T4R. With LTE-A that is extended to 8T8R with support for two transmit antennas in the handset. Most LTE handsets use two receive antennas and one transmit antenna. These MIMO additions will provide future data-speed increases if adopted.

HetNet support refers to support for small cells in a larger overall heterogeneous network. The HetNet is an amalgamation of standard macrocell base stations plus microcells, metrocells, picocells, femto cells, and even Wi-Fi hot spots. This network provides increased coverage in a given area to improve connection reliability and increased data rates. Small cells are covered in the next section.

Coordinated multipoint transmission is also known as cooperative MIMO. It is a set of techniques using different forms of MIMO and beamforming to improve the performance at cell edges. It makes use of coordinated scheduling and transmitters and antennas that are not collocated to provide greater spatial diversity that can improve link reliability and data rate.

Relays is the use of repeater stations to help coverage in selected areas, especially indoors where most calls are initiated. LTE-A defines another base station type called a relay station. It is not a complete base station but a type of small cell that will fit in the HetNet infrastructure and provide a way to boost data rates and improve the dependability of a wireless link.

LTE-A is forward and backward compatible with basic LTE, meaning that an LTE handset will work on an LTE-A network and an LTE-A handset will work on a standard LTE network.

LTE-A Pro adds additional features to LTE. Its basis is the feature set of LTE-A. LTE-A-Pro is fully backward compatible with earlier LTE systems.

The key features of LTE-A-Pro are summarized [page 783](#) below:

- Carrier aggregation to 100 MHz to support data rates up to 1 Gbps.
- Licensed Assisted Access (LAA). This feature adds the capability to combine unlicensed spectrum from Wi-Fi's 5-GHz band further widening bandwidth for even greater speeds.
- Enhanced MIMO to 8T8R format with 3D agile beamforming. Massive MIMO with more than 16 antennas.
- Lower latency. Implementing new FDD and TDD schemes, latency can be decreased from many milliseconds to about 1 ms.
- Support for Internet of Things (IoT) applications with LTE versions that emphasize very low power consumption and low data rates. See Chap. 22 for IoT details.
- Generate a version of LTE for vehicle-to-everything communications (C-V2X). These radios are expected to improve overall vehicle safety.
- An LTE Broadcast version that can replace existing digital TV systems.
- An LTE Direct version that permits communications directly between two parties without going through a cell site base station.
- Capability (called MulteFire) to operate in the Citizen's Broadband Radio Service (CBRS) frequencies near 3.5 GHz. The spectrum is unlicensed and would be shared with other services (satellite, military, etc.).

LTE-A-Pro could be called 5G-Lite as its features and capabilities are similar to those of 5G. In general, 5G is just a few more 3GPP Releases beyond LTE-A-Pro as you will see in the coming sections.

Voice over LTE

LTE is a packet-based IP data network. Initially LTE did not include a voice service. However, LTE voice is now being implemented. Today, if you are using an LTE smartphone, you may still be using the existing 3G network for what is called circuit-switched voice service. Eventually voice over LTE (VoLTE) will be fully implemented in the base stations and in the handsets. VoLTE is just VoIP over LTE, and it will operate simply as a data application on the IP network.

Although a VoLTE protocol has been defined, implementing it requires major engineering decisions and network changes. Most of these concern maintaining voice connections for older non-LTE phones for some extended period. Particularly tricky are the changes that will allow LTE phone users to get voice service if they move out of an area with no LTE. When VoLTE is available, a subscriber could initiate a call using the LTE system but drive out of the LTE coverage area. Systems must be able to hand that call off to a traditional voice network. The mechanism for this is network software called circuit-switched fallback (CSFB). It is now available on most networks. Another issue is getting VoLTE into the handsets. VoLTE requires a separate chip in the phone, and few have such a capability today.

Implementing VoIP requires a vocoder, a circuit that is essentially an A-to-D converter to digitize the voice signal and a D-to-A converter to convert the digital voice back into analog voice for the user. A vocoder also incorporates voice compression, a technique that effectively minimizes the number of bits used to represent voice. This allows voice to be transmitted faster but at lower data rates so it does not occupy much bandwidth.

LTE uses what is called the Adaptive Multi-Rate (AMR) vocoder. This is also used in GSM systems and other 3GPP standards. It has a variable bit rate capability from 1.8 kbps

to 12.2 kbps. Digitized voice is then assembled into AMR packets and then into IP packets, which are then scheduled into transmission sequence. A call is allocated some of the OFDMA subcarriers and some of the time slots within the bit streams of each subcarrier.

21-5 Fifth-Generation Wireless Cellular

Fifth Generation (5G) is the next generation of the wireless cellular technology. It is a new standard provided by the 3GPP organization as stated in Releases 15, 16, and 17. In fact, 5G is not a revolutionary new standard but more of an evolutionary standard. In some ways it appears to be just the next enhancement of LTE-A-Pro. However, even though LTE and 5G share similar characteristics, they are also different. The development of 5G has been driven by new goals and technologies. 5G is a huge subject but its main features, specifications, and uses are summarized in this section.

5G New Radio Goals

The proper name for this new technology is 5G New Radio or 5G NR. Its development was stimulated by the constant demand for higher data rates that derives from the increased desire for more streaming video at our homes and offices on our 4K ultra-high definition (UHD) 65-inch LED screen TV sets, desktop computers, and mobile devices. In addition, the carriers or telecom companies now called communications service providers (CSPs) need new sources of income and profit therefore are seeking new subscribers.

eMBB. The first goal of 5G NR is enhanced mobile broadband (eMBB). It seeks to multiply subscriber capacity by at least a factor of 1000 over LTE. And it targets a peak downlink (DL) data rate of 10 Gbps or more plus a minimum of 100 Mbps for every subscriber.

mMTC. This refers to the massive machine-type communications (mMTC) associated with the IoT movement. The new standard addresses the needs of low power consumption, low cost, and low data rate. An objective is to be able to wirelessly connect millions of different things to the Internet. The IoT movement is discussed in Chap. 22.

uRLLC. This objective seeks ultra-reliable, low-latency communications (uRLLC). Latency, of course, is the time delay between an initiating action and the time the action really takes place. In many wireless systems this delay is harmful or is otherwise a knock-out factor in some applications. Examples are factory automation with robots or advanced driver assistance systems (ADAS) that significantly improve safety in new cars and trucks. Current latency for LTE is hundreds of milliseconds (ms). New objectives are a latency of 1 ms or less along with greatly improved reliability of communications. The desired application with 1-ms latency is self-driving cars.

5G NR Technical Specifications

If you know and understand LTE, you will find that 5G NR is simply a significant improvement in most aspects. Here is a summary.

Spectrum. To meet the speed requirement of 5G more bandwidth is needed. With current spectrum being crowded, wider spectrum assignments are needed to meet the aforementioned objectives. This problem has been

addressed in two ways. In the United States, the FCC has found more space below 6 GHz and in the millimeter wave (or mmWave) bands.

There are many 5G bands, but you do not get to choose. They vary approximately from 600 MHz to 52.5 GHz. In the United States the operating frequencies are designated FR1 and FR2. FR1 are the 5G low-band frequencies from 410 MHz to 7.125 GHz. FR2 defines the upper mmWave bands from 24.25 GHz to 52.6 GHz. As with LTE there are many individual bands in each category assigned to each carrier. The bands are numbered from n1 to about n261. These can change.

5G phones will only be able to use two or three page 785 bands that are supported by your CSP. These bands will be different for each carrier. For that reason, the 5G phone you buy will only work on those bands plus the LTE fallback bands. Your Verizon 5G phone will not work on AT&T bands and vice versa. That means if you switch carriers, you will need a new phone. The reason for this limitation is that there is only so much PCB space in a phone and dozens of filters are needed in the radio frequency front-end (RFFE) just to use 5G and LTE.

Carrier spectrum holdings are continually being re-farmed by the carriers to enable new equipment and technologies. Some new spaces have been found in the 3.5-GHz and 5-GHz range although some of this spectrum is either unlicensed or to be shared, or both. A feature already implemented in 4G LTE called Licensed Assisted Access is provided to allow carriers to combine their licensed spectrum with available unlicensed spectrum such as available space near 5 GHz that would be shared with Wi-Fi. Additional new spectrum in the 600- to 800-MHz range has been found and auctioned off to the highest bidders. Most initial 5G installments will use some spectrum below 6 GHz.

Additional space has also been allocated in the mmWave spectrum from about 24 GHz up to 95 GHz. In the United States, three spectrum segments around 28, 37 to 39, and 47 GHz have been dedicated to 5G. So has 73 GHz, but further R&D needs to be done to make this super high. These segments offer enough contiguous bandwidth to implement the Gbps data rates demanded by the standard. Specifically the frequency assignments are 27.5 to 28.35 GHz, 37 to 38.6 GHz, and 38.6 to 40 GHz. The unlicensed band from 71 to 76 GHz is also a future location.

Modulation. 5G uses an enhanced version of OFDM with a cyclic prefix (CP). The main changes are the ability to select the width of the subcarriers. Under LTE, the subcarrier widths are fixed at 15 kHz, but with 5G, the subcarrier width can be increased to 30 kHz. Subcarrier width can also be set to 60 kHz, 120 kHz, or 240 kHz. A resource block (RB) is still 12 subcarriers wide regardless of the subcarrier width. With OFDM Access, one or more RBs are assigned to each user.

Remember that with OFDM the serial data to be transmitted is first divided into multiple slower data streams that each modulates a subcarrier. Available modulation methods are QAM16, QAM64, and QAM256.

Bandwidth

The bandwidth depends upon what bands in FR1 or FR2 you are using. Channel bandwidths for FR1 5G are 10, 15, 20, 25, 30, 40, 50, 60, 80, 90, and 100 MHz. For FR2 bandwidths of mmWave spectrum 50, 100, 200, or 400 MHz are possible.

Carrier aggregation (CA) is supported with either contiguous or noncontiguous segments of spectrum. The higher bandwidth assignments are sure to produce the

super-fast data rates called for by the standard and the application.

Duplexing. For assignments below 6 GHz, FDD is used, requiring two segments of spectrum for full duplex operation. In some instances, TDD may be used. In the mmWave bands, only TDD may be used thereby conserving spectrum.

Antennas. 5G NR takes the use of multiple antennas to a new level. For example, 5G implements multiple-input and multiple-output. MIMO uses two or more antennas along with their transceivers to produce multiple signals that can be simultaneously transmitted in the assigned bandwidth. The data to be transmitted is divided into multiple slower streams each sent over one of the MIMO channels. All signals are carried over the same bandwidth. The different signal paths taken between the transmit and receive antennas and the different impact upon each subcarrier permit each signal to be individually recovered. The signals may also be coded to produce coding gain and provide further assistance in recovering each signal.

The use of MIMO greatly reduces the multipath page 786 interference and fading making the communications link more reliable. However, a real benefit of MIMO is that it increases the signal data rate by a factor equal to the number used to transmit antennas. With four MIMO antennas, 500 Mbps signal is boosted to $4 \times 500 \text{ Mbps} = 2 \text{ Gbps}$. In systems below 6 GHz, up to eight antennas can be used downlink and four uplink. In the mmWave bands only 2T2R arrangements are permitted.

Another antenna technology supported is active or agile beamforming. Using high antenna count phased arrays, the antenna radiation pattern can be manipulated to form a very narrow beam that adds gain to the transmitted or

received signal. This allows signals to travel farther and the extra signal power is helpful in passing through walls and windows of buildings, or trees or other obstacles. That narrow beam can also be steered to any azimuth position to single out the desired target device. Moving the beam helps eliminate interference from nearby signals. Interference can be further reduced by creating signal nulls where needed.

At mmWave frequencies, phased arrays are very small. Some are small enough to be built into a handset or a chip inside the handset. Otherwise, external phased arrays are also small and will no doubt be used as the antennas of choice at the base stations. At frequencies below 6 GHz, it is difficult to put more than two antennas inside the handset. For larger models, it may be possible to include four antennas. At the cell base stations, four or more antennas are easily accommodated. A 4T2R scheme is expected to be a common configuration.

Another feature that may be implemented in 5G is multiuser MIMO. MU-MIMO allows multiple users to access a single phased array antenna. The many individual patch, slot, or other antennas are small, and they may be grouped to form two or more individual antennas for sharing. Additional benefits are improved reliability owing to newer antenna types that implement spatial diversity or use techniques such as polarization multiplexing to accommodate massive MIMO or MU-MIMO.

21-6 Smartphone Analysis

The most sophisticated cell phone available today is called a smartphone. It incorporates LTE and a wide range of other wireless technologies. The newer smartphones will have 5G as well. Chances are that you already own smartphone. Here is a brief analysis of what's inside the typical modern smartphone.

Refer to the simplified block diagram of a typical smartphone as shown in Fig. 21-4. Most cell phones today are no longer just two-way radios for making phone calls. Instead, at the core of the smartphone is a dual processor or quad processor microcomputer that implements all of the various functions. Today's smartphone is in reality a general-purpose microcomputer that just happens to have cell phone with other communications capabilities built in. The computing power available has enabled the development of a wide range of software applications (apps). These apps give the smartphone capability far beyond its original function.

Figure 21-4 Hypothetical 5G smartphone architecture.

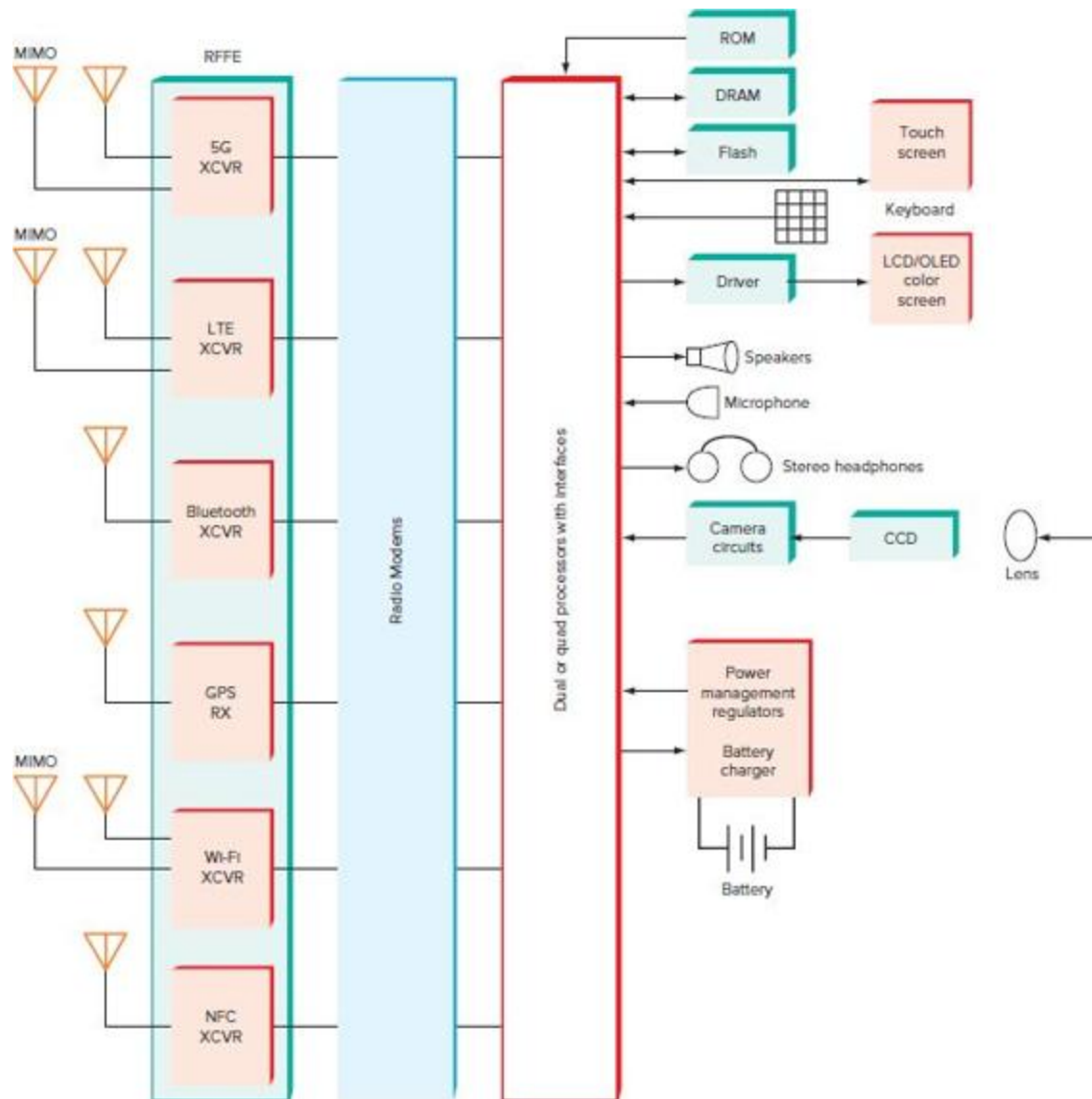


Fig. 21-4 shows the major building blocks of a 5G phone. It is a hypothetical example as different smartphone manufacturers have different architectures. However, all of the major components of a 5G phone are represented.

RFFE. The RFFE may be the most complex part of the phone. It is the high-frequency segment that includes dozens of film bulk acoustic resonators (FBARs), surface acoustic waves (SAWs), or other filters that define the frequencies of operation. Each transceiver (XCVR) contains the low noise amplifiers (LNAs) for the receivers and the

power amplifiers (PAs) for the transmitters. The RFFE includes all the switching circuits and needed duplexers.

The RFFE circuits work with the modems to complete the 5G, LTE, or other radios. The modems interface with the main system processors that run the operating system and other features.

Most new handsets will also contain at least two page 787 MIMO antennas and possibly more for the 5G and LTE radios.

Color Touch Screens. The prominent feature of every smartphone today is its large color screen. These high-resolution displays are made with different technologies, such as LCD or OLED. All of them today are touch screens, meaning that all controls such as buttons, keyboards, and other operational tools are operated by pressing or swiping the screen.

Cameras. Most cell phones and most smartphones contain a digital camera. These cameras use a CCD or CMOS light sensor and a lens to capture a scene and store it in flash memory. These cameras have resolutions from 5 to 40 megapixels, therefore rivaling stand-alone cameras. Many of the cameras are accompanied by an LED flash. While these cameras are primarily for still photos, most are capable of recording real-time video. Many smartphones also have a second, front-facing camera for making video phone calls and taking selfies.

Bluetooth. Bluetooth is a short-range radio page 788 technology to be discussed in Chap. 22. However, its primary function in most cell phones is to implement a wireless headset and microphone. The Bluetooth radio connects with the vehicle's infotainment sound system for full hands-free use of the smartphone while driving.

Bluetooth is also used as a connecting device for smart watches, a wearable accessory to many smartphones. The smart watch provides call, text, or e-mail alerts, time, and other information without taking the smartphone out of your pocket or purse. See Fig. 21-5.

Figure 21-5 The Apple watch communicates with a smartphone with Bluetooth wireless technology.



Denys Prykhodov/Shutterstock

Wi-Fi. Wi-Fi is the wireless local area network (WLAN) technology widely used throughout the world to implement Internet connections. Virtually all smartphones contain a Wi-Fi transceiver, and many include two antennas for MIMO. The Wi-Fi capability permits smartphones to connect to any available access point or hot spot, including wireless routers that are part of many home broadband Internet connections today. This Wi-Fi capability allows the smartphone to serve as a hot spot for other devices such as a laptop PC. The laptop connects with the smartphone via Wi-Fi and the

smartphone connects with the cellular network with access to the Internet. Most new smartphones will contain the latest and fastest Wi-Fi version, either 802.11ac or 802.11ax. Wi-Fi is covered in Chap. 22.

GPS. Another radio inside of most smartphones is a GPS receiver. This gives the smartphone navigation capability. The smartphone is usually accompanied by mapping software that provides vivid visual displays of maps tied to the GPS navigation satellites. Many vehicles have a separate GPS receiver that is part of an integrated dashboard navigation system.

NFC. NFC is near field communications, another short-range radio technology built in to some smartphones. It is used in payment systems that eliminate cash and credit cards. NFC is not in all cell phones.

Functional Features. In addition to being able to page 789 make a phone call to any other phone anywhere in the world, all smartphones have Internet access. The operating system software includes a browser to allow you to access the Internet just as you would from a desktop PC or laptop. The only disadvantage is the small screen and keyboard. Basically anything you can do on a PC you can also do on a smartphone, including texting, e-mail, games, music and video playback, social media, and two-way videoconferencing.

All of these features are possible because of the internal processing power. Most smartphones contain a processor that contains two cores, each core being a full 32-bit microcontroller. Some phones also have larger quad core processors, and many incorporate 64-bit processing power as well as 32-bit processing power. These multiple processors implement the DSP required of most phones today. All cell phones are software-defined radios, and

virtually all of the modulation, demodulation, encoding, decoding, voice and video compression, and other functions are handled by software in the processors. The processors also run the operating system and any applications software that is added later. The processors are usually accompanied by standard DRAM and flash memory. A variety of special serial and parallel interfaces are provided to connect to the display, cameras, and other peripherals.

21-7 Base Stations and Small Cells

Base stations, also called cell sites or macro cells, form the heart of the cellular network. They implement all radio connectivity and operational and control functions and connect to the carrier's telephone network as well as the Internet by way of backhaul equipment. A key trend today is the incorporation of small cells to complement the existing base stations to improve coverage and data speeds.

Base Stations

The most complex and expensive part of any cellular telephone system is the network of *base stations* that carriers must have to make it all work. Over the years, carriers have added many more base stations to handle the constantly growing number of subscribers. In addition, each base station has expanded and become more complex because of the growing number and variety of radio standards it must handle. An effort has been made by base station manufacturers to consolidate the equipment by using software-defined radio techniques and DSP. These methods permit the base station receivers to accommodate existing multiple standards and to be able to work with new

standards by reprogramming rather than replacing equipment.

Base stations consist of multiple receivers and transmitters so that many calls can be handled on many different channels simultaneously. The transmitters in the cell site are much more powerful than those in the handsets. Power levels up to 40 W are typical. These power levels are achieved with highly linear broadband class A or class AB power amplifiers. Since LTE systems require linear amplification, base stations are using digital pre-distortion (DPD) and envelope tracking (ET) to improve efficiency. Superior linearity is critical, especially in LTE systems that cover a broad spectrum. Nonlinearities produce intermodulation and spurious signals that can make a system inoperable. Small cells for mmWave frequencies use much less power but must still maintain good linearity.

The most visible feature of a base station, of course, is its antenna on a tower. The antennas used by base stations must serve many transmitters and receivers by means of isolators, combiners, and splitters. Base station antennas have become directional rather omnidirectional, as the cell patterns suggest. This “sectorization” of the cell site has helped to increase subscriber capacity with minimal cost. Most base stations use a triangular antenna array that looks like the one shown in Fig. 21-6. On each side of the triangular frame is an array of three vertical antennas forming a broadside or collinear array that may also use reflectors. Each of the three arrays produces a gain of about 8 dB and an antenna pattern with a beam width of 120° . This divides the cell coverage into three equal sectors. See Fig. 21-7. This directional capability provides excellent isolation of the three sectors, which in turn permits the same channel frequencies to be used in each of three 120° sectors. Some sites also use two supplementary antennas that provide spatial diversity, which greatly improves the reception of weak signals from the handset. Carriers are beginning to

use more sophisticated “smart” beam-forming antennas with more elements, arrays, and sectors to further improve capacity.

Figure 21-6 Typical triangular cell site antenna.

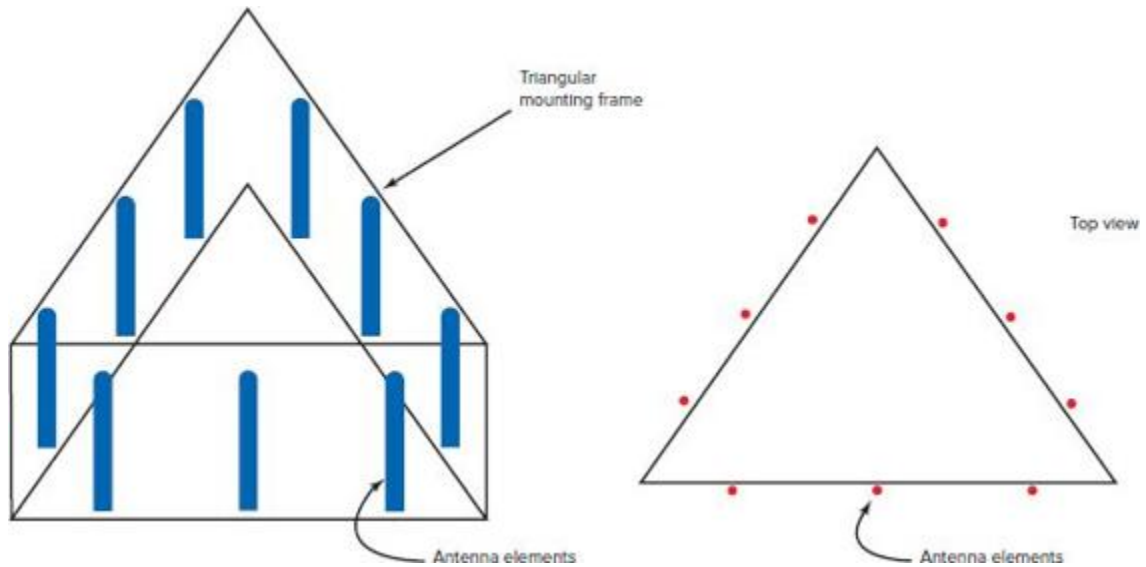
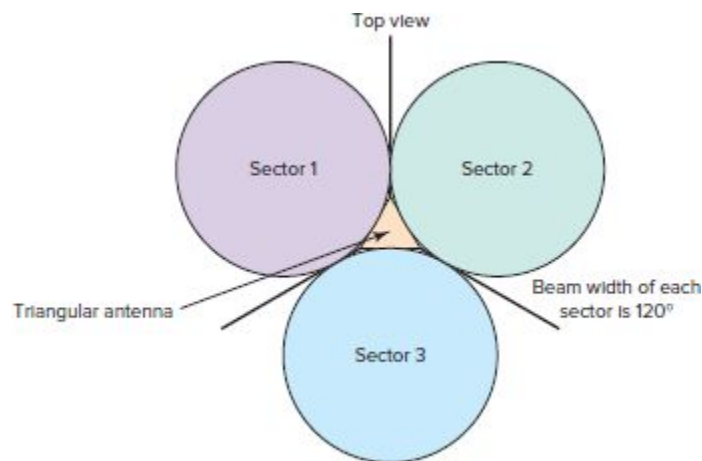


Figure 21-7 Horizontal radiation and reception pattern of a typical cell site antenna.



A key trend is packaging all the RF transmit and receive circuitry, including power amplifiers, into a small housing that is mounted at the antennas at the top of the tower. These are called remote radio heads (RRHs). They eliminate

the long, expensive, and high-loss transmission lines, thereby greatly improving base station power efficiency. The base station equipment is connected to the RRH by way of a digital fiber interface called the Common Public Radio Interface (CPRI).

Small Cells and HetNet Rationale

A small cell is a miniature cellular base station (BS) with limited power and range. Its function is to complement the larger macro base stations now the most common form of cell site. This permits greater subscriber capacity as well as higher data speeds for all concerned. Small cells are a growing trend that is expected to have its greatest impact in the future.

Currently, cell phone traffic is handled by a huge network of cell sites called macro BS. With their high power, tall towers with multiple antenna arrays, long range, and backup power sources, these macro BS cover most of the United States except for some very rural and geographically challenged areas. There are nearly 300,000 such base stations in the United States. It is getting increasingly more difficult to find and secure suitable locations for such BS. The solution is the small cell.

In addition, the success of the smartphone and the growing subscriber demand for more and faster service are putting the pressure on cellular carriers to expand and upgrade their BS deployments. The CSP's response has been to upgrade their systems with the 4G LTE Advanced and Advanced Pro options that offer significantly faster download speeds demanded by the major increase in video consumption. One clear solution to further improvements is the LTE small cell.

While the adoption of LTE Advanced enhancements has boosted capacity and speed, limits are being reached. The OFDM of LTE along with advanced modulation methods and MIMO have pushed the spectral efficiency (bits/Hz/Hz) of the cellular system to the Shannon limit. LTE Advanced will improve speeds by providing more bandwidth through carrier aggregation. The ultimate limit is the spectrum available to the carrier. Again small cells and frequency reuse can provide an interim solution until more spectrum is freed up.

Another major issue is indoor performance of cell phones. It has been shown that over 80 percent of all cell phone calls are carried out indoors, in homes, offices, shopping malls, hotels, and other venues. Indoor performance is significantly poorer than outdoor performance as the radio signals are seriously attenuated, distorted, and redirected by walls, ceilings, floors, furniture, and other obstacles. Indoor situations limit the range of the radio and furthermore greatly curtail data speeds. LTE is helpful in overcoming this problem, but the real solution is the small cell.

As it turns out, public and private Wi-Fi hotspots and access points fit the basic definition of a small cell. They can connect to a user smartphone, tablet, or laptop and provide access to the video and other information and media demanded by the user. You don't have to use the cellular network to download video or access other big data applications if a Wi-Fi hotspot is nearby.

Groups of physically small cells can be installed anywhere, indoors or out. They can sit on a desk or be mounted on a wall, roof, lamp post or light pole. The small cells fill in the gaps in coverage and provide service where macrocell coverage is poor. In high-density population, cities with tall buildings are examples.

It is estimated that there will be from 5 to 25 small cells per macrocell in most networks. Networks of small cells

overlay, or as some say underlay, the macro network to provide an overall boost not only in data speeds but also in subscriber capacity. The general customer performance is greatly improved with more reliable connections and significantly higher download speeds.

Another piece of the small cell trend is distributed antenna systems (DAS). DAS uses fiber-optic cable from a macro BS to an array of antennas spread over a wide area to extend the reach and improve connection reliability. It is used in large buildings, airports, convention centers, sports complexes, and other large public venues. The collection of macro BS, small cells, Wi-Fi hotspots, and DAS is now referred to as a heterogeneous network or HetNet.

All small cells will use the existing licensed spectrum assigned to the carrier's networks. The limited spectrum is shared by the method of frequency reuse and spatial diversity. Frequency reuse refers to the use of the same band by multiple cell sites. Spatial diversity means that these sites are spaced from one another so that coverage areas do not overlap and power levels are controlled to eliminate or minimize interference to adjacent cells and those on the same frequency.

Small Cells Defined

There are several different sizes and versions of small cells. They vary in the number of users they can handle, their power and range. In virtually all cases, they all include the essential technologies of the carrier, LTE, 5G, and Wi-Fi. They have a power source and a backhaul connection to the cellular network. Table 21-2 shows the general names and capabilities of each major classification.

Table 21.2	A Summary of the Main Categories of Licensed Small Cells with Their
-------------------	----------------------------------------------------------------------------

Defining Characteristics				
	Femto	Pico	Micro/Metro	Macro
Indoor/outdoor	Indoor	Indoor or outdoor	Outdoor	Outdoor
Number of users	4–16	32–100	200	200–1000+
Max output power	20–100 mW	250 mW	2–10 W	40–100 W
Max cell radius	10–50 m	200 m	2 km	10–40 km
Bandwidth	10 MHz	20 MHz	20, 40 MHz	60–75 MHz
Technology	3G/4G/Wi-Fi	3G/4G/Wi-Fi	3G/4G/Wi-Fi	3G/4G
MIMO	2 × 2	2 × 2	4 × 4	4 × 4
Backhaul	DSL, cable, fiber	Microwave, mm	Fiber, microwave	Fiber, microwave

The smallest is the femtocell. A femtocell is a single-box BS used by the consumer or small offices to improve local cellular service. Femtos have been around for years, and millions have been installed by most of the larger carriers. Connection to the Internet is by way of the customer’s high-speed Internet connection via a cable TV or DSL telecom provider. There are also enterprise femtos that handle more users and provide a significant boost in indoor accessibility.

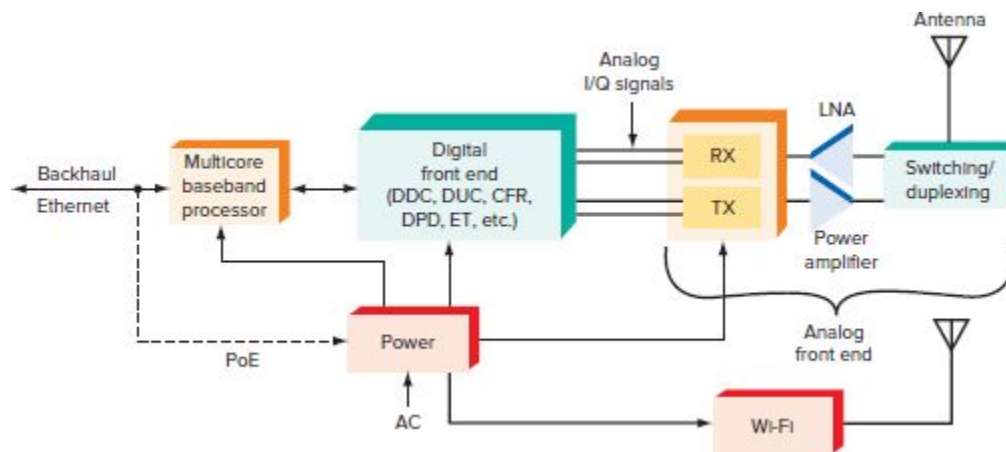
There are progressively larger small cells such as the picocell, microcell, and metrocell, each with increasing capacity, power, and range. Virtually all handle legacy 3G and LTE and include Wi-Fi. Many of the future small cells will also feature LTE Advanced, the faster version of this 4G technology. See Table 21-2 for details.

Inside the Small Cell

A small cell is still a cellular base station but boiled down to only a few key chips and circuits. Thanks to super-fast multicore processors, most 5G and LTE baseband operations are easily handled by a single IC. This baseband IC is then

connected to the RF circuitry making up the radio transceiver. A general block diagram is shown in Fig. 21-8.

Figure 21-8 This general block diagram of a small cell indicates that it is essentially a multicore baseband digital processor connected to the analog RF front-end made up of the transmitter and receiver. Backhaul is usually via Ethernet and/or fiber-optic cable.



The RF transceiver called the analog front-end consists of the receiver (RX) and transmitter (TX). The receiver gets its signal from the antenna, amplifies it in an LNA, and sends the signal to I/Q mixers forming a demodulator that recovers the signal. The signals are passed to analog-to-digital converters (ADCs) that create the input to the digital front-end processor.

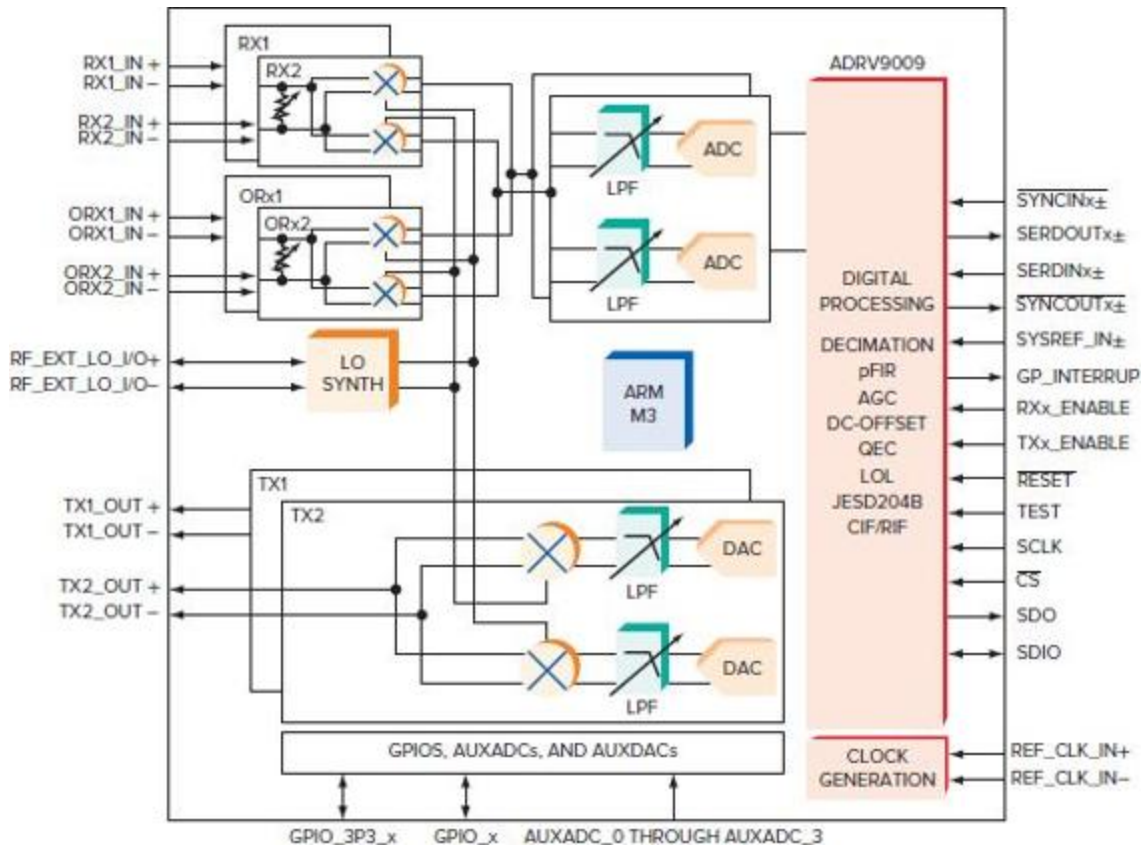
Between the RF front-end and the baseband page 793 processor is additional circuitry that performs decimation, digital upconversion (DUC), and digital downconversion (DDC). Other digital processing includes crest factor reduction (CFR), digital predistortion (DPD), and envelope tracking (ET). DPD and ET are used for linearization of the RF power amplifiers to improve efficiency. All this circuitry may be in a separate ASIC or FPGA or may be included in the baseband chip or front-end RF circuitry.

The baseband processor creates the digital I/Q signals for the transmitter. These go to digital-to-analog converters (DACs) in the analog front-end that produce the analog equivalent signals. These are sent to I/Q mixers that form a modulator. The modulator output is then sent to one or more PAs and then to the antenna.

The baseband processor has both multiple standard CPUs and DSPs and handles all the modulation and demodulation and other process involved with the various cellular standards. The I/O to the backhaul is typically by Ethernet. Power comes from a power over Ethernet (PoE) connection if available or by some other source.

Fig. 21-9 shows an example of single-chip analog transceiver that gets its inputs and outputs from/to the RFFE. This is the ADRV9009 from Analog Devices. It is a dual transceiver that is designed for implementing 5G, 4G, or 3G base stations. It contains the I/Q transmit modulators and the receive demodulators as well as their fractional-N frequency synthesizers for channel selection. The multiple circuits support 2T2R MIMO. The synthesizers provide tuning over 75 MHz to 6 GHz. The ADCs and DACs are included on chip. The digital interfaces to the baseband processor are the JESD204B. The receiver section receives its inputs from external LNAs in the RFFE. The transmitter output amplifiers drive external power amplifiers.

Figure 21-9 The Analog Devices ADRV90089 dual transceiver for cellular base station application.

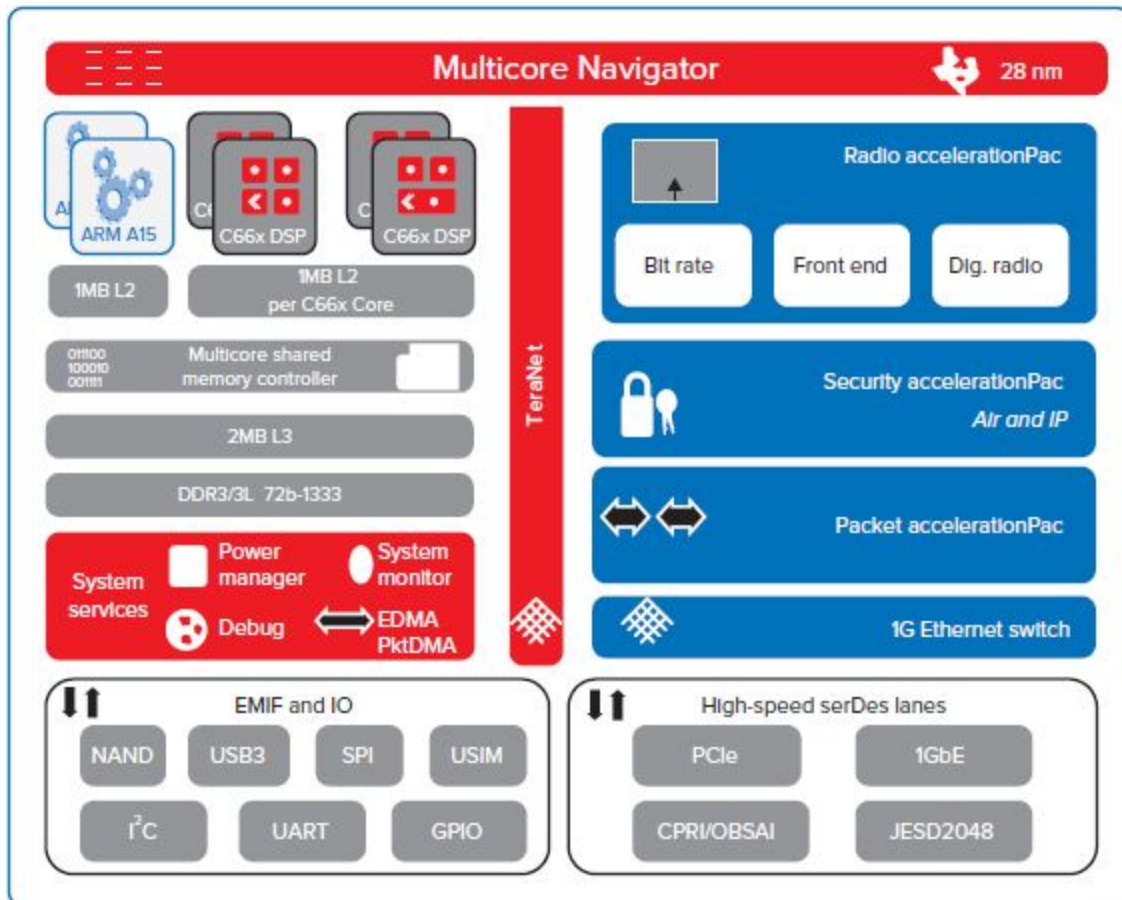


Source: Analog Devices

The baseband functions in a base station or small cell are implemented by a single chip containing multiple processors, memory, logic, and interface circuits. An example from Texas Instruments is the KeyStone line; these processors contain a mix of ARM A15 RISC processors as well as TIs C66x DSPs. One typical unit is the TCI6630K2L shown in Fig. 21-10. It contains two ARM cores and four C66x DSPs. It also contains multiple logic accelerators to speed up operations, minimize the number of cores, and reduce power consumption. This chip also includes the digital front-end circuits like DUC/DDC/DPD/CFR. Multiple interfaces include the JESD240B, PCIe, SPI, USB, and a gigabit Ethernet switch.

Figure 21-10 The Texas Instruments TCI6630K2L is a small-cell baseband processor with two ARM CPUs and four C66x DSPs, plus

accelerators, the digital front-end components, and multiple interfaces including a gigabit Ethernet switch.



Finally, most small cells will generally contain Wi-Fi and GPS. Power will come from Power over Ethernet (PoE) plus a mix of DC-DC converters and regulators. Most power is consumed by the RF power amplifiers and the baseband processor SoC.

Timing and Synchronization

A key requirement of all LTE and 5G base stations, macro or small cell, is timing and synchronization of all the radios in the network. Timing and synchronization is essential to achieve the specifications of the Third Generation Partnership Project (3GPP), the organization establishing the

LTE and 5G standards. The timing and synchronizations is implemented by delivering a formatted clock signal to the radio circuits of the base station. These signals are then used to create the phase and frequency components of the LTE modulation. Timing and synchronization is also essential for proper handoff and backhaul coordination.

Several timing and synchronization methods have been developed including synchronous Ethernet (SyncE) or G.8262 by the ITU and the IEEE's Precision Time Protocol (PTP) 1588-2008. The latter seems to be the preferred method, but both are used. The PTP can be delivered with a grandmaster clock in the form of a time stamp over the packet network. An alternative is Network Time Protocol (NTP) that is designed to synchronize a clock to some time reference over a variable latency data network.

The timing requirements for implementing 5G and LTE in the network are severe. The typical clock precision required is 16 parts per billion (ppb) in the transport network and 50 ppb in the air interface. For 5G and Advanced versions of LTE, the phase requirements are also critical.

The 5G and LTE Advanced small cells have strict page 795 timing and synchronization requirements to implement the key features of enhanced inter-cell interference coordination (eICIC) and coordinated multipoint transmission/reception (CoMP) both a type of interference management technology required for self-organizing networks (SON).

Backhaul

Backhaul is the name of the connection of a cell site to the core network. Older original base stations used T1 or T2 lines, but today most macro BS in the United States use fiber-optic cable. Some in harder-to-reach areas use a

microwave link. Fiber is preferred, of course, as it is fast and reliable. However, it is costly to install as it requires access to property, digging in the ground, or permission to use power poles. Microwave is simply line-of-sight (LOS) point-and-shoot wireless. It is not as fast, but that limitation is gradually going away with the new systems. With most microwave links, a data capacity up to 1 Gb/s is usually available.

Small-cell backhaul will most likely be a mix of fiber and wireless. If fiber is available and affordable, it will be used. Otherwise, a wireless link will be the backhaul of choice.

Small-cell backhaul will sometimes be tricky. With small cells on lamp posts, sides of buildings and in other odd locations, fiber or even AC power may be hard to come by. A wireless link may be the only choice. And even that could be a challenge in large cities with tall buildings and other structures blocking most paths back to the core network. Multiple hop links may be used in some instances.

Some potential backhaul locations are the 60-GHz page 796 band and 70/80-GHz E-band. The 80-GHz band does also require a license, but the 60-GHz band does not. The 60-GHz band (57-64 GHz) is an industrial-scientific-medical (ISM) band that is open to any service.

The millimeter-wave bands above 30 GHz offer lots of bandwidth to support higher data rates; their range is severely limited by the physics of their short wavelength. However, with high-gain directional antennas and higher power, ranges can extend to several kilometers. Just recently the FCC modified the Part 15 rules and regulations to permit higher power and antenna gains in the 60-GHz band to make it more useful for small-cell backhaul.

Fig. 21-11 shows one kind of small-cell backhaul unit. It mounts next to the small-cell enclosure.

Figure 21-11 The Ceragon FibeAir IP-20C is typical of the small-cell backhaul units available. This one packages the radio, interfaces, and dish antenna into a single unit and is available in standard licensed band frequencies from 6 to 71 GHz. Typical data rate is 1 Gbps in a single Ethernet channel. It uses 2048 QAM.



Ceragon Networks

Self-Organizing Networks

Self-organizing networks (SON) are a software solution to managing a HetNet. While the interaction between macrocells is usually managed manually, with multiple small cells such a manual task is overwhelming. With SON, the HetNet will essentially manage itself. SON can automate configuration and dynamically optimize the network based on the traffic loads.

SONs can be categorized by their three basic functions: self-configuration, self-optimization, and self-healing. Self-configuration refers to the system as one that adjusts the small-cell frequency, power level, interfaces automatically as it is added into the system. It works with the automatic neighbor relations (ANR) software that builds and maintains a list of all cells in the network and the location and physical characteristics of each. If any new cell is added, the configuration is automatic and the list is updated. The same occurs if a cell is removed.

Self-optimization refers to the ability of the page 797 network to adapt itself to surrounding conditions and optimize its performance based on coverage, capacity, handover between cells, and interference. Two key functions are load balancing and interference mitigation. Load balancing is dividing the traffic between the cells so that no one cell becomes too overloaded if adjacent cells are within range and have available capacity. Load balancing occurs automatically. And this ability also helps balance the backhaul traffic load.

Interference management is essential in a HetNet as the small cells are generally closely spaced and could potentially interfere with one another. SON software uses the cells to measure the characteristics of nearby cells to make a determination if interference is a possibility then makes adjustments dynamically to change frequency or power level as necessary to minimize interference.

Self-healing refers to SONs' ability to adjust to changing conditions such as cell failure.

SON is a key part of a HetNet, and LTE makes provision for it in the standard. Tests have shown that SON can monitor and update a network within milliseconds in some cases and dynamically adapt. Overall throughput can be improved by 10 to 45 percent in many cases.

Distributed Antenna Systems

A key part of the HetNet movement is distributed antenna systems (DAS). DAS is not exactly a small cell, but its effect is similar in that it provides improved coverage and performance in a given region. What a DAS does is expand the coverage on a given base station by distributing the signal over a wider area using a network of antennas. DAS is useful for improving coverage in multifloor office buildings, stadiums, hotels, malls, airports, subways, as well as

tunnels and roadways. They can be used indoors or outdoors, although indoor coverage is more common.

GOOD TO KNOW

Repeaters are often used to extend the range of a radio. These are widely used in home and office Wi-Fi networks. A repeater is a special radio that receives the weak signal on one frequency, amplifies it, and then retransmits it on another frequency. Range can be extended for hundreds of feet and sometimes through walls. Multiple repeaters may be daisy-chained to increase the distance. Such repeaters are also available for cellular systems.

A DAS system essentially makes a connection to one or more existing macro base stations either by direct connection or by a wireless link. It then distributes this service over fiber-optic cable or coax cable or some combination. Typically the unit connected to the base station involves a repeater or controller that amplifies the RF signal and converts it to an optical signal and sends it to various regions in the coverage area by way of fiber-optic cables. The fiber connects to distribution boxes that convert the optical signals to RF for coax cable distribution to an array of antennas. These antennas must be separated from one another by several wavelengths to be effective. The array essentially divides the transmitted power among the antennas. DAS effectively eliminates dead zones caused by the huge attenuation with distance and through walls and ceiling and other obstructions. It provides a more direct line-of-sight connection to the cell phone or other user device.

DAS may be either passive or active. Passive systems are simplest and use a mix of filter, splitters, and couplers to distribute the signals. Active system uses amplifiers and repeaters to boost signal levels.

The DAS is usually owned by the facility owner instead of the cellular carrier as are all other small cells. A distribution agreement with the carrier is necessary. DAS may be carrier

specific or generic to handle any 2G/3G/4G signals. Some DAS work with Wi-Fi as well.

CHAPTER REVIEW

Online Activity

21-1 Investigate the SIM Card

Objective: To determine the presence and function of a SIM card in a cell phone.

Procedure:

1. Search on the term *SIM* as it relates to cell phones.
2. Answer the following questions.

Questions:

1. What does *SIM* stand for?
2. Where in the cell phone is the SIM card?
3. Do all cell phones have a SIM card?
4. What circuitry is on a SIM card?
5. Can SIM cards be used to reconfigure a cell phone from one user to another?

21-2 Investigate the base station

page 798

Objective: Explore the Terminology of Cellular Base Stations

Procedure:

1. Search on the terms *base station*, *cell site*, *Node B*, *eNode B*, and *RAN*.
2. Answer the following questions.

Questions:

1. Define *Node B*.
2. Define *eNode B*.
3. Define *RAN*.

Questions

1. What key communication technology is referred to when the term *wireless* is used?
2. What is the current latest generation of cell phone technology?
3. Who assigns the frequency bands to the CSPs?
4. What primary characteristic determines cell site range of coverage?
5. Identify the frequency ranges of the FR1 and FR2 spectrum bands.
6. Name five access methods used in cellular systems.
7. True or false? Cellular telephone radios operate full duplex.
8. True or false? Cell site coverage areas are not all the same size.
9. Name the three major U.S. cellular carriers.
10. True or false? There are more wire line telephone subscribers than cellular subscribers.
11. What major challenge keeps carriers from expanding their capacity and data speed?
12. What one application has forced cellular data rates to increase?
13. What is the primary radio technology of LTE phones?
14. Which type of duplexing is the most widely used?

- 15.** What circuit in the cellular telephone allows a transmitter and receiver to share an antenna?
- 16.** What is the benefit of TDD over FDD?
- 17.** State the relationship between data rate and bandwidth as it applies to the cellular system.
- 18.** What technique allows multiple base stations to share a common channel?
- 19.** What is a vocoder?
- 20.** List the two primary 3G digital cell phone systems used worldwide. Which is the most widely used?
- 21.** Voice calls are more common on a smartphone today than a text or social media reference. True or false?
- 22.** What unit of measure is used to determine the spectral efficiency of a modulation scheme?
- 23.** What is the bandwidth of a GSM channel?
- 24.** How many users can share a channel in GSM?
- 25.** True or false? GSM uses TDMA.
- 26.** What modulation is used in GSM?
- 27.** What type of multiuser access is available in IS-95 CDMA and WCDMA?
- 28.** What is the bandwidth of a typical CDMA and WCDMA channel? State the maximum number of subscribers that can use the channel.
- 29.** What feature of CDMA is critical to its success in reception?
- 30.** By what method is a CDMA channelized?
- 31.** What is the primary architecture of the receiver in a modern cell phone?
- 32.** Why is the I/Q circuit arrangement used in cell phones?
- 33.** List four functions typically performed by a DSP chip in the baseband part of a cell phone.
- 34.** At what point in most receivers are the A/D converters placed?
- 35.** Describe the basic antenna structure of a typical cell site base station.

36. Describe the antenna radiation pattern and explain how it permits sectorization.
37. How does the antenna permit frequency reuse?
38. What types of amplifiers are used in base stations? What is their power level?
39. Why is power amplifier linearity so important?
40. What antenna technology permits increased subscriber growth on existing base stations?
41. What is the name of the latest cell phone technology that is marketed as 4G?
42. What modulation methods are used with 4G cell phones?
43. Define the term *resource block* and give its specifications.
44. Does LTE use FDD or TDD?
45. Will an LTE phone from AT&T work on the Verizon network? Explain.
46. What is the maximum LTE channel bandwidth? What other bandwidths are popular?
47. What feature of LTE compensates for multipath and Doppler shift problems?
48. What is the maximum MIMO configuration for LTE? for LTE-A?
49. What limits the MIMO configuration in a smartphone? What is the maximum practical?
50. What is the approximate maximum data rate of LTE? What rate is more typical?
51. What access method is used with LTE? How does it work?
52. How does LTE Advanced implement data rates to 1 Gbps?
53. What is a remote radio head? What are its benefits?
54. Do LTE phones use 3G or 2G technology?

- 55.** List at least five different radios present in smartphones.
- 56.** How are voice calls handled in the typical 3G or 4G cell phone?
- 57.** How are voice calls handled in LTE?
- 58.** What is a HetNet?
- 59.** Name four basic small-cell sizes and their specifications.
- 60.** What is a macrocell?
- 61.** How do small cells improve the cellular network?
- 62.** What techniques make small cells feasible?
- 63.** What is backhaul? What are the most common types? Name two antenna-based techniques that are widely used in 5G.
- 64.** What is an alternative to an array of small cells to improve cellular coverage?
- 65.** What are the three basic technical goals and features of 5G cellular technology?
- 66.** What is the formal name of the fifth-generation wireless system?
- 67.** Name two applications that demand low latency.
- 68.** Name the three main mmWave bands for 5G in the United States.
- 69.** What does 4T2R mean?
- 70.** What is the main backhaul method for 5G small cells?

Problems

- 1.** Compute the spectral efficiency of modulation that gives a data rate of 2.4 Mbps in a bandwidth of 1.5 MHz. ◆
- 2.** Without any special modulation methods, approximately what bandwidth is needed to transmit a data rate of 1.2 Mbps?

3. How many LTE resource blocks fit into a 20-MHz channel?
4. What is the bandwidth of an LTE subcarrier?
5. What is the maximum number of users on a femtocell?

◆ *Answers to Selected Problems follow Chap. 23.*

Critical Thinking

1. Can 5G replace Wi-Fi? How?
2. Are mmWave signals really harmful to humans. How? If so, what can be done about it?

Section 21-4 is largely derived from the original article “An Introduction to LTE-Advanced: The Real 4G” by Louis E. Frenzel, published by *Electronic Design* magazine (Penton Media Inc.) in January and February 2013, www.electronicdesign.com.

Section 21-7 is largely derived from the original article “Understanding the Small Cell and Het Net Movement,” by Louis E. Frenzel, published by *Electronic Design* magazine (Penton Media Inc.) in September and October 2013, www.electronicdesign.com.

Wireless Technologies

Introduction

The most prevalent wireless technology is that associated with cell phones as described in Chap. 21. However, there are many more wireless systems and applications in common use today. These are primarily short-range systems that have a range of a few inches up to several miles, depending upon the application. This chapter describes the more widely used of these popular systems. Each is generally defined by a specific industry standard and is identified with one or at least a few well-known applications. These popular technologies and their main applications are summarized in the table below. There is a wireless system that fits virtually every need.

Wireless Technology	Primary Applications
Wi-Fi 802.11	Wireless Ethernet LAN
Bluetooth	Short-range wireless primarily for audio
ZigBee 802.15.4	Home/industrial monitoring and control
Ultrawideband (UWB)	High speed and short range for computer peripherals and video connections
Z-Wave	Consumer wireless IoT
Radio-frequency ID (RFID)	Wireless bar code for tracking and ID
Near-field communications (NFC)	Ultrashort-range for smart cards and ID
Industrial scientific medical (ISM)	Mixed-use unlicensed short-range telemetry and control
White space radio	Wireless telemetry and control and Internet access?

This chapter describes each of these technologies in greater detail.

One of the major applications for many of these page 801 wireless technologies is the Internet of Things (IoT). This is the concept that almost anything can be connected to the Internet. The wireless devices covered in this chapter are used to make those connections.

Objectives

After completing this chapter, you will be able to:

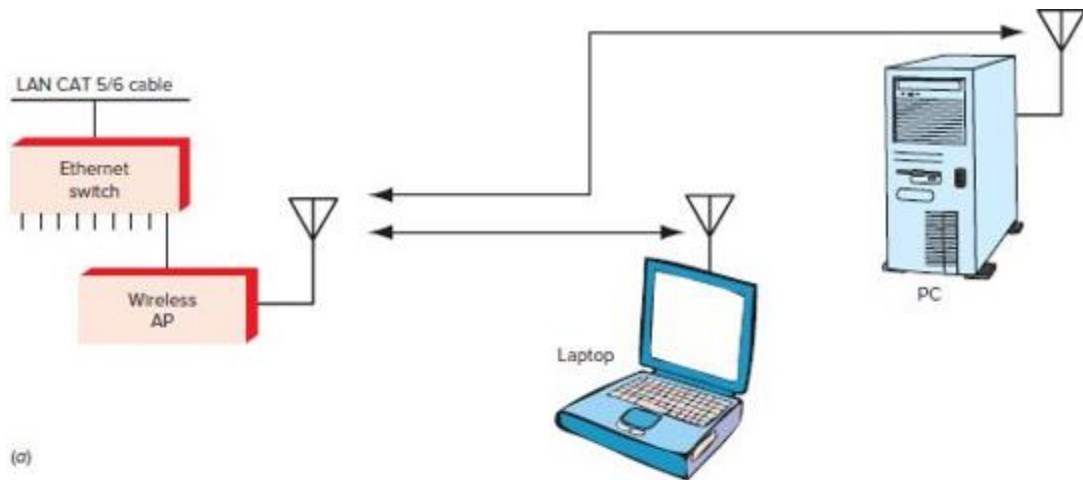
- Define personal-area network (PAN) and wireless local area network (WLAN).
- Name two popular PAN technologies.
- Identify the features, benefits, applications, and operation of the wireless technologies Wi-Fi, Bluetooth, ZigBee, Z-Wave, ultrawideband (UWB), LoRa, Sigfox, Weightless, and ISM band radios.
- Explain the operation and applications of the wireless technologies RFID, and NFC.
- Explain White Space radio.
- Define the Internet of things (IoT) and state its primary applications and cite three common applications of each.

22-1 Wireless LAN

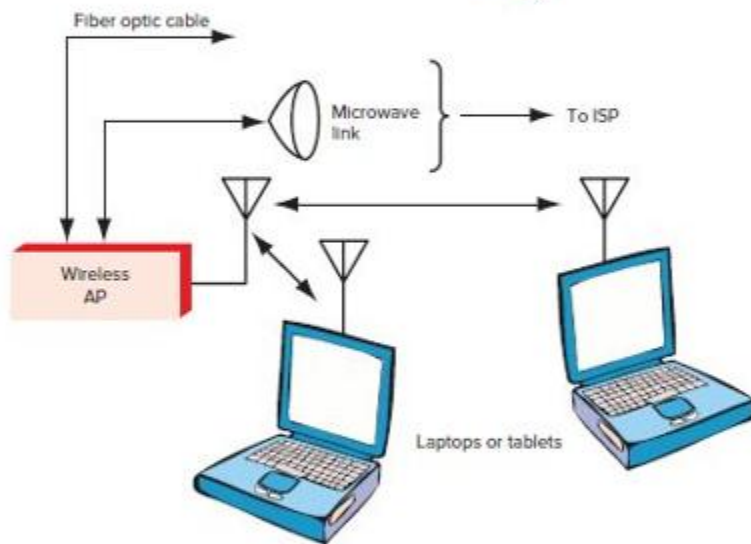
Wireless LANs are more commonly referred to by their trade name Wi-Fi. The terms Wi-Fi, WLAN, and 802.11 are used interchangeably in this text. Local-area networks (LANs) within a company, government agency, hospital, or other organization typically use Ethernet over CAT5 or CAT6

unshielded twisted pair as the transport medium. However, more and more, wireless extensions to these LANs are becoming popular as are entirely wireless LANs. Low-cost wireless modems installed in personal computers, laptops, tablets, smartphones, printers, and even some watches make this possible. Three common configurations are shown in Fig. 22-1. Fig. 22-1(a) shows a wireless access point (AP) is connected to an existing wired LAN, usually through an Ethernet switch. This AP contains a transceiver that can cover a specific geographic area, usually inside a building. This area usually extends out to no more than about 100 m, but generally the range is less due to the great signal attenuation of the walls, ceilings, floors, and other obstructions. PCs or laptops within that range and containing a radio modem can link up with the AP, which in turn connects the PC or laptop to the main LAN and any services generally available via that LAN such as e-mail and Internet access.

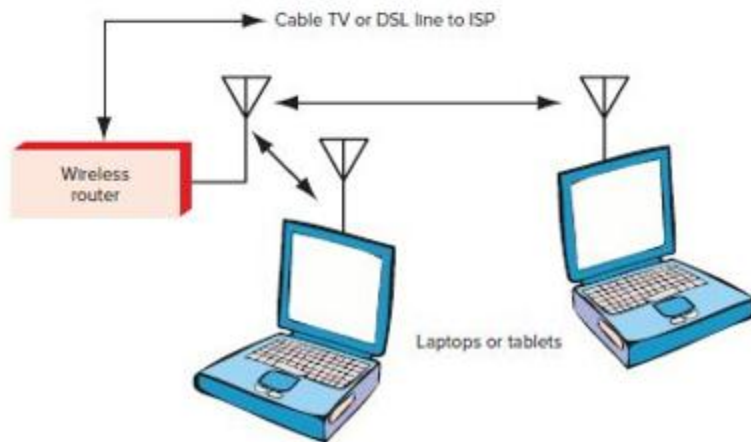
Figure 22-1 Types of WLANs. (a) Access point extension to a wired LAN. (b) Public access point via an Internet service provider (ISP), and (c) home router for Internet access.



(a)



(b)



(c)

Another popular configuration is shown in Fig. 22-1(b). Here the AP is connected to the main LAN or more commonly to an Internet service provider (ISP) by way of a

long-range interconnection such as a cable TV coax cable, fiber connection, or a microwave relay link. The AP is usually installed in a restaurant, coffee shop, airport, hotel, convention center, or other public place. It is more commonly known as a “hot spot.” Some cities are also installing municipal hot spots. Anyone with a laptop or smartphone equipped with a LAN modem interface can link up to the AP and access his or her e-mail or the Internet. There are hundreds of thousands of hot spots around the world.

What makes the wireless LAN so appealing is that it offers flexibility, mobility, convenience, and lower costs. To add a node to an existing wired LAN, the main problem is the new wiring. If such wiring is not in place already, it is time-consuming and expensive to pull cables through walls and ceilings and to install connectors. Moving computers within a building because of office reconfiguration is a huge problem and expense unless existing wiring can be reused. By using a wireless extension such problems essentially disappear. Any computer can be located at any new point quickly and easily at no additional cost. As long as the computer is within the range of the AP, the connection is automatic. Wireless is a great way to expand an existing network.

Another growing use of wireless LANs is in the page 802 implementation of home networks. See Fig. 22-1(c). page 803 As more and more families become users of multiple PCs, tablets, and smartphones, there is a need to interconnect each device to a broadband Internet connection such as a DSL or cable TV line. It allows each user to access e-mail or the Internet or to share a common peripheral such as a printer. A wireless connection to sources of streaming video from Netflix, Amazon, YouTube, Hulu, Acorn, and others is common and growing. Most homeowners do not want to wire their homes with CAT5/6

cable at great expense. Installing a wireless LAN is fast, easy, and very inexpensive these days. A special box called a residential gateway or wireless router connects to the cable TV or DSL and serves as the access point. This gateway or router uses a software approach called *network address translation (NAT)* to make it appear as if each networked PC has its own Internet address, when in reality only the one associated with the incoming broadband line is used.

Network address translation (NAT)

Hardware of Wireless LANs

The hardware devices in a wireless LAN are the access point or the gateway/router and the radio modems in the PCs. The access point is just a box containing a transceiver that interfaces to an existing LAN by way of CAT5/6 wiring. It typically gets its dc operating power via the twisted-pair cabling, because the dc supply voltage is superimposed on the data. The IEEE 802.3af standard related to furnishing dc power over the network cable is referred to as *Power over Ethernet (PoE)*. The AP is usually mounted high on a wall or ceiling to give good coverage to a specific area. The antenna may be built into the box or may be a separate array that gives directionality to the AP to ensure coverage of a desired area and minimum interference to other nearby WLANs.

Power over ethernet (PoE)

In a home network, the gateway or router is designed to attach to the DSL or cable TV modem with CAT5/6 cable. It often attaches to one of the PCs in the home network by cable. The other PCs, smartphones, or smart TV sets link to the gateway/router wirelessly.

The radio modems for each PC take many forms. All are transceivers with an accompanying antenna. The

transceivers are usually a single chip in most of the newer systems. Today, it is more common to have the radio modem built into the PC motherboard.

For laptops, smartphones, and TV sets, the modem is built in, so no special installation is needed.

Wireless LAN Standards: Wi-Fi

The only wireless technology used in WLANs today is Wi-Fi because it is the most flexible, affordable, and reliable. Known as the IEEE 802.11 standard, it is available in multiple forms for different needs. The table shows the most used versions of the standard and some technical details.

GOOD TO KNOW

The Institute of Electrical and Electronic Engineers (IEEE) sets the wireless standards for WLAN, but the Wi-Fi Alliance supports, promotes, tests, and certifies the interoperability of chips, modules, access points, and other products. The Alliance also develops enhancements to the standards. Wi-Fi is the official trademark for the 802.11 standard.

IEEE Standard	Frequency, GHz	Access	Max. Data Rate, Mbps	Max. Range, m
802.11a	5	OFDM	54	50
802.11b	2.4	DSSS	11	100
802.11g	2.4	OFDM	54	100
802.11n	2.4/5	OFDM/MIMO	600	100
802.11ac	5	OFDM/MIMO	1.3	50–100
802.11ad	60	OFDM/beamforming	7	10
802.11ax	2.4/5	OFDM, OFDMA	10	100

IEEE 802.11b. The earliest useful and most widely page 804 adopted version of the 802.11 standard is 802.11b. It operates in 11 channels in the 2.4-GHz unlicensed ISM band. This band extends from 2.4 to 2.4835 MHz for a total bandwidth of 83.5 MHz. The center frequencies of each channel are given below.

Channel	Center Frequency, GHz
1	2.412
2	2.417
3	2.422
4	2.427
5	2.432
6	2.437
7	2.442
8	2.447
9	2.452
10	2.457
11	2.462

Note that the channels are spaced 5 MHz apart over the spectrum. However, each channel is 22 MHz wide so that the channels overlap. Any given AP uses one of these channels. The access method is direct sequence spread spectrum (DSSS) so that multiple signals may share the same band. The 802.11b standard specifies a maximum data rate to 11 Mbps. The modulation is *differential quadrature phase-shift keying (DQPSK)*. The overall range depends upon environmental conditions. Indoors the range is typically less than 100 m. at 11 Mbps. 802.11b standard is no longer widely used. However, devices using this version can usually communicate with routers using the latest standards.

Differential quadrature phase-shift keying (DQPSK)

IEEE 802.11a. The 802.11a standard was developed next. It was the first to incorporate OFDM and uses the unlicensed 5-GHz band. There are three authorized segments: 5.15 to 5.25 GHz with 50-mW maximum power, 5.25 to 5.35 GHz with 250-mW maximum power, and 5.725 to 5.825 GHz at a maximum of 1 W of power. Each of these bands is divided into multiple nonoverlapping 20-MHz-wide channels. Each channel is designed to carry an orthogonal frequency-division multiplexing (OFDM) signal made up of 52 subcarriers, 48 for data and the other 4 for error correction

codes. Each of the subcarriers is about 300 kHz wide. The 11a version was the first of the standards to use OFDM.

The 802.11a version supports a wide range of data rates. The fastest is 54 Mbps. 64-QAM is used to achieve 54 Mbps. The standard provides for backoff data rates as the link conditions deteriorate due to increased range, noise, or multipath interference.

The key advantage of the 802.11a standard is that the frequency band is much less used than the busy 2.4-GHz band, which contains microwave ovens, cordless phones, Bluetooth wireless, and a number of other services, all of which can cause interference at one time or another, thereby producing interference that can block communications or at least decrease the range and data rate. With fewer interfering signals in the 5-GHz band, there is less interference and greater reliability.

The downside of this standard is its shorter range. As frequency of operation increases, the given transmission range typically decreases. Indoor operation greatly reduces range because 5-GHz signals are more easily absorbed and reflected than 2.4-GHz signals. With 802.11a, the maximum range is about 50 m at the maximum data rate. This version of the standard is no longer used.

IEEE 802.11g. The 802.11g standard was an attempt to extend the data rate within the popular 2.4-GHz band. Using OFDM, this standard provides for a maximum data rate of 54 Mbps at 100 ft indoors. As with the 802.11a standard, there are lower backoff rates, as described earlier, as the communications path degrades. The 802.11g standard also accommodates the 802.11b standards and so is fully backward-compatible. An 802.11b transceiver can talk to an 802.11g AP but at the lower data rate. An 802.11g transceiver can also talk to an 802.11b AP but also at the lower data rate.

The 802.11b, 11a, and 11g standards are no page 805 longer used. Newer more improved standards took their place. However, there may be older devices around containing equipment using the early standards. The newer equipment and standards are backward-compatible to accommodate them.

IEEE 802.11n (Wi-Fi 4). The 802.11n version was developed to significantly increase the data rate. It also uses both the 2.4-GHz and 5-GHz bands and OFDM. A primary feature of this standard is the use of multiple-input multiple-output (MIMO) antenna systems to improve reliability of the link. APs for 802.11n use two or more transmit antennas and three or more receive antennas. The wireless nodes use a similar arrangement. In each case, multiple transceivers are required for the AP and the node. This arrangement permits a data rate in the 100- to 600-Mbps range at a distance up to 100 m. MIMO systems greatly mitigate multipath problems and help extend the range and reliability of the wireless link.

In all these standards, the carrier sense multiple access with collision avoidance (CSMA/CA) access method is used to minimize conflicts among those wireless nodes seeking access to the AP. Each transceiver listens before it transmits on a channel. If the channel is occupied, the transceiver waits a random period before attempting to transmit again. This process continues until the channel is free for transmission.

802.11n, now known as Wi-Fi 4, was the most widely adopted Wi-Fi standard. It was dominant in WLAN applications and it was commonly available in all smartphones tablets, and laptops. And it was the wireless technology of all hot spots and access points, including the millions of home wireless routers. It is increasingly being replaced with the new and improved versions: Wi-Fi 5 and Wi-Fi 6.

802.11ac (Wi-Fi 5). Now known as Wi-Fi 5, the 802.11ac standard uses the 5-GHz ISM band only, for minimum interference and maximum available bandwidth. Furthermore, it continues the use of MIMO and OFDM. However, some key changes boost the theoretical data rate above 3 Gbps depending on modulation, channel bandwidth, and MIMO configuration.

Wi-Fi 5 features 80- and 160-MHz-wide channels in addition to the usual 40-MHz channel. As the bandwidth increases, so do the number of OFDM subcarriers, to a maximum of 512 at 160-MHz bandwidth. OFDM also adds 256QAM, which further boosts data rate. Finally, it defines a greater number of MIMO versions with a maximum of an 8×8 configuration. A multiuser version of MU-MIMO is also defined. The standard also supports coexistence and compatibility with previous 11a and 11n devices. Transmit beamforming is also an option to extend range and ensure link reliability.

802.11ad. Another version of Wi-Fi is 802.11ad. 11ad uses the 60-GHz ISM band. It is backward-compatible with all previous versions, including 11a/b/g/n/ac, as the media access control (MAC) layers of the protocol are similar. The 11ad version is also known by its former trade name WiGig.

WiGig uses the unlicensed ISM 60-GHz band from 57 to 64 GHz. The technology divides this into four 2.16-GHz-wide bands. The primary modulation scheme is OFDM, which can support a data rate up to 7 Gbps, making it one of the fastest wireless technologies available. The standard also defines a single-carrier mode that uses less power; this is a better fit for some portable handheld devices. The single-carrier mode can deliver a data rate up to 4.6 Gbps. Both speeds permit transmission of uncompressed video. The WiGig specification also provides security in the form of the Advanced Encryption Standard (AES).

Because of the small antenna size at 60 GHz, gain antennas are normally used to boost signal power and range. The maximum typical range is 10 m. WiGig products use on-chip phased array antennas that can provide beamforming. This adaptive beamforming permits beam tracking between transmitter and receiver to ensure that obstacles can be avoided and speed maximized even under changing environmental conditions. The primary disadvantage of 11ad is its short range. Remember that the higher frequencies travel shorter distances, as the wireless physics dictates. This disadvantage is generally overcome by the high-gain beamforming antennas.

The primary application of 11ad is the transport page 806 of video from one device to another over a short distance. One clever feature of the standard is the use of a protocol adaption layer (PAL). This is a software structure that talks to the media access control (MAC) layer and allows simplified wireless implementation of other fast standard interfaces like USB, HDMI, DisplayPort, and PCIe.

802.11ax (Wi-Fi 6). This next-generation version of Wi-Fi is gradually replacing current APs using Wi-Fi 4 and/or Wi-Fi 5 standards. This standard operates in either the 2.4- or 5-GHz bands. It uses the 80- and 160-MHz channels, OFDM with 1024-QAM modulation, and 8×8 MIMO to reach a peak data rate of about 10 Gbps. Using OFDM access (OFDMA) and MU-MIMO, this version can handle many more users. Range varies with the frequency used, modulation level, and other factors, but can be up to 100 m.

The most recent Wi-Fi version is Wi-Fi 6E. This version of Wi-Fi adds the 6 GHz spectrum to the 2.4 and 5 GHz spectrum already used by the W-Fi 6. The FCC designated a 1.2 GHz segment of the 6 GHz spectrum to unlicensed operation. This adds 14 80 MHz channels and 7 160 MHz channels, all non-overlapping. These wide channels allow

amazing data rates to occur. However, the higher frequency does somewhat restrict overall range as do the 5 GHz channels.

802.11ay. This standard was developed to replace the 802.11ad standard. It operates in the 60-GHz band. The standard permits bandwidths four times wider than those of 11ad or 2.16 GHz, up to a maximum of 8.64 GHz. Add to that 256-QAM and 4 × 4 MIMO. The peak data rate can be up to 20–40 Gbps. Range at this elevated frequency is increased to 300 to 500 m. The 11ad standard was never widely adopted, and it is not likely that 11ay will be popular either. But it is a defined upgrade path for 11ad users if they need it.

802.11be (Wi-Fi 7). This standard is still in development but is probably going to be the successor to 802.11ax. Some of the initial features include a 6-GHz band assignment in addition to the 2.4- and 5-GHz assignments in 802.11ax. Bandwidth increase to 320 MHz along with MU-MIMO should provide a data rate beyond 11ax but not as fast as 11y.

Wi-Fi continues to be one of the most widely used wireless technologies in history. Many of the new devices in the works are related to consumer media products, health/fitness/medical, automotive, smart meters, and automation products.

Table 22-1 summarizes the most popular versions of Wi-Fi.

Table 22.1

Summary of the Most Current Active Wi-Fi Standards

IEEE std. WFA	Band	Technology	Modulation	Channel BW	MIMO (antennas)	Range (meters)	Max. Speed
802.11n Wi-Fi 4	2.4 & 5 GHz	OFDM	Up to 64QAM	20, 40 MHz	Up to 4 × 4	100	600 Mbps
802.11ac Wi-Fi 5	5 GHz	OFDM	Up to 256QAM	40, 80, 160 MHz	Up to 8 × 8	100	3 Gbps
802.11ad	60 GHz	OFDM	Up to 64QAM	2.16 GHz	Beamforming	10	7 Gbps
802.11ax Wi-Fi 6	2.4 & 5 GHz	OFDM OFDMA	Up to 1024QAM	40, 80, 160 MHz	Up to 8 × 8 MU-MIMO	100	9.6 Gbps to 12 Gbps
802.11ay	60 GHz	OFDM	256QAM	2.16 to 8.64 GHz	4 × 4	300–500	20 Gbps

Related Wi-Fi Standards

The IEEE 802.11 Working Groups keep a running agenda of development. Those groups work on not only the next major standard versions but also many additions and improvements to the basic standards. Some of the most significant past work does the following:

- **802.11e** Provides Quality of Service (QoS) features that allow VoIP and other critical services to be carried over Wi-Fi.
- **802.11i** Provides full security for Wi-Fi in the form of WEP, WPA, and WPA2.
- **802.11s** Brings automatic ad hoc mesh networking to Wi-Fi.
- **802.11u** Provides a protocol between access points and clients that permits inter-networking with support for authentication, authorization, and accounting with network selection, encryption policy enforcement, and resource management. Facilitates automatic connections and network

handoffs. Allows Wi-Fi to be used for cellular handoff in small cells.

- Brings Wi-Fi to the 3650–3700 MHz band.

802.11

y

Other 802.11 standards have been developed for other uses. An example is 802.11ah. This is a modification to existing standards that would allow operation in sub-1-GHz bands to extend the range and implement applications such as smart meters. Another interesting new standard in development is 11af for the TV white space opportunity to be covered later in this chapter.

The Wi-Fi Alliance

While the IEEE standards attempt to establish the technical specifications of the transceivers and their interfaces, different implementations of the standards by different semiconductor manufacturers have created interoperability problems. What this means is that even though each manufacturer has met the standard, some minor variation prevents the transceiver from communicating with the transceiver of another manufacturer. Such interoperability problems greatly limited the adoption during the early stages of 802.11b WLANs. It was so bad that manufacturers banded together to form the Wi-Fi Alliance. Wi-Fi is short for *wireless fidelity*, and it has been adopted as the trademark of 802.11 products. The Wi-Fi Alliance set up testing and certification standards that all vendors had to meet to ensure full interoperability of all products. Any Wi-Fi-certified AP or wireless node will talk to any other Wi-Fi-certified products. The full interoperability brought about by the testing and certification process has made this wireless standard popular and very widely used.

What makes Wi-Fi so good is the support, promotion, and development of the Wi-Fi Alliance (WFA), a trade association of companies developing and using the standard. Its key function is testing and certifying all chips and products to ensure full compatibility and interoperability. The WFA also develops its own standards and some excellent enhancements to the standards. Some examples are Wi-Fi Direct, HotSpot 2.0 and Passpoint, and Miracast. Typically these are software enhancements that can be included in standard chipsets and products.

Wi-Fi Direct is a modification of the basic standard to permit Wi-Fi-enabled devices to connect with one another without going through a traditional hot spot or router. This lets smartphones, laptops and tablets, cameras, printers, and other Wi-Fi-equipped devices to automatically develop one-to-one communications. Many chips and devices are now enabled with Wi-Fi Direct.

HotSpot 2.0 is the WFA's answer to linking Wi-Fi APs and eventually cellular networks. Passpoint is the certifying standard that provides an easier way to link up with a Wi-Fi network. It simplifies the finding and enabling of access to hot spots and access points. The location and linkup of hot spots are smoother and automatic, and fully protected with WPA2 security.

The enabler of HotSpot 2.0 is the 802.11u standard. It allows devices and networks to negotiate and connect automatically. The user does not have to do anything. HotSpot 2.0 and Passpoint select the best nearby AP and connect without user interaction. They permit Wi-Fi roaming and pave the way to automatic handoff for implementing cellular data offload to Wi-Fi.

Miracast is the WFA's solution for displaying video page 808 between devices wirelessly without going through an access point. It lets Miracast-enabled devices transfer video directly, such as from a laptop to a big-screen TV, or

from a smartphone to a TV, or from a laptop to a larger video monitor in a docking station. Other possible uses are sending a laptop screen to a projector or allowing a tablet to display TV from a cable set-top box. Miracast uses Wi-Fi Direct to make the connection.

Wi-Fi is also being widely adopted for Internet of Things (IoT) connectivity. More details are provided in Sec. 22-7.

Wireless Security. The 802.11 standard also includes provision for encryption to protect the privacy of wireless users. Because radio signals can literally be picked up by anyone with an appropriate receiver, those concerned about privacy and security should use the encryption feature built into the system. The basic security protocol is called *Wired Equivalent Privacy (WEP)* and uses the RC4 encryption standard and authentication. WEP may be turned off or on by the user. It does provide a basic level of security; however, WEP has been cracked by hackers and is not totally secure from the most high-tech data thieves. Two stronger encryption standards called *Wi-Fi Protected Access (WPA)* and WPA2 are also available in several forms to further boost the encryption process. Further improved security was added by the WFA in 2018. Called WPA3, it significantly boosts the security of Wi-Fi devices. Some notable features are the addition of the 256-bit Galois/Counter Mode Protocol (GCMP), a 384-bit Hashed Message Authentication (HMAC), and a 256-bit Broadcast/Multicast Integrity Protocol. Other additions are Simultaneous Authentication of Equals protocols and individual data encryption options. It is the strongest security package available in any wireless product.

Equivalent privacy (WEP)

Wi-Fi protected access (WPA)

The IEEE also has a security standard called 802.11i that provides the ultimate in protection. It removes all doubt

about the safety of data transmission for even the toughest applications. Another standard, 802.11x, provides a secure method of authentication for wireless transactions.

22-2 Bluetooth

Bluetooth is a wireless standard developed by the cell phone company Ericsson for use as a cable replacement. One objective was to provide hands-free cell phone operation by eliminating the cable connecting a cell phone to a headset. Today, this is one of the main applications of Bluetooth, but it also has many other applications. Various versions and applications of Bluetooth are described in this section.

Bluetooth

Bluetooth's original specification was called Bluetooth Classic. The first version is referred to as Basic Rate (BR). This version is a digital radio standard that uses frequency-hopping spread spectrum (FHSS) in the unlicensed 2.4-GHz ISM band. It hops over 79 frequencies spaced 1 MHz apart from 2.402 to 2.480 GHz. The hop rate is 1600 hops per second. The dwell time on each frequency, therefore, is $1/1600 = 625 \mu\text{s}$. During this time, digital data is transmitted. The total data rate is 1 Mbps, but some of that is overhead (headers, error detection and correction, etc.). The actual data rate is 723.2 kbps simplex or 433.9 kbps duplex. The data, which may be voice or any other digitized information, is put into packets and transmitted sequentially in as many as five time slots. The serial data signal is Gaussian-filtered, and then FSK is used for modulation. The frequency shift between binary 0 and 1 is ± 160 kHz.

Three levels of transmission power have been page 809 defined, depending upon the application. For short

distances up to 10 m, class 3 power at 0 dBm (1 mW) is used. For longer distances or more robust operation in an environment with obstacles and noise, the higher-power class 2 can be used with 4 dBm or 2.5 mW. Maximum Bluetooth range is about 100 m and is achieved with class 1 power of 20 dBm or 100 mW.

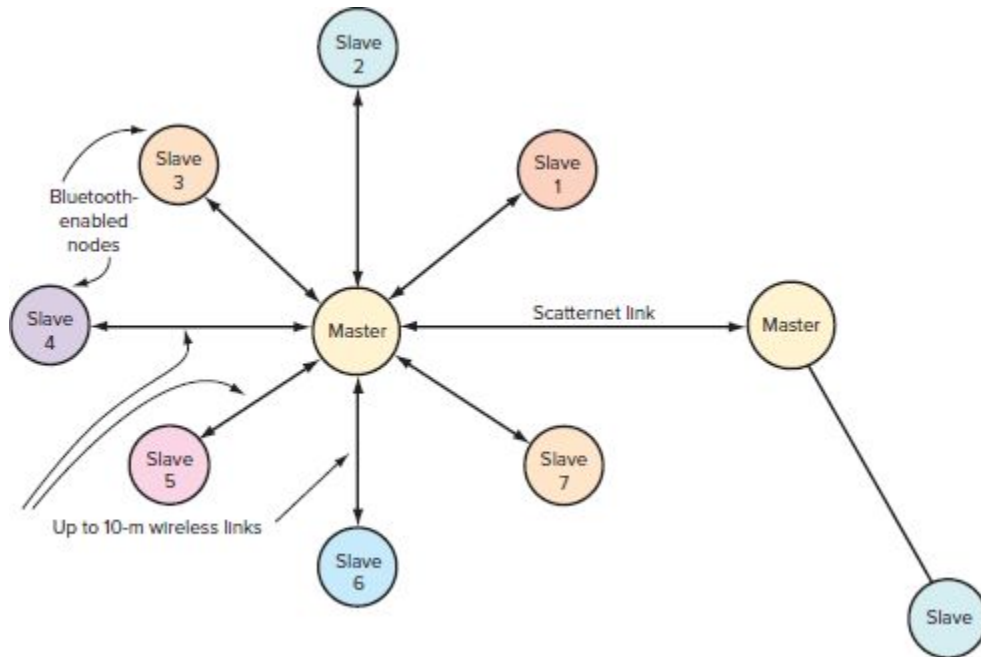
Another version of Bluetooth is called Enhanced Data Rate (EDR). It has all the features described earlier but increases the overall data rate to 3 Mbps. The 3-Mbps rate includes all the headers and other overhead. The raw data rate is three times the 723 kbps rate mentioned earlier for a net rate of more than 2.1 Mbps. The new protocol still transmits at 1 Mbps using Gaussian frequency-shift keying (GFSK) for accessing and recognizing inputs to establish a link and for the protocol headers. However, it uses a different modulation method to achieve the higher data rate in the data payload.

PANS AND PICONETS

A *personal-area network (PAN)* is a very small wireless network that is created informally or on an ad hoc basis. It typically involves only two or three nodes, but some applications permit many nodes to be connected in a small area.

Bluetooth is set up so that the wireless transceiver constantly sends out a search signal and then listens for other nearby, similarly equipped Bluetooth devices. If another device comes into range, the two Bluetooth devices automatically interconnect and exchange data. These devices form what is called a *piconet*, the linking of one Bluetooth device that serves as a master controller to up to seven other Bluetooth slave devices. Once the PAN has been established, the nodes can exchange information with one another. Bluetooth devices can also link to other piconets to establish larger *scatternets*. See Fig. 22-2.

Figure 22-2 Bluetooth piconet with scatternet link. Up to seven devices can be actively connected.



A gross data rate of 2.1 Mbps is achieved by using a form of quadrature phase-shift keying (QPSK) called $n/4$ -differential QPSK. It uses 90° spaced phase shifts of $+135^\circ$, $+45^\circ$, -45° , and -135° . It transmits 2 bits per symbol with a symbol rate of 1 Mbps.

To reach the 3-Mbps rate, an eight-phase differential phase-shift keying (8DPSK) modulation scheme is used. It transmits 3 bits per symbol. Otherwise all other characteristics of the Bluetooth standard are the same.

The most recent version of Bluetooth is Bluetooth Low Energy (BLE), a low-power variation of the original Bluetooth standard.

Bluetooth BLE uses a different set of technical and radio techniques to ensure very low power consumption. The data protocol was changed to make transmissions low-duty cycle or a very short transmission burst between long periods. The low-duty cycle, in addition to extremely low-power sleep modes, allows a BLE product to operate for many years on a coin cell. The BLE specification provides a group of APIs to permit fast and easy applications development.

Bluetooth Low Energy still operates in the same ISM (industrial-scientific-medical) license-free 2.4- to 2.483-GHz frequency band as standard Bluetooth. However, it uses a different FHSS scheme. Standard Bluetooth hops at a rate of 1600 hops per second over 79 channels 1-MHz wide. BLE FHSS uses 40 channels 2-MHz wide to ensure greater reliability over longer distances. Standard Bluetooth offers gross data rates of 1, 2, or 3 Mbps. BLE's maximum rate is 1 Mbps with a net throughput of 260 Kbps. GFSK modulation is used.

Other features of BLE are a power output of 0 page 810 dBm (1 mW) and a typical maximum range of 50 m. Security is 128-bit AES. Link reliability is improved with the use of an adaptive frequency-hopping technique that avoids interference, a 24-bit cyclic redundancy check (CRC), and a 32-bit message integrity check. The most common network configurations are P2P or star. Latency is only 6 ms. A key point is that BLE is not compatible with standard Bluetooth.

One of the most important new features of BLE is a mesh network capability. Mesh greatly expands the potential applications in the home or industry. That also makes BLE more competitive in the IoT movement.

Apple, Google, Android, and others provide software support for the Bluetooth standards. That expedites connectivity with devices such as smartphones, tablets, and laptops.

The main applications for Bluetooth are cordless headsets for cell phones and hands-free voice systems in cars and trucks. Portable Bluetooth speakers are extremely popular. It is the main connection between smartphones and the accessory smart watches. Bluetooth is also used in other wearables such as those for medical or fitness monitoring. Other uses include wireless human interface devices (HIDs) such as keyboards, mice, and game controllers. Any wireless

connection over a short distance that is within the data rate capability of Bluetooth is a potential application.

An interesting Bluetooth application is Apple's iBeacon wireless location service. It uses BLE to implement beacons to send out a message that defines their location to nearby BLE smartphones. This new technology is bringing forth a whole new batch of uses.

The beacon is a BLE tag, sticker, or self-contained battery-powered gadget that is placed in a location that will allow it to reach nearby Bluetooth devices like iPhones or Android phones. The iBeacon tag has a range of around 40 to 50 ft in an indoor environment but could reach up to 100 ft or so in an outdoor setting with a clear line-of-sight path. The beacon pulses out a signal that is then received and acknowledged. The beacon then sends out a desired message to the phone.

The most mentioned application is ads for retail stores and restaurants. In a mall or other shopping area, you would automatically receive sales notices or menu selections once you are in range of the store and if you have the appropriate iBeacon app. Any geo-fencing application can be applied to iBeacon. Geo-fencing uses the BLE range to define a virtual boundary. Once you are within that "fence," you can take part in whatever applications are running.

Many phones have BLE installed. All iPhones from 4S to current models are iBeacon-ready. So are many Android models, such as Samsung Galaxy. It is estimated that most smartphones will have BLE in the coming years. All you need are the apps to use iBeacon.

The Bluetooth standard is maintained by the Bluetooth Special Interest Group (SIG) and supported by more than 2000 manufacturers. Bluetooth was also originally standardized by the IEEE as 802.15.1, but the standard is maintained by the Bluetooth SIG.

22-3 ZigBee and Mesh Wireless Networks

ZigBee is the commercial name for another PAN network technology based on the IEEE 802.15.4 wireless standard. Like Bluetooth, it is a short-range technology with networking capability. It was designed primarily for commercial, industrial, and home-monitoring and control applications. The 802.15.4 standard defines the so-called air interface, which is the physical layer (PHY or layer 1 of the OSI standard) and the media access control (MAC or layer 2) of the system. The ZigBee Alliance, an organization of chip, software, and equipment vendors of ZigBee products, specifies additional higher levels of layers including networking and security.

ZigBee is designed to operate in the license-free (ISM) spectrum available in the world. This is defined by the FCC Part 15 in the United States. There are three basic bands and versions.

page 811

Frequency Band	Number of Channels	Modulation	Max. Data Rate, Kbps
868 MHz (Europe)	1	DSSS/BPSK	20
915 MHz	1	DSSS/BPSK	40
2.4 GHz	16	DSSS/O-QPSK	250

GOOD TO KNOW

ISM Bands

This is a collection of unlicensed frequencies used for a variety of industrial-scientific-medical wireless applications. These bands or frequencies are defined in Part 15 of the CFR 47 rules and regulations. The most commonly used are 315, 433, 902–928 MHz and 2.4 GHz.

Even though the data rates are low, this is not usually an issue, because most applications are simply transmitting sensor data or making simple on/off operations. Transmission is by packets with a maximum size of 128 bytes, 104 of which is data. Both 16- and 64-bit addressing modes are available, although the maximum is considered to be up to 65,536 total nodes. The access method as with Wi-Fi is CSMA/CA. The most widely used version is the one operating in the 2.4-GHz band.

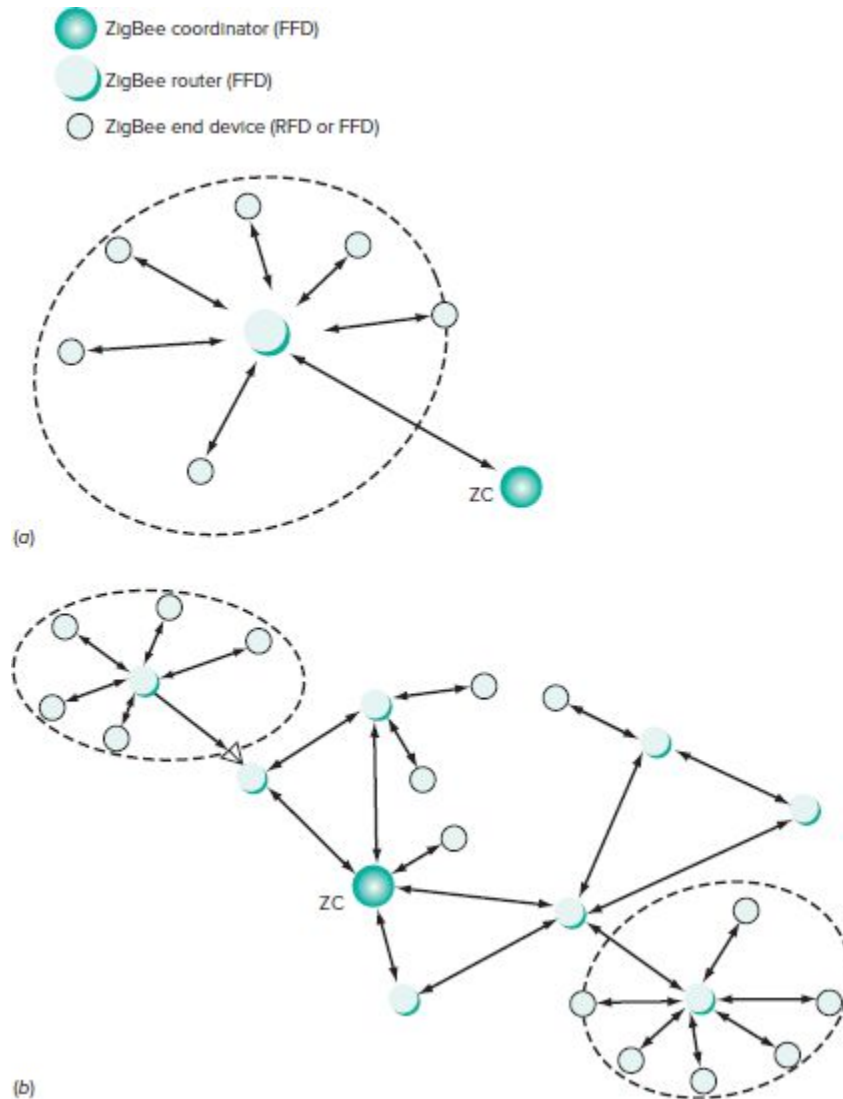
As for range, it varies considerably with the application and the environment. Using 2.4 GHz, the typical maximum indoor range is about 30 m. That can extend to 400 m outdoors with a clear line of sight. Maximum range is obtained at 868 or 900 MHz and can be as much as 1000 m with a line-of-sight path.

ZigBee's virtue is its versatile networking capability. The standard supports three topologies: star, mesh, and cluster tree. The most commonly used are the star and mesh, illustrated in Fig. 22-3. These network topologies are made up of three types of ZigBee nodes: a ZigBee coordinator (ZC), a ZigBee router (ZR), and ZigBee end device (ZED). The ZC initiates a network formation. There is only one ZC per network. The ZR serves as a monitor or control device that observes a sensor or initiates off/on operations on some end device. It also serves as a router as it can receive data from other nodes and retransmit it to other nodes. The ZED is simply an end monitor or control device that only receives data or transmits it. It does not repeat or route. The ZC and ZR nodes are called *full-function devices (FFDs)*, and the ZED is known as a *reduced-function device (RFD)*.

Full-function devices (FFDs)

Reduced-function device (RFD)

Figure 22-3 Most common ZigBee network topologies. (a) Star. (b) Mesh.



The star configuration in Fig. 22-3(a) is the most page 812 common, where a centrally located ZR accepts data from or distributes control data to other ZRs or ZEDs. The central ZR then communicates back to the ZC, which serves as the master controller for the system.

In the mesh topology, most of the nodes are ZRs, which can serve as monitor and control points but also can repeat or route data to and from other nodes. The value of the mesh topology is that it can greatly extend the range of the network. If a node lacks the power or position to reach the desired node, it can transmit its data through adjacent nodes that pass along the data until the desired location is

reached. While the maximum range between nodes may be only 30 m or less, the range is multiplied by passing data from node to node over a much longer range and wider area.

An additional feature of the mesh topology is network reliability or robustness. If one node is disabled, data can still be routed through other nodes over alternate paths. With redundant paths back to the ZC, a ZigBee mesh ensures that data reaches its destination regardless of unfavorable conditions. Many critical applications require this level of reliability.

As for applications, ZigBee can address a wide range of wireless needs. It was designed primarily for monitoring and control. Monitoring refers to looking at a wide range of physical conditions, especially temperature, humidity, pressure, the presence of light, speed, and position information. Sensors generate an analog signal representing the physical variable that is amplified and otherwise conditioned and then converted to digital data that is transmitted back to the central monitoring location where decisions are made. This characteristic makes ZigBee a superior short-range telemetry system in what is being called wireless sensor networks.

Control refers to the sending of command signals to initiate some action. Typically commands are used to turn things off and on. Some examples are lights, motors, solenoids, relays, and other devices that perform some type of function.

Some popular applications include monitoring and controlling lights; heating, ventilating, and air conditioning (HVAC) systems in large buildings; and industrial monitoring and control in factories, chemical plants, and manufacturing operations. Automatic electric and gas meter reading is a major application. Other applications include medical uses such as wireless patient monitoring, automotive sensor systems, military battlefield monitoring, and a whole host of

consumer applications such as home monitoring and control, remote control of other objects, and security. Because ZigBee is so low-cost and battery-operated, it can be used in a wide range of situations, most of which probably have not been discovered yet.

ZigBee has become a major player in the IoT movement. Its low cost, low power consumption, multiple vendors and broad applications support, and software have made it popular and easy to work with. It supports IoT applications in the home/consumer market as well as the industrial and automation markets.

A positive addition to the ZigBee capabilities is the Thread technology. Thread is a low-power mesh-networking protocol that was developed for any radio based on the IEEE 802.15.4 wireless standard. Its key feature is that it uses 6LoWPAN, a standardized method of header compression and encapsulation that lets IPv6 packets be transmitted by 802.15.4 radios. Thread supplies the upper layers of the OSI protocol stack that makes applications development faster and easier. ZigBee also has adopted the interoperable applications development software and language called Dotdot, which eases the programming at the applications layer of the stack.

Bluetooth now offers a mesh extension and enhancement making it more competitive with ZigBee.

22-4 Radio-Frequency Identification and Near-Field Communications

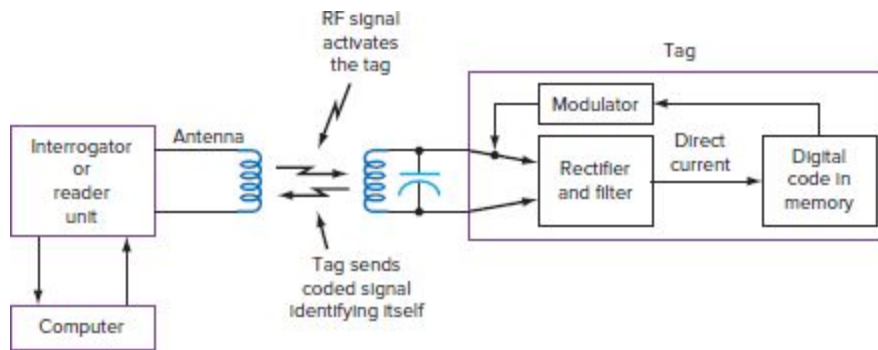
Another growing wireless technique is *radio-frequency identification (RFID)*. You can think of it as the wireless version of bar codes. This technology uses thin, inexpensive

tags or labels containing passive radio circuits that can be queried by a remote wireless interrogation unit. The tags are attached to any item that is to be monitored, tracked, accessed, located, or otherwise identified. RFID tags are widely used in inventory control, container and parcel shipping, capital equipment and other asset management, baggage handling, and manufacturing and production line tracking. They are also widely used for automatic toll collection and parking access for vehicles. Other applications for RFID tags are personnel security checking and access, animal tracking, and theft prevention. As the technology has developed, prices have dropped and many new applications have been discovered.

Radio-frequency identification (RFID)

The basic concept of RFID is illustrated in Fig. 22-4. The tag is a very thin labellike device into which is embedded a simple passive single-chip radio transceiver and antenna. The chip also contains a memory that stores a digital ID code unique to the tagged item. For the item to be identified, it must pass by the interrogation or reader unit, or the reader unit must physically go to a location near the item. Longer-range systems cover a complete building or area. The reader unit sends out a radio signal that may travel from a few inches up to no more than 100 ft or so. The radio signal is strong enough to activate the tag. The tag rectifies and filters the RF signal into direct current that operates the transceiver. This activates a low-power transmitter that sends a signal back to the interrogator unit along with its embedded ID code. The reader then checks its attached computer, where it notes the presence of the item and may perform other processing tasks associated with the application.

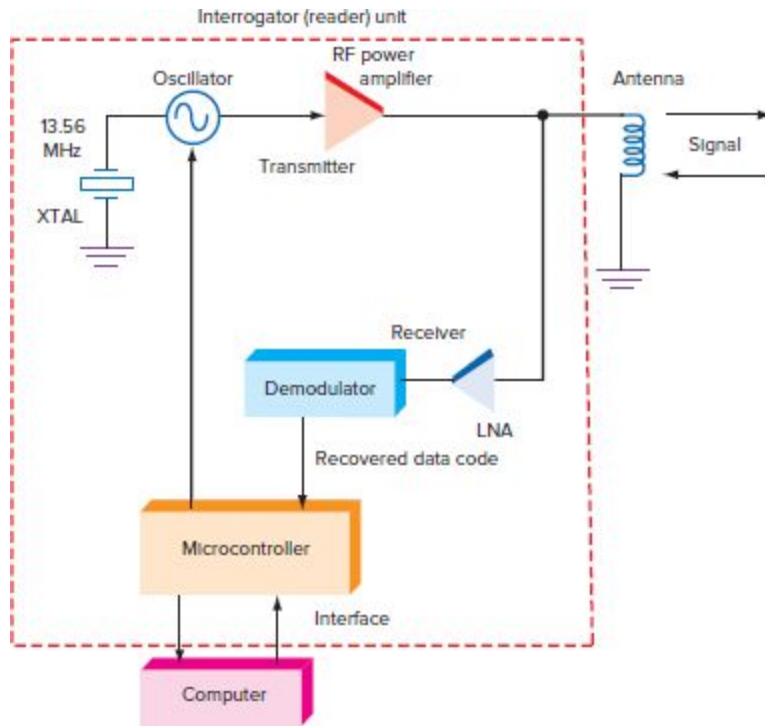
Figure 22-4 Basic concept and components of an RFID system.



RFID systems operate over the full radio spectrum. Commercial systems have been built to operate from 50 kHz to 2.4 GHz. The most popular ranges are 125 kHz, 13.56 MHz, 902 to 928 MHz, and 2.45 GHz. The 125-kHz and 13.56-MHz units operate only over short distances up to several feet, whereas the 902- to 928-MHz and 2.45-GHz units can operate up to about 100 ft. Most of the tags are passive; i.e., they have no power source of their own. They rely upon the interrogator unit to supply a large enough RF signal to rectify for dc power. However, some active tags containing small flat batteries are available, and they can operate over a much larger range.

Fig. 22-5 shows a block diagram of a typical 13.56-MHz RFID interrogator unit. A 13.56-MHz crystal oscillator generates the basic RF signal, which is amplified and sent to the antenna. A microcontroller gates the oscillator on for a short time, and then the receiver waits for a response from the tag. The antenna picks up the weak tag signal. The receiver amplifies and demodulates it and then recovers the serial data code. The microcontroller communicates with the attached computer to do whatever processing is needed in the ID process.

Figure 22-5 Block diagram of RFID interrogator (reader).



A typical RFID tag configuration is shown in Fig. 22-6. They consist of a flat spiral inductor and a capacitor that make up a 13.56-MHz tuned circuit that serves as the antenna. The transceiver chip is contained in the black dot on the tag. A block diagram of the circuitry is given in Fig. 22-7. A typical tag is the model MCRF 355/360, a product of Microchip Technology Inc. The resonant circuit picks up the interrogator signal as if it were the induced signal in a transformer secondary rather than an actual received electromagnetic radio wave. When the voltage reaches about $4 V_{PP}$, the power circuits are activated. The RF is rectified in a voltage multiplier circuit, filtered, and regulated into the direct current that operates the remaining circuits.

Figure 22-6 RFID tag configurations.



Uli nusko/Alamy Stock Photo

The unique ID code is stored in an electrically page 815 erasable programmable read-only memory (EEPROM) in the tag chip. In this device, the code is 154 bits long. The customer's unique ID number is encoded with 13 bytes. A checksum provides for error checking at the reader. The code is stored in the chip by the manufacturer with a contact transmitter that activates the chip and writes the code into memory. The tag chip contains the EEPROM write circuitry that stores the code.

The ID code in EEPROM is read out serially in NRZ data format, which is then converted to a Manchester or biphase signal that is used to modulate the carrier sent back to the reader.

The modulation used is a form of amplitude modulation called *backscatter modulation*. The circuitry was shown in Fig. 22-7, and the process is shown in Fig. 22-8. The coil in the external tuned circuit/antenna is tapped. A MOSFET switching transistor is connected to that tap inside the tag. The data to be transmitted is applied to this transistor.

When the transistor is off, the carrier is passed to the tuned circuit and sent to the reader, which reads the signal as a binary 1. When the transistor is turned on, a portion of the coil is shorted, making the external tuned circuit resonant at a frequency of 3 to 6 MHz higher than its 13.56-MHz design frequency. This signal is out of the frequency range of the reader, so it receives a much lower-level signal that is interpreted as a binary 0. During the time the transistor is on, the signal is said to be *cloaking*. With the transistor off, the signal is unclocked. The cloaking and uncloaking process produces amplitude shift keying (ASK) at the reader receiver. See Fig. 22-8.

Backscatter modulation

Figure 22-7 Block diagram of RFID tag.

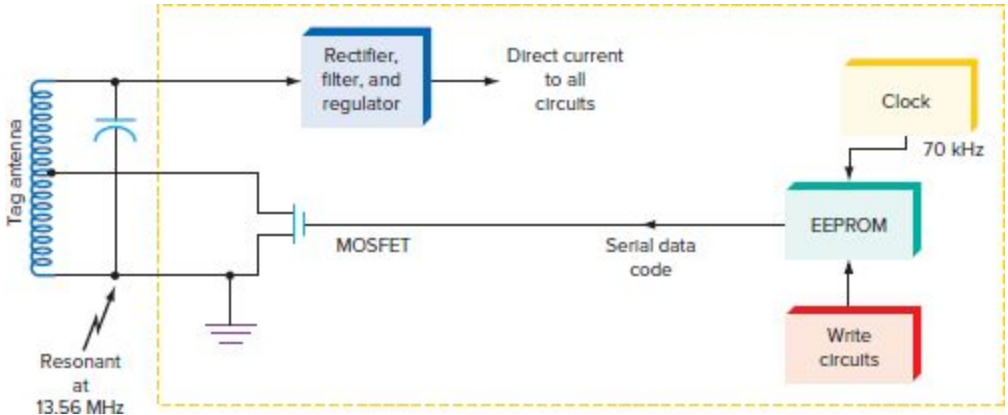
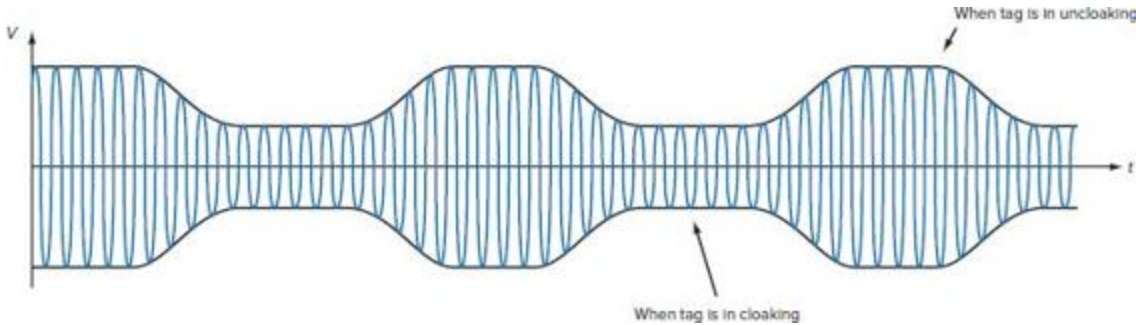


Figure 22-8 RF signal at the reader showing ASK by cloaking. (Courtesy of Microchip Technology)



In some systems, the tag tuned circuit serves as page 816 the secondary winding of a transformer where the reader antenna is the primary winding. The binary pulses to be transmitted modify the impedance of the tag antenna, and this, in turn, causes an amplitude shift in the reader. As the tag's data is read out, the process loads and unloads the secondary winding tag antenna, causing a reflected impedance back into the reader antenna. A typical carrier may have a 100-V peak-to-peak amplitude that will shift by several hundred millivolts as data is being transmitted by the tag. A peak detector recovers the signal.

The RFID standards are developed and managed by EPCGlobal, the organization that also standardizes the Electronic Product Code (EPC) to be used on all tagged items. One standard operates in the 900-MHz region with different frequencies being used in different countries depending upon the local regulations. The 868-MHz frequency is common in Europe while 915 MHz is common in the United States. The standard uses ASK backscatter and supports a 96-bit EPC plus a 32-bit error correction code and a kill command that deactivates a tag after it is read.

A key benefit of the standard is that it is designed to read multiple tags faster. Tag read rates as high as 1500 tags per second are possible, although in most situations the read rate will be no more than 500 to 1000 tags per second, which is still much faster than the 100 tag per second maximum imposed by the older standards. Some tags are also more robust and can operate reliably in an environment with multiple readers transmitting and receiving simultaneously. The RFID field is still new but growing as tag prices drop and as greater security measures are developed.

Near-Field Communications

One of the newest forms of wireless is a version of RFID called *near-field communications (NFC)*. It is an ultrashort-range wireless whose range is rarely more than a few inches. It is a technology used in smart cards and cell phones to pay for purchases or gain admittance to some facilities.

Near field means the near field of a radio wave. As discussed earlier, a radio wave is made up of both electric and magnetic fields. At a distance of about 10 wavelengths or more at the operating frequency, the radio wave behaves just as Maxwell's equations describe it. The two fields exchange energy and reinforce each other as it passes from transmitting antenna to receiving antenna. This is the so-called far field. At a distance of less than 10 wavelengths from the transmitting antenna is the near field, where the individual electric and magnetic fields exist. The electric field is not useful, but the magnetic field is used for short-range communications. The way to imagine NFC is as the magnetic field between the windings of a transformer. The coefficient of coupling is very low because of the usual large distance between the primary winding (the transmitting antenna) and the secondary winding (the receiving antenna). The primary limitation of the near field is that the magnetic field strength drops off at a rate of about $1/d^6$, where d is the distance. With only low power the range is very limited. The far field only drops off at a $1/d^2$ rate.

NFC is standardized internationally. The technology is similar to that used in RFID. It is similar to and compatible with the technology used in smart cards, those credit cards with an internal chip that allow you to pay for something by just passing the card over a point-of-sale (POS) terminal reader.

The standard specifies an operating frequency of 13.56 MHz, the international no-license band and one of the ISM band Part 15/18 frequencies in the United States. The

transfer data rate is 106, 212, or 424 kbps. The speed depends upon the range, which is up to maximum of 20 cm or about 8 in. In most cases, the actual range will be only a few inches or no more than 10 cm.

The standard also specifies an active and a passive mode of operation. In the active mode, both parties have powered transceivers. This means that each node has a battery or some other power supply. Either unit may initiate a transmission, which is half duplex with a “listen before transmit” protocol. One of the devices is the initiator, and the other device becomes the target.

In the passive mode, the target is a passive page 817 device such as an RFID tag. The tag gets its operational power from the field transmitted by the initiator. It then transmits data back to the initiator by modulating the magnetic field, using backscatter AM.

There are several intended applications for this ultrashort-range technology. The most frequent use is an automatic payment tool such as a smart card. But instead of using a smart card, the NFC transceiver is built into your cell phone. To buy something, you just tap your cell phone on the reader or pass it within an inch or so, and your credit card account is automatically billed. You could use it to buy theater tickets or even to pay for a plane, train, or hotel charge. Some modern smartphones have NFC built in, but payment with this technology is still not widespread, at the time this is written.

The second most useful application is automatic gated entry. Passing your cell phone near the reader allows you entry into a building, parking lot, or other controlled area. NFC chips are also expected to be incorporated into the next-generation passports.

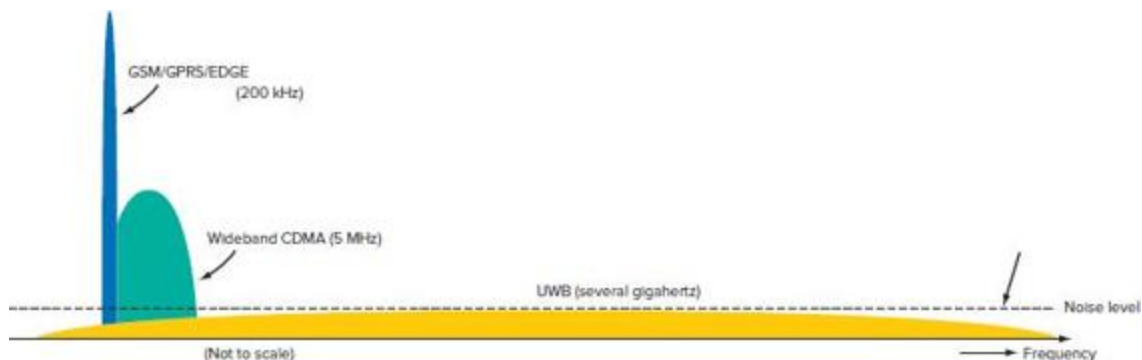
22-5 Ultrawideband Wireless

Perhaps the newest and most unusual form of wireless is known as *ultrawideband (UWB) wireless*. There are two basic forms of UWB, the original version based on very narrow impulses and one based on OFDM. Both spread the signal over a very wide range of spectrum but at a very low signal level, so it does not interfere with other signals operating over those frequencies. Both methods are used, and types of UWB are covered in this section.

Ultrawideband (UWB) wireless

The original UWB discovered in the 1960s is known as impulse, baseband, or carrierless wireless. This form of UWB transmits data in the form of very short pulses, typically less than 1 ns. From the Fourier theory discussed in Chap. 12, you know that a fundamental frequency sine wave and many harmonics can represent any pulse train. A UWB signal using very short pulses with a low duty cycle occupies a very wide bandwidth. A UWB signal is defined as having a bandwidth at least 25 percent of the center frequency, or 1.5 GHz minimum. Another definition specifies UWB as occupying more than 500 MHz of spectrum. Fig. 22-9 shows a UWB signal spectrum compared to a standard 5-MHz wideband CDMA (spread spectrum) cell phone channel.

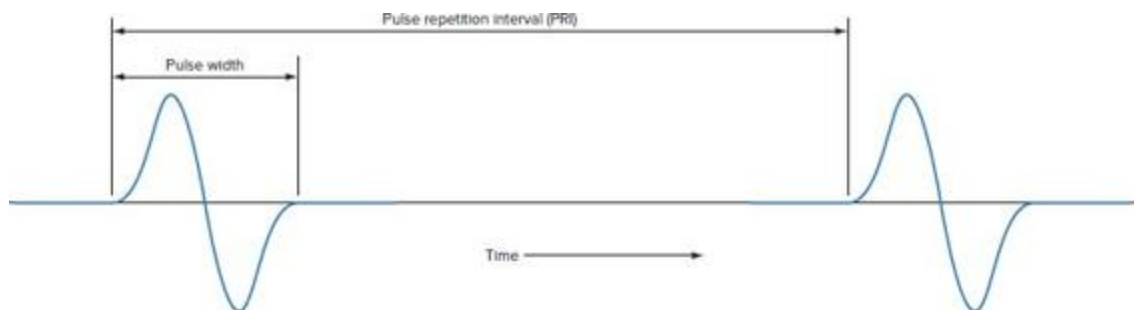
Figure 22-9 UWB signal bandwidth compared to conventional and spread spectrum signal bandwidth.



The FCC permits UWB in the 3.1- to 10.6-GHz range. The only other services in this region are satellites, radars, broadband wireless, and wireless networks. UWB equipment spreads its signals over much of that range, but the power level is so low that there is essentially no interference to other services. UWB is like spread spectrum in that many users can share a single wide bandwidth simultaneously.

A UWB signal starts as a very low duty cycle (<1 [page 818](#) percent) rectangular pulse stream at some pulse repetition interval (PRI). The pulses are then Gaussian-filtered and differentiated to produce the final pulses to be transmitted. The pulses are applied directly to the antenna (see Fig. 22-10). Known as *monocycles*, these pulses are not just one cycle of a sine wave. They are shaped by a Gaussian filter. The pulse width sets the center frequency of the signal and the half-power bandwidth. The center frequency is approximately the reciprocal of the pulse width. For a pulse width of 500 ps, the center frequency is $1/500 \times 10^{-12} = 2 \text{ GHz}$.

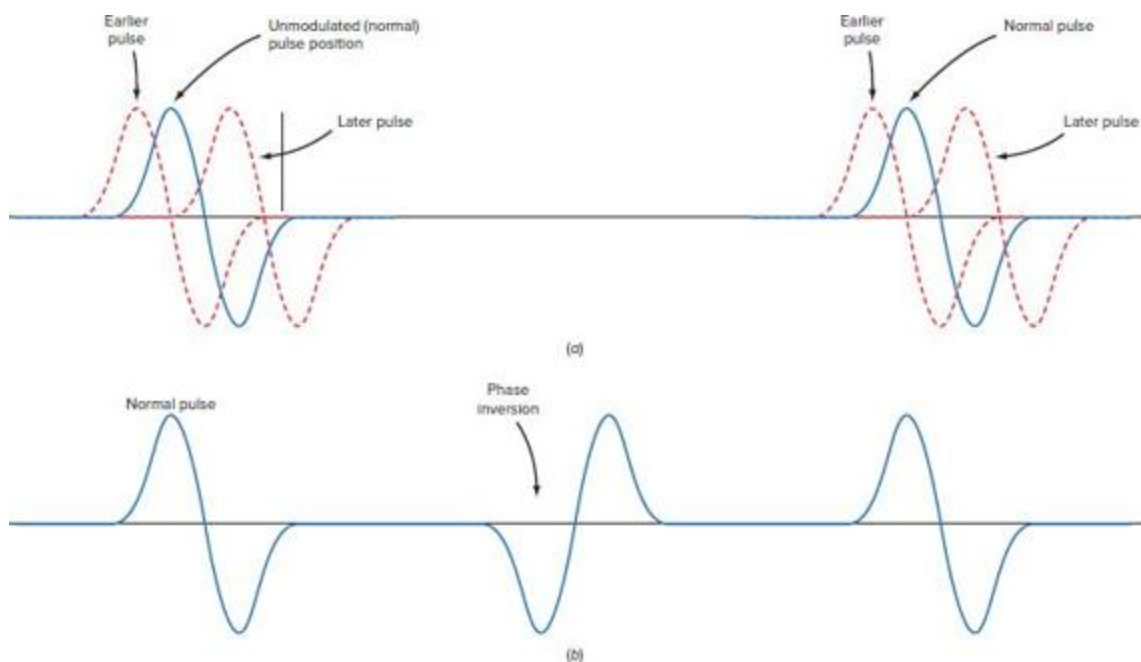
Figure 22-10 Basic UWB waveform of repetitive monocycles.



The serial data to be transmitted is then encoded with a unique pseudorandom code like that used in CDMA. This method effectively “channelizes” the system so that multiple users can share the spectrum but still be individually identified. The coded signal then modulates the

pulse train by either pulse position modulation (PPM) or binary phase-shift keying (BPSK). The PPM method is illustrated in Fig. 22-11. In PPM, the position of the pulse may occur sooner or later in time than a pulse with no modulation. A binary 0 may be represented by an earlier pulse, and a binary 1 as a later pulse, or vice versa. The time shift is small compared to the pulse width. Because of the very small time differences, the timing clock generating the pulses must be very precise and stable, with minimal jitter, to ensure recovery.

Figure 22-11 Types of UWB modulation. (a) Pulse position modulation (PPM). (b) Binary phase-shift keying (BPSK).

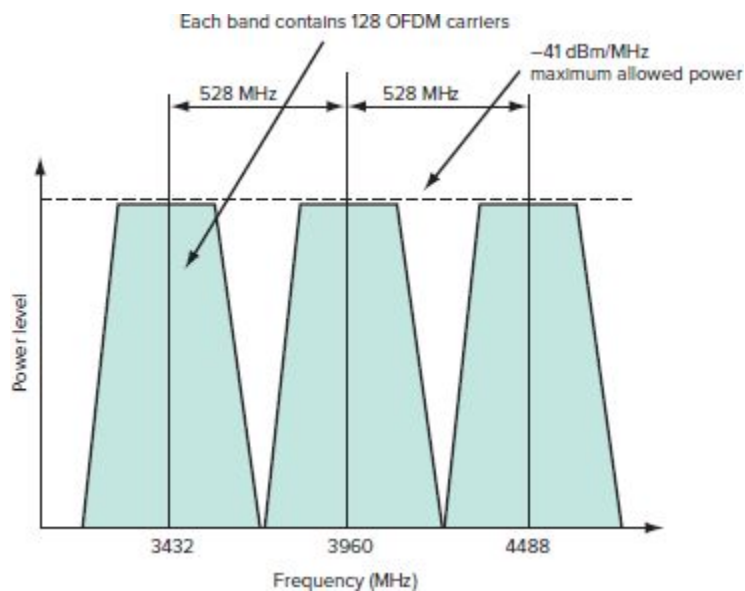


Multiband OFDM UWB

Another form of UWB is called multiband OFDM or MB-OFDM UWB. The term *multiband* is derived from the fact that many OFDM carriers make up the signal. This form of UWB divides the lower end of the assigned spectrum into three 528-MHz-wide channels, as shown in Fig. 22-12. These bands extend

from 3.168 to 4.952 GHz. Note the center frequencies of the three bands. Each band is designed to hold an OFDM data signal. There are 128 carriers per band, and each carrier has a bandwidth of 4.125 MHz. Of the bands 100 actually carry the data while 12 are used as pilot carriers to aid in establishing communications with nearby nodes. The remaining carriers serve as guard bands on either side to prevent interference between the three portions of spectrum. The signal to be transmitted is divided up among the carriers, and each is modulated by BPSK or QPSK depending on the data speed selected. In Fig. 22-12 you will see a dashed line that designates the maximum allowed operating power specified by the FCC. It is a very low -41 dBm/MHz, which generally prevents any interference to other services.

Figure 22-12 Operating spectrum for multiband OFDM UWB.



The system is designed to permit a wide range of data rates from about 53 to 480 Mbps. The most often mentioned speed is 110 Mbps at a range up to 10 m. A speed of up to 480 Mbps is possible but only at a range of 2 to 3 m.

Implementation of an OFDM UWB transceiver is just like that of any OFDM device. DSP chips are used to create the transmit carriers with the inverse fast Fourier transform (IFFT), and a DSP chip in the receiver uses the FFT for recovery of the data. MB-OFDM UWB radios are usually a single-chip IC containing all functions.

There is no formal UWB standard.

page 819

Advantages and Disadvantages of UWB

page 820

UWB offers many benefits to radar, imaging, and communication applications:

- 1.** Superior resolution in radar and imaging.
- 2.** Immunity to multipath propagation effects.
- 3.** License-free operation.
- 4.** No interference to other signals using the same frequency band. UWB signals appear as random noise to conventional radios.
- 5.** Power-efficient, extremely low-power operation. Peak power levels are in the milliwatt region, and average power is in microwatts.
- 6.** Simple circuitry, most of which can be integrated in standard CMOS.
- 7.** Potentially low cost.

The primary disadvantage, which is also an advantage, is low power. It severely limits the range of operation. The range can be extended in military radar with higher power levels, but the power level in commercial and consumer applications is severely restricted by the FCC. Typical ranges are from a few inches up to no more than about 100 ft.

Primary Application of UWB

The primary application of impulse UWB to date has been in military radar. The very short pulse widths of electromagnetic energy permit very fine resolution of target distance and detail. Short pulses also give UWB the ability to penetrate surfaces to see what is behind them. For that reason, UWB is an excellent electronic imaging technique. It is especially effective in seeing through leaves, trees, and foliage. UWB radars can even see underground to detect mines, pipes, and so on. UWB radar is used by fire, emergency, and police personnel to see through walls and doors. Medical versions permit body imaging for diagnosis.

UWB was never widely adopted as an interface to connect PC peripherals or consumer electronic equipment. Other standards like Wi-Fi got faster and easier to use. A more recent attempt is to use the impulse version of UWB for positioning and location.

22-6 Optional Wireless Technologies

Of the wireless technologies described in this chapter, Bluetooth, Wi-Fi, and ZigBee are the most common. These will continue to dominate, but newer technologies are being developed and new applications found. Several other technologies that deserve mention here are the special Wi-Fi standards 802.11af and 802.11ah, Z-Wave, LoRa, Weightless, and Sigfox. Later we will summarize all this with a comparison.

A Broad Selection of Wireless Technologies for Every Application

Over the years, companies have developed their own special wireless technologies. Some were targeted at specific needs. Others were deliberately broad and flexible for many use cases. During this time, Wi-Fi, Bluetooth, and ZigBee continued to be improved owing to feedback from real-world applications as well as significant semiconductor advances. Probably more than 80 percent of all wireless applications are implemented with one of these three. Nonetheless many new wireless technologies have survived and even found success in a variety of niches. Keep in mind that all of these wireless technologies are designed for low power consumption. Most will end up in mobile, portable, or remote situations with battery power that must endure.

Z-Wave. Z-Wave was designed for consumer home page 821 applications. It is a proprietary technology now owned by Silicon Labs. The single-chip transceiver operates on a frequency of 908.42 MHz in the United States. Modulation is frequency-shift keying (FSK) and data speeds of 9600 bps, 40 kbps, or up to 100 kbps are possible. These devices can be connected in a mesh network with up to 22 devices. Its range is several hundred feet. The main competitors of Z-Wave are Bluetooth and ZigBee in home applications.

LoRa. LoRa means “long range.” This is another proprietary technology that operates below 1 GHz. Typical operating frequency is 915 MHz, although others such as 433 MHz are used. A special chirp spread spectrum-modulating technique and protocol gives it an unusually long reach. Its transmitting range is up to 15 km. Data rates are adaptive from 1 bps up to 50 kbps, but most applications do not require high speed.

Sigfox. Sigfox is a technology developed for the IoTs that serve applications with super-low data rates (600 bps

maximum) and short messages. Modulation is GFSK or differential phase-shift keying (DPSK). Sigfox operates in the 902- to 928-MHz band so its range is good. Many if not most systems are dedicated networks that feature a base station that serves nearby nodes that collect sensor and other data.

Weightless. Weightless is an open wireless standard and technology for IoT applications. The first standard was called Weightless-W and was created to use the U.S. TV white spaces. White spaces are the unused 6-GHz-wide TV channels from 54 to 698 MHz. These frequencies are excellent for long-range and non-line-of-sight (NLOS) wireless. The use of these bands requires cognitive radio technology. This is necessary to avoid interference to local TV signals. A Weightless base station contacts a database to see what channels are available locally before a transmission takes place. Modulation options are differential BPSK, QPSK, and 16-QAM. Data rates range from 1 kbps to 16 Mbps. Duplexing is time-division (TDD). The typical maximum range is about 5 to 10 km.

Other versions of the standard include Weightless-N, which is a simpler version that uses lower data rates. The Weightless-P standard is a stronger version than either GMSK or offset-QPSK modulation. It supports data rates up to 100 kbps. The N and P versions are intended to operate in the <1 GHz ISM bands. The standard includes encryption and authentication for security.

LTE-M. This standard is an offshoot of the widely used LTE cellular technology. It addresses applications that are best served by communicating through the local cellular network. LTE-M is a formal version of the 3GPP LTE standard. It is designed for very low power consumption. It uses the smaller 1.4-MHz bandwidth of a standard LTE signal. But the modulation is OFDM as with all LTE. Data rate is limited to about 1 Mbps.

NB-IoT. This is another cellular technology. It is simpler, has lower data rates, and consumes low power. It is for lower-cost applications and uses DSSS. NB-IoT uses a bandwidth of 180 kHz, and the data rate can be 26 to 1.25 kbps.

802.11ah. 802.11ah is a Wi-Fi derivative designed for the IoT business. Also known as HaLow, this standard was optimized for service in the 902- to 928-MHz ISM band that is excellent for long-range data links. The standard specifies either 1-MHz or 2-MHz bandwidths. Wider bands of 4, 8, and 16 MHz can be used for higher data rates. Modulation is OFDM with BPSK through 256-QAM. Low-power consumption is a key feature. This standard is not widely used.

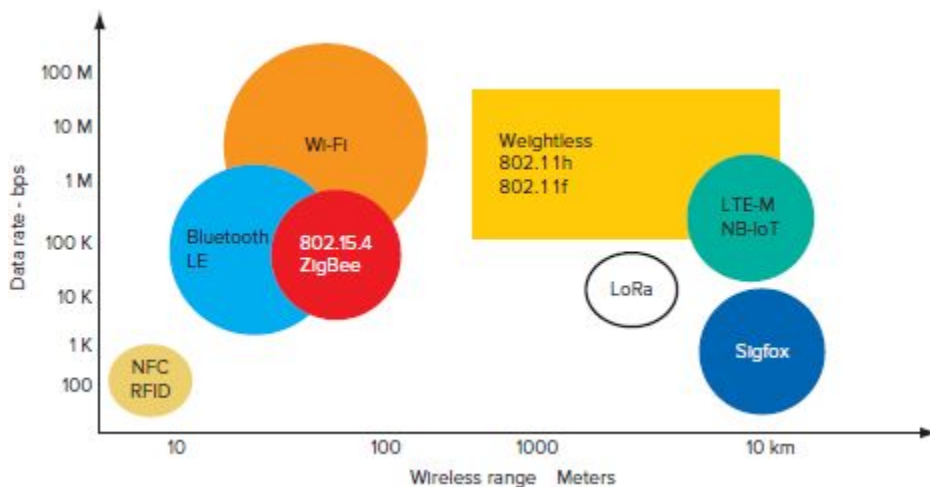
802.11af. This Wi-Fi-derived standard was designed to take advantage of the white space spectrum. It can operate in one of the 6-MHz bands in the 470- to 710-MHz range. Modulation is BPSK. Cognitive radio techniques are used to ensure a clear channel to operate on without interfering with others. This standard has not been adopted.

All of these radio technologies are available as page 822 single-chip transceivers. Most of them are also available as complete operational modules ready to deploy. Just connect a battery and an antenna. Modules are popular simply because no testing or certification costs are involved. Designing your own wireless product will require you to test the device according to FCC rules and regulations and/or meet strict specifications and guidelines of any certifying organization such as the Wi-Fi Alliance. That test and certification process costs tens of thousands of dollars and takes many months. If the product can accept a full module that has been precertified, a great deal of time and money can be saved.

Comparing Wireless Technologies

The two main features that are used to select a wireless technology for a given application are range and data rate. Low power consumption is given. A graphical illustration is shown in Fig. 22-13. Only the most widely used standards are shown. The circles show the typical or stated characteristics. Wireless is highly variable as far as range and data rate are concerned. So much depends on factors such as the environment that defines a line-of-sight (LOS) or NLOS path, the weather, noise level, antenna gains, receiver sensitivities, and transmit power.

Figure 22-13 A graphical comparison of popular short-range wireless technologies showing data rate versus range.



TV White Space

“White space” is the term used to refer to the unused TV channels that are present around the United States. The idea is to use the vacant channels for short-range data transmission. The number and location of these unused channels vary widely from location to location, so cognitive radio techniques are used to identify vacant channels that

are least likely to interfere with the TV channels. A national database of TV station locations and open channels lets the cognitive radio identify and hop to an appropriate clear channel.

TVWS uses the TV channels in the 470- to 710-MHz range. These are UHF TV channels 20–31. The channel bandwidth is 6 MHz. The basic modulation scheme is BPSK, QPSK 16QAM, or 64QAM. The transmit power level is 20 dBm, and the antenna gain is 0 dBi. These low frequencies offer exceptional range, far greater than other Wi-Fi versions in the 2.4- and 5-GHz range. Ranges to several miles are possible. Data rates vary depending on modulation type, range, and other factors. Current commercial products offer data rates to 20 Mbps.

The main applications for TVWS have yet to be established, but potential uses include Wi-Fi backhaul, telemetry and remote monitoring and control, and wireless broadband Internet access for rural areas.

Current equipment for white spaces initially uses [page 823](#) proprietary wireless standards. However, the 802.11af Wi-Fi standard targets the TV white spaces opportunity. The 802.11af standard defines the PHY and MAC layers for white space operation. You will hear of 802.11af referred to as Super Wi-Fi or White-Fi.

22-7 Internet of Things

The Internet of things is a technological movement that promotes the communications between many “things” to other “things” via the Internet. A thing can be anything you say it is: It can be a sensor to measure temperature, a light bulb or fixture, a motor, a drone, a video camera, a machine tool, and even a car. Almost anything qualifies. IoT applications generally involve the collection of data derived

from the measurement of physical quantities as well as the remote control of devices from a distance. A major part of IoT is the use of short-range wireless devices to facilitate the monitoring and control functions.

IoT has become a huge electronic movement. Market analysts predict that billions of devices will be connected in the coming years. One prediction was that 50 billion things would be connected by 2020. Other predictions say 75 billion devices by 2025. It is difficult to know how many there are exactly, but the number of connections is massive.

The IoT movement is driven by two forces. First is the availability of the technology that encourages engineers, companies, and others to conceive of things to do with the technology. Just because you can do something doesn't mean that you should. Yet, if it makes money for the electronics industry it is a good thing to do. Second, people and companies are discovering the many benefits that derive from implementing an IoT application. IoT provides a mix of convenience, cost savings, efficiency, and productivity; businesses like all of that. Those factors have taken a simple concept that has been around for decades and expanded and enhanced it into a major financial and technical movement.

IoT is a major communications subject and this section attempts to explain it.

Machine-to-Machine

IoT is derived from an earlier movement known as machine-to-machine (M2M). M2M's goal was to connect machines to one another and to facilitate automated communications between them. M2M-enabled devices can exchange information, make decisions, and implement operations without the help of a human. M2M forms the basis for IoT. The Internet of Things is a broader vision for connecting

machines to one another or connecting machines to humans. Some M2M examples are telemetry from remote objects or facilities and systems like supervisory control and data acquisition (SCADA), a widely used system to monitor and control major facilities. The possibilities are endless.

The Organization of IoT

IoT is a multifaceted technology. It has already been serving many different sectors. Some of the major IoT application fields include:

- Home and consumer
- Building automation
- Smart cities
- Smart energy
- Health care
- Retail
- Automotive
- Industrial

There are probably others, but these are the major categories.

Here are some examples from each of the main page 824 categories.

Home and consumer. Video doorbells, baby monitors, smart watches, voice command units such as Amazon's Alexa, etc.

Building automation. Environmental control, lighting, security, employee monitoring.

Smart city. Traffic lights, street lights, parking, garage access.

Smart energy. Monitoring of the electrical grid, substations, generation facilities, power lines.
Health care. Patient monitoring, fitness monitoring.
Retail. Inventory control, supply chain management.
Automotive. Safety improvements via ADAS, DSRC/C-V2X, self-driving cars.
Industrial. Factory automation, process improvement, predictive maintenance, asset tracking and facilities land capital equipment management.

Currently, it is estimated that about 50 percent of all applications are related to industry. This has led to the term *Industrial Internet of Things (IIoT)*. The worldwide growth of this business has been IIoT. That was influenced by the aggressive adoption of IoT for industrial uses as proposed by the German effort called Industry 4.0, the goal of building the smart factory. Some of the major benefits of IoT in the factories are to:

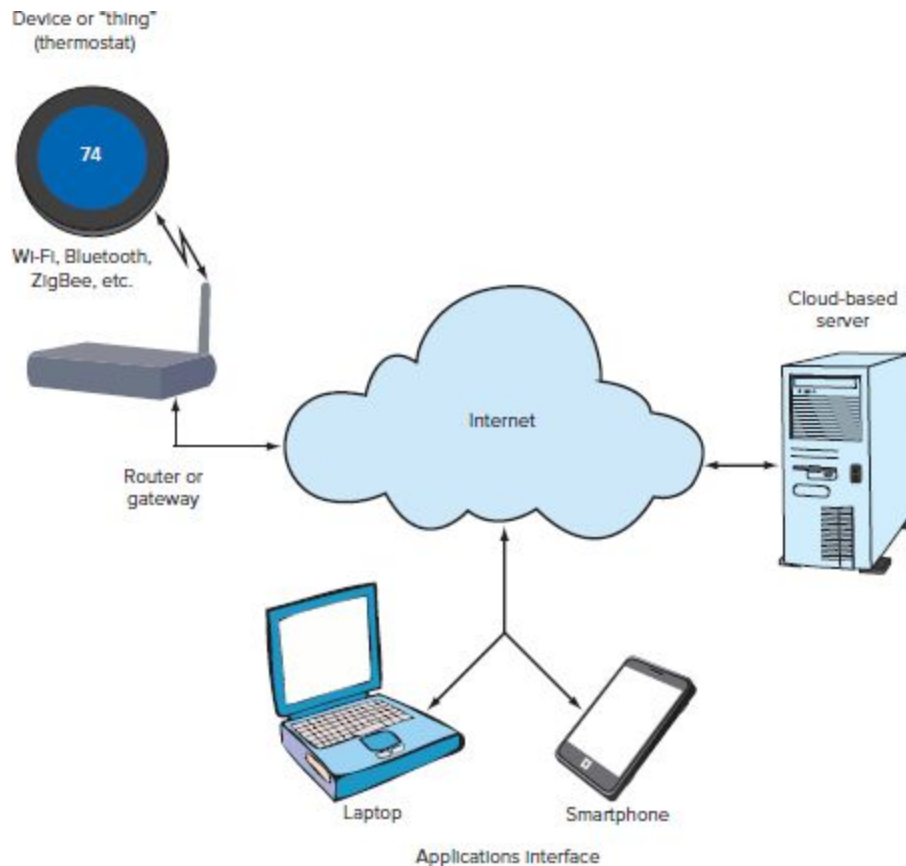
- Improve productivity.
- Reduce downtime.
- Reduce facilities and maintenance costs.
- Predict machine failure.
- Update and modernize processes.
- Collect specific data to help improve company cost, profit, and ROI.
- Automate to reduce the need for some personnel.
- Improved decision-making.

The Internet of Things defines a broad scope of applications. It is oriented to consumer and industrial applications. IoT assumes that each “thing” has an IP address. It can be almost anything. IoT has been a good concept for years, but now it is being widely deployed. Like

all new technologies it has started with proprietary products and systems but seems destined to develop where standards are available to move the concept forward to implementation.

Fig. 22-14 shows a simplified diagram of an IoT application. The device to be monitored or controlled contains an embedded wireless transceiver that talks to a gateway or router that has an Internet connection. For example, a home thermostat would communicate by Wi-Fi with the home Wi-Fi router, which connects to the Internet via a cable TV or DSL link. That link connects with a remote cloud-based server that supplies the applications intelligence. It collects the data, analyzes it, stores it, makes decisions, and can initiate actions. This server connects by way of the Internet to the applications interface, where another machine like a PC analyzes and displays status and actions. A popular applications interface is a smartphone; these are quickly becoming our all-purpose remote controls.

Figure 22-14 Any Internet of things application includes the “thing,” a wireless gateway to the Internet, the application server, and the application interface.



Many IoT applications are in the home. Any appliance, large or small, is a target. Some washers, dryers, refrigerators, and dishwashers already incorporate Wi-Fi to automatically report usage and problems to the manufacturer. Small appliances, like a crockpot or coffee maker, can also be controlled. They can be turned off and on, and their temperature can be controlled with an app from an iPhone. LED lighting control is another use. Some manufacturers make a generic device that lets do-it-yourselfers (DIYs) build solutions by adding Internet connectivity to any device controlled with a DC switch, such as robots, motors, sprinklers, and so on, via an iPhone app.

Another very popular IoT device is the page 825 thermostat. A smart thermostat with IoT can replace most existing thermostats for improved monitoring and control of heating and air conditioning for energy

savings. It is linked by Wi-Fi to the home router, and a smartphone app lets you view settings, change settings, and view times of change.

GOOD TO KNOW

One of the main problems with IoT is that it is very efficient in collecting data from sensors and other sources. In large systems, hundreds or thousands of sensors may be involved. The result is that a massive amount of data is collected. It may be stored or transmitted to some other processing facility. This brings up a condition that has been known for decades. In his 1982 book *Megatrends*, John Naisbitt said, "We are drowning in information but starved for knowledge." So far, IIoT and IoT have proven themselves as great data collectors. The real value of the IoT system comes from analyzing, interpreting, and applying the data to make better decisions and improve systems.

Note the theme here. A smartphone or a tablet is used as the monitor and control device. These are ideal platforms for Internet connections.

The number of possible home applications is huge. Besides appliances, IoT will include things like garage doors, door locks, security systems including remote video monitoring, and lighting. Whole-home automation is still a niche, but IoT should make it more popular.

One other burgeoning area of IoT is health and fitness. Patient monitoring has become popular. In medical patients, specific body functions are tracked with sensors like electrocardiogram patches, sleep sensors, blood glucose and blood pressure monitors, and thermometers, and these must be constantly monitored to ensure wellness. Patients can be quickly and easily provided with sensors and wireless connections that gather data for transmission later or even in real time.

Wearables are another IoT category. This is a new classification consisting of gadgets like smart watches and sensors embedded in clothing such as vests and coats. These devices usually connect via Bluetooth to a

smartphone or other platform for further processing and connectivity.

Fitness is a related segment and definitely a hot topic. A variety of products transmit exercise data, such as heart rate or pedometer steps, from Bluetooth sensors to a smartphone for collection, storage, and analysis. The general acceptance of wearables has yet to be determined, but it will no doubt be part of the IoT mix.

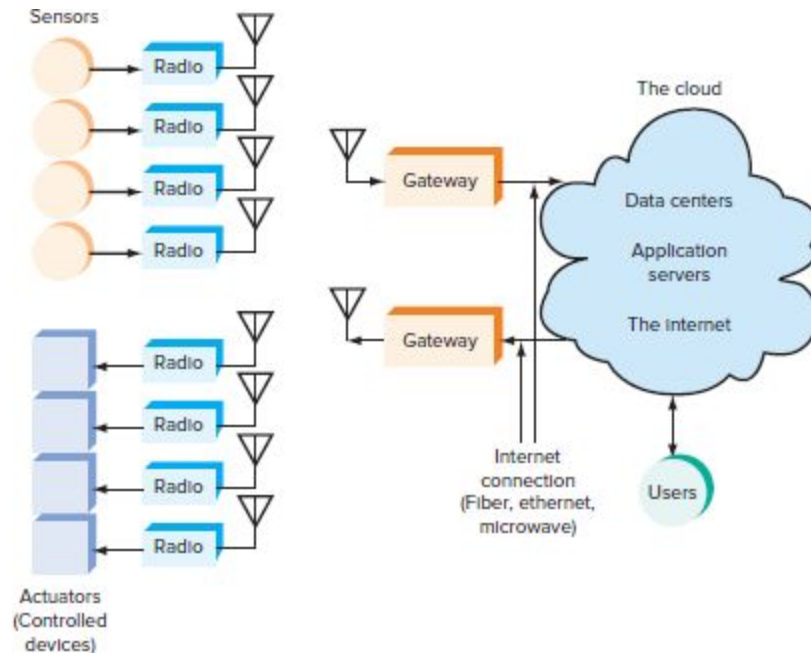
As for wireless platforms, any can be used. Wi-Fi page 826 is the most common, but cellular, ZigBee, and Bluetooth are also widely used.

An IIoT Example

An industrial application can further illustrate the operation of IIoT. It shows the major parts of the system and how it operates.

Refer to Fig. 22-15. On the left are the inputs and outputs. A wide range of sensors capture readings from the environment being monitored. The outputs are a group of actuators such as relays, lights, motors, pumps, valves, or other devices that can be turned on, off, or to some in-between condition. All of these devices are connected to interfaces and signal-conditioning circuits that link to the radios that transmit the collected data and control signals. As you can see, the radios or wireless modules make all of the monitor and control functions possible regardless of the type or size of the facility, factory, or office building.

Figure 22-15 An IIoT system.



The radios transmit their data to nearby gateways. Gateways are devices that receive inputs and develop outputs. They often provide protocol conversion from one wireless technology to another. The gateways then connect to the Internet or the cloud as it is increasingly being referred to. The gateways provide security and can pick up and transmit signals that go to or come from the Internet. The gateways also provide a connection to the cloud by way of a modem, fiber-optic cable, or some kind of wireless interface. The data is passed on to the cloud and then eventually stored and processed later. Or in some cases, the data is interpreted on the fly and changes are made quickly. Otherwise, the data is sent via the cloud to a remote location where an applications server stores the data and then begins an analysis. From there, in an ideal case, the data is translated into useable knowledge that eventually provides a reasoned and fact-based decision. Users access the information via the cloud.

CHAPTER REVIEW

Online Activity

22-1 Wireless Alliances

Objective: Become familiar with the organizations that support specific wireless standards.

Procedure:

1. Search on the terms *Wi-Fi Alliance*, *Bluetooth SIG*, *ZigBee Alliance*, or related terms and locate the support sites for these technologies.
2. Answer the questions below.

Questions:

1. How many members does each of the organizations have?
2. For Bluetooth and ZigBee, list the different application profiles or specifications for each.
3. What frequency range is used by all three wireless technologies?
4. How can radios of each technology work in an environment with all three signals present?
5. Is a license required to use any of the three technologies, or can anyone use them free?
6. What is the main responsibility of each organization?

Questions

1. What is the primary benefit of a wireless LAN?

- 2.** Name the IEEE standard for WLANs.
- 3.** What is the commercial nickname for this standard?
- 4.** List the six main versions of the IEEE WLAN standard, and state the operating frequency range and maximum data rate.
- 5.** What is an access point? A hot spot?
- 6.** What is the name of the unit that forms the base unit of a home WLAN?
- 7.** Name the three Wi-Fi frequency bands.
- 8.** Name two major factors that permit higher data rates in the 11n, 11ac, and 11ad standards.
- 9.** Which Wi-Fi standard offers the fastest data rate? What is its main application?
- 10.** What is Wi-Fi offload? What IEEE and Wi-Fi Alliance standards make it possible?
- 11.** Define Wi-Fi Direct.
- 12.** Describe how interoperability is achieved with IEEE standard WLAN equipment.
- 13.** What is a PAN?
- 14.** Name the two most popular PAN standards.
- 15.** Describe the access mode and modulation type used in the original version of Bluetooth.
- 16.** Describe the access mode and modulation type used in the newest version of Bluetooth.
- 17.** How is Bluetooth Low Energy different from standard Bluetooth?
- 18.** What is the approximate maximum communications range of class 1 and class 3 Bluetooth power categories?
- 19.** What is a piconet? A scatternet?
- 20.** List five popular applications for Bluetooth. Name the most popular application.
- 21.** What is the IEEE standard on which ZigBee is based?
- 22.** State the main application for ZigBee.
- 23.** List the operating frequency ranges of ZigBee and the maximum data rates for each.

- 24.** Which version of ZigBee is the most popular?
- 25.** What are the access method and modulation used in ZigBee?
- 26.** Name the two primary network topologies used with ZigBee.
- 27.** Explain how a mesh network increases the transmission range and reliability.
- 28.** List five popular applications for ZigBee.
- 29.** Name two other wireless standards other than ZigBee that have mesh network capability.
- 30.** What does the term *ISM* mean?
- 31.** What is the most popular operating frequency for WLANs?
- 32.** Wireless range increases with operating frequency. True or false?
- 33.** What does the term *Wi-Fi 6* mean?
- 34.** Name one of the most important services provided by the wireless alliances.
- 35.** Name the two IEEE standards proposed for IoT.
- 36.** Name two 60-GHz wireless standards.
- 37.** Do short-range wireless technologies use MIMO?
- 38.** Name the two wireless standards that use the local cellular service.
- 39.** Why are complete wireless modules better to work with than the transceiver IC and your own design?
- 40.** What is RFID?
- 41.** RFID is the electronic equivalent of what popular coding and ID scheme?
- 42.** Where does the circuitry in an RFID tag get the dc voltage to operate its circuits?
- 43.** Name the three primary operating frequencies for RFID tags.
- 44.** What is the approximate maximum operating range of a 13.56-MHz tag?

- 45.** Name the type of modulation used in most passive tags.
- 46.** List five potential applications of RFID.
- 47.** What is the most recent version of RFID standards?
State the
 - a.** Operating frequency range
 - b.** Advantages and benefits
- 48.** Where is the Electronic Product Code stored in a tag?
- 49.** What is NFC?
- 50.** State the operating frequency and data rates of the NFC standard.
- 51.** What are the main two applications for NFC?
- 52.** Describe the basic concept of UWB. Is a carrier used?
- 53.** What is the name of the type of pulse transmitted by UWB?
- 54.** State the primary operating frequency range of UWB.
- 55.** State the two types of modulation used with UWB.
- 56.** List the major advantages of UWB over other wireless methods.
- 57.** What is the primary disadvantage of UWB?
- 58.** Why is UWB no longer widely used?
- 59.** Explain the access mode, modulation, and frequency bands for the newest form of UWB.
- 60.** What is the maximum data rate of this newest form of UWB?
- 61.** Name two popular applications of the newest form of UWB.
- 62.** Explain the concept of white space radio.
- 63.** What is the frequency range of white space radio?
- 64.** Explain how a white space radio finds an unused channel.
- 65.** List three wireless technologies or standards used for white space.
- 66.** What technical feature makes TVWS legal and useful?
- 67.** What sector of IoT may be the largest?
- 68.** List five major benefits of IIoT.

- 69.** Is there any one wireless standard that is more widely used than the others? If so, what?
- 70.** Name the two competing radio technologies for vehicle safety.
- 71.** Define IoT.
- 72.** Where are the most promising IoT applications implemented? Name five possible applications.
- 73.** What devices are commonly used to monitor and control IoT applications?
- 74.** What wireless technologies are used in IoT applications?

Problems

- 1.** Refer to Fig. 22-15.
 - a.** What low-speed wireless technology gives the greatest range?
 - b.** What technology gives the maximum speed over the greatest range?
- 2.** The pulse width of a UWB monocycle is 60 ps. What is the approximate center frequency? ◆

◆ *Answers to Selected Problems follow Chap. 23.*

Critical Thinking

- 1.** Name three wireless technologies or applications not covered in this chapter.
- 2.** Think up three new wireless applications that would be useful and potentially practical.
- 3.** In selecting a LAN or PAN, what three critical factors should be considered for each application?
- 4.** What is the primary reason the range of an 802.11ad radio is so limited? How is that disadvantage overcome?

Sections 22-1 and 22-2 are mostly derived from the original article “Bluetooth and Wi-Fi Rule the Airwaves” by Louis E. Frenzel published by *Electronic Design* magazine (Penton Media Inc.) in June and July 2013. www.electronicdesign.com

Section 22-6 is partially derived from the original article “The Connected World Awaits” by Louis E. Frenzel published by *Electronic Design* magazine (Penton Media Inc.) in April 2014. www.electronicdesign.com

Communication Tests and Measurements

This book was written primarily to educate those of you seeking to become specialists in communication electronics. If you are employed in communication electronics, your work will involve some form of testing and measurement. The work may be design, evaluation, installation, operation, servicing, repair, and maintenance or testing to specifications or standards.

The purpose of this chapter is to introduce you to the wide range of special testing equipment and measurement procedures used in communication electronics. The chapter concludes with a special section on troubleshooting techniques and electromagnetic interference (EMI) reduction.

Because of the wide range of communication equipment available and the many differences from manufacturer to manufacturer, it is difficult to be specific. Only general test and measurement procedures are given. Just keep in mind that when you are performing real tests and measurements, you must familiarize yourself with not only the test equipment used but also the specific transmitter, receiver, or other communication device being tested. Manuals for both the test instruments and the communication

equipment, as well as any standards references, should be available for reference.

Objectives

After completing this chapter, you will be able to:

- List 10 common test instruments used in testing communication equipment and describe the basic operation of each.
- Explain the operation of a vector signal generator, vector signal analyzer, and vector network analyzer.
- Name common communication equipment tests carried out on transmitters, receivers, and antennas, including frequency measurements, power measurements, SWR measurements, sensitivity, and spectrum analyses. page 830
- Identify the main change and recommendation for testing mmWave 5G wireless equipment.
- Define S-parameters, their application, and the instrument used to measure them.
- Describe the basic troubleshooting procedures used for locating problems in transmitters and receivers.
- Define EMI, list its sources, and describe the measures to control it.

23-1 Communication Test Equipment

This section gives a broad overview of the many different types of test instruments available for use with communication equipment. It is assumed that you already

know basic test and measurement techniques used with conventional low-frequency test equipment, such as multimeters, signal generators, and oscilloscopes. In your communication work, you will continue to use standard oscilloscopes and multimeters for measuring voltages, currents, and resistance. Coverage of these basic test instruments will not be repeated here. We will, however, draw upon your knowledge of the principles of those instruments as they apply to the test equipment discussed in this section.

Voltage Measurements

The most common measurement obtained for most electronic equipment is voltage. This is particularly true for dc and low-frequency ac applications. In radio-frequency (RF) applications, voltage measurements may be important under some conditions, but power measurements are far more common at higher frequencies, particularly microwave. In testing and troubleshooting communication equipment, you will still use a dc voltmeter to check power supplies and other dc conditions. There are also occasions when measurement of RF, that is, ac, voltage must be made.

There are two basic ways to make ac voltage measurements in electronic equipment. One is to use an ac voltmeter. Most conventional voltmeters can measure ac voltages from a few millivolts to several hundred volts. Typical bench or portable ac multimeters are restricted in their frequency range to a maximum of several thousand kilohertz. Higher-frequency ac voltmeters are available for measuring audio voltages up to several hundred thousand kilohertz. For higher frequencies, special RF voltmeters must be used. The second method is to use an oscilloscope as described below.

RF Voltmeters. An *RF voltmeter* is a special piece of test equipment designed to measure the voltage of high-frequency signals. Typical units are available for making measurements up to 10 MHz. Special units capable of measuring voltages from microvolts to hundreds of volts at frequencies up to 1 to 2 GHz are also available.

RF voltmeter

RF voltmeters are made to measure sine wave voltages, with the readout given in *root mean square (rms)*. Most RF voltmeters are of the analog variety with a moving pointer on a background scale. Measurement accuracy is within the 1 to 5 percent range depending upon the specific instrument. Accuracy is usually quoted as a percentage of the reading or as a percentage of the full-scale value of the voltage range selected. RF voltmeters with digital readout probes are also available with somewhat improved measurement accuracy.

Root mean square (rms)

RF Probes. One way to measure RF voltage is to [page 831](#) use an *RF probe* with a standard dc multimeter. RF probes are sometimes referred to as *detector probes*. An RF probe is basically a rectifier (germanium or hot carrier) with a filter capacitor that stores the peak value of the sine wave RF voltage. The external dc voltmeter reads the capacitor voltage. The result is a peak value that can easily be converted to root mean square by multiplying it by 0.707.

RF probe (detector probe)

Most RF probes are good for RF voltage measurements to about 250 MHz. The accuracy is about 5 percent, but that is usually very good for RF measurements.

Oscilloscopes. Two basic types of oscilloscopes are used in RF measurements: the *analog oscilloscope* and the *digital*

storage oscilloscope (DSO).

Analog oscilloscope

Analog oscilloscopes amplify the signal to be measured and display it on the face of a CRT at a specific sweep rate. They are available for displaying and measuring RF voltages to about 500 MHz. As a rule, an analog oscilloscope should have a bandwidth of three to five or more times the highest-frequency component (a carrier, a harmonic, or a sideband) to be displayed.

Digital storage oscilloscopes, also known as *digital*, or *sampling*, *oscilloscopes*, are growing in popularity and rapidly replacing analog oscilloscopes. DSOs use high-speed sampling or A/D techniques to convert the signal to be measured to a series of digital words that are stored in an internal memory. Sampling rates vary depending upon the oscilloscope but can range from approximately 20 million samples per second to more than 50 billion samples per second. Each measurement sample is usually converted to an 8- or 10-bit parallel binary number that is stored in an internal memory. Oscilloscopes with approximately 1 Gbyte of memory or more are available depending upon the product.

Digital storage oscilloscope (DSO; digital, or sampling, oscilloscope)

Today, more than 50 percent of oscilloscope sales are of the digital sampling type. DSOs are very popular for high-frequency measurements because they provide the means to display signals with frequencies up to about 70 GHz. This means that complex modulated microwave signals can be readily viewed, measured, and analyzed.

Power Meters

As indicated earlier, it is far more common to measure RF power than it is to measure RF voltage or current. This is

particularly true in testing and adjusting transmitters that typically develop significant output power. One of the most commonly used RF test instruments is the *power meter*.

Power meter

Power meters come in a variety of sizes and configurations. One of the most popular is a small in-line power meter designed to be inserted into the coaxial cable between a transmitter and an antenna. The meter is used to measure the transmitter output power supply to the antenna. A short coaxial cable connects the transmitter output to the power meter, and the output of the power meter is connected to the antenna or dummy load.

A more sophisticated power meter is the bench unit designed for laboratory or production line testing. The output of the transmitter or other device whose power is to be measured is connected by a short coaxial cable to the power meter input.

Power meters may have either an analog readout meter or a digital display. The dial or display is calibrated in milliwatts, watts, or kilowatts. The dial can also be calibrated in terms of dBm. This is the decibel power reference to 1 milliwatt (mW). In the smaller, handheld type of power meter, a standing wave ratio (SWR) measurement capability is usually included.

The operation of a power meter is generally based on converting signal power to heat. Whenever current flows through a resistance, power is dissipated in the form of heat. If the heat can be accurately measured, it can usually be converted to an electric signal that can be displayed on a meter.

Power can also be measured indirectly. If the load impedance is known and resistive, you can measure the voltage across the load and then calculate the power with the formula $P = V^2/R$.

Example 23-1

An RF voltmeter with a detector probe is used to measure the voltage across a $75\text{-}\Omega$ resistive load. The frequency is 137.5 MHz. The measured voltage is 8 V. What power is dissipated in the load?

An RF power meter with a detector probe produces a peak reading of voltage V_p :

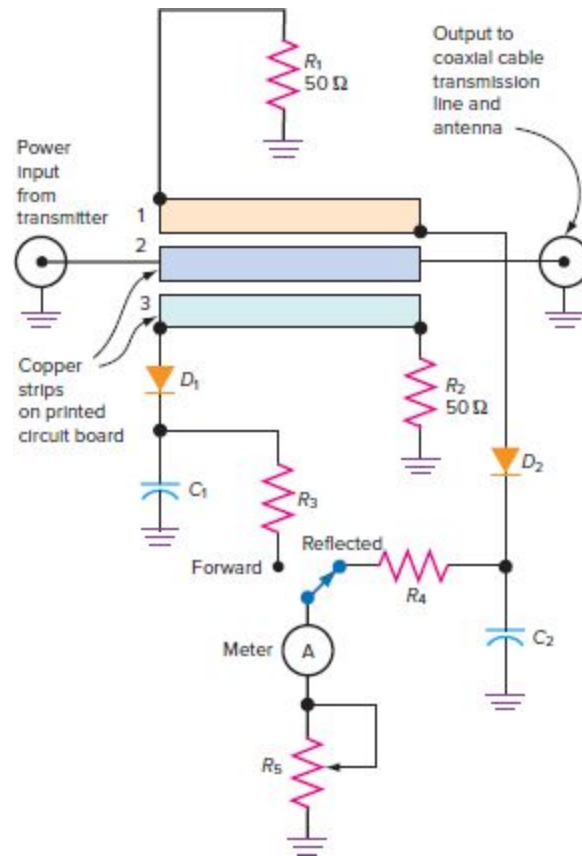
$$\begin{aligned}
 V_p &= 8 \text{ V} \\
 V_{\text{rms}} &= 0.707V_p \\
 &= 0.707(8) = 5.656 \text{ V} \\
 \text{Power} &= \frac{V^2}{R} = \frac{(5.656)^2}{75} \\
 &= \frac{32}{75} = 0.4265 \text{ W} \\
 &= 426.5 \text{ mW}
 \end{aligned}$$

Power Measurement Circuits

Relatively simple circuits can be used to measure power in transmitters and RF power circuits. An example is the monomatch circuit shown in Fig. 23-1. It uses a $50\text{-}\Omega$ transmission line made with a microstrip on a small printed-circuit board (PCB). The center conductor is the segment labeled 2 in the schematic. On each side of the center conductor are narrower pickup loops labeled 1 and page 833 3. An RF voltage proportional to the forward and reverse (reflected) power is produced as the result of capacitive and inductive coupling with the center conductor. The voltage in segment 3 represents the forward power. It is rectified by diode D_1 and filtered by C_1 into a proportional dc voltage. This voltage is applied through multiplier resistors

R_3 and R_5 to a meter whose scale is calibrated in watts of power. Note the $50\text{-}\Omega$ resistors that terminate the pickup loops for impedance matching.

Figure 23-1 Monomatch power/SWR meter.

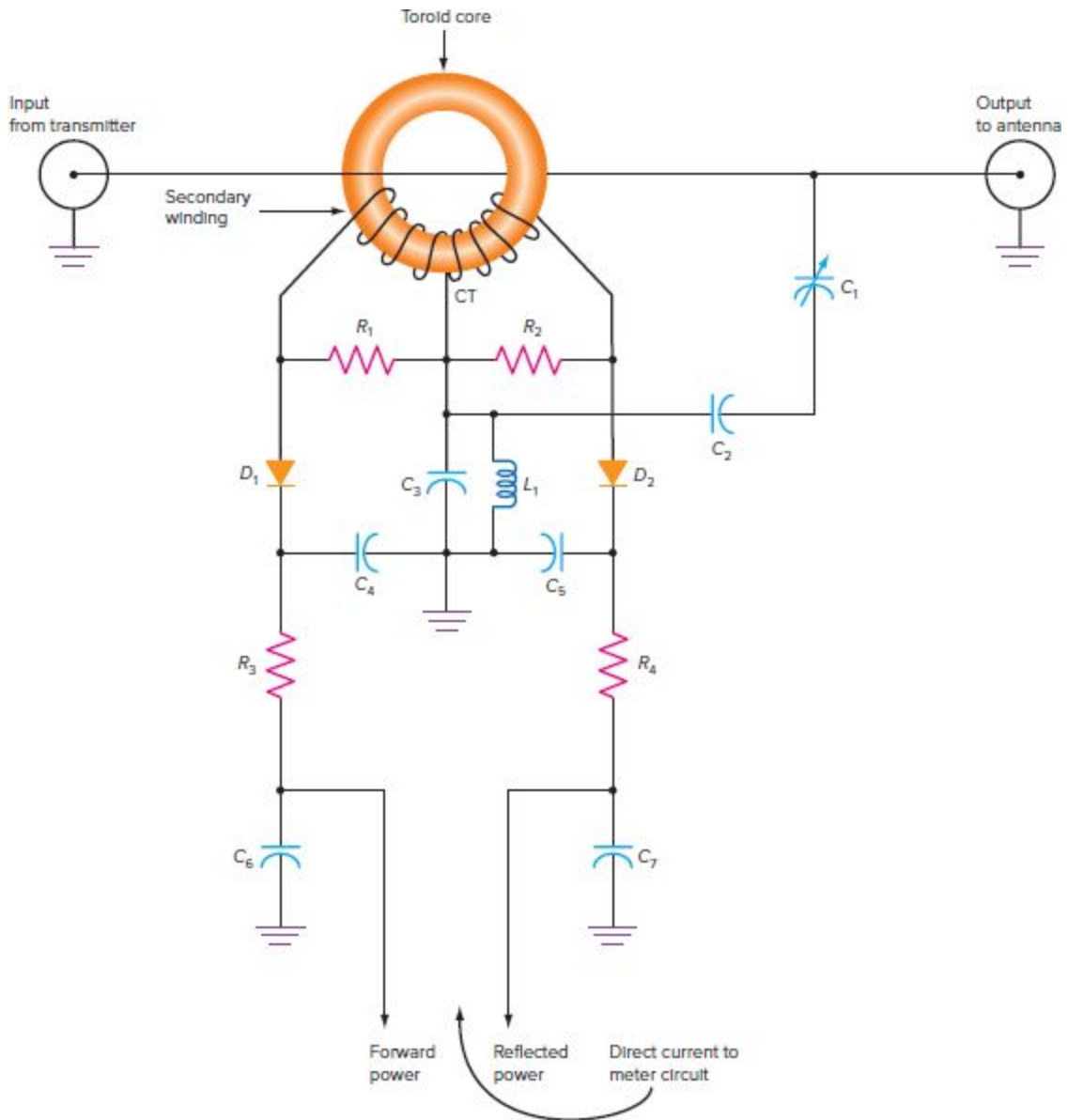


The voltage induced in pickup loop 1 is proportional to the reflected power. It is rectified by D_2 and filtered into a proportional direct current by C_2 . A switch is used to select the display of either the forward or the reflected power. Resistor R_5 is used to calibrate the meter circuit, using an accurate power meter as a standard.

Another popular power measurement circuit is the directional coupler shown in Fig. 23-2. A short piece of $50\text{-}\Omega$ coaxial cable serves as the single-turn primary winding on a transformer made with a toroid core and a secondary winding of many turns of fine wire. When RF power is

passed through the coaxial section, a stepped-up voltage is induced into the secondary winding. Equal-value resistors R_1 and R_2 divide the voltage equally between two diode rectifier circuits made up of D_1 and D_2 and the related components.

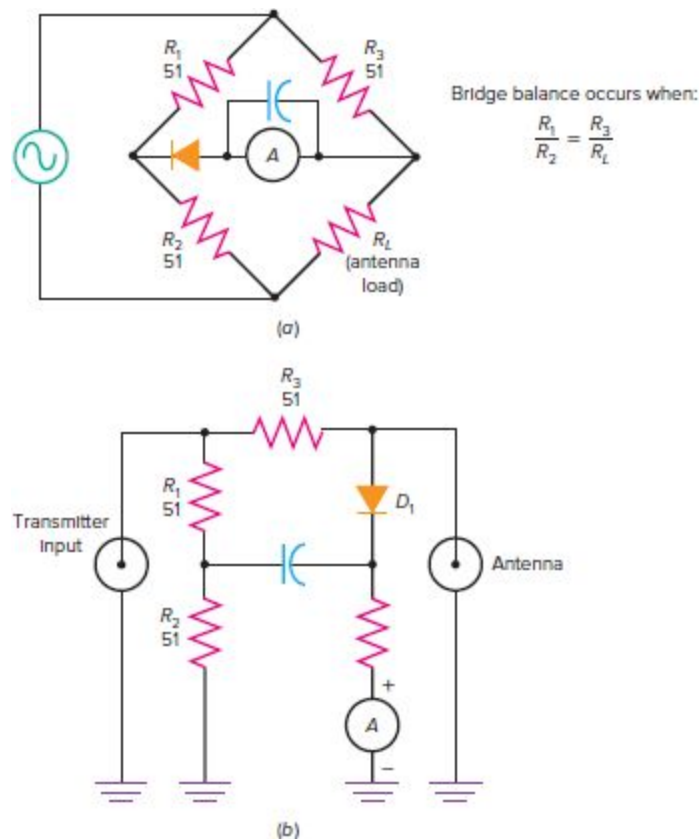
Figure 23-2 Directional coupler power measurement.



A voltage divider made up of C_1 , C_2 , C_3 , and L_1 page 834 samples the voltage at the output of the circuit. This voltage is applied to both diode rectifiers along with the

voltages from the transformer secondary. When these voltages are combined, the rectified outputs are proportional to the forward and reflected voltages on the line. Low-pass filters R_3-C_6 and R_4-C_7 smooth the rectified signals into direct current. A meter arrangement like that in Fig. 23-1 is used to display either forward or reflected power.

Figure 23-3 Bridge SWR meter.



Both circuits can be designed to handle power levels from a few milliwatts to many kilowatts. When low-level signals are used, the diodes must be of the germanium or hot carrier type with low bias threshold voltages (0.2 to 0.4 V) to provide sufficient accuracy of measurement. With careful design and adjustment, these circuits can give an accuracy of 90 percent or better. Because the circuits are so small,

they are often built into the transmitter or other circuit along with the meter and switch.

Example 23-2

If the forward power and reflected power in a circuit are known, the SWR can be calculated. If the forward power is 380 W and the reflected power is 40 W, what is the SWR?

$$\begin{aligned} \text{SWR} &= \frac{1 + \sqrt{P_R/P_F}}{1 - \sqrt{P_R/P_F}} \\ &= \frac{1 + \sqrt{40/380}}{1 - \sqrt{40/380}} \\ &= \frac{1 + 0.324}{1 - 0.324} = \frac{1.324}{0.675} = 1.96 \end{aligned}$$

Dummy Loads

A *dummy load* is a resistor that is connected to the transmission line in place of the antenna to absorb the transmitter output power. When power is measured or other transmitter tests are done, it is usually desirable to disconnect the antenna so that the transmitter does not radiate and interfere with other stations on the same frequency. In addition, it is best that no radiation be released if the transmitter has a problem or does not meet frequency or emission standards. The dummy load meets this requirement. The dummy load may be connected directly to the transmitter coaxial output connector, or it may be connected to it by a short piece of coaxial cable.

Dummy load

The load is a resistor whose value is equal to the output impedance of the transmitter and that has sufficient power rating. For example, a transmitter has an output impedance of $50\ \Omega$ and a power rating of about 4 W. The resistor dummy load must be capable of dissipating that amount of power or more. For example, you could use three $150\text{-}\Omega$, 2-W resistors in parallel to give a load of $150/3$, or $50\ \Omega$ and 3×2 , or 6, W. Standard composition carbon resistors can be used. The tolerance is not critical, and resistors with 5 or 10 percent tolerance will work well.

For low-power transmitters, an incandescent light bulb makes a reasonably good load. A type 47 pilot light is widely used for transmitter outputs of several watts. An ordinary lightbulb of 75 or 100 W, or higher, can also be used for higher-power transmitters.

The best dummy load is a commercial unit designed for that purpose. These units are usually designed for some upper power limit such as 200 W or 1 kW. The higher-power units are made with a resistor immersed in oil to improve its heat dissipation capability without burning up. A page 835 typical unit is a resistor installed in a 1-gal can filled with insulating oil. A coaxial connector on top is used to attach the unit to the transmitter. Other units are mounted in an aluminum housing with heat fins to improve heat dissipation. The resistors are noncritical, but they must be noninductive. The resistor should be as close to pure resistance at the operating frequency as possible.

Standing Wave Ratio Meters

The SWR can be determined by calculation if the forward and reflected power values are known. Some SWR meters use the monomatch or directional coupler circuits described above and then implement the SWR calculation given in

Example 23-2 with op amps and analog multiplier ICs. But you can also determine SWR directly.

Standing wave ratio meters

Fig. 23-3(a) shows a bridge SWR meter. A bridge is formed of precision, noninductive resistors, and the antenna radiation resistance. In some SWR meters, resistors are replaced with a capacitive voltage divider. The meter is connected to measure the unbalance of the bridge. The transmitter is the ac power source.

Fig. 23-3(b) shows the circuit rearranged so that the meter and one side of the bridge are grounded, thereby creating a better match to unbalanced coaxial transmission lines. Note the use of coaxial connectors for the transmitter input and the antenna and transmission line. The meter is a basic dc microammeter. Diode D_1 rectifies the RF signal into a proportional direct current. If the radiation resistance of the antenna is $50\ \Omega$, the bridge will be balanced and the meter reading will be zero. The meter is calibrated to display an SWR of 1. If the antenna radiation resistance is not $50\ \Omega$, the bridge will be unbalanced and the meter will display a reading that is proportional to the degree of unbalance. The meter is calibrated in SWR values.

Signal Generators

A *signal generator* is one of the most often needed pieces of equipment in communication equipment servicing. As its name implies, a signal generator is a device that produces an output signal of a specific shape at a specific frequency and, in communication applications, usually with some form of modulation. The heart of all signal generators is a variable-frequency oscillator that generates a signal that is usually a sine wave. Audio-frequency sine waves are required for the testing of audio circuits in communication equipment, and sine waves in the RF range from

approximately 500 kHz to 70 GHz are required to test all types of RF amplifiers, filters, and other circuits. This section provides a general overview of the most common types of signal generators used in communication testing and servicing.

Signal generator

Function Generators. A *function generator* is a signal generator designed to generate sine waves, square waves, and triangular waves over a frequency range of approximately 0.001 Hz to about 3 MHz. By changing capacitor values and varying the charging current with a variable resistance, a wide range of frequencies can be developed. The sine, square, and triangular waves are also available simultaneously at individual output jacks.

Function generator

GOOD TO KNOW

A function generator is one of the most flexible generators available. It covers all the frequencies needed for audio testing and provides signals in the low-RF range.

A function generator is one of the most flexible signal generators available. It covers all the frequencies needed for audio testing and provides signals in the low-RF range. The precision of the frequency setting is accurate for most testing purposes. A frequency counter can be used for precise frequency measurement if needed.

The output impedance of a function generator is typically $50\ \Omega$. The output jacks are BNC connectors, which are used with 50- or $75\text{-}\Omega$ coaxial cable. The output amplitude is continuously adjustable with a potentiometer. Some function generators include a switched resistive attenuator that allows the output voltage to be reduced to the millivolt and microvolt levels.

Because of the very low cost and flexibility of a function generator, it is the most popular bench instrument in use for general testing of radio amplifiers, filters, and low-frequency RF circuits. The square wave output signals also make it useful in testing digital circuits.

RF Signal Generators. Two basic types of RF signal generators are in use. The first is a simple, inexpensive type that uses a variable-frequency oscillator to generate RF signals in the 100-kHz to 500-MHz range. The second type is frequency-synthesized.

RF signal generator

These simple RF signal generators contain an output level control that can be used to adjust the signal to the desired level, from a few volts down to several millivolts. Some units contain built-in resistive step attenuators to reduce the signal level even further. The more sophisticated generators have built-in level control or automatic gain control (AGC). This ensures that the output signal remains constant while it is tuned over a broad frequency range.

Most low-cost signal generators allow the RF signal being generated to be amplitude-modulated. Normally, a built-in audio oscillator with a fixed frequency somewhere in the 400- to 1000-Hz range is included. A modulation level control is provided to adjust the modulation from 0 to 100 percent. Some RF generators have a built-in frequency modulator.

Such low-cost signal generators are useful in testing and troubleshooting communication receivers. They can provide an RF signal at the signal frequency for injection into the antenna terminals of the receiver. The generator can produce signals that can substitute for local oscillators or can be set to the intermediate frequencies for testing IF amplifiers.

The output frequency is usually set by a large calibrated dial. The precision of calibration is only a few percent, but more precise settings can be obtained by monitoring the signal output on a frequency counter.

When any type of generator based on *LC* or *RC* oscillators is being used, it is best to turn the generator on and let it warm up for several hours before it is used. When a generator is first turned on, its output frequency will drift because of changes in capacitance, inductance, and resistance values. Once the circuit has warmed up to its operating temperature, these variations cease or drop to a negligible amount.

Newer generators use *frequency synthesis* [page 837](#) techniques. These generators include one or more mixer circuits that allow the generator to cover an extremely wide range of frequencies. The great value of a frequency-synthesized signal generator is its excellent frequency stability and precision of frequency setting.

Frequency synthesis

Most frequency-synthesized signal generators use a front panel keyboard. The desired frequency is entered with the keypad and displayed on a digital readout. As with other signal generators, the output level is fully variable. The output impedance is typically $50\ \Omega$, with both BNC- and N-type coaxial connectors being required.

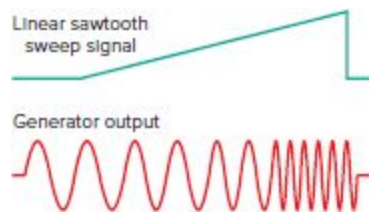
Frequency-synthesized generators are available for frequencies into the 20- to 70-GHz range. Such generators are extremely expensive, but they may be required if precision measurement and testing are necessary.

Sweep Generators. A *sweep generator* is a signal generator whose output frequency can be linearly varied over some specific range. Sweep generators have oscillators that can be frequency-modulated, where a linear sawtooth

voltage is used as a modulating signal. The resulting output waveform is a constant-amplitude sine wave whose frequency increases from some lower limit to some upper limit (see Fig. 23-4).

Sweep generator

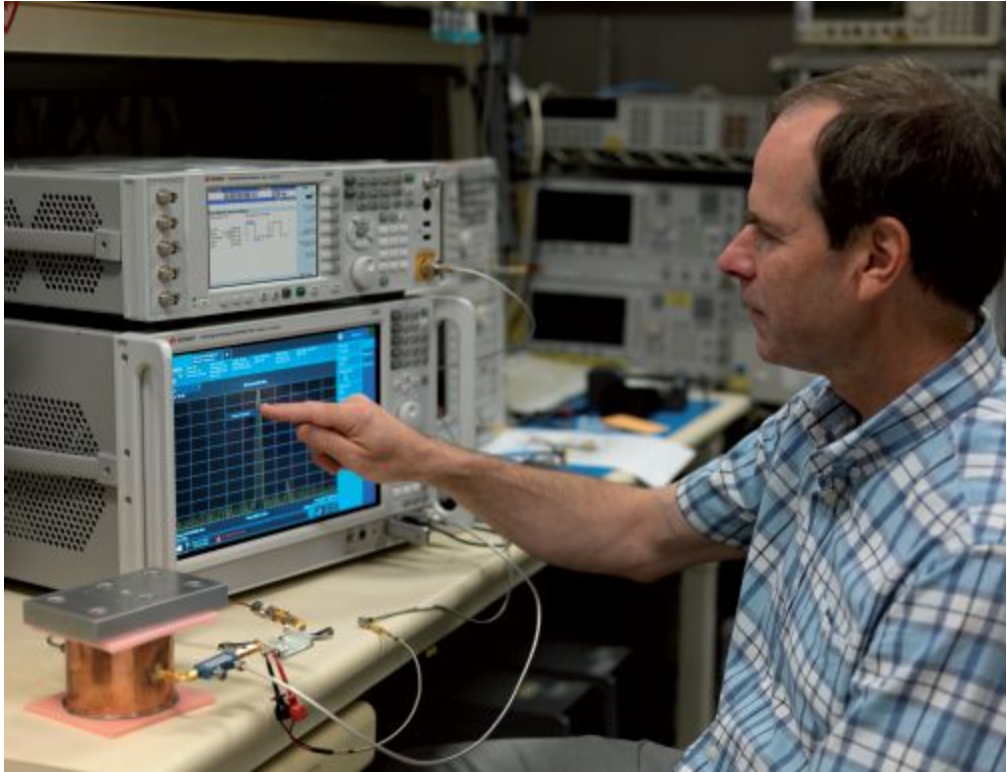
Figure 23-4 Sweep generator output.



Sweep generators are normally used to provide a means of automatically varying the frequency over a narrow range to plot the frequency response of a filter or amplifier or to show the bandpass response curve of the tuned circuits in equipment such as a receiver. The sweep generator is connected to the input of the circuit, and the upper and lower frequencies are determined by adjustments on the generator. The generator then automatically sweeps over the desired frequency range.

At the same time, the output of the circuit being tested is monitored. The amplitude of the output will vary according to the frequency, depending on the type of circuit being tested. The output of the circuit is connected to an RF detector probe. The resulting signal is the envelope of the RF signal as determined by the output variation of the circuit being tested. The signal displayed on the oscilloscope is an amplitude plot of the frequency response page 838 curve. The horizontal axis represents the frequency being varied with time, and the output represents the amplitude of the circuit output at each of the frequencies.

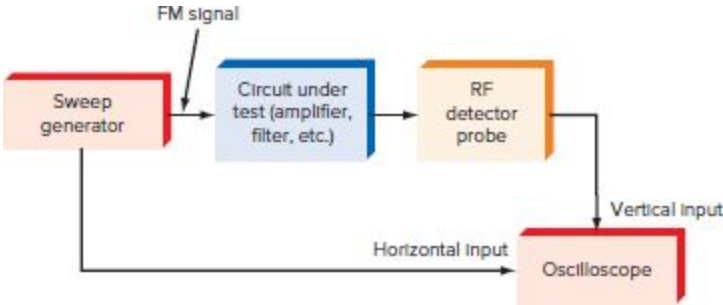
The Keysight UXA signal analysis enables designers to understand what's happening inside their device and prove that it's meeting or exceeding its performance goals.



Keysight Technologies, Inc

Fig. 23-5 shows the general test setup. The linear sweep from the sweep generator is used in place of the oscilloscope's internal sweep so that the displayed response curve is perfectly synchronized with the generator.

Figure 23-5 Testing frequency response with a sweep generator.



Most sweep generators also have *marker capability*; i.e., one or more reference oscillators are included to provide frequency markers at selected points so that the response curve can be actively interpreted. Marker increments may be 100 kHz or 1 MHz. They are added to (linearly mixed with) the output of the RF detector probe, and the composite signal is amplified and sent to the vertical input of the oscilloscope. Sweep generators can save a considerable amount of time in testing and adjusting complex tuned circuits in receivers and other equipment.

Marker capability

Most function generators have built-in sweep capability. If sweep capability is not built in, often an input jack is provided so that an external sawtooth wave can be connected to the generator for sweep purposes.

Arbitrary Waveform Generators. A newer type of signal generator is the *arbitrary waveform generator*. It uses digital techniques to generate almost any waveform. An arbitrary waveform generator stores binary values of a desired waveform in a memory. These binary words are fed sequentially to a digital-to-analog converter that produces a stepped approximation of the desired wave. Most arbitrary waveform generators come with preprogrammed standard waves such as sine, rectangular, sawtooth, and triangular waves, and amplitude modulation. These generators are set up so that you can program a waveform. The arbitrary waveform generator provides a fast and easy way to generate almost any signal shape. Because digital sampling techniques are used, the upper frequency limit of the output is usually below 10 GHz.

Arbitrary waveform generator

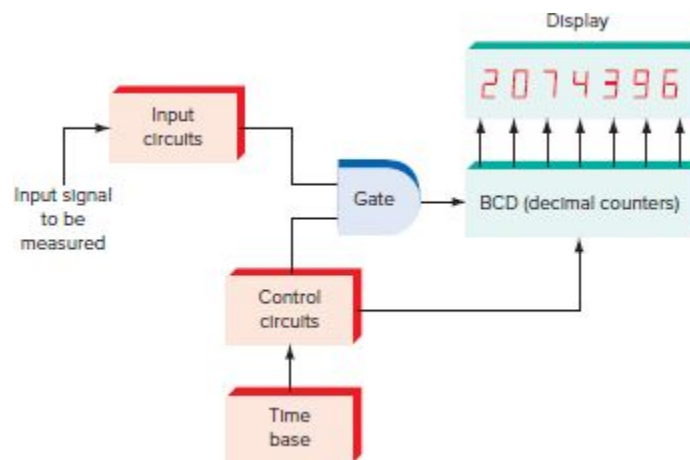
Frequency Counters

One of the most widely used communication test instruments is the *frequency counter*. It measures the frequency of transmitters, local and carrier oscillators, frequency synthesizers, and any other signal-generating circuit or equipment. It is imperative that the page 839 frequency counter operate on its assigned frequency to ensure compliance with rules and regulations and to avoid interference with other services.

Frequency counter

A frequency counter displays the frequency of a signal on a decimal readout. Counters are available as bench instruments or portable battery-powered units. A block diagram of a frequency counter is shown in Fig. 23-6. Almost all digital counters are made up of six basic components: input circuit, gate, decimal counter, display, control circuits, and time base. In various combinations, these circuits permit the counter to make time and frequency measurements.

Figure 23-6 Block diagram of a frequency counter.



Frequency Measurement. *Frequency* is a measure of the number of events or cycles of a signal that occur in a given time. The usual unit of frequency measurement is hertz (Hz) or cycles per second. The time base generates a very

precise signal that is used to open, or enable, the main gate for an accurate period of time to allow the input pulses to pass through to the counter. The time base accuracy is the most critical specification of the counter. The counter accumulates the number of input cycles that occur during that 1-s interval. The display then shows the frequency in cycles per second, or hertz.

Frequency

The number of decade counters and display digits also determines the resolution of the frequency measurement. The greater the number of digits, the better the resolution will be. Most low-cost counters have at least five digits of display. This provides reasonably good resolution on most frequency measurements. For very high-frequency measurements, resolution is more limited. However, good resolution can still be obtained with a minimum number of digits by optimum selection of the time base frequency.

In most counters that have a selectable time base, the position of the display decimal point is automatically adjusted as the time base signal is adjusted. In this way, the display always shows the frequency in units of hertz, kilohertz, or megahertz. Some of the more sophisticated counters have an automatic time base selection feature called *autoranging*. Special autoranging circuitry in the counter automatically selects the best time base frequency for maximum measurement resolution without overranging. *OVERRANGING* is the condition that occurs when the count capability of the counter is exceeded during the count interval. The number of counters and display digits determines the count capability and thus the overrange point for a given time base.

Autoranging

OVERRANGING

Prescaling. All the techniques for measuring high frequencies involve a process that converts the high frequency to a proportional lower frequency that can be measured with conventional counting circuitry. This translation of the high frequency to the lower frequency is called *down conversion*.

Down conversion

Prescaling is a down-conversion technique that involves the division of the input frequency by a factor that puts the resulting signal into the normal frequency range of page 840 the counter. It is important to realize that although prescaling permits the measurement of higher frequencies, it is not without its disadvantages, one of which is loss of resolution. One digit of resolution is lost for each decade of prescaling incorporated.

Prescaling

The prescaling technique for extending the frequency-measuring capability of a counter is widely used. It is simple to implement with modern, high-speed ICs. It is also the most economical method of extending the counting range. Prescalers can be built into the counter and switched in when necessary. Alternatively, external prescalers, which are widely available for low-cost counters, can be used. Most prescalers operate in the range of 200 MHz to 20 GHz. For frequencies beyond 20 GHz, more sophisticated down-conversion techniques must be used.

Spectrum Analyzers

The *spectrum analyzer* is one of the most useful and popular communication test instruments. Its basic function is to display received signals in the frequency domain. Oscilloscopes are used to display signals in the time domain. The sweep circuits in the oscilloscope deflect the

electron beam in the cathode-ray tube (CRT) across the screen horizontally. This represents units of time. The input signal to be displayed is applied to deflect the electron beam vertically. Thus, electronic signals that are voltages occurring with respect to time are displayed on the oscilloscope screen.

Spectrum analyzer

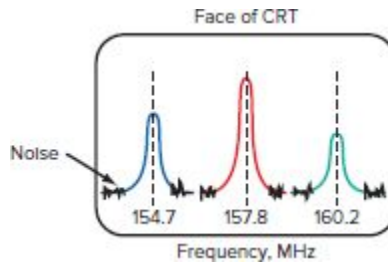
GOOD TO KNOW

Perhaps the most widely used RF spectrum analyzer is the superheterodyne type.

The spectrum analyzer combines the display of an oscilloscope with circuits that convert the signal to the individual frequency components dictated by Fourier analysis of the signal. Signals applied to the input of the spectrum analyzer are shown as vertical lines or narrow pulses at their frequency of operation.

Fig. 23-7 shows the display of a spectrum analyzer. The horizontal display is calibrated in frequency units, and the vertical part of the display is calibrated in voltage, power, or decibels. The spectrum analyzer display shows three signals at frequencies of 154.7, 157.8, and 160.2 MHz. The vertical height represents the relative strength of the amplitude of each signal. Each signal might represent the carrier of a radio transmitter. A spectrum analysis of any noise between the signals is shown.

Figure 23-7 A frequency display of a spectrum analyzer.



The spectrum analyzer can be used to view a complex signal in terms of its frequency components. A graticule on the face of the CRT allows the frequency spacing between adjacent frequency components to be determined. The vertical amplitude of the scale is calibrated in decibels. The spectrum analyzer is extremely useful in analyzing complex signals that may be difficult to analyze or whose content may be unrecognizable.

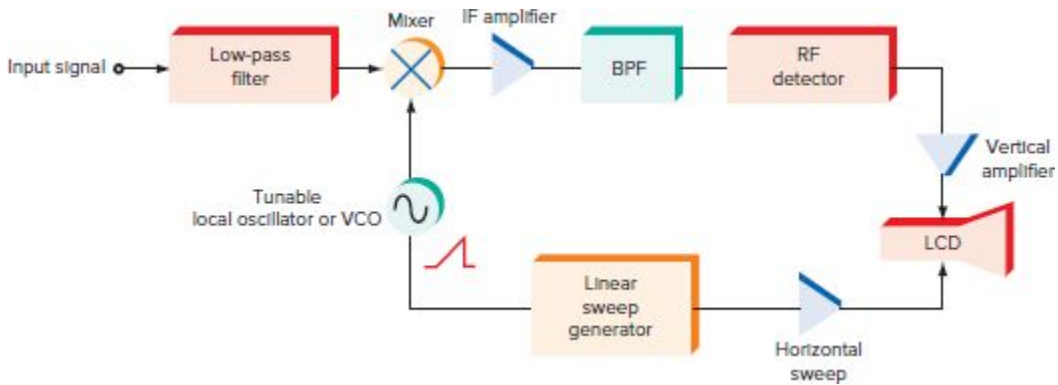
The four basic techniques of spectrum analysis are bank of filters, swept filter, swept spectrum superheterodyne, and fast Fourier transform (FFT). All these methods do the same thing, i.e., decompose the input signal into its individual sine wave frequency components. Both analog and digital methods are used to implement each type. The superheterodyne and FFT methods are the most widely used and are discussed below.

Superheterodynes. Perhaps the most widely used RF spectrum analyzer is the *superheterodyne* type (see Fig. 23-8). It consists of a broadband front end, a mixer, and a tunable local oscillator. The frequency range of the input is restricted to some upper limit by a low-pass filter in the input. The mixer output is the difference between the input signal frequency component and the local-oscillator frequency. This is the *intermediate frequency (IF)*.

Superheterodyne RF spectrum analyzer

Intermediate frequency (IF)

Figure 23-8 Superheterodyne RF spectrum analyzer.



As the local-oscillator frequency increases, the output of the mixer stays at the IF. Each frequency component of the input signal is converted to the IF value by the varying local-oscillator signal. If the frequency components are very close to one another and the bandwidth of the IF bandpass filter (BPF) is broad, the display will be just one broad pulse. Narrowing the bandwidth of the IF BPF allows more closely spaced components to be detected. Most spectrum analyzers have several switchable selectivity ranges for the IF.

A spectrum analyzer from Tektronix, covering frequencies to 14 GHz. page 841



Courtesy Tektronix

Spectrum analyzers are available in many configurations with different specifications, and they are designed to display signals from approximately 100 kHz to approximately 70 GHz. Most RF and microwave spectrum analyzers are superheterodynes. Spectrum analyzers are usually calibrated to provide relatively good measurement accuracy of the signal. Most signals are displayed as power or decibel measurements, although some analyzers provide for voltage level displays. The input is usually applied through a 50- Ω coaxial cable and connector.

FFT Spectrum Analyzers. The *fast Fourier transform* method of spectrum analysis relies on the FFT mathematical analysis. FFT spectrum analyzers give a high-resolution display and are generally superior to all other types of spectrum analyzers. However, the upper frequency of the input signal is limited to frequencies in the tens of megahertz range.

Fast Fourier transform (FFT) spectrum analyzer

In addition to measuring the spectrum of a signal, spectrum analyzers are useful in detecting harmonics and other spurious signals generated unintentionally. Spectrum analyzers can be used to display the relative signal-to-noise ratio, and they are ideal for analyzing modulation components and displaying the harmonic spectrum of a rectangular pulse train.

Despite their extremely high prices (usually page 842 \$10,000 to \$50,000), spectrum analyzers are widely used. Many critical testing and measurement applications demand their use, especially in developing new RF equipment and in making final tests and measurements of manufactured units. Spectrum analyzers are also used in the field for testing cable TV systems, cellular telephone

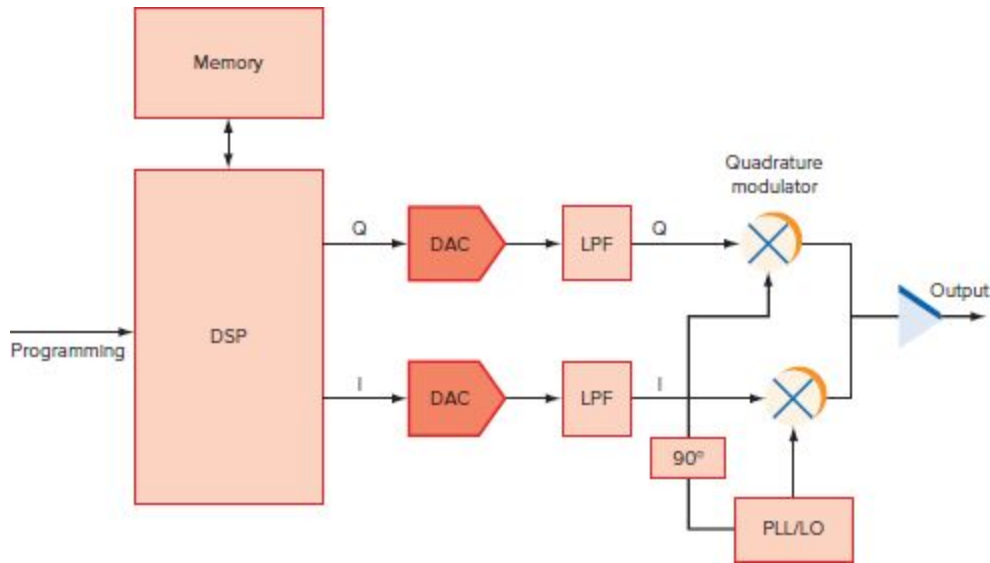
systems, fiber-optic networks, and other complex communication systems.

Vector Signal Analyzers and Generators

As wireless signals have become so complex and varied over the years, it has been necessary to create test instruments that can analyze and generate these signals. Vector signal analyzers and generators are those instruments. They can create or analyze OFDM, QPSK, QAM, FSK, WCDMA, and other signals that are common to widely used wireless technologies like Wi-Fi, and Long-Term Evolution (LTE), as well as 5G wireless and unique radar and satellite standards.

Vector Signal Generator. A vector signal generator (VSG) is a variation of an arbitrary waveform generator. A simplified example is shown in Fig. 23-9. The complex signal, such as orthogonal frequency-division multiplexing (OFDM), is generated in the digital signal processor (DSP) circuitry, which produces the in-phase (I) and quadrature (Q) components. The I and Q signals then go to DACs that produce the equivalent analog signals. These are then sent to a quadrature modulator along with a final carrier signal from a local oscillator (LO) PLL. The modulator output is usually amplified and applied to an attenuator that allows the signal level to be set. In some instruments, the signal may be generated at a lower intermediate frequency (IF) and then mixed by an upconverter to the desired higher output frequency.

Figure 23-9 Generic diagram of a vector signal generator.



Most VSGs are provided with preprogrammed signal formats for the most common wireless standards, such as 802.11 or LTE. VSGs may also be user-programmed for special formats or variations of existing standards. A commercial VSG is shown in Fig. 23-10.

Figure 23-10 The National Instruments PXIe 5646R is a modularized vector signal transceiver that contains a VSG and a VSA.

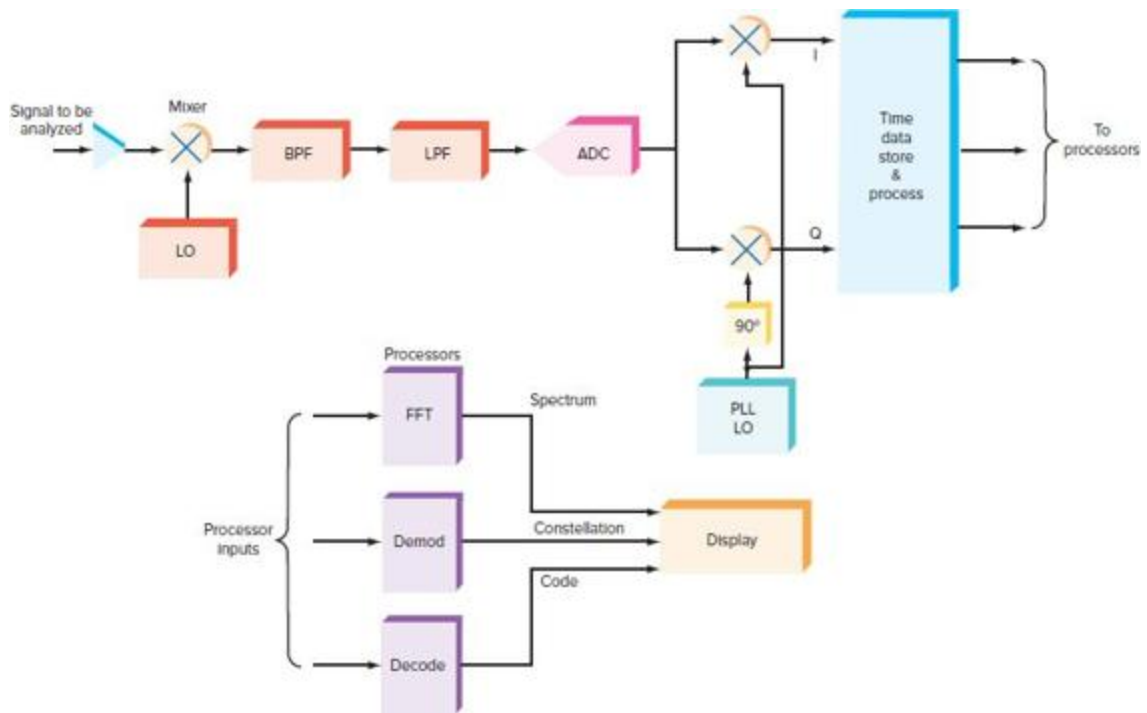


National Instruments

Vector Signal Analyzer. A vector signal analyzer (VSA) is an instrument designed to capture and provide a way to disassemble a signal to see its detail. A VSA is similar to a spectrum analyzer but with more output options. The VSA is useful in design to ensure that new circuitry meets the desired standards. It is also useful in troubleshooting to locate problems and standards variations. A VSA can usually display a frequency spectrum, a modulation constellation diagram, a digital code, or even standard analog time-domain signals like an oscilloscope.

Fig. 23-11 shows a generic block diagram of a page 843 VSA. The RF signal to be analyzed is fed to an amplifier and/or an attenuator that sets the level. The signal is applied to a mixer that downconverts the signal to an IF of a specific bandwidth. A bandpass filter sets the bandwidth, and a low-pass filter serves as an anti-aliasing filter for the analog-to-digital converter (ADC). The ADC page 844 produces a time-sampled version of the signal that will be used by the remainder of the VSA to do its analysis. The sampled data is stored and further groomed for additional processing.

Figure 23-11 Block diagram of a vector signal analyzer.



The digitized input signal then goes to a quadrature demodulator along with a local oscillator signal where the I and Q components of the signal are recovered. The I and Q signals are stored and corrected as needed, and then sent to one of several processors, depending upon the selected output. If a frequency spectrum output is desired, the signals go to an FFT processor, where the frequency components of the signal are determined and then displayed in traditional frequency spectrum format.

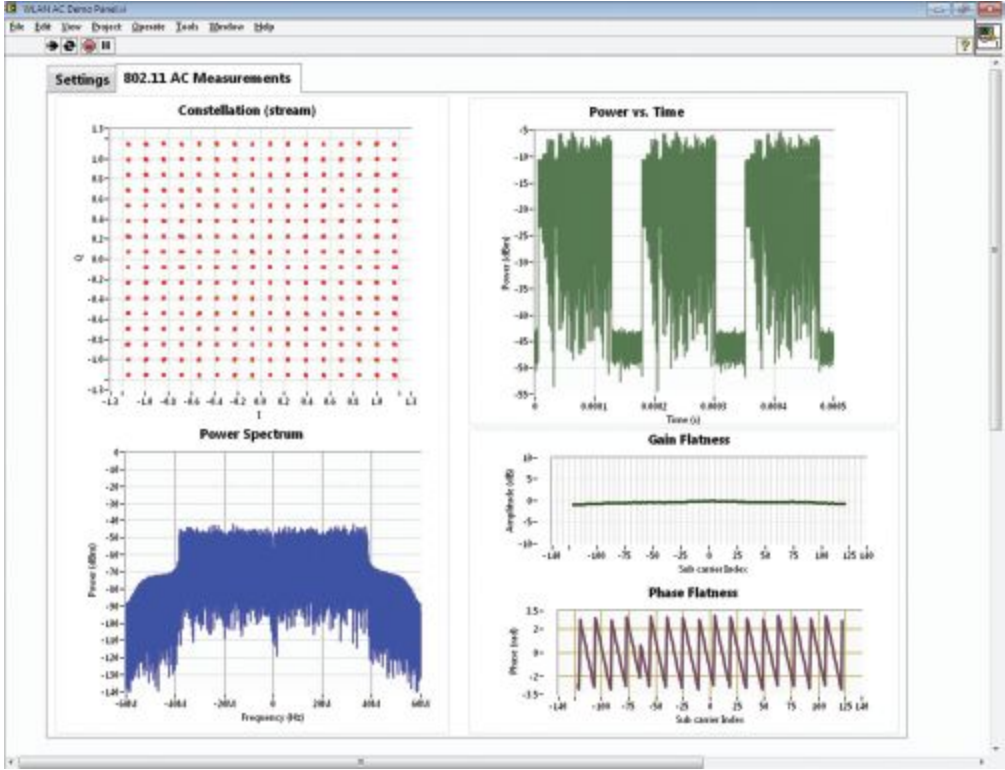
Another option is demodulation that recovers the specific data in the form of a constellation diagram display. This is especially useful for PSK and QAM signals. This type of output lets you measure the error vector magnitude (EVM) of the signal.

For CDMA analysis, the processor can generate and display the unique coding associated with the signal. Alternately a standard time-domain output may be selected. Some VSAs can also accommodate MIMO signals.

Fig. 23-12 shows some typical outputs. Fig. 23-13 shows a commercial VSA. Some manufacturers package the VSA and

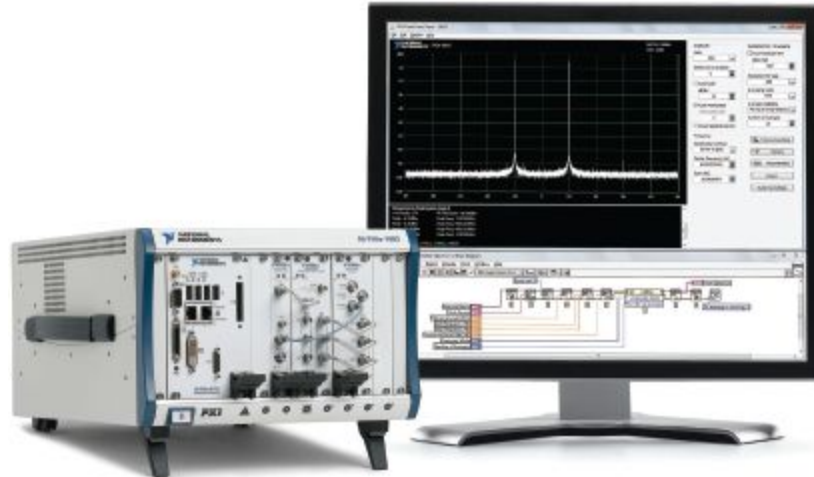
VGA modules together to form a vector signal transceiver.

Figure 23-12 Commonly available VSA output options including a constellation diagram for QAM, power versus time plot, power versus frequency plot, and gain or phase flatness plots. Courtesy National Instruments.



National Instruments

Figure 23-13 The National Instruments PXIe 5665 VSA has a frequency range to 3.6 or 14 GHz with bandwidth options of 25 or 50 MHz.



National Instruments

With most wireless equipment using OFDM and other advanced forms of signal technology today, the VSA and VSG have become the test instruments of choice for design, manufacturing test, and field troubleshooting.

Vector Network Analyzers A *vector network analyzer* (VNA) is a test instrument designed to analyze linear circuits, especially RF circuits. It is a combination instrument that contains a wide-range sweep sine wave generator and an LCD output that displays not only frequency plots as does a spectrum analyzer but also plots of phase shift versus frequency.

Vector network analyzer (VNA)

VNAs are used by engineers to determine the page 845 specific performance characteristics of a circuit they are designing, such as a filter, an amplifier, or a mixer. They are also useful in analyzing transmission lines and even individual components. The network analyzer applies a swept-frequency sine wave and measures the circuit output. The resulting measurement data is then used to produce an output display such as an amplitude versus frequency plot,

a phase shift versus frequency, or even a plot of complex impedance values on a Smith chart display.

Network analyzers completely describe the performance or characterization of a circuit. This type of information is useful not only to engineers creating the circuits but also to those in manufacturing who have to produce and test the circuit. Despite their very high cost, these instruments are widely used because of the valuable information they provide and the massive amount of design and test time they save.

The Vector Network Analyzer

The vector network analyzer (VNA) is a special instrument for making RF and microwave measurements. Specifically, its primary function is to test and characterize microwave circuits and components. The term *characterize* means to determine the specifications, behavior, and performance of RF networks and devices. Some of these devices include filters, amplifiers, antennas, transmission lines, cables, and any number of other circuits like mixers and even larger subassemblies, perhaps like the radio frequency front end (RFFE) of a smartphone.

The VNA is especially helpful to engineers who design microwave circuits and devices. The VNA can validate the design of a device by defining its characteristics quickly and completely. But the VNA can also be useful in manufacturing as part of the final test procedures. Because most new communications devices and equipment work at microwave frequencies and beyond, the VNA has become an essential test instrument.

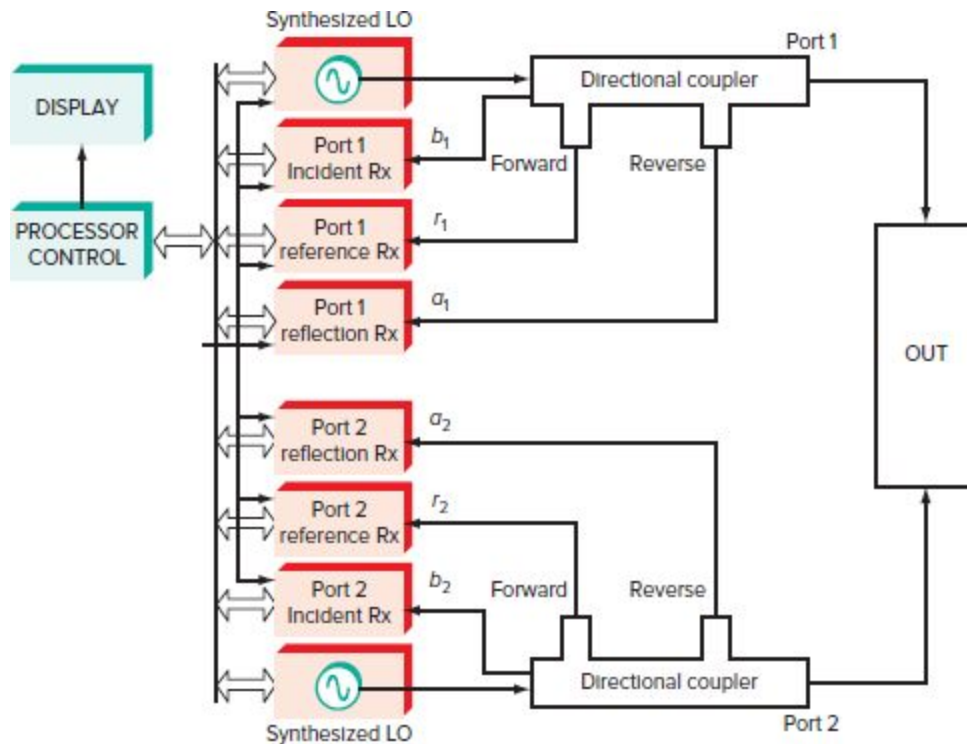
At lower frequencies we use voltage and current measurements to determine the operation and function of a circuit or device. We use standard signal generators, meters, and the oscilloscope to make measurements on the

inputs and outputs. When it comes to making measurements on RF and microwave devices, we switch to making power measurements. RF power meters and spectrum analyzers provide the measurements that explain how the device is working. More detailed characteristics about the device at microwave frequencies cannot generally be determined with conventional instruments. The VNA fills that gap.

What the VNA measures is S-parameters. These page 846 are mathematical characteristics that fully define the device. Before we go any farther, let's look at what is inside a VNA and what it does. S-parameters will be defined later.

VNA Architecture. Fig. 23-14 is a general block diagram of a VNA. It contains a very accurate and stable microwave sine-wave signal source, a frequency synthesizer referred to as the local oscillator (LO). It can be set to any frequency in the microwave range. And most VNAs have a sweep frequency function. Some VNAs have two Los, and output frequencies can be up to 53 GHz. The output of this generator is the input to the device under test (DUT).

Figure 23-14 General content of a VNA.



Another part of the VNA is several microwave receivers that will capture and analyze the various inputs and outputs from the DUT. Receivers will monitor the LO, the DUT output, and any reflected signals. Note the use of directional couplers to pick up the incident and reflected signals. Most microwave DUTs will act to some extent like a transmission line that will produce reflections and high SWR. Review Chap. 13 on transmission lines to refresh the details. Impedance mismatch is one of the main concerns. The VNA inputs and outputs are usually 50 Ω , the most common impedance for microwave circuits and devices.

The operation of the VNA goes something like this:

- Connect the DUT to the VNA with short low-loss 50-ohm coax cable and precision connectors. Most DUTs will have two ports, in and out. The VNA has two ports.
- Apply the desired test signal to the DUT. This input is called the incident signal or wave.
- The DUT output is monitored, captured, and digitized.

- The receivers are made of directional couplers that tap into the input and output signal paths to pick up and capture any reflected signals. These too are digitized.
- All the signals are then sent to the processor (DSP) that does the computing of the S-parameters.
- The color LCD output screen presents the S-parameters in the form of amplitude and phase versus test frequency graphs and, if desired, a Smith chart presentation. Some VNAs do not contain the processor and display. Instead, they use the processor and display of a PC or laptop that connects to the VNA through a USB port.
- The tests are repeated with the signals going through the DUT in the other direction.

S-Parameters. S-parameters, or scattering parameters, are mathematical expressions that define the operation of a linear network or device. When an input signal is applied to a network the network modifies the signal in both amplitude and phase. The VNA generates the signal, a sine wave called the incident signal, then measures the outputs from the network as well as any reflected power. The measurements can then be combined mathematically to express how a circuit or device works.

S-parameters have a unique format for expressing inputs and outputs. These are usually illustrated with a two-port network as shown in Fig. 23-15. The two-port network approach treats every circuit or device as a “black box.” We don’t know what is in there, but we can hook it up to a VNA and make measurements on it that will tell us how it performs. Most electronic circuits can be represented as a black box.

Figure 23-15 Treating circuits and devices as a “black box” two-port network for five-parameter analysis.



The S-parameters have a strange and awkward notation. Here is a summary of that notation. The a and b signals are essentially voltages that are captured, digitized, and processed. The S-parameters are computed from these values.

Fig. 23-16 summarizes the main S-parameters. How they are formed is explained below.

Figure 23-16 The S-parameters derived from the DUT inputs and outputs.

$$\begin{array}{ll}
 S_{11} = \frac{b_1}{a_1} \Big|_{a_2=0} & S_{12} = \frac{b_1}{a_2} \Big|_{a_1=0} \\
 S_{21} = \frac{b_2}{a_1} \Big|_{a_2=0} & S_{22} = \frac{b_2}{a_2} \Big|_{a_1=0}
 \end{array}$$

Forward Measurement

a_1 = input (incident) port 1

b_1 = reflected signal from port 1

b_2 = DUT output

$a_2 = 0$

Transmitted output: $S_{21} = b_2/a_1$ with $a_2 = 0$

Reflected signal: $S_{11} = b_1/a_1$ with $a_2 = 0$

Reverse Measurement

a_2 = DUT incident input port 2

b_2 = reflection from input port 2

b_1 = output of DUT

$a_1 = 0$

Transmitted output: $S_{21} = b_1/a_2$ with $a_1 = 0$

Reflected signal: $S_{12} = b_2/a_2$ with $a_1 = 0$

In summary:

page 848

S_{11} is the signal reflected from port 1

S_{12} is the signal transmitted from port 1 to port 2

S_{21} is the signal transmitted from port 2 to port 1

S_{22} is the signal reflected from port 2

Look back at Chap. 13 to refresh your knowledge of the reflection coefficient (Γ).

$$\Gamma = V_R/V_I$$

where V_R is the reflected voltage and V_I is the incident or input voltage.

Then recall that

Γ is also equal to

$$\Gamma = V_R/V_I = (Z_L - Z_0)/(Z_L + Z_0)$$

Remember that it is the impedance mismatch between the characteristic impedance of the device (Z_0) and the line and the impedance of the load (Z_L) that produce reflections and a high SWR. These calculations can also produce the complex impedance value $R \pm jX$.

The VNA processor makes these calculations to find the various S values. With this information, many other electrical characteristics can be calculated and displayed such as amplitude and phase plots versus frequency.

Field Strength Meters

One of the least expensive pieces of RF test equipment is the *field strength meter (FSM)*, a portable device used for detecting the presence of RF signals near an antenna. The

FSM is a sensitive detector for RF energy being radiated by a transmitter into an antenna. It provides a relative indication of the strength of the electromagnetic waves reaching the meter.

Field strength meter (FSM)

The field strength meter is a vertical whip antenna, usually of the telescoping type, connected to a simple diode detector. The diode detector is exactly like the circuit of a simple crystal radio or a detector probe, as described earlier, but without any tuned circuits so that the unit will pick up signals on any frequency.

The field strength meter does not give an accurate measurement of signal strength. In fact, its only purpose is to detect the presence of a nearby signal (within about 100 ft or less). Its purpose is to determine whether a given transmitter and antenna system are working. The closer the meter is moved to the transmitter and antenna, the higher the signal level.

A useful function of the meter is the determination of the radiation pattern of an antenna. The field strength meter is adjusted to give the maximum reading in the direction of the most radiation from the antenna. The meter is moved in a constant-radius circle around the antenna for 360° . Every 5° or 10° a field strength reading is taken from the meter. The resulting set of readings can be plotted on polar graph paper to reveal the horizontal radiation pattern of the antenna.

Other types of field strength meters are available. A simple meter may be built to incorporate a resonant circuit to tune the input to a specific transmitter frequency. This makes the meter more sensitive. Some meters have a built-in amplifier to make the meter even more sensitive and useful at greater distances from the antenna.

An *absolute* (rather than *relative*) *field strength meter* is available for accurate measurements of signal strength. The

strength of the radiated signal is usually measured in microvolts per meter ($\mu\text{V}/\text{m}$). This is the amount of voltage the signal will induce into an antenna that is 1 m long. An absolute field strength meter is calibrated in units of microvolts per meter. Highly accurate signal measurements can be made.

Absolute field strength meter

Other Test Instruments

There are hundreds of types of communication test instruments, most of which are very specialized. The ones described previously in this chapter, plus those listed in the above table, are the most common, but there are [page 849](#) many others including the many special test instruments designed by equipment manufacturers for testing their production units or servicing customers' equipment.

Instrument	Purpose
Absorption wave meter	Variable tuned circuit with an indicator that tells when the tuned circuit is resonant to a signal coupled to the meter by a transmitter; provides a rough indication of frequency.
Impedance meter	An instrument, usually of the bridge type, that accurately measures the impedance of a circuit, a component, or even an antenna at RF frequencies.
Dip oscillator	A tunable oscillator used to determine the approximate resonant frequency of any deenergized LC-resonant circuit. The oscillator inductor is coupled to the tuned circuit inductor, and the oscillator is tuned until its feedback is reduced as energy being taken by the tuned circuit, which is indicated by a "dip," or reduction, in current on a built-in meter. The approximate frequency is read from a calibrated dial.
Noise bridge	Bridge circuit driven by a random noise voltage source (usually a reverse-biased zener diode that generates random "white" or pseudorandom "pink"

noise) that has an antenna or coaxial cable as one leg of the bridge; used to make antenna characteristic impedance measurements and measurements of coaxial cable velocity factor and length.

Absorption wave meter

Impedance meter

Dip oscillator

Noise bridge

23-2 Common Communication Tests

Hundreds, even thousands, of different tests are made on communication equipment. However, some common tests are widely used on all types of communication equipment. This section summarizes the most common tests and measurements made in the servicing of communication equipment.

Most of the tests described here focus on standard radio communication equipment. Tests for transmitters, receivers, and antennas will be described, as will special microwave tests, fiber-optic cable tests, and tests on data communication equipment. Keep in mind that the test procedures described are general. To make specific tests, follow the test setups recommended by the test equipment manufacturer. Always have the manuals for the test equipment and the equipment being serviced on hand for reference.

Transmitter Tests

Four main tests are made on most transmitters: tests of frequency, modulation, and power, and tests for any undesired output signal component such as harmonics and parasitic radiations. These tests and measurements are made for several reasons. First, any equipment that radiates a radio signal is governed by Federal Communications Commission (FCC) rules and regulations. For a transmitter to meet its intended purpose, the FCC specifies frequency, power, and other measurements to which the equipment must comply. Second, the tests are normally made when the equipment is first installed to be sure that everything is working correctly. Third, such tests may be performed to troubleshoot equipment. If the equipment is not working properly, these tests are some of the first that should be made to help identify the trouble.

GOOD TO KNOW

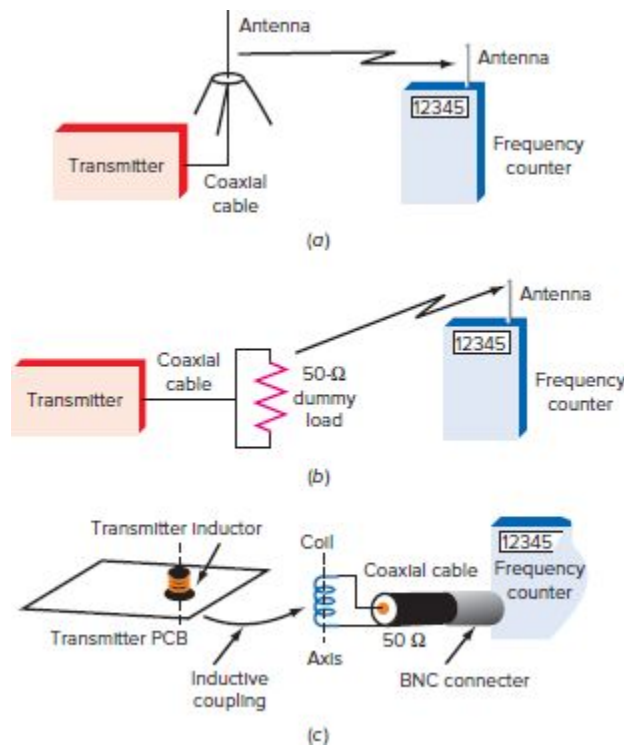
To make specific tests, always follow the test setups recommended by the test equipment manufacturer. Keep the manuals for test equipment and for the equipment being serviced on hand for reference.

Frequency Measurement. Regardless of the page 850 method of carrier generation, the frequency of the transmitter is important. The transmitter must operate on the assigned frequency to comply with FCC regulations and to ensure that the signal can be picked up by a receiver tuned to that frequency.

The output of a transmitter is measured directly to determine its frequency. The transmitted signal is independently picked up and its frequency measured on a frequency counter. Fig. 23-17 shows several methods of picking up the signal. Many frequency counters designed for communication work come with an antenna that picks up the signal directly from the transmitter [see Fig. 23-17(a)]. The transmitter is keyed up (turned on) while it is connected

to its regular antenna, and the antenna on the counter picks up the signal and translates it to one that can be measured by the counter circuitry. No modulation should be applied, especially if FM is used.

Figure 23-17 Transmitter frequency measurement.



The transmitter output can be connected to a dummy load [see Fig. 23-17(b)]. This will ensure that no signal is radiated, but that there will be sufficient signal pickup to make a frequency measurement if the counter and its antenna are placed near the transmitter.

Another method of connecting the counter to the transmitter is to use a small coil, as shown in Fig. 23-17(c). A small pickup coil can be made of stiff copper wire. Enamel copper wire, size AWG 12 or 14 wire, is formed into a loop of two to four turns. The ends of the loop are connected to a coaxial cable with a BNC connector for attachment to the frequency counter. The loop can be placed near the

transmitter circuits. This method of pickup is used when the transmitter has been opened and its circuits have been exposed. For most transmitters, the loop has been placed only in the general vicinity of the circuitry. Normally the loop picks up radiation from one of the inductors in the final stage of the transmitter. Maximum coupling is achieved when the axis of the turns of the loop is parallel to the axis of one of the inductors in the final output stage.

Once the signal from the transmitter is coupled to the counter, the counter sensitivity is adjusted, and the counter is set to the desired range for displaying the frequency. The greater the number of digits the counter can display, the more accurate the measurement.

Normally this test is made without modulation. If page 851 only the carrier is transmitted, any modulation effects can be ignored. Modulation must not be applied to an FM transmitter, because the carrier frequency will be varied by the modulation, resulting in an inaccurate frequency measurement.

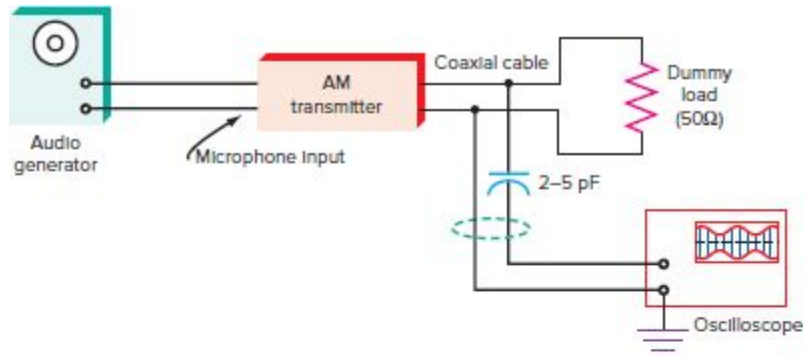
The quality of crystals today is excellent; thus, off-frequency operation is not common. If the transmitter is not within specifications, the crystal can be replaced. In some critical pieces of equipment, the crystal may be in an oven. If the oven temperature control circuits are not working correctly, the crystal may have drifted off frequency. This calls for repair of the oven circuitry or replacement of the entire unit.

If the signal source is a frequency synthesizer, the precision of the reference crystal can be checked. If it is within specifications, perhaps an off-frequency operation is being caused by a digital problem in the phase-locked loop (PLL). An incorrect frequency-division ratio, faulty phase detector, or poorly tracking voltage-controlled oscillator (VCO) may be the problem.

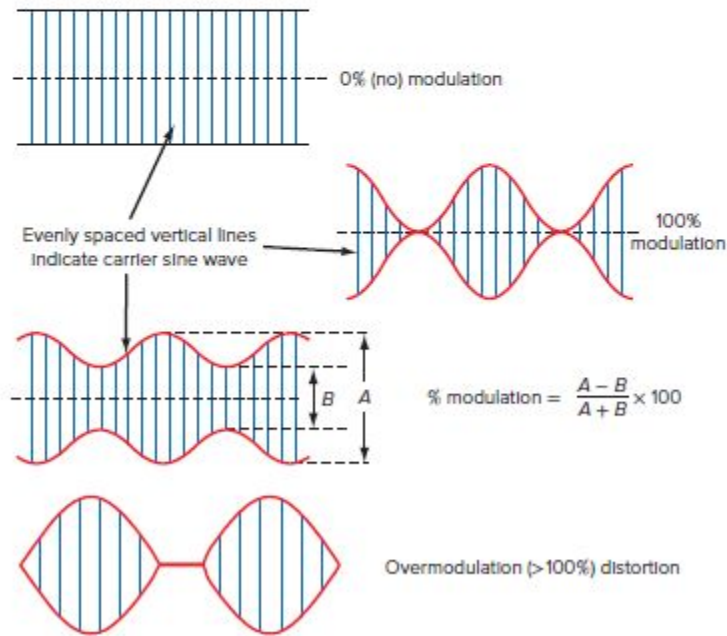
Modulation Tests. If AM is being used in the transmitter, you should measure the percentage of modulation. It is best to keep the percentage of modulation as close to 100 as possible to ensure maximum output power and below 100 to prevent signal distortion and harmonic radiation. In FM or PM transmitters, you should measure the frequency deviation with modulation. The goal with FM is to keep the deviation within the specific range to prevent adjacent channel interference.

The best way to measure AM is to use an oscilloscope and display the AM signal directly. To do this, you must have an oscilloscope whose vertical amplifier bandwidth is sufficient to cover the transmitter frequency. Fig. 23-18(a) shows the basic test setup. An audio signal generator is used to amplitude-modulate the transmitter. An audio signal of 400 to 1000 Hz is applied in place of the microphone signal.

Figure 23-18 AM measurement. (a) Test setup. (b) Typical waveforms.



(a)



(b)

The transmitter is then keyed up, and the oscilloscope is attached to the output load. It is best to perform this test with a dummy load to prevent radiation of the signal. The oscilloscope is then adjusted to display the AM signal. The display will appear as shown in Fig. 23-18(b).

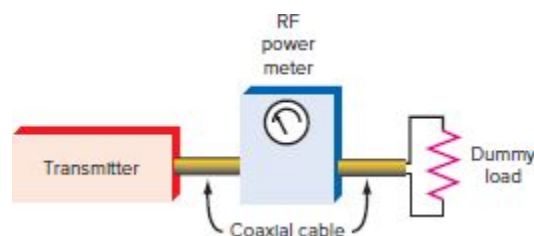
Power Measurements. Most transmitters have a tune-up procedure recommended by the manufacturer for adjusting each stage to produce maximum output power. In older transmitters, tuned circuits between stages have to be precisely adjusted in the correct sequence. In modern solid-state transmitters, there are fewer adjustments, but in most

cases there are some adjustments in the driver and frequency multiplier stages as well as tuning adjustments for resonance at the operating frequency to the final amplifier. There may be impedance-matching adjustments in the final amplifier to ensure full coupling of the power to the antenna. The process is essentially that of adjusting the tuned circuits to resonance. These measurements are generally made while monitoring the output power of the transmitter.

The procedure for measuring the output power is to connect the transmitter output to an RF power meter and the dummy load, as shown in Fig. 23-19. The transmitter is keyed up without modulation, and adjustments are made on the transmitter circuit to tune for maximum power output. With the test arrangement shown, the power meter will display the output power reading.

Once the transmitter is properly tuned up, it can be connected to the antenna. The power into the antenna will then be indicated. If the antenna is properly matched to the transmission line, the amount of output power will be the same as that in the dummy load. If not, SWR measurements should be made. Most modern power meters measure both forward and reflected power, so SWR measurements are easier to make. It may be necessary to adjust the antenna or a matching circuit to ensure maximum output power with minimum SWR.

Figure 23-19 Power measurement.



Harmonics and Spurious Output Measurements. A common problem in transmitters is the radiation of undesirable harmonics or spurious signals. Ideally, the output of the transmitter should be a pure signal at the carrier frequency with only those sideband components produced by the modulating signal. However, most transmitters will generate some harmonics and spurious signals. Transmitters that use class C, class D, and class E amplifiers generate a high harmonic content. If the tuned circuits in the transmitter are properly designed, the Q 's will be high enough to reduce the harmonic content level sufficiently. However, this is not always the case.

Another problem is that other spurious signals page 853 can be generated by transmitters. In high-power transmitters particularly, parasitic oscillations can occur. These are caused by the excitation of small tuned circuits whose components are the stray inductances and capacitances in the circuits or the transistors of the tubes involved. Parasitic oscillations can reach high levels and cause radiation on undesired frequencies.

For most transmitters, the FCC specifies maximum levels of harmonic and spurious radiation. Intermodulation distortion in mixers and nonlinear circuits also produces unwanted signals. Normally these signals must be at least 30 or 40 dB down from the main carrier signal. The best way to measure harmonics and spurious signals is to use a spectrum analyzer. The transmitter output is modulated with an audio tone, and its output is monitored directly on the spectrum analyzer. It is usually best to feed the transmitter output into a dummy load for this measurement. The spectrum analyzer is then adjusted to display the normal carrier and sideband pattern. The search for high-level signals can begin for spurious outputs by tuning the spectrum analyzer above and below the operating frequency. The spectrum analyzer can be tuned to search

for signals at the second, third, and higher harmonics of the carrier frequency. If signals are detected, they can be measured to ensure that they are sufficiently low in power to meet FCC regulations and/or the manufacturer's specifications. The spectrum analyzer is then tuned over a broad range to ensure that no other spurious nonharmonic signals are present.

It may be possible to reduce the harmonic and spurious output content by making a minor transmitter tuning adjustment. If not, to meet specifications, it is often necessary to use filters to eliminate unwanted harmonics or other signals.

Antenna and Transmission Line Tests

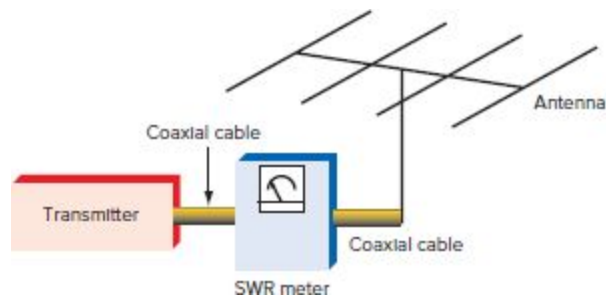
If the transmitter is working correctly and the antenna has been properly designed, about the only test that needs to be made on the transmission line and antenna is for standing waves. It will tell you whether any further adjustments are necessary. If the SWR is high, you can usually tune the antenna to reduce it.

You may also run into a transmission line problem. It may be open or short-circuited, which will show up on an SWR test as infinite SWR. But there may be other problems such as a cable that has been cut, short-circuited, or crushed between the transmitter and receiver. These kinds of problems can be located with a time-domain reflectometer test.

SWR Tests. The test procedure for SWR is shown in Fig. 23-20. The SWR meter is connected between the transmission line and the antenna. Check with the manufacturer of the SWR meter to determine whether any specific connection location is required or whether other conditions must be met. Some of the lower-cost SWR meters must be

connected directly at the antenna or a specific number of half wavelengths from the antenna back to the transmitter.

Figure 23-20 SWR measurement.



Once the meter is properly connected, key up the [page 854](#) transmitter without modulation. The transmitter should have been previously tuned and adjusted for maximum output power. The SWR can be read directly from the instrument's meter. In some cases, the meter will give measurements for the relative amount of incident or forward and reflected power or will read out in terms of the reflection coefficient, in which case you must calculate the SWR as described earlier. Other meters will read out directly in SWR. The maximum range is usually 3:1.

The ideal SWR is 1 or 1:1, which means that all the power generated by the transmitter is absorbed by the antenna load. Nevertheless, in even the best systems, perfect matching is rarely achieved. Any mismatch will produce reflected power and standing waves. If the SWR is less than 2:1, the amount of power that will be lost or reflected will be minimal.

The primary procedure for reducing the SWR is to make antenna adjustments, usually in the form of modifying the element lengths to more closely tune the antenna to the frequency of operation. Using many antennas makes it possible to adjust their length over a narrow range to fine-tune the SWR. Other antennas permit adjustment to provide a better match of the transmission line to the driven

element of the antenna. These adjustments can be made one at a time, and the SWR monitored.

TDR Tests. *Time-domain reflectometry (TDR)* is a pulse for cables and transmission lines of all types. It is widely used in finding faults in cables used for digital data transmission, but it can be used for RF transmission lines. (Refer to the section Data Communication Tests later in this chapter for details.)

Time-domain reflectometry

Receiver Tests

The primary tests for receivers involve sensitivity and noise level. The greater the sensitivity of the receiver, the higher its gain and the better job it does of receiving very small signals.

GOOD TO KNOW

The ability of a receiver to pick up weak signals is just as much a function of receiver noise level as it is of overall receiver gain. The lower the noise level, the greater the ability of the receiver to detect weak signals.

As part of the sensitivity testing, the signal-to-noise (S/N) ratio is also usually measured indirectly. The ability of a receiver to pick up weak signals is just as much a function of the receiver noise level as it is of overall receiver gain. The lower the noise level, the greater the ability of the receiver to detect weak signals.

As part of an overall sensitivity check, some receiver manufacturers specify an audio power output level. Since receiver sensitivity measurements are usually made by measuring the speaker output voltage, power output can also be checked if desired.

In this section, some of the common tests made on receivers are described. The information is generic, and the actual testing procedures often differ from one receiver manufacturer to another.

Equipment Required. To make sensitivity and noise measurements, the following equipment is necessary:

- 1. Dual-Trace Oscilloscope.** The vertical frequency response is not too critical, for you will be viewing noise and audio frequency signals.
- 2. RF Signal Generator.** This generator provides an RF signal at the receiver operating frequency. It should have an output attenuator so that signals as low as $1\ \mu\text{V}$ or less can be set. This may indicate the need for an external attenuator if the generator does not have built-in attenuators or output level adjustments. The generator must also have modulation capability, either AM or FM, depending upon the type of receiver to be tested.
- 3. RF Voltmeter.** The RF voltmeter is needed to measure the RF generator output voltage in some tests. Some higher-quality RF generators have an RF voltmeter built in to aid in setting the output attenuator and level controls.
- 4. Frequency Counter.** A frequency counter capable of measuring the RF generator output frequency is needed.
- 5. Multimeter.** A multimeter capable of measuring audio-frequency (AF) voltage levels is needed. Any analog or digital multimeter with ac measurement capability in the AF range can be used.
- 6. Dummy Loads.** A dummy load is needed for the receiver antenna input for the noise test. This can be either a 50- or $75\ \Omega$ resistor attached to the appropriate coaxial input connector. A dummy load is needed for the speaker. Because most noise and sensitivity tests are

made with maximum receiver gain including audio gain, it is not practical or desirable to leave the speaker connected. Most communication receivers have an audio output power capability of 2 to 10 W, which is sufficiently high to make the output signal level too high for comfort. A speaker dummy load of 4, 8, or $16\ \Omega$, depending on the speaker impedance, is needed. Be sure that the dummy load can withstand the maximum audio power output of the receiver. Do not use wire-wound resistors for this application, for they have too much inductance. Check the receiver's specifications for both the impedance and the maximum power level specification.

Noise Tests. *Noise* consists of random signal variations picked up by the receiver or caused by thermal agitation and other conditions inside the receiver circuitry. External noise cannot be controlled or eliminated. However, noise contributed by the receiver can be controlled. Every effort is made during the design to minimize internally generated noise and thus to improve the ability of the receiver to pick up weak signals.

Noise

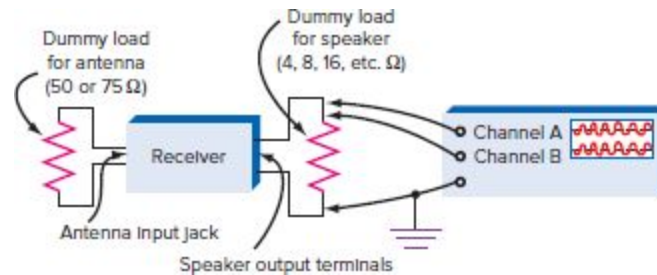
Most noise generated by the receiver occurs in the receiver's front end, primarily the RF amplifier and the mixer. Careful attention is given to the design of both these circuits so that they contribute minimum noise.

Because noise is a totally random signal that is a composite of varying frequency and varying amplitude signals, it is somewhat difficult to measure. However, the following procedure has become a common and popular method that is easy to implement.

Refer to the test setup shown in Fig. 23-21. The antenna is removed from the receiver, and a dummy load of the correct impedance is used to replace it. A carbon composition resistor of 50 or $75\ \Omega$ can be used. The idea is to prevent the

receiver from picking up any signals while maintaining the correct impedance.

Figure 23-21 Noise test setup.



At the output of the receiver, the speaker is replaced with a dummy load. Most speakers have an output impedance of 4 or 8 Ω . Check the receiver's specifications, and connect an appropriate value of resistor in place of the speaker. Be sure that the dummy load resistors can withstand the output power.

GOOD TO KNOW

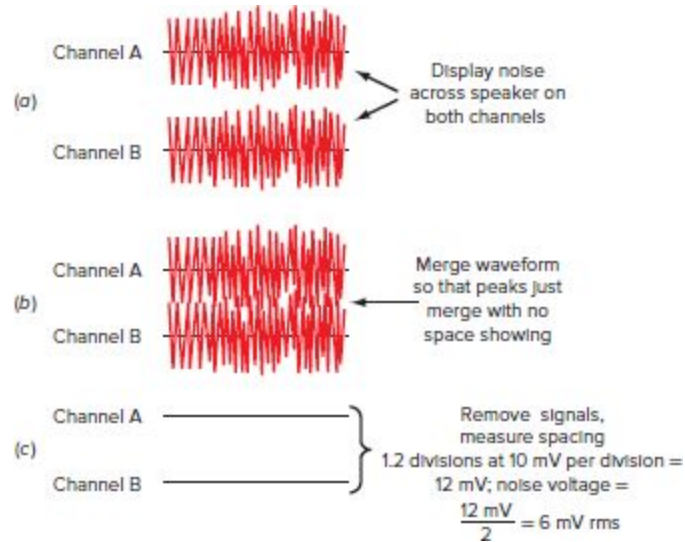
To determine the noise level when the horizontal spacing on the oscilloscope and the vertical sensitivity are known, multiply the horizontal spacing by the sensitivity and divide by 2.

Finally, connect the dual-trace oscilloscope across the dummy speaker load. The same signal should be displayed on both channels of the oscilloscope. The displayed signal will be an amplified version of the noise produced by the receiver and amplified by all the stages between the antenna input and the speaker. Follow this step-by-step procedure:

1. Turn on the receiver, and tune it to a channel where no signal will be received.

2. Set the receiver volume control to maximum. If the receiver has any type of RF or IF gain control, it too should be set to its maximum setting.
 3. Set the oscilloscope input for the lower trace (channel B) to ground. Most oscilloscopes have a switch that allows the input to be set for ac measurements, dc measurements, or ground. Grounding the channel B input will prevent any signal from being displayed. At this time, you will see a straight horizontal line for the lower trace. Adjust that lower trace so that it lines up with one of the horizontal graticule lines near the bottom of the oscilloscope screen. This will provide a voltage measurement reference.
 4. Set the channel B input and the channel A input to alternating current. Adjust the vertical sensitivities of channels A and B so that they are on the same range. Make the adjustments so that the signal is displayed something like that shown in Fig. 23-22(a). You should see exactly the same noise pattern on both channels.
 5. Using the vertical position control on the upper or A channel, move the upper noise trace downward so that it begins to merge with the noise signal on channel B. The correct adjustment for the position of the channel A noise signal is such that the peaks of the upper and lower signals just barely merge. This will generally be indicated at the point where there is no blank space between upper and lower traces. The signal should look something like that shown in Fig. 23-22(b).
 6. Now set both oscilloscope inputs to ground, thereby preventing the noise signal from being displayed. You will see two straight horizontal lines. The distance between the two lines is a measure of the noise voltage. The value indicated is two times the root-mean square (rms) noise voltage [see Fig. 23-22(c)].
-

Figure 23-22 Noise measurement procedure.

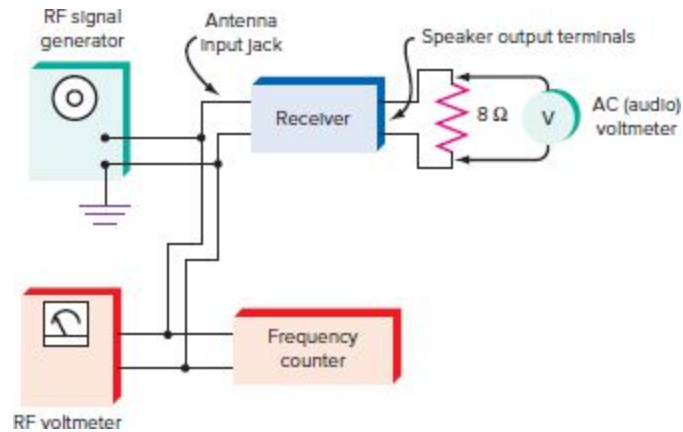


Assume that the adjustments described above were made and the separation between the two horizontal traces is 1.2 vertical divisions. If the vertical gains of both channels are set to the 10 mV per division range, the noise reading is $1.2 \times 10 \text{ mV} = 12 \text{ mV}$. The rms noise voltage is one-half of this figure, or $12 \text{ mV}/2 = 6 \text{ mV}$.

Power Output Tests. Sometimes it is necessary to measure the receiver's total power output capability. This is a good general test of all the receiver circuits. If the receiver can supply the manufacturer's specified maximum output power into the speaker with a given low RF signal level input, the receiver is operating correctly.

The test setup for the power output test is shown in Fig. 23-23. An RF signal generator for the correct frequency is used as the primary signal source. It must also be possible to modulate this generator with either AM or FM depending upon the type of receiver.

Figure 23-23 Power output test.



It is also desirable to connect a frequency counter to the signal generator output to provide an accurate measure of the receiver input frequency. Most communication page 857 receivers operate on specific frequency channels. For the test to be valid, the generator output frequency must be set to the center of the receiver frequency channel. This will usually be known from the receiver's specifications. The signal generator is tuned, and the frequency is set by monitoring the digital readout on the frequency counter.

Be sure to replace the speaker with a resistive load of an impedance equal to that of the speaker, such as $8\ \Omega$. The dummy speaker load should also be able to carry the maximum rated output power of the receiver. Finally, connect an ac voltmeter across the speaker dummy load.

Turn on the receiver, and set the volume control to the maximum. If the receiver has a variable RF or IF gain control, you must set it to the maximum setting also. At this time, any other receiver features should be disabled. For example, in an FM receiver, the squelch should be turned off or disabled. In an AM receiver, if a noise limiter is used, it too should be turned off.

To begin the test, follow this procedure:

1. Set the RF generator output level to 1 mV. If the RF signal generator has a built-in RF voltmeter, use it to

make this setting. Otherwise, an external RF voltmeter may be needed, as shown in Fig. 23-23.

2. Set the signal generator for modulation of the appropriate type. If AM is used, set the percentage of modulation for 30. If FM is used, set the deviation for ± 3 kHz. In most signal generators, the percentage of AM and the frequency deviation for FM are fixed. Refer to the signal generator specifications to find out what these values are.
3. With everything appropriately adjusted, measure the ac voltage across the speaker dummy load. This will be an rms reading.
4. To determine the receiver power output, use the standard power formula $P = V^2/R$.

Assume that you measure an rms voltage of 4 V across an 8- Ω speaker. The power output will be

$$P = \frac{V^2}{R} = \frac{4^2}{8} = \frac{16}{8} = 2 \text{ W}$$

An optional test is to observe the signal across the speaker load with an oscilloscope. Most RF generators modulate the input signal with a sine wave of 400 Hz or 1 kHz. If an oscilloscope is placed across the dummy speaker load, the sine wave will be seen. This will indicate whether the receiver is distorting. The oscilloscope can also be used in place of the audio voltmeter to make the voltage measurement across the dummy speaker load. Remember that oscilloscope measurements are peak to peak. The peak-to-peak value must be converted to root mean square to make the power output calculation.

20-dB Quieting Sensitivity Tests. In most cases, page 858 the sensitivity of a receiver is expressed in terms of the minimum RF voltage at the antenna terminals that will

produce a specific audio output power level. Most measurements factor in the effect of noise.

The method of sensitivity measurement is determined according to whether AM or FM is used. Because most modern radio communication equipment uses frequency modulation, measuring FM receiver sensitivity is illustrated. There are two basic methods, quieting and SINAD. The *quieting method* measures the amount of signal needed to reduce the output noise to 20 dB. As the signal level increases, the noise level decreases until the limiters in the IF section begin to start their clipping action. When this happens, the receiver output “quiets”; i.e., its output is silent and blanks out the noise.

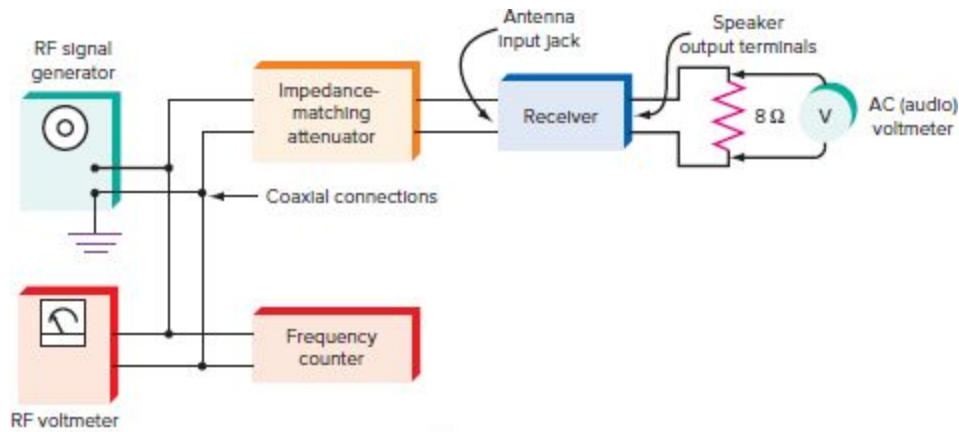
Quieting method

The *SINAD test* is a measure of the input signal voltage that will produce at least a 12-dB signal-to-noise ratio. The noise value includes any harmonics that are produced by the receiver circuits because of distortion.

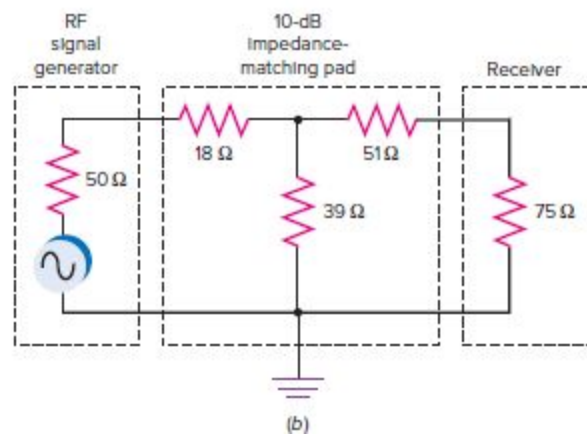
SINAD test

The test setup for receiver sensitivity measurements is shown in Fig. 23-24(a). It consists of an RF signal generator, an RF voltmeter, a frequency counter, the receiver to be tested, and a voltmeter to measure the output across the speaker dummy load.

Figure 23-24 (a) Quieting method of FM receiver sensitivity measurement.
(b) T-type impedance-matching attenuator.



(a)



(b)

It is often necessary to provide an impedance-matching network between the generator and the receiver antenna input terminals. Most RF generators have a $50\text{-}\Omega$ output impedance. This may match the receiver input impedance exactly. However, some receiver input impedances may be different. For example, if a receiver has a $75\text{-}\Omega$ input impedance, some form of impedance matching will be required. This is usually handled by a resistive attenuator known as an *impedance-matching pad*, which is a resistive T network that provides the correct match between the receiver input and the generator. A typical impedance-matching pad is shown in Fig. 23-24(b). It matches page 859 the $50\text{-}\Omega$ generator output to the $50\text{-}\Omega$ receiver antenna input. Because resistors are used, the impedance-matching circuit is also an attenuator. With the values given in Fig. 23-24(b), the signal attenuation is 10 dB. This must

be factored into all signal generator measurements to obtain the correct sensitivity figure. Different values of resistors can be used to create a pad with the correct impedance-matching qualities but with lower or higher values of attenuation.

Impedance-matching pad

Some manufacturers specify a special input network made up of resistors, inductors, and/or capacitors for this or other sensitivity tests. This network helps simulate the antenna accurately in equipment that uses special antennas.

Follow this procedure to make the 20-dB quieting measurement:

- 1.** Turn on the receiver, and set it to an unused channel.
- 2.** Leave the signal generator off so that no signal is applied.
- 3.** Set the receiver gain to maximum with any RF or IF gain control, if available.
- 4.** Adjust the volume control of the receiver so that you read some convenient value of noise voltage on the meter connected across the speaker. One volt rms is a good value if you can achieve it; but if not, any other convenient value will do.
- 5.** Turn on the signal generator, but set the output level to zero or some very low value. Adjust the generator frequency to the center of the receiver's channel setting. Turn off the modulation so that the generator supplies carrier only.
- 6.** Increase the signal generator output signal level a little at a time, and observe the voltage across the speaker. The noise voltage level will decrease as the carrier signal gets strong enough to overpower the noise. Increase the signal level until the noise voltage drops to one-tenth of its previous value.

7. Measure the generator output voltage on the generator meter or the external RF voltmeter.
8. If an attenuator pad or other impedance-matching network was used, subtract the loss it introduces. The resulting value is the voltage level that produces 20 dB of quieting in the receiver.

Assume that you measured a generator output of $5\ \mu\text{V}$ that produces the 20-dB noise decrease. This is applied across a $50\text{-}\Omega$ load producing an input power of $P^2 = V^2/R = (5 \times 10^{-6})^2/50 = 0.5\ \text{pW}$. This is attenuated further by the 10-dB matching pad to a level of one-tenth, or 0.05 pW, which translates to a voltage level across $50\ \Omega$ as

$$V = \sqrt{PR} = \sqrt{0.05 \times 10^{-12} \times 50} = 1.58 \times 10^{-6} = 1.58\ \mu\text{V}$$

This is the receiver sensitivity. It takes $1.58\ \mu\text{V}$ of a signal to produce 20 dB of quieting in the receiver.

For a good communication receiver, the 20-dB quieting value should be under $1\ \mu\text{V}$. A typical value is in the 0.2- to $0.5\text{-}\mu\text{V}$ range. The lower the value, the better the sensitivity.

Blocking and Third-Order Intercept Tests. As the spectrum has become more crowded and as modulation advances have permitted higher speed per hertz of bandwidth, the potential for adjacent channel interference has significantly increased. To ensure minimum adjacent channel interference, receiver specifications have become tighter. This is especially true in cell phones. Whole suites of tests must be passed by the receiver in order to meet the specifications of a specific cell phone standard such as LTE or CDMA.

GOOD TO KNOW

The third-order intercept test determines whether a cell phone will filter out large nearby signals that can be mistakenly interpreted by the cell phone as its receiving frequency.

An example is the receiver blocking test that makes measurements to ensure that signals from an adjacent channel do not block or desensitize the channel being used. A very strong signal near the receiving frequency has the effect of lowering the gain of the receiver. Any small signal being received will be decreased in amplitude or even blocked completely. Some specifications call for the receiver to be able to receive a weak signal when the adjacent channel signal is 60 to 70 dB greater in level. The ability to meet this test depends upon the filtering selectivity of the receiver.

But perhaps the most difficult test is the *third-order intercept test*, designated *TOI* or *IP3*. This test is a measure of the linearity of amplifiers, mixers, and other circuits. When two signals are applied to a circuit, any nonlinearity in the circuit causes a mixing or modulation effect. The larger the input signals, the more likely the amplifier will be driven into a nonlinear region where mixing will occur. Sum and difference signals will be produced. Some of the resulting so-called intermodulation products are problematic because they occur at a frequency near or inside the receiver bandpass and interfere with the signal being received. Such signals, because they are so close to the desired signal, cannot be filtered out. These intermodulation signals must be reduced as much as possible in the design of the receiver by selecting more linear components or giving greater attention to biasing schemes and operating points.

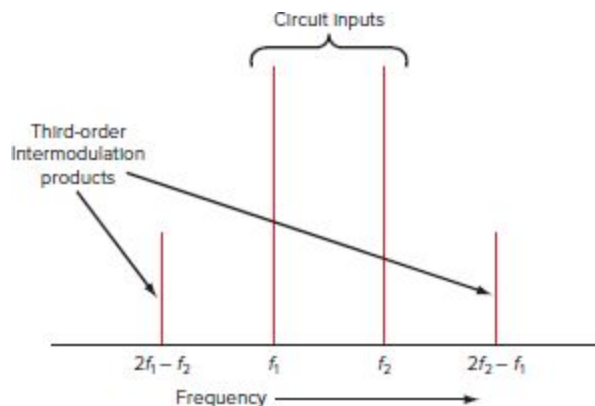
Third-order intercept test (TOI or IP3)

GOOD TO KNOW

The third-order products that most often interfere with a signal are $2f_1 - f_2$ and $2f_2 - f_1$.

Fig. 23-25 shows two signals f_1 and f_2 that appear at the input to an amplifier. The nonlinear action of the amplifier generates a wide range of sums and differences, including those with the second and third harmonics. Most of these undesired products will be filtered out by the receiver IF filters. The third-order products cause the most problems, because they will most likely fall within the receiver IF bandpass. The third-order products are $2f_1 \pm f_2$ and $2f_2 \pm f_1$, where the terms $2f_1 - f_2$ and $2f_2 - f_1$ cause the most problems.

Figure 23-25 Third-order intermodulation products.

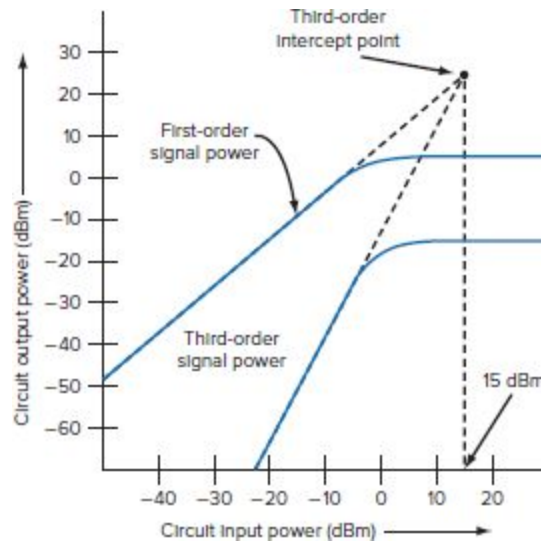


To measure the third-order problem, two equal power signals are applied to the amplifier or other circuit to be tested. The frequency spacing is usually small and often made equal to the normal channel spacing used. The power of the input signals is gradually increased, and measurements are made on the amplifier output to determine the levels of the test signals and the third-order products. As the power levels of the input signals increase, the third-order signal power increases as the cube of the

input power change. On a logarithmic scale, the rate of increase of third-order products is three times that of the original signals.

Refer to Fig. 23-26. If you extend the linear portions of the two curves, they will meet at a theoretical point where the initially lower third-order signals equal the main input signals in amplitude. This is the third-order intercept point. The input power at that point is used as a measure of the intermodulation. In Fig. 23-26, the IP3 point is at 15 dBm. Typical IP3 values are between 0 and 35 dBm. The higher the IP3 value, the better the circuit linearity and the lower the intermodulation products.

Figure 23-26 Third-order intercept plot of an RF amplifier.



Microwave Tests

Microwave tests are generally similar to those performed on standard transmitters and receivers. Transmitter measurements include output power, deviation, harmonics, and spurious signals as well as modulation. The techniques are similar but require the use of only those test instruments whose frequency response is in the desired

microwave region. The same goes for receiver measurements and antenna transmission line tests. The procedures are generally the same, but the equipment is different. For example, with power measurements, [page 861](#) a directional coupler is normally used as the transmitter output to reduce the signal to a proper level for measurement with the power meter. Today the key microwave test instrument is the VNA described earlier in this chapter.

5G Testing

Testing cellular phones, base station, and small cells has gotten more complex over the years as the standards have evolved. Today, special test sets are available from most of the big test equipment companies (Anritsu, Keysight, National Instruments, Rohde Schwarz, Tektronix, and others). These collections of test equipment plus all the related software will test everything to be sure that it complies with the latest standards of the 3GPP and related certification and standards organizations.

One of the biggest changes occurs in testing the mmWave equipment. Most FR1 DUTs that operate in the 450-MHz to 7.125-GHz range are connected to the test equipment by short, low-loss cables. At FR2 range frequencies from 24.25 to 52.6 GHz these cables generally introduce too much attenuation and other effects that make any measurement inaccurate. As a result, the T & M companies advise 5G testers to do all “over-the-air” (OTA) testing. No cables are used. The tester places the DUT and the test gear in a shielded room or other enclosure, sets up transmit and receive antennas, and makes the various frequency, power output, modulation, antenna characteristics (like MIMO format), and other specific measurements.

The main issue concerns testing phased arrays that are used for agile beamforming and MU-MIMO. Cables are not practical for this. By making OTA tests, the whole system is tested as a unit with minimal error. OTA tests are usually conducted in a shielded structure called a compact antenna test range (CATR). It must be large enough to ensure that the test gear antenna is several far fields away from the antenna of the 5G equipment to be tested. The antennas are positioned and power levels adjusted and then measurements are made.

Listed below are some of the 5G mmWave measurements to be made.

- Effective isotropic radiated power (EIRP). A reference measurement.
- Error vector magnitude (EVM).
- Adjacent channel leakage ratio (ACLR).
- Spurious signals (harmonics, intermodulation products, noise, etc.)
- Antenna gain.
- Antenna radiation pattern and directivity.

Data Communication Tests

The tests for wireless data communication equipment are essentially the same as those for standard RF communication as described above. The only difference is the type of modulation used to apply the binary signal to the carrier. FSK and its many variants, as well as PSK and spread spectrum, are the most widely used. Special FSK and PSK deviation and modulation meters are available to make these measurements.

For data communication applications in which binary signals are baseband on coaxial and twisted-pair cables,

such as in LANs, more conventional testing methods may be used. For example, binary test patterns may be initiated in the transmitting equipment, and the signal viewed on the oscilloscope at the receiving end. Tests of signal attenuation and wave shape can then be made.

Eye Diagrams. A common method of analyzing the quality of binary data transmitted on a cable is to display what is known as the *eye diagram* on a common oscilloscope. The eye diagram, or pattern, is a display of the individual bits overlapped with one another. The resulting output looks like an open eye. The shape of the pattern and the degree that the eye is “open” can be used to determine many things about the quality of transmission.

Eye diagram

Eye diagrams are used for testing because it is difficult to display long streams of random serial bits on an oscilloscope. The randomness of the data prevents good synchronization of the oscilloscope with the data, and thus the display jitters and changes continuously. Sending the same pattern of bits such as repeating the ASCII code for the letter U (alternating 1s and 0s) may help the synchronization process, but the display of one whole word on the screen usually does not provide sufficient detail to determine the nature of the signal. The eye diagram solves these problems.

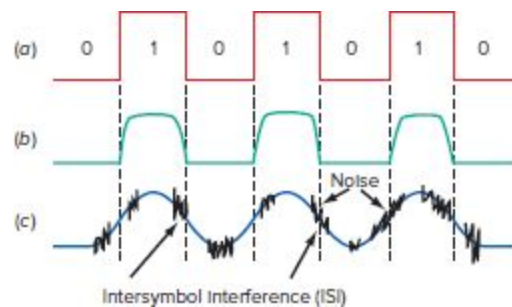
GOOD TO KNOW

The eye diagram is an excellent way to get a nonprecise, quick, qualitative check of a signal. The eye pattern tells at a glance the degree of bandwidth limitation, signal distortion, jitter, and noise margin.

Fig. 23-27(a) shows a serial pulse train of alternating binary 0s and 1s that is applied to a transmission line. The

transmission line, either coaxial or twisted pair, is a low-pass filter, and therefore it eliminates or at least greatly attenuates the higher-frequency components in the pulse train. It also delays the signal. The result is that the signal is rounded and distorted at the end of the cable and the input to the receiver [see Fig. 23-27(b)].

Figure 23-27 (a) Ideal signal before transmission. (b) Signal attenuated, distorted, and delayed by medium (coaxial or twisted pair). (c) Severely attenuated signal with noise.



The longer the cable and/or the higher the bit rate, the greater the distortion. The pulses tend to blur into one another, causing what is called *intersymbol interference (ISI)*. ISI makes the voltage levels for binary 1 and 0 closer together with 1 bit smearing or overlapping into the other. This makes the receiver's job of clearly distinguishing a binary 1 from a binary 0 more difficult. Furthermore, noise is usually picked up along the transmission path, making the received signal a poor representation of the original data signal. Too much signal rounding or ISI introduces bit errors. Fig. 23-27(c) shows a severely distorted, noisy data signal.

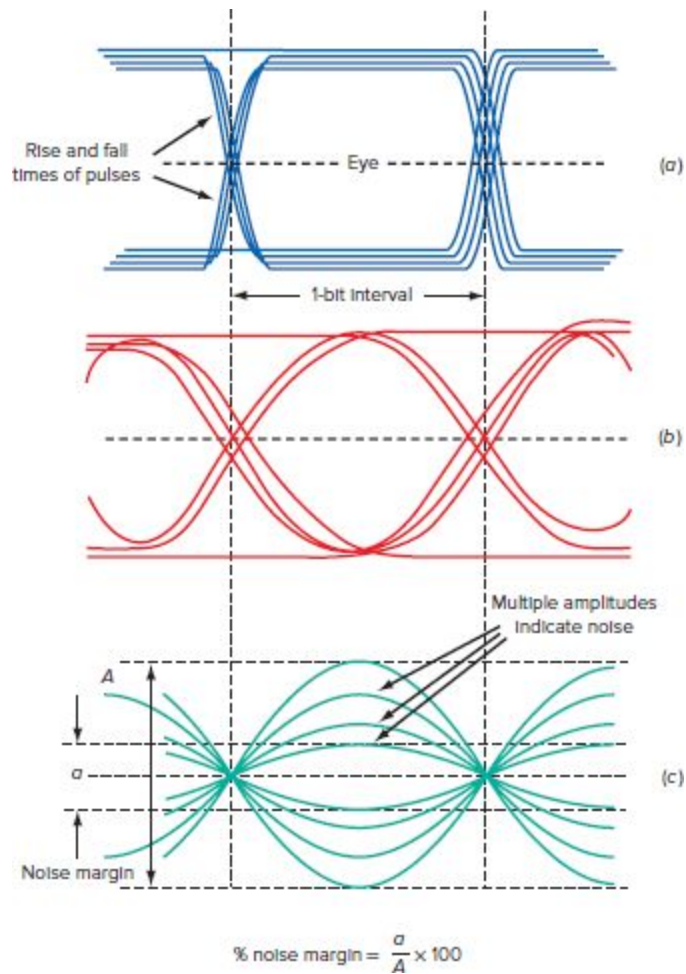
Intersymbol interference (ISI)

The eye pattern provides a way to view a serial data signal and to make a determination about its quality. To display the eye diagram, you need an oscilloscope with a bandwidth at least five times the maximum bit rate. For example, if the bit rate is 10 Mbps, the oscilloscope bandwidth should be at least 10×5 MHz, or 50 MHz. The higher the better. The oscilloscope should have triggered sweep. Either a conventional analog or a digital oscilloscope can be used.

Apply the baseband binary signal at the end of the cable and the receiver input to the vertical input. Adjust the sweep rate of the oscilloscope so that a 1-bit interval takes up the entire horizontal width of the screen. Use the variable sweep control to fine-tune the display and use the trigger controls to stabilize the display. The result is an eye diagram.

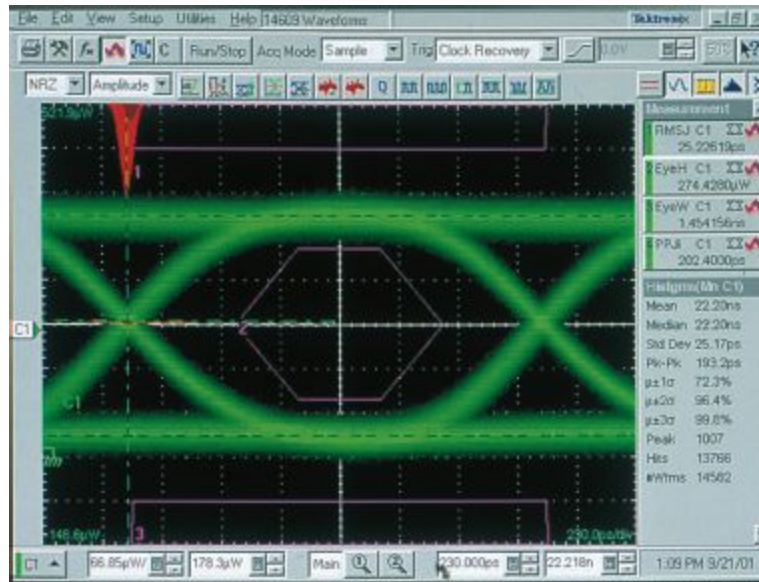
Several different eye patterns are shown in Fig. 23-28. The multiple lines represent the overlapping pulses occurring over time. Their amplitude and phase shift are slightly shifted from sweep to sweep, thereby giving the kind of pattern shown. If the signal has not been severely rounded, delayed, or distorted, it might appear as shown in Fig. 23-28(a). The eye is “wide open” and has a trapezoidal shape. This is a composite display of the rise and fall times of the pulses overlapping one another. The steeper the sides, the less the distortion. The eye pattern in Fig. 23-28(a) indicates wide bandwidth of the medium.

Figure 23-28 Eye diagrams. (a) Good bandwidth. (b) Limited bandwidth. (c) Severe bandwidth limitation with noise.



In Fig. 23-28(b), the pattern looks more like an open eye. The pulses are rounded, indicating that the bandwidth is limited. In fact, the pulses approach the shape of a sine wave. The pattern shown in Fig. 23-28(c) indicates more severe bandwidth limiting. This reduces the amplitude of the rounded pulses, resulting in a pattern that appears to be an eye that is closing. The more the eye closes, the narrower the bandwidth, the greater the distortion, and the page 864 greater the intersymbol interference. The difference between the binary 0 and 1 levels is less, and the chance is greater for the receiver to misinterpret the level and create a bit error.

An eye diagram on an oscilloscope that is optimized for optical data communication testing.



Tektronix. Reprinted with permission. All Rights Reserved.

Note further in Fig. 23-28(c) that the amplitudes of some of the traces are different from others. This is caused by noise varying the amplitude of the signal. The noise can further confuse the receiver, thus producing bit errors. The amount of voltage between the lowest of the upper patterns and the highest of the lower patterns as shown is called the *noise margin*. The smaller this value, the greater the noise and the greater the bit error rate. Noise margin is sometimes expressed as a percentage based upon the ratio of the noise margin level a in Fig. 23-28(c) to the maximum peak-to-peak value of the eye A .

Noise margin

The eye diagram is not a precise measurement method. But it is an excellent way to get a quick qualitative check of the signal. The eye pattern tells at a glance the degree of bandwidth limitation, signal distortion, jitter, and noise margin.

Pattern Generators. A *pattern generator* is a device that produces fixed binary bit patterns in serial form to use as

test signals in data communication systems. The pattern generator may generate a repeating ASCII code or any desired stream of 1s and 0s. Pattern generators are used to replace the actual source of data such as the computer. Their output patterns can be changed to standard codes or messages or may be programmable to some desired sequence. A pattern generator may be implemented in software at the sending computer.

Pattern generator

Bit Error Rate Tests. At the other end of the link, the pattern generator sequence is detected and compared to the known actual pattern or message sent. Any errors in the comparison indicate errors. The instrument that detects the pulse's pattern and compares it is called a *bit error rate (BER) analyzer*. It compares on a bit-by-bit basis the transmitted and received data to point out every bit error made. It keeps track of the total number of bits sent and the number of errors that occur and then computes the BER by dividing the number of errors by the number of bits sent. The BER tester must, of course, know the exact pattern or message sent by the pattern generator.

Bit error rate (BER) analyzer

$$\text{Percent BER} = \frac{\text{number of errors detected}}{\text{numbers of bits sent}} \times 100$$

TDR Tests with an Analyzer. Special data communication test instruments are also available. A popular instrument is the *TDR tester*, also known as a *cable analyzer* or *LAN meter*. This instrument, often handheld, is connected to coaxial or twisted-pair cable and is able to make tests and measurements, some of which are:

TDR tester (cable analyzer or LAN meter)

1. Tests for open or short circuits and impedance anomalies on coaxial or twisted-pair cables.

2. Measurements of cable length, capacitance, and loop resistance.
3. Measurements of cable attenuation.
4. Tests for cable miswiring such as so-called split pairs.

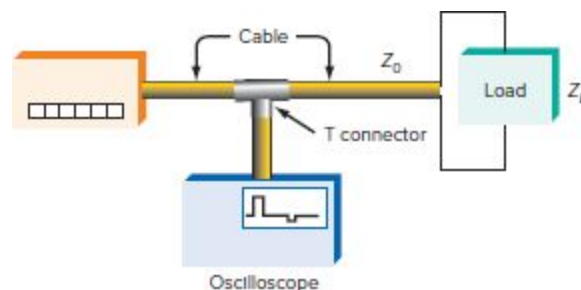
A *split pair* is a wiring error often made when a cable contains multiple twisted-pair lines. One of the wires from one twisted pair is wrongly paired with one wire from another twisted pair.

Split pair

Many tests are based upon time-domain page 865 reflectometry. The TDR technique can be used on any cable or transmission line, such as antenna lines or LAN cables, to determine SWR, short and open circuits, and characteristic impedance mismatches between cable and load. It can even determine the distance to the short or open circuit or to any other glitch anywhere along the line. TDR testing is based upon the presence of standing waves on the line if impedances are not matched.

The basic TDR process is to apply a rectangular pulse to the cable input and to monitor the signal at the input. The test setup is shown in Fig. 23-29. If the load impedance is matched, the pulse will be absorbed by the load and no reflections will occur. However, if there is a short or open circuit or impedance mismatch, a pulse will be reflected from the point of the mismatch.

Figure 23-29 TDR test setup.



Protocol Analyzers. The most sophisticated data communications test equipment is the *protocol analyzer*. Its purpose is to capture and analyze the data transmitted in a particular system. Most data communication systems transmit data in frames or packets that include preamble information such as sync bits or frames, start of header codes, addresses of source and destination, and a finite block of data, followed by error detection codes. A protocol analyzer can capture these frames, analyze them, and tell you whether the system is operating properly. The analyzer will determine the specific protocol being captured and then indicate whether the data transmitted is following the protocol or whether there are errors in transmission or in formatting the frame.

Protocol analyzer

Protocol analyzers contain microcomputers programmed to recognize a wide range of data communication protocols such as Bisync, SDLC, HDLC, Ethernet, SONET, OTN, and other network protocols. These instruments normally cost tens of thousands of dollars and may, in fact, be primarily a computer containing the stored protocols and software that read and store and then compare and analyze the received data so that it can report any differences or errors. Most protocol analyzers have a video display.

Special Test Sets. As communications equipment, especially wireless, has become more complex, it has been necessary to develop special test systems for specific protocols. For example, special test sets have been developed for CDMA, LTE and 5G cell phones, Wi-Fi, and Bluetooth. These test sets combine multiple instruments into a common enclosure along with a computer for control. The instruments include signal generators (synthesizers) operating on the desired frequency bands along with the proper modulation and protocol for a given standard. This

part of the test set permits testing of the receiver. Another section will include a calibrated receiver set up to receive any transmitted signal. An internal computer is programmed to conduct a precise sequence of tests and then to record and analyze the data. Test sets automate the testing procedure and identify those units (cell phones, etc.) that pass or fail the tests. These automated systems usually include internal spectrum analyzers for display of results.

Fiber-Optic Test Equipment and Measurements

page 866

A variety of special instruments are available for testing and measuring fiber-optic systems. The most widely used fiber-optic instruments are the *automatic splicer* and the *optical time-domain reflectometer (OTDR)*.

Automatic splicer

Optical-time-domain reflectometer (OTDR)

Automatic Splicers. Splicing fiber-optic cable is a common occurrence in installing and maintaining fiber-optic systems. This operation can be accomplished with hand tools especially made for cutting, polishing, and splicing the cable. However, as the cable thickness has gotten finer, hand splicing has become more difficult than ever. It is very difficult to align the two cable ends perfectly before the splice is made.

To overcome this problem, a special splicer has been developed by several manufacturers. It provides a way to automatically align the cable ends and splice them. The two cables to be spliced are stripped and cleaved by hand and then placed in the unit. A special mechanism holds the two cable ends close together. Then an optical system with a light source, lenses, and light sensors detects the physical alignment of the two cables, and a servo feedback mechanism drives a motor so that the two cable ends are perfectly centered on each other. An optical viewing screen is provided so that the operator can view the alignment from two directions at 90° to each other.

Once the alignment is perfect, the splicer is activated. The splicer is a pair of probes centered over the junction of the two cable ends. Pressing the "splice" button causes the probes to generate an electric arc hot enough to fuse the two glass cable ends together.

The automatic splicer is very expensive, but it must be used because it is not possible for human beings to make good splices visually and by hand. Handmade splices have high attenuation, whereas minimum attenuation is best achieved with the automatic splicer.

Optical Time-Domain Reflectometer. Another essential instrument for fiber-optic work is the optical TDR, or OTDR. It is an oscilloscopelike device with an LCD display and a built-in microcomputer.

The OTDR works as a standard TDR in that it generates a pulse, in this case, a light pulse, and sends it down a cable to be tested. If there is a break or defect, there is a light reflection, just as there is a reflection on an electric transmission line. The reflection is detected. Internal circuitry measures the time between the transmitted and reflected pulses so that the location of the break or other fault can be calculated and displayed. The OTDR also detects splices, connectors, and other anomalies such as

dents in the cable. The attenuation of each of these irregularities can be determined and displayed.

Optical Signal Analyzer. A newer breed of versatile optical test instrument makes multiple measurements. In addition to providing the OTDR measurement, this unit is a sampling oscilloscope capable of displaying signals of more than 10 Gbps. It can also be used to show eye patterns, optical output power, and jitter.

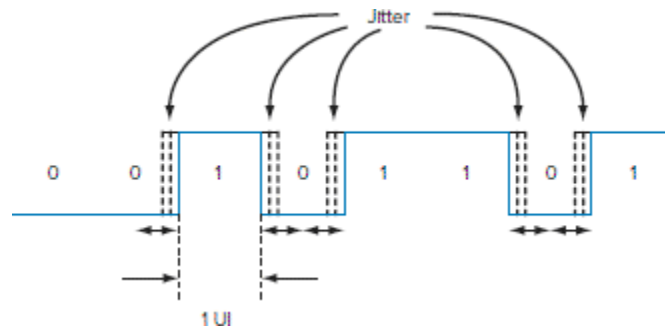
Optical signal analyzer

Jitter is a type of noise that shows up as a time variation of the leading and trailing edges of a binary signal. See Fig. 23-30. It appears as a kind of phase or frequency shift in which the time period for 1 bit is lengthened or shortened at a rapid rate. Jitter shows up on an oscilloscope as a blurring of the 0-to-1 and 1-to-0 transitions of a binary signal. It is not much of a problem at lower data rates, but as data rates go above 1 GHz, jitter becomes more prevalent. On fiber-optic data systems, jitter is a major problem. Furthermore, jitter is difficult to measure. Most optical fiber communication networks such as SONET have jitter specifications that must be met. Therefore, some accurate method of measurement is needed. Some of the newer optical signal analyzers have a jitter measurement capability. Jitter is usually expressed as a percentage of the *unit interval (UI)*. The UI is the bit time of the data signal. For example, a jitter measurement may be 0.01 UI or 10 mUI.

Jitter

unit interval (UI)

Figure 23-30 Jitter on a data signal.



GOOD TO KNOW

Jitter is noise that is a time variation at the beginning and end of a binary signal.

page 867

23-3 Troubleshooting Techniques

Some of the main duties of a communication expert are to troubleshoot, service, and maintain communication equipment. Most communication equipment is relatively reliable and requires little maintenance. However, equipment does fail. Most electronic communication equipment fails because of on-the-job wear and tear. Of course, it is still possible for equipment to fail as the result of component defects. The equipment might fail eventually because of poor design, exceeding of product capabilities, or misapplication. In any case, you must locate such failures and repair them. This is where troubleshooting techniques are valuable. The goal is to find the trouble quickly, solve the problem, and put the equipment back into use as economically as possible.

General Servicing Advice

One of the main decisions you must make in dealing with any kind of electronic equipment is to repair or not to repair. Because of the nature of electronic equipment today, repairing it may not be the fastest and most economical approach.

Assume that you have a defective radio transceiver. One of your options is to send the unit out for repair. Repair rates run anywhere from \$50 per hour to over \$100 per hour depending upon the equipment, the manufacturer, and other factors. If the problem is a difficult one, it may take several hours to locate and repair it. Many communication transceivers are inexpensive units that may cost less to buy new than to repair.

There are two types of repair approaches: (1) replace modules or (2) troubleshoot to the component level and replace individual components. Some electronic equipment is built in sections or modules. The module is, in most cases, a separate PCB containing a portion of the circuitry inside the unit. The typical arrangement might be for the receiver to be on one PCB, the transmitter on another, and the power supply on still another, with another unit such as a tuner or frequency synthesizer also separate. A fast and easy way to troubleshoot and repair a unit is to replace the entire defective module. If you are a manufacturer repairing your own units in volume for customers, or if your organization does many repairs of a similar nature on a particular brand or model of equipment, repair at the component level is the best approach.

Common Problems

Many repairs can be made quickly and easily because they result from problems that occur on a regular basis. Some of the most common problems in communication equipment

are power supply failures, cable and connector failures, and antenna troubles.

Power Supplies. All equipment is powered by page 868 some type of dc power supply. If the power supply doesn't work, the equipment is completely inoperable. Therefore, one of the first things you should do is to check that the power supply is working.

If the unit is used in a fixed location and operates from standard ac power lines, the first test should be to check for ac power and the availability of the correct dc power supply voltages. Is the unit plugged in, and if so, does ac power actually get to the outlet? If ac power is indeed available, check the power supply inside the unit next. These power supplies convert ac power to one or more dc voltages to operate the equipment. Open the equipment and, using the manufacturer's service information, determine the power supply voltages. Then use a multimeter to verify that they are at the correct levels. Most power supplies these days are regulated, and therefore the voltages should be very close to those specified, at least within ± 5 percent. Anything outside that range should be suspect. Any voltages that are obviously quite different from the specified value indicate a power supply problem.

Another common power supply problem is bad batteries. With continuous usage, batteries quickly run down. If primary batteries are used, the batteries must be replaced with new ones. If secondary or rechargeable batteries continue to fail even after short periods of use after charging, it means that they, too, should be replaced. Most rechargeable batteries can be charged and discharged only so many times before they are no longer effective.

Cables and Connectors. Perhaps the most common failure points in any electronic system or equipment are the mechanical components. Connectors and cables are

mechanical and can be a weak link in electronic equipment. Once it has been confirmed that the power supplies are operating correctly in the equipment, the next step is to check the cables and connectors. Start by verifying that the connectors are correctly attached. Another common problem is for the cable attached to the connector to break internally. Most of the time the cable does not break completely, but one or more wires in the cable may be broken while others remain attached.

GOOD TO KNOW

Cables and connectors are a weak link in electronic equipment.

Occasionally connectors get dirty. Removing the connector and cleaning the connections often solve the problem. It may be necessary to replace the connectors to ensure a reliable physical connection, however.

Documentation

Before you begin any serious detailed troubleshooting and repair of communication equipment, be sure that you have all the necessary documentation. This includes the manufacturer's user operation manual and any technical service manuals that you can acquire. Nothing speeds up troubleshooting and repair faster than having all the technical information before you begin. Manufacturers often regularly identify common problems and suggest troubleshooting approaches. But perhaps most important, manufacturers provide specifications as well as measurement data and procedures that are critical to the operation of the equipment. By having this information, you will be able to make the necessary tests, measurements,

and adjustments to ensure that the equipment complies with the specifications.

Troubleshooting Methods

There are two basic approaches to troubleshooting transmitters, receivers, and other equipment: signal tracing and signal injection. Both methods work equally well and may often be used together to isolate a difficult problem.

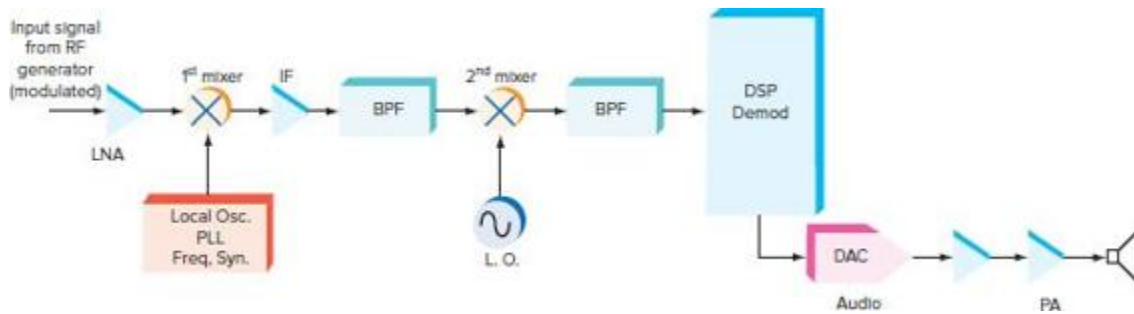
Signal Tracing. A commonly used technique in troubleshooting communications equipment is called *signal tracing*. The idea is to use an oscilloscope or other signal detection device to follow a signal through the various stages of the equipment. As long as the signal is present and of the correct amplitude, the circuits are good. The point at which you lose the signal in the equipment or at which the signal no longer conforms to specifications is the location of the problem.

Signal tracing

To perform signal tracing in a transmitter, you [page 869](#) need some type of monitoring or measuring instrument: an RF voltmeter or an oscilloscope, an RF detector probe on an oscilloscope, a spectrum analyzer, and power meters and frequency counters.

Fig. 23-31 is a block diagram of a dual-conversion communications receiver. To troubleshoot this receiver, you need an RF signal generator to supply a low-level input to the antenna terminals. Modulate the input with an audio signal. Then using an oscilloscope, spectrum analyzer, or other instrument, follow the signal through the various stages of the receiver. This procedure assumes that the power supplies are working and all other circuits get the correct DC voltages.

Figure 23-31 A generic communication receiver.



As a first step, check the output of the local oscillator or frequency synthesizer to verify that a signal is reaching the first mixer. If the input signal passes through the input RF LNA, check the output of the mixer to be sure the correct IF is obtained. Then trace the signal through any IF filters or IF amplifier stages to the second mixer. Be sure the local oscillator is providing a signal to the second mixer. Then test to see if the correct second IF appears at the mixer output.

The demodulator may be a DSP in a modern receiver. Here all you can do is test for a digital output and an output from any DAC. If audio stages are involved, test them next. If you modulated the RF input signal with an audio signal, you may hear the output on the speaker. Otherwise trace the audio signal through any audio and power amplifier stages.

If you encounter a problem, the trouble is probably a bad transistor or IC. Active components such as transistors and ICs fail more often than passive components such as resistors, capacitors, and inductors or transformers. You should verify bias voltages to determine that they are correct; but if they are and the circuit still does not operate, usually there is an open or short-circuited transistor.

Other components may also fail. Capacitors fail more often than any other type of component except the semiconductor devices. Resistors are less likely to fail but can open or change in value. Inductors rarely fail. Delicate,

sensitive components such as crystal, ceramic, and SAW filters can also break. Once you isolate the problem to a particular component, turn off the power, replace the suspected part, and repeat the tests. Continue testing until the receiver works.

Signal Injection. *Signal injection* is somewhat similar to signal tracing. It is normally used with receivers. The process is to use signal generators of the correct output frequency to inject a signal into the various stages of the receiver and to check for the appropriate output response, usually a correct signal in the speaker.

Signal injection

Signal injection is the opposite of signal tracing, for it starts at the speaker or other output and works backward through the receiver from output to antenna. If the output is audio, signal injection begins by testing the audio power output amplifier. You inject a 1-kHz sine wave from an audio oscillator or function generator into the input of the page 870 amplifier. Follow the receiver documentation's information with regard to how much signal should be present at the outputs of each stage. If an audio signal is heard, the speaker and power amplifier are OK. Then inject the audio signal into any other audio amplifier stages back to the demodulator circuit output.

The next injection takes place at the input to the IF amplifier or the second mixer, if the receiver has one. Set the RF signal generator to the IF with appropriate audio modulation. You should hear the audio tone in the speaker. If you do not, check the local-oscillator and IF stages. Do not overlook the demodulator. Keep in mind that you may not actually be able to get to the inputs and outputs of some circuits because they may be contained within an IC. If this is the case, you can restrict the injection to the IC input

while monitoring the output. If you get no output, replace the IC.

GOOD TO KNOW

Testing of communication products is done with special test sets designed to match the specifications and features of the communication standard. Products tested in this way include such items as cell phones, wireless LAN transceivers, and fiber-optic systems.

Next, inject a signal of any higher IF with modulation at the input to the first mixer. You should hear the tone; but if you do not, inspect and test the first IF stages and local oscillator. Finally, test the RF amplifier with a signal at the receive frequency.

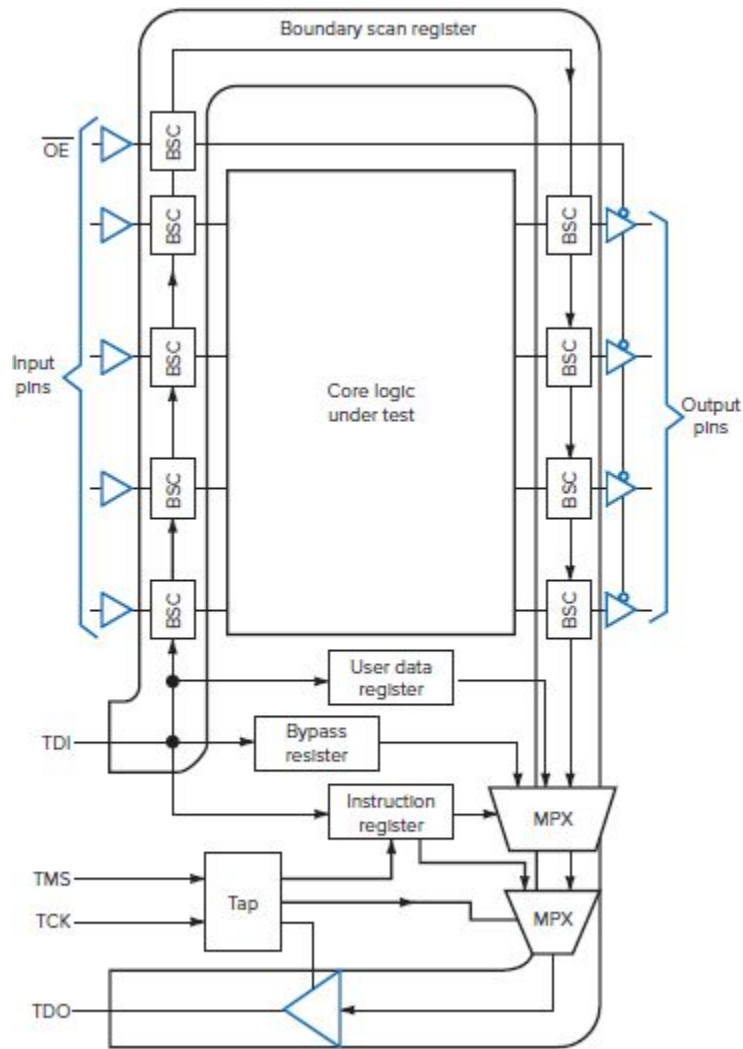
Modern Troubleshooting. Although signal tracing and signal injection are valid troubleshooting approaches, they are more difficult than ever when applied to a modern communications device. Examples are cell phones and wireless LAN transceivers or line cards in a router. These devices use only one or more ICs to implement the entire signal chain. It is not possible to access the internal circuits of the chips, making the procedures described previously impossible, if not more difficult. These techniques have limited use in such highly integrated devices, although the principles are still valid.

Boundary Scan and the JTAG Standard. Modern networking and communications equipment is made up primarily of digital ICs. These are large-scale devices made for surface mounting on a printed-circuit board (PCB). It is difficult and sometimes not possible to access the pins on an IC, making signal tracing or injection worthless in troubleshooting. Realizing this, IC designers eventually figured out a way not only to test the chip after it is made

and packaged, but also to test the equipment built with these chips. This method is called boundary scan.

The purpose of boundary scan is to provide a way to observe test points inside the chip that are not normally accessible and to observe signals at IC pins inaccessible because of their surface mounting on a PCB. And it provides a way to apply test signals to selected points in the circuit and then to monitor the results. Fig. 23-32 shows the boundary scan circuitry that is built into many complex ICs. The logic circuitry to be tested is in the center and referred to as core logic. Surrounding the core is a series of boundary scan cells (BSCs). Each BSC is made up of a pair of flip-flops and some multiplexers that can receive inputs and store them or output their contents when interrogated. The BSC flip-flops are also connected to form a large shift register, the boundary scan register. This register provides the basic storage unit for inputting and outputting data. The input and output are serial. Serial data can be input to the register via the TDI line. Data stored in the register can be read out serially by monitoring the TDO line. An external clock signal TCK and a test mode select (TMS) signal control the serial data speed through the test access port (TAP) controller. The function of the boundary scan circuitry is determined by a binary-coded instruction that is entered serially.

Figure 23-32 The boundary scan circuitry is built into the IC.



Note: The boundary scan register is shifted TDI to TDO.

To read the data in at the internally monitored points, the boundary scan circuits are fed a serial instruction called **INTEST**. This is stored in the instruction register and decoded. The internal circuits are then configured by the logic to read the data from the core logic and store it in the BSCs. The data in the boundary scan register is then shifted out and read serially. This serial data is generally sent to a computer where a program uses it to determine if the results are correct.

Other instructions may also be entered to control the various functions. A **SAMPLE/PRELOAD** instruction is used to set the core logic to some desired state before a test is run.

The CLAMP instruction can also be used to set the core logic levels to some predetermined pattern. The RUNBIST instruction causes a predetermined, built-in self-test (BIST) to be executed.

The boundary scan circuitry and its operation [page 871](#) have been standardized by the Institute of Electrical and Electronics Engineers (IEEE) and is designated as the Joint Test Action Group (JTAG) 1149.1 standard. Most large complex ICs now contain a JTAG interface and internal circuitry. It is used to test the chip. Then later it may be used by the equipment manufacturer as a way to implement a larger test program for the equipment. Because a computer is programmed to use the JTAG interface, most testing and troubleshooting can be automated. An engineer or a technician can actually sit in front of a computer, running the test software and exercise and test the equipment and monitor the results.

23-4 Electromagnetic Interference Testing

A growing problem in electronic communication is *electromagnetic interference (EMI)*. Also known in earlier years as *radio-frequency interference (RFI)* and *TV interference (TVI)*, now EMI is defined as any interference to a communication device by any other electronic device. Since all electronic circuits and equipment emit some form of EMI, they are potentially sources of interference [page 872](#) with sensitive communication devices such as cell phones, cordless phones, radio and TV sets, and wireless LANs. As the number of computers has increased and as more and more cell phones and other wireless devices have come into use, the EMI problem has become a major one.

The problem is so great that the FCC has created interference standards that must be met by all electronic devices. Before any electronic equipment can be sold and used, it must be tested and certified by the FCC to ensure that it does not emit radiation in excess of the allowed amount. Such strict rules and regulations have made design and manufacturing more difficult and have increased the cost of electronic products. But the result has been fewer interference problems between electronic products and a reduction in disruption of their use.

Electromagnetic interference (EMI)

Radio-frequency interference (RFI)

TV interference (TVI)

Today, a large part of the work of a communication technician or engineer is EMI testing and EMI minimization in products. This section briefly describes EMI, its sources, common techniques for reducing EMI, and EMI testing procedures.

Sources of Electromagnetic Interference

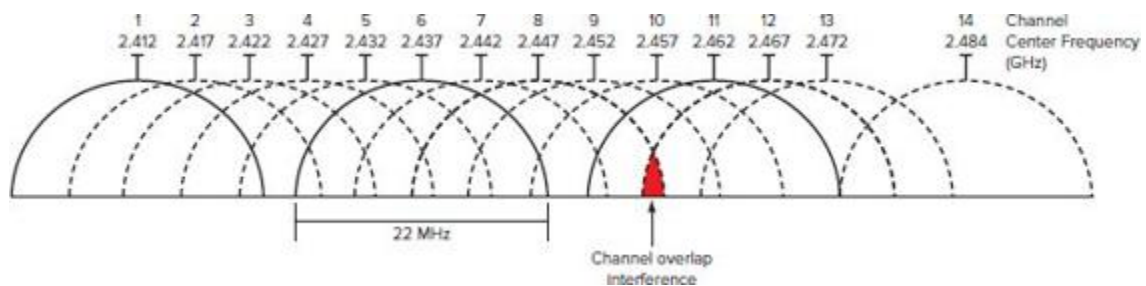
Any radio transmitter is a source of EMI. Although transmitters are assigned to a specific frequency or band, they can nevertheless cause interference because of the harmonics, intermodulation products, or spurious signals they produce.

GOOD TO KNOW

The local oscillator of a receiver can be a source of electromagnetic interference.

A major cause of EMI is one wireless device interfering with another. A good example of this is interference between devices operating in the 2.4-GHz band. Many wireless devices and systems use this license-free industrial, scientific, and medical (ISM) band. Some of the more common interference sources and victims are Wi-Fi WLAN access points and routers. While there are 14 channels defined from 2.412 to 2.484 GHz, these channels are 22-MHZ wide and overlap one another except for channels 1, 6, and 11. (Refer to Fig. 23-33.) When an AP or router is seeking a channel to operate on, it may select one that is next to a channel that is already in use. The two channels are both affected with interference. The performance of one or both of the devices trying to communicate will be degraded. In fact, neither may work at all.

Figure 23-33 Overlapping Wi-Fi channels are often a source of EMI.



Other wireless services that also use the 2.4-GHz band are Bluetooth and ZigBee. Even some cordless phones and remote-control radios for drones work in this band. Then think of the EMI generated by the dozens or even hundreds of devices using Wi-Fi for sensors and actuators in a big Industrial Internet of Things (IIoT) application. The point is, there are lots of wireless devices and not so much spectrum to accommodate them. So EMI is going to occur.

Receivers are also a source of EMI. A local oscillator or frequency synthesizer generates low-level signals that, if not minimized, can interfere with nearby equipment.

Almost all other electronic devices can also generate EMI. Perhaps the worst offenders are computers. Computers contain millions of logic circuits that switch off and on at rates up to and in excess of 2 GHz. Because of the short pulses with fast rise and fall times that are generated, these circuits naturally generate a massive number of harmonics. The problem is so severe that computer manufacturers must comply with some of the FCC's toughest EMI page 873 reduction rules. Computer manufacturers use every trick in the book to get the radiation level down to the FCC specifications.

Of course, any electronic equipment that uses an embedded microcontroller, which today is almost every electronic device, is a potential source of EMI.

Another major source of EMI is switching power supplies. More than 80 percent of all power supplies in use today are of the switching variety, and this percentage is increasing. Power supplies that use switching regulators generate very high levels of pulse energy and radiate many high-amplitude harmonics. Inverters (dc-to-ac converters) in uninterruptible power supplies (UPS) and dc-to-dc converters also use switching methods and therefore produce harmonics and radiation.

The 60-Hz power line is another source of interference. Electrical transient pulses caused by high-power motors and other equipment turning off or on can disrupt computer operation or create a type of noise for communication equipment. Just the large magnetic and electric fields produced by the ubiquitous power lines can cause hum in stereo amplifiers, noise in sensitive medical equipment, and interference in communication receivers.

Another form of EMI is *electrostatic discharge (ESD)*. This is the dissipation of a large static electric field. Lightning is the perfect example. The huge pulse of current produced by lightning generates an enormous number of harmonics that show up as noise in radio receivers. Anyplace where static

buildup occurs can produce ESD, which not only can destroy integrated circuits and transistors but also can generate pulses that manifest themselves as noise in a receiver.

Electrostatic discharge (ESD)

EMI is transmitted between electronic devices by several means. Interfering signals may travel by way of electromagnetic radiation (radio) from one unit to another. EMI may also be passed along by inductive or capacitive coupling when two units are close to each other. Cross talk on adjacent cables is an example. And interfering signals may be passed along from one piece of equipment to another by way of the ac power line that both use as the main power source.

Reduction of Electromagnetic Interference

The three basic techniques for reducing the level of EMI are grounding, shielding, and filtering. All these methods are used in the design of new equipment as well as in reducing EMI in applications in which the equipment is already deployed. Here is a brief summary of the techniques most often used.

Grounding. A poor electrical ground often causes EMI. As you know, a *ground* is the common reference point for most, if not all, voltages in a circuit. This ground shows up in many different physical forms. It may be a metal chassis or rack, the metal frame of a building, or water pipes. The best ground is an earth ground formed when a long copper rod is driven into the ground. Inside the equipment, the ground is formed on the PCBs on which the components are mounted. The ground is usually a wide copper strip or in some cases a broad copper ground plane formed on one side of the PCB.

Ground

In the design of equipment, especially RF circuits, the ground is a key consideration. Much care is taken in forming it, routing it, and connecting to it. Short, wide, and very low-resistance connections are the best. In equipment that uses both analog (linear) and digital circuits, separate grounding paths are usually formed for each type of circuit. This helps minimize interference to the sensitive analog circuits by the noisier digital circuits. The two ground systems are eventually connected, of course, but at only one point in the equipment.

Circuit grounds in equipment are in place and cannot be changed. But it is possible for the grounding connections of different pieces of equipment in a system to cause some form of EMI. Many times, the EMI can be eliminated or greatly reduced by simply experimenting with different ground arrangements. These are some useful guidelines:

1. If a piece of equipment does not have a ground, add one. A connection to a large common ground is preferred, especially one connected to earth ground.
2. Ground connections should always be kept as short as possible. Ground wires should be no longer than $\lambda/4$ at the highest frequency of operation.
3. Ground cables should be large and have low resistance. Stranded copper wire of a size greater than AWG 10 is preferred. The size should be greater if the ground carries a large current. Copper braid as wide as practical also makes a good ground connection.
4. If multiple pieces of equipment are involved and signals are passed from one unit to another, ground loops may exist. A *ground loop* is formed when multiple circuits or pieces of equipment are connected to a common ground but at different points. See Fig. 23-34. Current flow in the

ground connection can produce a voltage drop across a part of the ground. That voltage then shows up in series, with the very small signals at the inputs to other circuits or equipment causing interference. Ground loops are eliminated by connecting all circuits or equipment to a single point on the common ground. See Fig. 23-35.

5. EMI is often caused by the incorrect connection of coaxial cable shields. The shield braid may be broken or open at one of the connectors. In some applications, grounding only one end of the shield instead of at both ends of the cable reduces EMI. This is also true of any shielded wire. Experimentation with the cable shields and grounds can often reduce EMI.
6. Remember that all ac power connections have a ground associated with them. In two-wire ac connections, the neutral wire is grounded at the entry point of the alternating current. In three-wire systems, the third wire is also a ground used primarily for safety purposes. However, the lack of a third ground can also cause interference. Adding the third ground wire often solves EMI problems.

Ground loop

Figure 23-34 Grounds are not perfect short circuits, especially at high frequencies, where skin effect makes the resistance higher and permits ground loops to form.

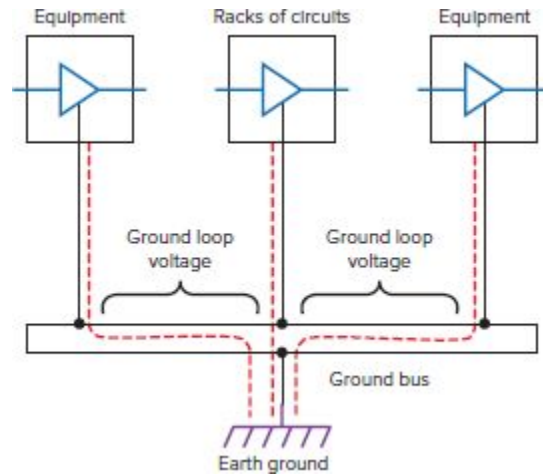
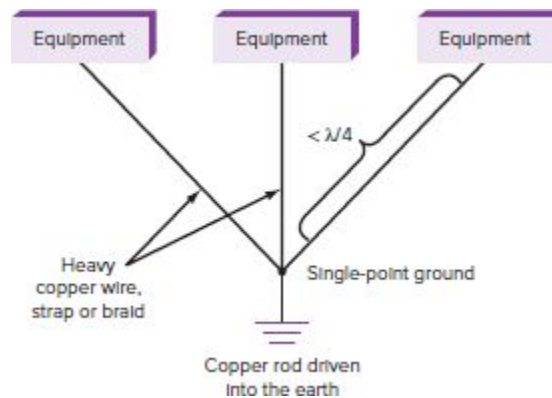


Figure 23-35 Single-point grounds are best because they minimize the formation of ground loops.



Shielding. *Shielding* is the process of surrounding [page 875](#) EMI-emitting circuits or sensitive receiving circuits with a metal enclosure to prevent the radiation or pickup of signals. Often, just placing a metal plate between circuits or pieces of equipment to block radiation is sufficient to reduce or eliminate EMI. The metal reflects any radiated signals and can actually absorb some of the radiated energy.

Shielding

Almost all communication equipment is made with extensive use of shielding. Oscillators and frequency synthesizers are almost always packaged in a shielded can or enclosure. Individual transmitter or receiver stages are

often shielded from one another with blocking plates or completely surrounding enclosures. Switching power supplies are always shielded in their own enclosure. Just remember that when shielding is used, ventilation holes are usually necessary to release any heat produced by the circuits being shielded. These holes must be as small as possible. If the holes have a diameter that is near $\lambda/2$ of the signals being used, the holes can act as slot antennas and radiate the signals more effectively. Good initial design prevents this problem.

In some cases, RF signals leak from shielded enclosures where the various panels of metal come together. A continuous shield is the most effective, but most shielded boxes must have a removable panel or two to permit assembly and repair access. If the panels are not securely mated with a low-resistance contact, RF will leak out of the opening. Securely attaching panels with multiple screws and making sure that the metal is not dirty or oxidized will solve this problem. If not, special flexible metal seals have been designed to attach to enclosures and panels that must mate with one another. These seals will eliminate the leakage.

Finally, radiation EMI can sometimes be reduced in a larger system by moving the equipment around. By placing the offending units farther apart, the problem can be eliminated or at least minimized. Remember that the strength of a radiated signal varies as the square of the distance between the transmitting and receiving circuits. Even a short-distance move is all that may be needed to reduce the interference to an acceptable level.

Filtering. The third method of EMI reduction is *filtering*. Filters allow desired signals to pass and undesired signals to be significantly reduced in level. Filters are not much help in curing radiation or signal coupling problems, but they are a very effective way to deal with conducted EMI, interference that is passed from one circuit or piece of equipment to

another by actual physical conduction over a cable or other connection.

Filtering

Some types of filters used in reducing EMI include:

1. Bypass and decoupling circuits or components used on the dc power supply lines inside the equipment. Typical decoupling circuits are shown in Fig. 23-36. Instead of using a physical inductor (usually called a *radio-frequency choke*, or *RFC*) in series with the dc line, small cylindrical ferrite beads can be placed over a wire conductor to form a small inductance. These beads are widely used in high-frequency equipment. The bypass capacitors must have a very low impedance, even for RF signals; i.e., ceramic or mica capacitors must be used. Any plastic dielectric or electrolytic capacitors used for decoupling must be accompanied by a parallel ceramic or mica to make the filtering effective at the higher frequencies.
2. High- or low-pass filters used at the inputs and outputs of the equipment. A common example is the low-pass filter that is placed at the output on most transmitters to reduce harmonics in the output.
3. ac power line filters. These are low-pass filters placed at the ac input to the equipment power supplies to remove any high-frequency components that may pass into or out of equipment connected to a common power line. Fig. 23-37 shows a common ac power line filter that is now built into almost all types of electronic equipment, especially computers and any equipment using sensitive high-gain amplifiers (medical, stereo sound, industrial measuring equipment, communications receivers, etc.).
4. Filters on cables. By wrapping several turns of a cable around a toroid core, as shown in Fig. 23-38, interfering signals produced by inductive or capacitive coupling can

be reduced. Any common-mode signals induce voltages into the core, where they are canceled out. This approach works on ac power cords or any signal-carrying cable.

Radio-frequency choke (RFC)

Figure 23-36 Decoupling circuits are low-pass filters that keep high-frequency signals out of the power supply.

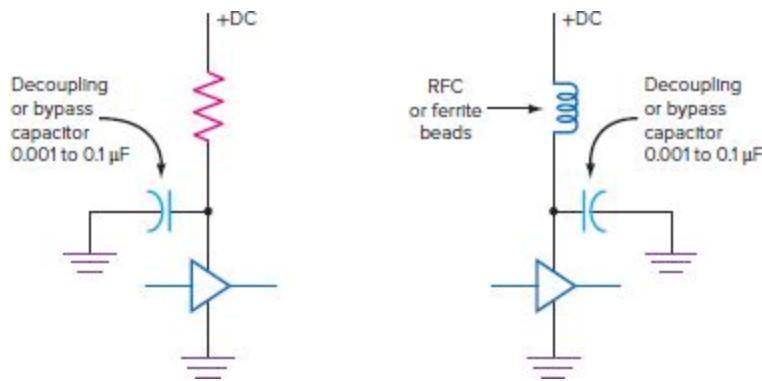


Figure 23-37 Alternating-current power line filter works both ways, removing high-frequency signals on input and output.

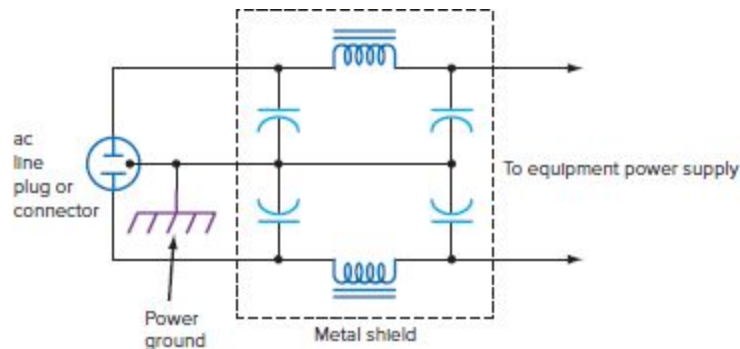
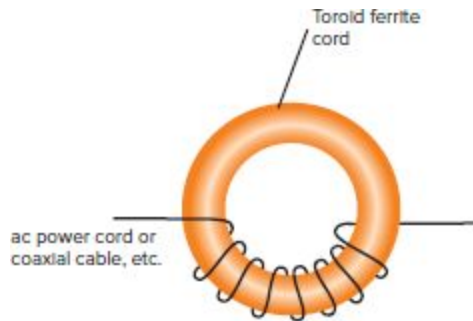


Figure 23-38 A toroid core cancels common-mode signals picked up by radiation or through capacitive or inductive coupling.



Measurement of Electromagnetic Interference

The rules and regulations pertaining to EMI are given in the Code of Federal Regulations, Title 47, Parts 15 and 18. Anyone working in the communication field should have copies of the code, which can be obtained from the [page 877](#) Government Printing Office. Essentially these guidelines state the maximum signal strength levels permitted for certain types of equipment. The accepted levels of radiation vary considerably depending upon the type of equipment, the environment in which it is used, and the frequency range. The FCC also distinguishes between intentional radiators such as wireless LANs and other wireless units and unintentional radiators such as computers.

Radiation is measured with a field strength meter. It may be a simple device, as described earlier in this chapter, or a sensitive broadband communication receiver with a calibrated antenna. In either case, the measurement unit is microvolts per meter ($\mu\text{V/m}$). This is the amount of received signal picked up by an antenna 1 m long at some specified distance.

GOOD TO KNOW

Radiation is measured with a field strength meter in units of microvolts per meter ($\mu\text{V}/\text{m}$).

Consider the FCC regulations for a computer. Conducted EMI must not exceed over the frequency range of 450 kHz to 30 MHz on the ac power line. Radiated emissions may not exceed a specific field strength level at a given distance for specified frequency ranges. The measurement distance is either 3 or 10 ft. At 10 ft the received signal strength may not exceed

100 $\mu\text{V}/\text{m}$ between 30 and 88 MHz

150 $\mu\text{V}/\text{m}$ between 88 and 216 MHz

200 $\mu\text{V}/\text{m}$ between 216 and 960 MHz

500 $\mu\text{V}/\text{m}$ above 960 MHz

Several manufacturers make complete EMI test systems that are sophisticated field strength meters or special receivers with matched antennas that are used to “sniff out” EMI. Portable or handheld spectrum analyzers with a highly directional antenna are great for finding offending equipment or sites and identifying the interference by its frequency and related factors like sideband width. Some units have inductive or capacitive accessory probes that are designed to pick up magnetic or electric fields radiated from equipment. These probes are good for finding radiation leaks in shielded enclosures, connectors, or cables. The antennas are directional so that they can be scanned around an area or a piece of equipment to help pinpoint the radiation source and its frequency. Once the nature of the radiation is determined, grounding, shielding, or filtering steps can be taken to eliminate it.

Keysight’s two-port PXI VNA modules in a test station enables powerful device characterization without expanding system height or footprint.



©Keysight Technologies. All Rights Reserved

page 878

CHAPTER REVIEW

Online Activity

23-1 Test Equipment Suppliers

Objective: Become familiar with the largest and most popular communications test instrument manufacturers.

Procedure:

1. Search on the terms *RF test equipment*, *microwave test instruments*, communications instruments, or similar terms. Explore the available applications notes, data sheets, tutorials, white papers and other references.

Questions:

1. List five prominent RF test instrument companies.
2. List at least two references that you would download to learn more.
3. What is a PXI module?

Questions

1. What is the most important specification of an ac voltmeter for measuring radio-frequency voltages?
2. What is a digital oscilloscope? Name the major sections of a DSO, and describe how they work.
3. What kind of resistors must be used in a dummy load?
4. Name two common types of SWR meters.
5. Name two common power-measuring circuits.
6. Show how the SWR can be determined from power measurements.
7. What is the name of the versatile generator that generates sine, square, and triangular waves?
8. How is the output level of an RF generator controlled?
9. What is the typical output impedance of an RF generator?
10. What cautions should you take and what guidelines should you follow when connecting measuring instruments to the equipment being tested? Why should you allow an RF generator to warm up before using it?
11. What is a sweep generator, and how does it work?
12. Name two applications for a sweep generator.
13. How is the output of the circuit being tested with a sweep generator detected and displayed?
14. Name the six main sections of a frequency counter.
15. Explain how a vector signal generator works.
16. What is a network analyzer? How is it used?
17. What is displayed on the output of a spectrum analyzer? Explain.

- 18.** State the function of a field strength meter. What is its circuit?
- 19.** Name the four most common transmitter tests.
- 20.** What is a vector signal analyzer? Name two common outputs.
- 21.** What kind of test instrument is best for detecting the presence of harmonics and spurious radiation from a transmitter?
- 22.** Generally, what level of SWR should not be exceeded in normal operation?
- 23.** What does *SINAD* mean?
- 24.** What does the receiver blocking test determine?
- 25.** What does the third-order intercept test in a receiver measure?
- 26.** What does an eye pattern show?
- 27.** What does a “closing eye” usually indicate about the medium or circuit being tested?
- 28.** Explain how an excessively noisy binary bit stream appears in an eye diagram.
- 29.** What kind of instrument is used for bit error rate testing?
- 30.** Describe the basic process of bit error rate testing.
- 31.** What is a protocol analyzer? How does it display its results?
- 32.** What types of components are most likely to fail in communication equipment?
- 33.** What circuits should be tested first before any troubleshooting is initiated?
- 34.** Besides the right test equipment, what should you have on hand before you attempt to service or troubleshoot any kind of communication equipment?
- 35.** Name two ways in which an antenna may be defective.
- 36.** Name the two basic types of troubleshooting methods used with communication equipment. Which is more likely to be used on receivers? Transmitters?

- 37.** What test instruments are needed to carry out the two troubleshooting methods given above?
- 38.** Name four measurements often made in fiber-optic systems.
- 39.** In what type of equipment and in what frequency range is jitter a problem?
- 40.** What is jitter?
- 41.** What is the common unit for jitter measurement?
- 42.** Why are large-scale ICs difficult to test by signal injection and tracing?
- 43.** What is the name of the internal circuitry built into many large-scale ICs for test purposes?
- 44.** By what circuit is the test data entered or accessed?
- 45.** How is data entered and monitored with built-in test circuits?

- 46.** What controls the function of the test circuits? page 879
- 47.** Name the standard of this test method.
- 48.** Define EMI.
- 49.** Who mandates EMI control?
- 50.** How can receivers be a source of EMI?
- 51.** How can a power supply be an EMI source?
- 52.** Explain the role of the 60-Hz ac power line in EMI.
- 53.** Name three ways by which EMI is transmitted.
- 54.** What is the most common source of EMI?
- 55.** List the three techniques used to reduce EMI.
- 56.** What is considered the ground on a PCB?
- 57.** What is the best type of ground?
- 58.** What is a ground loop? What causes it?
- 59.** How are ground loop problems eliminated?
- 60.** State the conductor requirements for a good ground.
- 61.** How does shielding minimize EMI?
- 62.** What can be done to prevent radiation leakage from a shield?
- 63.** What is the effect of power supply decoupling circuits on EMI?

64. What can be used in place of an RFC in a decoupling circuit?
65. Explain what ac power line filters do.
66. What type of interference does a toroid core deal with most effectively?
67. Where can rules and regulations for EMI be found?
68. Name two types of EMI radiation testing equipment.
69. What is the basic measuring unit for radiated EMI? What does it mean?
70. What components in an EMI test system allow you to pinpoint the source of radiation?
71. What does a VNA measure?
72. Briefly explain the operation of a VNA.
73. How are the reflected signals detected?
74. What is an S-parameter?
75. How are transmission line tests related to S-parameters?

Problems

1. Explain the theory behind the operation of an arbitrary waveform generator. What is its main limitation? ◆
2. Explain the operation of a superheterodyne spectrum analyzer. What determines the resolution of the analyzer?
3. A noise test is performed on a receiver. Where is the noise measured? The spacing between the two horizontal lines on the oscilloscope screen is 2.3 divisions. The vertical sensitivity calibration is 20 mV per division. What is the noise level? (Use the procedure described in the text.) ◆
4. In Fig. 23-31, the output of the second mixer is missing. What components are most likely defective? ◆
5. A small radio transmitter puts out 5 W of forward power but produces 1 W of reflected power. What is the

SWR?

◆ *Answers to Selected Problems follow Chap. 23.*

Critical Thinking

1. State two benefits of DSOs over analog oscilloscopes.
2. How do you lower the SWR if it is too high?
3. A handheld cellular telephone worth approximately \$800, consumer retail price, was obtained free when the cellular service was first initiated. It does not work. A call to the dealer indicates that this model can be repaired, but the labor rate is \$100 per hour, and most repairs require a minimum of 2 h to fix. Parts charges are extra. Should you have the telephone fixed, or should you buy a new one? Give your reasons for the decision you make.
4. Give three examples of how household appliances could produce EMI and the electronic equipment they may interfere with.
5. State the potential for CB radios, FM family radios, and amateur radio equipment to interfere with other household electronic equipment.
6. Can the JTAG system test analog/RF circuits?

Answers to Selected Problems

CHAPTER 1

1-1. 7.5 MHz, 60 MHz, 3750 MHz, or 3.75 GHz

1-3. In radar and satellites

CHAPTER 2

2-1. 50,000

2-3. 30,357

2-5. 5.4, 0.4074

2-7. 14 dB

2-9. 37 dBm

CHAPTER 3

3-1. $m = (V_{\max} - V_{\min}) / (V_{\max} + V_{\min})$

3-3. 100 percent

3-5. 80 percent

3-7. 3896 kHz, 3904 kHz; BW = 8 kHz

3-9. 800 W

CHAPTER 4

4-1. 28.8 W, 14.4 W

4-3. 200 μ V

CHAPTER 5

5-1. $m_f = 12 \text{ kHz} / 2 \text{ kHz} = 6$

5-5. -0.1

5-7. 8.57

5-9. 3750 Ω , 3600 or 3900 Ω (EIA)

CHAPTER 6

6-1. 1.29 MHz

6-3. 3141.4 Hz or ± 1570.7 Hz at 4000-Hz modulating frequency

CHAPTER 7

7-1. 7 MHz

7-3. 8 kHz - 5 kHz = 3 kHz

7-5. 92.06 dB

CHAPTER 8

8-1. 206.4 MHz

8-3. 25.005 MHz

8-5. 1627

8-7. 132 MHz, 50 kHz

8-11. 72 W

CHAPTER 9

9-1. 6 kHz

9-3. 18.06 and 17.94 MHz

9-5. 2.4

9-7. 46 MHz

9-9. 27, 162, 189, and 351 MHz

CHAPTER 10

10-1. ASCII

10-3. 69.44 μS

10-5. 60 kbps

10-7. 139.475 Mbps

10-9. 8×10^{-6}

CHAPTER 11

11-1. 133

11-3. T1: Bit rate 1.544 MHz, 24 channels

T3: Bit rate 44.736 MHz, 672 channels

CHAPTER 12

12-1. 300 kHz

12-2. 72 MHz, IF = 0

CHAPTER 13

13-1. 0.857 m

13-3. 100 percent

13-5. 80 percent

13-7. 4.02 ft

13-9. 1.325 nS

CHAPTER 14

14-1. 100 Mbps; $t = 1/100 \times 10^6 = 0.01 \times 10^{-6} = 0.01 \mu\text{S}$
= 10 nS.

CHAPTER 15

15-1. 30.003 kHz

15-2. 2.083 ns

CHAPTER 16

16-1. 0.1 wavelength = 20 Ω 0.3 wavelength = 90 Ω (see Fig. 16-11)

16-3. $468/27 = 17.333$ MHz, 520 kHz to 1.04 MHz

16-5. 75- Ω coaxial cable (50-ohm cable is also used)

16-7. 1.822 ft

16-9. 1.65 ft

CHAPTER 17

17-2. 1.06 μS

17-3. Binary: 11011110100110110000100000010001

Hex: DE9B0811

17-5. 64 octets, 128 bits

CHAPTER 18

18-1. 22.2 percent, 0.01 percent

18-3. 0.632 in

18-5. 50 mW

18-7. 8.43 in

18-9. Gain = 960,000 or 59.82 dB; beamwidth = 0.145°

CHAPTER 19

19-1. Zero degrees (equator), 90° (polar)

19-3. The TC&C system is used to fire small hydrazine thrusters that move the satellite in one of several directions.

19-5. Satellite position information is transmitted as part of the NAV-msg 1500-bit message containing ephemeris and timing information. The data rate is 50 bps.

CHAPTER 20

20-1. 300,000,000 m/s, 186,000 mi/s

20-3. See Fig. 20-8 and the related text.

20-5. 12 percent

20-7. 9.6 km

20-9. 100 MHz, 200 MHz

CHAPTER 21

21-1. Spectral efficiency is data rate divided by bandwidth: $2.4 \text{ Mbps}/1.5 \text{ MHz} = 1.6 \text{ bits/Hz}$.

CHAPTER 22

22-2. 16.67 GHz

CHAPTER 23

- 23-1.** An arbitrary waveform generator uses digital techniques to generate a wave of any shape by storing binary samples in a memory and outputting them through a digital-to-analog converter and filter. Primary limitation is that the maximum frequency is about 1 GHz.
- 23-3.** Noise is measured across a dummy resistive load replacing the speaker. 23 mV rms
- 23-4.** The 2nd mixer or its local oscillator.

Recommended Books

As you study communications, you may want additional information to explore the subject in more depth or just to get a different perspective. As an instructor, you may want more background and depth to your lectures and other class activities.

Here is a list of books that I use and recommend for you.

- 1.** American Radio Relay League (ARRL), Newington, CT, *Handbook for Radio Communications*, 2020 or the latest edition. This comprehensive handbook has been updated and published since the early 1900s. It covers electronic and communications fundamentals. It is revised every year so is up to date. Its emphasis is ham radio, of course, but contains a great deal of general wireless knowledge.
- 2.** Dowla, Farid, Editor, *Handbook of RF and Wireless Technologies*, Newnes/Elsevier, 2004. Covers a wide range of radio-related subjects in succinct form.
- 3.** Federal Communications, *Code of Federal Regulations (CFR) 47, Parts 00 to 99*. A set of books that covers the federal rules and regulations about wireless. Every comm engineer and technician should have this collection. Essential material is covered in Parts 15 and 18 regarding testing to minimize EMI. Order a set online from the Government Printing Office.

- 4.** Frenzel, Louis, *Contemporary Electronics: Fundamentals, Devices, Circuits and Systems*, McGraw Hill, 2014. An up-to-date basic electronics book for reference, this is about as good as any. An applications and systems approach.
- 5.** Frenzel, Louis, *Handbook of Serial Communications Interfaces*, Newnes/Elsevier, 2016. Comprehensive coverage of both wired and wireless communications standards, interfaces, and protocols.
- 6.** Goldsmith, Andrea, *Wireless Communications*, Cambridge University Press, 2005. A good comm book, heavy on the math.
- 7.** Hagen, Jon B., *Radio-Frequency Electronics Circuits and Applications*, Cambridge University Press, 1999. A good summary of all the key circuits and technologies.
- 8.** Horowitz, P., and W. Hill, *The Art of Electronics*, 3rd ed., Cambridge University Press, 2015. An excellent reference book. Limited communications information but good coverage of general electronic circuits.
- 9.** Multiple authors, *Communications Engineering Desk Reference*, Academic Press/ Elsevier, 2009. Short and to the point, as a reference should be.
- 10.** Mesiya, M. F., *Contemporary Communications Systems*, McGraw Hill, 2013. Good depth with extensive math.
- 11.** Razavi, Behzad, *RF Microelectronics*, Prentice Hall PTR, 1998. Terrific coverage of all the current theory and circuits in a concise format.
- 12.** Spurgeon, C. E. and Joann Zimmerman, *Ethernet: The Definitive Guide*, O'Reilly Media Inc., 2014.

All of these are available for order online. As a reminder, communications technology changes fast. So be sure you get the latest edition.

Personal Radio Services

All of you have experienced AM and FM broadcasts. Maybe even some of you have the Sirius XM satellite radio service. Just so you know, there is lots more to radio than that. If you wish to learn about two-way radio communications and other forms of radio, there are all sorts of opportunities. Here is a list of ideas for projects that will let you experience how the various types of radios work.

1. DXing on the AM band. The propagation of AM radio signals in the 535-kHz to 1705-kHz range varies greatly from day to night. During the day, the signals are only ground waves so the broadcast range is short, up to about 100 miles. However, at night, the lower ionization layers go away and sky wave activity takes place, greatly extending the range of a station. Signals refracted by the upper layers of ionization produce long skips of the signal so that it travels a long distance.

AM radio DXing means listening to hear distance (DX) stations. Tuning the dial of an AM radio at night to see if you can hear very distant stations is a real experience. The secret to doing this successfully is having a very good radio (good sensitivity and selectivity) and some kind of long wire antenna. Radios made by C. Crane, Sangean, or Grundig/Eaton are good for this.

2. DXing the FM band. This is another listening project, but on the FM broadcast band is from 88 to 108 MHz. This is a VHF band so range is much less. Most signals

travel in a line-of-sight path. However, long ranges are sometimes possible depending on the conditions of the band. A superior FM radio (good sensitivity and selectivity) is needed. And you definitely need a good antenna. You can build a simple folded dipole (Fig. 16-18) for the middle of the band (98 MHz). Again, you will be amazed at the remote stations you can hear especially at night. Rotate the antenna by hand to see how the signals increase when the dipole is broadside to the direction of the signal coming in or how they get weaker and are nulled out as the end of the antenna points at the station.

3. **SWL.** This means shortwave listening. You need a radio that covers the shortwave bands from about 5 MHz to 25 MHz. You will also need a good antenna such as a long wire. Reception is best at night. You can usually hear stations from around the world.
4. **Ham radio.** While you are using your shortwave radio, look in on the ham bands and listen for SSB voice communications. You may also be able to hear some CW. Look up the ham frequencies on the ARRL website: www.arrl.org/graphical-frequency-allocations. Check the frequency blocks for voice operation.
5. **Experience Citizens Band (CB) radio.** CB has been around for about 60 years and is still used. A CB radio is one that operates in the 27-MHz range with 40 specific channels. Modulation is AM, but SSB units are available. This is license-free two-way radio. The range is short, maybe up to a few miles max. You can buy a relatively inexpensive CB radio but will need an outside antenna to do any good. The main use is still mainly by truckers. If you live near a busy interstate highway you will probably hear some trucker talk. Most state highway patrol officers also monitor their CB radio to help those with road problems. Channel 9 is the emergency calling channel while channel 19 is another popular place to pick

up a conversation. The protocol for communications is to make contact and then exchange information on weather, road conditions, traffic problems, radar traps, location, and maybe some basic personal stuff like name or “handle.”

- 6. Family Radio Service (FRS).** This is another page 886 license-free radio service for personal communications. It uses small handie talkies (HTs) with FM on the 467-MHz band. You can buy a pair of these small radios for less than \$50. Lots of vendors sell them, but a typical manufacturer is Motorola. Although these units look like toys, they are the real thing. Once you get a pair you can experiment with them. Range is only about a mile or two max. A good experiment is to check out the maximum range. These are great for person-to-person talk between two cars, in a spread-out mall or other large venue, or just playing around with the kids.
- 7. Multi-Use Radio Service (MURS).** This is another license-free two-way radio service open to public use. It uses FM in the same bands as FRS. The big difference is that you can buy and use more powerful radios for greater range.

A Comprehensive Final Exam in Electronics and Communications Fundamentals

How much do you really know about electronic fundamentals and communications technology? If you want to find out on your own, here is my recommendation for testing yourself. The Federal Communications Commission (FCC) issues licenses to some individuals who are required to have them. The main license is the General Radiotelephone Operators License (GROL). To get this license, you need to pass two exams: one covering the FCC rules and regulations (Element 1) as well as one covering the fundamentals of electronics and radio communications (Element 3).

To help individuals prepare for these exams, the FCC offers an extensive pool of typical exam questions. These questions in multiple-choice format cover the full range of electronic fundamentals as well as the complete field of wireless technology. You can easily access the question pools via the FCC website.

There are two ways for you to use these question pools. First, use them as a closed-book exam to see what you really do know without further study. You can then identify what you do not know and go back and learn what you missed.

Second, you can take the exam a question at a time, and if you don't know the answer, you can just look it up in this textbook for wireless questions or in an electronics textbook for the general questions.

One important note. Element 3 contains questions on aircraft radio and navigation equipment and a variety of other subjects such as digital radios. The result is a mix of questions not typically covered in textbooks. This feature makes the exam as much of a learning tool, and it is an evaluation document.

Either way, you find out what you do and do not know and learn what you should know. It reinforces your knowledge. And, best of all, it preps you for the GROL exam that is an exceptionally good credential to have on your resume to impress employers. To get the pool questions, go to <https://www.fcc.gov/wireless/bureau-divisions/mobility-division/commercial-radio-operator-license-program/commercial-1>. Look for question pools/study guides. Download the questions for Elements 1 and 3.

An Option

If you are interested in getting an amateur radio operator's license, go to the link below to get the question pool for the Technician class license. These questions are also good for electronics and radio theory review but emphasize amateur radio rules and regulations. The Technician exam is probably just as good a final exam if you are interested in this alternative. Go to <http://ncvec.org/downloads/2018-2022%20Tech%20Pool%202nd%20Errata%2002122018.pdf>.

You can also go to the American Radio Relay League (ARRL) to obtain question pools for the General and Extra class as well as for Technician class amateur licenses. www.arrl.org/question-pools. The ARRL also offers free practice exams to help you prepare.

- 2G cell phone system** Second-generation digital cell phone system. The systems are GSM, TDMA, and CDMA.
- 3DES triple data encryption standard** Using the DES encryption three times to improve security.
- 3G cell phone system** Third-generation cell phones, which are true packet data phones with enhanced digital voice and high-speed data transmission capability.
- 3GPP third generation partnership project** An organization dedicated to developing and improving cell phone technologies that are standardized through the ITU.
- 4G cell phone system** Fourth generation of cell phones. Used to describe Long-Term Evolution (LTE) advanced cell phone technologies that feature OFDM and packet data rates up to 100 Mbps in a mobile environment.
- 5G cell phone system** The next-generation system, based primarily on millimeter wave small cells that complement macro base stations to expand coverage and boost data rates to 10 Gbps.
- 5G NR** Fifth-generation New Radio (5G NR). The formal name of this latest cellular system.
- 8VSB** 8-level vestigial sideband modulation. A multilevel modulation scheme used in U.S. digital TV to obtain high speed in a 6-MHz channel.
- 10Base-2 Ethernet LAN** A type of Ethernet local-area network system implemented with thin coaxial cable.
- 10Base-T Ethernet LAN** The twisted-pair version of Ethernet. The most widely used version.
- 10-gigabit Ethernet** A version of Ethernet that permits data speeds up to 10 Gbps over fiber-optic cable.
- 100-gigabit Ethernet** Versions of Ethernet that provide 100-Gbps and higher data rates over various fiber-optic cable combinations.
- 100Base-TX**. See Fast Ethernet.
- 802.3** The IEEE Ethernet standard.
- 802.11** The IEEE Wi-Fi standard.
- 802.15** The IEEE standard for short-range wireless, such as Bluetooth and ZigBee.
- 802.16** The IEEE standard for WiMAX.
- 802.22** The IEEE standard for a wireless regional area network and white space.
- 1000Base-T Ethernet** See Gigabit Ethernet.
- 10G/Base-T Ethernet** A version of Ethernet that supports 10-Gbps data rates over twisted-pair copper cable.

1496/1596 circuit A typical IC balanced modulator that can work at carrier frequencies up to approximately 100 MHz and can achieve a carrier suppression of 50 to 65 dB.

A

Absolute field strength meter Device used for accurate measurements of signal strength. Usually measured in microvolts per meter.

Absorption In fiber-optic communication, the way light energy is converted to heat in the core material owing to the impurity of the glass or plastic.

Absorption wave meter Variable tuned circuit with an indicator that tells when the tuned circuit is resonant to a signal coupled to the meter by a transmitter; provides a rough indication of frequency.

Access method The protocol used for transmitting and receiving information on a bus.

Access point (AP) A Wi-Fi LAN hot-spot connection device.

Accumulator The combination of a register and adder.

Acknowledge character (ACK) A character that acknowledges that a transmission was received.

Additive white Gaussian noise (AWGN) A synthetic random noise based on a Gaussian distribution of frequencies and amplitudes used in bit error rate (BER) testing of digital communications equipment.

Advanced driver assistance systems (ADAS) Electronic systems in modern vehicles to improve safety and convenience such as radar, cruise control, automatic braking, lane departure, collision avoidance, etc.

Advanced encryption standard (AES) An encryption method developed by the National Institute of Standards and Technology (NIST) to be more secure than the older DES standard because it uses 128, 192, or 256 bit keys.

Advanced mobile phone system (AMPS) The original cell phone system, based on analog FM radio technologies.

Advanced television standards committee (ATSC) A standards body that sets the specifications for digital high-definition television and other video systems.

Aerial An older term for antenna.

A-law compander The type of companding used in European telephone networks.

Aliasing A problem that occurs when the sampling frequency is not high enough. Aliasing causes a new signal near the original to be created.

All-pass filter A filter that passes all frequencies equally well over its design range but has a fixed or predictable phase shift characteristic.

American Standard Code for Information Interchange (ASCII) The most widely used data communication code. This is a 7-bit binary code.

Amplification The boosting of signal voltage and power.

Amplitude modulation Varying the amplitude of a carrier signal to transmit information.

Amplitude shift keying (ASK) Amplitude modulation by square waves or rectangular binary pulses.

Analog multiplier A type of IC that performs mathematical multiplication of two signals and can be used as a balanced modulator. It uses differential amplifiers operating in a linear mode.

Analog oscilloscope Device that amplifies the signal to be measured and displays it on the face of a CRT at a specific sweep rate.

Analog signal A smoothly and continuously varying voltage or current.

Analog-to-digital conversion (A/D conversion) The process of sampling or measuring an analog signal at regular intervals and converting it into a binary value.

Angle modulation A collective term referring to FM and PM.

Angle of elevation The angle between the line from the earth station's antenna to the satellite and the line between the same antenna and the earth's horizon.

Angle of incidence An angle A between the incident ray and the normal at the reflecting surface.

Angle of inclination The angle formed between the line that passes through the center of the earth and the north pole and the line that passes through the center of the earth and is also perpendicular to the orbital plane.

Angstrom (Å) A unit of measure for light wavelength, equal to 10^{-10} m or 10^{-4} μm .

Answering machine A feature on an electronic telephone that answers a call after a preprogrammed number of rings and saves the voice message. More formally called voice mail.

Antenna An electromechanical device used to transmit or receive radio signals. page 890

Antenna array Two or more antenna elements combined to create an antenna with directivity and gain.

Antenna bandwidth The range of frequencies over which an antenna operates efficiently; the difference between the upper and lower cutoff frequencies of the antenna, which acts as a resonant circuit or bandpass filter.

Antenna directivity The ability of an antenna to send or receive signals over a narrow horizontal or vertical directional range.

Antenna Q The ratio of inductive reactance to resistance. Although it is difficult to calculate the exact Q for an antenna, the higher the Q , the narrower the bandwidth. Lowering Q widens bandwidth.

Antenna radiation pattern The geometric shape of the signal strength around an antenna.

Antenna reciprocity The condition that exists when the characteristics and performance of an antenna are the same whether the antenna is radiating or intercepting a signal.

Antenna resonance The frequency at which an antenna has peak voltage or current.

Antenna subsystem An assemblage of devices used for both transmitting and receiving signals.

Antenna tuner A configuration consisting of a variable inductor, one or more variable capacitors, or a combination of these components connected in various ways.

Antenna tuning A technique used to maximize power output by impedance matching.

Anti-aliasing filter A low-pass filter usually placed between the signal source and the A/D converter to ensure that no signal with a frequency greater than one-half the sample frequency is passed.

Antilog The number obtained when the base is raised to the logarithm that is the exponent.

Anti-transmit-receive (ATR) tube A type of spark gap tube. It effectively disconnects the transmitter from the circuit during the receive interval in a high-power radar system.

Apogee The highest point of a satellite above the earth.

Application specific integrated circuit (ASIC) A custom IC developed for a specific product or application. Often used for DSP and to replace an FPGA.

Arbitrary waveform generator A signal generator that uses digital techniques to generate almost any waveform.

Array waveguide grating (AWG) An array of optical waveguides of different lengths made with silica on a silicon chip that can be used for both multiplexing and demultiplexing.

Asynchronous data transmission A transmission method in which each data word is accompanied by start and stop bits that indicate the beginning and ending of the word.

Asynchronous digital subscriber line (ADSL) The most widely used form of digital subscriber line (DSL). It permits data rates up to 8 Mbps and upstream rates up to 640 kbps using the existing telephone lines.

Asynchronous protocol The simplest form of protocol for ASCII-coded data transmission, using a start bit and a stop bit framing a single character, and with a parity bit between the character bit and the stop bit.

Asynchronous transfer mode (ATM) system A packet-switching system used in Internet backbones. ATM systems break data into 53-byte packets and transmit them over fiber-optic networks at speeds up to 10 Gbps. No longer widely used.

Atmospheric noise The electrical disturbance that occurs naturally in the earth's atmosphere. Also known as static.

Atomic clock An electronic oscillator that uses the oscillating energy of a gas to provide a stable operating frequency.

Attenuation The reduction in signal amplitude or loss.

Audio The voice or sound portion of a communication system.

Authentication An electronic method of verifying who a person is for the secure exchange of information.

Automatic frequency control (AFC) A feedback control circuit that is used in high-frequency receivers and keeps the local oscillator on frequency.

Automatic gain control (AGC) A feature of receivers that ensures that the output signal remains constant over a broad range of input signal amplitudes.

Automatic splicer A device used to achieve highly accurate alignment and splicing of fiber-optic cable.

Automatic voice level adjustment The process of having a circuit sense and adjust the gain of an amplifier used to amplify voice signals in a radio or telephone system.

Autoranging A feature of frequency counters that selects the best time-base frequency for maximum measurement resolution without overranging.

Avalanche photodiode (APD) A widely used, sensitive, and fast photosensor. It is reverse-biased.

Azimuth The compass direction in which north is equal to 0° .

B

Backbone LAN A central network with nodes that are other LANs. This provides a convenient way to interconnect a variety of different LANs for organization-wide communication. Also the main communications fiber links in the Internet.

Backhaul The communications link between a cellular base station and the network operation by way of fiber-optic cable or microwave.

Backward wave oscillator (BWO) A type of TWT in which the wave travels from the anode end back toward the electron gun, where it is extracted.

Balanced modulator A circuit that generates a DSB signal, suppressing the carrier and leaving only the sum and difference frequencies at the output.

Balanced transmission line A transmission line with neither wire connected to ground. Instead, the signal on each wire is referenced to ground.

Balun A device used to convert transmission lines from balanced to unbalanced operation.

Bandpass filter A filter that passes frequencies over a narrow range between lower and upper cutoff frequencies.

Band-reject, bandstop, or notch filter A filter that rejects or stops frequencies over a narrow range but allows frequencies above and below to pass.

Bandwidth The narrow frequency range over which the signal amplitude in a circuit is highest. The portion of the electromagnetic spectrum occupied by a signal. The range of frequencies a cable will carry. It determines the maximum speed of the data pulses the cable can handle.

Base station A cell site in a cellular telephone system, the most visible feature of which is its antenna on a tower.

Baseband LAN A local-area network in which the data to be transmitted is placed directly on the transmission medium, usually a twisted pair cable, as binary voltage levels.

Basic rate interface (BRI) A type of ISDN connection using one twisted pair. Two bearer (B) voice channels and one data control (D) channel are multiplexed on the line.

Baud rate In digital communication systems, the number of signaling elements or symbols that occur in a given unit of time.

Baudot code Rarely used today, this binary data code was used in early teletype machines.

Beam antenna An antenna that is highly directional and has very high gain.

Beam forming The process by which an antenna like a phased array combines the signals from multiple antenna elements to create a narrow concentration of signal.

Beamwidth The measure of an antenna's directivity.

Beat frequency oscillator (BFO) An oscillator that is built into some receivers designed to receive SSB or CW signals.

Bessel filter A filter that provides the desired frequency response but has a constant time delay in the passband.

Bessel function A mathematical process used to solve the FM equation.

Bias A voltage that establishes an operating condition for a transistor or IC.

Bias-T A simple three-port circuit made up of an inductor and a capacitor lets DC bias to be applied as bias to a circuit but blocking AC, and allowing both DC and AC to pass to a third port.

Bicone antenna A widely used omnidirectional microwave antenna. Signals are fed into the antenna through a waveguide or coaxial cable ending in a flared cone. page 891

Bidirectional antenna An antenna that receives signals best in two directions.

Bidirectional coupler A variation of the directional coupler in which two sections of line are used to sample the energy in both directions, allowing determination of the SWR.

Binary check code, block-check character, or block-check sequence (BCC or BCS) The logical sum of the data bytes in a block used as a method of error detection.

Binary code A type of code consisting of patterns of 0s and 1s. Each pattern represents number, a letter of the alphabet, or some special symbol such as punctuation or a mathematical operation.

Binary phase-shift keying (BPSK) or phase-shift keying (PSK) The process of modulating a carrier with binary data by changing the carrier phase 180°.

Biphase encoding See Manchester encoding.

Bipolar transistor mixer A special mixer that consists of a single transistor biased into the nonlinear range to produce analog multiplication.

Birdies Random "chirping" or "tweeting" sounds at the audio output of some receivers due to intermodulation products.

Bisync protocol An IBM protocol, widely used in computer communication. It usually begins with the transmission of two or more ASCII sync (SYN) characters.

Bit error rate (BER) The number of bit errors that occur for a given number of bits transmitted.

Bit error rate (BER) analyzer A device that compares the transmitted and received data on a bit-by-bit basis to point out every bit error made.

Bit rate The speed of serial binary data expressed as bits per second (bps) or Kbps, Mbps, or Gbps. The reciprocal of bit time.

Block A group of data that represents hundreds or even thousands of 1-byte characters.

Bluetooth A wireless PAN system. One of its applications is to provide hands-free cell phone operation.

Bluetooth Low Energy A version of Bluetooth designed for very-low-power battery-powered devices.

BNC connector Connector that is widely used with coaxial cables to attach test instruments to equipment being tested. Often used in LANs and some UHF radios.

BORSCHT Seven basic functions provided by the subscriber line interface circuit (SLIC): **B**attery, **O**vervoltage protection, **R**inging, **S**upervision, **C**oding, **H**ybrid, and **T**est.

Bow-tie antenna A popular and effective variation of the dipole antenna, which uses two-dimensional cones or triangles.

Bridge Electronic equipment connected as a node on the network that performs bidirectional communication between two LANs.

Bridge circuit An electrical network consisting of four impedances connected to form a rectangle, with one pair of diagonally opposite corners connected to an input device and the other pair to an output device.

Broadband connection A fast Internet connection provided by a local telephone company or other organization. A broadband connection can provide speeds up to 1 Gbps.

Broadband LAN A type of LAN in which the binary data to be transmitted is used to modulate a carrier, which is then placed on the transmission medium.

Broadband transmission The process of changing a baseband signal using a modulator circuit.

Broadside array A stacked collinear antenna consisting of half-wave dipoles separated from one another by one-half wavelengths.

Router A combination of a bridge and a router that can switch, perform protocol conversion, and serve as a communication manager between two LANs.

Browser The software that makes it possible to navigate and explore the Web and to access and display information.

Bulk acoustic wave (BAW) A type of small high-frequency bandpass filter used in cell phones. Similar to a SAW filter.

Bus topology A topology in which all of the nodes in an LAN are connected to a common cable.

Butterworth filter Filter with maximum flatness in response in the passband and uniform attenuation with frequency.

C

C band The microwave band from 4 to 8 GHz.

Cable headend The main collection and distribution point for video signals and Internet access in a cable TV system.

Caller ID (calling line identification service) A feature on many electronic telephones. The calling number is displayed on an LCD readout when the phone is ringing, permitting the recipient of the call to identify the caller.

Capacitor A circuit component made up of two parallel conductors separated by an insulating medium. A capacitor is capable of storing energy in the form of a charge and an electric field.

Capture effect The effect caused by two or more FM signals occurring simultaneously on the same frequency. The stronger signal captures the channel, eliminating the weaker channel.

Capture range The range of frequencies over which a PLL will capture an input signal.

Carrier A high-frequency signal usually a sine wave whose characteristics are changed by having a baseband signal impressed upon it.

Carrier aggregation The process of assembling smaller parts of spectrum into a wider bandwidth channel for increased data rate.

Carrier frequency The frequency generated by an unmodulated radio, radar, carrier communication, etc., or the average frequency of the emitted wave when modulated by a symmetrical signal.

Carrier generator An oscillator.

Carrier recovery circuit A term applying to a number of techniques that can be used in a receiver to generate a carrier signal that has the correct frequency and phase relationship to the original transmitting carrier.

Carrier sense multiple access with collision detection (CSMA/CD) The access method used in Ethernet.

Carson's rule A method of determining the bandwidth of an FM signal.

Cassegrain feed A method of feeding a parabolic antenna in which electromagnetic radiation from the horn strikes a small reflector that reflects the energy toward a large dish, which then radiates it in parallel beams.

Cathode-ray tube (CRT) A TV picture tube, or vacuum tube.

CATV (cable TV) A system of delivering a TV signal to home receivers by way of a coaxial and/or fiber-optic cable rather than by radio wave propagation.

CATV converter Known as a cable TV box, this tuner can select the special cable TV channels and convert them to a frequency that any TV set can pick up.

Cauer filter A filter producing more rapid attenuation than a Chebyshev filter. Though Cauer filters provide greater attenuation out of the passband, they do so with an even higher ripple.

Cavity resonator A waveguide-like device that acts like a high-Q parallel resonant circuit.

CB synthesizer Often used in citizens band radios, this is usually a PLL with one or more mixers that generate the carrier with the local oscillator frequencies for the receiver.

CDMA See Code division multiple access.

Cells In the cellular radio system, the small geographic service areas.

Cellular radio system Standard telephone service provided by two-way radio at remote locations.

Central office (local exchange) A facility to which each telephone is directly connected by a twisted-pair cable.

Centrex An alternative to private branch exchange (PBX) that uses special equipment whereby most of the switching is carried out the local exchange switching equipment over special trunk lines.

Ceramic filter A filter made with a manufactured crystal-like compound with the same piezoelectric qualities as quartz. Like a crystal filter, the ceramic filter provides high selectivity but is less expensive.

Channel The amount of bandwidth that a signal occupies in the radio frequency spectrum. page 892

Channelization process The process of dividing a range of frequencies into multiple bands of frequencies called *channels* over which transmissions will be made.

Characteristic (surge) impedance Impedance that is a function of the inductance, resistance, and capacitance in a transmission line.

Charged coupled device (CCD) Often used in fax machines, this is a light-sensitive semiconductor device that converts varying light amplitudes into an electrical signal.

Chebyshev filter A filter with extremely good selectivity. The attenuation rate is much higher than that of the Butterworth filter. The main problem with this filter is ripple in the passband.

Choke See Inductor.

Choke joint Two flanges connected to a waveguide at the center that is used to interconnect two sections of waveguide.

Chromatic dispersion In a multimode step index cable, a type of dispersion that occurs when multiple wavelengths of light are used.

Circular polarization When electric and magnetic fields rotate as they leave an antenna.

Circulator A three-port microwave device used for coupling energy in only one direction around a closed loop.

Citizen's band (CB) radio A personal radio communications service and technology using the 27-MHz band that does not require an FCC license.

Cladding A plastic sheath surrounding a fiber-optic cable with an index of refraction that keeps light waves in the core.

Class A amplifier A linear amplifier. This is not an efficient amplifier and thus makes a poor power amplifier.

Class AB amplifier Similar to a Class B amplifier but biased with a small amount of conduction to eliminate crossover distortion.

Class B amplifier An amplifier that is biased at cutoff so that no collector current flows with zero input. This type of amplifier is used mainly as a push-pull amplifier.

Class C amplifier This amplifier is very efficient because it conducts for even less than one-half of the sine-wave input cycle.

Class D amplifier An efficient switching amplifier that uses a pair of transistors to produce a square-wave current in a tuned circuit.

Class E amplifier An efficient switching amplifier in which only a single transistor is used, either bipolar or MOSFET.

Class F amplifier A variation of the class E amplifier. It contains an additional resonant network in the collector or drain circuit.

Class S amplifier This amplifier uses switching techniques with a scheme of pulse-width modulation. It is found mainly in audio applications.

Cleaving The first step in cutting fiber-optic cable, so that it is perfectly square on the end.

Client-server configuration The general LAN configuration in which one of the computers in a network runs the LAN and determines how the system operates.

Clock and data recovery circuit (CDR) A circuit used to generate clock pulses from a received signal.

Cloud A name for the Internet.

Coarse wavelength division multiplexing (CWDM) A method of multiplexing data on fiber-optic cable. *See also* Dense wavelength division multiplexing.

Coaxial cable A widely used type of transmission line that consists of a solid center conductor surrounded by a dielectric material. In cable TV systems, it is usually 75- Ω RG-6/U cable.

Coaxial connector An electromechanical cable termination device designed to provide a convenient way to attach and disconnect equipment and cables and maintain the integrity and electrical properties of a cable.

Code division multiple access (CDMA) A digital cell phone system using direct sequence spread spectrum (DSSS). *See also* Direct-sequence SS; IS-95 CDMA; Time division multiple access.

Codec A single, large-scale IC chip that takes care of all A/D and D/A conversion and related functions.

Coding Also known as analog-to-digital (A/D) conversion.

Coding gain The gain in dB of a system resulting from the use of forward error correction coding.

Cognitive radio An intelligent radio that can make decisions about when and how to make transmissions based on sensing and accessing external inputs.

Coil *See* Inductor.

Collector modulator A high-level AM modulator that takes a low-level signal and amplifies it to a high-power level.

Collinear antenna An antenna consisting of two or more half-wave dipoles mounted end to end.

Colpitts oscillator An oscillator in which the feedback is derived from a capacitive voltage divider.

Common mode rejection In a balanced transmission line, any external signal induced into the cable appears on both wires simultaneously but cancels at the receiver. This is called *common mode rejection*, and it significantly reduces noise.

Communication The process of exchanging information.

Communication satellite Type of satellite that makes long-distance communication possible by serving as a relay station in the sky.

Commutating filter A variation of a switched capacitor filter made of discrete resistors and capacitors with MOSFET switches driven by a counter and decoder.

Commutator A form of rotary switch used in multiplexers in early TDM/PAM telemetry systems.

Companding A process of signal compression and expansion that is used to overcome problems of distortion and noise in the transmission of audio signals.

Compression A process that reduces the number of binary words needed to represent a given analog signal.

Computer branch exchange (CPX) See Private branch exchange.

Conductor A wire or cable that carries current from one place to another.

Cone of acceptance The area external to the end of a fiber-optic cable and defined by the critical angle. Any light beam outside the cone will not be internally reflected and transmitted down the cable.

Constellation diagram A graphic or test instrument output showing points on a chart that represent the many combinations of amplitude and phase shift used in QAM.

Conical antenna A dipole antenna that uses two cone-shaped elements.

Connector A special mechanical assembly that allows fiber-optic cables to be joined to one another or used to connect a transmission line to a piece of equipment or to another transmission line.

Constant- k filter A filter that makes the product of the capacitive and inductive reactances a constant value k .

Continuous phase frequency-shift keying (CPFSK) A type of frequency modulation that eliminates phase discontinuities.

Continuous tone-control squelch system (CTCS) A system activated by a low-frequency tone transmitted along with audio to provide some communication privacy on a particular channel.

Continuous-wave (CW) radar A type of radar using a constant-amplitude continuous microwave sine wave. The echo is also a constant-amplitude microwave sine wave of the same frequency but of lower amplitude and shifted in phase.

Continuous-wave (CW) transmission A code transmission such as Morse code in which the signal is turned on and off to transmit a message.

Control segment The part of the GPS system consisting of the various ground stations that monitor the satellites and provide control and update information.

Controller area network (CAN) A low-speed serial data bus widely used as a simple network in automobiles and industrial products.

Converter See Mixer.

Convolutional code A type of error-correcting code where a string of bits is converted to a larger number of bits for the purpose of improving reliability of transmission in the presence of noise.

Copper digital data interface (CDDI) Standard wire cable version of the FDDI system. It is less expensive than FDDI because

twisted pair is used instead of fiber-optic cable.

Cordless telephone Full-duplex, two-way radio system made up of two units, the portable unit or handset, and the base unit.

Core The glass fiber in a fiber-optic cable that is usually surrounded by a protective plastic cladding. Also the CPU in an integrated processor.

Corner reflector A type of high-frequency antenna in which a reflector is placed behind the dipole to improve gain and directivity.

Correlated noise Another name for intermodulation distortion. Correlated noise is produced only when signals are present. It is manifested as the signals called *birdies*.

Cosmic noise Noise generated by stars outside our solar system.

Counterpoise The entire ground-plane collection of radials.

Coupled circuit A circuit linked by way of a magnetic field through transformer action.

Critical angle The angle between the incident light ray and the normal to the glass fiber surface. This value depends upon the index of refraction of the glass.

Crossed-field amplifier (CFA) Similar to a TWT, this amplifier has a lower gain but is somewhat more efficient.

CRT See Cathode-ray tube.

Crystal diode See Point-contact diode.

Crystal filter A filter made from the same type of quartz crystal normally used in crystal oscillators. It is used in communication receivers in which superior selectivity is required.

Crystal oscillator An oscillator in which the frequency of the AC output is determined by the mechanical properties of a piezoelectric crystal.

Crystal radio receiver An early radio receiver that had weak reception because no active amplification was used.

CubeSat A very small satellite (4 × 4 × 4 inches) used by universities, research labs, and amateur radio operators for a wide range of applications in low earth orbit.

Cutoff frequency The frequency at which the output of a frequency-selective device, such as a filter or amplifier, drops to 70.7 percent of its maximum output. Also known as the half-power or 3-dB down point.

C-V2X Cellular vehicle to anything. A radio standard that addresses the need by a safety radio system as proposed by the National Highway Safety Transportation Agency that allows cars to talk to one another and trade location information and driving status. Car would also communicate with other entities such as road side units that furnish weather, construction, and traffic data. Also see DSRC.

Cyclical redundancy check (CRC) A mathematical technique used in data transmission that catches 99.9 percent or more of transmission errors.

D

D layer The layer of the ionosphere that is farthest from the sun. This layer is weakly ionized and exists only in daylight.

Daisy chain topology A variation of a ring topology that can be described as a ring that has been broken.

Data bus Multiple parallel lines that carry binary data.

Data communication A technique that can be used to transmit voice, video, and other analog signals in digital form.

Data compression techniques A digital data processing technique that looks for redundancy in the transmitted signal to speed up transmission.

Data conversion In digital communication, the conversion of data in analog form into digital form and vice versa.

Data encryption standard (DES) One of the first and still widely used encryption standards created by the National Institute of Standards and Technology (NIST). It uses 56-bit keys that are no longer considered to provide the ultimate in security.

Data over cable service interface specifications (DOCSIS) A standard for cable television transmission developed and maintained by CableLabs.

Data rate The speed of the binary pulses in a communication system in bits per second.

dBm A power level expressed in dB referenced to one milliwatt.

Decibel The unit of measure created as a way of expressing the hearing response of the human ear to various sound levels but now primarily used to express gain or loss in electronic circuits, cables, or communication links.

Decimation in time (DIT) The processing that takes place with the fast Fourier transform.

Decimator A type of digital filter.

Decryption Deciphering an encrypted message to recover the original data.

Dedicated short-range communications (DSRC) A radio standard that uses spectrum near 6 GHz used for direct vehicle-to-vehicle and vehicle-to-other sources. A standard supposed to be mandated in all vehicles for safety. Competitive with and replaced by C-V2X.

Deemphasis A process used to return the frequency response of a preemphasized signal to its normal level.

De emphasis circuit A simple low-pass filter with a time constant of $75 \mu\text{s}$.

Definition The resolution of detail in a TV picture.

Delay line A circuit that delays a signal or sample by some constant time interval.

Demodulator (detector) A circuit that accepts modulated signals and recovers the original modulating information.

Demultiplexer A device with a single input and multiple outputs, one for each original input signal.

Dense wavelength division multiplexing (DWDM) A light frequency multiplexing method that uses 8, 16, 32, 64, or more data channels on a single fiber.

Depletion region A thin area with no free carriers, holes, or electrons around a PN semiconductor junction that acts like a thin insulator that prevents current flow through the device.

Detector See Demodulator.

Detector probe See RF probe.

Deviation meter A device designed to measure the amount of carrier deviation of an FM/PM transmitter.

Deviation ratio The number of times per second the carrier frequency deviates above and below its center frequency.

Dial tone In a telephone set, the audio note indicating that the telephone is ready to use.

Dialing circuit A circuit that provides a way for entering the telephone number to be called. The system used is either a pulse or a tone system.

Dielectric The insulating portion of a capacitor.

Dielectric (lens) antenna An antenna that uses a special dielectric material to collimate or focus microwaves from a source into a narrow beam.

Differential amplifier modulator An amplifier with high gain and good linearity that can be amplitude modulated 100 percent.

Differential phase-shift keying (DPSK) A type of phase modulation that simplifies the demodulation process because the transmitted signal itself becomes the phase reference.

Diffraction The bending of waves around an object.

Digital cell phone system The system that has superseded the original analog AMPS system.

Digital private branch exchange (DPBX) A telephone switching system in which all switching is done by IC transistor switches that have replaced the mechanical relays in older PBXs and PABXs.

Digital satellite radio or **digital audio radio service (DARS)** A satellite service that provides hundreds of channels of music, news, sports, and talk radio primarily to car radios.

Digital signal A signal that changes in steps or discrete increments. Most digital signals use binary or two-state codes.

Digital signal processing (DSP) The processing of analog signals by digital computing methods.

Digital storage oscilloscope (DSO; digital or sampling oscilloscope) A device that uses high-speed sampling or A/D techniques to convert the signal to be measured into a series of digital words that are stored in internal memory.

Digital Subscriber Line (DSL) The process of transmitting digital data over analog telephone lines using OFDM/DMT.

Digital-to-analog (D/A) conversion The process of translating multiple binary numbers back into the equivalent analog voltage.

Digital TV (DTV) See High-definition TV.

Diode A unidirectional semiconductor device used for rectification, page 894 signal detection, and mixing.

Diode detector A simple and widely used amplitude demodulator.

Diode mixer A widely used mixer that uses a diode.

Diode modulator A simple amplitude modulator.

Diode ring or **lattice modulator** A popular and widely used type of balanced modulator.

Dip oscillator A tunable oscillator used to determine the approximate resonant frequency of any de-energized LC-resonant circuit.

Diplexer A type of filter or circulator that allows a single antenna to be shared by a transmitter and receiver.

Dipole antenna An antenna consisting of two pieces of wire, rod, or tubing that together are one-half wavelength long at the operating resonant frequency. Also called Hertz antenna or doublet.

Direct attached storage (DAS) A method of communications between a computer and external storage like hard disks using a standard parallel interface over short distances.

Direct Broadcast Satellite (DBS) service A TV signal distribution system that uses K band signals to send cable-TV-like service to homes equipped with 18-in.-diameter satellite antennas.

Direct conversion (DC) or zero IF (ZIF) receiver A special version of the superheterodyne that translates RF directly to baseband.

Direct digital synthesis (DDS) A form of frequency synthesis in which a sine-wave or other waveform output is generated digitally with software and a DAC.

Direct-sequence SS (DSSS) or code division multiple access (CDMA) A type of spread spectrum in which the serial binary data is mixed with a higher-frequency pseudorandom binary code at a faster rate and then used to phase-modulate a carrier.

Directional coupler A commonly used waveguide component that facilitates the measurement of microwave power in a waveguide and the SWR.

Directivity The ability of an antenna to send or receive signals over a narrow horizontal and vertical directional range.

Director A kind of parasitic element in a Yagi that is shorter than the half-wave dipole-driven element and is mounted in front of the element to increase gain and directivity.

Discrete Fourier transform (DFT) An algorithm that can be used in a DSP processor to analyze the frequency content of an input signal.

Discrete Multitone (DMT) The name for OFDM used in DSL.

Discriminator A circuit in a system that takes an FM signal and re-creates the original DC or AC signal produced by the transducer.

Dish antenna Special antenna using a parabolic reflector which selects the signal from the desired satellite and provides very high gain.

Dispersion Pulse stretching caused by the many different paths through a fiber-optic cable.

Distance measuring equipment (DME) Equipment that permits accurate distance measurements between stations in aircraft navigation.

Distortion A condition that causes a signal's shape to be changed by a circuit. The introduction of harmonics into a signal.

Distributed antenna system (DAS) A method of spreading cellular phone coverage over a wide area using a network of multiple antennas with coaxial and fiber-optic cables.

Distributed feedback laser (DFL) A laser made with a cavity that contains an integrated grating structure that acts like a selective filter.

Diversity system A way to minimize fading caused by multipath signals by using multiple transmitters, receivers, or antennas.

Doherty amplifier A type of RF power amplifier that uses a linear class AB amplifier plus a class C amplifier to create a linear amplifier with greater efficiency.

Doppler effect A frequency shift that occurs when there is motion between a transmitting station and a remote target.

Dotted decimal A way of simplifying an IP address by converting each byte or octet of the address into a decimal number and separating the decimal numbers with a dot or period.

Double-conversion down converter One of two types of down converter used in earth station receivers. It resolves the problems of image rejection and tuning or channel selection difficulties.

Double-sideband suppressed carrier (DSSC or DSB) signal A signal containing both upper and lower sidebands, with the carrier suppressed.

Doubler A frequency multiplier that multiplies the frequency by 2.

Doublet See Dipole antenna.

Doubly balanced mixer A balanced modulator.

Down conversion The process used in radio receivers in which high-frequency radio signals are converted to a lower, intermediate frequency.

Downlink The transmission path from a base station to a cell phone or other device. The transmission from a satellite to a ground station.

DP-QPSK Dual polarization, quadrature phase-shift keying. An optical modulation method used to achieve 100-Gbps or higher data rates on fiber-optic cable.

Driven array A directional antenna that has two or more driven elements.

Dual-conversion receiver A receiver in which the first mixer converts the incoming signal to a relatively high intermediate frequency, for the purpose of eliminating images, and the second mixer converts that IF to a much lower frequency at which good selectivity is easier to obtain.

Dual-conversion transponder A device that translates the uplink signal to the downlink frequency in two steps with two mixers.

Dual-tone multifrequency (DTMF) system The tone dialing system used in most modern telephones.

Dummy load A resistor that is connected to the transmission line in place of the antenna to absorb transmitter output power.

Duplex communication Communication that flows in two directions.

E

E-commerce Business done over the Internet.

E layer The layer of the ionosphere next to the D layer. This layer is weakly ionized and exists only in daylight.

Effective radiated power (ERP) The power radiated by an antenna with directivity and therefore gain.

Electric field An invisible force field produced by the presence of a potential difference between two conductors.

Electromagnetic compatibility (EMC) The concept and goal of all signal generating equipment being able to operate in the presence of one another without interfering with one another.

Electromagnetic field A radio wave.

Electromagnetic interference (EMI) Any interference to a communication device by any other electrical or electronic device.

Electromagnetic spectrum The range of electromagnetic signals encompassing all frequencies.

Electromagnetic wave A signal such as a radio signal made up of both electric and magnetic fields.

Electronic communication system A group of devices including a transmitter, a channel or medium, and a receiver.

Electro-optical modulator (EOM) A type of modulator used in fiber-optical systems that uses a voltage-controlled voltage-sensitive material to produce phase modulation of a laser light beam.

Electrostatic discharge The dissipation of a large electric field; lightning is an example.

Elevation See Angle of elevation.

Encoding A process in which binary data is transformed into a unique variation of the binary code, such as the Manchester code, prior to transmission.

Encryption The process of encoding data in such a way as to obscure its meaning and content so that it can be transmitted securely.

End effect A phenomenon caused by any support insulators used at the ends of a wire antenna. It causes a capacitance to be added to the end of each wire.

End-fire array An antenna that uses two half-wave dipoles spaced one-half wavelength apart and has a bidirectional radiation pattern.

End of transmission block character (ETB) A character transmitted to signal the end of a data block.

page 895

End of transmission character (EOT) A character transmitted to signal the end of the data transmission.

Engineer In the field of electronics, a person who holds a bachelor's or an advanced degree and specializes in design.

Enhanced 911 (E911) capability A feature included with 2.5G and 3G phones that is mandated by the U.S. government. This feature makes it possible to locate any cell phone position automatically.

Enhanced data for GSM evolution See EDGE.

Envelope An imaginary line connecting the positive peaks and negative peaks of the carrier wave form. The envelope gives the exact shape of the modulating information signal. Also, the outline of the peaks of individual signals like harmonics in the frequency spectrum.

Envelope delay The time needed for a point on a waveform to pass through a filter.

Envelope detector Another name for diode detector.

Envelope tracking A technique of modulating the DC power source with the envelope of the signal to be amplified as a way to improve overall efficiency.

Equatorial orbit A satellite orbit with an inclination of 0°.

Erbium-doped fiber amplifier (EDFA) A type of optical amplifier.

Error One or more incorrect bits in the transmission of information that is often caused by a very high noise level. It can be detected by special circuitry.

Error signal The output of a phase detector circuit.

Ethernet The most widely used of the LAN types. It uses bus topology and baseband data-transmission methods. Uses unshielded twisted-pair or fiber-optic cable to achieve data rates from 10 Mbps to 400 Gbps.

Extended Binary Coded Decimal Interchange Code (EBCDIC) An 8-bit code used mainly in IBM and IBM-compatible computing systems and equipment. It allows a maximum of 256 characters to be represented.

External noise Random AC voltage that comes from sources over which we have little or no control — industrial, atmospheric, or space.

Extraterrestrial noise An electrical disturbance that is solar or cosmic (from space).

Extremely high frequency (EHF) The frequency range from 30 to 300 GHz.

Extremely low frequency (ELF) The frequency range from 30 to 300 Hz.

Eye diagram A diagram or pattern that is a display of overlapping individual bits of binary data displayed on a common oscilloscope.

F

F layer The layer of the ionosphere closest to the sun. It is highly ionized, has the greatest effect on radio signals, and exists day and night.

F-type connector An inexpensive coaxial connector used in TVs, VCRs, and cable TV.

Facsimile An electronic system for transmitting graphical information by wire or radio.

Facsimile standards Standards established by the International Telecommunications Union to ensure compatibility of fax machines made by different manufacturers.

Fading A problem that occurs when radio waves pass through objects on their way from transmitter to receiver. The radio waves are negatively affected by these objects.

Family radio service (FRS) A personal radio communications service and technology using the 467-MHz band that does not require an FCC license.

Far field The radio wave beyond about one wavelength from the antenna.

Fast Ethernet A newer version of Ethernet, currently the most widespread version of Ethernet. It has a speed of 100 Mbps. Also called 100Base-TX.

Fast Fourier transform (FFT) A special version of the DFT algorithm developed to speed up the calculation of signal spectrum analysis.

Fast Fourier transform (FFT) spectrum analyzer A test instrument that gives a frequency domain display similar to other types of spectrum analyzers.

Federal Communications Commission (FCC) The U.S. government's agency that regulates all wireless and wired communications in the country.

Femto cell A small cellular base station designed for home or small offices to improve coverage and data rate. See Small cell.

Ferrite disk A ceramic, sometimes made of yttrium-iron-garnet (YIG), used in circulators.

FET mixer A mixer that uses the square law response of a field-effect transistor for frequency conversion.

FET phase modulator A modulator with a phase shifter made up of a capacitor and the variable resistance of a field-effect transistor.

Fiber digital data interface (FDDI) A high-speed fiber-optic cable network offering a data transmission rate of 100 Mbps.

Fiber-optic cable A nonconducting cable consisting of a glass or plastic center cable surrounded by a plastic cladding encased in a plastic outer sheath and used in optical communication systems. It acts as a light "pipe."

Fiber-optic communication system A communication system that uses electronic digital and optical multiplexing techniques for high-speed data communication.

Fiber-optic connector A connector designed to provide a fast and easy way to attach or remove fiber-optic cables.

Fiber-optic interrepeater link (FOIRL) A fiber-optic communication channel with repeaters at each end that are designed to interconnect two Ethernet networks.

Fibre Channel (FC) An optical fiber transmission standard with speeds to 40 Gbps used primarily in storage area networks (SANs).

Fibre Distributed Data Interface (FDDI) A LAN standard designed to connect up to 500 nodes (PCs, etc.) in a ring configuration over a distance of up to 60 miles.

Field In the generation of a video signal, one complete scanning of a scene, which contains $262\frac{1}{2}$ lines.

Field bus A low-speed serial data bus used in industry to interconnect industrial equipment with sensors and actuators.

Field-programmable gate array (FPGA) A large-scale digital logic IC containing thousands of basic logic circuits that can be connected by programming to perform a specific function. Often used for DSP.

Field strength meter (FSM) A portable device used for detecting the presence of RF signals near an antenna.

File transfer The transfer of files, records, or whole databases from one place to another.

Filter A frequency-selective circuit designed to pass some frequencies and reject others.

Filtering The use of circuits to separate frequencies.

Final power amplifier The high-power amplifier that drives to an antenna or other load in an RF system.

Finite impulse response (FIR) filter (nonrecursive filter) A popular DSP filter whose output is a function of the sum of products of the current input samples.

Firewall A piece of software that monitors all incoming data to a network for the purpose of establishing whether the data meets the standards or guidelines set by an organization or individual for admission to the network and computers.

Flash converter A fast analog-to-digital converter that uses a large resistive voltage divider and multiple analog comparators.

Flicker noise An electrical disturbance that occurs in resistors and conductors and is the result of minute random variations of resistance in the semiconductor material.

FM/FM system A system that uses the FM of the VCO subcarriers as well as the FM of the final carrier in a telemetry system.

Folded dipole A variation of the half-wave dipole consisting of two parallel conductors connected at the ends with one side open at the center.

Forward AGC A method of reducing gain by increasing the collector current.

Forward error correction (FEC) The process of detecting and correcting errors at the receiver so that retransmission is not necessary.

Forward (incident) power The power sent down a transmission line toward the load.

Foster-Seeley discriminator One of the earliest FM demodulators, no longer used.

Fourier theory The process for accurately analyzing and expressing complex nonsinusoidal signals in terms of harmonics using calculus.

page 896

Frame The portion of a packet that contains the data to be communicated plus addressing and error detection codes.

Frame rate The number of frames transmitted in 1 second.

Frame relay A packet switching system used by the major telecommunications companies for data transfer.

Free-running frequency The normal operating frequency of a VCO, as determined by internal frequency-determining components.

Frequency In electronics, the number of cycles of a repetitive wave that occur in a given period of time.

Frequency conversion The process of translating a signal to a higher or lower frequency while retaining the originally transmitted information.

Frequency-correcting network, predistorter, or 1/f filter A low-pass filter that causes the higher modulating frequencies to be attenuated.

Frequency counter A test instrument that measures signal frequency.

Frequency deviation (f_d) The amount of change in carrier frequency produced by the modulating signal.

Frequency demodulator A circuit used to recover the original modulating signal from an FM transmission.

Frequency divider A circuit with an output frequency that is some integer submultiple of the input frequency.

Frequency division duplexing (FDD) A method of implementing full duplex operation using two separate bands, one for transmit and the other for receive.

Frequency division multiplexing (FDM) or frequency division multiple access (FDMA) A type of multiplexing in which multiple signals share the bandwidth of a common communication channel.

Frequency-domain display A plot of signal amplitude versus frequency.

Frequency-hopping (FH) SS A type of spread spectrum in which the frequency of the carrier of the transmitter is changed according to a predetermined sequence at a rate less than the serial binary data modulating the carrier.

Frequency modulation Modulation in which the instantaneous frequency of the modulated waves differs from the carrier frequency by an amount proportional to the instantaneous value of the modulating wave.

Frequency modulator A circuit that varies carrier frequency in accordance with the modulating signal.

Frequency multiplier A circuit with an output frequency that is some integer multiple of the input frequency.

Frequency-multiplier diode A diode designed primarily for frequency-multiplier service. Varactor diodes and step-recovery diodes are frequency-multiplier diodes.

Frequency reuse A technique used for effectively increasing the bandwidth and information-carrying capacity of a communications system. A means by which cells within a cellular telephone system can share the same frequency channel. *See also* Spatial multiplexing.

Frequency-shift keying (FSK) A type of modulation widely used in the transmission of binary data. Used primarily in low-speed modems, FSK uses two sine-wave frequencies that represent binary 0s and 1s.

Frequency spectrum The electromagnetic spectrum.

Frequency synthesizer A signal-generating circuit whose output can be changed in discrete increments by digital means.

Friis's formula The formula used to calculate the range, wavelength, power, and antenna gains in a wireless system.

Front-to-back (F/B) ratio The ratio of the power radiated in the forward direction to the power radiated in the backward direction.

Full duplex Simultaneous two-way communications.

Function generator A signal generator that generates sine waves, square waves, and triangular waves over a frequency range of about 0.001 Hz to about 2 MHz.

G

GaAsFET A junction field-effect transistor made with gallium arsenide. *See also* Gallium arsenide.

Gain Amplification. The ratio of output to input of an amplifier, circuit or antenna.

Galileo The European Union's global satellite navigation system.

Gallium arsenide (GaAs) semiconductor A compound semiconductor used in microwave transistors and LEDs made specifically for fiber-optic applications. It emits light at $1.3 \mu\text{m}$.

GaN Gallium nitride semiconductor, used to make FET power transistors.

GASFET Another name for MESFET.

Gateway An internetwork device that acts as an interface between two LANs or between a LAN and a larger computer system. This two-way translator allows different types of systems to communicate.

Gaussian filtered MSK (GMSK) A method of prefiltering MSK in which harmonic content and overall signal bandwidth are reduced.

General packet radio service See GPRS.

General Radiotelephone Operator's License (GROL) The FCC's commercial license required to operate and repair certain types of aircraft and marine electronic equipment. An excellent credential indicating knowledge of radio and electronic fundamentals.

Geocenter The center of the earth.

Gigabit Ethernet The most recent version of Ethernet, capable of achieving 1000 Mbps or 1 Gbps over Category 5 UTP or fiber-optic cable. Also called 1000Base-T Ethernet.

Gilbert transconductance cell The balanced mixer made with transistors and used in most IC mixers.

Global Positioning System (GPS) Satellite-based navigation system that can be used by anyone with an appropriate receiver to pinpoint his or her location on earth.

Global System for Mobile Communications See GSM.

GLONASS Russia's global satellite navigation system.

GNSS Global Navigation Satellite Systems The generic term for the world's satellite navigation systems.

GPRS (general packet radio service) The most popular 2.5G technology, designed to work with GSM phones. It transmits data as well as digitized voice.

GPS receiver A complex superheterodyne microwave receiver designed to pick up GPS signals, decode them, and compute the location of the receiver.

Graded index cable A cable whose index of refraction for the core varies smoothly and continuously over the diameter of the core.

Grid A control element added between the plate and the cathode of a vacuum tube to control the current flow.

Ground The common reference point for most voltages in a circuit.

Ground control equipment (GCE) subsystem Equipment at a satellite earth station, which is used for demodulating and demultiplexing the received signals.

Ground loop An unintentional circuit that occurs when multiple circuits or pieces of equipment are connected to a common ground at different points.

Ground plane A conducting surface or array of conductors over $\frac{1}{4} \lambda$ long used as one element in a vertical antenna. The earth becomes known as the ground plane once a good electrical connection to earth has been made.

Ground-plane antenna. See Marconi vertical antenna.

Ground station Also known as an earth station, the terrestrial base of the satellite communication system.

Ground wave A wave that follows the curve of the earth and can therefore travel to distances beyond the horizon.

GSM (Global System for Mobile Communications or Group Special Mobile) The most widely used 2G digital phone system.

Gunn diode A thin piece of N-type gallium arsenide (GaAs) or indium phosphide (InP) semiconductor that forms a resistor when voltage is applied to it. Also called transferred-electron device (TED). Uses its negative resistance characteristics to generate a microwave signal.

Gyrotron The only device available for power amplification and signal generation in the millimeter-wave range.

page 897

H

Hamming code A popular method of forward error correction (FEC), a code that uses extra bits added to a transmitted word and processed to identify and correct bit errors.

Handoff A switching at the mobile telephone switching office (MTSO). From a weaker cell to a stronger cell, to provide optimum transmission and reception.

Handset The portion of a telephone that contains the speaker and microphone, which serve as a transmitter and a receiver.

Handshaking The exchange of status information between transmitter and receiver in a digital system.

Harmonic A sine wave whose frequency is some integer multiple of a fundamental sine wave.

Hartley's law A law that states that the greater the bandwidth of a channel, the greater the amount of information that can be transmitted in a given time.

Harvard architecture A type of microprocessor in which there are two memories: a program or instruction memory and a data memory. There are two data paths between the memories.

Hash function or algorithm A simple method of encryption that converts a plaintext message into a compressed binary number representing that data.

Helical antenna A wire helix in which the diameter of the helix is typically one-third wavelength. Spacing between turns is about one-quarter wavelength.

Hertz antenna See Dipole antenna.

Heterodyne processing A method of translating the incoming TV signal to a different frequency.

Heterodyne processor A module used by cable companies to translate receiver signals to the desired channel.

Heterodyning The function performed by a mixer circuit in frequency conversion.

Heterojunction bipolar transistor (HBT) A transistor that makes high-frequency amplification possible in both discrete form and integrated circuits. It is formed with two different types of semiconductor materials.

HetNet Heterogenous network for cellular systems made up of a mix of macro base stations and small cells to deliver 5G services.

High-definition TV (HDTV) or digital TV (DTV) System that transmits fine picture detail and enhanced sound.

High electron mobility transistor (HEMT) A variant of the MESFET that extends the frequency range beyond 20 GHz by adding an extra layer of semiconductor material.

High frequency (HF) The frequency range from 30 to 300 MHz.

High-level AM A variation of voltage and power in the final RF amplifier stage of a transmitter.

High-level data link control (HDLC) protocol A popular modulation technique used in modems for increasing the number of bits per baud.

High-pass filter A filter that passes frequencies above the cutoff but rejects frequencies below it.

High-power amplifier (HPA) An amplifier used to increase signal level.

High Speed Downlink Packet Access (HSDPA) An improved version of the 3G WCDMA system using higher-level modulation like 16QAM to achieve higher data speeds in cellular downlink.

High-Speed Uplink Packet Access (HSUPA) An improved version of the 3G WCDMA system using higher-level modulation to achieve higher data speeds in cellular uplink.

High-Speed Packet Access (HSPA) An improved version of the 3G WCDMA system using higher-level modulation like 16QAM to achieve higher data speeds in cellular uplink and downlink.

Horn antenna An antenna created by flaring the end of the waveguide. The more gradual the flair, the better the impedance match and the lower the loss.

Hot carrier diode Also known as a Schottky diode, this diode is made with N-type silicon on which is a thin metal layer.

Hot spot A public Wi-Fi access point.

Hub An LAN accessory that functions like a central connecting box. It is designed to receive the cable inputs from various PC nodes and connect them to the server.

Huygens' principle The principle based on the assumption that all electromagnetic waves radiate as spherical wave fronts from a source. When the waves encounter an obstacle, they pass around it, above it, and on either side of it.

Hybrid circuit A popular form of MMIC that combines all amplifier ICs connected to microstrip circuits and discrete components of various types. Also, a special transformer used to convert signals from the four wires of a transmitter and a receiver into a signal suitable for a single two-line pair to the local loop.

Hybrid fiber cable (HFC) system A newer system of cable TV in which a fiber-optic cable and a coaxial cable rather than just a coaxial cable is used.

Hybrid ring A special form of microstrip with four taps or ports on the line spaced at one-quarter wavelength intervals, which can be used as inputs or outputs.

Hybrid T A waveguide-like device with combined series and shunt T sections that is used to permit simultaneous use of an antenna by both a transmitter and a receiver.

Hypertext On the Web, a method that allows different pages or sites to be linked.

Hypertext transfer protocol (http) The first part of a URL. It specifies the communication protocol to be used.

I

I and Q The in-phase and quadrature signals used in most digital modulation and demodulations circuits.

I color signal A TV color signal with the following specifications: 60 percent red, 28 percent green, and 32 percent blue.

IC balanced modulator A balanced modulator circuit using differential amplifiers.

IC electronic telephone A telephone unit in which all the circuits are fully integrated on a single chip of silicon.

IF amplifier An amplifier that uses tuned circuits with crystal, ceramic, or SAW filters in order to provide good selectivity. *See also* Intermediate frequency.

Image An interfering RF signal that is spaced from the desired incoming signal by a frequency that is two times the intermediate frequency above or below the incoming frequency.

Image processing The processing of data by algorithms that are used to improve the resolution clarity, speed, or signal-to-noise ratio of a transmitted picture.

Image reject mixer A special type of mixer used in designs in which images cannot be tolerated.

IMPATT diode A PN-junction diode that is made of silicon, GaAs, or InP and operates with a high reverse bias that causes it to avalanche, or break down. It is available with power ratings to about 25 W and to frequencies as high as 30 GHz.

Impedance The total opposition of the components produced by combining resistance, inductance and/or capacitance in series or parallel.

Impedance matching A procedure done to ensure that maximum power transfer will take place between a transmitter or receiver and an antenna with transmission line.

Impedance-matching network A circuit used to transfer maximum signal power from one circuit to another.

Impedance-matching pad A resistive T network that provides the correct match between the receiver and input and the generator.

Impedance meter An instrument (often bridge type) that accurately measures the impedance of a circuit, a component, or an antenna at RF frequencies.

Impedance of space See Wave impedance.

Incident power See Forward power.

Incident ray Light ray from a light source. The input wave from a generator to the end of a fiber-optic transmission line.

Index of refraction A figure obtained by dividing the speed of a light wave in a vacuum by the speed of a light wave in a medium that causes the wave to be bent. The ratio of the speed of light in air to the speed of light in the substance.

Indirect FM The FM produced by a phase modulator.

page 898

Indium phosphide (InP) semiconductor A compound semiconductor material made with indium and phosphorus.

Inductor An electronic component made by winding multiple turns of a wire on a form. Also called a *coil* or *choke*.

Industrial Internet of Things (IIoT) The use of IoT products and technology in factory automation, process control, and other industrial venues.

Industrial noise Electrical disturbance created by manufactured equipment such as automotive ignition systems, electric motors, and generators.

Infinite impulse response (IIR) filter (recursive filter) A recursive DSP filter that uses feedback. Each new output sample is calculated using both the current output and past samples.

Information In electronic communication systems, the message or data.

Infrared communication A form of optical communication that utilizes signals from 0.7 to 1000 μm .

Infrared LAN The least expensive form of wireless LAN. It uses infrared transceivers.

Infrared (IR) wireless The use of infrared light for short-distance data communication.

Infrared spectrum The region of the optical spectrum just below visible light, from 0.7 to 1000 μm .

Injection laser diode (ILD) A PN-junction diode usually made with GaAs. It produces a low-level light over a broad frequency range with a low-level forward-biased current.

Insertion loss The loss a filter introduces to the signals in the passband (usually in decibels). Passive filters introduce attenuation because of resistive losses in the components and the voltage divider effect.

Institute of Electrical and Electronics Engineers (IEEE) A professional society that establishes and maintains a wide range of electrical, electronic, and computing standards.

Instrumentation subsystem An extension of a satellite telemetry system; a general term for all the electronic equipment used to deal with the information transmitted back to the earth station.

Integrated circuit See entries under IC.

Integrated services digital network (ISDN) system A digital communication interface designed to replace the local analog loop used in the public switched network but rarely used.

Intensity modulation A type of modulation used when the information or intelligence signal controls the brightness of a laser transmitter. A form of amplitude modulation.

Interexchange carriers (IXCs) Long-distance telephone service carriers.

Interlaced scanning The meshing of two sequentially scanned fields on a TV CRT.

Intermediate frequency (IF) The lower frequency to which superheterodyne receivers convert all incoming signals. The mixer output of a superheterodyne receiver, it is the difference between the input signal frequency component and the local oscillator frequency.

Intermediate-power amplifier (IPA) An amplifier in a chain of several amplifiers used to boost the power level of a signal before transmission. The amplifiers are usually referred to as low-power, intermediate-power, and high-power amplifiers.

Intermodulation distortion Distortion resulting from the generation of new signals and harmonics arising from circuit nonlinearities.

Intermodulation products The unintentional mixing of signals and harmonics to produce undesired interfering signals.

Internal noise Noise caused by heat in electronic components in a receiver such as resistors, diodes, and transistors.

International Organization for Standardization An organization that has developed a framework, or hierarchy, known as the open systems interconnection model, that defines how data can be communicated.

International Telecommunications Union (ITU) An agency of the United Nations whose duties include setting standards for various areas within the communication field. Formerly known as the CCITT, it establishes standards to ensure compatibility of telecommunication equipment of different manufacturers.

Internet A worldwide connection of computers by means of a complex network of many networks.

Internet backbone A collection of worldwide networks of high-speed fiber-optic cable that carry all Internet traffic.

Internet Engineering Task Force (IETF) An organization that develops and standardizes technologies and protocols related to Internet data transfer.

Internet of Things (IoT) The idea of connecting any electric or electronic device to the Internet for the purpose of remote monitoring and/or control.

Internet service provider (ISP) A company set up especially to tap into the Internet.

Interoperability The ability of equipment from one manufacturer to work compatibly with that of another.

Intersymbol interference (ISI) Pulses that blur into one another cause this type of interference. The longer the cable or the higher the bit rate, the greater the distortion.

Ionosphere The region of the upper atmosphere where ultraviolet radiation from the sun causes the atmosphere to become electrically charged, or

ionize.

IP address Internet protocol address. A 32-bit binary number assigned to a specific computer to identify its presence on the Internet to a router.

IPv4 (Internet Protocol version 4) The currently most widely used IP protocol. Its destination address size, 32 bits, limits the number of users.

IPv6 The latest Internet protocol that uses a 128-bit address.

IrDA system The most widely used IR data communication system.

Iridium system An advanced satellite cellular telephone system that uses a constellation of 66 satellites in six polar orbits with 11 satellites per orbit 420 miles above the earth.

iSCSI Internet Small Computer Systems Interface (SCSI). A version of the popular SCSI parallel data interface used to connect hard drives and tape drives to computers that uses Ethernet for connectivity.

IS-95 CDMA A TIA cell phone standard, also known as CDMA One, which uses spread spectrum.

Isolator A type of circulator with one input and one output.

Isotropic radiator A theoretical point source of electromagnetic energy.

J

Jacket The protective insulation that surrounds the core of a cable with its cladding.

Jitter A type of noise that shows up as a time variation of the leading and trailing edges of a binary signal.

K

Key A secret binary number used in the encryption process that must be known or exchanged to decrypt the data.

Key system A small telephone system designed to serve from 2 to 50 user telephones within an organization.

L

L network An inductor and a capacitor connected in various L-shaped configurations used for impedance matching.

Laser A single-frequency light source that produces a very narrow beam of brilliant light of a specific wavelength.

Laser diode PN-junction diode usually made with a GaAs compound that produces coherent laser light. It is the most widely used light source in fiber-optic systems.

Laser transmitter The circuitry associated with the laser in a fiber-optic transceiver.

Latitude The angle between a line from a given point on the surface of the earth to the geocenter and the line between the geocenter and the equator.

Lattice modulator See Diode ring.

Law of reflection This law states that the angle of incidence is equal to the angle of reflection.

LC filter A filter made with inductors and capacitors.

LC oscillator A signal-generating circuit whose frequency is set by page 899 an inductor-capacitor combination. Colpitts, Hartley, and Clapp circuits are examples of this type of oscillator.

LDMOS Laterally diffused metal oxide semiconductor. A type of enhancement mode FET used for RF power amplification.

LED transmitter A type of transmitter employing a light-emitting diode that is used for short-distance, low-speed, digital fiber-optic systems.

Left-hand circular polarization (LHCP) The term that describes radiation that leaves an antenna with a counterclockwise rotation.

Light A type of electromagnetic radiation that occupies the part of the frequency spectrum lower in frequency than x-rays but higher in frequency than microwaves and includes infrared, visible, and ultraviolet light.

Light detector (photocell) A light-sensitive device that converts light pulses into an electrical signal.

Light-emitting diode (LED) A PN-junction semiconductor device that emits light when forward-biased.

Light receiver A type of receiver in which current through the photodiode, generated when light is sensed, produces a current that is amplified in an op amp.

Light transmitter A laser or LED and its associated driving circuitry.

Limiter A circuit used to remove any amplitude variations on the FM signal before the signal is applied to the demodulator.

Linear amplifier An amplifier that provides an output that is an identical, enlarged replica of the input. An amplifier whose output is a straight line function of its input.

Line-of-sight communication A communication signal that travels in a straight line directly from the transmitting antenna to the receiving antenna.

Loading coil A series inductor used to bring a short antenna into resonance at the desired frequency.

Local access and transport areas (LATAs) Designated geographical areas to which local exchange carriers (LECs) provide telephone services.

Local exchange See Central office.

Local exchange companies (or carriers; LECs) Companies to which local exchanges that provide local telephone service are connected.

Local loop (subscriber loop) A two-wire, twisted-pair connection between a telephone and the central office.

Local oscillator Either a conventional LC tuned or crystal oscillator or a frequency synthesizer used to produce a continuous sine wave. Usually drives a mixer in a receiver.

Lock range The range of frequencies over which a PLL can track an input signal and remain locked.

Log-periodic array An antenna in which the lengths of the driven elements vary and are related logarithmically. This type of antenna also provides a very wide bandwidth as well as gain and directivity.

Long-distance operation Service offered by interexchange carriers that provide the interconnection for any inter-LATA connections.

Longitudinal redundancy check (LRC) The process of logically adding, by exclusive ORing, all the characters in a specific block of transmitted data used for error detection.

Long-Term Evolution (LTE) A fourth-generation (4G) cellular telephone system using OFDM.

Long-Term Evolution-Advanced An updated and faster 4G wireless system capable of mobile data rates to 1 Gbps.

LoRa A wireless technology designed for long range IoT coverage with low power consumption.

Losses Attenuation or weakening of a signal in a circuit, coaxial, or fiber-optic cable.

Low-density parity-check (LDPC) code A form of error correction code for improving transmission reliability in a noisy channel.

Low frequency (LF) The frequency range from 30 to 300 kHz.

Low earth orbit (LEO) An orbit very close to earth making radio communications practical. LEO satellites travel very fast to stay in orbit, for example, CubSat.

Low-level AM Amplitude modulation at a low power level that must be amplified by a linear amplifier considerably before being transmitted.

Low-noise amplifier (LNA) An RF amplifier that uses special low-noise transistors to provide initial amplification in a receiver.

Low-noise block (LNB) converter An assembly mounted at the feed point of a parabolic reflector containing an LNA, a mixer, and a local oscillator that down-converts a satellite signal to a lower IF.

Low-pass filter A circuit that introduces no attenuation at frequencies below the cutoff frequency but greatly attenuates all signals with frequencies above the cutoff.

Low-voltage differential signaling (LVDS) A physical layer serial data interface using differential twisted pair up to 10 meters. Data rate up to 3 Gbps on shorter cable.

LTE-M A narrow band low power version LTE for IoT use.

M

Mach-Zehnder (MZ) modulator A type of modulator used to produce amplitude modulation of a laser beam using a voltage-controlled material.

Machine-to-machine (M2M) Communications between machines or devices without human intervention for remote asset tracking, monitoring, and control.

Magnetic field The invisible force field created by a magnet.

Magnetron A microwave vacuum tube that is a diode tube with built-in cavity resonators and an extremely powerful permanent magnet.

Manchester code A type of the binary line code that prevents the DC voltage level on a transmission cable from building up to an unacceptable level. A unipolar or bipolar coding system widely used in LANs. Also called biphase encoding.

Marconi (ground-plane) vertical antenna A quarter-wavelength vertical radiator used to achieve vertical polarization and omnidirectional characteristics. *See also* Quarter-wavelength vertical antenna.

Matched line The ideal situation in which a transmission line terminates in a load that has a resistive impedance equal to the characteristic impedance of the line.

Matching stub *See* Q section.

Media Accesses Controller (MAC) The circuitry making up Layer 2 of an OSI type protocol.

Medium frequency (MF) The frequency range from 300 to 3000 kHz.

MESFET A junction field-effect transistor made with gallium arsenide (GaAs). Also called GASFET.

Metal-oxide-semiconductor field-effect transistor (MOSFET) A transistor often used in switching amplifier applications. It provides extremely low power dissipation even with high current. The basic building block of most CMOS digital integrated circuits.

Metal-semiconductor field-effect transistor (MESFET) *See* GaAsFET.

Metropolitan-area network (MAN) A network that covers a city, town, or village. A cable TV system is an example of a MAN.

Micrometer (μm) or micron One-millionth of a meter. Light waves or small dimensions in integrated circuits are expressed in terms of this unit.

Microstrip A flat conductor separated from a conducting ground plane by an insulating dielectric used as a transmission line or tuned circuit. It is preferred for reactive circuits at microwave frequencies.

Microstrip tuned circuit A section of microstrip transmission line used as a resonant circuit.

Microwaves The frequencies from 1 GHz to 30 GHz.

Microwave antenna Any antenna used at frequencies above 1 GHz.

Microwave transistor A transistor that operates like other transistors, whether it is a bipolar or an FET type. The differences between this and a lower-frequency transistor are geometry and packaging that is optimized for frequencies above 1 GHz.

Microwave transistor amplifier The transistor amplifier used in the front end of a microwave receiver to provide initial amplification for the mixer. The typical gain range is 20 to 25 dB. Also a power transistor used in microwave transmitters.

Microwave tube A type of tube that includes the klystron, magnetron, and traveling-wave tube.

Millimeter wave An electromagnetic wave at a frequency above 30 GHz. The part of the frequency spectrum lower in frequency than x-rays but higher in frequency than microwaves (about 30 to 300 GHz).

- Minimum shift keying (MSK)** An improved version of FSK or continuous phase frequency-shift keying in which the signals are fully synchronized with one another.
- Minor lobe** The portion of the directional response curve of an antenna that denotes the transmission of RF energy over a particular range of angles different from the major direction of radiation of the antenna.
- Mixer (converter)** Any device or circuit whose output does not vary linearly with the input. A device that translates the signal up or down to another frequency.
- MLT-3 encoding** The encoding method used in Fast Ethernet.
- Mobile identification number (MIN)** The telephone number assigned to a cellular unit.
- Mobile telephone switching office (MTSO)** The master control center to which the cells in a cellular phone system are connected by telephone lines or microwave radio relay links.
- Modal dispersion** In a multimode step index cable, an attenuation or stretching of a pulse at the end of the cable.
- Modem** A device that converts binary signals into analog signals capable of being transmitted over the telephone lines and demodulates them, re-creating the binary output.
- Modulation** The process by which a baseband voice, video, or digital signal is modified by another, higher-frequency signal called the carrier.
- Modulation index** The ratio of the frequency deviation to the modulating frequency.
- Modulator** A circuit used to vary some aspect of a radio carrier or light signal in accordance with the modulating baseband signal.
- Monolithic microwave integrated circuit (MMIC)** A circuit that incorporates two or more stages of FET or bipolar transistors made on a common chip to form a multistage amplifier.
- Morse code** A series of dots and dashes that represent letters of the alphabet, numbers, and punctuation marks.
- MOSFET** See Metal-oxide-semiconductor field-effect transistor.
- Motion Picture Experts Group (MPEG)** The organization that establishes technical standards for movies and video.
- μ -law compander** The type of companding used in telephone systems in the United States and Japan.
- Multicarrier modulation (MCM)** See Orthogonal frequency division multiplexing.
- Multicasting** The ability of IP to move fast audio and video data over the Internet from a single source to multiple destinations.
- Multimode graded index cable** A type of cable that has several modes, or paths, of transmission through the cable but is orderly and predictable.
- Multimode step index cable** A type of cable used for short to medium distances at relatively low pulse frequencies. It is a widely used type of fiber-optic cable.
- Multipath interference** Fading that occurs when a transmitted signal takes multiple paths to the receiver because of reflections. Also called Rayleigh fading.

Multiple data message format (MDMF) A message format used in caller ID.

Multiple-input multiple-output (MIMO) A wireless technique that makes use of multiple antennas at the transmitter and receiver to make use of multipath signals to improve communications range, speed, and reliability.

Multiuser MIMO (MU-MIMO) A MIMO antenna system that allows multiple subscribers to access the base station antennas rather than one at a time.

Multiuser Radio Service (MURS) Similar to FRS but users have access to more power.

Multiplexer A device or circuit that time (or frequency) shares a single channel with multiple signals.

Multiplexing A technique that allows more than one signal to be transmitted concurrently over a single medium.

Multiuser MIMO A system of antennas and transceivers that allows several subscribers to use a base station MIMO system at the same time.

Multistage integrated circuit amplifier A type of small-signal microwave amplifier or monolithic microwave integrated circuit (MMIC).

Muting circuit See Squelch circuit.

N

N connector Widely used in RF applications, this type of connector is used on larger cables such as RG-8/U.

NB-IoT A low power wireless technology for use in the cellular bands.

Nanometer (nm) One-billionth of a meter. Light waves are often expressed in terms of nanometers.

Narrow-band FM (NBFM) A special case of FM in which the modulation process produces only a single pair of significant sidebands like those produced by AM.

National Telecommunications and Information Administration (NTIA)
A regulatory body of the U.S. government whose function is to regulate electromagnetic emissions for the government and military services.

Near field The radio wave within about one wavelength of the radiating antenna.

Near field communications (NFC) A short range wireless technology similar to RFID that uses the near magnetic field of a radio wave for data transfers at distances to 8 inches. Used for payment and access when used in a cell phone.

NE566 IC VCO An IC voltage-controlled oscillator.

NE602 IC mixer A popular circuit that uses bipolar transistors connected as Gilbert transconductance cells.

Network analyzer A test instrument designed to analyze linear circuits. It is a combination instrument that contains a wide-range sweep sine-wave generator and a CRT output that displays not only frequency plots like a spectrum analyzer but also plots of phase shift versus frequency.

Network attached storage (NAS) A group of hard disks usually connected to a computer or server via standard Ethernet.

Network interface controller (NIC) A device that provides the I/O interface between each node on a network and the network wiring.

Noise In electronics, any signal that is a mixture of many frequencies at many amplitudes that gets added to a radio or information signal as it is transmitted from one place to another or as it is processed. Random signal variations picked up by a receiver or caused by thermal agitation and other conditions inside the receiver circuitry. Random, undesirable electronic energy that enters a communication system via the communication medium and interferes with the transmitted message.

Noise bridge A bridge circuit driven by a random noise voltage source that has an antenna or coaxial cable as one leg of the bridge. Used to make antenna characteristic impedance measurements and measurements of coaxial cable velocity factor and length.

Noise factor The ratio of the S/N power at the input to the S/N power at the output.

Noise figure The noise factor as expressed in decibels.

Noise immunity Resistance to noise. Digital signals are more immune to noise than analog signals.

Noise margin The amount of voltage between the highest expected noise voltage and a threshold level above which triggering occurs.

Noise temperature Another way to express noise in an amplifier or receiver using the Kelvin scale.

Nonreturn to zero encoding (NRZ) A method of encoding in which the signal remains at the binary level assigned to it for the entire bit time.

Notch, band-reject, or bandstop filter A type of filter that rejects or stops frequencies over a narrow range but allows frequencies above and below to pass.

Numerical aperture (NA) A number less than 1 that indicates the range of angles over which a particular cable will work.

Nyquist frequency The minimum sampling frequency at which the high-frequency information in an analog signal can be retained. It is equal to two times the highest signal frequency.

O

Octet An 8-bit number, word or block of data. Another name for byte.

OFDMA Orthogonal frequency division multiplex access. Multiple-user access in OFDM by dividing the subcarriers into smaller groups assigned to individual users.

Omnidirectional antenna An antenna that transmits equally well in all horizontal directions. It has a circular horizontal transmission pattern.

One-shot multivibrator A pulse generator circuit that produces one output pulse whose duration has been set to some desired interval.

ON- OFF keying (OOK) A form of amplitude modulation where the carrier is turned off or on by a modulating binary signal.

Open systems interconnection (OSI) protocol A framework or hierarchy designed to establish general interoperability guidelines for developers of communication systems and protocols.

Optical communication system A communication system that uses light to transmit information from one place to another.

Optical-electrical-optical (OEO) conversion See Regeneration.

Optical multimode (OM) A type of graded-index fiber-optical cable that is available in various specifications for different cost, distance, and speed needs.

Optical signal analyzer An optical test instrument that provides the OTDR measurement and is also a sampling oscilloscope capable of displaying signals of more than 10 Gbps.

Optical spectrum A group of signals with frequencies higher than 300 GHz. The range of frequencies that consists of infrared, visible, and ultraviolet light (range of 3×10^{11} to 3×10^{16} Hz).

Optical time domain reflectometer (OTDR) A device that generates a light pulse and sends it down a fiber-optic cable to be tested. If there is a defect in the line, light will be reflected. The time between the generated and reflected pulses is measured.

Optical transport network (OTN) A networking standard for supporting IP systems, Ethernet, SONET, and other synchronous and asynchronous networking protocols in high-speed (up to 100 Gbps) long-haul backbone networks.

Optics The aspect of physics concerned with the behavior of light.

Orbit The path taken by a satellite as it circles the earth.

Orthogonal frequency division multiplexing (OFDM) A modulation method by which data is transmitted by simultaneously modulating segments of the high-speed bit stream onto multiple carriers spaced throughout the channel bandwidth. Also called multicarrier modulation (MCM).

Oscillator diode A special semiconductor device (Gunn diode, TRAPPAT diode, etc.) that generates a microwave signal, usually a sine wave at the resonant frequency, when used with a tuned circuit element such as a waveguide, microstrip, microstrip, or stripline.

Over the air (OTA) Data services offered by radio. Testing by OTA is done in the mmWave bands.

Overmodulation In amplitude modulation, the term describing the condition when the modulating voltage is greater than the carrier voltage.

Overranging In amplitude modulation, the condition that occurs when the count capability of a counter is exceeded during the count interval.

Oversampling converter A type of converter that uses a clock or sampling frequency that is many times the minimum Nyquist rate required for other types of converters. The $\Sigma\Delta$ converter is an example of an oversampling converter.

Overtone Similar to a harmonic. An integer multiple of a fundamental oscillation frequency.

Overtone crystal A crystal that is cut in a special way so that it optimizes its oscillation at an overtone of the basic crystal frequency.

Overvoltage protection The protection afforded by circuits and components that protect the subscriber line interface circuits from electrical damage.

P

Packet A unit of data made up of the frame of data and additional bytes at the beginning and end that contain addresses and error correction codes.

PAM demultiplexer A circuit that recovers data multiplexed with PAM.

PAM/FM system An arrangement in which PAM signals frequency-modulate a carrier.

PAM/FM/PM system An arrangement in which PAM signals frequency-modulate a subcarrier that, in turn, phase modulates the carrier.

Parabolic antenna An antenna in which the energy radiated by the horn is pointed at a parabolic reflector that focuses the energy into a narrow beam and reflects it toward its destination. When receiving, the antenna focuses signals on the horn.

Parallel data transmission A type of data transfer in which all the bits of a code word are transferred simultaneously. This method of data transfer is not practical in long-distance communication systems.

Parallel resonant circuit A selective circuit formed when the inductor and capacitor are connected in parallel with the applied voltage.

Parallel-wire line A transmission line made up of two parallel conductors separated by a space of $\frac{1}{8}$ in. to several inches.

Parasitic array A basic antenna connected to a transmission line plus one or more additional conductors that are not connected to the transmission line. A Yagi antenna.

Parity A widely used system of error detection. Each character transmitted contains 1 additional bit.

Passband The frequency range over which a filter or amplifier passes signals. This is the range between cutoff frequencies or between the cutoff frequency and zero.

Passive intermodulation (PIM) distortion The generation of undesirable signals due to mixing in nonlinear anomalies present in wireless transmission line, antenna, and connector interfaces.

Patch antenna An antenna made with microstrip on PCBs. It is a circular or rectangular area of copper separated from the ground plane by the thickness of the PCB's insulating material.

Path attenuation Loss created by the distance of free space between a transmitting and receiving antenna, usually expressed as a power ratio or in decibels.

Pattern generator A device that produces fixed binary bit patterns in serial form to use as test signals in data communication systems.

PCM demultiplexer A circuit that recovers data multiplexed using PCM.

Peak envelope power (PEP) The maximum power produced on voice amplitude peaks in single sideband communication.

Peer-to-peer configuration A type of LAN that is smaller and less expensive than client-server LANs and provides a simple way to build a network within an office.

Percentage of modulation The ratio of the amplitude of the modulating signal to the amplitude of the carrier.

Perigee Lowest point of a satellite orbit above the earth.

Permittivity The dielectric constant of the material between two conductors.

Personal-area network (PAN) A very small network created informally or on an ad hoc basis. Nowadays, all PANs are wireless.

Personal communication service (PCS) The band of frequencies near 1900 MHz that is used for cellular telephones.

pHEMT Pseudomorphic high electron mobility transistor. A type of depletion mode FET used as an RF power amplifier in the microwave bands.

Phase modulation (PM) The signal that results when the amount of phase shift of a constant-frequency carrier is varied in accordance with a modulating signal.

Phase modulator A circuit often used instead of direct FM because the carrier oscillator can be optimized for frequency accuracy and stability.

Phase noise Noise in the form of phase or frequency variations produced by jitter in an oscillator or other frequency source.

Phased array An antenna system made up of a large group of similar antennas on a common plane to provide controllable gain and directivity. page 902

Phased array radar A type of radar that provides flexibility in scanning narrow sectors and tracking multiple targets by using a phased antenna array.

Phase-locked loop (PLL) A frequency- or phase-sensitive feedback control circuit used in frequency demodulation, frequency synthesizers, and various filtering and signal detection applications.

Phase-shift keying (PSK) A type of modulation in which the binary signal changes the phase shift of a sine-wave character depending upon whether a binary 0 or a binary 1 is to be transmitted. Also called binary phase-shift keying (BPSK).

Phasor A line or arrow whose length is proportional to the peak value of the sine wave being represented and its angle indicating phase position.

Photocell See Light detector.

Photodiode Silicon PN-junction diode that is sensitive to light. It is the most widely used light sensor.

Phototransistor A light-sensitive transistor used for light detection.

PHY Abbreviation of the physical layer of a data communications system based on the OSI system.

Physical optics A term referring to the ways that light can be processed.

π network Network configuration resembling the Greek letter π.

Piconet The linking of one Bluetooth device that serves as a master controller to up to seven other Bluetooth devices.

Piezoelectric effect Vibration that occurs when a crystal is excited by an AC signal across its plates.

Pilot carrier A low-level carrier signal. It is used to help in the recovery of DSB and SSB signals.

PIN diode A device used as a switch or variable resistor in a microwave circuit. This PN-junction diodes has an I layer between the P and N sections.

PIN diode modulator A modulator using a special type of silicon junction diode designed for use at frequencies above approximately 100 MHz.

Pixel A tiny dot of light, thousands of which make up a television or computer monitor screen. Each pixel can be any of hundreds of colors.

PL-259 connector A male connector that fits on the end of a coaxial cable and provides a way to attach the shield braid and inner conductor.

Plaintext The name given to any message or data to be encrypted.

Plan-position indicator (PPI) A type of CRT display that shows both the range and the azimuth of a target on a radar set.

Plenum cable Coaxial or twisted-pair cable run between floors and across ceilings through special channels or chambers built into the structure.

PLL demodulator A circuit that recovers FM signals. It has an S/N ratio better than that of other FM detectors.

Point-contact diode A semiconductor diode made from a piece of P-type semiconductor material and a fine tungsten wire that makes contact with the semiconductor material at a small point of contact. Used in radar receivers.

Point of presence (POP) office A serving office used to provide interconnections to the IXCs.

Polar orbit A satellite orbit that passes over the north and south poles.

Polarization The orientation of the electric field in a radio wave with respect to the earth.

Pole A frequency at which there is a high impedance in the circuit.

Posigrade orbit An orbit that moves in the same direction as the earth's rotation.

POTS Plain old telephone system. The telephone network. See PSTN.

Power (flux) budget An accounting of all attenuation and gain in a fiber-optic system.

Power combiner A component, circuit, or waveguide assembly that sums the power outputs of two or more circuits.

Power divider A component, circuit, or waveguide assembly that equally divides a common input amongst two or more outputs.

Power meter A commonly used RF test meter that measures the forward and reflected power output of a circuit.

Power subsystem The basic power source of a satellite system. Most satellites use solar panels for its basic power source.

Preamble Multiple bytes of data in a packet protocol that help to establish clock synchronization.

Preemphasis A technique that helps to offset high-frequency noise interference in FM radio as well as correcting for distortion of digital signals on long cables.

Prescaler A special frequency divider normally used between the high-output frequency of a VCO and the programmable part of a divider in a PLL frequency synthesizer. Also a divider used ahead of a frequency counter.

Prescaling A frequency division technique that involves the division of the input frequency by a factor that puts the resulting signal into the normal frequency range of the counter.

Primary rate interface (PRI) An ISDN connection type made up of one twisted pair. This method uses 23 bearer (B) channels and one (D) channel multiplexed on the line.

Prime meridian Special meridian used as a reference point for measuring longitude.

Private automatic branch exchange (PABX) A telephone switching system that is extremely small, fast, and efficient. Many PABXs are designed to carry digital signals and analog voice signals.

Private branch exchange (PBX) A telephone switching system, dedicated to a single customer, which provides telephone switching and links inside an organization and also connects to the standard public telephone network.

Private telephone system Telephone service provided to companies or large organizations with many employees and many telephones.

Product detector A balanced modulator used to recover SSB or DSB signals.

Progressive scanning Line-after-line scanning used in HDTV and computer monitor screens.

Protocol Rules and procedures used to ensure compatibility between the sender and receiver of serial digital data.

Protocol analyzer A test instrument used to capture and analyze the data transmitted in a data communication system.

PSTN Public switched telephone network. The telephone system. See POTS.

Public key encryption (PKE) A method of encryption that uses two keys, one public and the other private.

Pulse-amplitude modulation (PAM) Modulation that produces a series of constant-width pulses whose amplitudes vary with the analog signal. The pulses are usually narrow compared to the period of sampling. Also a multilevel signal where each level represents 2 or more binary bits, e.g., PAM4 with four levels meaning 00, 01, 11, 10. This permits more bits to be transmitted in a given bandwidth.

Pulse-averaging discriminator A circuit that converts FM signals into constant-amplitude pulses and filters them into the original signal.

Pulse-code modulation (PCM) A form of time division multiplexing (TDM) in which multiple channels of digitized voice signals are transmitted in serial form. Each channel is assigned a time slot in which to transmit one binary word of data.

Pulse dialing The type of dialing produced by a rotary dialing mechanism in older telephones.

Pulse-duration modulation See Pulse-width modulation.

Pulse modulation (PM) Modulation used to transmit analog data in the form of pulses whose amplitude, width, or time position is varied.

Pulse-position modulation (PPM) A procedure in which the pulses change position according to the amplitude of the analog signal.

Pulse spectrum The frequency distribution of the sinusoidal components of a pulse in relative amplitude and relative phase.

Pulse-width modulation (PWM) or pulse-duration modulation (PDM) A procedure in which the width or duration of the pulses varies according to the amplitude of the analog signal.

Pulsed radar A radar system in which signals are transmitted in short bursts or pulses. page 903

Push-pull amplifier An amplifier using two tubes or transistors biased for Class AB, B, or C, connected in such an arrangement that both the positive and the negative alternations of the input are amplified.

Q

Q The quadrature signal is an I-Q modulator.

Q color signal A TV color signal with the following specifications: 21 percent red, 52 percent green, 31 percent blue.

Q section (matching stub) A quarter wavelength of coaxial or balanced transmission line of a specific impedance that is connected between a load and a source in order to match impedances.

Quadrative A 90° phase relationship.

Quadrature amplitude modulation (QAM) A modulation technique used in modems for increasing the number of bits per baud. It uses both amplitude and phase modulation of a carrier.

Quadrature detector An FM demodulator that produces a phase shift of 90° at the unmodulated carrier frequency. It is primarily used in TV audio demodulation.

Quadrature modulation A type of modulation-multiplexing that combines two carriers shifted by 90°, each modulated by a separate signal.

Quadrature (quaternary or quadra) phase PSK (QPSK) A system in which each pair of successive digital bits in the transmitted word is assigned a particular phase. It is used to increase the binary data rate while maintaining the bandwidth needed to transmit the signal.

Quantizing error Error associated with the analog-to-digital conversion process.

Quarter-wavelength vertical antenna An antenna whose main radiating element is a wire, tubing, or conductor that is one-quarter wavelength at the main operating frequency. Also called a Marconi or ground-plane antenna.

Quieting method A type of sensitivity measurement that determines the amount of RF input signal needed to reduce output noise to 20 dB.

R

R-Y signal A color signal also called *B-Y*. Combining three color signals causes *Y* to be subtracted from *R* or *B* signals.

Radar (radio detection and ranging) An electronic communication system based on the principle that high-frequency RF signals are reflected by conductive targets.

Radial A quarter-wavelength wire laid horizontally on the ground or buried in the earth at the base of an antenna to create an artificial ground plane.

Radiation resistance The impedance of an antenna at its driving point.

Radio The general term applied to any form of wireless communication from one point to another.

Radio frequency identification (RFID) A growing wireless technique similar to bar coding.

Radio horizon The distance at which direct wave signals can no longer be received. It is a function of the height of the transmitting and receiving antennas.

Radio wave An electromagnetic wave that can be reflected, refracted, diffracted, and focused.

Rayleigh fading See Multipath interference.

RC filter A filter using combinations of resistors and capacitors to achieve the desired frequency response.

RCA phonograph connector An inexpensive coaxial connector used primarily in audio equipment.

Reactance The opposition to AC flow that is offered by coils and capacitors.

Receiver The speaker in a telephone handset. A collection of electronic components and circuits that accepts the transmitted message from a channel and converts it back to a form understandable by people. A device in which a modulated light wave is picked up by a photodetector. The signal is amplified and then demodulated to recover the original signal.

Redundancy The simplest way to ensure error-free transmission. Each character or message is sent multiple times until it is properly received.

Redundant array of independent disks (RAID) A collection of hard disk drives used to store data remotely from a computer or server.

Reed Solomon A widely used forward error correction technique that encodes and decodes both wired and wireless data streams to improve reliability of data transfer.

Reed-Solomon (RS) code A forward error correction code that adds extra parity bits to the block of data being transmitted. It permits multiple errors to be detected and corrected.

Reference regulator A zener diode that receives the DC supply voltage as an input and translates it into a precise reference voltage.

Reflected power The power not absorbed by a load and bounced back to the transmitter.

Reflection When light rays strike a reflective surface, the light waves are thrown back, or reflected. The angle of reflection is equal to the angle of incidence. Radio waves are reflected by any conducting surface they encounter along a path.

Reflection coefficient The ratio of the reflected voltage wave V_r to the incident voltage wave V_i . It provides information on current and voltage along a transmission line.

Reflector A parasitic element that is typically about 5 percent longer than the half-wave dipole-driven element. A parabolic dish used in microwave antennas.

Refraction The bending of a light ray that occurs when light rays pass from one medium to another. The bending of radio waves in the ionosphere.

Regeneration The process of converting a weak optical signal to its electrical equivalent, amplifying and reshaping it electronically, and then retransmitting it on another laser. Also used to rejuvenate electrical signals transmitted over long distances.

Regenerative repeater A circuit that picks up transmitted signals, amplifies them, and retransmits them sometimes on another frequency.

Remote bridge A special bridge used to connect two LANs that are separated by a long distance.

Repeater A circuit that takes a partially degraded signal, boosts its level, and shapes it up. Over long distances, several repeaters may be required. A satellite used to receive information from a transmitting station and then retransmit it to receiving stations.

Resolution The amount of detail produced by a TV signal. In D/A converters, the total number of increments the D/A converter produces over its output voltage range.

Resonant circuit A tuned circuit or filter that has a maximum response, either voltage or current, at a particular (resonant) frequency. A circuit using a combination of inductance and capacitance or materials that exhibits resonance such as ceramic or quartz crystals.

Retrograde orbit The orbit that moves in the direction opposite to the earth's rotation.

Return to zero (RZ) encoding A method of encoding in which the voltage level assigned to a binary 1 level returns to zero during the bit period.

Reverse AGC A method of reducing gain by decreasing the collector current.

RF amplifier Also known as a preselector, or low-noise amplifier that provides some initial gain and selectivity in a receiver.

RF probe (detector probe) A rectifier with a filter capacitor that stores the peak value of the sine-wave RF voltage.

RF signal generator A signal generator used in testing. A variable-frequency oscillator or a frequency-synthesizer.

RF voltmeter A special piece of test equipment optimized for measuring the voltage of high-frequency signals.

RG-8/U coaxial cable One of two types of coaxial cable used in Ethernet networks and antenna transmission lines. It has a characteristic impedance of 53 Ω , is about 0.4 in. in diameter, and is referred to as thick cable.

RG-58/U coaxial cable A widely used thin cable, this cable is used for antenna transmission lines for CB radios and cellular telephones as well as for LANs.

Right-hand circular polarization (RHCP) The term that describes radiation that leaves an antenna with a clockwise rotation.

Ring A terminal on a telephone at which wires end.

Ring topology A LAN configuration in which one PC acts as a server and the computers are linked together in a closed loop. Data is usually transferred around the ring in only one direction, passing through each node.

Ringer A bell or electronic oscillator connected to a speaker that is used to indicate the presence of an incoming call.

Ringing A 20 Hz signal provided by a local telephone office that indicates when a specific telephone is receiving a call.

Ripple Amplitude variation with frequency in the passband, or the repetitive rise and fall of the signal level in the passband of some types of filters.

Rise time The time it takes a pulse voltage to rise from its 10 percent value to its 90 percent value.

RJ-11 connector A modular plug containing up to six terminals through which most telephones attach to an outlet.

RJ-45 connector A large modular connector used in terminating twisted pairs in Ethernet LANs. It contains up to eight terminals.

Root-mean-square (rms) An average that expresses current or voltage magnitude.

RS-232 One of the oldest serial data interfaces for connecting computers and other equipment. Also called a universal asynchronous receiver transmitter (UART).

RS-485 A popular serial data interface using a balanced unshielded twisted pair cable in industrial applications.

Router An intelligent device with decision-making and switching capabilities, designed to connect two networks.

Rubbing A term sometimes applied to the whole process of fine-tuning a crystal in an oscillator.

S

S-parameters Mathematical expressions developed from VNA measurements on a two-port network.

Sample-and-hold (S/H) circuit (track/store circuit) A circuit that accepts an analog input signal and passes it through, unchanged, during its sampling mode. In the hold mode, the amplifier remembers or stores a particular voltage level at the instant of sampling.

Sampling The process of “looking at” an analog signal for a brief time. During this interval, the amplitude of the analog signal is allowed to be passed or stored.

Satellite A physical object that orbits, or rotates, around some celestial body.

Satellite period (sidereal period) The time it takes for a satellite to complete one orbit.

Satellite receiver A special subsystem designed to work with a TV set, consisting of a dish antenna, a low-noise amplifier and down converter, an IF section with appropriate demodulators for both video and sound, and a method of interconnecting to a conventional TV set.

Satellite TV The distribution of TV signals via satellite.

SatNav receiver A communication receiver designed to be used as part of a satellite navigation system.

SAW filter A solid-state filter used to obtain bandpass selectivity in RF or IF amplifiers.

Scanning A technique that divides a rectangular scene up into individual lines.

Scattering Light lost due to light waves entering at the wrong angle and being lost in the cladding of a cable because of refraction.

Scattering (S) parameter Mathematical expressions of measurements that define a linear network or device derived from a VNA.

Scatternet A linking of piconets.

Schmitt trigger circuit A level detector that switches between specific voltage levels.

Schottky diode A diode made with N-type silicon with a thin metal layer. Also known as a hot carrier diode.

Secure socket layer (SSL) A process involving encryption and authentication to provide for secure transactions like credit card purchases over the Internet.

Selective fading A phenomenon that occurs when the carrier and sidebands arrive at a receiver a slightly different times, causing a phase shift that can make them cancel one another instead of adding up to the original AM signal.

Selectivity The ability of a communication receiver to identify and select a desired signal from the thousands of others present in the frequency spectrum and minimize all others.

Semiconductor diode A unidirectional current junction formed of P- and N-type semiconductor materials.

Semiconductor noise Noise created by electronic components such as diodes and transistors.

Sensitivity The ability of a communication receiver to pick up weak signals. This is mainly a function of overall gain.

Serial data transfer Data transfer in which each bit of a word is transmitted one after another.

Serial-parallel conversion A technique for converting between serial and parallel transmission and vice versa. It is usually done by shift registers.

Serializer/deserializer (SERDES) device A circuit used for serial-to-parallel or parallel-to-serial data conversion.

Series modulator An amplitude-modulating scheme that eliminates the need for a large, heavy, and expensive modulation transformer.

Series resonant circuit A circuit made up of inductance, capacitance, and resistance used in filters.

Settling time The amount of time it takes for the output voltage of a D/A converter or S/H circuit to stabilize to within a specific voltage range after a change in binary input.

Shadow fading Fading caused by objects coming between a transmitter and a receiver, for example, when a large building comes between a vehicle containing a transceiver and a base station transceiver.

Shannon-Hartley theorem The relationship between channel capacity, bandwidth, and noise. This is expressed as $C = B \log_2 (1 + S/N)$.

Shape factor The ratio of the pass bandwidth to the stop bandwidth of a bandpass filter. The smaller the ratio, the greater the selectivity. The steepness of the skirts or the skirt selectivity of a receiver.

Shielding The process of surrounding EMI-emitting circuits or sensitive receiving circuits with a metal enclosure to prevent the radiation of pickup of signals.

Shift register A sequential logic circuit made up of a number of flip-flops connected in cascade.

Shot noise Noise produced by the random movement of electrons or holes across a PN junction. Also, the most common type of semiconductor noise.

Sideband A new signal generated as part of the modulation process. Sidebands are at sum and difference frequencies directly above and directly below the carrier frequency.

Sidereal period See Satellite period.

Sigfox A proprietary wireless technology used in IoT.

Sigma-delta ($\Sigma\Delta$) converter A variation of the delta converter, also known as a delta-sigma or charge balance converter. This circuit provides extreme precision, wide dynamic range, and low noise in analog-to-digital conversion.

Signal bandwidth The frequency range occupied by a signal.

Signal bias A bias method used in Class C amplifiers involving adjusting the time constant of R_1 and C_1 so that an average DC reverse-bias voltage is established. The applied voltage causes the transistor to conduct, but only on the peaks.

Signal generator A device that produces an output signal of a specific shape at a specific frequency and, in communication, usually with some form of modulation.

Signal injection A common way to troubleshoot receivers by using a signal generator of the correct output frequency to test stages of a receiver or transmitter for the correct output response.

Signal plus noise and distortion See SINAD.

Signal processing The manipulation of a signal by amplification, filtering, modulation, or other mathematical operations.

Signal-to-noise ratio (S/N or SNR) A ratio indicating the relative strengths of a signal and noise in a communication system.

Signal tracing A common way to troubleshoot equipment by using a signal detection device to follow a signal through various stages of the equipment.

Silica Another name for glass.

Simplex communication Communication that flows in one direction.

SINAD (signal plus noise and distortion) A way of expressing the quality of communication receivers. SINAD equals the composite signal plus the noise and distortion divided by noise and distortion contributed by the receiver.

SINAD test A method of sensitivity measurement that determines the input signal voltage that will produce at least a 12-dB signal-to-noise ratio. page 905

Single-conversion down converter A circuit used to translate the frequency of a transmitted or received signal to a lower frequency. A mixer with an output that is at a lower frequency than its input.

Single-conversion transponder A device that uses a single mixer to translate the uplink signal to the downlink frequency.

Single data message format (SDMF) A message format used in caller ID.

Single-mode step index cable A cable used for long-distance transmission and maximum content. It eliminates modal dispersion by minimizing the paths through the core.

Single-sideband suppressed carrier (SSSC) or single-sideband (SSB) modulation A form of AM in which the carrier is suppressed and one of the sidebands is eliminated.

Single-sideband transceiver A transceiver that utilizes single sideband signals. Like AM and CW transceivers, in this transceiver the transmitter and receiver can share many circuits.

Skin effect The tendency of electrons to flow near and on the outer surface of a conductor at frequencies in the VHF, UHF, and microwave regions.

Skip distance The distance from the transmitting antenna to the point on earth where the first refracted signal strikes the earth and is reflected.

Skirt selectivity The steepness of the sides of a tuned circuit response curve.

Sky wave A signal that is radiated by an antenna into the upper atmosphere, where it is bent back to the earth because of refraction in the upper atmosphere.

Slope detector The simplest frequency demodulator. It makes use of a tuned circuit and a diode detector to convert frequency variations into voltage variations.

Slot antenna A radiator made by cutting a half-wavelength rectangular opening in a conducting sheet of metal or into a waveguide. It is used on high-speed aircraft.

SMA connector A coaxial cable connector that is characterized by the hexagonal shape of the body of the male connector.

Small cell A miniature cellular base station with limited coverage range and subscriber capacity, used to fill in coverage gaps and provide a boost in data speed and reliability.

Small-signal diode A diode used for signal detection and mixing. Two examples are the point-contact diode and the Schottky barrier, or hot-carrier, diode.

Small-signal microwave amplifier An amplifier made of a single transistor or multiple transistors combined with a biasing circuit and any microstrip circuits or components as required. Most of these amplifiers are of the integrated circuit variety.

Smart phone The most advanced and sophisticated cell phone handset to date, incorporating a large color touch screen, 4G LTE technology, Wi-Fi, Bluetooth, GPS, and multiple processors.

Smith chart A graph that permits visual solutions to transmission-line calculations.

Snap-off varactor See Step-recovery diode.

Snell's law A formula that gives the relationship between the angles and the indices of refraction.

Software-defined radio A receiver, transmitter, or transceiver in which most of the functions are performed by programs or subroutines in a DSP.

Solar panel A device that converts the light energy of the sun into a voltage. It is the most common source of power used in satellites.

SONET See Synchronous Optical Network.

Space segment The part of a satellite communication or navigation station that is in space.

Space wave A wave that travels in a straight line directly from the transmitting antenna to the receiving antenna. It is also known as line-of-sight communication.

Spam Unwanted and unsolicited email messages.

Spatial isolation A technique used to increase the bandwidth and signal-carrying capacity of a satellite.

Spatial multiplexing or diversity (frequency reuse) The transmission of multiple wireless signals on a common frequency in such a way that the signals do not interfere with one another.

Spectral efficiency How well a specific bandwidth of spectrum is used for high-speed data transmission. A measure of how many bits/second can be sent over a restricted bandwidth. The measure is bits per second per Hertz (bps/Hz). The type of modulation defines the speed per bandwidth.

Spectrum analysis The process of examining a signal to determine its frequency content.

Spectrum analyzer An oscilloscope-like test instrument used to display received signals in the frequency domain.

Speech processing The way the voice signal used in communication is modified before being applied to the modulator.

Speed of light Approximately 300,000,000 m/s, or about 186,000 mi/s, in free space. Light waves travel in a straight line.

Splatter A type of harmonic sideband interference, so called because of the way it sounds at the receiver.

Splicing Permanently attaching the end of one fiber-optic cable to another. Also connecting electrical conductors.

Split pair A wiring error often made when a cable contains multiple twisted-pair lines.

Spread spectrum (SS) A modulation and multiplexing technique that distributes a signal and its sidebands over a very wide bandwidth.

Spyware Software attached to your computer unknowingly that monitors your activity, computer usage, and collects data and reports it back to its initiator without your knowledge or permission.

Square-law function A current variation in proportion to the square of the input signals.

Quelch (muting) circuit A circuit used to keep the receiver audio turned off until an RF signal appears at the receiver input.

SSB See Single-sideband.

Standards In communication systems, specifications and guidelines that companies and individuals follow to ensure compatibility between

transmitting and receiving equipment.

Standing wave A composite of forward and reflected voltage distributed along a transmission line, not matched to the load, which indicates that the power produced by the generator is not totally absorbed by the load.

Standing wave ratio (SWR) The ratio of maximum current to minimum current, or the ratio of maximum voltage to minimum voltage along a transmission line.

Standing wave ratio (SWR) meter A meter that measures forward and reflected power and therefore can display SWR.

Star topology A network configuration consisting of a central controller node and multiple individual stations connected to it.

Start and stop bits Binary levels that indicate the beginning and ending of a word in asynchronous data transmission.

Start frame delimiter (SFD) The portion of a packet protocol that announces the beginning of the packet.

Start of header (SOH) character The character that begins a frame. It is an ASCII character which means that the transmission is beginning.

Start of text (STX) character An ASCII character indicating the start of text.

Static Electrical disturbances that occur naturally in the earth's atmosphere. Also called atmospheric noise.

Step index cable A cable with a sharply defined step in the index of refraction where the fiber core and the cladding interface.

Step-recovery diode A PN-junction diode made with gallium arsenide or silicon.

Stop band The range of frequencies outside the passband, that is, the range of frequencies that are greatly attenuated by the filter. Frequencies in this range are rejected.

Storage area network (SAN) A network of disk drives used to access massive amounts of data.

Subcarrier In an FDM system, each signal to be transmitted feeds a modulator circuit. The carrier for each modulator is on a different frequency and is called a subcarrier.

Subcarrier oscillator (SCO) A modulated oscillator used in a page 906 telemetry system.

Submillimeter wave An electromagnetic wave at a frequency below 30 GHz.

Subsatellite point (SSP) The point on the earth that is directly below a satellite and through which the satellite's location is specified.

Subscriber interface (subscriber line interface circuit, SLIC) A group of basic circuits that power the telephone and provide all the basic functions such as ringing, dial tone, and dialing supervision.

Subscriber loop See Local loop.

Subsidiary communication authorization (SCA) signal A separate subcarrier of 67 kHz that is frequency-modulated by audio signals, usually music, and transmitted with an FM broadcast signal.

Successive approximations converter A type of A to D converter in which the bits driving a DAC are turned on one at a time from MSB to LSB to

estimate input voltage level.

Successive approximations register (SAR) A special register that causes each bit in a register driving a DAC to be turned on one at a time from MSB to LSB until the closest binary value is stored in the register.

Superheterodyne A receiver that converts signals to the intermediate frequency and for which a single set of amplifiers provides a fixed level of sensitivity and selectivity.

Superheterodyne RF spectrum analyzer A widely used type of RF spectrum analyzer.

Superhigh frequency (SHF) The frequency range from 3 to 30 GHz.

Supervision The group of functions in the subscriber line interface that monitor local loop conditions and provide services.

Surface acoustic wave (SAW) filter A special form of crystal filter. It operates like a fixed tuned bandpass filter designed to provide the exact selectivity required by a given application.

Surge impedance See Characteristic impedance.

Surveillance satellite A satellite used for purposes such as military reconnaissance, map making, and weather forecasting.

Sweep generator A signal generator with an output frequency that can be linearly varied over some specific range.

Switch A hublike device used to connect individual PC nodes to the network wiring.

Switch hook A double-pole mechanical switch that is usually actuated by a telephone handset.

Switched capacitor filter (SCF) An active IC filter made of op amps, capacitors, and transistor switches. It can be designed to operate as a high-pass, low-pass, bandpass, or bandstop filter.

Switched integrator The basic building block of a switched capacitor filter (SCF).

Switching amplifier A transistor that is used as a switch and is either conducting or nonconducting.

Symbol A unit of carrier signal modified by amplitude, frequency, phase, or some combination of these to represent multiple bits of a data stream to be transmitted.

Sync pulse A pulse applied to one of the input channels at a transmitter to synchronize the multiplexed channels at the receiver.

Synchronizing circuit A circuit needed to keep the sweep of a TV receiver in step with the transmitted signal.

Synchronous data link control (SDLC) protocol A flexible and widely used synchronous protocol, it is used in networks that are interconnections of multiple computers.

Synchronous data transmission The technique of transmitting each data word one after another without start and stop bits, synchronized with a clock signal, usually in multiword blocks.

Synchronous detection A method in which an internal clock signal at the carrier frequency in a receiver switches the AM signal off and on, producing rectification similar to that in standard diode detectors.

Synchronous detector A circuit that uses an internal clock signal at the carrier frequency to switch the AM signal off and on.

Synchronous (geostationary or geosynchronous) satellite A satellite that appears to remain in a fixed position because it rotates in exact synchronism with the earth.

Synchronous Optical Network (SONET) An optical network developed to transmit digitized telephone calls and data over fiber-optic cable at high speed.

T

T-1 system A PCM system developed by Bell Telephone for transmitting telephone conversations by high-speed digital links. It multiplexes 24 voice channels onto a single line using TDM techniques.

T-carrier system A digital telephone system used throughout the United States.

T junction See T section.

T network A type of impedance-matching network. The configuration of circuit elements resembles the letter T.

T section A device used to split or combine two or more sources of microwave power.

Tank circuit A parallel-resonant LC circuit.

TCP/IP protocol A software protocol, at the heart of the Internet, that ensures that data is properly partitioned, transmitted, received, and reassembled.

TDD Time-division duplexing.

TDR tester (cable analyzer or LAN meter) An instrument used to make tests and measurements of items such as opens or short circuits, cable attenuation, or cable miswiring.

Technician A person working in the electronics industry with some kind of postsecondary education in electronics — usually 2 years of formal, post-high school training usually involved with equipment service, maintenance, repair, installation, or operation.

Technologist In the field of electronics, a technologist usually holds a bachelor's degree in electronics technology from a technical college or university usually employed as an engineer.

Tee switching configuration In a PIN diode, a combination of two series switches and a shunt switch.

Telemetry A communication system used for remote monitoring or measurement.

Telemetry, command, and control (TC&C) subsystem Equipment consisting of a receiver and the recorders and indicators that allow a ground station to monitor and control conditions in a satellite.

Telephone hierarchy The organization of the path in which a call travels from the person placing the call to the person receiving the call.

Telephone set An analog baseband receiver with a microphone and speaker, better known as a transmitter and a receiver. It also uses a ringer and dialing

mechanism.

Telephone system An analog system originally designed for full-duplex communication of voice signals. It now employs digital techniques.

Terahertz (THz) One trillion cycles per second.

Termination A resistive load connected to a transmission line or waveguide to prevent reflections on the line.

Test signal A special tone placed on the local loop by the phone company to check the status and quality of lines.

Thermal agitation Random variation of electrons in an electronic component due to heat energy.

Thermal noise Noise resulting from the random motion of free electrons in a conductor caused by heat.

Thermistor A resistor whose resistance varies inversely with temperature.

Third-order intercept test (TOI or IP3) A measure of the linearity of amplifiers, mixers, and other circuits.

Thread A wireless technology based upon the 802.15.4 standard optimized for mesh networks.

Time delay (transit time) The time it takes for a signal applied at one end of a transmission line to appear at the other end of the line.

Time division multiple access (TDMA) A special form of time division multiplexing that provides multiple voice channels per satellite or telephone spectrum.

Time division multiplexing (TDM) A time-sharing or sampling technique that makes it possible for each signal to occupy the entire bandwidth of a channel. However, each signal is transmitted for only a brief period of time.

Time domain display A display of variations in voltage, current, or power with respect to time as on an oscilloscope screen.

Time domain reflectometry (TDR) A test for all types of cables and transmission lines. It is widely used in finding faults in cables used for digital data transmission.

Tip A terminal on a telephone at which wires end.

page 907

Tone dialing A dialing system used in most modern telephones that uses pairs of audio tones to create signals representing the numbers to be dialed. See DMTF.

Top hat In a shortened antenna, an arrangement in which conductors are added at the top of the antenna.

Topology The physical paths used to connect the nodes on a network.

Toroid A doughnut-shaped core used in RF transformers, usually made of a special type of powdered iron.

Transceiver A communication equipment package in which both transmitter and receiver are in a single unit.

Transferred-electron device (TED) See Gunn diode.

Transimpedance amplifier (TIA) The input stage of a light receiver circuit during which the diode current is converted into an output voltage and amplified.

Transit system A satellite navigation system used by the U.S. Navy.

Transit time See Time delay.

Transit-time noise Noise caused by the time it takes for a current carrier such as a hole or an electron to move from the input to the output.

Transmatch circuit A type of antenna tuner that uses a coil and three capacitors to tune the antenna for optional SWR.

Transmission line A cable that carries radio signals, telephone signals, computer data, TV signals, etc. The two requirements of any transmission line are that it introduce minimum attenuation and distortion of the signal, and not radiate any of the signal as radio energy.

Transmission line transformer A type of transformer widely used in power amplifiers for coupling between stages and impedance matching.

Transmit-receive (TR) tube A special vacuum tube used as a fast high-power switch that permits both the receiver and a high-power transmitter to share a single antenna without damage to the receiver.

Transmit subsystem In a satellite, collection of electronic equipment that takes the signal to be transmitted, amplifies it, and sends it to the antenna.

Transmitter A collection of electronic components and circuits designed to convert an electrical signal into one that can be transmitted over a given medium.

Transponder The transmitter-receiver combination in a satellite.

Transverse electric (TE) field The electric field at a right angle to the direction of wave propagation.

Transverse magnetic (TM) field The magnetic field transverse to the direction of propagation.

TRAPATT diode A PN-junction diode made of silicon, GaAs, or InP. It is designed to operate with a high reverse bias that causes it to avalanche, or break down.

Traveling-wave tube (TWT) A versatile microwave RF power amplifier. It can generate hundreds and even thousands of watts of microwave power.

Tree topology A bus topology in which each node has multiple interconnections to other nodes through a star interconnection.

Trellis code modulation (TCM) A special form of QAM that facilitates error detection and correction.

Triode A type of vacuum tube with three elements — the cathode, the grid, and the plate.

Tripler A frequency multiplier that multiplies the frequency by 3.

Trunk cable The main output cable in a modern cable TV system usually a fiber-optic cable.

Trunked repeater system A system in which two or more repeaters are under the control of a computer system that can transfer a user from an assigned but busy repeater to another, available repeater.

TTY Teletypewriter.

Tunable laser A laser used in fiber-optic systems whose frequency can be varied by changing the DC bias on the device or mechanically adjusting an external cavity.

Tuned circuit A circuit made up of inductors and capacitors that resonate at specific frequencies.

Tuner An RF unit with LNA, mixer and local oscillator used as the front-end in a receiver to produce an IF output.

Tuning synthesizer A local oscillator set to frequencies that will convert the RF signals to the IF.

Turbo code A kind of forward error correction code using feedback to improve transmission reliability in the presence of noise.

TV remote control A small handheld battery-powered unit that transmits a serial digital code via an IR beam to a receiver that decodes it and carries out the specific action defined by the code.

TV signal Voice and video signals that occupy a channel in the spectrum with a bandwidth of 6 MHz.

TV spectrum allocation An allotted range. For example, using VHF and UHF frequencies, TV stations in the United States use the frequency range between 54 and 806 MHz. Sixty-eight 6-MHz TV channels are assigned frequencies within this range.

TVRO (TV receive-only) system A satellite receiver containing circuitry for controlling the positioning of a satellite dish antenna.

Twisted pair Two insulated copper wires twisted together loosely to form a transmission line.

Type-P display A kind of radar display using a cathode-ray tube (CRT) that shows target reflections as vertical “blips” with respect to a horizontal time sweep across the face of the CRT.

U

Ultrahigh frequency (UHF) The frequency range from 300 to 3000 MHz.

Ultraviolet range The range of frequencies above violet visible light, which has a wavelength of 400 nm, or $0.4 \mu\text{m}$.

Ultrawideband (UWB) radar Radar in the form of pulsed radar that radiates a stream of very short pulses several hundred picoseconds long. The resulting spectrum is very broad.

Ultrawideband (UWB) wireless A type of wireless that transmits data in the form of very short pulses.

Unbalanced transmission line A transmission line in which one conductor is connected to ground.

Undersampling Sampling or digitizing an analog signal at a rate less than the minimum Nyquist rate for the purpose of frequency translation or sampling rate reduction benefits.

Unidirectional antenna An antenna that sends or receives signals in one direction only.

Uniform resource locator (URL) A special address used to locate sites on the Web.

Up conversion The process in which the original signal is generated at a lower frequency and then converted to a higher frequency for transmission.

Uplink The original signal transmitted from an earth station to a satellite. Also the transmission of a signal from a cell phone or other user device back to

the base station or access point.

User datagram protocol (UDP) A protocol used with TCP/IP.

V

Varactor A diode designed to optimize the variable capacitance exhibited as reverse bias is changed.

Varactor diode A voltage variable capacitor. When a reverse bias is applied to the diode, it acts like a capacitor.

Varactor modulator A modulator that utilizes a varactor.

Variable frequency oscillator (VFO) An oscillator used to provide continuous tuning over a desired range.

Varistor A nonlinear resistance element whose resistance changes depending upon the amount of voltage applied across it.

Vector Network Analyzer (VNA) A test instrument used to characterize microwave circuits and components using S-parameters.

Vector signal analyzer (VSA) A test instrument that digitizes a signal and analyzes it with software to determine modulation, spectrum, bandwidth, and other characteristics that are displayed on an LCD screen.

Vector signal generator (VSG) A test instrument that uses software and direct digital synthesis (DDS) to generate complex modulated signals for wireless system testing.

V2X Vehicle to everything and vehicle to vehicle (V2V). Radio communications between vehicles and between vehicles and roadside units for information, safety, and convenience. A future system to be mandated by the government.

Velocity factor The ratio of the velocity of propagation of a signal in a transmission line to its velocity in free space. [page 908](#)

Vertical-cavity surface-emitting laser (VCSEL) A laser used in fiber-optic systems that is made on the surface of silicon wafer - like transistors and integrated circuits.

Vertical radiation pattern The part of the doughnut-shaped radiation pattern of an antenna indicating its vertical response.

Very high bit rate digital subscriber line (VDSL) A version of DSL that can achieve bit rates of 50 to 100 Mbps over twisted-pair telephone cable.

Very high frequency (VHF) The frequency range from 30 to 300 MHz.

Very low frequency (VLF) The frequency range from 15 to 20 kHz.

Vestigial sideband signal An AM signal where a portion of one sideband is suppressed. Used in TV.

Video intermediate frequency A standard 45.75-MHz frequency for TV pictures or 41.25 MHz for sound.

Video signal A voltage variation representing variations in light intensity along a scan line.

Virtual private network (VPN) A technique that uses software to establish a virtual network over an LAN or the Internet for the purpose of providing

security only to authorized users.

Virtualization Creating equivalent virtual or not real computing equipment and systems.

Virus An unwanted program that disrupts or destroys the software and hardware of a computer.

Visible light The frequency in the 400- to 700-nm range, or 0.4 to 0.7 μm , depending upon the color of the light.

Visible spectrum A group of signals with frequencies ranging from 0.4 to 0.7 μm .

Vocoder A circuit that digitizes voice signals. *See also* Codec.

Voice frequency (VF) A group of signals with frequencies ranging from 300 to 3000 Hz. This is the range of normal speech.

Voice over Internet Protocol (VoIP) Transmitting digitized and compressed voice signals over the Internet and other IP networks.

Voice over LTE The same as VoIP but specifically over LTE cell phone systems.

Voice mail *See* Answering machine.

Voltage-controlled oscillator (VCO) or voltage-controlled crystal oscillator (VXO) A circuit in which the varying direct or alternating current changes the frequency of an oscillator operating at the carrier frequency. An oscillator often used in applications in which voltage to frequency conversion is required. Its frequency is controlled by an external input voltage.

Von Neumann architecture The stored-program concept that is the basis of operation of all digital computers.

Von Neumann bottleneck Term describing the fact that only one path exists between the memory and the CPU. Therefore, only one data or instruction word can be accessed at a time. This greatly limits execution speed.

W

Waveguide A hollow metal conducting pipe designed to carry and constrain the electromagnetic waves of a microwave signal. It has a rectangular or circular cross section and is made of copper, aluminum, or brass.

Waveguide cutoff frequency The frequency below which a waveguide will not transmit energy.

Wavelength The distance occupied by one cycle of a wave (usually expressed in meters).

Wavelength division multiplexing (WDM) Frequency division multiplexing (FDM) used on fiber-optic cable. It permits multiple channels of data to operate independently on different light wavelengths in a fiber-optic cable.

WCDMA- wideband CDMA A version of CDMA that uses 5 MHz wide channels to implement 3G cell phone systems. A standard based on the 3GPP.

Weightless A wireless technology that uses the TV white spaces for IoT and other applications.

White (Johnson) noise Noise containing all frequencies randomly occurring at random amplitudes.

White space Unused TV channels that can be used for license-free data communications services. Also called TV white space (TVWS).

Wide-area network (WAN) One of three basic types of electronic networks in common use. The long-distance telephone systems linked together are also this type of network. The Internet backbone is a WAN.

Wide-wavelength division multiplexing (WWDW) A variation of 10-Gbit Ethernet in which data is divided into four channels and transmitted simultaneously over four different wavelengths of infrared light near 1310 nm. It is similar to frequency division multiplexing.

Wi-Fi The trade name of the wireless local area networking technology defined by the IEEE 802.11 standard. It uses the 2.4- and 5.8-GHz bands to send high-speed data at a range up to 100 meters. It is widely used to access the Internet via hot spots with a laptop computer.

WiGig The trade name of a wireless LAN technology using the IEEE 802.11ad standard in the 60-GHz band.

WiMAX World interoperability for Microwave Access. The trade name for a broadband wireless technology based on the IEEE 802.16 standard. Use for fixed broadband access and for mobile access at high data rates with cell sites up to 3 mi away.

Wireless LAN A network communicating through radio and infrared techniques. In this system, each PC must contain a wireless modem or transceiver.

World Wide Web A special part of the Internet where companies, organizations, government, or individuals can post information for others to access and use.

X

xDSL modem A specific digital subscriber line (DSL) standard. The “x” is one of several letters that define the standard.

Xmodem protocol A protocol used for asynchronous ASCII-coded data transmission between computers via modem. These transmissions begin with a NAK character.

Y

Yagi antenna A directional gain antenna made up of a driven element and one or more parasitic elements.

Z

Zero A frequency at which there is zero impedance in a circuit.

Zero IF (ZIF) receiver See Direct conversion receiver.

ZigBee The trade name of a wireless technology that is based on the IEEE standard 802.15.4. It uses low-speed data in the ISM UHF and low microwave bands to implement monitor and control functions over short distances in home, commercial, and industrial applications. It is based on the concept of mesh networks.

A

- Absolute field strength meter, 848
- Absolute scale, 315
- Absorption, 737
- Absorption wave meter, 849
- Acceptance angle, 729
- Access. *See also specific access*
 - LTE, 782
 - multiple. *See* Multiple access
- Access method, 509
- Access points (AP), 808
- Accumulator, 255
- Acknowledge (ACK) character, 395
- Active filters, 57, 69–71
- Adaptive beam forming antenna, 666–668
- ADAS (advanced driver assistance systems), 23
- A/D (analog-to-digital) conversion/converters, 199–202, 214–224, 297, 409, 430, 432–433, 610, 666
 - flash converter, 217–218
 - pipelined converter, 219
 - sigma-delta ($\Sigma\Delta$) converter, 222–224
 - specifications, 219–224
 - successive-approximations, 215–217
- Additive white Gaussian noise (AWGN), 322
- ADRV9009 from Analog Devices, 793, 794
- Advanced driver assistance systems (ADAS), 23
- Advanced Encryption Standard (AES), 606, 805
- Advanced Research Project Agency (ARPA), 588
- AD8338 variable gain IC IF amplifier, 329
- AES (Advanced Encryption Standard), 606
- Air-core transformers, 283
- Aircraft radio, 114
- AKM (apogee kick motor), 694
- AlGaAs (aluminum-gallium-arsenide), 262
- Aliasing, 203–205
- All-pass filter, 57
- Alternative mark inversion (AMI), 349
- Aluminum-gallium-arsenide (AlGaAs), 262
- AM. *See* Amplitude modulation (AM)

- Amateur radio, 23, 114
- Amazon, 581, 600, 705
- Amazon Prime, 599
- AM broadcast radio, 114
- AM broadcast signals, 567
- American National Standards Institute (ANSI), 496, 521, 584
- American Standard Code for Information Interchange (ASCII), 8, 342-343
- AMI (alternative mark inversion), 349
- Amplification, 754
- Amplifiers
 - class A, 260-261
 - class AB linear, 260
 - class B, 260
 - class C, 260, 263-268
 - class D, 270-271
 - class E, 271-272
 - class F, 272
 - defined, 695
 - Doherty, 277
 - feedforward, 273-274
 - IF, 326-327
 - linear, 260-263
 - linear broadband power, 272-277
 - low-noise. See Low-noise amplifier (LNA)
 - microwave, 629-631
 - power. See Power amplifier (PA)
 - RF/low-noise, 295-296, 323-326
 - switching, 260-261
 - transimpedance, 748
- Amplitude demodulators. See Demodulators
- Amplitude modulation (AM), 10, 94-116, 724, 725
 - applications, 170
 - band, DXing on, 883
 - concepts, 94-96
 - digital modulation, 104-106
 - FM vs., 169-170
 - frequency-domain display, 102-104
 - high-level, 126-130
 - low-level, 123-126
 - principles of, 120-123
 - pulse, 115
 - quadrature, 115
 - radio broadcasting, 22
 - radio usage, 114-115
 - sidebands, 19, 100-102, 110-114, 143-147
 - signal power, 106-110, 113-114
 - signals, 19-20
 - single-sideband modulation, 110-114, 143-147

- in time domain, 120-121
- transmitters, 238-240
- Amplitude-shift keying (ASK), 104, 724
 - demodulators, 134, 137
 - modulators, 130-131
 - radio usage, 114-115
- AM radio stations, 239
- Analog multiplier, 143
- Analog oscilloscope, 831
- Analog sampled data filters. *See* Switched capacitor filters (SCF)
- Analog signals, 7-8
- Analog-to-digital (A/D) conversion/converter, 199-202, 214-224, 275, 297, 409, 430, 432-433, 610, 666
 - flash converter, 217-218
 - pipelined converter, 219
 - sigma-delta ($\Sigma\Delta$) converter, 222-224
 - specifications, 219-224
 - successive-approximations, 215-217
- Analyzers
 - bit error rate, 864
 - optical signal, 866
 - protocol, 865
 - spectrum, 86, 91, 102, 840-842
 - TDR tests with, 864-865
 - vector network, 844-848
 - vector signal, 842-844
- Angle modulation, 150
- Angle of elevation, 685, 688
- Angle of incidence, 721
- Angle of inclination, 684-685
- Angstroms (\AA), 18, 720
- ANR (automatic neighbor relations) software, 796
- ANSI. *See* American National Standards Institute (ANSI)
- Antenna(s), 530-574
 - adaptive beam forming, 666-668
 - bandwidth, 541-542
 - basic, 537-538
 - conical, 542-543
 - dielectric/lens, 658-659, 664
 - dipole, 539-545
 - directivity, 543-545, 551-552
 - Fifth Generation (5G) wireless cellular, 785-786
 - fundamentals, 531-538
 - helical, 656-657
 - horn, 649-652
 - intelligent/smart, 664-666
 - length, 548-550
 - LHCP, 692

- low-frequency, 648
- microwave. *See* Microwave antennas
- nature of, 533-535
- operation, 533-536
- parabolic, 652-655
- patch, 659-660
- phased array, 660-663, 664
- printed-circuit, 663, 664
- radiation pattern of, 543-545
- radio wave propagation, 562-575
- reciprocity, 537
- slot, 657-658
- subsystems, 700
- tests, 853-854
- tuners, 560-561
- types of, 539-561

Antenna array, 553

Antenna gain, 545-546

Antenna matching, 559

Antenna Q, 541-542

Antenna radiation resistance, 535

Antenna resonance, 541

Antenna tuning, 559

Antialiasing filter, 203-204

Antilogs, 37-39

Antispam software, 608-609

Antispyware software, 608-609

Anti-transmit-receive (ATR) tube, 674

Antivirus, 608-609

AP (access points), 808

APD (avalanche photodiode), 747

Apogee, 684

Apogee kick motor (AKM), 694

Apple, 600

- iBeacon, 810

Application layer, OSI model, 494

Applications subsystems, 697

Arbitrary waveform generator, 838

ARPA (Advanced Research Project Agency), 588

ARQ (automatic repeat request), 385

Arrayed waveguide grating (AWG), 756-757

Arrays, 553-557

- driven, 555-557
- parasitic, 553-555

Ascending, angle of inclination, 685

ASCII (American Standard Code for Information Interchange), 8, 342-343

ASK. See Amplitude-shift keying (ASK)
Asymmetric, 379
Asymmetric encryption, 606
Asynchronous digital subscriber line (ADSL), 379–381
Asynchronous protocols, 394–395
Asynchronous transfer mode (ATM), 583–584
Asynchronous transmission, 346–347
ATM (asynchronous transfer mode), 583–584
Atmospheric noise, 312–313
Atomic clocks, 710. See *also* Global Positioning System (GPS)
ATR (anti-transmit-receive) tube, 674
Attenuation, 5, 34–36, 62, 496, 736–737
Audio amplifier, 239
Audio video bridging (AVB), 515
Authentication, 607
Automatic gain control (AGC), 297, 327–330
Automatic neighbor relations (ANR) software, 796
Automatic repeat request (ARQ), 385
Automatic splicers, 866
Automotive Ethernet, 515
Autoranging, 839
Autotransformers, 284
Avalanche photodiode (APD), 747
AVB (audio video bridging), 515
AWG (arrayed waveguide grating), 756–757
AWGN (additive white Gaussian noise), 322
Azimuth, 688
Azimuth angle, 688

B

Backhaul, 795–796
Backscatter modulation, 815
Balanced modulators, 111, 138–143
 defined, 138
 IC, 141–143
 lattice, 138–141
Balanced transmission line, 447–448, 520
Baluns, 283, 285–287, 448, 560
Band(s)
 ISM, 811
 LTE, 777–779
 microwave, 615
Bandpass filter (BPF), 57, 66–68, 71, 622, 699
Band-reject filters, 57, 61–62, 69
Bandstop filters, 61–62, 68–69. See *also* Notch filters

Bandwidth (BW), 18–21, 55, 206–207, 292
 of antenna, 541–542
 channel, 19
 defined, 18, 727
 fiber-optic cables, 737
 Fifth Generation (5G) wireless cellular, 785–786
 FM signal, 162–163
 horn antenna, 652
 LTE, 777
 Nyquist, 202
 of radio channels, 162–163
 ratio, 63
 rise time and, 88–91
 of series resonant circuit, 49
 transmission media and, 350–353
Barrel connector, 451
Baseband signals, 694
Baseband transmission, modulation in, 9
Base stations, 789–790. *See also* Cell phones
Basic crystal oscillator (XO), 245
Baudot code, 341
Baud rate, 344–346
BAW (bulk acoustic wave) filters, 75
Bayonet connectors, 739
BCC (block-check character), 388
BCS (block-check sequence), 388
Beam antenna, 554
Beam forming antenna, 666–668
Beam width, 545
 horn antenna, 649–651
 parabolic antenna, 654
Beat, 331
Beat frequency oscillator (BFO), 331
BeiDou, 715
Bell Telephone Company, 770
BER. *See* Bit error rate (BER)
Bessel filters, 65–66
Bessel function, 158–162
BFO (beat frequency oscillator), 331
Biasing methods, 264–265
BiCMOS, 324
Bicone antennas, 657
Bidirectional antenna, 551
Bidirectional coupler, 638
Bifilar windings, 560
Bin, 380
Binary codes, 8, 341–343
Binary data, 9

- transmission, 11
- Binary phase-shift keying (BPSK), 156, 360–361, 818
 - carrier recovery circuit, 361–362
 - demodulator, 361–362
 - modulator, 360–361
- Biphase encoding, 349
- Bipolar NRZ, 349
- Bipolar RZ, 349
- Bipolar transistors, 239, 270, 323
- Birdies, 301, 319
- Bisync protocol, 395–396
- Bit error rate (BER), 294, 322–323, 368, 369, 384, 392
 - tests, 864
- Bit errors, 311
- Bit rate-distance product., 751
- Bit splitter, 364
- BLE (Bluetooth Low Energy), 809–810
- Block-check character (BCC), 388
- Block-check sequence (BCS), 388
- Blocking test, 859–860
- Bluetooth, 808–810
 - smartphones, 788
- Bluetooth Low Energy (BLE), 809–810
- Bluetooth Special Interest Group (SIG), 810
- BNC connector, 449–451
- Boltzmann's constant, 323, 369
- Boundary, 721
- Boundary scan, 870–871
- Bow tie antenna, 542
- BPF. See Bandpass filter (BPF)
- BPSK. See Binary phase-shift keying (BPSK)
- Bridge circuit, 126
- Bridges, 499
- Bridge-T notch filter, 69
- Broadband connection, 583
- Broadband modem techniques, 379–383
- Broadband system, 695–696
- Broadband transmission, modulation in, 9–11
- Browser, 581
- Bulk acoustic wave (BAW) filters, 75
- Buncher cavity, 645
- Bus topology, 490–492
- Butterworth filter, 65
- BW. See Bandwidth (BW)

C

- CA (carrier aggregation), 777
- Cable analyzer, 864
- Cable Labs, 383
- Cable modems, 381–383
- Cables, 495–497
 - coaxial. See Coaxial cable
 - fiber-optic. See Fiber-optic cables
 - problems with, 868
- Cable television, 22, 583
- Cable TV (CATV), 405
- C/A (coarse acquisition) code, 709
- Cameras, smartphones, 787–788
- CAN. See Controller area network (CAN)
- Capacitive reactance, 42
- Capacitors, 42–43
- Capture effect, 169
- Capture range, 187–188
- Carrier(s), 509
 - defined, 9, 94
 - deviation, 154–155
 - in electronic communication, 23–28
 - frequency, 175
 - pilot, 113
 - recovery circuits, 136, 137
- Carrier aggregation (CA), 777
- Carrier current transmission, 5
- Carrier Ethernet (CE), 512–513
- Carrier generator, 242–260
 - crystal oscillators, 242–246
 - direct digital synthesis, 252–258
 - frequency synthesizers, 246
 - phase-locked loop synthesizers, 246–252
 - phase noise, 258–260
- Carrier sense multiple access with collision detection (CSMA/CD), 509
- Carrier-to-noise (C/N) ratio, 369–370
- Carson's rule, 162
- Cascaded circuit, 34

- Cascode amplifier, 324–325
- Cassegrain feed, 655
- Cauer/elliptical filters, 65
- Cavity resonators, 639–640
- C band, 691, 756
- CB radio, 114
- CB synthesizers, 336–337

- CD74HC4046A IC PL, 189
- CDMA. *See* Code-division multiple access (CDMA)
- CDMA2000, 776
- cdmaOne, 775
- CDR (clock and data recovery) unit, 748–749
- CE (Carrier Ethernet), 512–513
- Cell phones, 22. *See also* Smartphones
 - backhaul, 795–796
 - base stations, 789–790
 - DAS, 797
 - fifth generation (5G), 784–786
 - fourth generation (4G), 773, 776–783
 - LTE, 773, 776–783
 - satellite, 705–706
 - second-generation (2G), 773, 774–776
 - small cells, 791–794
 - SON, 796–797
 - third-generation (3G), 776
- Cellular radio system
 - concepts, 770–771
 - defined, 770
 - duplexing, 772
 - frequency allocation, 771–772
- Cellular telephone industry, 772–774
 - carriers, 772–773
 - technology generations, 773
 - trends and critical issues, 774
- Celsius scale, 315
- Ceramic filters, 72, 74, 326
- Certificate-based authentication, 607
- Certification, 27–28
- Certification authority (CA), 607
- CFP (C Form Factor Pluggable), 750
- Channel, 616
- Channelization process, 696
- Channels
 - bandwidth, 19
 - communication, 4–5
- Characteristic impedance, transmission line, 452–453
- Chebyshev/Tchebyshev filters, 65
- China, 715
- Chip, 373
- Chipping rate, 373
- Choke joint, 633–634
- Chokes. *See* Inductors
- Chromatic dispersion, 733
- Ciphertext, 605
- Circular polarization, 536, 657

- Circulators, 640–641
- Citizens radio, 23
- Cladding, 730
- Class A amplifiers, 260
 - buffers, 261
- Class AB linear amplifier, 260
 - power amplifier, 262–263
- Class B amplifiers, 260
- Class C amplifiers, 260, 263–268
 - biasing methods, 264–265
 - tuned output circuits, 265–267
- Class D amplifiers, 270–271
- Class E amplifier, 271–272
- Class F amplifier, 272
- Cleaving, 739
- Cloaking, 815
- Clock and data recovery (CDR) unit, 748–749
- Clock multiplier unit (CMU), 749
- Clock pulse (CP), 198
- Clock recovery circuit, 411, 413–414
- Cloud computing, 599–600
- CML (current mode logic), 214
- CMU (clock multiplier unit), 749
- C/N (carrier-to-noise) ratio, 369–370
- Coarse acquisition (C/A) code, 709
- Coarse wavelength-division multiplexing (CWDM), 506, 755–756
- Coaxial cable, 446, 622
 - connectors, 449–452
 - in digital data transmission, 350–351
 - disadvantage of, 458
 - in local area network, 495
- Code-division multiple access (CDMA), 269, 273, 371, 376, 403, 693
 - IS-95, 775–776
 - wideband, 776
- Code-division multiplexing, 12
- Coded OFDM (COFDM), 379
- Coding gain, 392
- Cognitive radio (CR), 16, 442–443
- Coherent detectors, 137
- Coherent light, 724, 741
- Coherent OOK, 131
- Coils. See Inductors
- Collector modulator, 127–128
- Collinear antennas, 555–556
- Collision, 509
- Color touch screens, smartphones, 787
- Colpitts oscillator, 303
- Colpitts type, 244

- Combiner, 696
- Comb response, 79
- Common-mode rejection, 447
- Common Public Radio Interface (CPRI), 790
- Communication. *See also* Electronic communication
 - defined, 3
 - human, 3
 - receivers. *See* Receiver(s)
 - rules and regulations for, 21
- Communication channels, 4-5
- Communication link, 488
- Communications Act of 1934, 20
- Communication satellites, 569, 682, 702-706
 - DBS, 703-704
 - defined, 689
 - frequency allocations, 690-691
 - Internet access, 705
 - satellite cell phones, 705-706
 - subsystems, 693-698
- Communication subsystems, satellite, 694-696
 - baseband signals, 694
 - broadband system, 695-696
 - channelization process, 696
 - dual-conversion transponder, 695
 - multichannel configurations, 695
 - regenerative repeater, 695
 - single-conversion transponder, 695
 - transponders, 694-695
- Communication systems, 3-5
 - optical. *See* Optical communication
- Communication test instruments
 - dummy loads, 834-835
 - field strength meters, 848
 - frequency counters, 838-840
 - power measurement circuits, 832-834
 - power meters, 831-832
 - signal generators, 836-838
 - spectrum analyzers, 840-842
 - standing wave ratio meters, 835
 - vector network analyzer, 845-848
 - voltage measurements, 830-831
- Commutating filters, 77-79
- CoMP (coordinated multipoint transmission/reception), 795
- Companding, 227-228
- COMPASS, 715
- Compression, 431. *See also* Data compression
- Compression circuit, 98
- Cone of acceptance, 729

- Conical antenna, 542–543
- Connection joints, 633–634
- Connectors, 449–452, 497
 - coaxial cable, 449–452
 - defined, 449
 - fiber-optic cables, 738–739
 - problems with, 868
- Constellation diagrams, 363–364, 366, 367
- Contention system, 509
- Continuous-phase frequency-shift keying (CPFSK), 358
- Continuous-phase FSK, 163
- Continuous tone-coded squelch system (CTCSS), 330–331
- Continuous-wave (CW)
 - radar, 673
 - receivers, 331
 - transmission, 8, 105, 238, 341
- Control, 812
- Controller area network (CAN), 524–525
- Control plane, 600–601
- Control segment, GPS, 710
- Control subsystems, satellite, 701–702
- Conventional band. *See* C band
- Converters
 - ADC, 199–202, 214–224, 275, 297, 409, 430, 432–433, 610, 666
 - DAC, 199, 202–203, 208–214, 275, 297, 430, 610
- Convolutional codes, 391–392
- Coordinated multipoint transmission/reception (CoMP), 795
- Cordless telephones, 22
- Core, 730
- Corner reflector, 648
- Correlated noise, 319
- Correlation process, 375
- Cosine wave, 80
- Cosmic noise, 313
- Counterpoise, 547
- CP (clock pulse), 198
- CPE (customer premises equipment), 419
- CPFSK (continuous-phase frequency-shift keying), 358
- CPRI (Common Public Radio Interface), 790
- CR. *See* Cognitive radio (CR)
- CRC (cyclical redundancy check), 386–387
- Critical angle, 723, 728–729
- Cross section, radar, 670
- Cross talk, 350, 496
- Cryogenics, 321–322
- Crystal, 242–243
- Crystal diode, 641. *See also* Point-contact diodes

Crystal filters, 72-74, 326
Crystal oscillators, 178-179, 242-246
 circuits, 244-245
 frequency synthesizers, 246
 overtone oscillators, 245-246
 voltage-controlled, 179
Crystal ovens, 243
Crystal radio receivers, 133-134
CTCSS (continuous tone-coded squelch system), 330-331
CubeSats, 698
Current mode logic (CML), 214
Curved sections, 635
Customer premises equipment (CPE), 419
Cutoff frequency, 57-58, 60, 458-459, 633. *See also* Waveguides
CW. *See* Continuous-wave (CW)
CWDM. *See* Coarse wavelength-division multiplexing (CWDM)
CXP (C Form Factor Pluggable), 750
Cycles per second (cps), 12
Cyclical redundancy check (CRC), 386-387, 510

D

D/A (digital-to-analog) conversion/converter, 199, 202-203, 208-214, 275, 297, 610
 components of, 209
 specifications, 212-214
 string, 210-211
 weighted current source, 211-212
Daisy chain topology, 492
DARS (digital audio radio service), 706-707
DAS (distributed antenna systems), 791
Data
 conversion. *See* Data conversion
 defined, 195
 digital transmission of, 195-196
 parallel transfer, 196-197
 serial transfer, 197
Data bus, 196
Data communication, 705
Data communication tests, 862-865
 bit error rate tests, 864
 eye diagram, 862-864
 pattern generator, 864
 special test sets, 865
Data compression
 digital signal processing, 230-231

- Data conversion, 199-224
 - A/D, 199-202
 - D/A, 199, 202-203, 208-214
 - defined, 199
 - oversampling, 205-206
 - principles of, 199-205
 - undersampling, 205
- Data Encryption Standard (DES), 606
- Data formats, 744
- Datagram, 588
- Data link layer, OSI model, 494, 511
- Data over Cable Service Interface Specification (DOCSIS), 383
- Data plane, 600
- Data radios, 115
- Data rate, 519, 751
 - LTE, 781-782
- dBc, 41
- dBm, 40
- DBS (direct broadcast satellite), 703-704
- Decade, 59
- Decibels (dB), 5, 36-41
- Decimation, 431
- Decimation in time (DIT), 233-234
- Decimator, 224
- Decryption, 605-607
- Deemphasis circuit, 168
- Delay line, 232, 274
- Demodulation, 431
- Demodulators, 297, 355. *See also* Detectors
 - AM, 131-137
 - ASK, 134
 - BPSK, 361-362
 - DPSK, 363
 - FM, 184-188
 - FSK, 191-192
 - QPSK, 365-366
- Demultiplexer (DEMUX), 411-415, 759
 - PAM, 412, 415
 - PCM, 418
- Demultiplexing, 12. *See also* Receiver(s)
- DEMUX. *See* Demultiplexer (DEMUX)
- Denial-of-service (DoS) attacks, 605
- Dense wavelength-division multiplexing (DWDM), 733, 756-757
- Density-modulated beam
 - klystrons, 645
- Depletion region, 175-176
- DES (Data Encryption Standard), 606
- Descending, angle of inclination, 685

- Despread, 376
- Destination address, 510
- Detector probes, 831
- Detectors, 297. *See also* Demodulators
 - coherent, 137
 - diode, 131-133
 - envelope, 133
 - light, 746-747
 - product, 147
 - quadrature, 184-185, 186
 - synchronous, 134-137
- Deviation ratio, 158
- DFT (Discrete Fourier transform), 231
- Diagonal distortion, 133
- Dibit, 363
- Dielectric/lens antenna, 658-659, 664
- Differential amplifier modulator, 125-126
- Differential phase coding, 362
- Differential phase-shift keying (DPSK), 362-363
- Differential quadrature phase-shift keying (DQPSK), 804
- Diffie, Whitfield, 606
- Diffie-Hellman key exchange, 606
- Diffraction, 564
- Digital audio radio service (DARS), 706-707
- Digital authentication, 607
- Digital carrier systems, 419
- Digital cell phone system, 774-776
 - 3G phones, 775, 776
 - 2G phones, 774-776
- Digital coded squelch (DCS), 331
- Digital codes, 341-343
 - early, 341
 - modern, 341-343
- Digital communication, 194-234
 - benefits of, 195-196
 - data conversion, 199-224
 - A/D, 199-202
 - D/A, 199, 202-203, 208-214
 - defined, 199
 - oversampling, 205-206
 - principles of, 199-205
 - undersampling, 205
 - digital signal processing in, 228-234
 - error detection and correction in, 196
 - and noise immunity, 195-196
 - pulse modulation in, 224-228
- Digital data transmission, 340-398
 - broadband modem techniques, 379-383

- digital codes, 341–343
- efficiency, 350–355
- error detection and correction, 383–393
- improvements techniques, 393
- modem concepts and methods, 355–370
- principles of. *See* Principles of digital transmission
- protocols, 393–396
- wideband modulation, 370–379
- Digital downconversion (DDC), 793
- Digital filters, 79
- Digital HDTV, 440–442
- Digital modulation, 104–106
- Digital predistortion (DPD) amplification, 274–275
- Digital radio, 22, 429
- Digital satellite radio, 706–707
- Digital signal processing (DSP), 196, 228–234, 274–275, 292
 - applications, 230–231
 - basics of, 228–229
 - processors, 229–230
- Digital signals, 8, 195–196
- Digital signal synthesis (DSS), 246
- Digital signature, process for creating, 607
- Digital storage oscilloscope (DSO), 831
- Digital subscriber line (DSL), 379, 583
- Digital subscriber line access multiplexers (DSLAMs), 381
- Digital television (DTV), 22
- Digital-to-analog (D/A) conversion/converter, 199, 202–203, 208–214, 275, 297, 430, 610
 - components of, 209
 - specifications, 212–214
 - string, 210–211
 - weighted current source, 211–212
- Digital transmitters, 241–242
- Digital upconversion (DUC), 793
- Digital video recorder (DVR), 704
- Digital wrapper. *See* Optical Transport Network (OTN)
- Diode detectors, 131–133
- Diode mixers, 299
- Diode modulators, 123–125
- Diode rings, 138–141
- Diplexer, 537, 640, 699. *See also* Circulators
- Dipole length, 540–541
- Dipole polarization, 543
- Dip oscillator, 849
- Direct broadcast satellite (DBS), 703–704
- Direct conversion receivers, 310–311
- Direct digital synthesis (DDS), 252–258
 - PLL synthesizer vs., 258

Directional antenna, 544
Directional couplers, 637–639
Direction-finding services, 22
Directivity, antenna, 543–545, 551–552
 gain and, 553
Directly modulated laser (DML) diode, 749

Director, 554
Direct sequence spread spectrum (DSSS), 371, 374–376, 422, 775
DirecTV, 703
Direct waves, 567
Discrete Fourier transform (DFT), 231
Discrete multitone (DMT), 379–380
Dispersion, 732–734
 chromatic, 733
 defined, 736
 DWDM, 733
 EDC, 733
 modal, 733
 PMD, 733
Distances, as human communication barrier, 3
Distortion, 96, 97–98, 106, 321
 intermodulation, 317–319
Distributed antenna systems (DAS), 791, 797
Distributed capacitance, 43
Distributed feedback (DFB) laser, 742
DIT (decimation in time), 233–234
Diversity system, 574–575
D layer, ionosphere, 566
DML (directly modulated laser) diode, 749
DOCSIS 3.1, 383
DOCSIS (Data over Cable Service Interface Specification), 383
Documentation, 868
Doherty amplifier, 277
Doppler effect, 673
Doppler shift, 572
Dotted decimal, 590, 593
Doublers, 179
Double range echo, 673
Double-sideband (DSB) signal, 143
 demodulation, 147
Double-sideband suppressed carrier/signals (DSB/DSSC), 110–111
 disadvantages of, 112–113
Doublet, 539
Doubly balanced mixer, 299–300
Down conversion, 297, 839
Downlink, 690

DPSK (differential phase-shift keying), 362–363
DPSK demodulator, 363
DQPSK (differential quadrature phase-shift keying), 804
Driven arrays, 555–557
Driven element, 553
Drooping radials, 548
DSB/DSSC. *See* Double-sideband suppressed carrier/signals (DSB/DSSC)
DSB signal. *See* Double-sideband (DSB) signal
DSO (digital storage oscilloscope), 831
DSP. *See* Digital signal processing (DSP)
DSSS. *See* Direct sequence spread spectrum (DSSS)
DTV (digital television), 22
Dual-conversion superheterodyne receiver, 309–310
Dual-conversion transponder, 695
Dual-gate MOSFET mixer, 300–301
Dual polarization—quadrature phase-shift keying (DP-QPSK), 763–764
DUC (digital upconversion), 793
Dummy loads, 834–835
Duplex communication, 7, 22–23
Duplexing, 424–425, 519–520, 772, 785
Duty cycle *D*, 80
DVR (digital video recorder), 704
DWDM (dense wavelength-division multiplexing), 733
Dwell time, 372
DXing
 on AM band, 883
 on FM band, 883
Dynamic range, 220, 297

E

EAM (electroabsorption modulator), 745
eBay, 581
ECC (elliptic-curve cryptosystem), 606
Echo, radio signal, 668
ECL (emitter-coupled logic) flip-flops, 250
E-commerce, 581
EDC (electronic dispersion compensation), 733
EDFA (erbium-doped fiber amplifier), 754–755
EDGE (enhanced data rate for GSM evolution), 775
EDR (Enhanced Data Rate), 809
EEPROM (erasable programmable read-only memory), 815
Effective number of bits (ENOB), 222
Effective radiated power (ERP), 545
Efficiency, power amplifiers, 268–269
EFM (Ethernet in the First Mile), 507, 759

- EHFs (extremely high frequencies), 17
- EIA (Electronics Industry Alliance), 496
- eICIC (enhanced inter-cell interference coordination), 795
- E layer, ionosphere, 566
- Electrical conductors, 4-5
- Electric field, 531-532
- Electroabsorption modulator (EAM), 745
- Electromagnetic field, 535
- Electromagnetic interference (EMI)
 - defined, 871
 - filtering, 875-876
 - grounding, 873-874
 - measurement of, 876-877
 - reduction of, 873-876
 - shielding, 875
 - sources of, 872-873
 - testing, 871-877
- Electromagnetic spectrum, 12-18, 20
 - bandwidth, 18-21
 - defined, 12
 - in electronic communication, 13
 - frequency, 13-14
 - wavelength, 14-15
- Electromagnetic waves, 12, 531
- Electronic communication
 - applications of, 21-23
 - electromagnetic spectrum in, 13
 - employers in, 25-26
 - forms of, 3
 - jobs/careers in, 23-28
 - milestones in history of, 2
 - types of, 5-8
- Electronic communication systems, 3
 - components of, 3-5. *See also specific components*
- Electronic dispersion compensation (EDC), 733
- Electronic multiplexers, 409-411
- Electronics Industry Alliance (EIA), 496, 521
- Electro-optical modulators (EOM), 745
- Electrostatic discharge (ESD), 873
- Electrostatic focusing, 644
- Elevation, angle of, 685, 688
- ELFs (extremely low frequencies), 16
- Elliptical filters, 65
- Elliptic-curve cryptosystem (ECC), 606
- E-mail, 492, 581-582
- eMBB (enhanced mobile broadband), 784
- Emitter-coupled logic (ECL) flip-flops, 250
- Emitter-follower crystal oscillator, 244

- Encoding, 503–504
- Encoding methods, 347–349
 - Manchester encoding, 349, 352–353
 - nonreturn to zero, 348–349, 352
 - return to zero, 349, 352–353
 - selection of, 349
- Encryption, 605–607
- End effect, 540
- End-of-transmission-block (ETB) character, 396
- End-of-transmission (EOT) character, 395–396
- End users, 26
- Engineers, 24
- Enhanced Data Rate (EDR), 809
- Enhanced data rate for GSM evolution (EDGE), 775
- Enhanced inter-cell interference coordination (eICIC), 795
- Enhanced mobile broadband (eMBB), 784
- ENOB (effective number of bits), 222
- Envelope, 87, 94
- Envelope delay, 63
- Envelope detector, 133
- Envelope tracking (ET), 275–277
- EOM (electro-optical modulators), 745
- EOT (end-of-transmission) character, 395
- Ephemeris, 708
- EPON (Ethernet Passive Optical Network), 507
- Equalization, 393, 431
- Equatorial orbits, 685. *See also* Satellite orbits
- Equivalent noise temperature, 320
- Erasable programmable read-only memory (EEPROM), 815
- Erbium-doped fiber amplifier (EDFA), 754–755
- ERP (effective radiated power), 545
- Error correction, 387–391
 - block-check character, 388
 - convolutional codes, 391–392
 - Hamming code, 388–390
 - interleaving, 390–391
 - low-density parity check, 392–393
 - Reed Solomon code, 390
- Error detection, 384–387
 - cyclical redundancy check, 386–387
 - encoding methods, 385
 - parity, 385–386
 - redundancy, 385
- Errors, 213
 - detection/correction in digital communication, 196
 - quantizing, 201
- Error signal, 187
- ESD (electrostatic discharge), 873

ET (envelope tracking), 275-277
ETB (end-of-transmission-block) character, 396
Ethernet, 383, 502-511, 584-585
 access method, 509
 advanced, 511-513
 automotive, 515
 carrier, 512-513
 encoding, 503-504
 Fast, 504
 40 Gbps, 511-512
 Gigabit, 504-506

Ethernet—*Cont.*

 100 Gbps, 511-512
 100-Mbps, 504-505
 industrial, 514-515
 and OSI layers, 510-511
 packet protocols, 509-510
 speed, 504
 10-Gbit, 506-507
 topology, 502-503
 transmission medium, 504-508
 2.5G/5G, 513-514
 wireless, 507

Ethernet in the First Mile (EFM), 507, 759

Ethernet LAN, 349

Ethernet Passive Optical Network (EPON), 507

Ethernet PON, 759

Ethernet switches, 500

European Telecommunications Standardization Institute (ETSI), 775

European Union (EU), 715

Even parity, 385

Experience Citizens Band (CB) radio, 883-884

External bias, 265

External noise, 312-313

Extraterrestrial noise, 313

Extremely high frequencies (EHFs), 17

Extremely low frequencies (ELFs), 16

Eye diagram, 862-864

F

Fabry-Perot (FP) laser, 741-742

Facsimile, 22, 705

Factorial symbol (!), 159

Fading, 571-572

- Fahrenheit scale, 315
- Family Radio Service (FRS), 23, 883-884
- Far field, 535-536, 545, 816
- Far infrared, 720
- Fast Ethernet, 504
- Fast Fourier transform (FFT), 231
 - spectrum analyzer, 841-842
- FCC. See Federal Communications Commission (FCC)
- FC switch, 602-603
- FDD. See Frequency-division duplexing (FDD)
- FDM. See Frequency-division multiplexing (FDM)
- FDMA. See Frequency-division multiple access (FDMA)
- FEC. See Forward error correction (FEC)
- Federal Communications Commission (FCC), 16, 20, 239, 288, 616, 705, 771, 885
- Feedforward amplifier, 272-273
- Ferrite beads (FB), 630
- Ferrite disk, 640
- Ferrule, 739
- FFD. See Full-function device (FFD)
- FFT. See Fast Fourier transform (FFT)
- FHSS (frequency-hopping spread spectrum), 808
- Fiber-optic cables, 497, 718, 723, 725-727
 - applications of, 727
 - attenuation, 736-737
 - bandwidth, 727, 737
 - benefits of, 727-728
 - connectors, 738-739
 - construction, 730-731
 - critical angle, 728-729
 - defined, 728
 - frequency range, 738
 - losses, 752
 - numerical aperture, 729-730
 - power (flux) budget, 752-755
 - principles of, 728-729
 - size, 735
 - specifications, 735-738
 - splicing, 739-740
 - test equipment and measurements, 866-867
 - types of, 731-735
- Fiber-optic connector, 497
- Fiber to the home (FTTH), 757
- Fibre channel (FC), 601-603
- Fibre Channel over Internet Protocol (FCIP), 603
- Field buses, 515
- Field-effect transistors (FETs), 121
 - GaN, 272

- LDMOS, 272
 - mixer, 299-301
- Field-programmable logic/gate array (FPGA), 230, 430
- Fields, 395
- Field strength meters, 848
- Fifth Generation (5G) wireless cellular, 784-786
 - antennas, 785-786
 - bandwidth, 785-786
 - modulation, 785
 - New Radio, 784
 - spectrum, 784-785
 - technical specifications, 784-785
 - testing, 861
- File transfer program (FTP), 581
- File transfer protocol (FTP), 589
- Filter(s), 57-79
 - active, 57, 69-71
 - all-pass, 57
 - antialiasing, 203-204
 - bandpass, 57, 66-68, 71, 622, 699
 - band-reject, 57, 61-62, 69
 - bulk acoustic wave, 75
 - ceramic, 72, 74, 326
 - crystal, 72-74, 326
 - defined, 57
 - digital, 79
 - FIR, 232
 - Gaussian low-pass, 360
 - high-pass. See High-pass filter
 - IIR, 233
 - LC. See LC filters
 - low-pass. See Low-pass filter (LPF)
 - mechanical, 66
 - nonrecursive, 232
 - notch, 61-62, 69, 71
 - passive, 57, 62
 - RC. See RC filters
 - selectivity of, 71-72
 - surface acoustic wave, 74-75, 326
 - switched capacitor, 75-79
 - terminology, 62-63
- Filtering, 431
 - digital signal processing, 230, 232-233
 - for EMI reduction, 875-876
 - in SSB signal generation, 143-146
- Final power amplifier, 239
- Finite impulse response (FIR), 232, 733
- Firewall, 501

- First mile, 507, 759
- Flash converters, 217-218
- Flat group delay, 66
- Flat transmission line, 462
- F layer, ionosphere, 566
- Flicker noise, 317
- Flip-flops, 198
 - emitter-coupled logic, 250
- Flux budget, 752-755
- Flywheel effect, 266
- FM. See Frequency modulation (FM)
- Focusing plates, 644
- Folded dipole, 546-547
- 40/100-Gbps Ethernet, 760-761
- Forward error correction (FEC), 388, 585, 586, 703
- Forwarding plane, 600
- Forward (incident) power, 463
- 4FSK, 164
- 400-Gb Ethernet, 761-762
- Fourier analysis, 79-91
 - basic concepts, 80-83
 - defined, 79
 - importance of, 86
 - time domain vs. frequency domain, 83-86
- 1496/1596 IC balanced modulator, 141-143
 - applications for, 142
- FPGA (field-programmable logic/gate array), 230, 430
- Fractional N divider PLL, 251
- Frame, 394-395, 419, 509
- Frame Relay (FR), 583, 584
- Frame synchronization, 414-415
- Free-running frequency, 187
- Free space, 4, 720
 - light wave communication in, 724
- Frequency, 13-14
 - carrier, 175
 - crystals, 243
 - cutoff, 57-58, 60
 - defined, 839
 - free-running, 187
 - intermediate, 206, 295, 840
 - LTE, 777
 - measurement, 839, 850-851
 - microwave, 615
 - Nyquist, 200, 204
 - ranges, 15-17
- Frequency conversion, 297-306
- Frequency-correcting network, 156

- Frequency counter, 838-840
- Frequency deviation, 151, 153, 154-155
- Frequency divider, 246-247
- Frequency-division duplexing (FDD), 425, 772
- Frequency-division multiple access (FDMA), 402, 421, 693
- Frequency-division multiplexing (FDM), 377-379, 403-408. *See also* Multiplexing
 - applications, 405-408
 - block diagram, 403
 - defined, 11
 - FM stereo broadcasting, 405-408
 - receiver-demultiplexers, 404-405
 - transmitter-multiplexers, 403-404
- Frequency domain
 - AM in, 121-123
 - time domain vs., 83-86
- Frequency-domain display
 - AM, 102-104
 - of DSB signal, 111
- Frequency-hopping spread spectrum (FHSS), 808
- Frequency-hopping (FH) SS, 371-374
- Frequency-modulated continuous-wave (FMCW) waveform, 677

- Frequency modulation (FM), 10, 150-170, 724-725
 - advantages of, 169-170
 - AM vs., 169-170
 - applications, 170
 - band, DXing on, 883
 - circuits, 174-192
 - demodulators, 184-188
 - FSK, 188-192
 - phase modulators, 181-184
 - conversion of phase modulation to, 155-156
 - crystal oscillator, 178-179
 - disadvantages of, 170
 - indirect, 156
 - low-level, 240-241
 - narrowband, 160, 162
 - principles of, 151-153
 - radio broadcasting, 22
 - receiver, 334-335
 - sidebands, 156-164
 - signal bandwidth, 162-163
 - stereo broadcasting, 405-408
 - suppression effects on noise, 165-169
- Frequency modulators, 175-181
- Frequency multiplier, 247, 267-268
 - circuit, 179

- Frequency range, fiber-optic cables, 738
- Frequency reuse, 692-693
- Frequency-selective fading, 376
- Frequency-shift keying (FSK), 10, 152-153, 356-360
 - circuits, 188-192
 - continuous-phase, 163
 - demodulator, 191-192
 - 4FSK, 164
 - Gaussian, 163
 - noncoherent, 190
 - signal, modulation index of, 163
 - 2FSK, 164
 - varactors to generate, 191
 - variations of, 163-164
- Frequency synthesis, 837
- Frequency synthesizers, 246-248, 304-306
- Friis' formula, 321
- Front-to-back (F/B) ratio, 555
- FSK. See Frequency-shift keying (FSK)
- F-type connector, 451
- Full duplex, 424-425, 772
 - operation, 356
- Full duplex communication, 7
- Full-function device (FFD), 812
- Full-scale current, 209
- Full wave synchronous detector, 134-136
- Function generators, 836

G

- Gain, 32-33, 70, 545, 552-553
 - directivity and, relationship between, 553
 - horn antenna, 651-652
- Galileo, 715
- Gallager, R. G., 392
- Gallium arsenide (GaAs) semiconductor, 740
- Gallium nitride (GaN), 272
- GaN HEMT, 272-273
- GASFETs, 324
- Gateways, 501, 705
- Gaussian filtered MSK (GMSK), 360
- Gaussian frequency-shift keying (GFSK), 163, 809
- Gaussian low-pass filter, 360
- Gaussian minimum shift keying (GMSK), 775
- General packet radio service (GPRS), 775
- General Radiotelephone Operators License (GROL), 885

- Generating function, 387
- GEO (geosynchronous earth orbit), 686
- Geocenter, 683, 687. *See also* Satellite orbits
- Geo-fencing, 810
- Geometries, 628
- Geosynchronous earth orbit (GEO), 686
- Geosynchronous satellites, 688
- GFSK. *See* Gaussian frequency-shift keying (GFSK)
- Gigabit Ethernet (GE), 504-506
- Gigabit rate, 751
- Gilbert transconductance cell, 301-303
- Global Navigation Satellite System (GNSS), 707-715
 - GPS, 707-715
- Global Positioning System (GPS), 22, 697, 707-715
 - applications, 714-715
 - atomic clocks, 710
 - control segment, 710
 - defined, 707
 - receivers, 711-714
 - smartphones, 788
 - space segment, 708-709
 - triangulation, 712
 - worldwide, 715
- Globalstar, 706
- GLONASS, 715
- GMSK (Gaussian minimum shift keying), 775
- Google, 581, 600
- GPRS (general packet radio service), 775
- GPS. *See* Global Positioning System (GPS)
- Graded index cable, 731-732
- GROL (General Radiotelephone Operators License), 885
- Ground control equipment (GCE) subsystem, 698-699
- Grounding, for EMI reduction, 873-874
- Ground loop, 874
- Ground plane, 547
- Ground-plane antenna, 547-548
- Ground stations, 698-702
- Ground waves, 564-565
- Groups, 233
- GSM (Global System for Mobile Communications), 775
- GSPS (giga/billions of samples per second), 200
- Gunn diodes, 643

H

- Half duplex, 772

Half duplex communication, 7
Half-power points, 49
Hamming bits, 388
Hamming code, 388-390
Ham radio, 883
Handoff, 771
Handshaking process, 394
Hard-line cable, 622
Harmonics, 80, 91, 122, 245
Harmonics signal tests, 852-853
Hartley's law, 350
Harvard architecture, 230
Hash functions, 607
HBA (host bus adapter), 602
HBT (heterojunction bipolar transistor), 262-263
HDMI (high-definition multimedia interface) cable, 704
HD radio, 438
Height, satellite orbits, 683-684
Helical antennas, 656-657
Hellman, Martin, 606
HEMT (high electron mobility transistor), 272
Henry (H), 43
Hertz (Hz), 12
Hertz, Heinrich, 3, 13-14, 537, 539
Hertz antenna, 539
Heterodyning, 298
Heterojunction bipolar transistor (HBT), 262-263, 629
HetNet, 791-792, 796, 797
Hexadecimal, 343
High cut filters, 57. *See also* Low-pass filter
High-definition multimedia interface (HDMI) cable, 704
High electron mobility transistor (HEMT), 272, 629
High frequencies (HFs), 16, 19-20
High-level AM, 126-130
High-level AM transmitters, 238-240
High-level data link control (HDLC) protocol, 396
High-loss fibers, 737
High-pass filter, 57
 active filters, 70
 LC filters, 64-65
 RC filters, 57, 60-62
High-power amplifier (HPA), 696
High-power linear amplifiers, 261-262
High-speed downlink packet access (HSDPA), 776
High-speed serial interfaces, 526-528
 low voltage differential signaling, 526
 serial peripheral interface, 526-527
 Universal Serial Bus, 527-528

Horizontally polarized, 536
Horizontal redundancy check, 388
Horn antenna, 649–652
 bandwidth, 652
 beam width, 649–651
 dimensions of, 650
 directivity of, 651
 gain, 651–652
 types of, 650
Host, 582
Host bus adapter (HBA), 602
Hot carrier diodes, 642
 as mixers, 296
HotSpot 2.0, 807–808
HPA (high-power amplifier), 696
HSDPA (high-speed downlink packet access), 776
Hubs, 498–499
Hulu, 599
Human communication, 3
100Base-TX, 504
100-Mbps Ethernet, 504–505
Huygens' principle, 564
Hybrid circuit, 630
Hybrid fiber-coaxial (HFC) network, 381–382
Hybrid ring, 625–626. *See also* Microstrips
Hybrid T, 636
Hypertext transfer protocol (http), 582, 589

I
IaaS (infrastructure as a service), 599
IANA (Internet Assigned Numbers Authority), 590
iBeacon (Apple), 810
IC balanced modulators, 141–143
IC mixer, 301–303
ICs. *See* Integrated circuits (ICs)
IEEE. *See* Institute of Electrical and Electronics Engineers (IEEE)
IEEE 802.11a, 804
IEEE 802.11ac, 805
IEEE 802.11ad, 805–806
IEEE 802.11af, 821
IEEE 802.11ah, 821
IEEE 802.11ax, 806
IEEE 802.11ay, 806
IEEE 802.11b, 804
IEEE 802.11be, 806

- IEEE 802.3bw standard, 515
- IEEE 802.11e, 807
- IEEE 802.11g, 804–805
- IEEE 802.11i, 807
- IEEE 802.11n, 805
- IEEE 802.11s, 807
- IEEE 802.3 standard, 502
- IEEE 802.11u, 807
- IEEE 802.11y, 807
- IETF (Internet Engineering Task Force), 603, 611
- IF amplifier, 326–327
- iFCP (Internet Fibre Channel Protocol), 603
- IFFT (inverse fast Fourier transform), 379
- IIoT (Industrial Internet of Things), 824, 826
- IIR (infinite impulse response) filter, 233
- ILD (injection laser diode), 740–742
- Image
 - defined, 306
 - intermediate frequency and, 306–311
 - problem solving, 308–309
 - receivers, 306–311
- Image reject mixer, 303
- IMPATT diodes, 643
- Impedance, 62
- Impedance matching, 558–561
- Impedance-matching networks, 278–287
 - baluns, 283, 285–287
 - L networks, 278–281
 - T networks, 281–283
 - transformer, 283–285
 - transmission line transformers, 285–287
- Impedance-matching pad, 858–859
- Impedance meter, 849
- Impedance of space, 535
- Incident ray, 721
- Incident wave, 461
- Inclination, angle of, 684–685
- Index of refraction, 563, 721–723. *See also* Refraction
- India, 715
- Indian Regional Navigation Satellite System (IRNSS), 715
- Indirect FM, 156
- Indium-Gallium-phosphide (InGaP), 262
- Indium phosphide (InP) semiconductor, 740
- Inductance, 43
- Inductive reactance, 43
- Inductors, 43–45
 - equivalent circuit of, 44
 - types of, 44

- Industrial Ethernet, 514-515
- Industrial Internet of Things (IIoT), 824, 826
- Industrial noise, 313
- Industrial-scientific-medical (ISM) bands, 288, 811
- Infinite impulse response (IIR) filter, 233
- Information, 3
- Information theory, 354
- Infrared region, 17
- Infrared spectrum, 720
- Infrastructure as a service (IaaS), 599
- InGaP (Indium-Gallium-phosphide), 262
- Injection laser diode (ILD), 740-742
- INMARSAT, 706
- Insertion loss, 59, 62
- Institute of Electrical and Electronics Engineers (IEEE), 509
 - wireless LAN standards, 803-807
- Instrumentation, 701-702
- Instrumentation subsystem, 702
- Integrated circuits (ICs)
 - AM/FM/SW radio, 436-437
 - CD74HC4046A PLL, 189
 - 1496/1596 balanced modulator, 141-143
 - mixer, 301-303
 - resistors on, 216
 - RF power amplifier, 262-263
 - switched capacitor filters, 75-79
- Intelligence signal, 3
- Intelligent/smart antenna, 664-666
 - diversity, 664
 - MIMO, 665-666
- Intensity modulation, 724
- Interaction chamber, 646
- Interface, 721
- Interference management, 796-797
- Inter-Integrated Circuit (I²C) bus, 525-526
- Interleaving, 390-391
- Intermediate frequency (IF), 206, 295, 840
 - and image, 306-311
 - low IF receiver, 311
- Intermodulation distortion, 317-319
- Intermodulation products, 122
- Internal noise, 313-319
 - intermodulation distortion, 317-319
 - semiconductor noise, 316-317
 - thermal noise, 313-316
- International Organization for Standardization, 492
- International Telecommunications Union (ITU), 20, 116, 584, 756

- passive optical network, 758–759
- Internet, 23, 580–611
 - access, 705
 - addresses, 581–582, 593–596
 - applications, 581
 - backbone, 488, 587–588
 - cloud computing, 599–600
 - control plane, 600–601
 - data plane, 600
 - management plane, 601
 - packet-switching transmission system, 588–592
 - radio and video, 22
 - searches, 581
 - security, 604–609
 - simplified diagram, 588
 - storage-area networks, 601–604
 - telephones, 23
 - transmission systems, 583–598
 - virtualization, 600
 - working of, 581–583
- Internet Assigned Numbers Authority (IANA), 590
- Internet cloud, 593
- Internet Engineering Task Force (IETF), 603, 611
- Internet Fibre Channel Protocol (iFCP), 603
- Internet of Things (IoT), 22, 823–826
- Internet Protocol (IP), 588, 590–592
 - telephony, 609–611
- Internet SCSI (iSCSI), 601, 603–604
- Internet service provider (ISP), 381, 502, 583, 587, 599
- Internet telephony, 609–611. *See also* Voice over Internet Protocol (VoIP)
- Interoperability, 21
- Inter-symbol interference (ISI), 393, 519
- Inverse fast Fourier transform (IFFT), 379
- Inverted exclusive-NOR circuit (XNOR), 362–363
- Inverted-F antenna, 664–665
- Ionize, 566
- Ionosphere, 565–566
- IoT (Internet of Things), 22, 823–826
- IP. *See* Internet Protocol (IP)
- IPsec (Internet Protocol security), 609
- IPv4 (Internet Protocol version 4), 590–591
- IPv6 (Internet Protocol version 6), 590–591
- I/Q modulators/demodulators, 622
- Iridium system, 705
- IRNSS (Indian Regional Navigation Satellite System), 715
- Iron-core transformers, 284
- IS-95 CDMA, 775–776
- iSCSI (Internet SCSI), 601, 603–604

ISI (inter-symbol interference), 393
ISM (industrial-scientific-medical) bands, 288, 811
Isolators, 641
Isotropic radiator, 545
ISP (Internet service provider), 381, 502, 587, 599
ITU. See International Telecommunications Union (ITU)

J

Jacket, 730
JBOD (Just a bunch of disks), 601
Jitter, 866–867
Johnson noise, 314
Joint Tactical Radio System (JTRS), 432
JTAG standard, 871
JTRS (Joint Tactical Radio System), 432
Just a bunch of disks (JBOD), 601

K

Kelvin scale, 315
Kevlar, 731
Kirchhoff's current law, 53
Klystrons. See *also* Microwave tubes
 buncher cavity, 645
 density-modulated beam, 645
 electrostatic focusing, 644
 velocity modulation, 645
Knife-edge diffraction, 564

L

Language, as human communication barrier, 3
LAN meter, 864
LANs. See Local-area networks (LANs)
LAN-to-LAN connections, 583
Laser, 725
 DFB, 742
 diodes, 741–743
 FP, 741–742
 ILD, 740, 741–742
 transmitters, 743–744
 tunable, 742
Laser driver (LD), 749

- Last mile, 507, 759
- Latency, 611
- Laterally diffused MOS (LDMOS) FET, 272
- Latitude, 686–688. *See also* Longitude
- Lattice modulators, 138–141
- Law of reflection, 721
- Layers, OSI model, 493–494
 - ethernet and, 510–511
- L band. *See* Long-wavelength band
- LC filters, 62–69
 - high-pass, 64–65
 - low-pass, 64–65
 - types of, 65–69. *See also specific types*
- LC oscillator, 303–304
- LCR circuits, 46. *See also* RLC circuits
- LDMOS (laterally diffused MOS) FET, 272
- LDPC (low-density parity check), 392–393
- Least significant bit (LSB), 197
- LED. *See* Light-emitting diodes (LED)
- Left-hand circular polarization (LHCP), 536, 692
- Lens antenna, 658–659, 664
- LEO (low earth-orbiting) satellites, 686, 705
- LFs (low frequencies), 16
- Licensing, 27–28
- Light, 17–18, 719–720. *See also* Fiber-optic cables; Optical communication
 - detector (photocell), 726, 746–747
 - in free space, 724–725
 - modulator, 724–725, 745–746
 - rationale for, 724
 - receiver, 725
 - receivers, 747–748
 - reflection, 720–721
 - refraction, 721–723
 - sources, 724, 740–743
 - speed of, 720
 - transmitters, 743–744
 - waves, 720
- Light-emitting diodes (LED), 724, 740–741
 - transmitters, 743
- Limiter, 327
- Linear amplifiers, 260–263, 269
 - high-power, 261–262
- Linear broadband power amplifiers, 272–277
- Line-of-sight communication, 567–568
- LLC (logical link control) sublayer, 511
- LNA. *See* Low-noise amplifier (LNA)
- L networks, 278–281
- Loading coil, 549

- Load-pulling circuit, 277
- Local-area networks (LANs), 23, 195, 447, 488, 582
 - applications, 492
 - bridges, 499
 - cables, 495–497
 - connectors, 497
 - Ethernet. *See* Ethernet
 - firewall, 501
 - gateways, 501
 - hardware, 495–502
 - hubs, 498–499
 - modems, 501–502
 - network interface controller, 497–498
 - repeaters, 498
 - routers, 501
 - switches, 499–500
 - wireless, 502
- Local oscillators, 296, 303–304
- Lock range, 187
- Logarithms, 36–41
- Logical link control (LLC) sublayer, 511
- Log-periodic antennas, 557
- Log-periodic array, 557
- Longitude, 686–688. *See also* Latitude
- Longitudinal redundancy check (LRC), 388
- Long Term Evolution (LTE), 773, 776–783
 - access, 782
 - advanced, 782–783
 - advanced pro, 782–783
 - bands, 777–779
 - bandwidth, 777
 - data rate, 781–782
 - frequency, 777
 - MIMO, 781
 - modulation, 779–781
 - smartphones, 786–789
 - TD-LTE, 782
 - technicalities, 777–782
 - timing and synchronization, 794–795
 - voice over, 783
- Long-term evolution (LTE) cellular technology, 273
- Long-wavelength band, 756
- Loop antenna, 663, 665
- LoRa, 821
- Low-density parity check (LDPC), 392–393
- Low earth-orbiting (LEO) satellites, 686, 705
- Low frequencies (LFs), 16
- Low-frequency antenna, 648

- Low IF receiver, 311
- Low-level AM, 123–126
- Low-level FM transmitters, 240–241
- Low-loss fibers, 737
- Low-noise amplifier (LNA), 295–296, 323–326, 433, 620, 622, 695
- Low-pass filter (LPF), 57, 242, 254, 310, 434, 622
 - active filters, 70
 - LC filters, 64–65
 - RC filters, 57–60
- Low-speed serial interfaces, 521–526
 - controller area network, 524–525
 - Inter-Integrated Circuit bus, 525–526
 - RS-232, 521–523
 - RS-485, 523–524
- Low voltage differential signaling (LVDS), 526
- LPF. See Low-pass filter (LPF)
- LRC (longitudinal redundancy check), 388
- LSB (least significant bit), 197
- LTE. See Long Term Evolution (LTE)
- LTE-M, 821
- Lumped model, 452

M

- MAC address. See Media access control (MAC) address
- Machine-to-machine (M2M), 823
- Mach-Zehnder (MZ) modulator, 745–746, 763
- MAC (multiply and accumulate) processors, 230
- MAC (media access control) sublayer, 511
- Magic T, 636
- Magnetic field, 531
- Magnetrons, 646–647. See also Microwave tubes
 - interaction chamber, 646
 - pulsed, 647
- Management plane, 601
- Manchester code, 503
- Manchester encoding, 349, 352–353
- MANs (metropolitan-area networks), 23, 488
- Manufacturers, 25
- Marconi, Guglielmo Giovanni Maria, 3
- Marconi antenna, 547–550
- Mark, 346, 349, 356
- Marker capability, 838
- M-ary, 364
- Massive machine-type communications (mMTC), 784
- Matched lines, 462–463

Matching networks, 278. *See also* Impedance-matching networks
Matching stub, 559–560
Maxwell, James Clerk, 537
Maxwell's equations, 537
MCM (multicarrier modulation), 377–379
MD5 (Message Digest 5), 607
MDS (minimum discernible signal), 294
Meander line antenna, 665
Mechanical filters, 66
Media access control (MAC) address, 500
 and IP address, 598
Media access control (MAC) sublayer, 511
Medium earth-orbiting (MEO) satellites, 686
Medium frequencies (MFs), 16
Medium-loss fibers, 737
MEF (Metro Ethernet Foundation), 513
Megatrends (Naisbitt), 825
MEMS (micro-electro-mechanical systems) technology, 246
MEO (medium earth-orbiting) satellites, 686
Meridians, 687
MESFETs, 324
Mesh topology, 492
Mesh wireless networks, 810–812
Message Digest 5 (MD5), 607
Message function, 387
Metal-oxide semiconductor field-effect transistors (MOSFETs), 75–76, 126, 214, 239, 270, 271, 296, 409
 dual-gate depletion mode, 328–329
 dual-gate mixer, 300, 301
 switches, 211
Metcalf, Robert, 487
Metcalf's law, 487
Metro Ethernet Foundation (MEF), 513
Metro networks, 488
Metropolitan-area networks (MANs), 23, 488
MFs (medium frequencies), 16
Micro-electro-mechanical systems (MEMS) technology, 246
Micrometer, 720
Micron, 720
Microsoft, 599–600
Microsoft Bing, 581
Microsoft Internet Explorer, 608
Microstrips, 471–472, 623–628
 coupling between, 624–625
 filter, 626, 628

Microstrips—*Cont.*

- hybrid ring, 625–626
- impedance, 623
- open and shorted lines, 623–624
- transmission line used for reactive circuits, 623

Microwave(s), 17

- antennas. *See* Microwave antennas
- applications, 668–677
- bands, 615
- benefits of, 616–617
- cavity resonators, 639–640
- circulators, 640–641
- communication systems, 618–622
- defined, 615
- disadvantages of, 617–618
- frequencies, 615
- isolators, 641
- receivers, 620–622
- tests, 860–861
- transmission line, 622–631
- transmitters, 618–620
- tubes. *See* Microwave tubes
- waveguides, 632–641

Microwave amplifiers, 629–631

- MMIC, 630
- power, 630–631
- small-signal, 629–631
- transistor, 629–630

Microwave antennas, 622, 648–668

- adaptive beam forming, 666–668
- bicone, 657
- dielectric/lens, 658–659, 664
- helical, 656–657
- horn, 649–652
- intelligent/smart, 664–666
- low-frequency, 648
- parabolic, 652–655
- patch, 659–660
- phased array, 660–663, 664
- printed-circuit, 663, 664
- slot, 657–658

Microwave integrated circuits (MICs), 472

Microwave semiconductor diodes, 641–644

- oscillator diodes, 642–643
- PIN diodes, 643–644
- small-signal diodes, 641–642

Microwave transistor amplifier, 622

Microwave transistors, 628–629

- HBT, 629

- HEMT, 629
- Microwave tubes, 644-648
 - klystron, 644-646
 - magnetrons, 646-647
 - TWT, 647-648
- MICs (microwave integrated circuits), 472
- Military radios, 114
- Miller capacitance, 325
- Millimeter waves, 17, 615. *See also* Microwave(s)
 - applications, 668-677
 - disadvantages of, 617-618
- MIMO. *See* Multiple-input, multiple-output (MIMO)
- Minimum discernible signal (MDS), 294
- Minimum shift keying (MSK), 164, 358-360
- Minor lobe, 552
- Mismatched (resonant) lines, 464
- MISO (master input from slave output), 527
- Mitra, Partha, 584
- Mixer, 296, 642
 - concept of, 298
 - and converter circuits, 299-303
 - diode, 299
 - doubly balanced, 299-300
 - FET, 299-301
 - IC, 301-303
 - image reject, 303
- Mixing, 431
- Mixing principles, 298-299
- MLT-3 encoding, 505
- M2M (machine-to-machine), 823
- MMF (multimode fiber), 497
- mMTC (massive machine-type communications), 784
- Mobile telephone switching office (MTSO), 770-771
- Modal dispersion, 733
- Mode, fiber-optic cable, 731
- Modems, 10, 355-370, 582
 - broadband techniques, 379-383
 - cable, 381-383
 - defined, 355
 - local-area network, 501-502
 - modulation for data communication, 356-368
 - differential phase-shift keying, 362-363
 - frequency-shift keying, 356-360
 - orthogonal frequency-division multiplexing, 356
 - phase-shift keying, 356, 360-362
 - quadrature amplitude modulation, 356, 366-368
 - quadrature phase PSK, 363-366
 - types of, 356

- xDSL, 379-381
- Mode of cable, 731
- Modern troubleshooting, 870
- Modulation, 431
 - amplitude. See Amplitude modulation (AM)
 - backscatter, 815
 - in baseband transmission, 9
 - in broadband transmission, 9-11
 - for data communication, 356-368
 - differential phase-shift keying, 362-363
 - frequency-shift keying, 356-360
 - orthogonal frequency-division multiplexing, 356
 - phase-shift keying, 356, 360-362
 - quadrature amplitude modulation, 356, 366-368
 - quadrature phase PSK, 363-366
 - digital, 104-106
 - fifth generation (5G), 785
 - frequency. See Frequency modulation (FM)
 - LTE, 779-781
 - and multiplexing, 8-12
 - phase, 10
 - tests, 851
 - wideband, 370-379
- Modulation index, 97-100, 120, 157-158, 163, 359
- Modulators, 355
 - AM, 97, 123-131
 - ASK, 130-131
 - balanced, 111, 138-143
 - BPSK, 360-361
 - collector, 127-128
 - differential amplifier, 125-126
 - diode, 123-125
 - EAM, 745
 - EOM, 745
 - frequency, 175-181
 - FSK, 188-192
 - light, 724-725, 745-746
 - Mach-Zehnder, 745-746, 763
 - OOK, 130-131
 - optical communication, 724-725
 - phase, 181-184
 - series, 129-130
 - transistor, 125
 - varactor, 177-178
- Monochromatic light, 724, 741
- Monocycles, 818
- Monolithic microwave integrated circuits (MMICs) amplifiers, 622, 630
- Monomode step index fiber cable, 734

Monotonicity, 213
Morse code, 8, 104–105, 238, 341
MOSFETs. See Metal-oxide semiconductor field-effect transistors (MOSFETs)
MOSI (master output to slave input), 527
Most significant bit (MSB), 197
Moving target indication (MTI), 673
MPEG (Motion Picture Experts Group), 703
MSA. See Multisource agreement (MSA)
MSB (most significant bit), 197
MSK (minimum shift keying), 164
MSPS (millions of samples per second), 200
MTI (moving target indication), 673
MTSO (mobile telephone switching office), 770–771
Multiband OFDM UWB, 818–819
Multicarrier modulation (MCM), 377–379
Multicasting, 591
Multichannel configurations, communication subsystems, 695
Multimode, 731
Multimode fiber (MMF), 497, 505
Multimode graded index cable, 734–735
Multimode step index cable, 731–732
Multipath interference, 572–574
Multiple access, 376
 code-division, 269, 273, 371, 376, 403
 defined, 421
 frequency-division, 402, 421
 OFDMA, 423
 spatial-division, 423–424
 time-division, 402, 421–422
Multiple coding levels, 353–354
Multiple-input, multiple-output (MIMO), 437, 665–666, 781, 785–786
Multiple-skip/hop transmission, 567
Multiplexer (MUX), 402, 409, 696, 759
 electronic, 409–411
 PAM, 409–411
 PCM, 415–418
Multiplexing, 8, 401–425
 defined, 11, 402
 frequency-division. See Frequency-division multiplexing (FDM)
 modulation and, 8–12
 principles, 402–403
 pulse-code modulation, 415–421
 time-division. See Time-division multiplexing (TDM)
 types of, 402
 use of, 402
 wavelength division, 11
Multiply and accumulate (MAC) processors, 230
Multisource agreement (MSA), 750

modules, 764

Multistage integrated-circuit amplifier, 629
Multi-use radio service (MURS), 884
Music services, 22
Muting circuit. *See* Squelch circuits
MUX. *See* Multiplexer (MUX)
MZ (Mach-Zehnder) modulator, 745–746, 763

N

NA (numerical aperture), 729–730
Naisbitt, John, 825
NAK (negative acknowledge) character, 394
Nanometers, 720
NAPs (network access points), 587
Narrowband FM (NBFM), 160, 162
Narrowband signals vs. spread spectrum signals, 375
NAS (network attached storage), 601
NAT (network address translation), 803
National Institute of Standards and Technology (NIST), 606
National Telecommunications and Information Administration (NTIA), 20
Navigation services, 22
NBFM (narrowband FM), 160, 162
NB-IoT, 821
Near-end cross talk (NEXT), 496
Near field, 535–536, 545, 816
Near field communication (NFC), 536, 816–817
 smartphones, 788
Near infrared, 720
Negative acknowledge (NAK) character, 394
Negative temperature coefficient (NPO) ceramic capacitors, 304
NE602 mixer, 301–303
Netflix, 599
Netscape, 608
Network(s)
 defined, 487
 fundamentals, 487
 hierarchy, 489
 local-area. *See* Local-area networks (LANs)
 topologies. *See* Topology, network
 types of, 488–489
Network access points (NAPs), 587
Network address, 595
Network address translation (NAT), 803
Network attached storage (NAS), 601

- Network interface card (NIC), 603
- Network interface controller (NIC), 497-498
- Network layer, OSI model, 494
- Network mask, 596-598
- Network Time Protocol (NTP), 794
- New Radio (NR), Fifth Generation, 784
 - technical specifications, 784-785
- NEXT (near-end cross talk), 496
- NF (noise figure), 319
- NFC. See Near field communication (NFC)
- Node, 488
- Noise, 3, 5, 307
 - atmospheric, 312-313
 - on binary signal, 195
 - in cascaded stages, 321-322
 - cosmic, 313
 - defined, 311, 855
 - external, 312-313
 - extraterrestrial, 313
 - factor, 319, 322
 - impact on signal, 354-355
 - industrial, 313
 - internal, 313-319
 - levels, 319-321
 - in microwave region, 321
 - and phase shift, 165-166
 - pseudorandom, 371-372
 - quantizing, 220-221
 - receivers and, 311-323
 - semiconductor, 316-317
 - space, 312
 - spectral efficiency and, 368-370
 - suppression effects of FM, 165-169
 - temperature, 319-321
 - thermal, 313-316
 - white, 312, 314
- Noise bridge, 849
- Noise-derived squelch circuits, 330
- Noise figure (NF), 319
- Noise floor, 294
- Noise immunity, 169, 195-196
 - digital communication and, 195-196
- Noise margin, 864
- Noise ratio (NR), 319
- Noise tests, 855-856
- Noncoherent frequency-shift keying, 190
- Noncoherent OOK, 131
- Nonrecursive filter, 232

Nonreturn to zero (NRZ) method of encoding, 348–349, 352
Normal, 720
Normalized, Smith chart, 475
Notch filters, 61–62, 69, 71
NPN power transistor, 628–629. *See also* Microwave transistors
NPO (negative temperature coefficient) ceramic capacitors, 304
NR (noise ratio), 319
NRZ (nonreturn to zero) method of encoding, 348–349, 352
NTIA (National Telecommunications and Information Administration), 20
N-type connector, 452
Numerical aperture (NA), 729–730
Nyquist bandwidth, 202
Nyquist frequency, 200, 204

O

Octave, 59
Octet, 506, 588
OCXO (oven-controlled crystal oscillator), 245–246
Odd parity, 385
OEO (optical-electrical-optical) conversion, 754
OFDM (orthogonal frequency-division multiplexing), 260, 269, 273, 356, 377–379, 423
OIF (Optical Internetworking Foundation), 750
OLT (optical line terminal), 758–759
Omnidirectional antenna, 547
1/f filter, 156
One-quarter wavelength vertical antenna, 547–550
One-shot multivibrator, 411
One-way communication, 6, 22
OneWeb, 705
ON/OFF keying (OOK), 105, 724, 745
 coherent, 131
 demodulators, 137
 modulators, 130–131
 noncoherent, 131
ONT (optical networking terminal), 759
ONU (optical networking unit), 759
Open-circuit load, 461
Open lines, 463–464
Open navigation system, 707. *See also* Global Positioning System (GPS)
Open systems interconnection (OSI) model, 492–495
 application of, 493
 benefit of, 495
 defined, 492
 layers, 493–494, 510–511

- Operating with cryogenic conditions, 321
- Optical communication, 718-764
 - defined, 718
 - fiber-optic cables. *See* Fiber-optic cables
 - 40/100-Gbps Ethernet, 760-761
 - 400-Gb Ethernet, 761-762
 - light. *See* Light
 - modulators, 724-725, 745-746
 - performance considerations, 751
 - physical optics, 720-723
 - PON, 757-759
 - principles, 719-723
 - receivers, 740-755
 - transceivers, 748-751
 - transmitters, 740-755
 - WDM, 755-757
- Optical-electrical-optical (OEO) conversion, 754
- Optical Internetworking Foundation (OIF), 750
- Optical line terminal (OLT), 758-759
- Optical media, 4
- Optical networking terminal (ONT), 759
- Optical networking unit (ONU), 759
- Optical signal analyzer, 866
- Optical spectrum, 17-18, 719, 720
- Optical time-domain reflectometer (OTDR), 866
- Optical Transport Network (OTN), 584, 585-586
- Optical transport technology, 763-764
- Orbital dynamics, 682
- Orbits. *See* Satellite orbits
- Orthogonal frequency-division multiplexing (OFDM), 260, 269, 273, 356, 377-379, 423, 616
- Oscillator(s)
 - beat frequency, 331
 - crystal. *See* Crystal oscillators
 - local, 296, 303-304
 - voltage-controlled, 179-181
- Oscillator diodes, 642-643. *See also* Semiconductor diodes
- Oscilloscopes, 86, 89, 90, 831
- OSI model. *See* Open systems interconnection (OSI) model
- OTDR (optical time-domain reflectometer), 866
- OTN (Optical Transport Network), 584, 585-586
- OTT (over-the-top) video, 581, 599
- Output amplifiers, 210
- Oven-controlled crystal oscillator (OCXO), 245-246
- Overhead, 347, 384
- Overmodulation, 97-98, 106
- OVERRANGING, 839
- Oversampling, 205-206

Oversampling converter, 222
Over-the-top (OTT) video, 581, 599

Overtone
 crystals, 245
 defined, 245
 oscillators, 245–246

P

PA. See Power amplifier (PA)
PaaS (platform as a service), 599
Packet, 509, 581, 588
Packet protocols, Ethernet, 509–510
Packet-switching transmission system, 588–592
PAE (power-added efficiency), 269
Paging, 705
PAM. See Pulse amplitude modulation (PAM)
PAM demultiplexer, 412, 415
PAM multiplexers, 409–411
PAN (personal-area network), 489
Parabolic antennas, 652–655
 beam width, 654
 feed methods, 654–655
 gain, 653–654
Parabolic reflector, 652
Parallel data transfer, 196–197
Parallel resonant circuit, 53–56, 67
Parallel-T notch filters, 61
Parallel-wire lines, 447
Parasitic arrays, 553–555
Parasitic elements, 553
Parity, 385–386
Parity bit, 385
Passband, 62
Passive, defined, 757
Passive filters, 57, 62
Passive optical network (PON), 757–759
Passwords, 607
Patch antennas, 659–660
Path attenuation, 571
Pattern generator, 864
PCB (printed-circuit board), 471, 623
PCM. See Pulse-code modulation (PCM)
PCM video systems, 415
Peak envelope power (PEP), 113

Peak-to-average power ratio (PAPR), 275-276
PEP (peak envelope power), 113
Percentage of modulation, 97-99
Perigee, 684
Period, satellite orbits, 684
Permittivity, 532
Personal-area network (PAN), 489, 809
Personal identification numbers (PIN), 607
Personal radio services, 883-884
Phase angle, 182
Phased array, 660-664
Phased array radar, 675
Phase inversion, 360
Phase-locked loop (PLL), 185-188, 246, 620-621
 fractional N divider, 251
 as FSK modulator, 188-190
 synthesizers, 246-252, 304-306
Phase modulation (PM), 10, 153-156
 conversion to frequency modulation, 155-156, 181-184
Phase noise, 258-260
Phase reversal, 360
Phase shift, 153, 181
 examples of, 360
 noise and, 165-166
 and SSB signal generation, 145-147
Phase-shift keying (PSK), 10, 156, 356, 360-362
pHEMT (pseudomorphic HEMT), 272
Photodiode, 746
Phototransistor, 746
Physical layer, OSI model, 493-494, 510, 511
Physical optics, 720-723
Piconets, 809
Piezoelectric effect, 242
Piezoelectricity, 72
Pilot carrier, 113
PIN (personal identification numbers), 607
PIN diodes, 643-644, 747. *See also* Semiconductor diodes
Pinging, 605
Pink noise, 314, 317
Pipelined converter, 219
PKE (public-key encryption), 605-606
Plaintext, 605
Plan position indicator (PPI), 675
Plastic-clad silica (PCS) cable, 730
Platform as a service (PaaS), 599
PLC (power line communications), 5
PL-259 connector, 449-450
Plenum cable, 497

Plenums, 496–497
PLL. See Phase-locked loop (PLL)
PM. See Phase modulation (PM)
PMD (polarization mode dispersion), 733
Point-contact diodes, 641–642
Point-of-sale (PoS) terminals, 702
Polarization, 536
Polarization mode dispersion (PMD), 733
Polar orbits, 685. See *also* Satellite orbits
Pole, 63
Polyvinyl chloride (PVC), 730
PON (passive optical network), 757–759
Posigrade orbit, 683. See *also* Satellite orbits
Postamplifier (PA), 748
Powdered iron toroids, 284
Power-added efficiency (PAE), 269
Power amplifier (PA), 242, 260–277
 class C amplifiers, 260, 263–268
 efficiency of, 268–269
 FET, 630–631
 GaN, 631
 linear amplifiers, 260–263
 switching, 269–272
Power (flux) budget, 752–755
Power combiner, 636
Power divider, 636
Power line communications (PLC), 5
Power measurement circuits, 832–834
Power measurements, 851–852
Power meters, 831–832
Power over Ethernet (PoE), 507–508, 803
Power subsystems, 696–698, 701
Power supplies, 868
PPI (plan position indicator), 675
PPM. See Pulse position modulation (PPM)
Practical synchronous detector, 136
PRC (pseudorandom code), 709
Preamble, 509
Precision of crystal, 243
Precision Time Protocol (PTP), 794
Predistorter, 156
Preemphasis, 167–169
Prescaler, 250
Prescaling, 839–840
Preselector, 295–296
Presentation layer, OSI model, 494
PRF (pulse repetition frequency), 672
Prime center, 475

- Prime meridian, 687
- Principles of digital transmission, 343–349
 - asynchronous transmission, 346–347
 - encoding methods, 347–349
 - serial transmission, 343–346
 - synchronous transmission, 347
- Printed-circuit antennas, 663–664
- Printed-circuit board (PCB), 471, 623
- Processing gain, 375
- Product detector, 147
- Protocol analyzer, 865
- Protocols, 393–396
 - asynchronous, 394–395
 - defined, 393
 - synchronous, 395–396
- PRT. See Pulse repetition time (PRT)
- Pseudomorphic HEMT (pHEMT), 272
- Pseudorandom code, 373–374, 375–376
- Pseudorandom code (PRC), 709
- Pseudorandom noise (PSN), 371–372
- PSK. See Phase-shift keying (PSK)
- PSN (pseudorandom noise), 371–372
- PTP (Precision Time Protocol), 794
- Public-key encryption (PKE), 605–606
- Pulling capacitors, 245
- Pulse amplitude modulation (PAM), 115, 203, 225–226, 344–345, 409
- Pulse-code modulation (PCM), 226–228, 415–421, 611
 - companding, 227–228
 - demultiplexers, 418
 - multiplexers, 415–418
 - timing signals for, 227
 - traditional, 226–227
- Pulsed magnetron, 647
- Pulsed radar, 672–673
 - block diagram of, 674–675
- Pulse modulation, 725
 - defined, 224
 - in digital communication, 224–228
 - PAM, 225–226
 - PCM, 226–228
 - PPM, 225–226
 - PWM, 225–226
- Pulse position modulation (PPM), 225–226, 818–819
- Pulse repetition frequency (PRF), 672
- Pulse repetition time (PRT), 672–673
- Pulse spectrum, 86–88
- Pulse-width modulation (PWM), 225–226
- PVC (polyvinyl chloride), 730

PWM (pulse-width modulation), 225–226

Q

QAM. See Quadrature amplitude modulation (QAM)

Q of resonant circuit, 292

QPSK demodulator, 365–366

Q section, 559–560

QSFP (quad small-form factor pluggable), 750

Quadrature amplitude modulation (QAM), 115, 260, 269, 273, 344, 356, 366–368

Quadrature detectors, 184–185

 waveforms in, 186

Quadrature phase-shift keying (QPSK), 363–366, 407, 809

Qualcomm, 775

Quality factor (Q), 45, 49–51, 52

Quantizing error, 201

Quantizing noise, 220–221

Quasi-Zenith Satellite System (QZSS), 715

Quieting method, 858

Quieting sensitivity tests, 858–859

QZSS (Quasi-Zenith Satellite System), 715

page 921

R

Radar, 23, 668–677

 applications, 675–676

 block diagram, 674–675

 continuous-wave, 673

 cross section, 670

 defined, 668

 equation, 670

 pulsed, 672–673

 single-chip, 676–677

 trigonometry, 670

Radials, 547

Radian, 96

Radiation pattern, of antenna, 543–545, 547

Radiation resistance, 539–540, 548

Radio

 AM, 114–115

 amateur, 23, 115

 bandwidth of channels, 162–163

 citizens, 23

- cognitive, 442-443
- personal radio services, 883-884
- receivers. See Receivers
- software-defined. See Software-defined radio (SDR)
- transmitters. See Radio transmitters
- two-way, 23
- wireless, 4

Radio astronomy, 22

Radio broadcasting, 22

Radio Data System (RDS), 407

Radio Determination Service (RDS), 705

Radio emissions, classification of, 115-116

Radio-frequency (RF)

- power amplifier, 262-263
- waves, 9

Radio-frequency choke (RFC), 177, 875

Radio frequency front-end (RFFE), 429, 785, 786-787, 793

Radio-frequency identification (RFID), 536, 702, 813-817

- concept and components of, 813
- interrogator, 813, 814
- standards, 816
- tag, 813, 814-815

Radio-frequency interference (RFI), 871

Radio horizon, 567

Radiometrix TX2 transmitter, 288

Radio transmitters, 237-288

- carrier generator. See Carrier generator
- circuits, 287-288
- configurations, 238-242
- digital transmitters, 241-242
- fundamentals, 238-242
- high-level AM transmitters, 238-240
- impedance-matching networks, 278-287
- low-level FM transmitters, 240-241
- power amplifiers in, 260-277
- single-sideband transmitter, 241

Radio wave, 531

- defined, 562
- electric field, 531-532
- magnetic field, 531
- optical characteristics of, 562-564
- propagation. See Radio wave propagation

Radio wave propagation, 562-575

- calculating received power, 569-571
- problems, 571-575
- through space, 564-569

RAID (redundant array of independent disks), 601

Random-access memory (RAM), 587, 704

- Rayleigh fading, 572
- RCA phonograph connector, 451-452
- RC filters
 - high-pass filter, 60-62
 - low-pass filter, 57-60
 - notch filter, 61-62
- Reactance, 42
- Received power, calculation, 569-571
- Received signal strength indicators (RSSIs), 574
- Receive-only (RO) VSAT, 702
- Receive optical subassembly (ROSA), 748
- Receiver(s), 291-335
 - circuits in, 323-331
 - configuration, 295
 - crystal radio, 133-134
 - defined, 5
 - direct conversion, 310-311
 - dual-conversion, 309-310
 - FM, 334-335
 - frequency conversion, 297-306
 - GPS, 711-714
 - images, 306-311
 - intermediate frequency, 306-311
 - light, 725, 747-748
 - low IF, 311
 - microwave, 620-622
 - and noise, 311-323
 - optical communication, 740-755
 - selectivity, 292-293
 - sensitivity, 293-295, 322-323
 - signal reproduction, principles of, 292-295
 - software-defined radio, 432-434
 - superheterodyne, 295-297, 306
 - tests. See Receiver tests
 - transceivers. See Transceivers
 - VHF, 332-334
- Receiver tests, 854-860
 - blocking test, 859-860
 - equipment required, 854-855
 - noise tests, 855-856
 - power output tests, 856-857
 - third-order intercept test, 859-860
 - 20-dB quieting sensitivity tests, 858-859
- Receive subsystems, satellite, 700
- Recursive codes, 391-392
- Reduced-function device (RFD), 812
- Reduced-instruction-set computing (RISC), 228
- Redundancy, 385

- Redundant array of independent disks (RAID), 601
- Reed Solomon (RS) code, 390
- Reference signal, 185
- Reference value, 40
- Reference voltage regulator, 208–210
- Reflected power, 463
- Reflected wave, 461
- Reflection, 562–563, 720–721
 - standing waves and, relationship between, 460–462
- Reflection coefficient, 465–466
- Reflector, 553–554
- Refraction, 563–564, 721–723
 - critical angle, 723
 - index of, 721–723
- Regeneration, 754
- Regenerative repeater, 695
- Remote control, 22
- Remote radio head (RRH), 790
- Repeaters, 498, 567–569, 689–691, 797. *See also* Transponders
 - regenerative, 695
- Resellers, 26
- Reserved host ID numbers, 596–597
- Residuals, 42, 617–618
- Resistors, 45
 - on integrated circuits, 216
 - networks, 209
- Resolution, 212, 219
- Resonance/resonant circuits, 464
 - parallel, 53–56, 67
 - and reactive components, 468–470
 - series, 46–53
 - tuned circuits and, 46–56
- Resonant step-up voltage, 52
- Retrograde orbit, 683
- Return loss, 466
- Return to zero (RZ) encoding, 349, 352–353
- Reverse-biased junction diode, 176
- Revolution period, satellite orbits, 684
- RF. *See* Radio-frequency (RF)
- RF amplifiers, 295–296, 323–326
- RFC (radio-frequency choke), 177, 875
- RFD (reduced-function device), 812
- RFFE. *See* Radio frequency front-end (RFFE)
- RFI (radio-frequency interference), 871
- RFID. *See* Radio-frequency identification (RFID)
- RF power transistors, 272
- RF probes, 831
- RF voltmeters, 830

Right-hand circularly polarized (RHCP) signals, 536, 692, 711
Rijndael algorithm, 606
Ring topology, 490–491
Ripple, 62
RISC (reduced-instruction-set computing), 228
Rise time, and bandwidth, 88–91
Rivest, Ron, 606
Rivest Cipher #4 (RC4), 606
RJ-11 connector, 497–498
RJ-45 connector, 497–498, 514
RLC circuits, 43–46
Roll-off, 63
Root mean square (rms), 830
ROSA (receive optical subassembly), 748
Routers, 489, 501, 586–587
R-2R converter, 208
RS-232 interface, 521–523
RS-485 interface, 523–524
Rubbering, 245
Russia, 715
RZ (return to zero) encoding, 349, 352–353

S

SaaS (software as a service), 599
SA612 mixer, 301–303
Sample-and-hold (S/H) circuit, 214–215

Sampling, 205
 oversampling, 205–206
 undersampling, 205
SANs (storage-area networks), 601–604
SAR (successive-approximations register), 215
Satellite, 681
 applications, 702–707
Satellite orbits, 681–689
 angle of elevation, 685, 688
 angle of inclination, 684–685
 azimuth, 688
 geocenter, 683, 687
 height, 683–684
 period, 684
 posigrade, 683
 position coordinates, 686–688
 principles of, 682–688
 retrograde, 683

- revolution period, 684
- sidereal period, 684
- speed, 684
- Satellite phones, 23
- Satellite subsystems, 693–698
- Scattering, 737
- Scatternets, 809
- Schottky diodes, 642. *See also* Hot carrier diodes
- Scrambling, 393
- SDMA. *See* Spatial division multiplexing/spatial division multiple access (SDMA)
- Search engines, 581
- Second-order response, 70
- Second return echo, 673
- Secret-key encryption (SKE), 605, 606
- Secure Hash Algorithm-1 (SHA-1), 607
- Secure Socket Layer (SSL), 608
- Security, Internet, 604–609
 - measures, 605–609
 - threats, 604–605
- Security threats, types of, 604–605
 - denial-of-service attacks, 605
 - spam, 604
 - spyware, 605
 - viruses, 604
- Selective availability (SA), 709
- Selective fading, 112, 137
- Selectivity
 - of filter, 71–72
 - receivers, 292–293
 - resonant circuit, 50, 52
- Self-bias method, 265
- Self-configuration, 796
- Self-healing, 797
- Self-optimization, 796
- Self-organizing networks (SON), 796–797. *See also* Cell phones
- Semiconductor diodes
 - hot carrier diodes, 642
 - microwave, 641–644
 - oscillator diodes, 642–643
 - PIN diodes, 643–644
 - small-signal diodes, 641–642
- Semiconductor noise, 316–317
- Sensitivity, receivers, 293–295, 322–323
- SERDES. *See* Serializer/deserializer (SERDES)
- Serial data rate, 343–344
- Serial data transfer, 197
 - applications, 520–521
 - data rate, 519

- duplexing, 519-520
- low-speed serial interfaces, 521-526
- unbalanced transmission lines vs. balanced transmission lines, 520
- Serializer/deserializer (SERDES), 587
 - circuit, 749
 - devices, 198
- Serial-parallel conversion, 198-199
- Serial peripheral interface (SPI), 214, 526-527, 662
- Serial transmission, 343-346
- Series modulator, 129-130
- Series resonant circuit, 46-53
 - bandwidth of, 49
- Series T, 635, 636
- Servers, 489, 490
- Service organizations, 26
- Servicing advice, 867
- Session initiation protocol (SIP), 611
- Session layer, OSI model, 494
- Settling time, 213
- SFD (start frame delimiter), 509
- SFDR (spurious free dynamic range), 200
- SFF (small form factor), 750
- SFP+ (enhanced small form factor pluggable), 750
- SFP (small form factor pluggable), 750
- SHA-1 (Secure Hash Algorithm-1), 607
- Shadow fading, 572
- Shadow zone, 564
- Shannon-Hartley theorem, 354
- Shape factor, 63, 293
- SHF (superhigh frequency), 17
- Shielded twisted-pair (STP) cable, 447, 495-496
- Shielding, 875
- Shift register, 198
- Short-circuit load, 461
- Shorted lines, 463
- Short-range wireless transmitter, 287-288
- Shortwave broadcast radio, 115
- Short waves, 16
- Shot noise, 316
- Shunt T, 635, 636
- Sideband clipping, 266
- Sidebands, 207-208
 - AM, 19, 100-102, 110-114, 143-147
 - FM, 156-164
- Sidereal period, 684
- Sigfox, 821
- Sigma-delta ($\Sigma\Delta$) converter, 222-224
- Signal averaging, 233

- Signal bias, 265
- Signal generators, 836-838
 - arbitrary waveform generator, 838
 - function generator, 836
 - RF signal generator, 836-837
 - sweep generators, 837-838
- Signaling element, 344
- Signal injection, 869-870
- Signal power, 106-110, 113-114
- Signal regeneration, 195
- Signal-to-noise (*S/N*) ratio (SNR), 5, 195, 200, 206, 220, 293, 312, 319, 368, 369, 392
- Signal tracing, 868-869
- Silica, 730
- Silicon germanium (SiGe), 324
- Simple mail transfer protocol (SMTP), 589
- Simplex communication, 6, 22
- SINAD, 222, 321-322
 - tests, 858
- Sinc function, 87-88
- Sine wave, 7, 80-81
 - modulating signal, 153-154
- Single-chip radar, 676-677
- Single-conversion transponder, 695
- Single mode, 731
- Single-mode fiber (SMF) cable, 497, 505, 733
- Single-mode step index cable, 734
- Single-pole, double-throw (SPDT) switch, 136
- Single-sideband (SSB)
 - receivers, 333-334
 - transceivers, 335-336
 - transmitter, 241
- Single-sideband suppressed carrier (SSB/SSSC), 110-114, 143-147
 - demodulation, 147
 - disadvantages of, 112-113
 - filter method, 143-145, 146
 - phasing method, 145-147
- Sirius Satellite Radio, 706
- Size, fiber-optic cables, 735
- SKE (secret-key encryption), 605-606
- Skin effect, 45-46
- Skip distance, 567
- Skip zone, 567
- Skirts, 293
- Skirt selectivity, 293
- Sky waves, 565-567
- Skyworks SKY77765 chip, 262-263
- Slot antennas, 657-658

SMA connectors, 451, 739
Small cells, 791–794. *See also* Cell phones
 backhaul, 795–796
 baseband functions, 793
 baseband processor, 793
 block diagram of, 793
 defined, 792
 timing and synchronization, 794–795
 Wi-Fi hotspot, 791
Small-signal microwave amplifiers, 629–631
 MMIC, 630
 power, 630–631
 transistor, 629–630
 transistor amplifiers, 629–630
Smartphones, 786–789. *See also* Cell phones
 Bluetooth, 788
 cameras, 787–788
 color touch screens, 787
 functional features, 789
 GPS, 788
 NFC, 788
 RFFE, 785, 786–787
 Wi-Fi, 788
SMF (single-mode fiber), 733
Smith, Philip H., 474
Smith chart, 473–483
 impedance values, plotting and reading, 475–477
 normalized, 475
 prime center, 475
 reactance circles on, 475–476
 resistance circles on, 475
 SWR circle on, 477–478
 usage, examples of, 478–483
 wavelength scales on, 476–477
SMTP (simple mail transfer protocol), 589
Smurfing, 605
Snell's law, 564
SNR. *See* Signal-to-noise (*S/N*) ratio (SNR)
Software as a service (SaaS), 599

Software-defined radio (SDR), 231, 429–430
 benefits of, 431–432
 communications receiver, 438–440
 components of, 429
 direct conversion receivers, 433
 direct sampling receiver, 433–434
 receivers, 432–434

- survey of, 435–442
- transmitters, 434–436
- viability, 430
- SOH (start-of-header) character, 394
- SON. See Self-organizing networks (SON)
- Sonar, 4, 23
- Space, 356
- Space noise, 312
- Space segment, GPS, 708–709
- Space waves, 567–569
- SpaceX, 705
- Spam, 604
- S-parameters, 847–848
- Spatial diversity, 574
- Spatial division multiplexing/spatial division multiple access (SDMA), 423–424, 668, 693
- Spectral efficiency, 357
 - and noise, 368–370
- Spectral power density, 259
- Spectrum
 - analysis, 231
 - analyzer, 86, 91, 102, 840–842
 - electromagnetic. See Electromagnetic spectrum
 - fifth generation (5G), 784–785
 - infrared, 720
 - management, 20
 - optical, 17–18, 719–720
 - pulse, 86–88
 - satellite use of, 691–693
 - visible, 17–18
- Speech processing, 239
- Speed
 - of light, 720
 - satellite orbits, 684
- SPI. See Serial peripheral interface (SPI)
- Splatter, 105
- Splicing, fiber-optic cables, 739–740
- Split pair, 864
- Splitters, 756
- Spread spectrum (SS), 370–378
 - benefits of, 376–377
 - defined, 370
 - direct-sequence, 371, 374–376
 - frequency-hopping, 371–374
- Spurious free dynamic range (SFDR), 221–222
- Spurious signal tests, 852–853
- Spyware, 605
- Square-law function, 121

- Square wave, 80–82, 91
- Squelch circuits, 330–331
- SSB. See Single-sideband (SSB)
- SSB/SSSC. See Single-sideband suppressed carrier (SSB/SSSC)
- SSL (Secure Socket Layer), 608
- SSP (subsatellite point), 686–687
- Stages, 233
- Standards, 21
- Standing wave ratio (SWR), 465–468
 - meters, 835
 - tests, 853–854
- Standing waves, 459–468
 - defined, 460
 - matched lines, 462–463
 - mismatched (resonant) lines, 464
 - open lines, 463–464
 - reflections and, relationship between, 460–462
 - shorted lines, 463
- Stark, Jason, 584
- Start and stop bits, 346
- Start frame delimiter (SFD), 509
- Start-of-header (SOH) character, 394–395
- Start-of-text (STX) character, 395
- Star topology, 490
- Static. See Atmospheric noise
- ST connectors, 739
- Step index cable, 731–732
- Stop band, 62
- Storage-area networks (SANs), 601–604
- Stray/distributed capacitance, 43
- String DAC, 210–211
- Stripline, 471–472
- STX (start-of-text) character, 395
- Subcarriers, 16, 404
- Submillimeter band, 615
- Subnet mask, 598
- Subnetting, 598
- Subsatellite point (SSP), 686–687
- Subsidiary communications authorization (SCA) signal, 407
- Successive-approximations register (SAR), 215
- Superheterodyne receivers, 295–297, 306
 - dual-conversion, 309–310
 - software-defined radio, 432–433
- Superheterodynes, 840–841
- Superhigh frequency (SHF), 17
- Surface acoustic wave (SAW) filter, 74–75, 326
- Surface-mount crystal oscillator, 246
- Surface waves, 564–565

- Surge impedance, 453
- Surveillance, 22
- Surveillance satellite, 707
- Sweep generators, 837–838
- Switched capacitor filters (SCF), 75–79
- Switched integrators, 76–77
- Switches, 499–500
 - D/A converter, 210
- Switching amplifiers, 260–261, 269–272
- SWL (shortwave listening), 883
- SWR. *See* Standing wave ratio (SWR)
- Symmetric clipping, 327
- Sync (SYN) characters, 395
- Synchronous data link control (SDLC) protocol, 396
- Synchronous data transmission, 347
- Synchronous detectors, 134–137
- Synchronous Digital Hierarchy (SDH), 584
- Synchronous Optical Network (SONET), 584–585
- Synchronous (geosynchronous or geostationary) orbit, 686
- Synchronous protocols, 395–396
- Sync pulse, 414

T

- Tank circuit, 53
- Tank current, 53
- T-carrier system, 419–420
- TC&C (telemetry, command, and control) subsystem, 697
- Tchebyshev filters, 65
- TCP. *See* Transmission Control Protocol (TCP)
- TCP/IP protocol, 588–589, 592
- TCXO (temperature-compensated crystal oscillator), 245
- TDD. *See* Time-division duplexing (TDD)
- TD-LTE, 782
- TDM. *See* Time-division multiplexing (TDM)
- TDR (time-domain reflectometry), 854, 865
- TDR tester, 864
- Technical sales, 25
- Technical writers, 25
- Technicians, 24–25
- TEDs (transferred-electron devices), 643
- Tee configuration, 644
- Telecommunications Act of 1996, 20
- Telecommunications Industry Alliance (TIA-232-F), 521
- Telecommunications Industry Association (TIA), 496
- Telemetry, 22, 402, 405. *See also* Multiplexing

Telemetry, command, and control (TC&C) subsystem, 697
Telemetry, tracking, and command (TT&C) subsystem, 693
Telemetry subsystem, 701–702
Telephones
 cell phones, 22
 cordless, 22
 Internet, 23
 satellite, 23
Telephone system
 and Internet connection, 583
Television (TV)
 broadcasting, 22
 cable, 22
 digital, 22
Temperature-compensated crystal oscillator (TCXO), 245
Temperature scales, and conversions, 315
10Base-T network, 504
10-Gbit Ethernet (10GE), 506–507
Terminations, 636–637
Tesla, Nicola, 3
Thermal agitation, 314
Thermal noise, 313–316
Third-Generation Partnership Project (3GPP), 777, 794
Third harmonic crystals, 245
Third-order intercept test, 859–860
Thomson filters, 65–66
3G cell phones, 775–776
 CDMA2000, 776
 HSPA, 776
 UMTS 3G, 776
TIA (Telecommunications Industry Association), 496
TIA 568A/568B standard, 496
Time delay (transmission lines), 455–456
Time-division duplexing (TDD), 425, 772
Time-division multiple access (TDMA), 402, 421–422, 693, 705
Time-division multiplexing (TDM), 403, 408–415. *See also* Multiplexing
 basic concept, 409
 defined, 11, 408
 demultiplexer circuits, 411–415
 PAM multiplexers, 409–411
Time domain
 AM in, 120–121
 vs. frequency domain, 83–86

Time-domain display, 108, 110
Time-domain reflectometry (TDR), 854, 865
TLD (top-level domain), 581–582

- TLS (Transport Layer Security), 608
- T networks, 281-283
- Top hat, 550
- Top-level domain (TLD), 581-582
- Topology, network
 - bus, 490-492
 - daisy chain, 492
 - defined, 489
 - mesh, 492
 - ring, 490-491
 - star, 490
 - tree, 492
- Toroid transformer, 284
- TOSA (transmit optical subassembly), 748
- Total internal reflection, 723
- Track/store circuit, 214-215
- Trainer, 25
- Transceivers, 335-337
 - CB synthesizer, 336-337
 - defined, 5, 335
 - optical, 748-751
 - SSB, 335-336
 - wireless, 437-442
- Transferred-electron devices (TEDs), 643
- Transformer, 283-285
- Transformer impedance matching, 283-285
- Transimpedance amplifier (TIA), 748
- Transistor modulator, 125
- Transit time, 455, 618
- Transit-time noise, 317
- Transmatch circuit, 560-561
- Transmission, of digital data, 340-398
 - broadband modem techniques, 379-383
 - digital codes, 341-343
 - efficiency, 350-355
 - error detection and correction, 383-393
 - improvements techniques, 393
 - modem concepts and methods, 355-370
 - principles of. See Principles of digital transmission
 - protocols, 393-396
 - wideband modulation, 370-379
- Transmission Control Protocol (TCP), 589-590, 592
- Transmission lines, 445-483
 - balanced vs. unbalanced, 447-448, 520
 - characteristic impedance, 452-453
 - as circuit elements, 468-473
 - connectors, 449-452
 - length, calculation of, 454-455

- magnetic and electric fields in, 532-533
- microwave, 622-631
- primary requirements of, 446
- Smith chart. *See* Smith chart
- specifications, 456-459
- standing waves. *See* Standing waves
- tests, 853-854
- time delay, 455-456
- transformers, 285-287
- types of, 446-447
- velocity factor in, 454-455
- wavelength of cables, 448-449

Transmission media, and bandwidth, 350-353

Transmit optical subassembly (TOSA), 748

Transmit-receive (TR) tube, 674

Transmitters, 3-4

- defined, 4, 238
- efficiency of, 169-170
- laser, 743-744
- LED, 743
- light, 743-744
- microwave, 618-620
- optical communication, 740-755
- radio. *See* Radio transmitters
- requirements, 238
- software-defined radio, 434-436

Transmitter subsystems, 700-701

Transmitter tests, 849-853

- frequency measurement, 850-851
- harmonics and spurious output measurements, 852-853
- modulation tests, 851
- power measurements, 851-852

Transponders, 569, 690, 694-695

- defined, 694
- dual-conversion, 695
- functions of, 690
- single-conversion, 695
- wide bandwidth, 690

Transport layer, OSI model, 494

Transport Layer Security (TLS), 608

TRAPATT diodes, 643

Traps, 69

Traveling-wave tube (TWT), 647-648, 696

- collector, 647

Tree topology, 492

Trellis code, 391

Trellis codes, 385

Tripler, 179

- Troubleshooting techniques, 867-871
- Trunked repeater systems, 569
- T section/junction, 635-636
- T-1 system, 419-420
- T-2 system, 420-421
- T-3 system, 420-421
- T-4 system, 420-421
- TT&C (telemetry, tracking, and command) subsystem, 693
- Tubes
 - ATR, 674
 - klystron, 644-646
 - magnetrons, 646-647
 - microwave, 644-648
 - TR, 674
 - TWT, 647-648
 - vacuum, 644
- Tunable laser, 742
- Tuned circuits, 42-56
 - defined, 42
 - microstrips, 623-628
 - PCB, 623
 - reactive components, 42-46
 - and resonance, 46-56
- Tuned output circuits, 265-267
- Tuned radio frequency (TRF) receiver, 295
- Tunneling, 609
- Turbo codes, 385, 392
- TV. See Television (TV)
- TV interference (TVI), 871
- TV white space (TVWS), 822-823
- 20-dB quieting sensitivity tests, 858-859
- Twin-T notch filters, 61-62
- Twisted-pair cable, 350-351, 446-447, 495-497, 504
- Twisted-pair connectors, 497-498
- 2FSK, 164
- 2G cell phones, 773-776
 - GSM, 775
 - IS-95 CDMA, 775-776
 - vocoders, 775
- 2.5G/5G Ethernet, 513-514
- Two-way communication, 7, 22-23
- Two-way radio, 23
- TWT. See Traveling-wave tube (TWT)
- Type P display, 675

U

- Ultrahigh frequencies (UHF), 17, 20, 240–241, 269
 - connector, 449–450
- Ultra-reliable, low-latency communications (uRLLC), 784
- Ultraviolet light (UV), 18
- Ultraviolet range, 720
- Ultrawideband (UWB)
 - advantages and disadvantages of, 820
 - primary application of, 820
 - wireless, 817–820
- UMTS 3G, 776
- Unbalanced transmission line, 447–448, 520
- Uncorrelated noise, 319
- Undersampling, 205
- Unidirectional antenna, 552
- Uniform resource locator (URL), 582
- Uninterruptible power supplies (UPS), 701
- Unipolar NRZ, 349, 503
- Unipolar RZ, 349
- Unit interval (UI), 866
- Universal asynchronous receiver transmitter (UART), 522–523
- Universal Serial Bus (USB), 527–528
- Unshielded twisted-pair (UTP) cable, 350–351, 447, 495–496
- Up conversion, 297
- Uplink, 690
- UPS (uninterruptible power supplies), 701
- URL (uniform resource locator), 582
- USB. *See* Universal Serial Bus (USB)
- User Datagram Protocol (UDP), 592–593
- UWB. *See* Ultrawideband (UWB)

V

- Vacuum tubes, 239, 241, 644. *See also* Microwave tubes
- Varactor
 - defined, 175
 - to generate FSK, 191
 - modulators, 177–178
 - operation, 175–177
- Variable-frequency oscillator (VFO), 241, 303–304
- Variable gain amplifier (VGA), 662
- Vector network analyzer (VNA), 844–848
 - architecture, 846–847
 - S-parameters, 847–848
- Vector signal analyzer (VSA), 842–844

Vector signal generator (VSG), 842
Velocity factor (VF), 454–455
Velocity modulation, 645
Vertical cavity surface-emitting laser (VCSEL), 742
Vertically polarized, 536
Vertical radiation pattern, 547
Vertical redundancy check (VRC), 386

Very high frequencies (VHF), 16, 20, 240–241, 269
 signal wavelength, 14
Very high-speed DSL (VDSL), 381
Very low frequencies (VLFs), 16
Very small-aperture terminal (VSAT), 702
VHF aircraft communication circuit, 332–334
Video or TV over the Internet (IPTV), 581
Video over Internet Protocol, 581
Virtualization, 600
Virtual LAN, 609
Virtual machines (VMs), 600
Virtual private network (VPN), 609
Viruses, 604
Visible light, 720
Visible spectrum, 17–18. *See also* Light
Viterbi code, 391
Vocoders, 775. *See also* 2G cell phones
 AMR, 783
Voice and video voltages, 8
Voice frequencies (VFs), 16
Voice over Internet Protocol (VoIP), 23, 508, 581, 609–611
 link establishment, 611
 signal flow, 610–611
Voice over LTE (VoLTE), 783
Voice signal flow., 610–611
Voltage-controlled crystal oscillator (VCXO), 245
Voltage-controlled crystal oscillator (VXO), 179
Voltage-controlled oscillators (VCOs), 179–181, 185–188, 413
 output frequency, 188–189
Voltage measurements, 830–831
Voltage variable capacitor (VVC), 245
Von Neumann, John, 229–230
Von Neumann bottleneck, 230
VSAT (very small-aperture terminal), 702

W

Walsh codes, 775–776

- WAN (wide-area network), 23, 488
- Waveguides, 622, 632-641
 - cutoff frequency, 633
 - hardware and accessories, 634-639
 - signal injection and extraction, 632-633
 - size and frequency, 633
- Wave impedance, 535
- Wavelength, 14-15, 720
 - light, 18
 - very high frequency signal, 14
- Wavelength-division multiplexing (WDM), 11, 512, 755-757
 - coarse, 755-756
 - dense, 756-757
- Wavelength of cables, 448-449
- WCDMA (wideband CDMA), 776
- WDM. *See* Wavelength-division multiplexing (WDM)
- Weighted current source DAC, 211-212
- Weightless, 821
- White noise, 312-314
- White spaces, 16
- Wide-area network (WAN), 23, 488
- Wideband CDMA (WCDMA), 776
- Wideband modulation, 370-379
 - orthogonal frequency-division multiplexing, 377-379
 - spread spectrum, 370-378
- Wide-bandwidth log-periodic antenna, 557
- Wide-wavelength division multiplexing (WWDM), 506
- Wi-Fi Direct, 807
- Wi-Fi Protected Access (WPA), 808
- WiGig, 805
- Wilkinson circuit, 626-627
- WiMAX, 379
- Wired data communication, 519-528. *See also* Serial data transfer
- Wired Equivalent Privacy (WEP), 808
- Wireless Ethernet, 507
- Wireless local area network (WLAN), 502, 513-514, 801-808
 - hardware, 803
 - security, 808
 - smartphones, 788
 - standards, 803-807
 - types of, 802
 - WFA, 807-808
- Wireless radio, 4. *See also* Radio
- Wireless remote control, 22
- Wireless security, 609, 808
- Wireless technologies, 800-826
 - Bluetooth, 808-810
 - comparing, 822

- IoT, 823-826
- NFC, 816-817
- optional, 820-823
- RFID, 813-817
- selection of, 820-822
- TVWS, 822-823
- UWB, 817-820
- WLAN, 801-808
- ZigBee, 810-812
- Wireless transceivers, 437-442
 - digital HDTV, 440-442
 - HD radio, 438
 - SDR communications receiver, 438-440
- Wireless UWB, 817-820
- WLAN. *See* Wireless local area network (WLAN)
- World Administrative Radio Conferences, 20
- World Wide Web (WWW), 23, 581, 593. *See also* Internet addresses, 582
- Worms, 604
- WWW. *See* World Wide Web (WWW)

X

- X2, 750
- xDSL modem, 379-381
- XENPAK, 750
- Xerox Corporation, 502
- XFP, 751
- Xmodem protocol, 394-395
- XM Satellite Radio, 706
- XOFF protocol, 394
- XON protocol, 394
- XOR phase detector, operation of, 249
- XPAK, 751
- XSBI, 750

Y

- Yagi antenna, 554-555
- Yahoo, 581
- YouTube, 599
- Yttrium-iron-garnet (YIG), 640

Z

Zero-IF (ZIF) receiver, 310-311
Zero impedance, 63
ZigBee, 810-812
ZigBee coordinator (ZC), 812
ZigBee end device (ZED), 812
ZigBee router (ZR), 812
Z-Wave, 821

page 926

page 927

page 928

**Mc
Graw
Hill
Education**

5011111

Course Organization Suggestions

COURSE ORGANIZATION SUGGESTIONS page A-2

Each instructor has a preference as to the sequence in which material should be presented. Also, techniques and equipment vary in importance from one place to another. With this in mind, the instructor should understand that the following suggestions for course organization are intended only to serve as a guideline.

This text is designed to supplement a one- or two-semester course in electronic communications fundamentals. It can be used at the two-year community college level and in many four-year technology or engineering programs. The course is typically a second-year course in associate degree programs or a junior or senior course in four-year programs. The math level is algebra and trigonometry.

Because of the wide range of subjects included, it is not generally practical to cover all chapters in a single course, although a survey course could do this by limiting the depth of coverage. It is recommended that the total number of chapters be limited to ensure sufficient time to cover the key fundamentals. Regardless of the length or goals of the

course, all should include the core of knowledge from the following chapters.

Core Courses:

- Chapter 1 Introduction to Electronic Communications
- Chapter 3 Amplitude Modulation Fundamentals
- Chapter 4 Amplitude Modulator and Demodulator Circuits
- Chapter 5 Fundamentals of Frequency Modulation
- Chapter 6 FM Circuits
- Chapter 7 Digital Communications Techniques
- Chapter 8 Radio Transmitters
- Chapter 9 Communications Receivers
- Chapter 10 Digital Data Transmission
- Chapter 11 Multiplexing, Duplexing, and Multiple Access
- Chapter 12 Digital and Software-Defined Radios
- Chapter 13 Transmission Lines
- Chapter 16 Antennas and Wave Propagation

NOTE 1: This core content is representative of a “minimum” radio or wireless course. And please note that digital techniques are included. It is not possible or practical to cover analog-only material in a first course as most communication systems today are digital. You cannot NOT cover digital and provide the student with the knowledge and perspective necessary to dealing with the real-world equipment and techniques.

NOTE 2: Chapter 2 has not been included in the above outline. This chapter is included since some curricula do not cover some of these basic fundamentals that all communications students must know. These include resonant circuits, filters, and the essential Fourier coverage that is a must to understand all communications systems. Some programs include this material in an AC circuits course making this chapter unnecessary.

A More Advanced Course

A longer or more comprehensive single course will cover the following additional chapters:

Chapter 15 Wired Digital Communications

Chapter 18 Microwave and Millimeter-Wave Communication

Chapter 19 Satellite Communication

Chapter 21 Cell Phone Technologies

Chapter 22 Wireless Technologies

Chapter 23 Communication Tests and Measurements

A Second Course in Communications

The second course for which the first course is the prerequisite has a networking focus. It should include the following chapters.

Chapter 14 Fundamentals of Networking, Local Area Networks, and Ethernet

Chapter 17 Internet Technologies

Chapter 20 Optical Communication

This course could optionally include the chapters listed under A More Advanced Course as well.

Answers to Questions, Problems, Critical Thinking, and Online Activities

CHAPTER 1

Answers to Questions

1. In the nineteenth century.
2. Transmitter, communications channel or medium, receiver, noise. See Fig. 1-2 in the text.
3. Wire cable, free space (radio and light), fiber-optic cable, water, the earth. The first three are the most widely used.
4. Modulator.
5. Demodulator.
6. The combination of a transmitter and a receiver in a single package that may share some circuits.
7. Attenuation, addition of noise.
8. Communications channel.
9. Noise.

10. Lightning, outer space (sun, stars), manufactured devices (motors, car ignitions, fluorescent lights, etc.).
11. Baseband signals.
12. Analog and digital.
13. Simplex. Broadcasting, paging, telemetry.
14. Full-duplex. Telephones: standard, cordless, cellular.
15. Half-duplex. Two-way radio, fax machine, computer modem.
16. Analog.
17. Digital or binary.
18. The analog signals are converted into binary signals first.
19. Information or intelligence signals.
20. Modulation.
21. Demodulation or detection.
22. One that consists of a carrier modulated by one or more baseband signals.
23. Multiplexing.
24. Demultiplexing.
25. Radio or wireless.
26. Electric or magnetic fields.
27. 1.5 kHz: 124.2 miles, 18 MHz: 54.67 ft, 22GHz: 1.36 cm.
28. Antennas would be too long to be practical, signals would not travel far, all signals would interfere with one another.
29. 20 Hz to 20 kHz.
30. 300–3000 Hz.
31. Yes, but only a few, usually military or government (navigation).
32. 535–1705 kHz.
33. Short waves.
34. VHF.
35. Two-way radio, TV, cellular telephone, radar, satellites.
36. Microwave.
37. Millimeter waves.

38. A micron is one-millionth of a meter or micrometer (μm) or 10^{-6} m. It is used to express light wavelength.
39. Infrared, visible, ultraviolet.
40. Heated objects or LEDs and lasers.
41. 0.7 to 100 μm .
42. An angstrom is 10^{-10} m and is used to state light wavelength.
43. 0.4 to 0.8 μm .
44. Free space and fiber-optic cable.
45. Facsimile and television.
46. Paging.
47. Telemetry.
48. Cordless telephones, cellular telephones, microwave relay, satellites.
49. The reflection of radio waves from a distant object.
50. Sonar. Passive sonar listens to underwater sounds. Active radar sends out an ultrasonic signal and listens for its reflection or echo to determine range and bearing.
51. Amateur or ham radio.
52. Modem.
53. Local area networks (LANs).
54. Wireless.
55. Engineer, technologist, technician.
56. Design and analysis of circuits, equipment, and systems.
57. Bachelor's degree (B.S.E.E.).
58. Associate's degree (A.S.E.E., A.A.S., etc.).
59. Bachelor's degree in technology.
60. Usually no.
61. Install, operate, maintain, troubleshoot, repair, and service equipment.
62. Sales, technical writing, training.
63. Manufacturers create products, distributors transfer products to resellers who market the products, service

- organizations install, repair, and maintain the products, and end users apply the products.
64. Communications standards ensure compatibility and interoperability of equipment.
 65. Communications standards define modulation and/or multiplexing methods, frequencies of operation, protocols, and interface methods, including mechanical connections.

Answers to Problems

1. 7.5 MHz, 60 MHz, 3750 MHz, or 3.75 GHz.
2. ELF.
3. Radar and satellites.

Answers to Critical Thinking

1. Vary carrier amplitude, frequency, or phase.
2. TV remote control (infrared and RF), garage door opener (radio—VHF or UHF).
3. Stars (suns) radiate radio waves that can be received by directional antennas that can record azimuth and elevation to plot star positions.
4. Individual student's choice.
5. Narrow or restrict the bandwidth of some signals and their channel bandwidth, use more multiplexing, share frequencies at different times or when signals do not carry far. Use more wire or cable systems. In digital systems, use data compression techniques. Use the optical range.
6. $982.08 \text{ ft}/\mu\text{s}$, $11.8 \text{ in}/\text{ns}$, $3 \times 10^8 \text{ m/s}$.
7. The speed of light is 186,000 miles per second (mi/s) or 300,000,000 meters per second (m/s). The speed of sound is only a fraction of that, or about 1129 feet per second (ft/s) or 344 meters per second (m/s). You cannot see light travel because its speed is so fast that

it appears instantaneous. Over long distances as in space, it takes light-years to go from one place to another. The sun is about 93 million miles from the earth. It takes light from the sun $93,000,000 \text{ mi} / 186,000 \text{ mi/s} = 500 \text{ seconds}$, or about 8.33 minutes to reach us.

Sound speed is easily observed. Lightning at a distance is an example. You see the lightning first and then hear it (the thunder clap) later. page-B3

8. Remote control of automobile door locks and alarms by key chain transmitters, wireless speakers for stereo. Reverse control of a cable TV box by the cable company using digital signals, using cable TV modems for Internet access, telemetry of signals for water, gas, or electric utility monitoring. Radar speed measurement of baseball pitches.
9. Student ideas and innovations.
10. Call the FCC to get advice and direction. Search the FCC website at www.fcc.gov. Communications consultants can be hired to help you with this. Order copies of the relevant U.S. Government Code of Federal Regulations (CFR) Title 47 from the U.S. Government Printing Office.
11. Some examples are telephone, cordless telephone, cellular telephone, CB radio, TV set with remote control, radio, FM stereo system, garage door opener, PC with modem to on-line service, cable TV converter box, fax machine.
12. The “cup and string” communications system is theoretically sound although very inefficient. If the string is pulled taut, but not too taut, it will carry sound waves from one cup to the other. Speaking into one cup causes the bottom of the cup to vibrate like a diaphragm in a microphone. This transmits the sound to the string. The string vibrates the bottom of the

receiving cup, which acts like a speaker cone to transfer the sound to your ear. The key to the success of this system lies in the efficient coupling of the string to the bottom of the cups and the tension on the string. Tension must be present in order to pick up and transmit the sound. If the tension is too great, it will inhibit the vibration of the cup bottoms.

CHAPTER 2

Answers to Questions

1. X_C decreases as frequency increases.
2. X_L decreases as frequency decreases.
3. Skin effect is a phenomenon that causes electrons to flow near the outer surface of a conductor rather than at the center or uniformly over the cross section. It reduces the area for electron flow, thus increasing resistance. The effect is frequency-sensitive, causing a resistance increase at higher frequencies. Skin effect causes Q to be lower at the higher frequencies.
4. The inductance of the wire increases, creating a low-value RF choke.
5. Toroid.
6. In a series resonant circuit at resonance, impedance is minimum and current is maximum.
7. In a parallel resonant circuit at resonance, impedance is maximum and line current is minimum.
8. There is an inverse relationship between Q and bandwidth. High Q means narrow bandwidth, and low Q translates to wider bandwidth.
9. Bandpass filter.
10. Notch filter.
11. Selectivity is the ability of a circuit to pass signals on a desired frequency or range of frequencies while

- rejecting other signals outside the desired range.
12. Fourier theory states that any nonsinusoidal signal may be represented or analyzed as the sum of a fundamental sine wave at the signal frequency plus odd, even, or odd plus even harmonic sine waves of different phases and amplitudes.
 13. Time domain refers to displaying or expressing a signal as a varying voltage, current, or power with respect to time. In the frequency domain, signals are displayed or expressed as a sequence of voltage or power levels of sine waves at specific frequencies representing the Fourier components of the signal.
 14. 2400, 4000, 5600, 7200 Hz.
 15. See text Fig. 2-61. Even harmonics: half-wave rectified sine wave. Odd harmonics: 50 percent duty cycle square wave.
 16. The distortion occurs because harmonics may be filtered out, leaving a different waveshape.
 17. Radio Frequency Front End (RFFE) in cell phones.

Answers to Problems

1. $A = 50,000$.
2. $A = 0.607$.
3. 30,357.14.
4. $A = 2310$, V_{out} (stage 3) = 0.2772 V, V_{out} (stage 2) = 39.6 mV, V_{out} (stage 1) = 1.8 mV.
5. $A = 5.4$, $V_{in} = 0.41$ V.
6. 50,000 - 94 dB, 0.607 - 4.34 dB, 30,357.14 - 89.6 dB, 2310 - 67.27 dB, 5.4 - 14.65 dB.
7. 14 dB.
8. $P_{out} = 189,737$ W.
9. 37 dBm.
10. 13 dB.
11. 11.37 Ω .

12. 7.1 pF.
13. 4522 Ω .
14. 23.9 MHz.
15. $Q = 24$.
16. 45.78 MHz.
17. 0.978 μH .
18. $f_r = 4 \text{ MHz}$, $X_L = 829 \Omega$, $Q = 59.2$, $\text{BW} = 67.55 \text{ kHz}$.
19. $\text{BW} = 2.4 \text{ MHz}$.
20. 3.18 mV.
21. $Q = 111.116$.
22. 389.9 k Ω .
23. See text Fig. 2-62(c). $f(t) = 10/\pi[\sin 2\pi 100,000t - \frac{1}{2} \sin 2\pi 200,000t + \frac{1}{3} \sin 2\pi 300,000t - \frac{1}{4} \sin 2\pi 400,000t \dots]$.
24. 43.75 MHz.
25. 41.67 ns.

Answers to Critical Thinking

page-B4

1. The inductance and capacitance are distributed along wires, cables, other components, and any related conductors.
2. The cancellation of X_L and X_C at resonance and the low resistance produces a high current flow which, in turn, produces high voltage drops when Q is high (>10).
3. Low-pass filter.
4. 12.5 GHz.
5. At resonance, a parallel tuned circuit appears to be a high pure resistance. Placing a resistor in parallel with it reduces the effective impedance of the circuit, adding loss which translates to a lower Q . Lower Q gives wider bandwidth.
6. (a) $f_r = 45.97 \text{ MHz}$; (b) $Q = 77$;
(c) $\text{BW} = 597 \text{ kHz}$; (d) $Z = 17.78 \text{ k}\Omega$.
7. 3.98 MHz.

8. $C = .0015 \mu\text{F}$.
9. (a) 90.44 MHz; (b) 36.17 MHz.
10. Half-wave rectifier. It produces only even harmonics output. Therefore, its second harmonic is strong, making it a good doubler. Since no odd harmonics are present, the high-level harmonics (fourth and higher) are easy to filter out.

CHAPTER 3

Answers to Questions

1. Modulation is the process of modifying the characteristics of a signal called a *carrier* with another information signal for the purpose of transmitting the information signal more efficiently or effectively.
2. Modulation is necessary because the information signal is usually incompatible with the communications medium.
3. Modulator. Carrier. Modulating, information, or intelligence signal.
4. The amplitude of the carrier varies with the intelligence signal, but frequency and phase are not affected.
5. False.
6. Envelope. It has the shape of the modulating information signal.
7. Time domain signals.
8. $V_c \sin 2\pi f_c t$.
9. True.
10. Multiplication.
11. $V_m = V_c$.
12. Percentage of modulation.
13. With overmodulation (>100 percent), clipping of the signal occurs. This introduces harmonics, which also

modulate the carrier. The effect is to distort the signal, reduce its intelligibility, and increase the bandwidth of the AM signal, possibly causing interference to adjacent signals.

14. Sidebands.
15. Time domain signal.
16. Frequency domain display. Spectrum analyzer.
17. Nonsinusoidal signals contain harmonics, which are multiples of the fundamental modulating signal. These also create sidebands that widen the bandwidth of the signal.
18. Carrier, lower sideband, upper sideband frequencies.
19. Amplitude shift keying (ASK) or ON-OFF keying (OOK).
20. It may help explain the operation of some types of circuits.
21. False. This is not typical, but some kinds of modulator circuit can cause this.
22. 66.7 percent carrier, 33.3 percent both sidebands, 16.7 percent one sideband.
23. No. The carrier is a signal frequency. The intelligence is in the sidebands.
24. Double-sideband suppressed carrier (DSB).
25. Balanced modulator.
26. A single sideband.
27. Less bandwidth and spectrum space, more power-efficient, less noise, less fading.
28. F3 and A4_c or A3C.
29. The bandwidth of 2 kHz voice modulated AM signal is 4 kHz. The bandwidth of an AM signal modulated by a binary signal of 2 kHz is theoretically infinite. Assuming alternating binary 0s and 1s for a square wave, the square wave will produce odd harmonics. If the odd harmonics are significant to the 7th, then the bandwidth would be $7 \times 2 \text{ kHz} = 14 \text{ kHz} \times 2 = 28 \text{ kHz}$.

Answers to Problems

1. $m = (V_{max} - V_{min}) / (V_{max} + V_{min})$.
2. 31.5 percent.
3. 100 percent.
4. 37.5 V.
5. 80 percent.
6. $V_m > V_c$.
7. 3896 kHz, 3904 kHz; BW = 8 kHz.
8. BW = 15 kHz; 2098.5 kHz, 2101.5 kHz, 2097 kHz, 2103 kHz, 2095.5 kHz, 2104.5 kHz, 2094 kHz, 2106 kHz, 2092.5 kHz, 2107.5 kHz.
9. 800 W.
10. 3241.125 W.
11. 70.7 percent.
12. 2209 W.
13. 72.9 percent.
14. 375 W.
15. 825 W.
16. 1095 W.
17. 25 to 33.3 W average.
18. 2,299,850 to 2,295,800 Hz.

Answers to Critical Thinking

1. Yes. In many applications, the information or baseband signal may be transmitted directly over wires as it is in the telephone system.
2. Peak envelope power.
3. 12.4232, 12.4279, 12.43, 12.4321, 12.4368, 12.5632, 12.5679, 12.57, 12.5721, 12.5768 MHz; BW = 153.6 kHz.
4. You would generate an SSB lower sideband signal with one information signal and an SSB upper sideband signal with the other information signal, using the same

carrier frequency on both. Since the carrier is suppressed, there will be no interference.

5. 128 W. page-B5
6. Theoretically, the carrier can be a lower frequency than the modulation signal, but this is never done. The sidebands produced by modulating a 1-kHz carrier with a 10-kHz signal are $1 \text{ kHz} + 10 \text{ kHz} = 11 \text{ kHz}$ (USB) and $1 \text{ kHz} - 10 \text{ kHz} = -9 \text{ kHz}$ (LSB). A negative frequency is not possible. Some types of modulators might interpret the 10-kHz modulating signal as the carrier and the 1-kHz carrier as the information signal, resulting in an AM spectrum similar to that produced with a 10-kHz carrier and 1-kHz modulating signal.

CHAPTER 4

Answers to Questions

1. Multiplication.
2. Square law.
3. One technique used to produce AM is to have the modulating signal vary the gain or attenuation of a linear circuit through which the carrier is passed. Another technique for generating AM is to linearly mix the carrier and modulating signal and apply them to a nonlinear circuit with a square-law response.
4. Field-effect transistor.
5. Carrier, modulating signal, upper and lower sidebands.
6. A Schottky diode.
7. Since AM is a multiplication process, an analog multiplier is a natural amplitude modulator.
8. Linear.

9. The gain of a differential amplifier is proportional to the emitter current. When the modulating signal is used to vary the emitter current, the gain can be varied in proportion. The differential amplifier is then used to amplify the carrier, the amplitude of which is varied by the modulating signal.
10. Final RF power amplifier.
11. Use a half-wave rectifier diode detector.
12. The filter capacitor across the load in a diode detector must have a value that is high enough to filter out the carrier frequency and low enough so that it does not distort the recovered lower-frequency information signal.
13. A switch or switches, either diodes or transistors. A clock oscillator inside the receiver operates the switches.
14. Upper and lower sidebands are generated. The balanced modulator eliminates or greatly suppresses the carrier.
15. Lattice modulator.
16. The crystal filter is the most commonly used.
17. Obtaining a constant 90° phase shift over the full audio frequency range.
18. An IC balanced modulator produces more suppression than a lattice type.
19. Product detector.
20. A signal equal to the original carrier frequency.

Answers to Problems

1. 28.8 W; 14.4 W.
2. 8.9982 MHz.
3. $200 \mu\text{V}$.

Answers to Critical Thinking

1. A synchronous detector produces less distortion, has better signal-to-noise ratio, and is better at reducing the effects of selective fading than a diode detector.
2. Yes, because a balanced modulator is a set of diode or transistor switches that are operated by the carrier signal.
3. The recovered tone has a frequency of 250 Hz rather than 400 Hz because the reinserted carrier differs from the carrier of 5 MHz by 150 Hz. If the carrier is not exactly at the original value, the recovered signal will be different. This means that if voice signals are involved, the frequency range of the voice will be shifted up or down from the original range, producing a low-frequency deep voice or a very-high-frequency “ducklike” voice.

CHAPTER 5

Answers to Questions

1. Angle modulation.
2. The carrier amplitude does not change during FM or PM.
3. Deviation (δ).
4. During FM, as the amplitude of the modulating signal increases, the frequency deviation of the carrier increases in proportion. The rate of the deviation is the same as the frequency of the modulating signal.
5. During PM, the frequency deviation is proportional to the amplitude and the frequency of the modulating signal.
6. Maximum deviation occurs in FM at the maximum amplitude point of the modulating signal. In a PM signal, maximum deviation occurs during the maximum rate of change of the modulating signal, which

corresponds to the maximum modulating frequency at the zero crossing points.

7. To produce FM, a phase modulator must have a low-pass filter at the modulating signal input that rolls off the modulating signal amplitude at the higher frequencies to compensate for the higher deviation the phase modulator produces at the higher modulating frequencies.
8. Indirect FM.
9. When the modulating signal is constant, that is, not changing, the PM modulator output is at the carrier frequency.
10. Frequency shift keying (FSK).
11. Phase-shift keying (PSK).
12. The higher modulating frequencies must be attenuated in proportion to their frequency by a $1/f$ or low-pass filter to produce FM.
13. Both the modulation index and the deviation ratio are computed by dividing the deviation by the modulating frequency. However, the deviation ratio is calculated by using the maximum allowed deviation and modulating frequency. page-B6
14. Narrow-band FM is a system with a deviation ratio of less than $\pi/2$. The goal of NBFM is to have only one significant pair of sidebands such as an AM signal to conserve spectrum space. A deviation ratio of 0.2 achieves this result, but deviation ratios of up to about 1.67 are used in practical equipment.
15. Bessel functions.
16. A negative sign on a sideband value indicates a 180° phase shift.
17. Noise introduces amplitude variations in an otherwise constant amplitude signal. The noise also causes phase shifts which translate to frequency shifts, which in turn are interpreted as distortion.

18. Noise is minimized by clipping off the amplitude variations so that the FM signal is a constant amplitude before demodulation.
19. The primary advantage of FM over AM is that its transmission is more reliable and superior in the presence of noise.
20. Two additional advantages of FM over AM are, first, that the capture effect helps minimize interference and, second, that efficient class C amplifiers can be used for transmitter power amplifiers.
21. Most noise consists of high-frequency spikes or pulses generated by equipment.
22. An FM transmitter can use class C amplifiers, which are more efficient power amplifiers than class A, AB, or B amplifiers, which must often be used with AM transmitters.
23. The greatest disadvantage of FM is the wide bandwidth it normally requires. This excessive use of spectrum space can be overcome by using NBFM with small deviation ratios or by operating in the UHF and microwave regions, where more spectrum space is available.
24. Class C; linear or class A or AB.
25. Limiter or clipper.
26. The capture effect is the phenomenon that occurs when two FM stations are operating in the same frequency and the strongest "captures" the channel, thereby eliminating the other. The capture effect is caused by the limiting and demodulation action in the receiver.
27. Higher-frequency modulating signals are most affected by noise because noise contains more high frequencies.
28. Pre-emphasis is the process of passing the modulating signal through a special high-pass filter that boosts the amplitude of the higher frequencies at the modulator

- prior to transmission so that it will be larger than most of the noise it will pick up at the receiver.
29. High-pass filter.
 30. De-emphasis is the process of flattening the frequency response to its normal level by attenuating the previously boosted high-frequency signals. This is done at the receiver.
 31. Low-pass filter.
 32. $f_{co} = 2122$ Hz.
 33. Bluetooth and Z-wave.
 34. Filter the baseband signal to lower harmonic content.
 35. MSK.
 36. Cycle-to-cycle transition discontinuities introduce harmonics that extend bandwidth.
 37. A Gaussian filter removes harmonics that widen bandwidth.

Answers to Problems

1. $m_f = 12 \text{ kHz} / 2 \text{ kHz} = 6$.
2. Deviation ratio = $4 \text{ kHz} / 2.5 \text{ kHz} = 1.6$.
3. For Problem 1: $m_f = 6$ (see Fig. 1). As shown in Fig. 5-8 in the text, there are 9 significant sidebands spaced 2 kHz apart on both sides of the carrier. Bandwidth = $2(9)(2 \text{ kHz}) = 36 \text{ kHz}$. Using Carson's rule, the bandwidth can be calculated:

$$\text{BW} = 2[f_{d(\text{max})} + f_{m(\text{max})}] \text{ BW} = 2(12 \text{ kHz} + 2 \text{ kHz})$$

$$= 28 \text{ kHz}$$

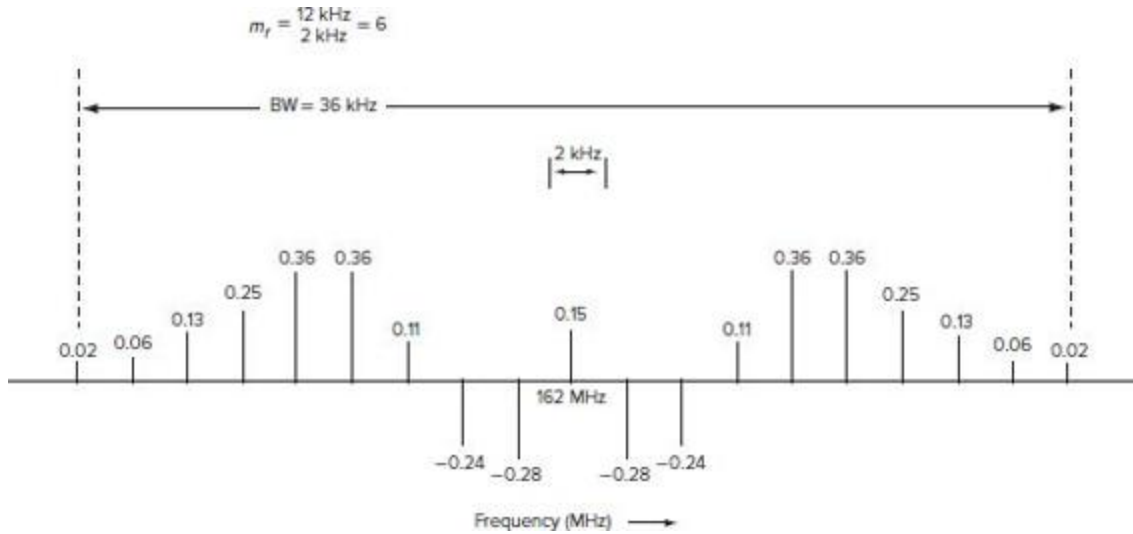


FIGURE 1

For Problem 2: $mf = 1.6$ (see Fig. 2). The sidebands are estimated from Fig. 5-8 in the text. There are 4 significant sidebands on each side of the carrier, spaced 2.5 kHz apart.

page-B7

Bandwidth = $2(4)(2.5 \text{ kHz}) = 20 \text{ kHz}$. Using Carson's rule, the bandwidth can be calculated:

$$BW = 2[f_{d(\max)} + f_{m(\max)}] \quad BW = 2(4 \text{ kHz} + 2.5 \text{ kHz}) \\ = 13 \text{ kHz}$$

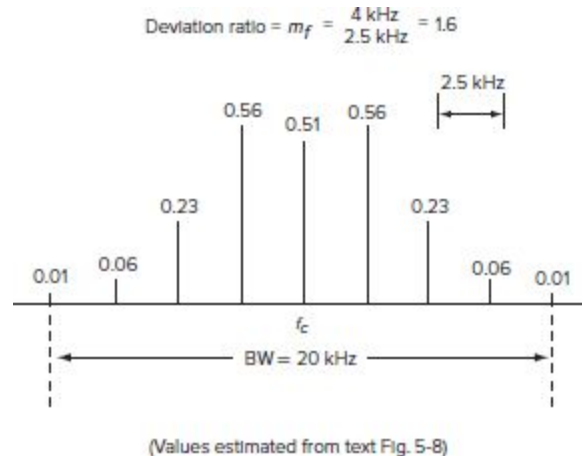


FIGURE 2

4. 3 kHz.

5. -0.1.
6. 3.8.
7. 8.57.
8. $\delta = 149.5$ Hz, S/N = 26.76:1.
9. 3750 Ω , 3600 or 3900 Ω (EIA).
10. $m_f = 1.5$, BW = 16.67 kHz. See Fig. 3.

Answers to Critical Thinking

1. FM could be used in the AM broadcast band without violating the channel bandwidth restrictions if an NBFM with an m_f of 0.2 was used.
2. The modulating signal is a 1.5-kHz square wave with components of 1.5 kHz (fundamental), third harmonic (4.5 kHz), and fifth harmonic (7.5 kHz). $m_f = 0.25$. Only the single most significant sideband is produced. See Fig. 4.

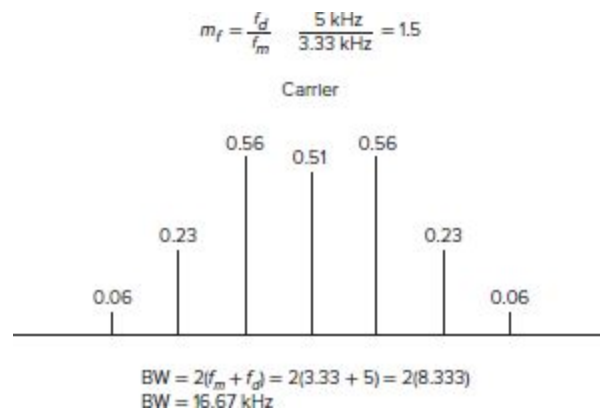


FIGURE 3

3. a. See Fig. 5.
- b. See Fig. 6.
- c. BW (text Fig 5-8) = 240 kHz.
- d. BW (Carson's rule) = 180 kHz.
- e. The BW determined by Carson's rule is the best fit to the actual channel assignment.

4. $BW = 19 \text{ kHz}$ by Carson's rule; $m = 6/3.5 = 1.7$; relative amplitudes: carrier = 0.43, first sideband = 0.57, second sideband = 0.25, third sideband = 0.08.
5. If the deviation ratio is 5 and the maximum deviation is 75 kHz, the maximum modulating frequency is $75/5 = 15 \text{ kHz}$. If this is the third harmonic, the fundamental is $15/3 = 5 \text{ kHz}$. A 5-kHz square could be transmitted. This would translate to a maximum data rate of 10k bits per second.
6. When electing FSK frequencies, ensure that they share common zero crossing times that will eliminate discontinuities and generate harmonics that widen bandwidth.

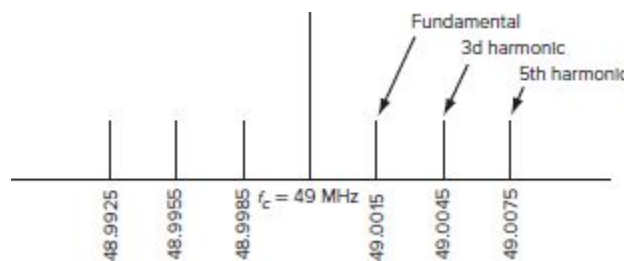


FIGURE 4

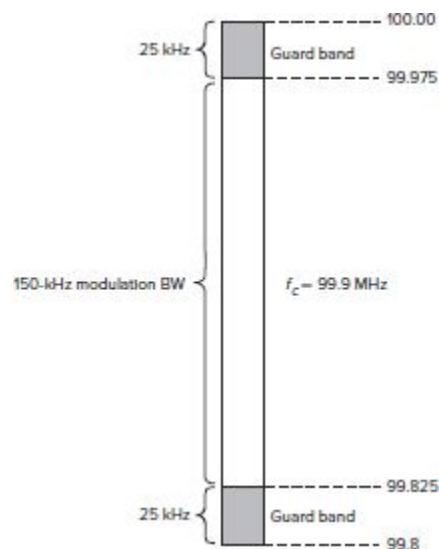


FIGURE 5

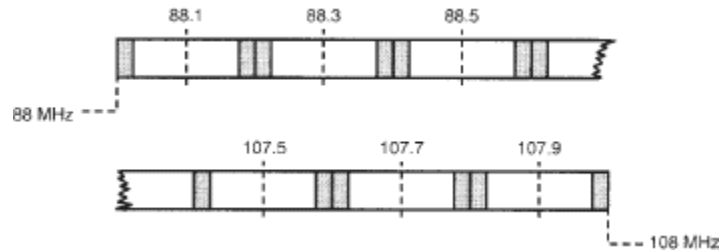


FIGURE 6

CHAPTER 6

Answers to Questions

1. The P- and N-type semiconductor areas of the junction diode.
2. The capacitance decreases as the reverse bias voltage is increased.
3. Reverse bias.
4. Their frequency is more difficult to set precisely, and their frequency stability is far less than that of a crystal oscillator. There is too much frequency drift.
5. Yes, a crystal oscillator can be directly frequency-modulated by a varactor diode. The main disadvantage is that the deviation is limited to a narrow frequency range.
6. A phase modulator uses a fixed-frequency carrier oscillator with a crystal for better stability and precise frequency setting.
7. Indirect FM.
8. R_3 and C_3 .
9. Pulse-averaging discriminator and quadrature detector.
10. Phase-locked loop.
11. The capture range of a PLL is the range of frequencies over which the PLL is sensitive to inputs that can be acquired and used to control the VCO frequency. The lock range is the extent of frequencies over which the

- VCO can vary to track the input frequency with the PLL remaining in the locked condition.
12. The free-running frequency of the VCO set by the frequency-determining *RC* or *LC* components.
 13. Bandpass filter.
 14. True.
 15. Quadrature detector.
 16. Coherent FSK produces less harmonics and a narrower bandwidth.
 17. Superior noise tolerance and rejection.

Answers to Problems

1. 1.29 MHz.
2. The frequency increases to 1.336 MHz.
3. 3141.4 Hz or ± 1570.7 Hz at 4000-Hz modulating frequency.
4. 10.7 MHz; low-pass filter output.
5. 1300 and 1450.
6. $\phi = 39.66^\circ$; $\phi = 48.74^\circ$; phase difference = $48.74 - 39.66 = 9.08^\circ$; $9.08^\circ = 0.1585$ rad; equivalent deviation = $0.1585(400) = 63.4$ Hz or ± 31.7 Hz.

Answers to Critical Thinking

1. A limiter must be used ahead of the Foster-Seeley discriminator. No limiter is required for the ratio detector.
2. Phase or error detector, VCO, and low-pass filter. The phase detector compares the output of the VCO to an input. Any error is detected, filtered by the low-pass filter, and used to control the VCO so that the VCO frequency equals the frequency of the input.
3. The filtering out of the higher upper and lower sidebands reduces the amount of received signal

power. The recovered signal will be a distorted version of the original modulating signal.

4. 669.6 MHz, or 18 kHz.
5. Closer to ground. Moving the arm of potentiometer R_4 closer to ground reduces the reverse bias on varactor D_1 , making its capacitance higher; this will lower the resonant frequency of the oscillator.

CHAPTER 7

Answers to Questions

1. Noise immunity, ability to detect and correct transmission errors, compatibility with time division multiplexing techniques, digital signal processing potential. Noise immunity is the most important.
2. Data conversion is the process of changing analog to digital and vice versa. Analog-to-digital (A/D) conversion and digital-to-analog (D/A) conversion.
3. Sampling.
4. Quantizing.
5. Digitizing.
6. Analog signals are sampled and converted into a sequence of binary numbers that are transmitted in parallel or serial, or processed.
7. A stepped approximation of the original continuously varying analog signal.
8. Reference voltage, resistor (or capacitor) network, switches, output amplifier.
9. Aliasing is a problem that occurs if the sampling rate of an ADC is less than two times the highest signal frequency. A false signal is generated at a frequency equal to the difference between the signal and sampling frequencies.
10. Op amp.

11. Successive approximations, flash, and sigma-delta. Successive approximations is the most widely used.
12. Successive approximations converter.
13. Flash. The analog sample is compared to multiple voltage levels simultaneously, and the comparator outputs are translated into a binary code.
14. Oversampling is digitizing a signal at more than twice the Nyquist (x2) rate. Undersampling is digitizing a signal a less than the Nyquist (x2) rate.
15. Shift register.
16. Sample-and-hold amplifier. It keeps the signal constant for the A/D converter, minimizing errors that occur if the signal changes.
17. Signal-delta converters are used primarily in digital audio applications (CD, MP3). Very low noise is the primary benefit.
18. Mixing.
19. Companding.
20. 24 bits, sigma-delta converter.
21. Pulse-amplitude modulation (PAM), pulse-width modulation (PWM), pulse-position modulation (PPM). PAM is not binary.
22. String DAC.
23. Flash converters.
24. True.
25. Pipelined converters.
26. Sigma-delta.
27. Capacitors (D/A) converters are preferred because they use less space on an integrated circuit so can be easily integrated with other circuits. They are also less critical in adjustment and manufacturing.
28. Oversampling means that the signal to be digitized is samples at a rate many times the minimum Nyquist rate. Sigma-delta converters use this technique. It is

- done to provide higher resolution in the conversion process and to lower the noise level.
29. Aliasing is prevented by placing a low-pass filter at the input to the ADC with a cut-off frequency that is less than half the sampling rate.
 30. Power supply voltage regulation and motor speed control.
 31. DSP is the process of converting an analog signal to binary and processing the resulting data mathematically to perform filtering and other actions, and then converting the signal back to analog.
 32. A special high-speed microprocessor.
 33. Multiplication and summation.
 34. Von Neumann and Harvard. Von Neumann processors use a common memory address space for both the data and the program. Harvard processors use one memory and address space for data and another for the instructions in the program.
 35. Filtering, data compression, spectrum analysis, equalization, phase shifting, signal averaging.
 36. The DFT and FFT output is a set of binary numbers that indicate the amplitudes of the sine wave fundamental and harmonics that make up the signal and another set of binary numbers that indicate the phase of each harmonic component.
 37. Finite impulse response (FIR) and infinite impulse response (IIR) filters. The FIR filter is nonrecursive, and the IIR filter is recursive (i.e., it uses feedback).
 38. Spectrum analysis.

Answers to Problems

1. 7 MHz.
2. 4095 increments of 1.221 mV.
3. 3 kHz.
4. 52.86 mV.

5. 92.06 dB.
6. 13 bits.
7. The aliased spectrum is from 52 to 68 MHz. The optimum sampling frequency is 40 MHz.

Answers to Critical Thinking

1. Most 2-way radio is still analog (FM) including the Family Radio Service (FRS) units and Citizen's Band radios (AM/SSB). Amateur radio is still analog with SSB and FM voice. AM and FM broadcast radio was one of the last uses to analog but with HD Radio these transmissions are now available in digital format. TV is now mostly digital. All cell phones are digital. The standard telephone is still analog from the home to the central office, but from there everything is digital. At this time virtually all communications today are digital in format.
2. The analog AM signal would be picked up by the antenna and amplified with a normal RF amplifier. The signal would then be fed to an A/D converter, which would convert it into binary data that would be sent to a DSP computer where all normal receiver functions, such as filtering for selectivity and demodulation, would be carried out. Frequency translation, as done by superheterodyne receivers, could also be implemented, although this is not necessary. The recovered signal in binary form would be sent to a D/A converter, where it would be converted into the original analog voice or music signal and then sent to an audio power amplifier where it would drive a speaker.
3. Flash or pipeline type A/D converters. These are the only A/D converters fast enough to convert video to digital.
4. Parallel transfers are faster only on short buses (< few inches). Serial is faster over very long cables (i.e., fiber

optic).

CHAPTER 8

Answers to Questions

1. Crystal oscillator or frequency synthesizer, buffer amplifier, frequency multiplier, power amplifiers, modulator. Some transmitters may include a mixer.
2. Low-power AM or any DSB/SSB transmitter.
3. 180° .
4. Signal bias.
5. Crystal oscillators may be more precisely set to a specific frequency, but more important, the frequency remains more constant and stable over time with variations in temperature, supply voltage, and so on.
6. Add a variable capacitor in series or parallel with the crystal.
7. By changing the frequency division ratio.
8. A prescaler is a high-frequency divider circuit, usually in IC form, that is connected between the VCO output and the input to the programmable frequency divider used in the feedback loop of a PLL. It is used because programmable frequency dividers are usually not capable of operating at the higher VCO frequency.
9. The loop filter smoothes the output of the phase detector into a varying direct current to control the VCO frequency.
10. Digital-to-analog converter (DAC) and low pass filter (LPF).
11. The ROM stores binary values representing sine wave values at equal degree spacings.
12. Change the binary value in the phase increment counter.
13. Class D or E.

14. For individual transistors, 500 W or so; for multiple transistors, several thousand watts.
15. Power-added efficiency is the ratio of the output power of a PA less the driving power to the dc power consumed expressed as a percentage.
16. High efficiency, low heat generation, and simple circuits. page-B10
17. Both are switching-type amplifiers, but class D uses two transistors and dual power supplies, whereas the class E amplifier uses a single supply and transistor.
18. An envelope tracking PA uses the recovered amplitude of the signal to be amplified to modulate the dc supply to the PA. This keeps the PA dc operating point in the optimum range for best efficiency.
19. A feedforward power amplifier generates the amplified signal with and without distortion and subtracts out the distortion(harmonics) before being sent to the output.
20. The feedback is a sample of the amplified output signal with distortion.
21. $Z_i = Z_L$.
22. A toroid is a donut-shaped magnetic core used to make inductors, transformers, and baluns.
23. Toroids do not radiate their magnetic field like other coils. Most of the magnetic field is confined to the core. The high permeability of the core permits higher-value inductors to be made with fewer turns of wire than in an air core coil.
24. Filtering out harmonics.
25. Autotransformer.
26. Balun. A common application is to convert balanced outputs to unbalanced (grounded) loads or unbalanced outputs to balanced (ungrounded) loads.
27. So that the amplifier will amplify signals over a wide frequency range.
28. Transformers.

29. 1:1, 1:4, 1:9, 1:16, 1:25.
30. Higher Q or Q selected for a specific bandwidth.
Improved selectivity and minimized harmonics.

Answers to Problems

1. 206.4 MHz.
2. 30 ppm.
3. 25.005 MHz.
4. 8.625 MHz.
5. 1627.
6. 100 kHz.
7. 132 MHz, 50 kHz.
8. .08789 degrees.
9. 48,828.125 Hz.
10. 14.296875 MHz.
11. 72 W.
12. The network of Fig. 7-39(b) in the text is applicable; $L = 31.8$ nH, $C = 47.1$ pF.
13. $L = 48.1$ nH, $C = 174.2$ pF.
14. $L = 176.92$ nH, $C_1 = 15.76$ pF, $C_2 = 34.18$ pF.
15. 450 Ω .
16. 7.071 to 1.

Answers to Critical Thinking

1. Reference oscillator, phase (error) detector, low-pass (loop) filter, VCO, frequency divider. The output is taken from the VCO.
2. Since a sine wave is symmetrical around its peak values and above and below zero, only one set of values from 0 to 90 degrees instead of 360 degrees is needed. The values are used directly from 0 to 90, then by accessing the same values in the reverse order, values of 90 to 180 degrees are achieved. The process

is repeated for the negative half cycle but the resulting output voltage is inverted.

3. $R_i = 5.5 \Omega$

$R_L = 50 \Omega$

$$X_L = \sqrt{R_i R_L - (R_i)^2}$$

$$= \sqrt{(5.5)(50) - (5.5)^2}$$

$$= \sqrt{275 - 30.25}$$

$$= \sqrt{244.75} = 15.64 \Omega$$

$$X_L = 2\pi f L$$

$$L = X_L / 2\pi f$$

$$f = 112 \text{ MHz}$$

$$L = 15.64 / (6.28)(112 \times 10^6)$$

$$L = 22 \text{ nH (total series inductance)}$$

$$\text{Value of } L \text{ in network inductor} = 22 \text{ nH} - 7 \text{ nH (stray, internal inductance)} = 15 \text{ nH}$$

$$Q = \sqrt{\frac{R_L}{R_i} - 1} = \sqrt{\frac{50}{5.5} - 1} = \sqrt{8.1} = 2.84$$

$$X_c = \frac{R_i R_L}{X_L} = \frac{5.5(50)}{15.64} = 17.58 \Omega$$

$$X_c = \frac{1}{2\pi f C}$$

$$\text{therefore, } C = \frac{1}{2\pi f X_c}$$

$$C = \frac{1}{6.28(112 \times 10^6)(17.58)} =$$

$$80.85 \text{ pF (total shunt } C)$$

$$C \text{ in network} = \text{total } C - \text{stray } C$$

$$80.85 - 22 = 58.85 \text{ pF}$$

4. $N_p/N_S = 0.2887.$

5. Most modern digital transmitters use a form of modulation such as OFDM, QAM or, spread spectrum that requires both amplitude and phase components be accurately amplified.

CHAPTER 9

Answers to Questions

1. The bandwidth increases.
2. The simplest receiver is an antenna, a selective circuit and a demodulator.

3. The higher-frequency sidebands would be greatly attenuated, thereby distorting the signal.
4. The selectivity of a receiver is usually determined by the IF amplifier filters or in a direct conversion receiver by the filters following the downconverting mixers.
5. The shape factor of 1.8 represents the best selectivity.
6. Tuned radio frequency (TRF).
7. Superheterodyne.
8. Mixer and local oscillator.
9. IF amplifier.
10. Automatic gain control (AGC).
11. Local oscillator frequency and input (received) signal frequency.
12. IF amplifier, RF amplifier.
13. Image.
14. Poor (too broad) selectivity in the RF amplifier or receiver input tuned circuits.
15. A dual-conversion superheterodyne has two mixers and local oscillators and a first and second IF. A dual-conversion superheterodyne has better image rejection than a single-conversion receiver.
16. Ensure proper selectivity in the receiver front end.
17. $f_1, f_2, f_1 + f_2, f_1 - f_2$.
18. Doubly balanced mixer.
19. Dual-gate MOSFET.
20. Amplitude modulation.
21. An image reject mixer uses two mixers and the concepts of the phasing method of SSB to cancel images but passing the desired signal.
22. Good frequency stability.
23. Frequency synthesizer.
24. To down-convert the VCO to a lower frequency within the range of the variable modulus dividers used to change the frequency.

25. Manufactured or industrial, extraterrestrial (solar, cosmic), and atmospheric noise.
26. A direct conversion or zero IF receiver is a superheterodyne where the local oscillator is set to the signal frequency so that the mixer produces a difference frequency equal to the baseband signal.
27. True.
28. Beat frequency oscillator (BFO).
29. Thermal noise, shot noise, $1/f$ or flicker noise, transit time noise, correlated noise (intermodulation modulation).
30. Lightning.
31. Automobile ignitions, fluorescent lights, motors, relays, and solenoids.
32. Thermal or Johnson noise.
33. Power decibels.
34. The noise increases with temperature.
35. It decreases the noise level.
36. Shot noise, flicker ($1/f$) noise, transit-time noise.
37. False.
38. *Signal, noise, and distortion.*
39. The input stage, usually an RF amplifier, contributes the most noise in terms of its relationship to the received signal level. The mixer is the noisiest circuit in the receiver.
40. An RF amplifier boosts signal level before it is applied to the usually noisy mixer but adds noise of its own. If a very-low-noise RF amplifier can be used, it is advantageous to boost signal level before the mixer. If the signal level is usually high, the RF amplifier may not be needed.
41. GASFETs or MESFETs.
42. Diode, double balanced, singly balanced.
43. Double-tuned coupled circuits, crystal, ceramic, or SAW filters.

44. AWGN is a standard random noise created for the purpose of testing receivers and comparing selectivity.
45. Limiter.
46. Limiting is allowed in FM receivers that have a demodulator that must have a fixed amplitude input signal for proper operation.
47. Variable gain amplifier (VGA).
48. 100 dB.
49. Automatic gain control (AGC).
50. The frequency of the local oscillator (LO) applied to a mixer is varied.
51. By changing the emitter current.
52. Squelch; muting.
53. The local oscillator frequency is equal to the received signal frequency.
54. CTCSS is a squelch system that is activated only by the receipt of a unique tone signal which provides channel privacy and security.
55. CW and SSB.
56. Fast analog-to-digital converters and digital signal processors.
57. Crystal, ceramic, and SAW filters.
58. In a single chip transceiver, the frequency of operation is usually changed by sending a unique binary code to the frequency synthesizer which operated both the transmitter and receiver. The unique code is usually derived from an internal embedded controller according to some frequency scheme associated with the wireless service involved.
59. Power supply.
60. Power supply, local oscillators or frequency synthesizer, IF or sideband filter.
61. Mixer.
62. Transmitter carrier, first local oscillator, second local oscillator.
63. The 10.7-MHz ceramic filter FIL 1.

64. As the voltage becomes more positive, the capacitance of the varactor D_1 decreases. Varactor D_1 is in series with capacitor C_{14} . This combination resonates with L_6 . As the capacitance of D_1 decreases, the total capacitance decreases and the resonant frequency increases.
65. MC 1350 IF IC.
66. Signal-derived.
67. No.
68. No.
69. It increases.
70. Pin 5 of U3-b.
71. 10.7 MHz. Input to the ceramic filter FIL 1.
72. U2.

Answers to Problems

1. 6 kHz.
2. 358.38 kHz.
3. 18.06 and 17.94 MHz.
4. 900.
5. 2.4.
6. 4.5 MHz.
7. 46 MHz.
8. First IF = 9 MHz; second IF = 400 kHz.
9. 27, 162, 189, 351 MHz.
10. 27 MHz is the most likely IF.
11. 390 MHz.
12. 3.6875 MHz, 12.5 kHz.

13. 3.44, 5.37 dB.
14. $1.43 \mu\text{V}$.
15. Microwave frequencies.
16. 232 K.
17. -126 dBm means the best selectivity.
18. -151 dBm.

Answers to Critical Thinking

1. Lower temperature produces less thermal noise.
2. First local oscillator = 515.6 MHz, second local oscillator = 45.5 MHz, transmitter carrier oscillator = 39.216667 MHz.
3. Connect a counter to pin 6 or 7 of the NE602 mixer, which is the local oscillator output. Subtract 10.7 MHz from the counter reading to get the received frequency.
4. 107.7 dB.
5. The IF is usually the difference between the local oscillator frequency and the received signal. In this case, it is zero. However, the signal has sidebands at $10.8 \text{ MHz} \pm 700 \text{ Hz}$, which will beat with the local oscillator to produce a 700-Hz output from the diode detector. This is called a *direct conversion receiver*. The IF is the original modulating signal. If the signal is voice, the IF amplifier is a selective audio amplifier.

CHAPTER 10

Answers to Questions

1. The telegraph.
2. Morse code.
3. You cannot distinguish between uppercase and lowercase letters with Morse code.
4. C = — · — ·
7 = — — · · ·
? = · · — — · ·
5. 8.
6. Serial and parallel.
7. ASCII.
8. To ring a bell, transmit the BEL code 0000111.
9. Parallel is faster for short data paths and serial is faster for longer data paths.

10. Start and stop bits.
11. Baud rate. A symbol is any change in the transmitted signal during a bit interval such as amplitude, frequency, or phase.
12. Each symbol can represent two or more bit combinations.
13. 2-bits per baud.
14. Synchronous transmission is faster because start and stop bits are not used on each transmitted byte; the total number of bits to be transmitted in a given time is thus less.
15. The message words are sent serially in a fixed format of a specific number of words in a block. A preamble precedes the block, and a postamble error code ends the transmission.
16. Space (0) and mark (1).
17. NRZ.
18. Two or more successive binary 0 or 1s.
19. Bipolar RZ and Manchester.
20. No average DC buildup on the transmission line.
21. Manchester, biphase.
22. High speeds are obtained by using a small modulation index and prefiltering the binary signal.
23. Number of coding levels and the transmission speed (baud).
24. True.
25. Higher bps data rate.
26. UART, scrambler, modulator, equalizer, line interface, adaptive receive equalizer, demodulator, descrambler, microcontroller.
27. Modems are needed to convert digital signals to analog signals and vice versa to make them compatible with the standard voice-grade telephone system. Modems are used with any computer that must communicate with another computer over long distances using the telephone system.

28. 53 kbps.
29. DMT (OFDM).
30. Transmission length.
31. A scrambler ensures that long strings of binary 0s or 1s are broken up into replacement codes with few successive 0 or 1 bits.
32. DOCSIS is Data Over Cable Service Interface Specification, the cable TV industry standards for transmission of TV and data.
33. 6 MHz.
34. Upload QPSK, 10 Mbps; downloads 64-QAM, 30 Mbps.
35. Balanced modulator.
36. Balanced modulator.
37. A carrier recovery circuit, usually a phase-locked loop.
38. Differential BPSK.
39. XNOR gate and a 1-bit delay (flip-flop).
40. Four.
41. Two.
42. Four.
43. Yes.
44. Yes.
45. Shift register.
46. A two- to four-level converter or D/A converter.
47. AM and PSK.
48. 8 VSB.
49. Trellis code modulation is a form of QAM, used at data rates of 9600 bps or above, that incorporates a coding scheme that makes error detection and correction faster and easier. It is used because at faster data rates over the telephone system the bit error rate is much higher than at rates less than 9600 bps.
50. 256 QAM is 8 bits per baud.
51. 64 QAM.
52. The highest level modulation in DOCSIS 3.1 is 4096 QAM.

53. The process of modifying an intelligence signal in such a way that its spectrum is spread over a wide frequency range rather than being confined to a narrow single-channel bandwidth.
54. Frequency-hopping and direct-sequence SS. page-B13
55. A frequency synthesizer.
56. A pseudorandom sequence generator.
57. False.
58. Random background noise.
59. The identifying characteristic of a spread spectrum signal is the unique pseudorandom code being used.
60. Dwell time.
61. A shift register with XOR feedback or a specially programmed microcomputer.
62. The PSN signal is a unique binary code sequence used for each station operating over a shared spectrum. It allows one station to be distinguished from another.
63. XOR.
64. True.
65. BPSK.
66. Synchronizing the receiver to the desired signal.
67. Correlation.
68. Data security and resistance to jamming or interference from other signals.
69. Digital signal processing techniques.
70. Cellular telephone, Wi-Fi, LAN, digital TV, WiMAX MAN.
71. Bluetooth and 802.15.4 wireless technologies.
72. Voice signals are converted to serial digital data before they are sent to the SS equipment.
73. Code division multiple access (CDMA).
74. Redundancy, special codes, encoding methods, parity, block-check character, cyclical redundancy check.
75. Repeat the transmission until it is correctly received.
76. Noise and/or weak signal.
77. Bit error rate (BER).

78. RZ-AMI.
79. Parity bit.
80. Block-check code, or BCC. The corresponding bits in each word are added without carry to form the block-check character.
81. Vertical redundancy check.
82. XOR gate.
83. Longitudinal redundancy check.
84. A block of data is treated as if it were one very large binary number. It is divided by a smaller binary number called the *generating function*. The resulting quotient is abandoned, and the remainder is retained. The remainder is the CRC.
85. A shift register with feedback through XOR gates.
86. True.
87. A CRC is generated at the receiver using the received data block. It is then compared to the received CRC. If the two match, the data is correct.
88. Reed Solomon.
89. The sum is zero (0000), indicating no errors in a bit position.
90. Trellis, Viterbi, turbo (recursive) codes.
91. Protocol.
92. Handshaking.
93. XON and XOFF.
94. Use forward error-correction techniques and a modulation scheme more resistant to noise.
95. The last field in a protocol frame is usually a block check sequence or CRC for error detection.
96. Block.
97. They begin with a series of synchronizing bits or words in order to set up the receiver's clock recovery circuits prior to receiving the data.
98. Bisync, SDLC, HDLC.
99. A CRC word.

100. Interoperability refers to the ability of one type of equipment to operate compatibly and communicate with the equipment of another manufacturer.
101. Use protocols based on the OSI layers.

Answers to Problems

1. EBCDIC.
2. 14,285.71 bps = 14.3 kbps.
3. 69.44 μ s.
4. 2,500,000.
5. 60 kbps.
6. 179.89 kbps.
7. 278.95 Mbps.
8. 175 Hz.
9. 8×10^{-6} .
10. a. 0; b. 1; c. 0; d. 0.
11. Hamming code bits = 0010; complete code = 011001101010.
12. 1.818.

Answers to Critical Thinking

1. A temperature sensor such as a thermistor or resistive temperature device (RTD) monitors the temperature. The resulting analog signal developed by this sensor is amplified and sent to an A/D converter. This signal is serialized and packaged into a protocol packet by a microprocessor. It is then sent to modulate a low-power radio transmitter with antenna.

The receiving antenna picks up the signal and recovers the original digital signal, which is then put back into parallel form and sent to an interface on the computer. A program in the computer reads the data from the interface and stores it in memory. The program takes the data word and processes it so that it

is displayed as the correct temperature on the video screen of the computer.

2. Any data transmission application in a noisy and nonsecure environment.
3. Remote controls for TV sets, garage doors, and car doors, radio-controlled drones, airplanes, or cars.
4. ADSL and OFDM have to use DSP because it eliminates an enormous number of complex circuits.
5. Spread spectrum and OFDM are spectrally efficient because they disperse the very high data rate signals over a broad spectrum that is typically less spectrum than other methods use for the same data rate.

CHAPTER 11

page-B14

Answers to Questions

1. No; it is the process of transmitting multiple signals over a single channel.
2. Economics.
3. Demultiplexer.
4. Signals to be multiplexed are used to modulate subcarriers of different frequency. All are mixed together and transmitted in a common channel bandwidth.
5. Linear mixer or analog summer.
6. Linear mixer.
7. FM.
8. Missile and aircraft testing, space exploration, industrial monitoring and control.
9. Spatial multiplexing allows multiple signals to use the same frequency but prevents interference between them by using low power and directional antennas.
10. $L + R$.

11. $L + R$, or monaural signal; $L - R$; 19 kHz pilot carrier; and SCA.
12. AM, DSB.
13. FM.
14. A bandpass filter centered on the subcarrier frequency.
15. The signals are sampled sequentially, and the samples transmitted by interleaving them over time.
16. Pulse-amplitude modulation (PAM).
17. Clock recovery circuits.
18. Synchronizing signals and clock recovery circuits ensure that the receiver stays in step with the transmitted signals.
19. Frame.
20. Low-pass filter.
21. MOSFET.
22. A binary code representing the desired channel is contained in a counter or register which is decoded. The decoder output enables the specific MOSFET.
23. A PAM signal is transmitted by having the pulses amplitude modulate a carrier which is then amplified by a linear power amplifier. Alternately, the PAM may be converted to PCM for transmission by some frequency or phase modulation scheme.
24. Phase-locked loop.
25. By converting the analog signals to digital with an A/D converter.
26. Codec.
27. 8 kHz.
28. 8 bits.
29. Better noise immunity and more easily reconstructed binary signals distorted by the transmission process.
30. 193.
31. Baseband techniques are used to transmit T-1 signals; that is, the digital data is placed on the medium (twisted-pair cable, coax, fiber-optic cable, or audio

- link), as opposed to the signal being used to modulate a carrier.
32. Half-duplexing means two way transmission where one party transmits and the other listens. Full-duplex means that both parties may transmit and receive at the same time.
 33. Frequency division duplexing divides a segment of spectrum into channels some of which are assigned for transmission at one end and reception at the other end and vice versa. Time division duplexing defines different time slots in transmissions that are for transmission or reception.
 34. FDD requires much more spectrum where as TDD can use only a single channel. TDD is more complex because of the timing and synchronization requirements of the method.
 35. TDMA.
 36. FDMA.
 37. Multiple cell sites can use the same frequencies if they are separated far enough apart to avoid interfering with one another. Low power and directional antennas aid in the process.
 38. Highly directional antennas.
 39. The data signal is XORed with a higher frequency chipping signal before modulation.
 40. Not easily because of the complexity.

Answers to Problems

1. 66.
2. 28 kHz.
3. Bit rate 1.544 MHz, 24 channels (T1).
Bit rate 44.736 MHz, 672 channels (T3).

Answers to Critical Thinking

1. $2.78 \mu s$.
2. 384, 2.048 MHz.
3. Yes. Separate binary data sources may modulate subcarriers on different frequencies. The subcarriers are summed, and the resulting composite transmitted as an FDM signal.

CHAPTER 12

Answers to Questions

1. Morse code with dots and dashes where the carrier is turned off and on.
2. A digital radio uses standard analog and digital parts whereas an SDR uses a processor or FPGA that has been programmed with software to replace some functions.
3. The main benefit of the SDR is that its characteristics can be changed quickly by reprogramming to another frequency, modulation, or protocol, or other feature.
4. Superheterodyne, direct conversion, and direct sampling.
5. Fast analog-to-digital converters and fast processors.
6. The IF is the local oscillator frequency that is the same as the incoming signal frequency.
7. Filtering, modulation and demodulation, mixing, equalization, and compression.
8. A digital radio front end is also called a radio frequency front end (RFFE) and is made up of standard analog circuits such as amplifiers, mixers, and filters.
9. Duplexer, diplexer, and transmit-receive switch.
10. High-speed ADCs and microcomputers.

11. Standard microcomputers, FPGAs, ASIC, and hard-wired logic.
12. A direct conversion radio translated the RF input signal directly down to the signal modulating the carrier.
13. Radio frequency front end (RFFE) made up of LNAs, mixers, filters, and switches.
14. I and Q signals are needed to modulate and demodulate frequency and phase forms of modulation.
15. It must execute its software between sampling intervals of the input ADCs.
16. The sampling rate of the ADCs and the speed of the digital processing circuits restrict the upper operating frequency.
17. Tuning an SDR is accomplished with a PLL or DDS synthesizer as a local oscillator.
18. The modern smartphone is probably the most common SDR.
19. The main benefit of the SDR is its programmability. It is also typically smaller than an SDR using standard circuits.
20. Direct sampling.
21. I and Q signals permit signals with phase or frequency variations to be processed.
22. Amplification.
23. A frequency domain display like a spectrum analyzer and a waterfall display.
24. The ATSC 2.0 modulation was 8VSB. ATSC 3.0 uses OFDM.
25. The digital audio and video are serialized into packets. The speed of these packets is so high that a viewer or listener cannot discern any delay or effects of sequential processing.
26. FPGA or ASIC.
27. Using digital filtering techniques.
28. 6 MHz.

29. A cognitive radio is aware of its environment and can modify its function to adapt to any necessary communications.

Answers to Problems

1. Assuming a mixer processes the signals to the lower frequency of 1900–1750 MHz, the absolute minimum sampling rate would be 300 Mbps.
2. LO = 72 MHz and the IF is the demodulated base band signal.
3. 19.3 Mbps.

Answers to Critical Thinking

1. Yes, a shortwave receiver can be an SDR. There is no standard.
2. A duplexer keeps the transmit and receive signals separate with low- and high-pass filters. A diplexer uses a circulator that couples energy around a fixed loop with ports spaced in wavelengths to keep input and output signal separated.
3. A direct sampling SDR requires some input selectivity that must, in most cases, be implemented with standard LC filters and tuned circuits. These are difficult to tune since L and C values must be varied. The ADC must be sufficiently fast to capture the highest input frequency.
4. DAB is Digital Audio Broadcasting that is a radio standard used in most European countries typically in the VHF bands. DRM is Digital Radio Mondiale, an international shortwave broadcasting standard using a form of OFDM.

CHAPTER 13

Answers to Questions

1. Coaxial cable and twisted pair line. Coaxial cable is more widely used.
2. Unbalanced.
3. Twin lead.
4. Wavelength.
5. PL-259, SO-239.
6. BNC.
7. N-type connector.
8. F connector.
9. LC low-pass filter.
10. The amount of distributed inductance and capacitance per foot; $Z_0 = \sqrt{L/C}$.
11. Surge impedance.
12. Velocity factor is the ratio of the speed of a signal in a transmission line to the speed of light (radio waves) in free space. Since the speed of a signal in a transmission line is less than that in free space, the electrical wavelength of a transmission line is less than a wavelength or fraction thereof in free space.
13. The cutoff frequency decreases with length.
14. Constant value of voltage and current.
15. All the power transmitted down the line from the generator is not absorbed by the load; therefore, some of the unabsorbed power is reflected back up the line toward the generator.
16. The transmitted power at the antenna is less than that applied to the transmission line by the transmitter because of cable attenuation as well as the loss of power due to reflection of power.
17. Open and shorted at the end.
18. Reflection coefficient (Γ).
19. Resonant line.
20. Length does not affect SWR.
21. Use an open quarter-wave or shorted half-wave line

- 22. They act as an inductive or capacitive reactance.
- 23. One wavelength.

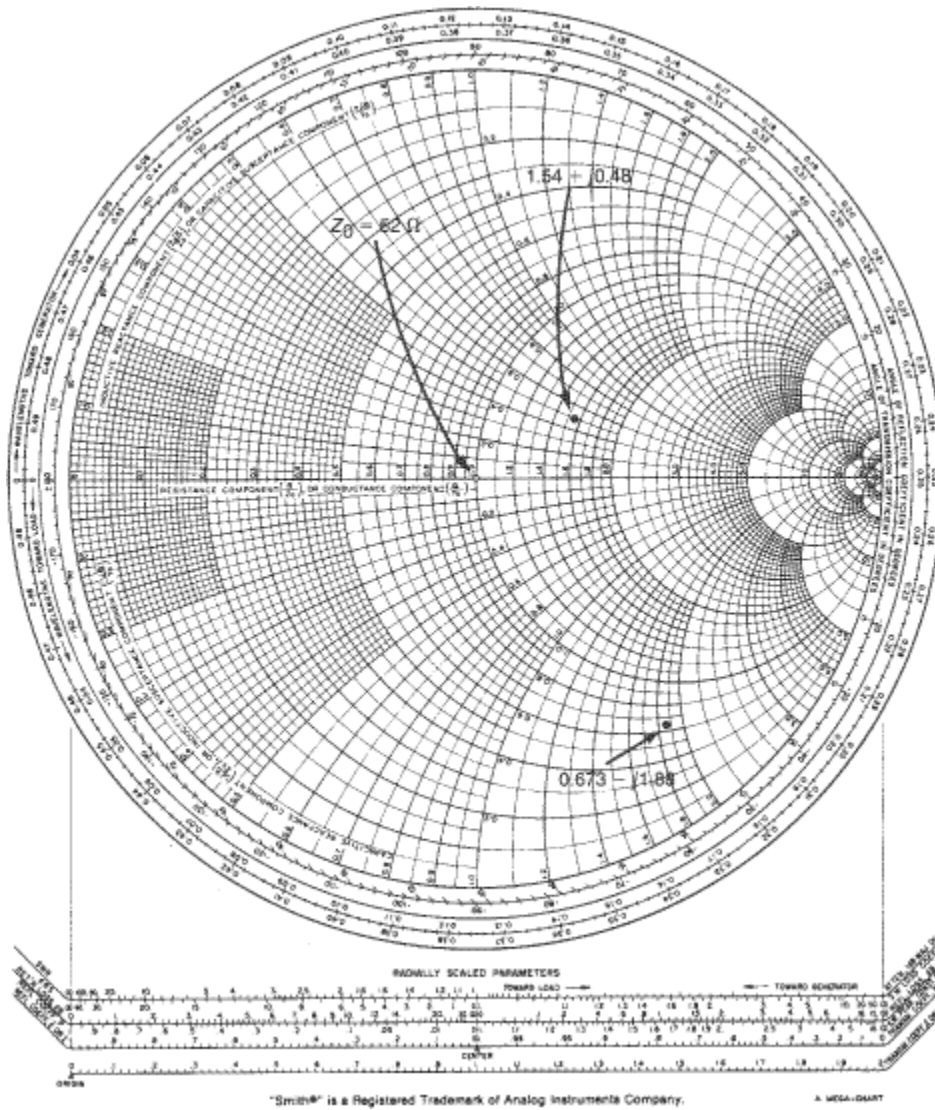


FIGURE 7

Answers to Problems

1. 0.857 m.
2. 1687 MHz or 1.687 GHz.
3. 51 Ω .
4. 47.5 Ω .
5. VF = 0.6324.

6. $\epsilon = 2.04$.
7. 4.02 ft.
8. 99.43 ns.
9. 1.325 ns.
10. 93.46° .
11. 8.75 dB.
12. 13.5 dB.
13. 2.35 W.
14. 52 Ω .
15. 1.444.
16. SWR = 1.
17. SWR = 2.125, $\Gamma = 0.36$.
18. SWR = 7.
19. Open or shorted. SWR = ∞ , $\Gamma = 1$.
20. 3 W.
21. SWR = 1.53
22. Open or shorted.
23. 984 MHz.
24. 2.515 ft.
25. 38.47 Ω .
26. 1.52 in.
27. See Fig. 7.
28. See Fig. 8. $Z = 1.387 - j.773$. SWR = 2.1
29. $Z = 42.74 - j22.5$.
30. A single point at the center of the chart.

Answers to Critical Thinking

1. An open quarter wave or shorted half-wavelength line acts like a series tuned or resonant LC circuit. A short quarter-wave or open half-wave line acts like a parallel resonant LC circuit.
2. Upper UHF and microwave.
3. Microstrip is a copper line on the insulating surface of a dielectric backed up by a ground plane on the other side of the insulating surface. Stripline is a copper

conductor inside an insulating dielectric sandwiched between two ground planes on opposite sides of the dielectric. Stripline is preferred because it does not radiate, but it is harder to make.

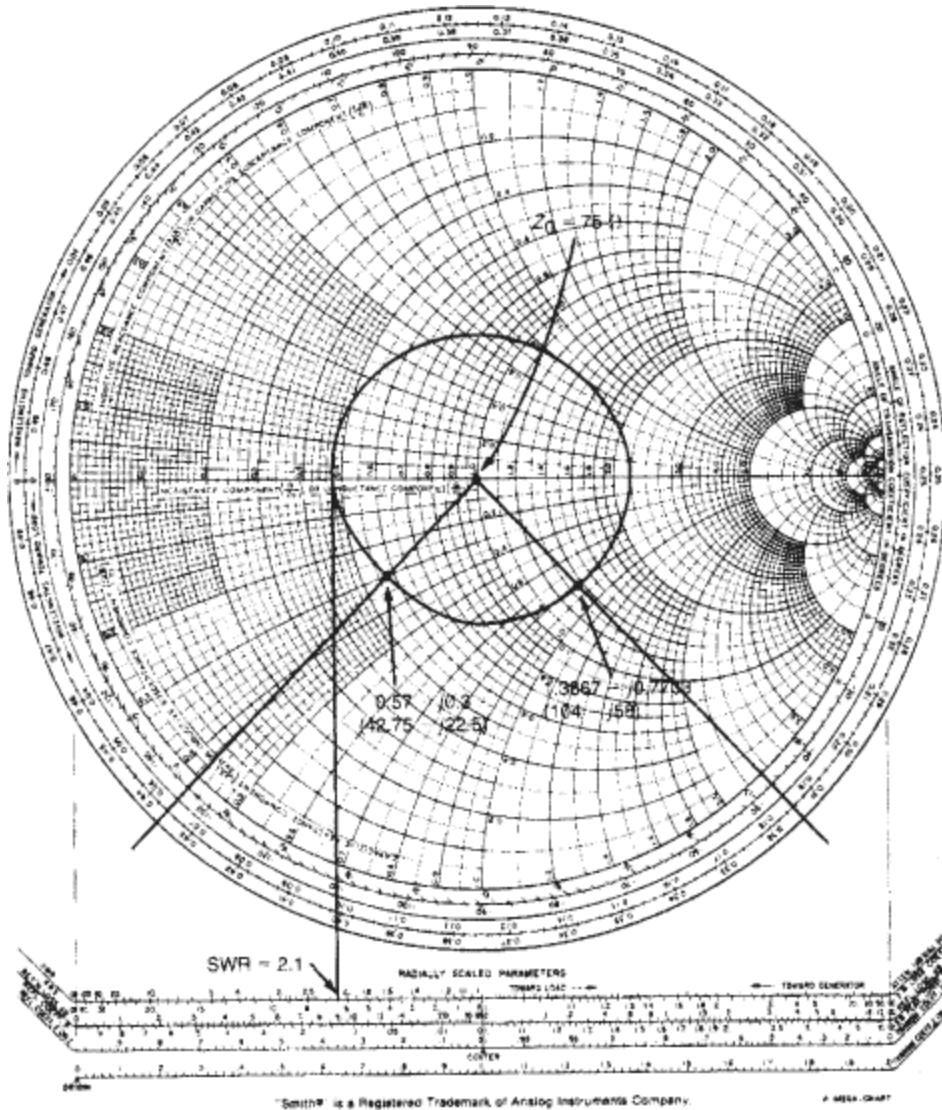


FIGURE 8

4. $Z = 2.6 + j1.1 = 130 + j55$; $SWR = 3$.
5. Refer to text Fig. 13-14. Two hundred feet of RG-58A/U coaxial cable has a -3-dB cutoff frequency of approximately 8 MHz. Therefore, a 10-MHz square wave, which is made up of a 10-MHz fundamental sine

wave and all odd harmonics, will be attenuated and distorted. The third, fifth, seventh, and higher harmonics will be greatly attenuated. The output of the coaxial cable will be a nearly sinusoidal signal at 10 MHz. Some of the harmonic energy will still be present but in lower levels, so that the output wave will bear some resemblance to a square wave but will be highly filtered until it is almost a sine wave.

6. A shorted half wavelength of transmission line acts like a series resonant circuit. Connecting this transmission line across the receiver front end will cause it to short out the interfering frequency of 102.3 MHz. One half wave at 102.3 MHz is $492/102.3 = 4.8 \text{ ft} \times \text{velocity factor of } 0.66 = 3.17 \text{ ft}$.

CHAPTER 14

Answers to Questions

1. To permit individual PCs to communicate, share peripherals, and exchange software.
2. The MAN is smaller.
3. A cable TV network or a large company.
4. About 1000 users per LAN.
5. Node.
6. Star, ring, bus.
7. Ring and bus.
8. Server.
9. The telephone system is a WAN. The fiber optic backbones of the Internet are WANs.
10. Fiber optic cable.
11. E-mail.
12. A SAN is a storage area network, a system made up of a redundant array of independent disks

(RAID) or just a bunch of disks (JBOD) forming a storage facility for company or organization that can be accessed by servers and users via a high speed network.

13. Wireless is the normal medium used in a PAN.
14. The main advantage of a mesh network is its reliability because if one node in the network is disabled or out of range an alternate path can be formed or taken to ensure communications.
15. Coaxial cable is self-shielding and thus less subject to noise pickup.
16. Unshielded twisted pair (UTP) and shielded twisted pair (STP).
17. AWG 22, 24, 26.
18. RJ-45.
19. Network interface card.
20. A transceiver or repeater.
21. Bridge.
22. An Ethernet switch connects or disconnects individual PCs or segments of a LAN together as needed. If a PC or segment of LAN is not addressed, it is disconnected. This reduces the load on the bus and collisions, thereby greatly improving transmission speed.
23. A router is a network device that connects two or more networks and controls and optimizes the transmission of data between them by being able to make decisions and implement fast switching.
24. PoE means power over Ethernet. This is a variation of the Ethernet standard that permits DC power to be distributed over the twisted pair cable that carries the high speed data. It makes remote access points for wireless LANs to be connected to a LAN without access to AC power in remote locations.
25. 10 Mbps, 100 Mbps, 1 Gbps, 10 Gbps, 40 Gbps, 100 Gbps.
26. Bus. Star in the newer systems.

27. Manchester. It is used because clock recovery is easy.
28. Twisted pair and fiber optic cable.
29. Carrier sense multiple access with collision detection (CSMA/CD).
30. Ethernet nodes compete (contend) for the bus. If one node transmits, no others can transmit until the first transmission is complete. If two stations try to transmit at the same time, a collision occurs and both stations stop sending. They wait a random time and start transmitting again. The one waiting the shorter time captures the bus first.
31. 1500 bytes.
32. 100 MHz.
33. Layers 1 and 2.
34. 1 Gigabit Ethernet over copper cable is achieved by encoding the data bits into 2-bits per baud and transmitting over four parallel twisted pairs in a CAT5 cable at 250 Mbps each for a total of 1 Gbps.
35. Maximum range fiber optic cable 1 Gbps: 10km 10 Gbps: 40 km distance depends on the wavelength of the laser transmitters, shorter wavelengths (850 and 1310 nm) for the shorter distances and longer wavelength (1550 nm) for the longer distances.
36. Backbones connecting large LANs or small metro area networks.
37. 8B/10B. Makes clock recovery easier and permits implementation of error detection and correction.
38. Passive optical networks (PON).
39. Single mode fiber (SMF) and multi-mode fiber (MMF).
40. Unshielded twisted pair (UTP).
41. The MAC address is a 48-bit address assigned to Ethernet interfaces to be used in Layer 2 of the OSI model communications protocol.
42. A back plane is a printed circuit board that interconnects connectors into which other boards are plugged. A router is an example.

43. Four parallel lanes of 10 Gbps paths are combined to produce 40 Gbps. Ten 10 Gbps lanes are combined to produce a 100 Gbps path.
44. The line rate of a high speed path is different from the actual raw data rate because of the extra overhead bits of forward error correction codes added for reliability.
45. True.
46. Carrier Ethernet software.
47. Layers 6 and 7.
48. Application, Presentation, Session, Transport, Network, Data link, Physical.
49. Layers 1 to 3 or 1 to 4.
50. Layers 1 and 2.
51. Industrial Ethernet was created to deal with the harsh environmental conditions, the need for determination, and the ability a connect to field buses.
52. The 2.5Ghz and 5GHz versions were developed to handle the higher wireless Wi-Fi data rates and to accommodate the older bandwidth limited CAT5e wiring that dominates many facilities.
53. Automotive Ethernet uses only a single shielded twisted-pair cable making it lighter and smaller for auto applications but still fast enough for most operations.

Answers to Problems

1. 100 Mbps; $t = 1/100 \times 10^6 = 0.01 \times 10^{-6} = 0.01 \mu s = 10 \text{ ns}$.
2. 10 Gbps is common but some newer installations can achieve rates of 100 Gbps and 400 Gbps.
3. 12.5 Gbps.
4. 9898 nanoseconds, or 9,808 microseconds.
5. 100 Mbps or 1 Gbps

Answers to Critical Thinking

1. Factory automation, in which multiple computers controlling robots, machine tools, computer vision systems, and other equipment are usually networked.
2. Number of nodes on the network, the amount of traffic or activity on the LAN, and the access method used.
3. The 8B/10B encoding converts each byte to 10-bit words. It takes longer to transmit the two extra bits and that slows the over transmission.
4. Yes, a single fiber can support 40 Gbps or 100 Gbps over shorter distances using NRZ or over longer distances using multiplexing or modulation methods.
5. Shorter cables, special cables, and special connectors as well as four parallel twisted-pair in the cables.

CHAPTER 15

page-B19

Answers to Questions

1. No, but it could be under some conditions. It depends on the protocol, standard, distance, and other factors.
2. On a single channel or cable is needed.
3. Synchronous transfers are controlled by a clock signal and occur during specific times. An asynchronous transfer may occur at any time and typically includes start and stop pulses to activate and control the random occurrences of data.
4. RS-232 and RS-485.
5. Universal asynchronous receiver transmitter (UART).
6. Maximum range is typically 4000 feet, and the related maximum data rate is less than 100 kbps.
7. Controller area network (CAN).
8. I²C and SPI.
9. Asynchronous data transfers can occur randomly at any time and have start and stop pulses to determine transmission and reception. Synchronous data transfers

usually package data into a long frame or packet and the transfer is made under the control of a clock signal that may be derived from the packet data.

10. Balanced or differential buses cancel a considerable amount of noise thereby improving reliability.
11. A hub is a central connection device with multiple connection points for multiple nodes.
12. Transceiver.
13. A UART adds or deletes start and stop bits, implements serial-to-parallel and parallel-to-serial data conversions, checks parity, and selects a clock rate.
14. 115.2 kbps.
15. Universal serial bus (USB).
16. SPI is used to interconnect two or more high-speed ICs such as displays, data converter, memories, and others on a printed circuit board.

Answers to Problems

1. 30.003 kbps.
2. 2.0833 ns.
3. False.
4. Unshielded twisted pair, coax cable, fiber-optic cable, printed circuit board paths.

Answers to Critical Thinking

1. Data may have to be converted to a parallel format in some applications.
2. The type of transmission cable and its characteristics.
3. The type of transmission cable and its characteristics also affect the data rate.
4. Broadband serial data is used to modulate a carrier that is transmitted over the medium.

Answers to Questions

1. A radio wave is the combination of electric and magnetic fields varying at the signal frequency.
2. Maxwell's equations state the relationship and interaction of the electric and magnetic fields that are radiated from an antenna. These equations state that an electric field varying over time sets up a magnetic field which, in turn, sets up an electric field, both of which are propagated in space without energy loss.
3. The electric and magnetic fields set up by the antenna are at right angles to one another, and both are at a right angle to the direction of propagation.
4. The orientation of the electric field determines the polarization—vertical, horizontal, or circular.
5. Vertical.
6. Antenna reciprocity means that an antenna will receive as well as transmit at the operating frequency.
7. Hertz or dipole. One-half wavelength.
8. A transmission line connects the antenna to the receiver or transmitter. The most common transmission line is coaxial cable.
9. One-half wavelength = $492/f_{MHz}$.
10. 73Ω .
11. Height of the antenna above ground and length.
12. At resonance, resistive (73Ω); above resonance, inductive; below resonance, capacitive.
13. Antenna bandwidth is a function of antenna conductor size; the larger the conductor the lower the Q and the wider the bandwidth.
14. See Fig. 14-15 in the text. Donut-shaped.
15. Directivity refers to how an antenna “shapes” electromagnetic waves so that they are emitted (or received) in a specific direction in relation to the antenna conductors.

16. Signal strength in relative power or decibels over a given azimuth.
17. Antenna gain is the apparent signal strength increase over an isotropic antenna or dipole caused by the directivity of the antenna that comes from concentrating or focusing the signal into narrow beams.
18. An isotropic radiator is an imaginary point source of electromagnetic energy that radiates equally in all directions.
19. 1.64 power gain or 2.15 dB.
20. Antenna gain is expressed as a power ratio or in decibels referenced to an isotropic source or a dipole.
21. Effective radiated power. This is the apparent power radiated by a directional antenna which is a product of the power applied to the antenna and the antenna gain.
22. A folded dipole is a continuous-loop conductor formed into a half-wavelength center-fed dipole. It has a 300- Ω characteristic impedance that makes it a good match to 300- Ω twin-lead cable and broader bandwidth.
23. Marconi and ground plane.
24. A circle.
25. Omnidirectional.
26. Radials.
27. A counterpoise array of conductors.
28. 50- Ω coaxial cable.
29. Bidirectional.
30. An antenna that transmits essentially in one direction or over a narrow range of azimuth.
31. A directional antenna amplifies because it focuses the radiated energy into a narrow beam or beams.
32. A directional antenna with gain usually consists of at least two separate conductors that together help direct or focus the radiation. Antennas longer than one-half wavelength also exhibit gain and directivity.

33. Driven and parasitic.
34. Driven element, reflector, and director.
35. Reflector and director.
36. Theoretically there is no upper limit, but the number is usually limited by the size of the antenna at the operating frequency and any resulting physical restrictions. The desired beamwidth, gain, and front-to-back ratio are also factors.
37. 20 to 40°.
38. Number of directors and their spacing.
39. The front-to-back ratio is the ratio of the power of the signal sent forward in the main directivity pattern of the antenna to the power delivered to the opposite (180°) end of the antenna.
40. True.
41. Horizontal.
42. Gain and directivity are increased by adding more director elements.
43. The radiation pattern will resemble an elongated "figure 8."
44. Yes, depending on the number of half-wave sections used.
45. Log periodic.
46. Very wide bandwidth.
47. 50 Ω.
48. To achieve low SWR and maximum power transfer to the antenna.
49. Toroid balun.
50. Q section.
51. 4:1 or 1:4.
52. An antenna tuner consists of one or more variable capacitors and inductors that may be connected in a variety of configurations to match transmitter to the load, reduce SWR, and increase transmitted power.
53. Tune for low SWR and maximum output power.

54. Radio signals are reflected by any conductive surface. The better the conductor, the greater the amount of reflection and the lesser the amount of signal absorbed by the reflecting surface.
55. Theoretically no, but in the real world vertically polarized waves will induce a small signal into a horizontal antenna.
56. Circular polarization is the orientation of a radio wave so that its electric and magnetic fields continuously rotate in a circle. Clockwise rotation is called right-hand circular polarization (RHCP), and counterclockwise rotation is called left-hand circular polarization (LHCP).
57. Yes, but reception will not be optimum.
58. Refraction is the bending of radio waves caused by the waves passing from the atmosphere into differently charged layers of the ionosphere.
59. Diffraction is the bending of light or radio waves around the edges of objects blocking the waves. Diffraction is beneficial in that it permits communications when obstacles might prevent propagation.
60. Ground, sky, and space waves.
61. Ground wave or surface wave. The waves must be vertically polarized.
62. 30 kHz to 3 MHz.
63. Sky wave.
64. 3 to 30 MHz.
65. The ionosphere is an area 30 to 250 mi above the earth which has been highly ionized by the sun, making it a form of conducting medium that affects radio waves.
66. The F layers.
67. False. It reflects or bends them in such a way that it looks as if the waves have been reflected.
68. Multiple-skip transmission; the wave refracted back to the earth is reflected by the earth back to the

- ionosphere and again refracted back to the earth for another reflection, and so on.
69. The angle of entry into the ionosphere and the frequency of the wave.
 70. A space or direct wave.
 71. VHF, UHF, and microwave, or approximately 30 MHz and above.
 72. Increase the height of the transmitting and/or receiving antenna.
 73. Use a repeater or a chain of retransmitting repeaters.
 74. A repeater is usually located at a high point to permit maximum receiving and transmitting distances. It consists of a receiver that picks up signals on one frequency, demodulates them, and remodulates a high-power transmitter on another frequency for retransmission.
 75. Multipath signal reflections.
 76. Rayleigh fading.
 77. It requires multiple sets of transceivers and multiple frequencies.
 78. Spatial diversity uses two or more antennas spaced as far apart as practical so that each receives a slightly different version of the signal. The best signal is selected or the signals are combined.
 79. Wideband signals.

Answers to Problems

1. 0.1 wavelength, 20Ω ; 0.3 wavelength, 90Ω (see text Fig. 14-12).
2. $468/16 = 29.25$ ft.
3. $468/27 = 17.333$ MHz; bandwidth = 520 kHz to 1.04 MHz.
4. Horizontal.
5. 50 or 75- Ω coaxial cable.
6. 12.56 W.

7. 1.822 ft.
8. $0.2 \text{ ft} = 6.24 \text{ in.}$
9. 1.65 ft.
10. One-half wavelength = 1.734 ft.
11. 24 in.
12. 14.14 mi.
13. 23.5 mi.
14. 179.4 dB.
15. 8.15 dB.
16. 9.09 ft.

Answers to Critical Thinking

1. The antenna made with tubing has a wider bandwidth.
2. Antenna length = $400 \tan 30^\circ = 231 \text{ ft}$; $f = 234/231 = 1.01 \text{ MHz}$.
3. The center conductor attaches at the base of the vertical antenna element; the shield braid is connected to a good earth ground, radials, or a counterpoise array of conductors.
4. The quarter-wave vertical and dipole perform in exactly the same way. Polarization is different, but gain is the same.
5. The impedance is 36.5Ω . The angle or “droop” of the radials affects the impedance, as does the height of the antenna above ground.
6. Add an inductive loading coil at the base or in the center of the vertical radiator.
7. Add a capacitor in series with the antenna, or add a capacitive top hat.
8. 20° at the -3-dB down points. Front-to-back ratio = $0 \text{ dB} - 24 \text{ dB} = 24 \text{ dB}$; $x = 2 \log (203/\text{dB}) = 2.013$; gain = $10x = 20.13 \text{ dB}$.
9. 0.637 nW , $178.4 \mu\text{V}$.
10. 188.2 mi.
11. Wavelength = $984/f = 984/902 = 1.09 \text{ m}$;

$5/8$ wavelength = 0.625 wavelength = 0.682 m or
 26.84 in.

12. Since the transmitter cannot be accessed or changed in any way, some improvements can be made at the receiver: Add a low-noise RF amplifier to the receiver front end, add a directional gain antenna pointed at the transmitter, increase antenna height, and/or add bandpass filtering that might improve the signal-to-noise ratio.

CHAPTER 17

Answers to Questions

1. Email, file transfer, accessing websites, searches, e-commerce, IPTV, and VoIP.
2. The domain is an Internet service provider (.net) and the host is qxrj.
3. The @ symbol designates an email address.
4. Dial up modem via the phone line, a DSL modem via the phone line or a cable modem via a cable TV system.
5. Internet service provider (ISP).
6. A browser.
7. Optical transport network (OTN).
8. The cloud concept means storing your files and/or software remotely and accessing it by the Internet.
9. A huge fiber-optic network.
10. Software.
11. Subscribing to software rather than buying it.
12. Simulating other computers and servers on another server.
13. A virtual machine (VM) is a computer simulated in software on another computer.
14. Hypervisor.

15. Less equipment and operating costs.
16. The fastest OTN rate is 112 Gbps line rate and 100 Gbps data rate.
17. Maximum OTN payload is 15,232 octets.
18. The OTN FEC is Reed-Solomon (255, 239).
19. IP destination address.
20. The router stores information about connected routers and networks in routing tables.
21. Line cards.
22. Switch matrix.
23. The net data rate is lower than the line rate because of the added FEC overhead.
24. SERDES.
25. Internet backbone.
26. Fiber optic systems like ATM and Sonet using TCP/IP.
27. In packet switching systems, each packet is handled by a router and can be transmitted over one of usually several paths depending upon the traffic being handled. Packets are transmitted from router to router until the destination is reached.
28. Router.
29. Transmission control protocol (TCP).
30. Internet protocol (IP).
31. TCP.
32. TCP is not use during packet transmission that is handled by the Internet protocol.
33. 2.5 and 10 Gbps.
34. Dotted decimal.
35. 5 classes, A through E.
36. Workstations (PCs), routers, and switches.
37. Class C, network ID is 133.46, host ID is 182.9.
38. A mask is a sequence of bits used by a router to determine if a packet is destined to that router.
39. Logical AND.
40. A subnet is a smaller segment of a larger network defined to more efficiently route packets in very large

networks.

41. Redundant array of independent disks (RAID) and just a bunch of disks (JBOD).
42. Direct attached storage (DAS).
43. Small computer systems interface (SCSI), skuzzy.
44. Network attached storage (NAS) and storage area networks (SAN). NAS disk drives are connected to the computers via Ethernet and are given an IP address. SAN is a complete separate network that connects to servers and PCs via interface cards.
45. Fibre Channel (FC).
46. Fiber optical cable.
47. 1, 2, 4, and 10 Gbps.
48. Host bus adapter (HBA).
49. Switch fabric.
50. Internet SCSI (iSCSI).
51. iSCSI is low in cost because it uses standard inexpensive and readily available Ethernet interface cards. iSCSI is more vulnerable to hacking, virus, and other security problems.
52. Ethernet and twisted pair cable.
53. Viruses, spam, spyware, and denial-of-service (DoS) attacks.
54. Worms replicate themselves.
55. False.
56. Spyware monitors a user's application of the page-B22 Internet and then sends relevant ads and other information.
57. Special security software is available to minimize viruses, spam, spyware, and DoS attacks.
58. Secret key encryption (SKE) and public key encryption (PKE).
59. Input is plaintext and output is ciphertext.
60. A key is a long unique binary bit pattern used in encryption and decryption.

61. With SKE, sharing or distributing the key is difficult and prone to detection.
62. PKE uses two keys one public and the other private. The public key is readily shared and distributed and is usually sent by the receiving party to the transmitting party. The private key is kept secret. Both are used in encryption and decryption.
63. SKE: DES, 3DES, AES and RC4.
64. PKE: Diffie-Hellman and elliptic curve cryptosystem (ECC).
65. Use of very long keys.
66. Hash functions detect if a message has been changed in any way during transmission. MD-5, SHA-1/SHA-2.
67. A digital signature is a form of authentication that proves who you say you are.
68. Secure socket layer (SSL).
69. A firewall is a piece of software used on a network to screen all incoming data to ensure it conforms to what the network is allowed to admit.
70. A virtual private network (VPN) is a software technique that is used to create a private secure connection between computers or networks over an unsecured link such as the Internet.
71. IPsec and SSL.
72. True.
73. Codec.
74. G.711.
75. G.723, G.729a.
76. To reduce the data rate.
77. Digital signal processing.
78. H.323, SIP.
79. The long delays caused by the latency created by all of the processing.

Answers to Problems

1. $8.48 \mu\text{S}$
2. 32-bits
3. 11011110.10011011.00001000.00010001, DE9B0811.
4. Zero in all cases.
5. 32 hex digits, 16 octets, 128 bits.

Answers to Critical Thinking

1. Local area networks, metro networks, and even WANs.
2. SKE: one, PKE: two.
3. Yes. The RAID connected to an SAN can be accessed via a server connected to the Internet.
4. Highly directive antennas, limited RF power to restrict range, rules to restrict the transmission of highly sensitive information.

CHAPTER 18

Answers to Questions

1. 1 GHz to 300 GHz.
2. Greater spectrum space for more services, signals, or stations, and wider bandwidth for video, data, or other information signals requiring a larger spectrum. Main disadvantages are shorter ranges and more complex and costly components.
3. Standard components do not work well, if at all; standard semiconductors do not work; it is difficult to implement resonant circuits and filters with standard parts; conventional analysis and design practices do not apply; different and more difficult and expensive measurement techniques and equipment are needed; line-of-sight transmission distances limit transmission range; and signals are more easily reflected and absorbed by objects and atmospheric phenomena.
4. The L band, 1-2 GHz.

5. Millimeter-wave bands.
6. Multiplexing, single-sideband operation, improved receiver selectivity, use of special modulation techniques with digital data such as PSK and QAM, and digital data compression techniques.
7. The primary architecture is in-phase (I) and quadrature (Q) modulation and demodulation.
8. Generate a base carrier with a crystal oscillator or a frequency synthesizer and then use a chain of frequency multipliers to boost it into the desired microwave range. Generate a base carrier at a lower frequency and use mixing to translate the frequency to the desired higher frequency.
9. Receiver: RF amplifier, mixer, local oscillator; transmitter: RF power amplifier and frequency multipliers.
10. Microstrip and stripline. Microstrip is more widely used because it is easier to work with and the materials are cheaper.
11. Inductors, capacitors, tuned or resonant circuits.
12. Hybrid ring.
13. Internal geometries are designed to lower interelement capacitances, and large flat leads are used to minimize lead inductances.
14. GaAs, InP, SiGe, GaN.
15. Microstrip lines are used in amplifiers for impedance matching as well as for needed inductance, capacitance, and tuned circuits.
16. 100 GHz for small-signal amplifier and oscillator applications, and up to 20 GHz for power amplification.
17. Linear amplifiers used in microwave work are usually biased with a constant-current source that is not only variable to optimize bias but also more stable with temperature and minimizes damage to the device due to thermal problems.
18. Very high attenuation per foot.

19. 6 GHz. Higher for short lengths.
20. Rigid or “hard” line coaxial cable made from tubing filled with a gas. This line cannot be easily bent or routed.
21. A small quarter-wave probe or antenna or a loop near the closed end of the waveguide.
22. High-pass filter.
23. True.
24. Electric (E) and magnetic (H).
25. $TE_{0,1}$.
26. Choke joint.
27. Shunt T and series T. Used as power divider and power combiner.
28. A hybrid T is a waveguide assembly with four ports. The arrangement of the ports causes the signals, either inputs or outputs, to go to some outputs but not to others because of electric and magnetic wave propagation. The hybrid T is frequently used to permit a single antenna to be used as both transmitter and receiver so that a signal from the transmitter is passed to the antenna but is prevented from entering the receiver front end and damaging it.
29. Typical terminations are metallic pyramids, powdered graphite, or a resistive wedge or pyramid. Waveguides not open or shorted and some multiple of a quarter-wave must be terminated to avoid reflections and high SWR.
30. To provide a way to tap off a small fraction of power to enable the power output to be measured by a low-power wattmeter.
31. Cavity resonator.
32. Parallel resonant circuit.
33. Bandpass filters.
34. Resonant frequency.

35. A circulator is a three-port device that transfers energy applied to one port to the second port but not the third port. Circulators are used primarily as diplexers that allow a transmitter and receiver to share an antenna simultaneously, with transmitter power getting back into the receiver front end.
36. An isolator is a two-port device that is unidirectional; that is, power is passed in one direction but not the other.
37. Silicon diodes have high PN capacitance. Silicon has lower electron mobility than other materials.
38. Hot carrier diode or Schottky barrier diode.
39. Mixing or frequency translation.
40. Varactor and step-recovery diode. These diodes do not amplify.
41. Gunn diode and IMPATT or TRAPATT diodes.
42. Switch and variable resistance.
43. Reverse bias.
44. True.
45. False.
46. True.
47. Velocity modulation.
48. Input, buncher cavity; output, catcher cavity.
49. Low-power, by transistor amplifiers and/or low- power Gunn diode oscillators; high-power, by TWTs.
50. The U-shaped magnet.
51. Microwave ovens and radar transmitters.
52. Microwave power amplification for transmitters.
53. With a helical coaxial cable or wire wound the length of the tube through which the electrons pass.
54. Wide bandwidth.
55. Horn or horn with parabolic reflector.
56. Gain increases and beamwidth decreases with horn length.
57. 10 to 60°.
58. Wide.

59. Paraboloid.
60. The antenna must be at the focal point of the paraboloid.
61. Horn.
62. Cassegrain feed. Its purpose is to permit the horn to be at the center of the dish, which is usually a more convenient physical mounting arrangement.
63. Simplicity and low cost.
64. 12 to 20 dB.
65. 12 to 45°.
66. Circular polarization.
67. Right-hand circular polarization; left-hand circular polarization.
68. True.
69. False.
70. Bicone.
71. One-half wavelength.
72. In high-speed aircraft where protruding antennas add drag.
73. By a waveguide.
74. To focus the waves into a narrower beam.
75. Patch antennas.
76. Circular and rectangular.
77. Coaxial or edge using a quarter-wave Q section.
78. Phased array. It is used in military radar.
79. Loop, inverted-F, meander line.
80. MIMO is multiple input multiple output and is a technique using multiple transmitters, receivers and antennas to create multiple signals with multiple paths from transmitter to receiver. This multiplies the data rate and because of the signal combining techniques with signals from multiple antennas, the effects of multipath fading and cancellation are mitigated making transmission more reliable. MIMO is used in the latest wireless LAN systems (802.11n) and will also be used in WiMAX and other wireless systems.

81. MIMO, adaptive beam forming, and diversity.
82. Higher gain and directivity to isolate signals to minimize interference.
83. Spatial division multiplexing uses smart antennas to allow the use of a single channel to carry multiple calls by using the directive nature of the antennas to keep the signals separate and from interfering with one another.
84. Radar, satellites, cell phones, wireless LANs.
85. Distance or range.
86. Directional characteristic.
87. The size of the target is the most important characteristic, but the material of the target also affects the amount of reflection.
88. K and X bands.
89. True.
90. Pulse and Doppler.
91. Doppler shift.
92. False.
93. The magnetron power oscillator.
94. Transmit-receive and anti-transmit-receive tubes, which are spark gaps that conduct when the high-power transmitter signal is turned on to prevent damage to the receiver.
95. Cathode-ray tube (CRT).
96. Military, search, tracking, navigation; civilian, aviation, marine navigation, weather, speed limit enforcement.
97. Phase and amplitude.
98. 0.144 in., 0.366 cm.
99. True.

Answers to Problems

1. 22.22%, 1%.

2. 255.68 Ω , inductive reactance.
3. 0.632 in.
4. 4.22 GHz.
5. 50 mW.
6. 2.46 in.
7. 8.43 in.
8. 22.2° and 17.35 dB.
9. Gain = 960,000 or 59.82 dB; beamwidth = 0.145°.
10. Assuming a dish of one wavelength at the lowest frequency, 4.225 GHz.
11. 6.18 μ s per nautical mile.
12. 25.3 nautical miles.
13. 1.934 nautical miles.
14. 10.975 μ s.
15. The size of the target should be at least one-quarter wavelength or greater for a good reflection. The larger the size in wavelength, the greater the reflection.
16. 1283.33 mph.

Answers to Critical Thinking

1. Use multiple 100-W power amplifiers driven by the same source and combine their outputs in a power combiner to a common load, thus producing a 1-kW signal.
2. As the spacecraft gets farther away, its signal strength will decrease. One way to maintain or possibly increase signal strength is to build a larger antenna. Typical antennas used in space probe monitoring are very large (diameters of 64 m or about 210 ft). Such antennas thus have tremendous gain. Keep in mind that as the size and gain of the antenna increase, the beamwidth gets smaller and smaller, making it ever more difficult to aim the antenna at the location of the spacecraft. Further, any improvement in signal-to-noise ratio will also help. Using a lower-noise front-end

- amplifier or cooling the front end to nearly cryogenic temperatures will lower the noise.
3. The physics of shorter wavelengths results in short transmission ranges. Consider the Friis formula where wavelength is a key factor in computing distance.
 4. CMOS integrated circuits.
 5. Coax cables can be used in mmWave applications. Special cables have been developed for these frequencies. However, cables must be kept short to avoid excessive attenuation. Coax cannot be used for high power where waveguides are necessary.

CHAPTER 19

Answers to Questions

1. Posigrade orbit.
2. Ellipse.
3. Geocenter.
4. Period.
5. An ascending orbit is the movement of a satellite from south to north across the equator. A descending orbit is the movement of a satellite in orbit from north to south across the equator.
6. A satellite signal is more attenuated with a low angle of elevation because the signal must pass through more of the earth's atmosphere. At microwave frequencies this causes reflection and refraction, which degrade the signal.
7. Geosynchronous or geostationary.
8. To make minor adjustments in the satellite's position or attitude.
9. Subsatellite point.
10. Azimuth and elevation.

11. A satellite is a radio relay station that receives a signal and retransmits it. Space-based relay stations like satellites are used because greater communications distances can be achieved at lower cost than by the use of multiple earth-based stations.
12. The earth or ground station.
13. Downlink. Uplink.
14. Transponder. The transponder consists of a low-noise amplifier that picks up the weak signal from the ground station and sends it to a mixer, where it is mixed with a local oscillator signal. All modulation is translated as well. The mixer output is then amplified by a power amplifier and retransmitted back to the earth. A common antenna is used for receiving and transmitting.
15. Microwaves.
16. C band.
17. X band.
18. Ku: 10.95 to 14.5 GHz. Ka: 17.7-3.
19. A transponder is the combination of a receiver that accepts the uplink signal and translates it to another frequency by a mixer to be amplified by and sent as the downlink signal on another frequency by a transmitter.
20. The long transmit and receive times, even at radio wave speeds, introduce delays because of the long distances involved that cannot be easily overcome.
21. Telephone calls, computer data, and TV signals.
22. RF power transistors are used in lower-power satellites, and TWT amplifiers are used in higher-power satellites.
23. A CubeSat is typically 10 cm by 10 cm or about 4 in. square and weighs less than 3 pounds.
24. Demultiplexer.
25. Solar battery panels.
26. Onboard batteries.

27. The TC&C system allows an earth station to track and monitor a satellite independent of its other communications functions and to issue control signals to the satellite's various subsystems.
28. Baseband.
29. Amplifies it in a low-noise amplifier. The signal page-B25 may also be filtered for selectivity and sent to a power divider.
30. Phase-locked loop frequency synthesizer.
31. Transistor, klystron, and TWT.
32. FDMA, TDMA, CDMA, SDMA. TDMA is the most common.
33. Sirius Satellite Radio and XM Radio. 2.3 GHz.
34. A VSAT is a very small aperture terminal, a small low cost satellite earth station used for communicating with satellites.
35. An example of an RO (read only) VSAT is a satellite TV receiver.
36. Digital compression techniques like MPEG2 allows satellites to transmit high speed video.
37. Ku.
38. An LNB contains the horn antenna, an LNA, mixer, and local oscillator.
39. The LNB is used because the Ku band signals from the antenna would be attenuated too much by any coax transmission line.
40. Horizontal and vertical polarization keeps signals separate.

Answers to Problems

1. Zero degrees.
2. Latitude and longitude.
3. The TC&C system is used to fire small hydrazine thrusters that move the satellite in one of several

- directions.
4. Each satellite transmits two unique pseudorandom identification codes (C/A and P) that the receivers can recognize.
 5. The L1 signal on 1575.42 MHz transmits the location information.
 6. L band.
 7. To achieve a higher data rate in the same bandwidth.

Answers to Critical Thinking

1. A satellite stays in orbit because of the balancing effect of the satellite's forward motion and inertia against the earth's gravitational pull.
2. The C/A code is a 1023-bit pseudorandom binary number transmitted at a rate of 1.023 MHz. The P code is also a pseudorandom code and has a rate of 10.23 MHz. The Y code is an encrypted version of the P code that prevents unauthorized use of certain precision features of GPS.
3. Almost any standard antenna may be used for satellite uplink or downlink, including dipoles, ground planes, and Yagis. Since the satellite will be moving continuously with respect to the position of the ground stations, the antennas must be positioned so that their pattern is within range of the satellite. The simplest approach is to use omnidirectional antennas so that regardless of the position of the satellite, the uplink and downlink stations can "see" the satellite at all times. The downside to this is that omnidirectional antennas have no gain. If satellite power is sufficient and receiver gain and signal-to-noise ratio are satisfactory, this approach will work fine. If gain antennas are to be used, the beamwidth should be broad so that the satellite is within view with a minimum amount of repositioning or pointing of the antenna. If high gain is

required, the beamwidth will be very narrow, and some type of automatic tracking and pointing mechanism must be used on the antenna to keep it pointing at the satellite.

Highly directional antennas with gain are preferred, to ensure reliable communications, but they cost more and are more complex because of the automatic tracking equipment. The communications link will be broken one per orbit, when the satellite goes on the opposite side of the earth, at which time a blackout will exist for approximately one satellite period.

4. Use a map marked with latitude and longitude.
5. Use spread spectrum.
6. LEO satellites are closer to the earth so less power is needed in the handsets but more satellites are needed for full continuous coverage, making initial costs high. In MEO systems, fewer satellites are needed but for higher power more expensive handsets are needed. GEO satellite cell phones are impractical as the distance is too great, making handsets too large and expensive.
7. LEO 166 dB, GEO 203 dB.

CHAPTER 20

Answers to Questions

1. True.
2. Infrared, visible, ultraviolet.
3. Ultraviolet has the highest frequency and shortest wavelength; infrared has the lowest frequency and the longest wavelength.
4. Straight line.
5. Micron, micrometer, nanometer, angstrom.

6. Red has the longest wavelength, 770 nm; violet has the shortest wavelength, about 400 nm.
7. 0.8 μm (near IR) to 1000 μm (far IR).
8. False.
9. Index of refraction.
10. A reflector such as a mirror.
11. Refraction.
12. The light ray travels along the interface between the two media.
13. The wave is refracted in such a way to appear that it is being reflected as with a mirror.
14. The position of the light source with respect to the medium.
15. No value.
16. Free space and fiber-optic cable.
17. A light source is modulated by varying its amplitude. The most common type of modulation is binary on-off modulation. Continuous variation of the brightness of the light (amplitude modulation) is possible with analog signals.
18. A light transmitter like an LED or page-B26 semiconductor laser may be turned off and on with a fast switching transistor by the serial data to be transmitted. An analog signal may modulate the intensity of an LED or laser by operating the driving transistor in the linear mode and having the signal continuously vary the conductance of the transistor over its linear range.
19. LED and solid-state laser. The laser is brighter and faster and thus preferred. The LED is slower and less bright but sufficient for many short-distance and low-speed applications. The laser is very expensive compared to the LED.
20. High attenuation of the communications path due to dispersion of light caused by fog, smog, moisture, and

other atmospheric conditions. The spreading of the light beam over distance also weakens the signal over long distances.

21. Light signals, usually infrared, of the digital variety.
22. Internal reflection of the light beam from the interface between the light-carrying medium and the cladding surrounding it.
23. Glass and plastic.
24. Digital data as in a LAN, video signals as in modern cable TV, and telephone signals.
25. Telephone long distance and interoffice and central office communications. Internet traffic.
26. Wider bandwidth, which means greater information-carrying ability.
27. False.
28. True.
29. Higher cost and more difficult to work with because of its small size and brittleness.
30. Photodiode or phototransistor.
31. Repeater.
32. Glass.
33. Cladding.
34. Glass for the core and plastic for the cladding.
35. Core.
36. Multimode step index, single-mode step index, and multimode graded index.
37. Modal dispersion. It is caused by multiple light paths with different lengths and thus different transmission times through the cable which results in the light waves reaching the end of the cable at different times.
38. Multimode step index and multimode graded index. Modal dispersion is minimal in single-mode step index cable.
39. Single-mode step index cable.
40. Decrease.

41. Chromatic dispersion is pulse stretching caused by multiple light frequencies in the same cable.
42. Electronic dispersion compensation (EDC) is a technique of using digital signal processing (DSP) with unique FIR equalization filter algorithms at the receiver in a fiber optic system to correct for the various type of dispersion that occurs.
43. 2-15 μm .
44. Plastic sleeve of PVC or similar material.
45. True.
46. Attenuation.
47. Light absorption, scattering, and dispersion.
48. Decibels per kilometer (dB/km).
49. True.
50. Small connectors are attached to the end of fiber-optic cables to provide a way to properly align two cables and to provide a convenient way to attach and disconnect cables.
51. ST and SMA. The ST connectors use a bayonet connection, and the SMA connectors are threaded.
52. 62.5/125 μm and 50/125 μm (also 100/140 μm) and 9/125 μm .
53. Bandwidth refers to the data rate possibilities of a fiber-optic cable. It is usually specified as the product of the bit rate and distance, that is, in megahertz-kilometers (MHz-km).
54. Hydroxyl losses, at 1.4 and 0.95 μm .
55. LEDs and solid-state lasers, usually at infrared frequencies.
56. False.
57. 1.3, 1.55, and 0.86 μm ; the loss of the cable is minimal at these frequencies. See text Fig. 18-24.
58. False.
59. Gallium arsenide or indium phosphide.
60. Monochromatic.
61. Coherent.

62. Optical cavity resonator. It causes all light waves to be in phase and to reinforce one another so that an intense single-frequency beam of light is emitted.
63. Forward-biased.
64. ILD.
65. ILD.
66. ILD or Fabry-Perot, distributed feedback laser (DFB) vertical cavity surface emitting laser (VCSEL). The DFB or ILD lasers are preferred for long haul operation.
67. In DWDM systems, many different light frequencies are used. A tuneable laser can be set to any of the frequencies. Otherwise, standard lasers operate at a fixed frequency only so many are required. Tuneable lasers reduce costs.
68. Reverse-biased.
69. PIN and APD diodes.
70. Light amplifier and shaper such as a comparator or Schmitt trigger.
71. The clock signal can be more easily and reliably recovered from a signal using Manchester encoding.
72. Ethernet and fiber digital data interface (FDDI).
73. μW or $\mu\text{A}/\mu\text{W}$.
74. 850 nm, 1310 nm, 1550 nm. The longer wavelength cable preferred as the attenuation of the cable is less.
75. It takes too long to turn the laser off or on so it is constantly biased into conduction, permitting maximum data speed.
76. Electro-absorption modulator (EAM). Higher data rates are possible than by turning the laser off and on.
77. APC corrects for temperature variations in the laser that vary the light level. It also helps protect the laser and ensure longer life. A photo diode monitors light output from the laser that is used as a feedback signal to adjust laser current.
78. Transimpedance amplifier (TIA).

79. Regeneration is the process of restoring signal level and shape after a long transmission path is traversed. The light signal detected is converted to an electrical signal, amplified and squared up, then retransmitted.

80. In regeneration, the optical signal is converted to electrical, then back to optical or optical-electrical-optical (OEO).

page-B27

81. Erbium doped fiber, laser pump, isolators, and filter.

82. 15-20 dB.

83. Long distance transmission without expensive OEO.

84. MSA means multi-source agreement. This is formal written agreement among manufacturers of fiber optical transceivers that is similar to a standard. It defines the electronics and physical characteristics of transceivers so that a unit from one manufacturer is interchangeable with one from another manufacturer. The benefit is the compatibility and interchangeability that users of the modules enjoy making their designs simpler and second sources of transceivers available.

85. X (Roman numeral) means 10 gigabit.

86. Optical transceivers or transponders.

87. ROSA means receive optical subassembly that consists of the photo diode and the transimpedance amplifier (TIA) and possibly EDC.

88. TOSA means transmit optical subassembly that consists of the directly modulated laser diode (DML) and the laser driver (LD) circuits.

89. A CDR is a clock and data recovery unit. It is a phase-locked loop (PLL) that captures the incoming signal, filters it and reproduces and output at the clock frequency to time the incoming data.

90. A CMU is a clock multiplier unit. It is a PLL driven by an precision crystal oscillator with a frequency divider in the feedback path from the VCO to the error detector. The VCO output therefore is equal to the input crystal

frequency multiplied by the frequency division ratio. This circuit provides a clock signal with the precision and stability of a crystal but at a higher frequency obtainable with a crystal alone.

91. SERDES.
92. SFF, SFP, XENPAK, X2, XFP XPAK, and 300 pin.
93. SPI-4.
94. The electrical interface on a XENPAK module is XAUI which stands for 10 Gbps attachment unit interface. It uses four 3.125 GHz serial paths in parallel to transfer data at a gross rate of 12.5 Gbps and a data rate of 10 Gbps.
95. The electrical interface on a XFP module is a serial path designated XFI.
96. The term “reach” in fiber optical systems refers to the maximum range or distance that a signal can carry. Long reach (LR) refers to a distance of 40 to 80 km.
97. It is similar to frequency division multiplexing with different “colors” of light, permitting multiple channels of data to be transmitted on the same cable.
98. Four.
99. More than 160 channels.
100. Array waveguide grating (AWG).
101. C: 1525 to 1565 nm.
L: 1570 to 1610 nm.
S: 1525 to 1538 nm.
102. Splitters or combiners. Array waveguides (AWG).
103. MAN or metro.
104. PONs are used primarily to deliver high-speed Internet service to consumers. This includes VoIP as well as Internet Protocol TV.
105. The central office (CO) is usually called the optical line terminal (OLT) while the subscriber device is called the optical line unit (ONU) or optical line terminal (ONT).
106. A combiner is a passive optical device that multiplexes two or more optical signals on a single fiber. A splitter is

a passive optical device that demultiplexes two or more signals or divides the power of a single signal into multiple lower level signals. A single device may be used as either a splitter or a combiner.

107. 25 μ W.
108. BPON originally now GPON. Upload 1.25 Gbps, download 2.5 Gbps.
109. EPON is Ethernet PON which is used primarily in Asia (Japan, Korea and Europe).
110. EPON operates at a symmetrical rate of 1.25 Gbps upload and download.
111. Down stream 1490 nm. Up stream 1310 nm. Video 1550 nm.
112. In some systems, fiber is run to a neighborhood or small geographic region and then the basic telephone wiring (local loops) are used to transmit the signal to the homes using DSL technology, ADSL2 or VDSL in the newer systems.
113. FTTH is fiber to the home. This is the ultimate fiber system where the fiber optic cable is run directly into the home.
114. The first/last mile is usually the local loop telephone connection but could refer to the FTTH connection in newer systems.
115. Phase or polarization.
116. By using an interferometer technique by mixing two light sources so that they aid or oppose one another.
117. Lithium niobate.
118. 100 Gbps is achieved by using four lanes of 25 Gbps or 10 lanes of 10 Gbps. Individual fibers can be used or DWDM.
119. DP-QPSK.
120. 100GBASE-LR4, 100GBASE-ER4.
121. Using DWDM or modulation like DP-QPSK.
122. CFP, CSP, or CDFP.
123. OTU4, 112 Gbps.

124. 10 lanes at 10 Gbps or 4 lanes of 25 Gbps.
125. 800 Gbps and eventually 1 Tbps.

Answers to Problems

1. 300,000,000 m/s, 186,000 mi/s.
2. 28.4°.
3. See Fig. 20-8 and the related text.
4. Voice and video signals are usually converted into serial binary signals which are transmitted by turning the light transmitter off and on. In some cases, video signals are transmitted by amplitude modulation of the light beam.
5. 12 percent.
6. 0.75 mi, 3960 ft.
7. 9.6 km.
8. 86 dB.

9. 100 MHz, 200 MHz.
10. Light increases the leakage current in the reverse-biased PN junction.
11. 75 Mbps.
12. 10 to 30 km.
13. The analog signal to be transmitted continuously amplitude-modulates the intensity of the laser beam. This is often done in cable TV systems using fiber-optic cable.
14. 7.575 Mbps.
15. 3.2- μ W minimum receiver sensitivity; 3.175-Mbps maximum data rate.
16. Note: There is an error in the text. Sonet should read SONET. Assume OC-48 rate is 2.5 Gbps.
 $64 \times 2.5 = 160$ Gbps.
17. 2800 to 3200 Mbps.

Answers to Critical Thinking

1. Video telephones, direct connection for consumer computers to the Internet, “tapless” consumer and business telephones for greater security.
2. Half-duplex communications over a single fiber-optic cable is accomplished by having a transmitter and receiver at each end of the cable. One transmits while the other receives. To implement full-duplex, a transmitter and a receiver are required at each end, but the transmitters operate at different infrared frequencies so that the two data sources can be separated and detected during simultaneous transmission. Alternatively, the same infrared frequency could be used in both directions, but the data would modulate different carrier frequencies so that the two signals could be distinguished from one another.
3. Yes. The very slow response time of a heated filament in a light bulb would restrict the speed of operation to a very low and unacceptable level. The light bulb would also have a very short life. The benefit would be low cost.
4. The benefits of a wireless system are that no cables are required. This eliminates the cost of the cable, the installation cost, the maintenance and possible replacement cost, and the cost of any right of way necessary to bury the cable in or string it across the property of others. The disadvantage of the radio wireless system is that relatively expensive equipment must be used. To transmit a 75-Mbps data stream requires a significant bandwidth (37.5 MHz minimum). A channel this wide is available only in the microwave region. Therefore, microwave equipment would be needed, including transmitter, receiver, parabolic dish

antennas, and the related towers. An FCC license would no doubt be required.

The benefits of the fiber-optic cable system is that a data rate of 75 Mbps is easily accomplished over the 1-km distance with minimum power and cost. The transmit and receive circuits are very simple and inexpensive compared to the microwave radio equipment. On the other hand, the disadvantages are the cost of right of way, cable installation, and maintenance. This offsets some of the advantages associated with the lower cost of the transmit and receive equipment. Overall, the fiber-optic system is probably the better system in terms of cost. Otherwise, the two systems give comparable results and performance.

5. Use 8 channels of light with each bit in the byte transmitting on one of the eight channels.

CHAPTER 21

Answers to Questions

1. Cell phones and wireless LANs. Selected wireless specialties.
2. 4G LTE.
3. Federal Communications Commission.
4. Height of antenna and antenna directivity.
5. FR1 covers 410 MHz to 7.125 GHz; FR2 covers 24.25 GHz to 52.6 GHz.
6. FMDA, CDMA, TDMA, OFDM, spatial.
7. True.
8. True.
9. AT&T, T-Mobile, Verizon.
10. False.
11. Spectrum shortage.

12. Video.
13. CDMA.
14. FDD.
15. Duplexer (isolator).
16. TDD uses half the bandwidth of FDD.
17. Data rate is roughly proportional to the channel bandwidth.
18. Directional antennas divided into three sectors.
19. A vocoder digitizes the voice signal.
20. GSM, CDMA. GSM is the most widely used.
21. False.
22. Bits per second / Hz of bandwidth.
23. 200 kHz.
24. Eight.
25. True.
26. GMSK.
27. Spread spectrum.
28. 1.25 Hz, 64 max, 10–40 typical.
29. Automatic power control.
30. Pseudo-random (Walsh) codes.
31. Direct conversion software-defined radio.
32. So signals using forms of FSK or PSK can be demodulated.
33. Mixing, demodulation, filtering, equalization.
34. After the first (input) mixers.
35. A triangular physical structure with vertical antenna arrays.
36. The most common radiation pattern is three 120° sectors.
37. The three sectors keep signals isolated and separated so common channels can be reused.
38. Class AB line or power amplifiers up to 40 watts.
39. To minimize the production of harmonics and intermodulation signals.

40. Smart antennas with automatic steering and beamforming.
41. LTE.
42. OFDM and QAM.
43. A resource block is a group of twelve 15 kHz OFDM subcarriers used to assign to a call.
44. LTE is mostly FDD but a TDD version is also used.
45. No. The LTE is the same but operate on different frequency bands.
46. Maximum bandwidth is 20 MHz but bandwidths of 1.4, 3, 5, 10 and 15 MHz can be used.
47. Cyclical prefix.
48. LTE: 4×4, LTE-A: 8×8.
49. Antenna spacing. Two antennas is the maximum practical.
50. LTE can achieve 100 Mbps. LTE-A can achieve up to 1 Gbps.
51. OFDMA. Blocks of subcarriers are assigned to different callers within the channel bandwidth.
52. LTE-A uses a combination of multiple channel aggregation, MIMO and 64 QAM to reach 1 Gbps.
53. A remote radio head is a base station RF section packaged to mount at the antenna.
54. Yes, for backward compatibility.
55. GSM, WCDMA, LTE, Wi-Fi, Bluetooth, GPS, NFC.
56. Voice calls a handled by older 2G or 3G technology.
57. VoIP called VoLTE.
58. HetNet refers to a network of regular cell sites as well as smaller, micro, or pico cells.
59. Femto, pico, micro/Metro, Macro. See Table 21-2.
60. A macrocell is a normal standard cell site.
61. Small cells provide better coverage because there are more of them. Reliability and speed are increased.
62. Larger ICs, improved processors, DSP and higher microwave frequencies.

63. The link between the base station and the central office. Fiber and microwave.
64. MIMO and beamforming.
65. Distributed antenna systems.
66. Millimeter waves, MIMO and small cells.
67. Fifth Generation New Radio.
68. Factory automation with robots and the advanced driver assistance systems (ADAS).
69. 28, 37-39, and 47 GHz.
70. 4 transmit and 2 receive format for MIMO.
71. Microwave or millimeter wave.

Answers to Problems

1. 1.6 bits/Hz.
2. Approximately 1.2 MHz.
3. 111.
4. 15 kHz.
5. 16.

Answers to Critical Thinking

1. Not in its current form. It is technically possible but new equipment and FCC frequency reassignment will probably be necessary.
2. There has been some evidence that microwaves are harmful to humans. It takes high power and close proximity for it to be harmful. Not much can be done about it—just don't talk on a 5G cell phone for hours each day.

CHAPTER 22

Answers to Questions

1. Mobility, convenience.

2. 802.11.
3. Wi-Fi.
4. 802.11b: 2.4 GHz, 11 Mbps; 802.11a: 5.8 GHz, 54 Mbps; 802.11g: 2.4 GHz, 54 Mbps; 802.11n: 2.4 and 5.8 GHz, 300 Mbps, 802.11ac: 5.8 GHz, 900 Mbps, 802.11ad: 60 GHz, 1 Gbps+.
5. An access point is a transceiver set up to communicate with PCs and laptops containing an 802.11 WLAN capability. A hot spot is an access located in a public place like an airport.
6. Router or gateway.
7. 2.4, 5.8, and 60 GHz.
8. Higher operating frequency, wider bandwidth, and MIMO.
9. 802.11ad. Video transport.
10. Offload means directing data traffic on the cellular network to a nearby Wi-Fi hotspot to unburden the network for greater traffic and higher speeds. Offload is enabled by IEEE 802.11u and Wi-Fi Alliance Hotspot 2.0.
11. Wi-Fi Direct allows Wi-Fi enabled devices to talk directly to one another and not through an access point.
12. Interoperability is ensured by a testing and certification program that makes sure all vendors equipment works together properly. This program is run by the Wi-Fi Alliance.
13. Personal area network. An ad hoc short-range wireless network between peers.
14. Bluetooth, ZigBee.
15. Frequency hopping spread spectrum (FHSS), GFSK.
16. Version 2.0 of Bluetooth uses FHSS and GFSK for 1 Mbps but uses $\pi/4$ -QPSK.
17. BLE uses a different frequency hopping scheme, uses less power, with a maximum data rate of 1 Mbps.
18. Class 1: 100 meters, class 3: 10 meters.

19. A piconet is a group of up to 8 Bluetooth transceivers linked in a star network. A scatternet is two or more piconets linked together.
20. Bluetooth applications: PC/laptop to cell phone, hands free kit for cell phone in a car, wireless headset for cell phone. The latter is the most widely used application.
21. 802.15.4.
22. Wireless mesh sensor networks.
23. 868 MHz: 20kbps, 915 MHz: 40 kbps, 2.4 GHz: 250 kbps.
24. The 2.4 GHz/250 kbps version is the most popular. page-B30
25. DSSS CSMA/CA and O-QPSK.
26. Star and mesh.
27. A mesh network extends its range by having all nodes link with nearby nodes then transmitting a packet from one to another over long distances by using intermediate nodes as repeaters. If one node fails, alternate links are established with other nearby nodes as repeaters.
28. Wireless sensor mesh networks, lighting off/on control, heating and A/C ventilation control, industrial monitoring and control, automotive or medical sensor reading.
29. Bluetooth and Wi-Fi.
30. Industrial, scientific, medical.
31. 2.4 GHz.
32. False.
33. Wi-Fi 6 refers to the IEEE standard 802.11ax.
34. Standardization.
35. 802.11af, 802.11ah.
36. 802.11ad and 802.11ay.
37. Only Wi-Fi.
38. LTE-M and NB-IoT.

39. Modules require less design time and cost. And most have already been tested and certified, saving more time and cost.
40. Radio frequency identification. A wireless method similar to bar coding to identify and track devices with RFID tags.
41. Bar coding.
42. It rectifies the received RF from a reader and rectifies and filters it into DC.
43. 125 kHz, 13.56 MHz, 902-928 MHz.
44. Several feet.
45. ASK by cloaking.
46. Animal tracking, shipping, inventory tracking, personal security entry, baggage handling, asset tracking.
47. EPCGlobal Gen 2, 868 or 915 MHz, security code, high read rate for multiple tags.
48. In an EEPROM.
49. Near field communications.
50. 13.56 MHz, data rates of 106, 212, or 424 kbps.
51. Automatic payment, automated gate entry, peer-to-peer set up of other protocols.
52. UWB is very low power signal spread over a wide frequency range with high data rate. A carrier is not used with pulse-type UWB but multiple carriers are under in the OFDM version.
53. Monopulse or monocycle.
54. 3.1 to 10.6 GHz.
55. Pulse position and phase shift. In MB-OFDM, BPSK or QPSK.
56. Very low power, shares spectrum, highly secure, fast data rates, superior resolution, very efficient.
57. Potential interference to other services sharing the same spectrum. Very short range.
58. UWB is no longer widely used as there are faster versions of Wi-Fi not available.
59. WiMedia UWB uses OFDM and BPSK/QPSK.

60. 480 Mbps.
61. Wireless computer peripherals via USB and wireless video.
62. White space radios use the unused TV channels for data applications.
63. 470 to 710 MHz.
64. Cognitive radio. Access a data base of available channels and active listening.
65. Proprietary, 802.11af, 802.22.
66. Cognitive radio and frequency sharing.
67. Industrial.
68. Improve productivity, reduce downtime, reduce maintenance costs, predict machine failure, reduce the need for some personnel.
69. Wi-Fi and Bluetooth are the most widely used; Bluetooth has the greater number of installed radios.
70. DSRC and C-V2X.
71. Connecting virtual any device to the Internet for monitoring or control.
72. In the home. Home energy monitoring, appliances, video, security, lighting, door locks.
73. The laptop and the smartphone.
74. Wi-Fi is the most common with ZigBee and Bluetooth also used.

Answers to Problems

1. a. ISM band radios.
b. WiMAX or cell phones.
2. 16.7 GHz.

Answers to Critical Thinking

1. Garage door openers, remote keyless entry in vehicles, wireless tire gauge, wireless medical monitors.

2. Wireless tracking of children via GPS and cell phone technology. Remote control of light switches. Remote thermometer. Any other not described.
3. Range, data rate and need for security.
4. The basic physics of wireless means less range at higher frequencies for a given power, etc. This is overcome in 802.11ad by using high gain directional antennas and higher power.

CHAPTER 23

Answers to Questions

1. Frequency response.
2. A digital oscilloscope displays any analog or digital signal by first digitizing the signal with an A/D converter and storing one sweep in a memory. A microprocessor associated with the memory controls the output of the sampled data to a D/A converter, which produces the signal for the vertical sweep of the CRT. The major sections are input amplifier and attenuator, S/H and A/D converter, RAM and microprocessor, vertical output D/A converter, clock and counter circuits and D/A converter for horizontal sweep, and the CRT.
3. Noninductive resistors with minimum capacitance. page-B31
4. Bridge type and one that derives SWR from power measurements.
5. Monomatch and directional coupler.
6.
$$SWR = \frac{1 + \sqrt{P_R/P_F}}{1 - \sqrt{P_R/P_F}}$$

In the above, the V means the square root of all the entire term to the right (P_R/P_F).
7. Function generator.

8. With a switch step attenuator.
9. 50 Ω .
10. Use the proper type and size of coaxial cables with matching connectors and be sure to match impedances and ensure that all cables are terminated in the correct impedance. A warmup minimizes frequency drift.
11. A sweep generator continuously varies the frequency of the output at a constant amplitude over a linear range. The frequency usually varies from some low-frequency limit linearly up to some high-frequency limit. This signal is applied to circuits to be tested.
12. Determine filter characteristics and amplifier frequency response.
13. A diode detector RF probe is used on an oscilloscope.
14. Input circuit, clock/time base, control circuits, counter, gate, and display.
15. A VSG consists of a software-defined waveform that is converted to I and Q signals that go to DACs. The DAC outputs modulate a carrier for final output.
16. A network analyzer is an instrument that measures and analyzes the complex impedance of a circuit and displays it as a frequency or phase plot or on a Smith Chart.
17. The amplitude versus frequency of the frequency components of a complex wave such as the fundamental or carrier plus sidebands and harmonics.
18. A field strength meter detects the presence of an RF signal. The circuit is a short antenna connected to a diode detector, capacitor filter, and DC meter.
19. Frequency, power, modulation, and spurious outputs.
20. A VSA is a digital signal analysis tool. It digitizes an input signal and uses software to discover modulation type. Typical outputs are power spectrum or a constellation diagram.
21. Spectrum analyzer.
22. 2 to 1.

23. SINAD stands for *signal plus noise and distortion*, a composite signal used in measuring receiver performance.
24. A receiver blocking test ensures that adjacent channel interference is reduced to some specified attenuation.
25. The IP3 test determines the degree of linearity or non-linearity of an amplifier to determine the degree of mixing and generation of spurious signals.
26. An eye pattern shows multiple bits of a serial binary signal overlapped on an oscilloscope screen. The general appearance is that of an open eye. The more "open" the eye, the steeper the rise fall times, the wider the bandwidth of the circuit or channel.
27. A closing eye means that the cable or other medium is bandwidth-limited.
28. Horizontal and vertical jitter is excessive.
29. BER analyzer.
30. A message is sent and compared to an accurate version of the same message. Bit errors are counted. The BER is calculated as a percentage of errors to total bits sent.
31. A protocol analyzer examines a serial bit stream and determines the protocol of the data by comparing it to known protocols. It identifies total bits per frame, preamble and sync fields, source and destination addresses, the data block, the error-detection word, and other features and displays the result on a video monitor.
32. Mechanical components.
33. Power supply, cables and connectors, antenna.
34. The equipment documentation, schematics, user's guide, service manual, and so on.
35. Broken or misadjusted elements. Open, shorted, or otherwise damaged transmission line.
36. Signal tracing (transmitters). Signal injection (receivers).

37. Signal generators, RF voltmeters, oscilloscopes with RF probes, spectrum analyzer.
38. Attenuation, TDR, jitter, cable alignment.
39. High-speed fiber optic data communications systems such as SONET at a rate greater than 1 Gbps.
40. Jitter is rapid variation in the phase or frequency of a received serial binary signal caused by noise or instabilities in the system. It shows up as imperfect overlapping of the eye pattern from sweep to sweep. Phase jitter would show up as a horizontal variation of the position of the eye pattern.
41. Unit interval (UI) = one bit time.
42. Access to critical points in a circuit may not be accessible via external pins.
43. Boundary scan circuitry.
44. Boundary scan cell.
45. Through an internal shift register connected to each boundary scan cell.
46. An external program on a test computer.
47. IEEE 1149.1 or JTAG.
48. Interference to any communications device by any other electrical or electronic device.
49. FCC.
50. Local oscillator circuits, VCOs in phase lock loop synthesizers.
51. Switching power supplies generate transients that produce EMI.
52. EMI is conducted back through a power supply to the AC line. The AC line may radiate this EMI as well as conduct it. Switching transients on the line produce EMI.
53. Radiation, inductive or capacitive coupling, conduction by cable or AC power line.
54. Computers, PC, or embedded controllers.
55. Grounding, shielding, filtering.
56. A large area of copper called a ground plane.

57. An earth ground.
58. A circuit formed where two (or more) grounds are not at the same (zero) potential. Separate widely spaced ground connections.
59. Use a single ground connection point.
60. Large, heavy copper wire or braid. Very low resistance. Less than $\lambda/4$ at the operating frequency.
61. Shielding with metal prevents the electric and page-B32 magnetic fields from being radiated.
62. Use special flexible metal seals on the shield housing.
63. Power supply decoupling adds low pass filtering between the connections to circuits and the power source to keep signals out of the power supply.
64. A ferrite bead over a short wire or component lead.
65. AC line filters keep high-frequency transients from entering the equipment and prevent high frequencies generated in the equipment from getting on to the power line.
66. Inductive or capacitively coupled, common mode signals.
67. FCC Code of Federal Regulations, Title 47 Parts 15 and 18.
68. Receivers with antennas, or inductive/capacitive probes on oscilloscopes.
69. $\mu\text{V}/\text{meter}$. This is the field strength measurement made over a fixed distance (3 or 10 feet).
70. Antenna (directional) or probes.
71. A VNA measures characteristics and specifications of RF and microwave components and circuits.
72. The VNA applies a signal to a test component or circuit and then digitizes the output that is then processed by a DSP to produce S-parameters and an output display.
73. Using directional couplers in the VNA inputs.
74. S-parameters are mathematical expressions that define a linear network.

75. The VNA makes measurements that can then be used to calculate SWR and other transmission line characteristics.

Answers to Problems

1. A sequence of binary numbers stored in a RAM or ROM are sent to a D/A converter to create the AC output waveform. The RAM and DAC speeds limit the upper frequency of the output.
2. The signal to be displayed is sent to the mixer and downconverted to an IF where it is filtered and detected with an AM demodulator. The local oscillator frequency applied to the mixer is swept linearly over a narrow frequency range. The mixer converts each frequency component (sidebands, harmonics, etc.) into a frequency within the IF range. The linear sweep signal also sweeps the beam of a crt (or LCD) horizontally while the detected output is fed to the vertical deflection plates of the crt. The resolution of the spectrum analyzer is determined by the bandwidth of the IF section.
3. 23 mV.
4. The second mixer or its LO are likely. Or any circuit prior to the second mixer including the input signal, LNA, first mixer and LO, IF amp or the BPF. Signal trace to discover.
5. $SWR = 2.62$.

Answers to Critical Thinking

1. DSOs can often measure and display very high frequencies not possible on an analog scope if the equivalent time display method is used. DSOs store the sampled signal in a memory and a DSP processor can be used to make additional measurements or perform

- mathematical operations such as averaging multiple samples to reduce noise or to compute rise time.
2. Adjust the transmitter output impedance matching circuits, adjust the antenna, add an antenna tuner, or add an impedance matching circuit.
 3. Before making a decision, check the unit thoroughly to be sure that it is not an easily corrected problem. The most common cell phone problems are defective batteries or charger and a broken antenna. You may wish to take the unit to a service depot and let a technician check it and give you an estimate. If the unit has to be repaired, figure an approximate price of 2 hours at \$75 per hour or \$150 plus parts. This amount is probably more than the price of most new phones so a repair does not make sense. In some cases, no repair services will be offered, only the sale of new phones or exact replacements.
 4. Household devices that can interfere with other equipment are mostly those with motors. Hair dryers, mixers, and other small motor appliances can create noise and interference in radios, cordless phones, and TV sets. A microwave oven can interfere with a cordless phone and a wireless network.
 5. Radio equipment like CB radio can create harmonics that can interfere with FM radio or TV. FRS radios can interfere with TV and some cordless phones. Amateur radio equipment because of its higher power can interfere with TV and FM radio.
 6. JTAG systems cannot test analog and RF signals.

Answers to Online Activities Questions

- 1-1 Exploring the Regulatory Agencies
 1. The FCC reports to Congress.

2. The NTIA reports to the Department of Commerce.
3. The function of the FCC is to regulate all commercial communications including telephone, telegraph, radio/TV broadcast, cable TV and other broadband and all wireless including satellite. The FCC also manages the U.S. frequency spectrum.
4. The function of the NTIA is to serve as an advisor to the president on telecommunications issues, engage in research and to manage the military and government spectrum.
5. The CFR Title 47 contains all the rules and regulations pertaining to electronic communications.
6. Yes, the NTIA frequency spectrum chart is available for purchase.

1-2 Examining the FCC Rules and Regulations

1. Terms and definitions.
2. Aeronautical communications.
3. Part 13.
4. Part 15 covers unintentional radiators and unlicensed wireless devices. Also included are ultrawideband, power line communications, and TV band devices.
5. Part 18 covers industrial, scientific, and medical equipment that radiates.
6. Part 76.
7. Parts 80, 87, and 101.
8. Part 95 covers FRS and CB operations.
FRS: 462 to 468 MHz, CB: 26.965 to 27.405 MHz.
9. Yes, Part 76.
10. CW, voice (phone), RTTY, TV using AM, SSB, or FM.
11. Parts 15 and 18.
12. Parts 22 and 24 cover the cellular telephone sector. Part 15 covers WLAN.

1-3 Investigate Licensing and Certification

1. General Radiotelephone Operators License. Those who work on aircraft and marine communications equipment.
2. Pass an FCC exam on rules and regulations (Element 1) and electronic and communications theory (Element 3).
3. Supplements to the GROL are a radar endorsement (Element 8) and Global Marine Distress and Safety System (GMDSS) endorsement (Element 7).
4. Certifications from ETA-I and ISCET require an exam on basis electronics theory and an exam on communication electronics.
5. iNARTE.

2-1 Exploring filter Options

1. RC active filters.
2. 7 kHz.
3. LC filters.

Answers to Questions

1. L and C values are odd and nonstandard. Selecting actual components will be difficult.
2. Butterworth.

3-1 AM and SSB Radio Applications

1. Amateur radio, citizen's band (CB) radio, U.S. AM broadcasting, shortwave broadcasting, aeronautical radio.
2. Amateur radio, citizens band radio, U.S. TV broadcasting (8VSB), marine radio.
3. Less bandwidth used. Greater power efficiency.
4. Receiving demodulation.
5. Typically in the 3 to 30 MHz range.

4-1 ASK Transmitters and Receivers

1. Analog Devices, Infineon, Maxim Integrated, Melexis, Texas Instruments.
2. 315, 345, 433.92, 868 MHz.
3. -90 to -120 dBm.
4. -15 to +20 dBm.
5. 2.1 to 5.5 V, 3 or 3.3 V the most common.
6. Garage door openers, remote control of access, security systems, sensor telemetry.

5-1 FM Radio Applications

1. FM broadcast, amateur radio, family radio service (FRS), public service (police, fire, taxi, etc.) radio, marine radio, weather radio.
2. Main benefit is greater resistance to noise and fading than AM.
3. Main disadvantage is wider bandwidth needed than AM.
4. Above 70 MHz.
5. Frequency shift keying (FSK).

6-1 Exploring FSK

1. Coherent FSK retains the phase continuity when switching between the two frequencies by choosing frequencies that have common zero crossing points. Noncoherent does not.
2. Coherent is preferred because it does not produce the discontinuities that widen the bandwidth of the FM signal.
3. Filtering the signal can reduce the bandwidth.
4. 2FSK is standard two-frequency FSK. 4FSK uses four different frequencies that permits transmitting higher data rates.
5. Remote keyless entry, tire pressure monitor, remote control of access, security systems, sensor telemetry, bluetooth.

7-1 Exploring DSP

1. The IIR filter uses feedback to improve frequency response.
2. IIR filter would be used where greater selectivity near the cut-off frequency is needed.
3. Equalization is the process of reversing the effects of frequency distortion on a signal. If a signal has its high-frequency signals attenuated in a cable or amplifier, a circuit that emphasizes the high frequencies is added to the signal chain to equalize the result creating a flat response. If a digital pulse is distorted by low pass filtering in a channel causing the rise time to slow and pulse width to expand, a circuit capable of reversing this effect is added. Equalizers can be implemented with DSP filters that reverse the effect of the predicted channel effects.
4. A sine wave is generated by storing a table of digital values that sequentially equal increments of a sine wave that might be derived from an ADC. The sine values are then fed sequentially to a DAC that creates a stepped equivalent of the sine wave.
5. Amplitude modulation is generated by streaming or storing (buffering) the digital versions of a carrier sine wave and a modulating signal then multiplying the two signals to produce the upper and lower sidebands. Add the carrier signal to this product to create the final AM signal.

$$[(\text{Carrier} \times \text{Modulating signal}) + \text{Carrier}]$$

AM demodulation is accomplished by digitizing the AM signal in an ADC then multiplying it by the carrier signal into two mixer/modulators one with a sine carrier and another with a cosine (90 degree) carrier. This creates the in-phase (I) and quadrature (Q) signals. The I and Q signals are each squared

and summed. The square root of this sum is the original modulating signal.

6. One algorithm for FM is to use the formula for FM in the textbook and compute it in DSP. This expression is $v_{FM} = V_c \sin[2\pi f_c t + mf \sin(2\pi f_m t)]$. It requires a significant amount of computing power but today's DSPs or FPGAs have the power to do it. Other simpler algorithms may also be available.

8-1 Examining IC RF Power Amplifiers

page-B34

1. Power amplifiers are available for all cellular bands. Some typical ones are 814-849 MHz, 1850-1915 MHz, 1710-1755 MHz, and 2500-2700 MHz.
2. 50-ohms.
3. 26.5 to 28.6 dBm.
4. GaAs, InGaP, Si, GaN.
5. Linear usually class AB.
6. Ga As and GaN.
7. Yes, NXP.

9-1 Becoming Familiar with IC Receiver Data Sheets

1. Gain: AD8338 -0 to 80 dB, MAX2678 -34.8 dB
Frequency: AD8338 - Up to 18MHz, MAX2678 1575 MHz, Sensitivity not given. Gain control: AD8228 - Variable DC, MAX2678 - High or low gain selected by open or short on gain pin.
2. AD8338: 3 to 5 VDC no current given
MAX2678: 3 to 5 VDC, 35 mA
3. Capacitors, resistors, inductors, crystals.
4. AD8338: 16-pin LFCSP, 3 × 3 mm
MAX2678: 10-pin TDFN, 1.5 × 2.3 mm.

10-1 Spectral Efficiency

1. OFDM.
2. QAM.

3. Complex modulations using amplitude and phase need a higher signal-to-noise ratio to achieve a good BER.
4. BPSK and FSK.
5. DSP.

11-1 Understanding Quadrature Multiplexing

1. Two separate signals modulate a carrier in one modulator and the same carrier shifted 90 degrees and the two modulator outputs are added together to form the output.
2. Two.
3. See Figs. 11-25 and 11-27 in the textbook.
4. Quadrature means at a 90 degree angle or phase shift.
5. FDM.
6. QPSK modulation in wireless systems is the most common example.

12-1 Public Safety Two-Way Radios

1. Police, fire, government, public safety.
2. P25, Tetra, DMR
3. P25, Tetra, D-Star
4. Dividing spectrum space into smaller channels to accommodate more users.
5. VHF and low UHF, 150 to 500 MHz

12-2 Cognitive Radio

1. SDR Forum and some IEEE standards groups.
2. Military and cell phone systems
3. The radio and a microcomputer programmed to handle the cognitive functions.
4. None has been identified yet.

13-1 Coax Cable Variations

1. 50 ohms.
2. Rigid coax is not flexible and is more like a pipe. It is used in long cable runs like those in cellular base

stations.

3. Rigid coax has less attenuation than flexible coax and can handle higher power.
4. Some coax cables can carry signals up to 40 GHz or more but with very high attenuation. An example is a cable to carry signals up to 18 GHz with an attenuation of 32 dB/100 feet.
5. TNC, SMB, MCX.

13-2 Investigate the Smith Chart

1. QuickSmith and Winsmith. There are others.
2. Designing filters and impedance matching.

14-1 Exploring Ethernet in More Depth

1. Cat5 and Cat6.
2. 1 Gigabit is probably the most common but that keeps changing as the speeds increase.
3. The Ethernet Alliance is an organization of companies that develop and sell Ethernet products. The Alliance provides a way to provide research, development, and direction to the IEEE standards committees.
4. 802.3.
5. Unshielded twisted pair.
6. Layer 2.
7. Energy Efficient Ethernet is an enhancement to Ethernet that puts the high power transceivers which are on all the time to sleep during periods when data flow has stopped or is very infrequent. This saves considerable power.
8. CAT8 cable is now available but is not widely used.
9. EtherNet/IP and EtherCAT.
10. IEEE 1588 Precision Timing Protocol and Network Time Protocol.
11. Broadcom, Intel, Marvell.
12. PCs and laptops do have an Ethernet port but not tablets.

15-1 Investigating Other Serial Interfaces

1. These are only a few of the many: HART, Flexray, LIN, HDMI, MIL-STD-1553, JESD204.
2. HDMI is widely used with TV sets and other consumer electronics equipment.
3. Optical fiber.
4. HDMI.

16-1 Other Low Band Antennas

1. A loop antenna is desirable because of its small size, convenience, and portability.
2. Physically most loops are multiple turns of wire in a shielded tube about 3 feet in diameter.
3. About 9 or 10 feet.
4. Yes, but they are not as effective.

16-2 Antenna Modeling

1. Antenna modeling is the mathematical simulation of antennas and their RF performance.
2. Software.
3. EZNEC is a popular antenna simulation software program widely used by amateur radio operators and others.
4. Antenna Magus, HFWorks, and many others.

16-3 Discovering Near Vertical Incidence Skywave

1. NVIS is the process of using a horizontal antenna with the earth as a reflector to aim RF signals upward to that short range communications can be facilitated.
2. 1 to 30 MHz is common.
3. High frequencies in the 1 to 30 MHz range use the refracted sky wave to achieve long range communications. Short-range communications (less than about 400 miles) are usually not possible or greatly compromised. NVIS solves this problem.

4. Usually a horizontal dipole with a ground reflector or a separate reflector wire below the dipole.
5. No.
6. Short-range amateur radio or military communications.

17-1 Internet Details

1. Internet Corporation for Assigned Names and Numbers (ICANN).
2. GoDaddy, 1&1, Microsoft, Yahoo, many others.
3. IPv4 is still the most used but IPv6 use is growing.
4. International Telecommunications Union (ITU) G.709.
5. Transport Layer Security (TLS) and Secure Sockets Layer (SSL).

18-1 Exploring millimeter waves

1. Analog Devices, Texas Instruments.
2. Currently about 30 GHz. Depends on power level.
3. pHEMT.
4. 100 watts. This keeps improving.
5. Radar, 5G cell phones, satellites.
6. The limitations of mmWaves are primarily short range and higher costs.

19-1 Amateur Radio Satellite Operation

1. Uplink: 420 MHz, Downlink: 146 MHz
2. A dual-band transceiver 2 meters and 70 cm and dual-band antenna, usually a Yage.
3. FM and SSB.
4. The satellite is in view only 10 to 20 minutes because being a low earth orbiting satellite it is traveling very fast and goes out of range quickly.
5. A Cubest is small satellite package (10 × 10 × 10 cm) designed for low cost and light weight that is relatively easy and less expensive to launch.

19-2 Global Positioning System

1. Surveying, fitness run distance measurement, farming, mapping.
2. Cell phone base stations.
3. Trimble and Magellan.
4. Broadcom, Maxim Integrated, ST Microelectronics, Texas Instruments, others.
5. -120 to -185 dBm.
6. Yes, the GPS receiver would need to feed its output to a transmitter such as a cell phone to track the vehicle.

20-1 Fiber Optic Alternatives

1. True.
2. 10GE - 802.3ae, 40GE - 802.3ba/bm, 100GE - 802.3ba, bj.
3. High Definition Multimedia Interface (HDMI) is a fast copper cable and interface used mainly for video connections to HDTV sets, cameras, PCs, laptops and other video equipment.
4. Differential copper wire pairs. Most cables are 5 meters or less but up to 15 meters. Maximum speed with 8B/10B encoding varies with version: 1.65, 3.4, or 6 Gbps.
5. InfiniBand defines a cable and interface for connecting high speed computers, servers in data centers, and storage area networks.
6. InfiniBand uses a dual differential pair cable with lengths of 7, 10, or 20 meters. Maximum speeds are 2.5 to 50 Gbps depending on coding, version, and cable length.
7. Thunderbolt is a cable and interface option for connecting high-speed (e.g., video) peripherals to computers.
8. Thunderbolt cable uses four differential pairs for full-duplex operation. Maximum length is 3 meters.

Data rate is 10 Gbps per pair for a total of 20 Gbps.

21-1 Investigating the SIM Card

1. Subscriber Identity Module. It identifies and authenticates a specific user.
2. It plugs into a slot on most GSM/WCDMA/LTE cell phones.
3. No, but CDMA phones have a similar module (Universal Integrated Circuit Card - UICC).
4. A programmable memory and interface chips.
5. Yes.

21-2 Investigate the Base Station

1. Node B describes the older GSM/WCDMA base station transceivers. It is controlled by a unit called the radio network controller (RNC).
2. The term eNode B means evolved Node B. It is made up of the LTE transceivers in base stations. No RNC is used.
3. Radio Access Network (RAN) is all the equipment between the cell phone user and the core cellular network.

22-1 Wireless Alliances

1. The number varies over time, and some organizations do not release that information.
2. For Bluetooth there are dozens of profiles. Some include health/medical monitoring (temperature, heart rate, blood pressure), printing, human interface devices (HID), wireless headset, hands-free vehicle communications, audio distribution, and basic cable replacement and file transfer. For ZigBee the main categories of applications are building automation, remote control, Smart Energy, health care, home automation, input devices, lighting control, retail services, telecom services, and network connectivity.

3. 2.4-2.5 GHz.
4. By using different frequencies and special “co-existence” techniques to mitigate interference.
5. No.
6. Promote, support, and manage the standard.
Testing and certification for interoperability.

23-1 Test Equipment Suppliers

1. Keysight Technologies (formerly Agilent), Tektronix, Rhode & Schwarz, Anritsu, Aeroflex, National Instruments.
2. All offer many excellent white papers, tutorials, and application note worthy of download.
3. A PXI module is a small test instrument designed to plug into a main chassis to be grouped with other related instruments.

The Code of Federal Regulations and the Federal Communications Commission

THE CODE OF FEDERAL REGULATIONS AND page C-2 **THE FEDERAL COMMUNICATIONS COMMISSION**

Anyone working in the field of communications should be familiar with the laws that govern all radio and other types of communications in the United States. There are times when you must know what regulations apply to a particular system or situation. While there are volumes of regulations, they are relatively easy to acquire and read. They make excellent reference for the communications practitioner.

The specific Code of Federal Regulations (CFR) pertinent to communications is Part 47 Telecommunications. It is published in these chapters, which are subdivided into parts, as follows:

- Chapter I Federal Communications Commission (Parts 0-199)
- Chapter II Office of Science and Technology Policy and National Security Council (Parts 200-299)

Chapter III National Telecommunications and Information
Administration, Department of Commerce (Parts
300-399)

The one of greatest interest is Chapter I concerning the FCC regulations. Specific parts can be purchased to correspond to a given area of interest or specialization.

Some of the parts of greatest interest are:

- Part 2 Frequency allocation and radio treaty matters;
general rules and regulations.
- Part 13 Commercial Radio Operators
- Part 15 Radio Frequency Devices
- Part 18 Industrial, Scientific and Medical Equipment
- Part 90 Private Land Mobile Radio Services
- Part 95 Personal Radio Services
- Part 97 Amateur Radio Service
- Part 99 Personal Communications Services

The different parts usually come packaged in softcover books. The books for Parts 0-19, Part 68, and Parts 80-100 are the most useful.

For current information on the latest versions, prices, and placing orders, contact:

U.S. Government Printing Office
Mail Stop: SSOP
Washington, DC 20402-9328
(202) 783-3238

The Federal Communications Commission is also available to answer specific questions about rules and regulations:

Federal Communications Commission
1919 M Street
Washington, DC 20554

(202) 632-5050 or 632-0002

The FCC also maintains offices in many of the larger cities in the United States. To check for a local FCC office, use your telephone directory and look under the general heading of U.S. Government Offices.

Finally, the FCC maintains a huge website which is quite useful to check specific rules and regulations and to get updates on the daily changes that occur in the dynamic communications field. It is worthwhile to spend some time exploring this website doing some searches of interest to you. Go to www.fcc.gov.

Other useful information, especially related to spectrum, can be found at the National Telecommunications and Information Administration (NTIA). Their website address is: www.doc.ntia.gov.

Licensing and Certification for Communications Technicians

LICENSING AND CERTIFICATION FOR page D-2
COMMUNICATIONS TECHNICIANS

Introduction

There are a number of organizations that have established licensing and certification programs. Each organization provides verification that technicians have the knowledge and competencies to work in the communications field. Local employers can advise instructors on licensing and certification requirements. A certification or license may also be required by state or federal regulations.

Even when employers do not require a specific license or certification, technicians should seriously consider obtaining these credentials to improve their credibility. Licenses and certifications are excellent additions to any technician's resume. Possession of these relevant documents tells prospective employers that these technicians meet the

minimum standards for employment in specific communications fields.

Technicians currently working in their chosen communications field should continue to seek additional certifications and licenses. Increased knowledge and experience provide the vehicle for promotions and are an aid when seeking new employment.

Working toward Licensing or Certification

Most of the licenses and certifications can be obtained by simply demonstrating your knowledge and skills rather than meeting specific educational or experience requirements. The organization providing the certification must ascertain that the individual has the required qualifications, including knowledge, skills, and experience. These organizations use tests and verifications of education and experience to determine and verify qualifications. Individuals without college or technical degrees may be able to obtain employer-recognized credentials without additional schooling. The individual must contact the appropriate organization which will examine their qualifications for certification.

Instructors may wish to advise students to contact the appropriate organizations. Students and instructors should first identify which credentials and licenses represent a match between employers and the technician's qualifications. The next step is to write or call for information on those credentials of interest.

If tests are required, the technicians should obtain study guides that most organizations sell to help them prepare. Some publishers also offer review books with sample tests.

Instructors should encourage students and technicians to thoroughly prepare for these exams. They should then make

formal application for the credential. All of the sponsoring organizations require a payment for the test or an application fee. This payment is nonrefundable, even if students fail the exam. Most organizations will let them take the exam again for an additional fee.

As individuals review the material from the various organizations, they will be surprised to find that most of these certification and licenses cover essentially the same subject material. They include technician-level electronic fundamentals and basic communications circuits, equipment, and practices. If they can pass one of these exams, they will probably be able to pass others, as well. Some certifications do require specialized knowledge that may require additional knowledge of governmental regulations.

FCC License

www.fcc.gov/commoperators/welcome.html

By far the most widely recognized and coveted communications credential is the FCC General Radiotelephone Operator's License or GROL. The Federal Communications Commission (FCC) grants numerous licenses for those working in radio communications. These do not require technical knowledge, only familiarity with accepted operating procedures and relevant rules and regulations.

The GROL is required by individuals who operate, install, repair, maintain, and/or service marine, and aircraft equipment, and coastal marine stations. Technicians do not need this license to repair and maintain AM/FM/TV broadcast stations, two-way mobile and hand-held radios, CB radios, or any other type of communications equipment. However, many employers who deal with such equipment frequently

require their employees to have this license. When seeking employment, it is important to determine if the employer requires the GROL.

GROL Endorsements

There are also several specialty endorsements to the GROL including the ship's radar endorsement and the Global Marine Distress and Safety Systems (GMDSS) endorsement. Both are required by certain types of marine operators and technicians. The ship radar endorsement has coverage of microwave principles, radar techniques, and equipment. The GMDSS is an excellent addition to the GROL. The FCC license is excellent evidence of the technician's general electronic and communications knowledge. Many employers demand that their employees have this license and use it as a screening credential for hiring and promotions.

Test Administration

The FCC used to give the exams, but today delegates the exam administration to private firms called Commercial Operator License Examination Managers (COLEMs). The current COLEMs are listed below. Instructors and technicians may contact them regarding examination costs, schedules, and procedures.

Electronic Technicians Association International, Inc.

www.eta-sda.com

Elkins Institute, Inc.

www.elkinstraining.com

International Society of Certified Electronics Technicians (ISCET)

www.iscet.org

The National Association of Radio Telecommunications Engineers, Inc. (NARTE)

www.narte.org

The W5YI Group, Inc.

www.w5yi.org

Study Guides

The FCC publishes a book containing all of the possible test questions on the exams to help you prepare. These books can usually be purchased from the COLEMs. Several book publishers also produce useful study guides.

Certification Organizations

Most certifications are offered by nonprofit professional societies and associations. The certification programs are designed to boost the status of their members. A list of certifications available in the communications field follows.

International Society of Certified Electronic Technicians (ISCET)

www.iscet.org

This organization offers several classes of certification depending upon an individual's experience, including an associate certification for those just entering the field. It also offers certifications in communications, consumer electronics, computers, and industrial electronics.

Computing Technology Industry Association

www.comptia.com

Networking Certifications: Network+, Server+, i-Net+, Security+, and A+.

Electronic Technician Association-International

www.eta-i.org/electronics.html

Multiple levels of certification covering most areas of electronics

National Association of Radio and Telecommunications Engineers (NARTE)

www.narte.org

The certifications offered are for those working in the broadcast and telephone fields.

Society of Broadcast Engineers, Inc. (SBE)

page D-4

www.sbe.org

This organization certifies engineers and technicians in radio and TV broadcast, satellites, and microwaves.

Society of Cable/Telecommunications Engineers (SCTE)

www.scte.org

Technicians working in the field of cable TV require this certification. It is offered for both engineers and technicians.

Communications Magazines and Periodicals

COMMUNICATIONS MAGAZINES AND PERIODICALS

Communications is a dramatically growing and continuously changing field. New products, techniques, components, circuits, equipment, and methods are introduced almost daily. The successful electronics professional must constantly read the emerging literature. Students, instructors, and communication practitioners must refresh their knowledge continuously. *Principles of Electronic Communication Systems* provides a base of knowledge for students to begin their study of communications.

One of the best ways with which to keep knowledge current is to read the relevant magazines. There are many from which to select. Listed below are some of the magazines published in this field. It is not an exhaustive list, but most of the common and popular periodicals are listed. Some are available at local magazine stands or bookstores.

Many of the trade journals are free to qualified subscribers. They are what is known as controlled circulation magazines and make their money from advertisers who want to reach a specific audience focused upon the field of interest. This means that a person must work for a company in a technical or managerial job directly related to the subject of the magazine. To obtain a free subscription, individuals must fill in a rather complete marketing questionnaire about the job, business, and related issues. Many of the magazines are widely available to the general public. Most current issues are posted on the magazine's websites. Many publications also have on-line newsletters you can subscribe to. Go to the stated website to read the latest issues or subscribe.

The pertinent communications, popular electronics, and related computer magazines are as follows:

Circuit Cellar

www.circuitcellar.com

Popular engineering and experimenters magazine. The focus is on embedded controllers, but there is lots of communications and networking coverage.

CQ

www.cq-amateur-radio.com

CQ is the second-oldest ham magazine. It primarily features ham activities but does include some technical communications articles.

EE Times

www.eet.com

An online website and publication covering all of electronics. Good communications coverage.

EDN

www.edn.com

An online website and publication for the design engineer. It occasionally includes communications articles.

Electronic Design

www.electronicdesign.com

This publication and website are for engineers who design electronic equipment. It occasionally features communications-related articles. (The author is a contributing editor for this magazine.)

Evaluation Engineering

www.evaluationengineering.com

This magazine emphasizes testing. Good coverage of EMI, RFI, and EMC.

GPS World

www.gpsworld.com

An entire magazine devoted to the Global Positioning System.

IEEE Spectrum, IEEE Communications

page E-3

And

IEEE Transactions on Communications

Institute of Electrical and Electronic Engineers

www.ieee.org, www.comsoc.org

IEEE Spectrum is the primary magazine published by the IEEE covering communications topics.

IEEE Communications is the publication of the Communications Society.

IEEE Transactions on Communications publishes scholarly articles on communications research and

recent developments. It is highly mathematical and appeals to the research professional.

As the title implies, this is a general publication on local area networks, internetworking, and related topics. It also contains LAN news, products, columns, and technical articles.

Microwaves and RF

www.mwrf.com

Radio designers are the intended audience for this publication. It also covers microwaves.

Microwave Journal

www.mwjjournal.com

This magazine is for those who design and work with microwave circuits and equipment.

Microwave Product Digest

www.mpdigest.com

Excellent coverage of new products and technologies.

Nuts and Volts

www.nutsvolts.com

This magazine contains interesting and relevant classified advertisements for hobbyists and experimenters. It includes technical articles and columns on communications subjects. (The author is a contributing editor to this magazine.)

QST and QEX

www.arrl.org

QST is the premier amateur radio magazine published by the American Radio Relay League, which is an association of ham radio operators. This magazine

was first published at the beginning of World War I in 1914. It covers typical ham activities but is loaded with excellent radio communications articles, both tutorial and construction projects.

QEX is a more in-depth magazine formerly called Communications Quarterly.